

华菱汽车备件目录图册

HUALING AUTOMOBILE SPARE PARTS MANUAL

中 册
VOLUME 2

安徽华菱汽车股份有限公司
ANHUI HUALING AUTOMOBILE CO.,LTD

前 言

华菱汽车是安徽华菱汽车股份有限公司在日本三菱重型卡车技术平台上自主研发的系列中高档重型卡车，包括了进口及国产多种功率发动机、多种变速箱、多种重型承载桥、多种轴距、多种驱动型式等。

本备件目录是参考安徽华菱汽车股份有限公司技术中心系列华菱汽车产品明细表编制的，它包含了华菱汽车股份有限公司现生产华菱汽车的部分车型的几乎所有部件，可供华菱汽车售后服务人员、华菱汽车用户订购汽车零部件及熟悉汽车结构用。

参照本手册可以找到您所需要的华菱汽车配件，及时解决故障。有时由于产品改进，您也有可能发现与书中不同的华菱汽车配件存在，使用时要确认车型及生产日期、批号，以保证您能够找到正确的配件。

由于时间关系，再加上参加编写的人员水平有限，本书中难免存在疏漏及错误之处，这里诚恳地欢迎您批评指正，以便在下次出版时更正，同时也为因此给您带来的不便表示真诚的歉意。

版权说明:

本书部分内容引用了配套件公司的资料，版权归原配套件公司所有，其他版权归安徽华菱汽车股份有限公司所有。

华菱公司保留对本手册进行改进的权利，如有变更，恕不另行通知。本手册最终解释权归安徽华菱汽车股份有限公司所有。

安徽华菱汽车股份有限公司
技术与开发中心
2007年6月10日

Preface

Hualing trucks are a series of middle and high-class heavy-duty trucks which are developed independently by Anhui Hualing Automobile Co.,Ltd on the technical platform of Mitsubishi (Japan)heavy-duty truck, including imported or domestic engines of various horsepowers, transmissions, heavy-duty axles,wheelbases and driving modes.

The manual is compiled according to the list of Hualing vehicle series from Technology Center of Anhui Hualing Automobile Co.,Ltd. It includes almost all parts of some models in production in the company and can be served for after-sale service personnel and customers to order spare parts, and enhance the familiarity with structure of trucks.

With reference to the manual, you can find the desired parts of Hualing trucks and clear malfunctions timely. Some Hualing parts may be different from those in the manual for the improvement of products. Therefore, vehicle model, production date and serial number should be confirmed priorly to ensure the right choice of parts.

Limited by time and knowledge of the compliers, the negligence and inaccuracy is inevitable in this manual. Your kindly comment and recommendation are much appreciated for the revision in next edition. Please accept our sincere apologies for the inconveniences hereby.

Explanation to Copyright:

The manual may quote our suppliers' information and its copyright is reserved by the relevant suppliers. Any other copyright is reserved by Anhui Hualing Automobile Co., Ltd.

Hualing company reserves the right to mend this manual without prior notice. The company's interpretation shall prevail.

Anhui Hualing Automobile Co., Ltd.
Technical Research & Development Center
Jun. 10, 2007

使用说明

1、华菱汽车是包含一百多种变型的系列产品，同时各车型采用模块式组合方式，所用总成通用化程度较高，且同一系列总成的零件通用化程度也高，因此本备件目录不是单一车型的备件目录，总成也不是单一总成产品的备件目录，而是适应所有变型产品的备件目录，其编排也是按照模块化结构，以总成为基本单元，总成的各种变型产品都包含在该基本单元内。例如发动机单元，不与某一车型直接挂钩，而是独立于各车型，将华菱汽车所常用的系列发动机如：康明斯发动机 C260 20、C300 20、L345 20、L37520、斯太尔发动机 WD615. 50、WD615. 31、WD615. 34、WD615. 38 等编在一个单元内。由于同一配套厂家的发动机属于系列产品，结构相同，同一系列不同机型的某一部分可共用一张零部件爆炸图，给备件目录的编排带来了方便，也便于了解该配套厂家不同机型发动机的结构部件的差别。车架装置图以基本型为基础进行命名，相似车型车架可在基本型装置图上查找，如 3200+1350 轴距牵引车车架总成以相应康明斯动力牵引车车架总成 28AH4DQ15-00010 为基本型，其余动力车型车架与其共用爆炸图。

2、本备件目录的查阅方法

- (1) 查看车辆识别代号及发动机铭牌，确定汽车车型代号、发动机型号及生产日期、批次，具体含义见《安徽华菱汽车股份有限公司车辆识别代号 (VIN) 编制规则》，了解本车型采用了哪些配置等基本信息。
- (2) 查阅《华菱汽车基本配置明细表》，根据车型查寻装用基本总成的型号名称。
- (3) 根据装用总成的型号名称查阅目录，确定所查总成装置图在本书中的图号及页次。
- (4) 基本配置明细表中没有的系统总成，查阅各总成爆炸图目录，确定所查系统总成爆炸图在本书中的图号及页次。
- (5) 对于型号唯一的总成可根据图上所注序号查出零件编号。
- (6) 对于有多种变型的总成可根据图上所注序号查出一个或多个零件编号，再根据适用产品可以唯一确定某种型号总成所用到的该种零件的编号。如下表：

Instruction

1. Hualing automobile is a series of products including more than 100 models. Owing to the module technique designed for various models, it has a high interchangeability in the complete assembly as well as parts of the same series assembly. Therefore, this manual is not a catalog of spare products for single vehicle model or single assembly but for all modified products. It is also compiled with the module technique. The assembly is taken as a basic unit which contains all modified products of the assembly. For example, the unit of engine is not connected with but independent on defined models. The common engine series used in Hualing vehicles, for example, CUMMINS engines C260 20, C300 20, L345 20 and L375 20, and WD615.50, WD615.31, STEYR WD615.34 and WD615.38 are listed in one unit. The engines supplied by the same producer are classified as one product series with same structure and some sections in various models of the same series may share one parts drawing. This facilitates the compilation of the manual and helps the understanding of the structural differences between the components of various engine models of one supplier. The drawing of frame is named according to its basic structure and the frames of similar models may be found at the basic drawing. For example, the frame assembly 28AH4DQ15-00010, used in the tractor equipped with CUMMINS engines, is the basic type of that in the 3200+1350-Wheel base-long tractor. Other tractors with different engines share the same frame drawing.

2. Searching in this spare parts manual

- (1) Check the identification number of the vehicle and the name plate of its engine to determine the model number of the vehicle, engine model, production date and batch number. For the detail information, see “Rules on Compilation of Vehicle Identification Number in Anhui Hualing Automobile Co.,Ltd” to understand the basic data such as the configuration of this model, etc.
- (2) Check “ Basic Configuration List Of HUALING Automobile” and determine the model of the basic assembly installed according to the model.
- (3) Search the target assembly drawing in the manual according to the model of the basic assembly and confirm its drawing number and page number in this manual.

- (4) In case of absence of the target assembly in the basic configuration list, search in the content of the assembly exploded drawings to determine the target assembly exploded drawing number and page number in this manual.
- (5) For the assembly with the definite model, its parts number can be found according to the item number marked on the drawing.
- (6) For the assembly with different models, one or more numbers can be found according to the item number marked on the drawing and the number of the installed part in the assembly model can be then determined solely according to the applicable product, as shown in the following table:

序号 No.	件号 Part No.	数量 Quantity	名称 Name	规格 Specification	适用产品 Products Applied	备注 Remark
1	28AD-01151	1	第五横梁 -1 Fifth Cross Member - 1		装三菱 6×4 驱动桥 6×4 MITSUBISHI Driving Axle	
	28A2D-01151	1	第五横梁 -1 Fifth Cross Member - 1		装斯太尔 6×4 驱动桥 6×4 STEYR Driving Axle	
	28A4D-01151	1	第五横梁 -1 Fifth Cross Member - 1		装 457 6×4 驱动桥 6×4 457 Type Driving Axle	

从表中可以查明装 457 6×4 驱动桥车架的第五横梁所用序号 1：第五横梁 -1 的零件编号为 28A4D-01151，数量为 1 件。

From the table above, the number of fifth cross member-1 used in the frame with 6×4 457 type driving axle is 1. Its part number is 28A4D-01151 and quantity is 1.

(7) 各总成爆炸图格式如下:

(7) The format of the exploded drawings of all assembly is as follows:

(Page Number)

10-5(页码) 华菱汽车备件目录图册 /HUALING AUTOMOBILE SPARE PARTS MANUAL

缸体组 (BB 9171)(爆炸图名称)/CYLINDER BODY(BB 9171) (Name Of Exploded Drawing)

10-B(图号)
(Drawing Number)

(附图)
(Attached Figure)

(8) 零件明细表格式如下:

(8) The format of the part list is as follows:

(Page Number)

发动机系统 (系统名称, 仅限明细表)/ENGINE SYSTEM (NAME,ONLY FOR LIST)68-8(页码)

序号 No.	件号 Part No.	数量 Quantity	名称 Name	规格 Specification	适用产品 Products Applied	备注 Remark
1	3909025	6	六角法兰面螺栓 Hexagon Bolt With Flange		L375 20	
2	3944153	7	曲轴瓦下瓦 Crankshaft Lower Bearing Shell		L375 20	
3	3944158	6	曲轴瓦上瓦 Crankshaft Upper Bearing Shell		L375 20	
					若该栏为空则所有产品均适用 If this column is empty,it applys for all products	

3、 例外说明

- (1) 华菱汽车除了基本配置总成外，还根据需要选装其他型号总成，如驾驶室翻转机构，由几个配套厂家供货，型号及形式不同，但可以通用，查阅时应确认所认购车型是否采用了特殊选用装置。如是，则应查阅该选装总成的配置图及零件明细表。
- (2) 个别总成中分总成也存在多项选择，如发动机喷油泵有 BOSCH 泵和无锡欧亚泵，查阅有关备件时应先确认发动机装用何种泵。
- (3) 传动轴总成备件目录以车型为基础编制，根据目录查到传动轴部分，找到所查车型号，即可在该车型下查到传动轴总成编号。由于传动轴也为系列产品，仅轴管长度不同，其它件相同。因此在查到传动轴总成编号后，如需查阅零件，则在总成备注栏查出以万向节直径为代号的标志如“ $\phi 52$ ”，然后在目录中查出“传动轴部件”的页次，在该页即可查到该“ $\phi 52$ 型传动轴”总成的零件编号。
- (4) 在某一机型中同一序号上有多个零件编号时，如无说明，则表明不同编号的零件互相通用，可任选其一。
- (5) 代表零件的唯一正确标志是零件编号，购买配件时，在配件目录中查到该部件确认后，应写明零件编号、名称及数量。
- (6) 对具有多种变型的总成，如驾驶室的各组成部件，在名称、适用产品或备注栏中无特别说明时，则表明该部件所有驾驶室通用。
- (7) 书中适用产品栏主要用来说明零件的适用范围，可以根据总成不同有不同的表述，以清楚明了为原则，若该栏为空则所有产品均适用。
- (8) 备注栏主要用于说明其它栏没有说明的事项，视情况决定是否注明。
- (9) 由于篇幅有限，所以并不是把所有的华菱汽车的基本配置都列在了本备件目录中，只是给出了有代表性的关键配置，查不到的关键总成见其单行本，由此造成的不便敬请谅解。

安徽华菱汽车股份有限公司
技术与开发中心
2007年6月10日

3. Exception

- (1) In addition to the general assembly of basic configuration, other models assembly may be selected on demand. For example, the cab tilting devices are provided by several suppliers. Although their models and structures are different, they can be replaced with each other. While searching in the manual, it shall be confirmed whether the special devices are installed in the selected vehicle model. If installed, the configuration drawings and part list relating to this assembly shall be referred.
- (2) In some assemblies, the multiple options may be possible. For example, there are two types of oil pumps in the engine, BOSCH pump and Wuxi Eurasia pump. Which pump is installed in the engine shall be confirmed prior to the searching of the spare parts.
- (3) The manual of the driving shaft assembly is compiled according to vehicle model. Find the model code of the vehicle in the part of propeller shaft first, then the number of its propeller shaft assembly can be found in this model. The propeller shafts are also series products and different only in length. Therefore, if a part is to be searched after general assembly code of propeller shaft is determined, just find the mark like “Φ52” which is coded by the diameter of the universal joint in remark column of the general assembly. Then the page number of the propeller shaft components in the manual, and finally the part number of the “Φ52 type propeller shaft” assembly can be found in this page.
- (4) Unless otherwise mentioned, the part numbers given for the same item number in one model are replaceable and optional.
- (5) The sole correct sign for parts is its code. Therefore, the part number, name and quantity of a component shall be recorded after it has been confirmed in the spare parts manual.
- (6) For assemblies with more varieties such as components of driver cab, they are suitable for all cabs unless otherwise mentioned in column of name, product applied or remark.
- (7) The column of products applied is mainly used to describe applicable range of the parts. The description may be different due to different general assembly with the principle of clear description. If the column is blank, the corresponding part is applicable to all products.
- (8) The remark column is mainly used for the matters not mentioned in other columns. Whether it is applicable or not depends on the actual situations.
- (9) Limited by length of the manual, not all basic configurations of Hualing vehicles are listed and only typical key configurations are given. For key assemblies not included in this manual, refer to its separate edition and we apologize to you for inconvenience hereby.

Anhui Hualing Automobile Co., Ltd.
Technical Research & Development Center
Jun. 10, 2007

安徽华菱汽车股份有限公司车辆识别代号 (VIN) 编制规则

Coding Rules of Vehicle Identification Number (VIN) in Anhui Hualing Automobile Co.,Ltd

车辆识别代号的内容与构成 /Contents and Components of VIN

L	Z	5	M	1	A	B	1	1	1	A	0	0	0	0	0	1
1	2	3	4	5	6	7	8	9	10	11	12	13	14	15	16	17
制造商 Manufacturer			驾驶室类型 Driver Cab Type	车辆类型 Vehicle Type	发动机类型 Engine Type	最大总质量或车辆长度 Max. Total Mass Or Vehicle Length	驱动形式或发动机布置形式 Diving Mode Or Engine Arrangement Type	检验位 Inspection Locations	年份 Year	装配厂 Assembling Factory	生产顺序号 Production Serial Number					

1 第一部分：世界制造厂识别代号 (WMI) /Section I: World Manufacturer Identifier (WMI)

第①~③位代码——世界制造厂识别代号 (WMI) /Codes of position 1 to 3: World Manufacturer Identifier (WMI)

代码 Code	制造厂名称 Manufacturer
LZ5	安徽华菱汽车股份有限公司 Anhui Hualing Automobile Co., Ltd.

2 第二部分：车辆说明部分 (VDS) /Section II: Vehicle Descriptive Section (VDS)

第④位代码——车身、驾驶室 /Code of position 4: Vehicle Body And Cab

代码 Code	产品特征 Product Description	代码 Code	产品特征 Product Description
M	平头驾驶室 Forward Control Cab	N	平顶驾驶室 Flat Roof Cab
P	长头驾驶室 Conventional Cab	Y	长头带卧铺驾驶室 Conventional Sleeper Cab
R	高顶驾驶室 High Roof Cab	S	平头双排座驾驶室 Forward Double Cab
T	平头单排座驾驶室 Forward Single Cab	U	客车单门 Single-Door Of Bus
V	客车双门 Double-Door of Bus	W	窄体驾驶室 Narrow Body Cab
X	客车及三类底盘 Bus And Class III Chassis		

第⑤位代码——车辆类型 /Code of Position 5: Vehicle Type

代码 Code	产品特征 Product Description	代码 Code	产品特征 Product Description
1	客车 Bus	2	货车二类底盘 Truck With Class II Chassis
3	客车三类底盘 Bus With Class III Chassis	4	半挂牵引车 Semitrailer Tractor
5	货车 Truck		

第⑥位代码——发动机类型 / Code of Position 6: Engine Type

代码 Code	燃油类型 Fuel Type	排量 (L) Displacement (L)	代码 Code	燃油类型 Fuel type	排量 (L) Displacement (L)
A	柴油 Diesel	$3 < L \leq 5$	B	柴油 Diesel	$5 < L \leq 8$
C	柴油 Diesel	$8 < L \leq 11$	D	柴油 Diesel	$11 < L \leq 14$
E	柴油 Diesel	$14 < L \leq 17$	F	天然气 Natural Gas	$5 < L \leq 8$

第⑦位代码——货车及其底盘用最大总质量 (T) 表示, 客车及其底盘用车辆长度 (L) 表示

Code of Position 7: T Indicates Max. Total Weight Of Truck And Its Chassis, L Indicates Vehicle Length Of Bus And Its Chassis

货车 (自卸、牵引、越野) 及底盘 (单位: T) Truck (Dumper, Tractor, Off-Road) And Chassis (In Tons)			
代码 Code	最大总质量 Max. Total Weight	代码 Code	最大总质量 Max. Total Mass
A	$10 \leq T < 15$	B	$15 \leq T < 20$
C	$20 \leq T < 25$	D	$25 \leq T < 30$
E	$30 \leq T < 35$	F	$35 \leq T < 40$
G	$40 \leq T < 45$	H	$45 \leq T < 50$
J	$50 \leq T < 55$		

客车及客车底盘 (单位: m) Bus And Chassis (In Meters)			
代码 Code	车辆长度 Vehicle Length	代码 Code	最大总质量 Max. Total Mass
1	$5 \leq L < 7$	2	$7 \leq L < 9$
3	$9 \leq L < 11$	4	$11 \leq L < 13$
5	$13 \leq L < 15$	6	$L > 15$

第⑧位代码——驱动形式及发动机布置形式 / Code of Position 8: Driving Type and Engine Arrangement Type

驱动形式 (货车及二类底盘、半挂牵引车) Driving Type (Truck And Class II Chassis, Semitrailer)			
代码 Code	驱动形式 Drive Type	代码 Code	驱动形式 Driving Type
1	4×2	2	4×4
3	6×4	4	6×2
5	8×4	6	10×4
7	6×6	8	8×8
9	8×2	A	8×6

代 码 Code	驱 动 形 式 Driving Type	代 码 Code	驱 动 形 式 Driving Type
B	10×2	C	10×6
D	10×8	E	10×10
发动机布置形式（客车及三类底盘） Engine Arrangement Type (Bus and Class III Chassis)			
代 码 Code	发 动 机 位 置 Engine Position	代 码 Code	发 动 机 位 置 Engine Position
1	前置 Front	2	中置 Middle
3	后置 Rear		

第⑨位代码——检验位 /Code of Position 9: Inspection Location

3 第三部分：车辆指示部分 (VIS) /Section III: Vehicle Indicator Section (VIS)

第⑩位代码——年份 /Code of Position 10: Year

年份 Year	代码 Code	年份 Year	代码 Code	年份 Year	代码 Code	年份 Year	代码 Code
1999	X	2002	2	2005	5	2008	8
2000	Y	2003	3	2006	6	2009	9
2001	1	2004	4	2007	7	2010	A

第⑪位代码——装配厂 /Code of Position 11: Assembling Factory

代码 Code	含义 Description	代码 Code	含义 Description
A	湖南衡阳工厂 Hunan Hengyang Factory	B	安徽马鞍山工厂 Anhui Ma'anshan Factory

第⑫～⑰位代码——生产顺序号 /Codes Of Position 12 to 17: Production Serial Number

4 车辆识别代号的标记位置和固定方式 /Marking Location and Fixing Method of VIN

- 1) VIN 直接打刻于车架上，N 类车型位于车架右纵梁中前部；M 类车型位于车架右纵梁前部。其他要求见附录 A。
 - 2) VIN 直接打刻在整车标牌上，N 类车型的标牌铆接在驾驶室右侧，二级踏板上方；M 类车型的标牌铆接在右侧门踏板附近。其他要求见附录 A。
 - 3) 另见附录 A 车辆识别代号标记型式申报表、车辆识别代号标记位置和固定方式申报表。
- 1) VIN is directly engraved on the vehicle frame, at middle-front area of main sill (right) in case of N type vehicle model and at front area of main sill (right) in case of M type. For other requirements, refer to annex A.
 - 2) VIN is directly engraved on the name plate of the vehicle, above the secondary pedal at the right side of the cab in case of N type vehicle model and near the right door pedal in case of M type. For other requirements, refer to annex A.
 - 3) Also refer to Application Form VIN Marking Application Form and Table of VIN Marking Location and Fixing Method in Annex A.

附 录 A/Annex A
(规范性附录) / (Normative)
申请表 /Application Form

车辆识别代号标记型式申报表

Application Form of VIN Marking Type

车辆生产企业名称: 安徽华菱汽车股份有限公司

Name of Manufacturer: Anhui Hualing Automobile Co., Ltd.

企业标准代号: Q/HLJ1-2006

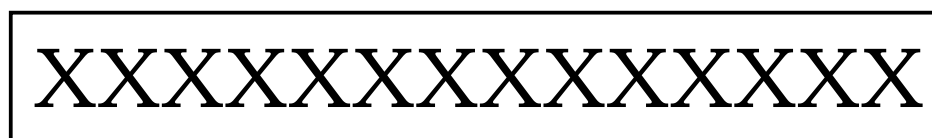
Standard Code Of Enterprise: Q/HLJ 1-2006

车辆类型: N 及 M

Vehicle Type: N And M

生效日期: 2006 年 10 月 1 日

Effective Date: Oct. 1,2006



车辆识别代号标记型式示意图 /Illustration Of VIN Marking Type

车辆识别代号标记型式说明 /Description Of VIN Marking Type

直接打刻在大梁上的 VIN 代码字高 8mm, 字宽 6mm; /VIN code directly engraved on the main sill: 8mm high, 6mm wide;

标记在标牌上的 VIN 代码字高 6mm, 字宽 4mm; 标牌使用不锈钢材质, 标牌长度 16cm, 宽度 10cm。/VIN code marked on the name plate: 6mm high, 4mm wide; name plate: stainless steel, 16cm long, 10cm wide.

车辆识别代号标记位置和固定方式申报表

Application Form of VIN on Marking Location and Fixing Method

车辆生产企业名称及类型: 安徽华菱汽车股份有限公司

Name And Type Of Manufacturer: Anhui Hualing Automobile Co., Ltd.

企业标准代号: Q/HLJ

Standard Code Of Enterprise: Q/HLJ 1-2006

车辆类型: N 及 M

Vehicle Type: N And M

生效日期: 2006 年 10 月 1 日

Effective Date: Oct. 1,2006

说明 /Note:

N 类车型的标牌固定在驾驶室右侧，二级踏板上方，采用铆接方式固定；打刻在大梁上的 VIN 代码位于大梁右侧中前部。

In case of N type vehicle, the name plate is riveted above the secondary pedal at the right side of the cab; the VIN code engraved on the main sill (right) is located at the middle-front area.

M 类车型的标牌固定在右侧门踏板附近，采用铆接方式固定；打刻在大梁上的 VIN 代码位于大梁右侧前部。

In case of M type vehicle, the name plate is riveted near the right door pedal; the VIN code engraved on the main sill (right) is located at the front area.

华菱汽车基本配置明细表

BASIC CONFIGURATION LIST OF HUALING AUTOMOBILE

华菱汽车基本配置明细表

BASIC CONFIGURATION LIST OF HUALING AUTOMOBILE

车型名称 Model Name	前轴 Front Axle				驱动桥 Driving Axle				发动机 Engine							取力器 Power Take-Off		
	分度圆直径 Graduated Circle Diameter 解放刚性前桥 JIEFANG Steel Front Axle		分度圆直径 Graduated Circle Diameter 泰州刚性前桥 TAIZHOU Steel Front Axle		457 单后桥 457 Single Rear Axle	STEYR 单后桥 STEYR Single Rear Axle	457 串联桥 457 Tandem Axle	STEYR 串联桥 STEYR Tandem Axle	C260 20	C300 20	L345 20	L375 20	WD615.31	WD615.34	WD615.38	WD615.50	康明斯取力器 CUMMINS Power Take-Off	斯太尔取力器 STEYR Power Take-Off
	φ 285.75	φ 335	φ 285.75	φ 335														
HN1210P26E3MJ		○		○	4.875				√									
HN1250G4DJ		○		○			4.875			√								
HN1250G26E8MJ		○		○			4.875		√									
HN1310G3DJ		○		○				5.73							√			
HN3220P28D7M		○		○				4.80					√					
HN3250P26D4MJ		○		○				5.73								√		
HN3250P34C6MJ		○		○				5.73					√					
HN3250P35D4MJ		○		○				5.73					√					
HN3250P34C6M		○		○				5.73			√						√	
HN3250P34C6M		○		○				5.73							√			
HN3250G6D		○		○				5.833			√							
HN3250P34C6MJ		○		○				5.833						√				√

注：“√”代表基本配置，“○”代表定货时可选配置。

Note: “√” Standard, “○” Optional

华菱汽车基本配置明细表

BASIC CONFIGURATION LIST OF HUALING AUTOMOBILE

车型名称 Model Name	离合器 Clutch						变速箱 Transmission				转向器 Steering Gear		ABS	车架（以轴距为分类标准） Frame(Classified By Wheelbase)												备注 Remark
	FD430A-175	FD430A-195	FD430A-195H	FD430A-225	FD430A-L30	SACHS	9JS119	9JS150T-B	12JS160T	RT-11509C	ZF8098	ZJ110	4S/4M D-BASIC	3600+1350	4400+1350	4100+1350	3200+1350	3400	4710+1350	5220+1350	5850+1350	1850+3370+1350	1850+4000+1350	1850+4605+1350	1850+5310	
HN1210P26E3MJ		√								○	○															√
HN1250G4DJ		√								○	○									√						
HN1250G26E8MJ		√						√		○	○										√					
HN1310G3DJ					√				√	○	○													√		
HN3220P28D7M				√						○	○								√							
HN3250P26D4MJ		√							√	○	○			√												
HN3250P34C6MJ				√					√	○	○		√													
HN3250P35D4MJ				√				√		○	○				√											
HN3250P34C6M				√						○	○		√													
HN3230P4C6W		√								○	○		√													
HN3250G6D		√								○	○		√													
HN3250P34C6MJ				√					√	○	○		√													

注：“√”代表基本配置，“○”代表定货时可选配置。

Note: “√” Standard, “○” Optional

华菱汽车基本配置明细表

BASIC CONFIGURATION LIST OF HUALING AUTOMOBILE

车型名称 Model Name	前轴 Front Axle				驱动桥 Driving Axle				发动机 Engine						取力器 Power Take-Off			
	分度圆直径 Graduated Circle Diameter 解放刚性前桥 JIEFANG Steel Front Axle		分度圆直径 Graduated Circle Diameter 泰州刚性前桥 TAIZHOU Steel Front Axle		457 单后桥 457 Single Rear Axle	STEYR 单后桥 STEYR Single Rear Axle	457 串联桥 457 Tandem Axle	STEYR 串联桥 STEYR Tandem Axle	C260 20	C300 20	L345 20	L375 20	WD615.31	WD615.34	WD615.38	WD615.50	康明斯取力器 CUMMINS Power Take-Off	斯太尔取力器 STEYR Power Take-Off
	φ 285.75	φ 335	φ 285.75	φ 335														
HN3270P34DLMJ		○		○			5.73			√								
HN3270P5DLWJ		○		○			5.730								√			
HN3310P34C3MJ		○		○			5.73					√						
HN3310P34C3MJ		○		○			5.73						√					
HN3310P34C3MJ		○		○			5.833			√						√		
HN4180G1C4W		○		○		4.800				√								
HN4180G6D		○		○		4.8									√			
HN4180G1C4W		○		○		4.800							√					
HN4250G4CLW		○		○			4.8			√								
HN4250G38CLM		○		○			4.80							√				
HN4250G38CLM		○		○			4.80				√							
HN3250P26D4M		○		○			5.833								√			

注：“√”代表基本配置，“○”代表定货时可选配置。

Note: “√” Standard, “○” Optional

华菱汽车基本配置明细表

BASIC CONFIGURATION LIST OF HUALING AUTOMOBILE

车型名称 Model Name	离合器 Clutch						变速箱 Transmission				转向器 Steering Gear		ABS	车架（以轴距为分类标准） Frame(Classified By Wheelbase)												备注 Remark		
	FD430A-175	FD430A-195	FD430A-195H	FD430A-225	FD430A-L30	SACHS	9JS119	9JS150T-B	12JS160T	RT-11509C	ZF8098	ZJ110	4S/4M D-BASIC	3600+1350	4400+1350	4100+1350	3200+1350	3400	4710+1350	5220+1350	5850+1350	1850+3370+1350	1850+4000+1350	1850+4605+1350	1850+5310			
HN3270P34DLMJ				√				√				○	○													√		
HN3270P5DLWJ		√										○	○													√		
HN3310P34C3MJ				√						√		○	○												√			
HN3310P34C3MJ				√						√		○	○												√			
HN3310P34C3MJ				√				√				○	○											√				
HN4180G1C4W				√				√				○	○	○					√									
HN4180G6D		√										○	○	○					√									
HN4180G1C4W				√						√		○	○	○					√									
HN4250G4CLW				√						√		○	○	○														
HN4250G38CLM					√				√			○	○	○														
HN4250G38CLM					√					√		○	○	○														
HN3250P26D4M		√					√					○	○															

注：“√”代表基本配置，“○”代表定货时可选配置。

Note: “√” Standard, “○” Optional

目 录 CONTENT

10、发动机系统 /ENGINE SYSTEM

图号 No. Of Figure	名称 Name	适用产品 Products Applied	备注 Remark	页次 Page
10-A	参数牌组 (AP9481) PARAMETER PLATE SET(AP9481)	L375 20、L345 20		10-1
10-A	缸体冷却管路组 (BB9216) CYLINDER BLOCK COOLING LINE SET(BB9216)	L375 20		10-1
10-B	缸体组 (BB 9171) CYLINDER BLOCK SET(BB 9171)	L375 20、L345 20		10-3
10-B	缸体组 (BB 9171) CYLINDER BLOCK SET(BB 9171)	L375 20、L345 20		10-5
10-C	冷却液辅助连接管组 (CH9087) COOLANT SUB-CONNECTING PIPE SET (CH9087)	东风康明斯系列 DONGFENG CUMMINS Series		10-7
10-C	缸体管路连接件组 (BB9213) BLOCK LINE CONNECTOR SET(BB9213)	L375 20、L345 20		10-7
10-D	齿轮室组 (BB9881) GEAR HOUSING SET(BB9881)	东风康明斯系列 DONGFENG CUMMINS Series		10-9
10-E	曲轴箱通风组 (BR 9239) CRANKCASE VENTILATION SET(BR 9239)	L375 20、L345 20		10-11
10-E	空压机冷却水管组 (CC9297) AIR COMPRESSOR COOLING PIPE SET(CC9297)	L375 20、L345 20		10-11
10-F	空压机组 (CP9510) AIR COMPRESSOR SET(CP9510)	L375 20、L345 20、C230 20、C325 20		10-13
10-F	变速箱第一前轴承 (CL 9079) TRANSMISSION NO.1 FRONT SHAFT BEARING(CL 9079)	L375 20、L345 20		10-13

图号 No. Of Figure	名称 Name	适用产品 Products Applied	备注 Remark	页次 Page
10-G	扭振减振器组 (DA 9155) TORSIONAL DAMPER SET(DA 9155)	L375 20、L345 20		10-15
10-G	搭铁线组 (EA 9089) GROUND CABLE SET(EA 9089)	L375 20、L345 20、C230 20、C325 20		10-15
10-H	节温器组 (EC9702) THERMOSTAT SET(EC9702)	L375 20、C260 20、C325 20、L345 20、C230 20		10-17
10-H	传感器总成组 (E0 9104) SENSOR ASSEMBLY SET(E0 9104)	L375 20、C260 20、C325 20、L345 20、C230 20		10-17
10-H	发电机安装件组 (EH 9591) GENERATOR MOUNTING PART SET(EH 9591)	L375 20、C260 20、C325 20、L345 20、C230 20		10-17
10-I	风扇驱动件组 (FA 9310) FAN DRIVE SET(FA 9310)	东风康明斯系列 DONGFENG CUMMINS Series		10-19
10-I	风扇驱动件组 (FA 9739) FAN DRIVE SET(FA 9739)	L375 20、C260 20、C325 20、L345 20、C230 20		10-19
10-J	增压补偿器连接管组 (FE 9043) SUPERCHARGE BOOST COMPENSATOR CONNECTING PIPE SET(FE 9043)	L375 20、L345 20		10-21
10-J	增压补偿器连接管组 (FE 9022) SUPERCHARGE BOOST COMPENSATOR CONNECTING PIPE SET(FE 9022)	L375 20、C325 20		10-21
10-K	燃油滤清器组 (FF 9593) FUEL FILTER SET(FF 9593)	L375 20、L345 20		10-25
10-L	燃油滤清器连接管路组 (FF 9594) FUEL FILTER CONNECTING LINE SET(FF 9594)	L375 20、L345 20		10-27
10-M	飞轮壳组 (FH 9430) FLYWHEEL CASE SET(FH 9430)	所有东风康明斯搅拌车系列 All DONGFENG CUMMINS Mixer Series		10-29
10-N	燃油泵安装组 (FP90370) FUEL PUMP MOUNTING SET(FP 90370)	L375 20、L345 20		10-31

图号 No. Of Figure	名称 Name	适用产品 Products Applied	备注 Remark	页次 Page
10-O	输油泵总成 (FS 9849) FUEL SUPPLY PUMP ASSEMBLY(FS 9849)	L375 20、L345 20		10-35
10-O	燃油泵组 (FP 90545) FUEL PUMP SET(FP 90545)	L375 20 、 C230 20		10-35
10-P	燃油管路组 (FT 9127) FUEL PIPING SET(FT 9127)	L375 20、L345 20		10-37
10-P	飞轮组 (FW 9782) FLYWHEEL SET(FW 9782)	所有东风康明斯搅拌车系列 All DONGFENG CUMMINS Mixer Series		10-37
10-Q	飞轮安装件组 (FW 90025) FLYWHEEL MOUNTING PART SET(FW 90025)	所有东风康明斯搅拌车系列 All DONGFENG CUMMINS Mixer Series		10-39
10-Q	齿轮室盖安装件组 (GG 9804) GEAR HOUSING COVER MOUNTING PART SET(GG 9804)	东风康明斯系列 DONGFENG CUMMINS Series		10-39
10-R	齿轮室盖组 (GG 9806) GEAR HOUSING COVER SET(GG 9806)	东风康明斯系列 DONGFENG CUMMINS Series		10-41
10-R	暖风安装件组 (HC 9046) HEATER MOUNTING PART SET(HC 9046)	L375 20、L345 20		10-41
10-S	液力转向泵组 (HD 9131) HYDRAULIC POWER STEERING PUMP SET(HD 9131)	L375 20 、 C230 20		10-43
10-S	进气连接件组 (IC 9450) INTAKE ATTACHMENT SET(IC 9450)	L375 20 、 C230 20		10-43
10-T	进气歧管组 (IM 9101) INTAKE MANIFOLD SET(IM 9101)	L375 20、L345 20		10-45
10-T	发动机吊耳组 (LA 9028) ENGINE SHACKLE SET(LA 9028)	L375 20、L345 20		10-45
10-U	机油冷却器组 (LC 9765) OIL COOLER SET(LC 9765)	L375 20、L345 20		10-47
10-V	机油滤清器组 (LF 9130) OIL FILTER SET(LF 9130)	东风康明斯系列 DONGFENG CUMMINS Series		10-51

图号 No. Of Figure	名称 Name	适用产品 Products Applied	备注 Remark	页次 Page
10-V	机油标尺组 (LG 9898) OIL DIPSTICK SET(LG 9898)	L375 20、L345 20		10-51
10-V	机油组 (LO 9701) OIL SET(LO 9701)	L375 20、L345 20		10-51
10-V	机油泵组 (LP 9724) OIL PUMP SET(LP 9724)	L375 20、L345 20		10-51
10-W	油门操纵组 (MS 9067) THROTTLE CONTROL SET(MS 9067)	L375 20 、 C325 20、 L345 20		10-53
10-W	附件驱动皮带轮组 (PA 9001) ACCESSORY DRIVE BELT PULLEY SET(PA 9001)	东风康明斯系列 DONGFENG CUMMINS Series		10-53
10-X	缸体加油附件组 (OB 9363) CYLINDER OIL FILLER ACCESSORY SET(OB 9363)	L375 20、L345 20		10-55
10-X	缸体加油附件组 (OB 9377) CYLINDER OIL FILLER ACCESSORY SET(OB 9377)	L375 20、L345 20		10-55
10-Y	油底壳组 (OP 9337) OIL PAN SET(OP 9337)	L375 20、L345 20		10-57
10-Y	油底壳组 (OP 9337) OIL PAN SET(OP 9337)	L375 20、L345 20		10-59
10-Z	性能件组 (PP 40388) FUNCTIONAL PART SET(PP 40388)	L375 20、L345 20		10-61
10-Z	性能件组 (PP 40388) FUNCTIONAL PART SET(PP 40388)	L375 20、L345 20		10-63
10-Z	性能件组 (PP 40388) FUNCTIONAL PART SET(PP 40388)	L375 20、L345 20		10-65
10-AA	增压器组 (PP 98671) SUPERCHARGER SET(PP 98671)	L375 20、L345 20		10-69
10-AA	缸盖管路组 (PP 98993) CYLINDER HEAD LINE SET(PP 98993)	L375 20、L345 20		10-69

图号 No. Of Figure	名称 Name	适用产品 Products Applied	备注 Remark	页次 Page
10-AB	摇臂组 (RL 9757) ROCKER ARM SET(RL 9757)	L375 20		10-71
10-AB	摇臂组 (RL 9768) ROCKER ARM SET(RL 9768)	L375 20		10-71
10-AC	发动机出气管组 (RP 9042) ENGINE OUTLET PIPE SET(RP 9042)	L375 20、L345 20		10-73
10-AC	水温传感器组 (SD 9113) WATER TEMPERATURE SENSOR SET(SD 9113)	L375 20、C300 20、L345 20		10-73
10-AD	起动机组 (ST 9344) STARTER SET(ST 9344)	L375 20、C260 20、L345 20、C230 20		10-75
10-AD	压力报警传感器组 (SD 9169) PRESSURE ALARM SENSOR SET(SD 9169)	L375 20、L345 20、C230 20		10-75
10-AD	起动机安装件组 (SM 9772) STARTER MOUNTING PART SET (SM 9772)	L375 20、L345 20		10-75
10-AE	增压器布置组 (TB 91272) SUPERCHARGER LAYOUT SET(TB 91272)	L375 20、L345 20		10-77
10-AE	扭矩转换器冷却组 (TK 9022) TORQUE CONVERTER COOLING SET(TK 9022)	L375 20、C300 20、L345 2、C230 20		10-77
10-AF	增压器管路组 (TP 97236) SUPERCHARGER LINE SET(TP 97236)	L375 20、C325 20、L345 20		10-79
10-AG	水滤清器组 (WF 9094) WATER FILTER SET(WF 9094)	L375 20、C300 20、C325 20、L345 20		10-81
10-AH	气阀罩组 (VC 9775) VAVLE COVER SET(VC 9775)	L375 20、L345 20		10-83
10-AH	进水连接管组 (WI 9145) WATER INLET CONNECTING PIPE SET(WI 9145)	L375 20、C300 20、L345 20		10-83
10-AI	水泵组 (WP 9101) WATER PUMP SET(WP 9101)	L375 20、L345 20		10-85

图号 No. Of Figure	名称 Name	适用产品 Products Applied	备注 Remark	页次 Page
10-AI	出水连接管组 (W0 9052) WATER OUTLET CONNECTING PIPE SET(WO 9052)	东风康明斯系列 DONGFENG CUMMINS Series		10-85
10-AJ	皮带张紧轮组 (WP 9916) BELT TENSIONER PULLEY SET(WP 9916)	L375 20、C300 20、C325 20、L345 20		10-87
10-AJ	水泵附件驱动组 (WP 9963) WATER PUMP ACCESSORY DRIVE SET(WP 9963)	东风康明斯系列 DONGFENG CUMMINS Series		10-87
10-AK	发动机悬置系统 ENGINE MOUNTING SYSTEM	东风康明斯系列 DONGFENG CUMMINS Series		10-89
10-AL	发动机悬置系统 ENGINE MOUNTING SYSTEM	东风康明斯系列 DONGFENG CUMMINS Series		10-91
10-AM	发动机悬置系统 ENGINE MOUNTING SYSTEM	东风康明斯系列 DONGFENG CUMMINS Series		10-95
10-AN	发动机悬置系统 ENGINE MOUNTING SYSTEM	东风康明斯系列 DONGFENG CUMMINS Series		10-97
10-AO	发动机悬置系统 ENGINE MOUNTING SYSTEM	东风康明斯系列 DONGFENG CUMMINS Series		10-99
10-AP	发动机悬置系统 ENGINE MOUNTING SYSTEM	东风康明斯系列 DONGFENG CUMMINS Series		10-101
10-AQ	参数牌组 (AP 9382) PARAMETER PLATE SET(AP 9382)	C260 20、C300 20、C325 20、L345 20、C230 20		10-103
10-AQ	缸体冷却管路组 (BB 9200) CYLINDER BLOCK COOLING LINE SET(BB 9200)	C260 20、C300 20、C325 20、C230 20		10-103
10-AR	缸体管路连接件组 (BB 9091) CYLINDER BLOCK LINE CONNECTOR SET(BB 9091)	C260 20、C300 20、C325 20、C230 20		10-105
10-AR	空压机冷却水管组 (CC 9274) AIR COMPRESSOR COOLING PIPE SET(CC 9274)	C260 20、C300 20、C325 20、C230 20		10-105
10-AS	缸体组 (BB 9110) CYLINDER BLOCK SET (BB 9110)	C260 20、C325 20、C300 20、C230 20		10-107

图号 No. Of Figure	名称 Name	适用产品 Products Applied	备注 Remark	页次 Page
10-AS	缸体组 (BB 9110) CYLINDER BLOCK SET (BB 9110)	C260 20、C325 20、C300 20、C230 20		10-109
10-AT	曲轴箱通风组 (BR 9198) CRANKCASE VENTILATION SET(BR 9198)	C260 20、C325 20、C230 20		10-111
10-AU	空调驱动件组 (CF 9120) AIR CONDITIONER DRIVER SET(CF 9120)	C260 20、L345 20		10-113
10-AU	空调组件 (CF 9089) AIR CONDITIONER SET(CF 9089)	C260 20		10-113
10-AU	变速箱第一前轴承 (CL 9079) TRANSMISSION NO.1 FRONT SHAFT BEARING(CL 9079)	C260 20、C230		10-113
10-AV	空压机组 (CP 9510) AIR COMPRESSOR SET(CP 9510)	C260 20		10-117
10-AV	搭铁线组 (EA 9089) GROUND WIRE SET(EA 9089)	C260 20 、C300 20		10-117
10-AW	增压补偿器连接管组 (FE 9023) SUPERCHARGE BOOST COMPENSTAOR CONNECTING PIPE SET(FE 9023)	C260 20、C300 20、C325 20、C230 20		10-119
10-AW	燃油滤清器组 (FF 9340) FUEL FILTER SET(FF 9340)	C260 20、C300 20、C325 20、C230 20		10-119
10-AX	燃油滤清器连接管组 (FF 9489) FUEL FILTER CONNECTING PIPE SET(FF 9489)	C260 20、C325 20、C230 20		10-121
10-AX	扭振减振器组 (DA 9728) TORSIONAL DAMPER SET(DA 9728)	C260 20、C325 20、C230 20		10-121
10-AY	燃油泵连接件组 (FP 99001) FUEL PUMP CONNECTING PART SET(FP 99001)	C260 20、C300 20、C325 20、C230 20		10-123
10-AY	基本燃油泵组 (FP 90145) BASE FUEL PUMP SET(FP 90145)	C260 20、C300 20、C325 20		10-123
10-AZ	供油系附件组 (FS 9724) OIL SUPPLY SYSTEM ACCESSORY SET(FS 9724)	C260 20、C325 20、C230 20		10-127

图号 No. Of Figure	名称 Name	适用产品 Products Applied	备注 Remark	页次 Page
10-AZ	飞轮组 (FW 9763) FLYWHEEL SET(FW 9763)	C260 20、C325 20、C230 20		10-127
10-BA	燃油管路组 (FT 9142) FUEL LINE SET(FT 9142)	C260 20、C300 20、C325 20、C230 20		10-129
10-BA	飞轮安装件组 (FW 90025) FLYWHEEL MOUNTING PART SET(FW 90025)	C260 20、C300 20、C325 20、C230 20		10-129
10-BB	液力转向泵组 (FT 9127) HYDRAULTC POWER STEERING PUMP SET(FT 9127)	C260 20		10-131
10-BB	暖风安装件组 (HC 9023) HEATER MOUNTING PART SET(HC 9023)	C260 20、C325 20		10-131
10-BB	进气接头组 (IC 9359) INTAKE CONNECTOR SET(IC 9359)	C260 20、C300 20、C230 20、C325 20		10-131
10-BC	进气歧管盖组 (IM 9717) INTAKE MANIFOLD COVER SET(IM 9717)	C260 20、C300 20、C230 20、C325 20		10-133
10-BC	发动机吊耳组 (LA 9068) ENGINE SHACKLE SET(LA 9068)	C260 20、C300 20、C230 20、C325 20		10-133
10-BC	机油泵组 (LP 9725) OIL PUMP SET(LP 9725)	C260 20、C300 20、C230 20、C325 20		10-133
10-BD	机油冷却器组 (LC 9227) OIL COOLER SET(LC 9227)	C260 20、C300 20、C230 20、C325 20		10-135
10-BD	机油标尺组 (LG 90021) OIL DIPSTICK SET(LG 90021)	C260 20、C300 20、C230 20、C325 20		10-135
10-BE	缸体加油附件组 (OB 9377) CYLINDER OIL FILLER ACCESSORY SET(OB 9377)	C260 20		10-139
10-BE	缸盖冷却管路组 (PP 98459) CYLINDER HEAD COOLING LINE SET(PP 98459)	C260 20、C300 20、C230 20、C325 20		10-139
10-BE	喷油器管路组 (PP 98838) INJECTOR LINE SET(PP 98838)	C260 20、C300 20、C230 20、C325 20		10-139

图号 No. Of Figure	名称 Name	适用产品 Products Applied	备注 Remark	页次 Page
10-BF	油门操纵组 (MS 9067) THROTTLE CONTROL SET(MS 9067)	C260 20、C300 20、C230		10-141
10-BF	增压器组 (PP 98565) SUPERCHARGER SET(PP 98565)	C260 20		10-141
10-BF	摇臂组 (RL 9732) ROCKER ARM SET(RL 9732)	C260 20、C300 20、C230 20、C325 20		10-141
10-BF	发动机冷却液出气组 (RP 9071) ENGINE COOLANT DEAERATION SET(RP 9071)	C260 20、C300 20、C230 20、C325 20		10-141
10-BG	油底壳组 (OP 9352) OIL PAN SET(OP 9352)	C300 20、C325 20、C230 20、C260 20		10-145
10-BG	压力报警传感器组 (SD 9112) PRESSURE ALARM SENSOR SET(SD 9112)	C260 20、C300 20、C325 20、C230 20		10-145
10-BH	性能件组 (PP 40303) FUNCTIONAL PART SET(PP 40303)	C260 20		10-149
10-BH	性能件组 (PP 40303) FUNCTIONAL PART SET(PP 40303)	C260 20		10-151
10-BH	性能件组 (PP 40303) FUNCTIONAL PART SET(PP 40303)	C260 20		10-153
10-BI	扭矩转换器冷却组 (TK 9022) TORQUE CONVERTER COOLING SET(TK 9022)	C260 20、C325 20		10-157
10-BI	水温传感器组 (SD 9113) WATER TEMPERATURE SENSOR SET(SD 9113)	C260 20、C325 20、C230 20		10-157
10-BI	起动机组 (ST 9377) STARTER SET(ST 9377)	C260 20		10-157
10-BJ	气阀室罩组 (VC 9221) AIR VALVE CHEST COVER SET(VC 9221)	C260 20、C300 20、C325 20、C230 20		10-159
10-BJ	增压器布置组 (TB 9993) SUPERCHARGER LAYOUT SET(TB 9993)	C260 20、C300 20、C325 20、C230 20		10-159

图号 No. Of Figure	名称 Name	适用产品 Products Applied	备注 Remark	页次 Page
10-BJ	进水连接管组 (WI 9145) WATER INLET CONNECTING PIPE SET(WI 9145)	C260 20、C300 20、C325 20、C230 20		10-159
10-BK	增压器管路组 (TP 97247) SUPERCHARGER LINE SET(TP 97247)	C260 20、C300 20、C230 20		10-161
10-BL	水滤清器组 (WF 9094) WATER FILTER SET(WF 9094)	C260 20、C230 20		10-165
10-BL	皮带张紧轮组 (WP 9916) BELT TENSIONER PULLEY SET(WP 9916)	C260 20、C230 20		10-165
10-BL	水泵组 (WP 9918) WATER PUMP SET(WP 9918)	C260 20、C300 20、C325 20、C230 20		10-165
10-BM	发动机前悬置支架组 (EM 9223) ENGINE FRONT MOUNTING BRACKET SET(EM 9223)	东风康明斯系列 DONGFENG CUMMINS Series		10-169
10-BM	传感器组 (EO 9135) SENSOR SET(EO 9135)	C300 20、C325 20、L345 20		10-169
10-BM	标签组 (LB 9085) LABEL SET(LB 9085)	C300 20、C325 20、C230 20		10-169
10-BM	标签组 (LB 9094) LABEL SET(LB 9094)	C300 20、C325 20、C230 20		10-169
10-BN	增压补偿器连接管组 (EM 9023) SUPERCHARGE BOOST COMPENSATOR CONNECTING PIPE SET(EM 9223)	C300 20		10-171
10-BN	液力转向泵组 (HD 9131) HYDRAULIC POWER STEERING PUMP SET(HD 9131)	C300 20、C325 20		10-171
10-BO	缸体加油附件组 (OB 9378) CYLINDER OIL FILLER ACCESSORY SET(OB 9378)	C300 20、C325 20、C230 20		10-173
10-BP	性能件组 (PP 40333) FUNCTIONAL PART SET(PP 40333)	C300 20		10-175
10-BP	性能件组 (PP 40333) FUNCTIONAL PART SET(PP 40333)	C300 20		10-177

图号 No. Of Figure	名称 Name	适用产品 Products Applied	备注 Remark	页次 Page
10-BP	性能件组 (PP 40333) FUNCTIONAL PART SET(PP 40333)	C300 20		10-179
10-BQ	增压器组 (PP 98484) SUPERCHARGER SET(PP 98484)	C300 20		10-183
10-BQ	参数牌 (SS 9455) PARAMETER PLATE(SS 9455)	C300 C325、L345 C230		10-183
10-BR	进气预热组 (AH 9141) INTAKE PREHEATING SET(AH 9141)	L345 20、C325 20、C230 20		10-185
10-BR	增压器排气连接件组 (XS 9258) SUPERCHARGER EXHAUST CONNECTING PART SET(XS 9258)	L345 20、C325 20、C230 20		10-185
10-BS	摇臂组 (RL 9774) ROCKER ARM SET(RL 9774)	L345 20		10-187
10-BT	性能件组 (PP 40311) FUNCTIONAL PART SET(PP 40311)	C230 20		10-189
10-BU	增压器组 (PP 98438) SUPERCHARGER SET(PP 98438)	C230 20		10-197
10-BV	汽缸体 (一) CYLINDER BLOCK I	潍柴 WD615 系列 WEICHAI WD615 Series		10-199
10-BV	汽缸体 (一) CYLINDER BLOCK I	潍柴 WD615 系列 WEICHAI WD615 Series		10-201
10-BW	汽缸体 (二) CYLINDER BLOCK II	潍柴 WD615 系列 WEICHAI WD615 Series		10-205
10-BW	汽缸体 (二) CYLINDER BLOCK II	潍柴 WD615 系列 WEICHAI WD615 Series		10-207
10-BW	汽缸体 (二) CYLINDER BLOCK II	潍柴 WD615 系列 WEICHAI WD615 Series		10-209
10-BW	汽缸体 (二) CYLINDER BLOCK II	潍柴 WD615 系列 WEICHAI WD615 Series		10-211

图号 No. Of Figure	名称 Name	适用产品 Products Applied	备注 Remark	页次 Page
10-BX	汽缸体 (三) CYLINDER BLOCK III	潍柴 WD615 系列 WEICHAI WD615 Series		10-215
10-BX	汽缸体 (三) CYLINDER BLOCK III	潍柴 WD615 系列 WEICHAI WD615 Series		10-217
10-BY	汽缸体 (四) CYLINDER BLOCK IV	潍柴 WD615 系列 WEICHAI WD615 Series		10-219
10-BZ	曲轴飞轮 CRANKSHAFT FLYWHEEL	潍柴 WD615 系列 WEICHAI WD615 Series		10-223
10-BZ	曲轴飞轮 CRANKSHAFT FLYWHEEL	潍柴 WD615 系列 WEICHAI WD615 Series		10-225
10-CA	连杆和活塞 CONNECTING ROD AND PISTON	潍柴 WD615 系列 WEICHAI WD615 Series		10-227
10-CB	汽缸盖总成 CYLINDER HEAD ASSEMBLY	潍柴 WD615 系列 WEICHAI WD615 Series		10-229
10-CB	汽缸盖总成 CYLINDER HEAD ASSEMBLY	潍柴 WD615 系列 WEICHAI WD615 Series		10-231
10-CC	配气机构 VALVE MECHANISM	潍柴 WD615 系列 WEICHAI WD615 Series		10-235
10-CC	配气机构 VALVE MECHANISM	潍柴 WD615 系列 WEICHAI WD615 Series		10-237
10-CC	配气机构 VALVE MECHANISM	潍柴 WD615 系列 WEICHAI WD615 Series		10-239
10-CD	水泵和风扇 WATER PUMP AND FAN	潍柴 WD615 系列 WEICHAI WD615 Series		10-241
10-CD	水泵和风扇 WATER PUMP AND FAN	潍柴 WD615 系列 WEICHAI WD615 Series		10-243
10-CE	水泵总成 WATER PUMP ASSEMBLY	潍柴 WD615 系列 WEICHAI WD615 Series		10-245

图号 No. Of Figure	名称 Name	适用产品 Products Applied	备注 Remark	页次 Page
10-CF	张紧轮总成 TENSIONER PULLEY ASSEMBLY	潍柴 WD615 系列 WEICHAJ WD615 Series		10-247
10-CG	机油泵和机油滤清器 (一) OIL PUMP AND OIL FILTER I	潍柴 WD615 系列 WEICHAJ WD615 Series		10-249
10-CG	机油泵和机油滤清器 (一) OIL PUMP AND OIL FILTER I	潍柴 WD615 系列 WEICHAJ WD615 Series		10-251
10-CH	机油泵和机油滤清器 (二) OIL PUMP AND OIL FILTER II	潍柴 WD615 系列 WEICHAJ WD615 Series		10-255
10-CI	喷油泵高压油管 FUEL INJECTION PUMP HIGH PRESSURE PIPE	潍柴 WD615 系列 WEICHAJ WD615 Series		10-259
10-CI	喷油泵高压油管 FUEL INJECTION PUMP HIGH PRESSURE PIPE	潍柴 WD615 系列 WEICHAJ WD615 Series		10-261
10-CI	喷油泵高压油管 FUEL INJECTION PUMP HIGH PRESSURE PIPE	潍柴 WD615 系列 WEICHAJ WD615 Series		10-263
10-CJ	油管 OIL PIPE	潍柴 WD615 系列 WEICHAJ WD615 Series		10-265
10-CJ	油管 OIL PIPE	潍柴 WD615 系列 WEICHAJ WD615 Series		10-267
10-CK	联轴器总成 COUPLING ASSEMBLY	潍柴 WD615 系列 WEICHAJ WD615 Series		10-269
10-CL	电机装置 MOTOR UNIT	潍柴 WD615 系列 WEICHAJ WD615 Series		10-271
10-CM	火焰预热起动系统 FLAME PREHEATING START SYSTEM	潍柴 WD615 系列 WEICHAJ WD615 Series		10-275
10-CM	火焰预热起动系统 FLAME PREHEATING START SYSTEM	潍柴 WD615 系列 WEICHAJ WD615 Series		10-277
10-CN	进排气管 (一) INTAKE AND EXHAUST PIPE I	潍柴 WD615 系列 WEICHAJ WD615 Series		10-281

图号 No. Of Figure	名称 Name	适用产品 Products Applied	备注 Remark	页次 Page
10-CN	进排气管 (一) INTAKE AND EXHAUST PIPE I	潍柴 WD615 系列 WEICHAI WD615 Series		10-283
10-CO	进排气管 (二) INTAKE AND EXHAUST PIPE II	潍柴 WD615 系列 WEICHAI WD615 Series		10-285
10-CO	进排气管 (二) INTAKE AND EXHAUST PIPE II	潍柴 WD615 系列 WEICHAI WD615 Series		10-287
10-CP	615 13 61A 单缸空气压缩机 615 13 61A SINGLE CYLINDER AIR COMPRESSOR	潍柴 WD615 系列 WEICHAI WD615 Series		10-291
10-CP	615 13 61A 单缸空气压缩机 615 13 61A SINGLE CYLINDER AIR COMPRESSOR	潍柴 WD615 系列 WEICHAI WD615 Series		10-293
10-CQ	油底壳 OIL PAN	潍柴 WD615 系列 WEICHAI WD615 Series		10-297
10-CR	发动机悬置系统 ENGINE MOUNTING SYSTEM	潍柴 WD615 系列 WEICHAI WD615 Series		10-299
10-CR	发动机悬置系统 ENGINE MOUNTING SYSTEM	潍柴 WD615 系列 WEICHAI WD615 Series		10-301
10-CS	发动机悬置系统 ENGINE MOUNTING SYSTEM	潍柴 WD615 系列 WEICHAI WD615 Series		10-303
10-CT	发动机悬置系统 ENGINE MOUNTING SYSTEM	C9 发动机系列 C9 Engine Series		10-307
10-CT	发动机悬置系统 ENGINE MOUNTING SYSTEM	C9 发动机系列 C9 Engine Series		10-309
10-CU	发动机悬置系统 ENGINE MOUNTING SYSTEM	C13 发动机系列 C13 Engine Series		10-311
10-CU	发动机悬置系统 ENGINE MOUNTING SYSTEM	C13 发动机系列 C13 Engine Series		10-313
10-CV	发动机悬置系统 ENGINE MOUNTING SYSTEM	M11 发动机系列 M11 Engine Series		10-315
10-CV	发动机悬置系统 ENGINE MOUNTING SYSTEM	M11 发动机系列 M11 Engine Series		10-317

11、供给系统 /SUPPLY SYSTEM

图号 No. Of Figure	名称 Name	适用产品 Products Applied	备注 Remark	页次 Page
11-A	油门拉丝总成装置图 THROTTLE CABLE ASSEMBLY	Cummins 系列 CUMMINS Series		11-1
11-B	油门拉丝总成装置图 THROTTLE CABLE ASSEMBLY	Steyr 系列 STEYR Series		11-3
11-C	加速油门踏板总成装置图 ACCELERATOR PEDAL ASSEMBLY	Cummins 系列、Steyr 系列 CUMMINS Series,STEYR Series		11-5
11-D	油门拉丝总成装置图 THROTTLE CABLE ASSEMBLY	Cummins 右架欧 II 系列 CUMMINS Europe II Series Of RHD		11-7
11-E	加速油门踏板总成装置图 ACCELERATOR PEDAL ASSEMBLY	Cummins 右架欧 II 系列 CUMMINS Europe II Series Of RHD		11-9
11-F	燃油箱 I FUEL TANK I			11-11
11-G	燃油箱 II FUEL TANK II			11-15
11-H	供给系管路 I SUPPLY SYSTEM LINE I			11-21
11-I	供给系管路 II SUPPLY SYSTEM LINE II			11-25
11-J	空气滤清器 I AIR FILTER I			11-29
11-K	空气滤清器 II AIR FILTER II	康明斯 300 马力以下型号发动机车型 CUMMINS Engine Under 300 Horsepower		11-31
11-L	空气滤清器 III AIR FILTER III	康明斯 300 马力以下型号发动机车型 CUMMINS Engine Under 300 Horsepower		11-33
11-M	空气滤清器 IV AIR FILTER IV	康明斯发动机系列车型 CUMMINS Engine Series		11-37

图号 No. Of Figure	名称 Name	适用产品 Products Applied	备注 Remark	页次 Page
11-N	空气滤清器 V AIR FILTER V	所有斯太尔发动机及其它系列 300 马力以上发动机 All STEYR Engine And Other Series Engine Over 300 Horsepower		11-39
11-O	空气滤清器 VI AIR FILTER VI	所有斯太尔发动机及其它系列 300 马力以上发动机 All STEYR Engine And Other Series Engine Over 300 Horsepower		11-43
11-P	空气滤清器 VII AIR FILTER VII	WD615 系列发动机 WD615 Series Engine		11-47
11-Q	空气滤清器 VIII AIR FILTER VIII	WD12 及 WP10 系列发动机 WD12 Series Engine、WP10 Series Engine		11-49

12、排气系统 /EXHAUST SYSTEM

图号 No. Of Figure	名称 Name	适用产品 Products Applied	备注 Remark	页次 Page
12-A	发动机排气出口部件装置图 ENGINE EXHAUST OUTLET PARTS	Cummins 四桥车 CUMMINS 4-Axle Vehicle		12-1
12-B	排气系统支架预装图 EXHAUST SYSTEM BRACKET	轴距 1850+4000+1350 四桥车 Wheel Base 1850+4000+1350 4-Axle Vehicle		12-3
12-C	排气系统支架总装图 EXHAUST SYSTEM BRACKET	轴距 1850+4000+1350 四桥车 Wheel Base 1850+4000+1350 4-Axle Vehicle		12-5
12-D	排气系统支架预装图 EXHAUST SYSTEM BRACKET	轴距 1850+3370+1350 四桥车 Wheel Base 1850+3370+1350 4-Axle Vehicle		12-7
12-E	排气系统支架总装图 EXHAUST SYSTEM BRACKET	轴距 1850+3370+1350 四桥车 Wheel Base 1850+3370+1350 4-Axle Vehicle		12-9
12-F	排气系统支架预装图 EXHAUST SYSTEM BRACKET	轴距 1850+4605+1350 四桥车 Wheel Base 1850+4605+1350 4-Axle Vehicle		12-11
12-G	排气系统支架总装图 EXHAUST SYSTEM BRACKET	轴距 1850+4605+1350 四桥车 Wheel Base 1850+4605+1350 4-Axle Vehicle		12-13
12-H	排气管及消声器总成装置图 EXHAUST PIPE AND MUFFLER ASSEMBLY	四桥车 4-Axle Vehicle		12-15
12-I	排气管装置图 EXHAUST PIPE	Cummins 四桥车 CUMMINS 4-Axle Vehicle		12-17
12-J	排气管装置图 EXHAUST PIPE	Steyr 四桥车、STEYR 双前桥牵引车 STEYR 4-Axle Vehicle, STEYR Double Front Axle Tractor		12-19
12-K	消声器总成装配图 MUFFLER ASSEMBLY	牵引车 Tractor	新型式(方形消声器) New Type(Square Muffler)	12-21
12-L	消声器总成装配图 MUFFLER ASSEMBLY	非牵引车 Non-Tractor	新型式(方形消声器) New Type(Square Muffler)	12-23
12-M	排气管及消声器总成装配图 EXHAUST PIPE AND MUFFLER ASSEMBLY	重庆 Cummins 牵引车、C9 系列牵引车 CHONGQING CUMMINS Tractor, C9 Series Tractor	新型式(方形消声器) New Type(Square Muffler)	12-25
12-N	排气管及消声器总成装配图 EXHAUST PIPE AND MUFFLER ASSEMBLY	非牵引车 Non-Tractor	新型式(方形消声器) New Type(Square Muffler)	12-27

图号 No. Of Figure	名称 Name	适用产品 Products Applied	备注 Remark	页次 Page
12-O	排气管及消声器总成装配图 EXHAUST PIPE AND MUFFLER ASSEMBLY	Cummins 牵引车、ISLe 系列牵引车 CUMMINS Tractor, ISLe Seires Tractor	新型式 (方形消声器) New Type(Square Muffler)	12-29
12-P	排气管及消声器总成装配图 EXHAUST PIPE AND MUFFLER ASSEMBLY	Steyr 牵引车 STEYR Tractor	新型式 (方形消声器) New Type(Square Muffler)	12-31
12-Q	排气管装置图 EXHAUST PIPE	Steyr 非牵引车 STEYR Non-Tractor	新型式 (方形消声器) New Type(Square Muffler)	12-33
12-R	排气管装置图 EXHAUST PIPE	重庆 Cummins 车型 CHONGQING CUMMINS Model	新型式 (方形消声器) New Type(Square Muffler)	12-35
12-S	排气管装置图 EXHAUST PIPE	Cummins 牵引车 CUMMINS Tractor	新型式 (方形消声器) New Type(Square Muffler)	12-39
12-T	排气管装置图 EXHAUST PIPE	Cummins 非牵引车 CUMMINS Non-Tractor	新型式 (方形消声器) New Type(Square Muffler)	12-43
12-U	排气管装置图 EXHAUST PIPE	ISLe 系列牵引车 ISLE Serise Tractor		12-47
12-V	排气管装置图 EXHAUST PIPE	ISLe 系列非牵引车 ISLE Serise Non-Tractor		12-49
12-W	排气管装置图 EXHAUST PIPE	WP10 系列牵引车 WP10 Series Tractor		12-51
12-X	排气管装置图 EXHAUST PIPE	WP10 系列非牵引车 WP10 Series Non-Tractor		12-55
12-Y	排气系统支架预装图 EXHAUST SYSTEM BRACKET	STEYR 双前桥牵引车 STEYR Double Front Axle Tractor		12-57
12-Z	排气系统支架总装图 EXHAUST SYSTEM BRACKET	STEYR 双前桥牵引车 STEYR Double Front Axle Tractor		12-59
12-AA	排气管及消声器总成装置图 EXHAUST PIPE AND MUFFLER ASSEMBLY	STEYR 双前桥牵引车 STEYR Double Front Axle Tractor		12-61
12-AB	排气管装置图 EXHAUST PIPE	WD12 系列车型 WD12 Series Model		12-63
12-AC	排气管装置图 EXHAUST PIPE	C9 系列牵引车及 6×4 车型 C9 Series Tractor And 6×4 Model		12-67
12-AD	消声器排气管装置图 MUFFLER EXHAUST PIPE	Cummins 尾气预热自卸车 CUMMINS Offgas Preheating Dump Truck		12-69

13、冷却系统 /COOLING SYSTEM

图号 No. Of Figure	名称 Name	适用产品 Products Applied	备注 Remark	页次 Page
13-A	散热器和挡板组图 RADIATOR AND BAFFLE SET	C300、C260、C230		13-1
13-B	散热器悬置组图 RADIATOR MOUNTING SET	C300、C260、C230、6D24		13-3
13-C	散热器支撑组图 RADIATOR SUPPORT SET	C 系列 C Series		13-5
13-D	冷却水管组图 COOLING WATER PIPE SET	C 系列 C Series		13-7
13-E	冷却风扇组图 COOLING FAN SET	C 系列 C Series		13-9
13-F	风扇护风罩组图 FAN SHROUD SET	C 系列、6D24 C Series、6D24		13-11
13-G	冷却液膨胀箱组图 COOLANT EXPANSION TANK SET	C 系列 C Series		13-15
13-H	过渡水管组图 TRANSITION WATER PIPE SET	C 系列 C Series		13-17
13-I	副膨胀箱组图 SUB EXPANSION TANK SET	非欧款车型 Non Europe Model		13-21
13-J	增压中冷器组图 SUPERCHARGING INTERCOOLER SET	C 系列 C Series		13-25
13-K	散热器和中冷器组图 RADIATOR AND INTERCOOLER SET	L345、L375、C9-350HP、WP10 290、WP10 336、 WD12 336、WD12 375、WD615.38、P11C-UL、 P11C-UJ、M11-C350E 20、ISLe350 30		13-29
13-L	散热器支撑组图 RADIATOR SUPPORT SET			13-33
13-M	散热器固定组图 RADIATOR FIXING SET	L 系列、WD615.38、WD615.47 L Series, WD615.38, WD615.47		13-35

图号 No. Of Figure	名称 Name	适用产品 Products Applied	备注 Remark	页次 Page
13-N	冷却水气管路组图 COOLING WATER AND AIR PIPELINE SET	M11-C350E 20、M11-C380E 20、L345、L375、 ISLe340 30、ISLe350 30、C9-350HP		13-37
13-O	发动机水气管路组图 ENGINE WATER AND AIR PIPELINE SET			13-43
13-P	冷却风扇组图 COOLING FAN SET	L345、L375、ISLe340 30、ISLe350 30		13-47
13-Q	冷却液膨胀箱组图 COOLANT EXPANSION TANK SET	L 系列、WD615 系列 L Series, WD615 Series		13-49
13-R	膨胀箱连接管组图 EXPANSION TANK CONNECTING PIPE SET	非 6M70 车型 Non 6M70 Model		13-51
13-S	过渡水管组图 TRANSITION WATER PIPE SET	L345、L375、ISLe340 30、ISLe350 30		13-53
13-T	冷却水气管路组图 COOLING WATER AND AIR PIPELINE SET	WP10 290、WP10 336、WD12.336、WD12.375、 WD615.38		13-55
13-U	过渡水管组图 TRANSITION WATER PIPE SET	WD615.38、WD615.34、WD615.46、WP10 290、 WP10 336、WD12.336、WD12.375、C9-350HP		13-59
13-V	散热器悬置组图 RADIATOR MOUNTING SET	WD615.44、WD615.50、WD615.56		13-63
13-W	散热器支撑组图 RADIATOR SUPPORT SET	WD615.44、WD615.50、WD615.56		13-65
13-X	冷却水管组图 COOLING WATER PIPE SET	WD615.44、WD615.50、WD615.56		13-67
13-Y	风扇导流罩组图 FAN DOME SET	WD615.44、WD615.50、WD615.56		13-69
13-Z	风扇护风罩组图 FAN SHROUD SET	WD615.44、WD615.50、WD615.56		13-73
13-AA	过渡水管组图 TRANSITION WATER PIPE SET	WD615.44、WD615.50、WD615.56		13-75

图号 No. Of Figure	名称 Name	适用产品 Products Applied	备注 Remark	页次 Page
13-AB	增压中冷器组图 SUPERCHARGING INTERCOOLER SET	WD615.44、WD615.50、WD615.56		13-79
13-AC	散热器和中冷器组图 RADIATOR AND INTERCOOLER SET	WD615.46、WD615.34		13-81
13-AD	散热器支撑组图 RADIATOR SUPPORT SET	WD615.46、WD615.34		13-83
13-AE	散热器固定组图 RADIATOR FIXING SET	WD615.46、WD615.34		13-85
13-AF	冷却水气管路组图 COOLING WATER AND AIR PIPELINE SET	WD615.46、WD615.34		13-87
13-AG	散热器和挡板组图 RADIATOR AND BAFFLE SET	C230、C325、WD615.56、WD615.50、WD615.44		13-89
13-AH	散热器悬置组图 RADIATOR MOUNTING SET	C325		13-91
13-AI	冷却风扇组 COOLING FAN SET	C9-350HP、M11-350E20		13-93
13-AJ	过渡水管组 TRANSITION WATER PIPE SET	M11-350E20		13-95
13-AK	散热器固定组 RADIATOR FIXING SET	YC6A240-20、YC6A260-20		13-97
13-AL	冷却水气管组 COOLING WATER AND AIR PIPELINE SET	YC6A240-20、YC6A260-20		13-99
13-AM	发动机水气管组 ENGINE WATER AND AIR PIPELINE SET	YC6A240-20、YC6A260-20		13-101
13-AN	过渡水管组 TRANSITION WATER PIPE SET	YC6A240-20、YC6A260-20		13-103
13-AO	散热器和中冷器组 RADIATOR AND INTERCOOLER SET	YC6A240-20、YC6A260-20		13-105

16、离合器及其操纵系统 /CLUTCH AND OPERATING SYSTEM

图号 No. Of Figure	名称 Name	适用产品 Products Applied	备注 Remark	页次 Page
16-A	离合器操纵装置图 CLUTCH OPERATING			16-1
16-B	离合器油路操纵装置图一 CLUTCH OIL CIRCUIT OPERATING I			16-5
16-C	离合器油路操纵装置图二 CLUTCH OIL CIRCUIT OPERATING II			16-7
16-D	离合器油路操纵装置图三 CLUTCH OIL CIRCUIT OPERATING III	国产动力系列 + 非 DC7J120TD 变速器 Domestic Engine Series+Non-DC7J120TD Transmission		16-11
16-E	离合器油路操纵装置图三 CLUTCH OIL CIRCUIT OPERATING III	国产动力系列 +DC7J120TD 变速器 Domestic Engine Series+DC7J120TD Transmission		16-13
16-F	FD430A 离合器装置图 FD430A CLUTCH	配康明斯 C 系列 350 马力以下发动机（非搅拌机） CUMMINS C Series Engine Under 350 Horsepower (Non-Mixer)		16-15
16-G	SACHS 离合器装置图 SACHS CLUTCH	ZF 变速箱 ZF Transmission		16-17
16-H	FD430L30 离合器装置图 FD430L30 CLUTCH	国产 350 马力以上动力系列 Domestic Engine Series Over 350 Horsepower		16-19
16-I	右驾车型离合器油路操纵装置图一 CLUTCH OIL CIRCUIT OPERATING I OF RHD	右驾车型 RHD		16-21

17、变速器及其操纵系统 / TRANSMISSION AND THE CONTROL SYSTEM

图号 No. Of Figure	名称 Name	适用产品 Products Applied	备注 Remark	页次 Page
17-A	变速器和离合器壳体装置图 TRANSMISSION AND CLUTCH CASE			17-1
17-B	变速器和离合器壳体装置图 TRANSMISSION AND CLUTCH CASE			17-7
17-C	变速器和离合器壳体装置图 TRANSMISSION AND CLUTCH CASE			17-13
17-D	RT-11509C 变速器二轴总成 RT-11509C TRANSMISSION NO.2 SHAFT ASSEMBLY			17-19
17-E	RT-11509C 变速器左右中间轴总成 RT-11509C TRANSMISSION LEFT AND RIGHT COUNTERSHAFT ASSEMBLY			17-21
17-F	RT-11509C 变速器一轴总成 RT-11509C TRANSMISSION NO.1 SHAFT ASSEMBLY			17-25
17-G	RT-11509C 变速器倒档中间轴总成 RT-11509C TRANSMISSION REVERSE COUNTERSHAFT ASSEMBLY			17-27
17-H	RT-11509C 变速器上盖总成 RT-11509C TRANSMISSION UPPER COVER ASSEMBLY			17-29
17-I	RT-11509C 变速器操纵装置总成 RT-11509C TRANSMISSION CONTROL ASSEMBLY			17-35
17-J	RT-11509C 变速器空气滤清调节器总成 RT-11509C TRANSMISSION AIR FILTER REGULATOR ASSEMBLY			17-45
17-K	RT-11509C 变速器副箱驱动齿轮总成 RT-11509C TRANSMISSION ADDITIONAL GEARBOX DRIVE GEAR ASSEMBLY			17-47
17-L	RT-11509C 变速器副箱主轴总成 RT-11509C TRANSMISSION ADDITIONAL GEARBOX MAIN SPINDLE ASSEMBLY			17-49

图号 No. Of Figure	名称 Name	适用产品 Products Applied	备注 Remark	页次 Page
17-M	RT-11509C 变速器副箱左右中间轴 RT-11509C TRANSMISSION ADDITIONAL GEARBOX LEFT AND RIGHT COUNTERSHAFT			17-51
17-N	RT-11509C 变速器后盖总成 RT-11509C TRANSMISSION REAR COVER ASSEMBLY			17-53
17-O	RT-11509C 变速器副箱气缸总成 RT-11509C TRANSMISSION ADDITIONAL GEARBOX CYLINDER ASSEMBLY			17-57
17-P	RT-11509C 变速器中间轴制动器总成 RT-11509C TRANSMISSION COUNTERSHAFT BRAKE ASSEMBLY			17-61
17-Q	9JS119 变速器二轴总成 9JS119 TRANSMISSION NO.2 SHAFT ASSEMBLY			17-63
17-R	9JS119 变速器左右中间轴总成 9JS119 TRANSMISSION LEFT AND RIGHT COUNTERSHAFT ASSEMBLY			17-65
17-S	9JS119 变速器一轴总成 9JS119 TRANSMISSION NO.1 SHAFT ASSEMBLY			17-69
17-T	9JS119 变速器倒档中间轴总成 9JS119 TRANSMISSION REVERSE COUNTERSHAFT ASSEMBLY			17-71
17-U	9JS119 变速器上盖总成 9JS119 TRANSMISSION UPPER COVER ASSEMBLY			17-73
17-V	9JS119 变速器操纵装置总成 9JS119 TRANSMISSION CONTROL ASSEMBLY			17-79
17-W	9JS119 变速器空气滤清调节器总成 9JS119 TRANSMISSION AIR FILTER REGULATOR ASSEMBLY			17-89
17-X	9JS119 变速器副箱驱动齿轮总成 9JS119 TRANSMISSION ADDITIONAL GEARBOX DRIVE GEAR ASSEMBLY			17-91
17-Y	9JS119 变速器副箱主轴总成 9JS119 TRANSMISSION ADDITIONAL GEARBOX MAIN SPINDLE ASSEMBLY			17-93

图号 No. Of Figure	名称 Name	适用产品 Products Applied	备注 Remark	页次 Page
17-Z	9JS119 变速器副箱左右中间轴 9JS119 TRANSMISSION ADDITIONAL GEARBOX LEFT AND RIGHT COUNTERSHAFT			17-95
17-AA	9JS119 变速器后盖总成 9JS119 TRANSMISSION REAR COVER ASSEMBLY			17-97
17-AB	9JS119 变速器副箱气缸总成 9JS119 TRANSMISSION ADDITIONAL GEARBOX CYLINDER ASSEMBLY			17-101
17-AC	9JS119 变速器中间轴制动器总成 9JS119 TRANSMISSION COUNTERSHAFT BRAKE ASSEMBLY			17-105
17-AD	9JS150T-B 变速器二轴总成 9JS150T-B TRANSMISSION NO.2 SHAFT ASSEMBLY			17-107
17-AE	9JS150T-B 变速器左右中间轴总成 9JS150T-B TRANSMISSION LEFT AND RIGHT COUNTERSHAFT ASSEMBLY			17-109
17-AF	9JS150T-B 变速器一轴总成 9JS150T-B TRANSMISSION NO.1 SHAFT ASSEMBLY			17-113
17-AG	9JS150T-B 变速器倒档中间轴总成 9JS150T-B TRANSMISSION REVERSE COUNTERSHAFT ASSEMBLY			17-115
17-AH	9JS150T-B 变速器上盖总成 9JS150T-B TRANSMISSION UPPER COVER ASSEMBLY			17-117
17-AI	9JS150T-B 变速器操纵装置总成 9JS150T-B TRANSMISSION CONTROL ASSEMBLY			17-123
17-AJ	9JS150T-B 变速器空气滤清调节器总成 9JS150T-B TRANSMISSION AIR FILTER REGULATOR ASSEMBLY			17-133
17-AK	9JS150T-B 变速器副箱驱动齿轮总成 9JS150T-B TRANSMISSION ADDITIONAL GEARBOX DRIVE GEAR ASSEMBLY			17-135
17-AL	9JS150T-B 变速器副箱主轴总成 9JS150T-B TRANSMISSION ADDITIONAL GEARBOX MAIN SPINDLE ASSEMBLY			17-137

图号 No. Of Figure	名称 Name	适用产品 Products Applied	备注 Remark	页次 Page
17-AM	9JS150T-B 变速器副箱左右中间轴 9JS150T-B TRANSMISSION ADDITIONAL GEARBOX LEFT AND RIGHT COUNTERSHAFT			17-139
17-AN	9JS150T-B 变速器后盖总成 9JS150T-B TRANSMISSION REAR COVER ASSEMBLY			17-141
17-AO	9JS150T-B 变速器副箱气缸总成 9JS150T-B TRANSMISSION ADDITIONAL GEARBOX CYLINDER ASSEMBLY			17-145
17-AP	12JS160T 一轴总成 12JS160T NO.1 SHAFT ASSEMBLY			17-149
17-AQ	12JS160T 离合器和变速箱壳体总成 12JS160T CLUTCH AND TRANSMISSION CASE ASSEMBLY			17-151
17-AR	12JS160T 操纵装置总成 12JS160T CONTROL ASSEMBLY			17-157
17-AS	变速操纵装置图一 TRANSMISSION CONTROL I			17-167
17-AT	变速操纵装置图二 TRANSMISSION CONTROL II	国产动力系列 + 非大同变速器 Domestic Engine Series+Non-Datong Transmission		17-171
17-AU	变速操纵装置图二 TRANSMISSION CONTROL II	国产动力系列 + 大同变速器 Domestic Engine Series+Datong Transmission		17-177
17-AV	右驾车型变速器操纵装置图一 TRANSMISSION CONTROL I OF RHD	右驾车型 RHD		17-181
17-AW	选、换挡继动摇臂及支架总成 I SELECTION AND SHIFT RELAY ROCKER ARM AND BRACKET ASSEMBLY I	国产动力系列 + 非大同变速器 Domestic Engine Series+Non-Datong Transmission		17-185
17-AX	选、换挡继动摇臂及支架总成 I SELECTION AND SHIFT RELAY ROCKER ARM AND BRACKET ASSEMBLY I	国产动力系列 + 非大同变速器 Domestic Engine Series+Non-Datong Transmission		17-189
17-AY	选档摇臂总成 II、换挡摇臂总成 II SELECTION ROCKER ARM ASSEMBLY II , SHIFT ROCKER ARM ASSEMBLY II	国产动力系列 + 大同变速器 Domestic Engine Series+Datong Transmission		17-193

图号 No. Of Figure	名称 Name	适用产品 Products Applied	备注 Remark	页次 Page
17-AZ	选档摇臂总成 II、换挡摇臂总成 II SELECTION ROCKER ARM ASSEMBLY II , SHIFT ROCKER ARM ASSEMBLY II	国产动力系列 + 非大同变速器 Domestic Engine Series+Non-Datong Transmission		17-195
17-BA	变速器操纵装置图三 TRANSMISSION CONTROL III	国产动力系列 + 大同变速器 Domestic Engine Series+Datong Transmission		17-199
17-BB	变速器操纵装置图三 TRANSMISSION CONTROL III	国产动力系列 + 大同变速器 Domestic Engine Series+Datong Transmission		17-205
17-BC	变速器悬置图一 TRANSMISSION SUSPENSION I	康明斯、斯太尔、日野车型 CUMMINS、STYER、HINO Models		17-207

22、传动轴系统 /PROPELLER SHAFT SYSTEM

图号 No. Of Figure	名称 Name	适用产品 Products Applied	备注 Remark	页次 Page
22-A	中、后桥间传动轴装置图 I PROPELLER SHAFT BETWEEN INTERMEDIATE AXLE AND REAR AXLE I	435 或 457 桥的所有车型 All Models With 435-Axle Or 457-Axle	中后桥轴距 1310mm Model W/Wheel Base Between Intermediate Axle And Rear Axle 1310mm	22-1
22-B	中、后桥间传动轴装置图 II PROPELLER SHAFT BETWEEN INTERMEDIATE AXLE AND REAR AXLE II	斯泰尔桥的所有车型 All Models Of STEYR Axle	中后桥轴距 1310mm Model W/Wheel Base Between Intermediate Axle And Rear Axle 1310mm	22-3
22-C	中、后桥间传动轴装置图 III PROPELLER SHAFT BETWEEN INTERMEDIATE AXLE AND REAR AXLE III	加宽双后桥 Widened Dual Rear Axle	中后桥轴距 1350mm/1450mm Model W/Wheel Base Between Intermediate Axle And Rear Axle 1350mm/1450mm	22-5
22-D	单后桥传动轴装置图 SINGLE REAR AXLE PROPELLER SHAFT	单后桥车型 Single Rear Axle Model	轴距 3400mm Wheel Base 3400mm	22-7
22-E	中桥传动轴装置图 I INTERMEDIATE AXLE PROPELLER SHAFT I	所有车型 All Models	中桥传动轴有一根 One Intermediate Axle Propeller Shaft	22-9
22-F	中桥传动轴装置图 II INTERMEDIATE AXLE PROPELLER SHAFT II	所有车型 All Models	中桥传动轴有两根 Two Intermediate Axle Propeller Shafts	22-31
22-G	中桥传动轴装置图 III INTERMEDIATE AXLE PROPELLER SHAFT III	所有车型 All Models	中桥传动轴有三根 Three Intermediate Axle Propeller Shafts	22-67
22-H	后桥传动轴内部结构装置图 I REAR AXLE PROPELLER SHAFT INNER STRUCTURE I	2201AD-410	止口定位 Ring Ridge Locating	22-113
22-I	后桥传动轴内部结构装置图 II REAR AXLE PROPELLER SHAFT INNER STRUCTURE II	2201AD-010	止口定位 Ring Ridge Locating	22-115
22-J	中桥传动轴内部结构装置图 I INTERMEDIATE AXLE PROPELLER SHAFT INNER STRUCTURE I	13000N.m	端面齿定位 contrate Gear Locating	22-117
22-K	中桥传动轴内部结构装置图 II INTERMEDIATE AXLE PROPELLER SHAFT INNER STRUCTURE II	13000N.m	端面齿定位 contrate Gear Locating	22-119
22-L	中间传动轴内部结构装置图 I MIDDLE PROPELLER SHAFT INNER STRUCTURE I	15000N.m	端面齿定位 contrate Gear Locating	22-121
22-M	中间传动轴内部结构装置图 II MIDDLE PROPELLER SHAFT INNER STRUCTURE II	15000N.m	端面齿定位 contrate Gear Locating	22-123

24、后桥系统 / REAR AXLE SYSTEM

图号 No. Of Figure	名称 Name	适用产品 Products Applied	备注 Remark	页次 Page
24-A	斯太尔驱动后桥桥壳装置图 STEYR DRIVE REAR AXLE CASE	斯太尔驱动桥车型 STEYR Drive Axle Model		24-1
24-B	斯太尔驱动后桥驱动装置装置图 STEYR DRIVE REAR AXLE DRIVE UNIT	斯太尔驱动桥车型 STEYR Drive Axle Model		24-7
24-C	斯太尔后桥轮边行星减速器 I 装置图 STEYR REAR AXLE HUB PLANETARY REDUCER I	斯太尔驱动桥车型 STEYR Drive Axle Model		24-19
24-D	斯太尔后桥轮边行星减速器 II 装置图 STEYR REAR AXLE HUB PLANETARY REDUCER II	斯太尔驱动桥车型 STEYR Drive Axle Model		24-23
24-E	斯太尔驱动后桥制动器 I 装置图 STEYR DRIVE REAR AXLE BRAKE I	斯太尔驱动桥车型 STEYR Drive Axle Model		24-29
24-F	斯太尔驱动后桥制动器 II 装置图 STEYR DRIVE REAR AXLE BRAKE II	斯太尔驱动桥车型 STEYR Drive Axle Model		24-33
24-G	457 单桥后轮毂及制动鼓总成装置图 457 SINGLE AXLE REAR HUB AND BRAKE DRUM ASSEMBLY	457 单后桥 457-Single Rear Axle		24-37
24-H	457 单桥制动器总成装置图 457 SINGLE AXLE BRAKE ASSEMBLY	457 单后桥 457-Single Rear Axle		24-41
24-I	457 单桥主减速器总成装置图 457 SINGLE AXLE MAIN REDUCER ASSEMBLY	457 单后桥 457-Single Rear Axle		24-47
24-J	457 单后桥总成装置图 457 SINGLE REAR AXLE ASSEMBLY	457 单后桥 457-Single Rear Axle		24-53
24-K	457-6X4 后桥总成 457-6X4 REAR AXLE ASSEMBLY	457 双后桥 457-Dual Rear Axle		24-59
24-L	457-6X4 后桥减速器总成 457-6X4 REAR AXLE REDUCER ASSEMBLY	457 双后桥 457-Dual Rear Axle		24-65

图号 No. Of Figure	名称 Name	适用产品 Products Applied	备注 Remark	页次 Page
24-M	457-6X4 后桥制动器总成 457-6X4 REAR AXLE BRAKE ASSEMBLY	457 双后桥 457-Dual Rear Axle		24-75
24-N	457-6X4 后桥制动鼓总成 457-6X4 REAR AXLE BRAKE DRUM ASSEMBLY	457 双后桥 457-Dual Rear Axle		24-81

25、中桥系统 /INTERMEDIATE AXLE

图号 No. Of Figure	名称 Name	适用产品 Products Applied	备注 Remark	页次 Page
25-A	斯太尔驱动中桥桥壳装置图 STEYR DRIVE INTERMEDIATE AXLE CASE	斯太尔双后桥车型 STEYR Dual Rear Axle		25-1
25-B	斯太尔驱动中桥驱动装置 I 装置图 STEYR DRIVE INTERMEDIATE AXLE DRIVE DEVICE I	斯太尔双后桥车型 STEYR Dual Rear Axle		25-11
25-C	斯太尔驱动中桥驱动装置 II 装置图 STEYR DRIVE INTERMEDIATE AXLE DRIVE DEVICE II	斯太尔双后桥车型 STEYR Dual Rear Axle		25-19
25-D	斯太尔驱动中桥驱动装置 III 装置图 STEYR DRIVE INTERMEDIATE AXLE DRIVE DEVICE III	斯太尔双后桥车型 STEYR Dual Rear Axle		25-25
25-E	斯太尔驱动中桥制动器 I 装置图 STEYR DRIVE INTERMEDIATE AXLE BRAKE I	斯太尔双后桥车型 STEYR Dual Rear Axle		25-31
25-F	斯太尔驱动中桥制动器 II 装置图 STEYR DRIVE INTERMEDIATE AXLE BRAKE II	斯太尔双后桥车型 STEYR Dual Rear Axle		25-35
25-G	457 中桥减速与桥壳总成 457 INTERMEDIATE AXLE REDUCER AND CASE ASSEMBLY	457 双后桥车型 457-Dual Rear Axle		25-39
25-H	457-6X4 中桥制动器 457-6X4 INTERMEDIATE AXLE BRAKE	457 双后桥车型 457-Dual Rear Axle		25-57
25-I	457-6X4 制动鼓总成 457-6X4 BRAKE DRUM ASSEMBLY	457 双后桥车型 457-Dual Rear Axle		25-63

28、车架系统 /FRAME SYSTEM

图号 No. Of Figure	名称 Name	适用产品 Products Applied	备注 Remark	页次 Page
28-A	保险杠装配图 BUMPER			28-1
28-B	窄体保险杠装配图 NARROW CAB BUMPER	窄体系列 Narrow Cab Series		28-5
28-C	欧款系列保险杠装配图 EUROPE BUMPER	欧款系列 Europe Series		28-7
28-D	28A4D 车架爆炸图 28A4D FRAME		3600 + 1350	28-11
28-E	28A4DZ2 车架爆炸图 28A4DZ2 FRAME		4100 + 1350	28-17
28-F	28A4DZ12 车架爆炸图 28A4DZ12 FRAME		4400 + 1350	28-23
28-G	28A4Q15 车架总成爆炸图 28A4Q15 FRAME ASSEMBLY		3200 + 1350	28-29
28-H	28A4DQ1 车架总成爆炸图 28A4DQ1 FRAME ASSEMBLY		3400	28-35
28-I	28A4DP 车架爆炸图 28A4DP FRAME		4710 + 1350	28-41
28-J	28A4DP1 车架爆炸图 28A4DP1 FRAME		5220 + 1350	28-47
28-K	28A4DP3 车架爆炸图 28A4DP3 FRAME		1850 + 4605 + 1350	28-53
28-L	28A4DP4 车架爆炸图 28A4DP4 FRAME		1850 + 3370 + 1350	28-59

图号 No. Of Figure	名称 Name	适用产品 Products Applied	备注 Remark	页次 Page
28-M	28A4DP5 车架爆炸图 28A4DP5 FRAME		1850 + 4000 + 1350	28-65
28-N	28A4DP9 车架爆炸图 28A4DP9 FRAME		5850 + 1350	28-71
28-O	28A4DP10 车架爆炸图 28A4DP10 FRAME		1850 + 5310	28-77
28-P	28A4DZ4 车架爆炸图 28A4DZ4 FRAME		1850 + 3370 + 1350	28-83
28-Q	第一横梁总成装配图 FIRST CROSS MEMBER ASSEMBLY			28-89
28-R	28AD 第二横梁总成装配图 28AD SECOND CROSS MEMBER ASSEMBLY			28-91
28-S	28A2D 第二横梁总成装配图 28A2D SECOND CROSS MEMBER ASSEMBLY			28-93
28-T	28A3D 第二横梁总成装配图 28A3D SECONG CROSS MEMBER ASSEMBLY			28-95
28-U	28A4D 第二横梁装配图 28A4D SECOND CROSS MEMBER			28-97
28-V	左右支架总成—第三横梁装配图 LEFT AND RIGHT BRACKET ASSEMBLY-THIRD CROSS MEMBER			28-99
28-W	第三横梁左右总成装配图 THIRD CROSS MEMBER ASSEMBLY		斯太尔动力 STEYR Engine	28-101
28-X	第三横梁左右总成装配图 THIRD CROSS MEMBER LEFT AND RIGHT ASSEMBLY		康明斯动力 CUMMINS Engine	28-103
28-Y	第四横梁总成装配图 FOURTH CROSS MEMBER ASSEMBLYL			28-105
28-Z	28A4DP5 第四横梁总成装配图 28A4DP5 FOURTH CROSS MEMBER ASSEMBLY			28-107

图号 No. Of Figure	名称 Name	适用产品 Products Applied	备注 Remark	页次 Page
28-AA	第五横梁总成装配图 FIFTH CROSS MEMBER ASSEMBLY			28-109
28-AB	28AP 第五横梁总成装配图 28AP FIFTH CROSS MEMBER ASSEMBLY			28-111
28-AC	28ADP7 第五横梁总成装配图 28ADP7 FIFTH CROSS MEMBER ASSEMBLY			28-113
28-AD	28A4DP8 传动轴中间支撑横梁总成装配图 28A4DP8 PROPELLER SHAFT CENTER SUPPORT CROSS MEMBER ASSEMBLY			28-115
28-AE	28AP 第六横梁总成装配图 28AP SIXTH CROSS MEMBER ASSEMBLY			28-117
28-AF	28A 第六横梁装配图 28A SIXTH CROSS MEMBER			28-119
28-AG	28AZ 第六横梁装配图 28AZ SIXTH CROSS MEMBER			28-121
28-AH	28ADQ 第六横梁装配图 28ADQ SIXTH CROSS MEMBER			28-123
28-AI	28AD 第七横梁装配图 28AD SEVENTH CROSS MEMBER			28-125
28-AJ	28AP 第八横梁总成装配图 28AP EIGHTH CROSS MEMBER ASSEMBLY			28-127
28-AK	28AH4D 左右纵梁装配图 28AH4D LEFT AND RIGHT SIDE MEMBER			28-129
28-AL	28A4DZ2 左右纵梁装配图 28A4DZ2 LEFT AND RIGHT SIDE MEMBER			28-135
28-AM	28A4DZ12 左右纵梁装配图 28A4DZ12 LEFT AND RIGHT SIDE MEMBER			28-141
28-AN	28A4DQ15 左右纵梁装配图 28A4DQ15 LEFT AND RIGHT SIDE MEMBER			28-147

图号 No. Of Figure	名称 Name	适用产品 Products Applied	备注 Remark	页次 Page
28-AO	28AH4DQ1 左右纵梁装配图 28AH4DQ1 LEFT AND RIGHT SIDE MEMBER			28-153
28-AP	28AH4DP 左右纵梁装配图 28AH4DP LEFT AND RIGHT SIDE MEMBER			28-157
28-AQ	28AH4DP1 左右纵梁装配图 28AH4DP1 LEFT AND RIGHT SIDE MEMBER			28-163
28-AR	28AH4DP9 左右纵梁装配图 28AH4DP9 LEFT AND RIGHT SIDE MEMBER			28-169
28-AS	28AH4DP3 左右纵梁装配图 28AH4DP3 LEFT AND RIGHT SIDE MEMBER			28-175
28-AT	28AH4DP4 左右纵梁装配图 28AH4DP4 LEFT AND RIGHT SIDE MEMBER			28-181
28-AU	28AH4DP5 左右纵梁装配图 28AH4DP5 LEFT AND RIGHT SIDE MEMBER			28-187
28-AV	28AH4DP10 左右纵梁装配图 28AH4DP10 LEFT AND RIGHT SIDE MEMBER			28-193
28-AW	28AH4DZ4 左右纵梁装配图 28AH4DZ4 LEFT AND RIGHT SIDE MEMBER			28-197
28-AX	28A 第二横梁装配图 28A SECOND CROSS MEMBER			28-203
28-AY	左右支架 - 第三横梁装配图 LEFT AND RIGHT BRACKET-THIRD CROSS MEMBER			28-205
28-AZ	第四横梁装配图 FOURTH CROSS MEMBER			28-207
28-BA	28A4DP5 第四横梁装配图 28A4DP5 FOURTH CROSS MEMBER			28-209
28-BB	第五横梁装配图 FIFTH CROSS MEMBER			28-211

图号 No. Of Figure	名称 Name	适用产品 Products Applied	备注 Remark	页次 Page
28-BC	28AP 传动轴中间支撑横梁图 28AP PROPELLER SHAFT CENTER SUPPORT CROSS MEMBER			28-213
28-BD	28ADP7 第五横梁装配图 28ADP7 FIFTH CROSS MEMBER			28-215
28-BE	28A4DP8 传动轴中间支撑横梁装配图 28A4DP8 PROPELLER SHAFT CENTER SUPPORT CROSS MEMBER			28-217
28-BF	28AP 第六横梁装配图 28AP SIXTH CROSS MEMBER			28-219
28-BG	拖钩装置图 TOWING HOOK			28-221

29、悬架系统 /SUSPENSION SYSTEM

图号 No. Of Figure	名称 Name	适用产品 Products Applied	备注 Remark	页次 Page
29-A	前板簧吊耳座装置图 I FRONT LEAF SPRING SHACKLE SEAT I	康明斯发动机系列车型 CUMMINS Engine Series	车架左侧 Left Side Of The Frame	29-1
29-B	前板簧吊耳座装置图 II FRONT LEAF SPRING SHACKLE SEAT II	康明斯发动机系列车型 CUMMINS Engine Series	车架右侧 Right Side Of The Frame	29-3
29-C	前板簧吊耳座装置图 III FRONT LEAF SPRING SHACKLE SEAT III	斯泰尔发动机系列车型 STEYR Engine Series	车架左侧 Left Side Of The Frame	29-5
29-D	前板簧吊耳座装置图 IV FRONT LEAF SPRING SHACKLE SEAT IV	斯泰尔发动机系列车型 STEYR Engine Series	车架右侧 Right Side Of The Frame	29-7
29-E	前板簧吊耳装置图 FRONT LEAF SPRING SHACKLE	康明斯、斯泰尔发动机系列车型 CUMMINS, STEYR Engine Series	左右对称 Left And Right Are Symetrical	29-9
29-F	四桥车前板簧支架装置图 I 4-AXLE VEHICLE FRONT LEAF SPRING BRACKET I	所有四桥车型 All 4-Axle Vehicle	左右对称 Left And Right Are Symetrical	29-11
29-G	四桥车前板簧支架装置图 II 4-AXLE VEHICLE FRONT LEAF SPRING BRACKET II	所有四桥车型 All 4-Axle Vehicle	左右对称 Left And Right Are Symetrical	29-13
29-H	四桥车限位块挡块装置图 I 4-AXLE VEHICLE LIMITING STOPPER I	所有四桥车型 All 4-Axle Vehicle	车架右侧 Right Side Of The Frame	29-15
29-I	四桥车限位块挡块装置图 II 4-AXLE VEHICLE LIMITING STOPPER II	所有四桥车型 All 4-Axle Vehicle	车架左侧 Left Side Of The Frame	29-17
29-J	减震器装置图 SHOCK ABSORBER	所有非四桥车型 All Non 4-Axle Vehicle	左右对称 Left And Right Are Symetrical	29-19
29-K	四桥车减震器装置图 I 4-AXLE VEHICLE SHOCK ABSORBER I	所有四桥车型 All 4-Axle Vehicle	左右对称 Left And Right Are Symetrical	29-21
29-L	四桥车减震器装置图 II 4-AXLE VEHICLE SHOCK ABSORBER II	所有四桥车型 All 4-Axle Vehicle	左右对称 Left And Right Are Symetrical	29-23

图号 No. Of Figure	名称 Name	适用产品 Products Applied	备注 Remark	页次 Page
29-M	平衡轴装置图 I TRUNNION SHAFT I	中、后桥轴距 1310mm 车型 Model W/Wheel Base Between Intermediate Axle And Rear Axle 1310mm	五十铃结构 ISUZU Structure	29-25
29-N	平衡轴装置图 II TRUNNION SHAFT II	中、后桥轴距 1350mm 车型 Model W/Wheel Base Between Intermediate Axle And Rear Axle 1350mm	三菱结构 Mitsubishi Structure	29-27
29-O	板簧挡块装置图 I LEAF SPRING STOPPER I	板簧中心距 1002mm 车型 Model W/Leaf Spring Centre Distance 1002mm	左右对称 Left And Right Are Symetrical	29-29
29-P	板簧挡块装置图 II LEAF SPRING STOPPER II	板簧中心距 1040mm 车型 Model W/Leaf Spring Centre Distance 1040mm	左右对称 Left And Right Are Symetrical	29-31
29-Q	后板簧装置图 I REAR LEAF SPRING I	中、后桥轴距 1310mm 车型 Model W/Wheel Base Between Intermediate Axle And Rear Axle 1310mm	左右对称 Left And Right Are Symetrical	29-33
29-R	后板簧装置图 II REAR LEAF SPRING II	中、后桥轴距 1310mm 车型 Model W/Wheel Base Between Intermediate Axle And Rear Axle 1310mm	左右对称 Left And Right Are Symetrical	29-35
29-S	后板簧装置图 III REAR LEAF SPRING III	中、后桥轴距 1310mm 车型 Model W/Wheel Base Between Intermediate Axle And Rear Axle 1310mm	左右对称 Left And Right Are Symetrical	29-37
29-T	后板簧装置图 IV REAR LEAF SPRING IV	中、后桥轴距 1350mm 车型 Model W/Wheel Base Between Intermediate Axle And Rear Axle 1350mm	左右对称 Left And Right Are Symetrical	29-39
29-U	前板簧装置图 I FRONT LEAF SPRING I	所有非四桥车型 All Non 4-Axle Vehicle	车架左侧 Left Side Of The Frame	29-41
29-V	前板簧装置图 II FRONT LEAF SPRING II	所有非四桥车型 All Non 4-Axle Vehicle	车架右侧 Right Side Of The Frame	29-43
29-W	前板簧装置图 III FRONT LEAF SPRING III	所有非四桥车型 All Non 4-Axle Vehicle	左右对称 Left And Right Are Symetrical	29-45
29-X	四桥车前板簧装置图 I 4-AXLE VEHICLE FRONT LEAF SPRING I	所有四桥车型 All 4-Axle Vehicle	车架左侧 Left Side Of The Frame	29-47
29-Y	四桥车前板簧装置图 II 4-AXLE VEHICLE FRONT LEAF SPRING II	所有四桥车型 All 4-Axle Vehicle	车架右侧 Right Side Of The Frame	29-49

图号 No. Of Figure	名称 Name	适用产品 Products Applied	备注 Remark	页次 Page
29-Z	四桥车前板簧装置图III 4-AXLE VEHICLE FRONT LEAF SPRING III	所有四桥车型 All 4-Axle Vehicle	左右对称 Left And Right Are Symetrical	29-51
29-AA	单桥后悬架装置图 SINGLE AXLE REAR SUSPENSION	单后桥车型 Single Rear Axle Model	左右对称 Left And Right Are Symetrical	29-53
29-AB	推力杆装置图 I DISTANCE ROD I	中、后桥轴距 1310mm 车型 Model W/Wheel Base Between Intermediate Axle And Rear Axle 1310mm	五十铃结构平衡轴 ISUZU Structure Trunnion Shaft	29-57
29-AC	推力杆装置图 II DISTANCE ROD II	中、后桥轴距 1350mm 车型 Model W/Wheel Base Between Intermediate Axle And Rear Axle 1350mm	三菱结构平衡轴 Mitsubishi Structure Trunnion Shaft	29-81
29-AD	推力杆装置图 III DISTANCE ROD III	中、后桥轴距 1310mm 车型 Model W/Wheel Base Between Intermediate Axle And Rear Axle 1310mm	五十铃结构平衡轴 ISUZU Structure Trunnion Shaft	29-87
29-AE	推力杆装置图 IV DISTANCE ROD IV	中、后桥轴距 1350mm 车型 Model W/Wheel Base Between Intermediate Axle And Rear Axle 1350mm	三菱结构平衡轴 Mitsubishi Structure Trunnion Shaft	29-91
29-AF	限位块装置图 I LIMITING STOPPER I	中、后桥轴距 1310mm 车型 Model W/Wheel Base Between Intermediate Axle And Rear Axle 1310mm	五十铃结构平衡轴 ISUZU Structure Trunnion Shaft	29-95
29-AG	限位块装置图 II LIMITING STOPPER II	中、后桥轴距 1350mm 车型 Model W/Wheel Base Between Intermediate Axle And Rear Axle 1350mm	三菱结构平衡轴 Mitsubishi Structure Trunnion Shaft	29-97

30、前轴系统 /FRONT AXLE SYSTEM

图号 No. Of Figure	名称 Name	适用产品 Products Applied	备注 Remark	页次 Page
30-A	解放前轴前桥管路图 JIEFANG FRONT AXLE LINE			30-1
30-B	解放前轴展开图 JIEFANG FRONT AXLE			30-3
30-C	解放前轴展开图 JIEFANG FRONT AXLE			30-9
30-D	解放前轴展开图 JIEFANG FRONT AXLE			30-15
30-E	泰州前轴展开图 TAIZHOU FRONT AXLE			30-19
30-F	泰州前轴轮毂展开图 TAIZHOU FRONT AXLE HUB			30-25
30-G	泰州前轴制动器展开图 TAIZHOU FRONT AXLE BRAKE			30-29

31、车轮及轮毂系统 /WHEEL AND HUB SYSTEM

图号 No. Of Figure	名称 Name	适用产品 Products Applied	备注 Remark	页次 Page
31-A	双后桥车型轮胎装置图 DUAL REAR AXLE MODEL TIRE			31-1
31-B	单后桥车型轮胎装置图 SINGLE REAR AXLE MODEL TIRE			31-3
31-C	轮胎装置图 I TIRE I			31-5
31-D	轮胎装置图 II TIRE II			31-7
31-E	备胎架及其升降机构 I SPARE-TIRE CARRIER AND ITS LIFT MECHANISM I	1850 + 3370/4000/4605 + 1350 货车 1850 + 3370/4000/4605 + 1350 Truck	5850 + 1350/5220 + 1350/4710 + 1350 轴距货车 Truck W/Wheel Base 5850 + 1350/5220 + 1350/4710 + 1350	31-9
31-F	备胎架及其升降机构 II SPARE-TIRE CARRIER AND ITS LIFT MECHANISM II	3600/4100/4400 + 1350、1850 + 3370 + 1350 搅 拌及自卸车、1850 + 4000 + 1350 自卸车 3600/4100/4400 + 1350、1850 + 3370 + 1350 Mixer And Dump Truck,1850 + 4000 + 1350 Dump Truck		31-11

34、转向系统 /STEERING SYSTEM

图号 No. Of Figure	名称 Name	适用产品 Products Applied	备注 Remark	页次 Page
34-A	转向直拉杆和转向垂臂图 STEERING DRAG LINK AND STEERING DROP ARM			34-1
34-B	3401AD-010 转向器展开图 3401AD-010 STEERING GEAR			34-5
34-C	3401AD-010-B 转向器展开图 3401AD-010-B STEERING GEAR			34-11
34-D	转向管柱图 STEERING COLUMN			34-17
34-E	转向直拉杆和垂臂图 STEERING DRAG LINK AND STEERING DROP ARM			34-23
34-F	中间臂支架及垂臂图 MIDDLE ARM BRACKET AND DROP ARM			34-27
34-G	转向器连转向管柱图 STEERING GEAR CONNECTING STEERING COLUMN			34-29
34-H	转向油管连转向油泵图 STEERING OIL PIPE CONNECTING STEERING OIL PUMP			34-31
34-I	转向油管图 STEERING OIL PIPE			34-33
34-J	右驾转向直拉杆和转向垂臂图 STEERING DRAG LINK AND STEERING DROP ARM OF RHD			34-35
34-K	右驾转向器展开图 STEERING GEAR OF RHD			34-39

35、制动系统 /BRAKE SYSTEM

图号 No. Of Figure	名称 Name	适用产品 Products Applied	备注 Remark	页次 Page
35-A	驾驶室部分制动系统装置图 BRAKE SYSTEM IN CAB			35-1
35-B	储气筒装置图 AIR RESERVOIR			35-9
35-C	储气筒安装总成图 AIR RESERVOIR INSTALLATION			35-15
35-D	四桥车制动原理图 4-AXLE VEHICLE BRAKE	四桥车 4-Axle Vehicle		35-19
35-E	6×4 系列底盘制动原理图 (A 型) 6×4 SERIES CHASSIS BRAKE(A TYPE)	斯太尔系列 STEYR Series		35-23
35-F	6×4 系列底盘制动原理图 (B 型) 6×4 SERIES CHASSIS BRAKE(B TYPE)	搅拌、自卸、货车 Mixer, Dump Truck, Truck		35-27
35-G	双后桥装配图 (NO ABS) DUAL REAR AXLE (W/O ABS)			35-31
35-H	双后桥预装配图 (配 ABS) DUAL REAR AXLE(W/ABS)			35-33
35-I	单后桥预装配图 (NO ABS) SINGLE REAR AXLE(W/O ABS)			35-35
35-J	单后桥预装配图 (配 ABS) SINGLE REAR AXLE(W/ ABS)			35-37
35-K	挂车阀及螺旋管预装图 TRAILER BRAKE VALVE AND SPIRAL TUBE	牵引车 Tractor		35-39
35-L	6×4 牵引车制动原理图 6×4 TRACTOR BRAKE			35-43

图号 No. Of Figure	名称 Name	适用产品 Products Applied	备注 Remark	页次 Page
35-M	4×2 牵引车制动原理图 4×2 TRACTOR BRAKE			35-49
35-N	空压机系统预装图 AIR COMPRESSOR SYSTEM			35-53
35-O	气源连接图 AIR SOURCE			35-59
35-P	辅助用气原理图 AIDED AIR THEORY			35-63
35-Q	右驾驶室部分制动系统装置图 BRAKE SYSTEM IN CAB OF RHD	右驾车型 RHD		35-67

36、电子装置系统 /ELECTRIC DEVICE SYSTEM

图号 No. Of Figure	名称 Name	适用产品 Products Applied	备注 Remark	页次 Page
36-A	车速, 闪光, 多功能控制器装置图 VEHICLE SPEED,FLASHER,MULTI-CONTROLLER			36-1
36-B	脉冲分配器装置图 PULSE DISTRIBUTOR			36-3
36-C	电动门窗控制装置图 POWER WINDOW CONTROLLER			36-5
36-D	水位传感器, 燃油液位传感器 WATER LEVEL SENSOR,FUEL LEVEL SENSOR			36-7
36-E	气压传感器 AIR PRESSURE SENSOR			36-9
36-F	油门传感器, 车速传感器 THROTTLE SENSOR, SPEED SENSOR			36-11
36-G	ABS 控制器 ABS CONTROLLER	康明斯发动机系列 CUMMINS Engine Series		36-13
36-H	ABS 控制器 ABS CONTROLLER	斯太尔发动机系列 STEYR Engine Series		36-17
36-I	车速传感器、机油压力传感器、水温传感器 SPEED SENSOR, OIL PRESSURE SENSOR, WATER TEMPERATURE SENSOR			36-19

37、电气设备系统 /ELECTRIC EQUIPMENT SYSTEM

图号 No. Of Figure	名称 Name	适用产品 Products Applied	备注 Remark	页次 Page
37-A	翘板开关装置图 I PADDLE SWITCH I			37-1
37-B	翘板开关装置图 II PADDLE SWITCH II			37-3
37-C	翘板开关装置图 III PADDLE SWITCH III			37-7
37-D	蓄电池框装置图 BATTERY FRAME			37-9
37-E	蓄电池框支架图 BATTERY FRAME BRACKET			37-13
37-F	蓄电池框挡板装置图 BATTERY FRAME BAFFLE			37-15
37-G	大电流保险丝盒装置图 HIGH CURRENT FUSE BOX			37-17
37-H	大电流保险丝盒座 HIGH CURRENT FUSE BOX BASE			37-19
37-I	主电源继电器, 起动继电器装置图 PRIMARY POWER SUPPLY RELAY, STARTER RELAY			37-21
37-J	音响总成 AUDIO ASSEMBLY			37-23
37-K	电、气喇叭, 蜂鸣器装置 ELECTRIC HORN, AIR HORN, BUZZER			37-25
37-L	车尾灯, 蜂鸣器装置 TAILLAMP, BUZZER			37-27

图号 No. Of Figure	名称 Name	适用产品 Products Applied	备注 Remark	页次 Page
37-M	车尾灯, 蜂鸣器装置 TAILLAMP, BUZZER			37-31
37-N	示廓灯, 车速灯 CLEARANCE LIGHT, SPEED LIGHT			37-33
37-O	侧转向灯, 踏步灯装置 SIDE TURN LIGHT, STEP LAMP			37-35
37-P	前组合灯, 雾灯 FRONT COMBINATION LIGHT, FOG LIGHT			37-37
37-Q	室内荧光灯, 阅读灯 (平顶车) INDOOR FLUORESCENT LAMP, READING LAMP (FLAT ROOF VEHICLE)			37-43
37-R	点烟器装置 CIGAR LIGHTER			37-45
37-S	进气加热器指示器总成 INTAKE HEATER INDICATOR ASSEMBLY			37-47
37-T	组合开关, 点火锁装置 COMBINATION SWITCH, IGNITION LOCK			37-49
37-U	熄火电机, 龙门架线束, 空气滤清传感器 ENGINE STOP MOTOR, GANTRY WIRE HARNESS, AIR FILTER SENSOR			37-51
37-V	雨刮器总成 WIPER ASSEMBLY			37-53
37-W	ABS 七孔插座 ABS 7-JACK SOCKET			37-55
37-X	预热继电器 PRE-HEATING RELAY			37-57
37-Y	继电器盒装置 RELAY BOX			37-59
37-Z	保险丝盒 FUSE BOX			37-63

图号 No. Of Figure	名称 Name	适用产品 Products Applied	备注 Remark	页次 Page
37-AA	离合器开关 CLUTCH SWITCH			37-67
37-AB	支架, 线夹 BRACKET,WIRE CLIP			37-69
37-AC	扎带, 定位夹 BAND, LOCATING CLAMP			37-75
37-AD	整车线束 COMPLETE VEHICLE WIRE HARNESS			37-79
37-AE	高顶车示廓灯, 气喇叭, 室内照明 HIGH ROOF VEHICLE CLEARANCE LAMP, AIR HORN, INTERIOR LIGHTING	高顶车 High Roof Vehicle		37-113
37-AF	发电机 GENERATOR			37-115

38、仪器仪表系统 /INSTRUMENT AND METER SYSTEM

图号 No. Of Figure	名称 Name	适用产品 Products Applied	备注 Remark	页次 Page
38-A	组合仪表装置图 COMBINATION METER			38-1

39、随车工具 /DRIVER'S TOOL

图号 No. Of Figure	名称 Name	适用产品 Products Applied	备注 Remark	页次 Page
39-A	随车工具 DRIVER'S TOOL			39-1

50、车身系统 /BODY SYSTEM

图号 No. Of Figure	名称 Name	适用产品 Products Applied	备注 Remark	页次 Page
50-A	驾驶室总成 CAB ASSEMBLY		平顶驾驶室专用 Only For Flat Roof Cab	50-1
50-B	窄体驾驶室总成 NARROW CAB ASSEMBLY	窄体系列 Narrow Cab Series	平顶驾驶室专用 Only For Flat Roof Cab	50-5
50-C	右驾驾驶室总成 CAB ASSEMBLY FOR RHD	右驾系列 RHD Series	平顶驾驶室专用 Only For Flat Roof Cab	50-9
50-D	驾驶室总成 CAB ASSEMBLY		高顶驾驶室专用 Only For High Roof Cab	50-13
50-E	右驾驾驶室总成 CAB ASSEMBLY FOR RHD	右驾系列 RHD Series	高顶驾驶室专用 Only For High Roof Cab	50-17
50-F	驾驶室前悬置 CAB FRONT MOUNTING			50-21
50-G	驾驶室后悬置 CAB REAR MOUNTING			50-27
50-H	驾驶室翻转器 CAB TILT DEVICE			50-31
50-I	右驾驾驶室翻转器 CAB TILT DEVICE FOR RHD	右驾系列 RHD Series		50-39
50-J	轮罩 WHEEL HOUSING			50-43
50-K	发动机护罩 ENGINE PROTECTING COVER			50-47

51、车身地板系统 /BODY FLOOR SYSTEM

图号 No. Of Figure	名称 Name	适用产品 Products Applied	备注 Remark	页次 Page
51-A	地板堵盖系列 FLOOR BLOCK COVER SERIES			51-1
51-B	后置物盒 REAR STORAGE BOX			51-3
51-C	右驾后置物盒 REAR STORAGE BOX FOR RHD	右驾系列 RHD Series		51-9
51-D	排档罩 SHIFT COVER			51-15
51-E	右驾排档罩 SHIFT COVER FOR RHD	右驾系列 RHD Series		51-17
51-F	驾驶室地毯 CAB FLOOR CARPET			51-19
51-G	右驾驾驶室地毯 CAB FLOOR CARPET FOR RHD	右驾系列 RHD Series		51-23
51-H	软挡泥板 SOFT FENDER			51-27
51-I	下脚踏板 LOWER PEDAL			51-31
51-J	欧款下脚踏板 EUROPE LOWER PEDAL	欧款系列 Europe Series		51-37
51-K	上脚踏板 UPPER PEDAL			51-43

52、风窗系统 /WINDSHIELD SYSTEM

图号 No. Of Figure	名称 Name	适用产品 Products Applied	备注 Remark	页次 Page
52-A	刮水器、洗涤器 WIPER,WASHER			52-1
52-B	刮水器、洗涤器 WIPER,WASHER	右驾系列 RHD Series		52-3
52-C	驾驶室玻璃 CAB GLASS			52-5

53、前围系统 /FRONT-WALL SYSTEM

图号 No. Of Figure	名称 Name	适用产品 Products Applied	备注 Remark	页次 Page
53-A	驾驶室仪表板 CAB DASHBOARD			53-1
53-B	右驾驾驶室仪表板 CAB DASHBOARD FOR RHD	右驾系列 RHD Series		53-7
53-C	驾驶室前内护板 CAB FRONT INNER SHIELD			53-13
53-D	右驾驾驶室前内护板 CAB FRONT INNER SHIELD FOR RHD	右驾系列 RHD Series		53-17
53-E	仪表罩 INSTRUMENT SHROUD			53-21
53-F	右驾仪表罩 INSTRUMENT SHROUD FOR RHD	右驾系列 RHD Series		53-23

56、后围系统 /REAR QUARTER SYSTEM

图号 No. Of Figure	名称 Name	适用产品 Products Applied	备注 Remark	页次 Page
56-A	后围进气道总成 REAR QUARTER INTAKE DUCT ASSEMBLY			56-1

57、侧围、顶盖系统 /QUARTER,ROOF SYSTEM

图号 No. Of Figure	名称 Name	适用产品 Products Applied	备注 Remark	页次 Page
57-A	驾驶室前顶部件 CAB FRONT ROOF SET		低顶驾驶室专用 Only For Low Roof Cab	57-1
57-B	顶盖内顶部件 CAB INNER ROOF SET		低顶驾驶室专用 Only For Low Roof Cab	57-7
57-C	驾驶室前顶部件 CAB FRONT ROOF SET		高顶驾驶室专用 Only For High Roof Cab	57-15
57-D	顶盖内顶部件 I CAB INNER ROOF SET I		高顶驾驶室专用 Only For High Roof Cab	57-21
57-E	顶盖内顶部件 II CAB INNER ROOF SET II		高顶驾驶室专用 Only For High Roof Cab	57-27
57-F	遮阳罩 SUNSHADE		高顶驾驶室专用 Only For High Roof Cab	57-33

61、车门系统 /DOOR ASSEMBLY

图号 No. Of Figure	名称 Name	适用产品 Products Applied	备注 Remark	页次 Page
61-A	车门门锁 DOOR LOCK			61-1
61-B	车门导轨升降器 DOOR RAIL REGULATOR			61-5
61-C	车门内护板 DOOR INSIDE PROTECTING PLATE			61-9
61-D	车门铰链 DOOR HINGE			61-13
61-E	车门玻璃、密封条 DOOR GLASS,WEATHER STRIP			61-17

68、座椅、卧铺系统 /SEAT, SLEEPING BERTH SYSTEM

图号 No. Of Figure	名称 Name	适用产品 Products Applied	备注 Remark	页次 Page
68-A	座椅、卧铺 SEAT,SLEEPING BERTH		低顶驾驶室专用 Only For Low Roof Cab	68-1
68-B	座椅、卧铺系统 (右驾系列) SEAT,SLEEPING BERTH SYSTEM (RHD SERIES)	右驾系列 RHD Series	低顶驾驶室专用 Only For Low Roof Cab	68-3
68-C	座椅、卧铺系统 SEAT,SLEEPING BERTH SYSTEM		高顶驾驶室专用 Only For High Roof Cab	68-5
68-D	座椅、卧铺系统 (右驾系列) SEAT,SLEEPING BERTH SYSTEM (RHD SERIES)	右驾系列 RHD Series	高顶驾驶室专用 Only For High Roof Cab	68-7

81、空气调节系统 /AIR CONDITIONING SYSTEM

图号 No. Of Figure	名称 Name	适用产品 Products Applied	备注 Remark	页次 Page
81-A	控制面板、三箱体 CONTROL PANEL,THREE-BOX BODY			81-1
81-B	控制面板、三箱体(右驾系列) CONTROL PANEL,THREE-BOX BODY(RHD SERIES)	右驾系列 RHD Series		81-5
81-C	暖风管路 HEATER PIPELINE		康明斯系列发动机空调专用 Only For CUMMINS Series Engine Air Conditioning	81-7
81-D	压缩机、管路、冷凝器 COMPRESSOR,PIPELINE,CONDENSER		康明斯系列发动机空调专用 Only For CUMMINS Series Engine Air Conditioning	81-13
81-E	暖风管路 HEATER PIPELINE		斯太尔系列发动机专用 Only For STEYR Series Engine	81-23
81-F	压缩机、管路、冷凝器 COMPRESSOR,PIPELINE,CONDENSER		斯太尔系列发动机空调专用 Only For STEYR Series Engine Air Conditioning	81-27

82、附件系统 /ACCESSORY SYSTEM

图号 No. Of Figure	名称 Name	适用产品 Products Applied	备注 Remark	页次 Page
82-A	后视镜、遮阳板 REAR VIEW MIRROR, SUNSHADE		低顶驾驶室专用 Only For Low Roof Cab	82-1
82-B	后视镜、遮阳板(右驾系列) REAR VIEW MIRROR, SUNSHADE(RHD SERIES)	右驾系列 RHD Series	低顶驾驶室专用 Only For Low Roof Cab	82-7
82-C	安全带装置 SEAT BELT			82-13
82-D	安全带装置(右驾系列) SEAT BELT (RHD SERIES)	右驾系列 RHD Series		82-15
82-E	扶手 ARM REST			82-17
82-F	后视镜、遮阳板 REAR VIEW MIRROR, SUNSHADE		低顶驾驶室专用 Only For Low Roof Cab	82-23
82-G	后视镜、遮阳板(右驾系列) REAR VIEW MIRROR, SUNSHADE (RHD SERIES)	右驾系列 RHD Series	高顶驾驶室专用 Only For High Roof Cab	82-29

84、前盖板组件 /FRONT COVER PANEL SET

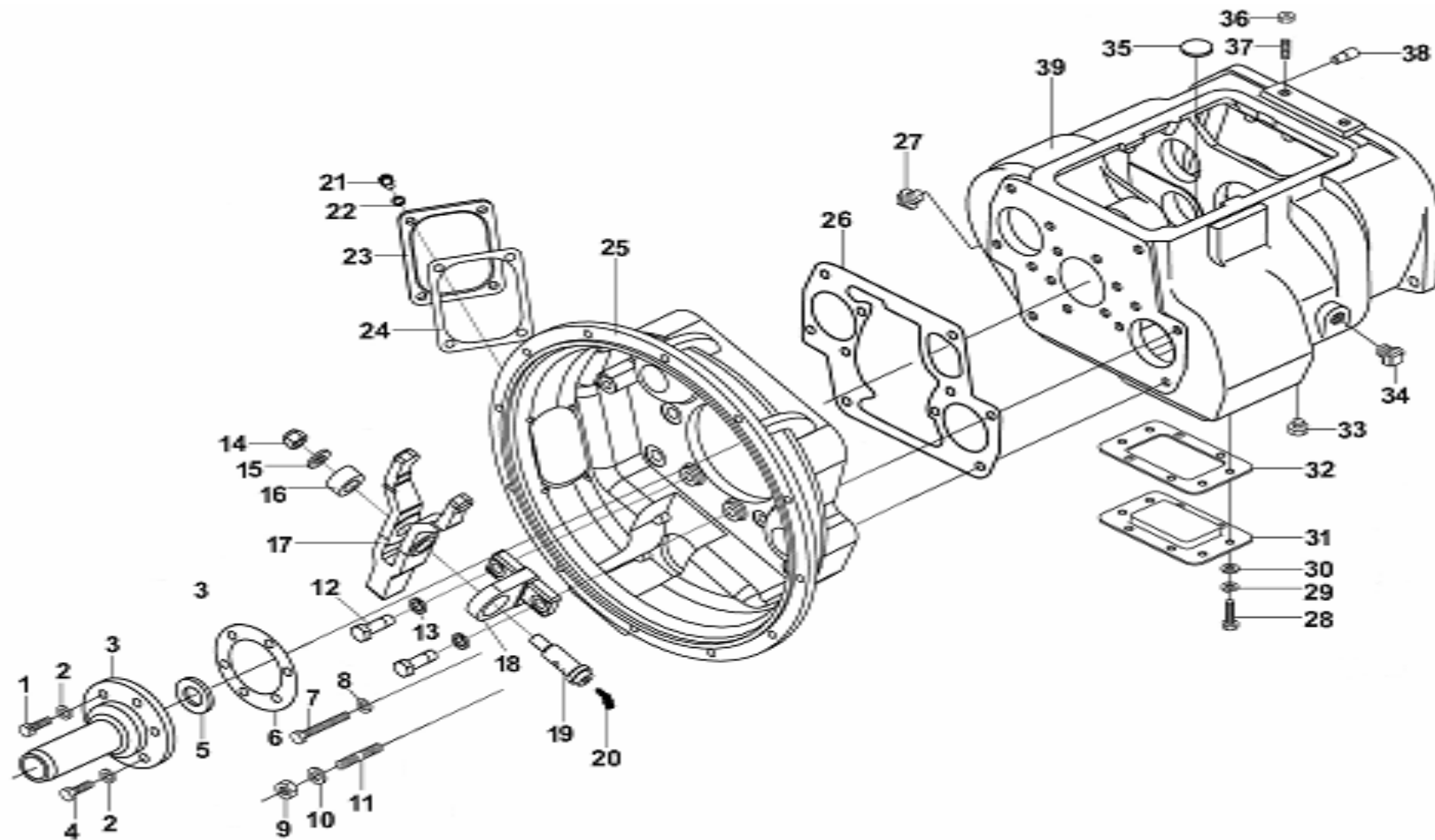
图号 No. Of Figure	名称 Name	适用产品 Products Applied	备注 Remark	页次 Page
84-A	前盖板 FRONT COVER PANEL			84-1
84-B	欧款前围外饰件 FRONT-WALL EXTERIOR TRIMMING PARTS FOR EUROPE MODEL	欧款系列 Europe Series		84-7
84-C	窄体前围外饰件 FRONT-WALL EXTERIOR TRIMMING PARTS FOR NARROW CAB MODEL	窄体系列 Narrow Cab Series		84-11
84-D	盖板操纵机构 COVER PANEL CONTROL MECHANISM			84-15

17

变速器及其操纵系统
TRANSMISSION AND
THE CONTROL
SYSTEM

变速器 and 离合器壳体装置图 / TRANSMISSION AND CLUTCH CASE

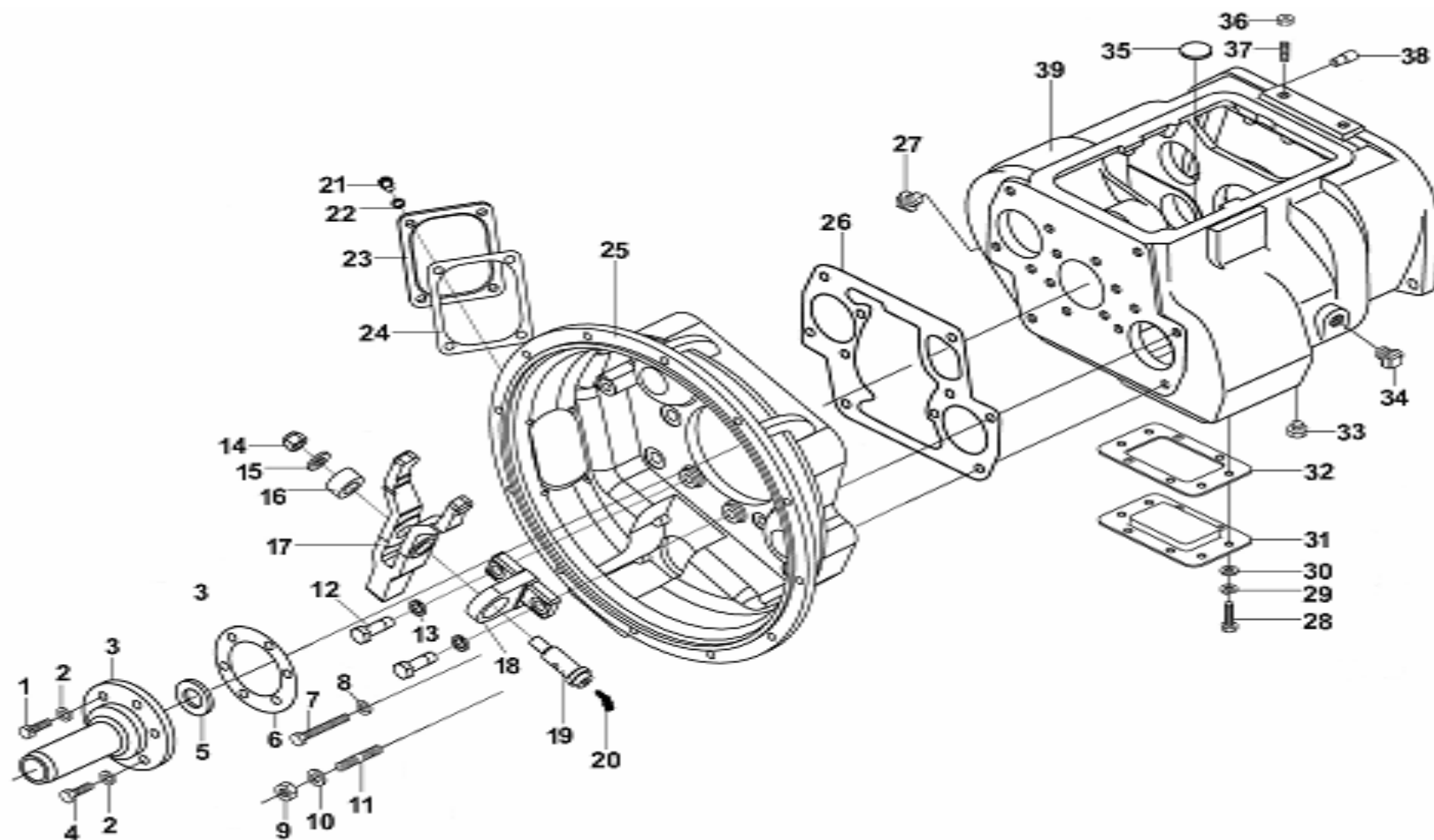
17-A



序号 No.	件号 Part No.	数量 Quantity	名称 Name	规格 Specification	适用产品 Products Applied	备注 Remark
1	Q1701032	2	六角头头部带孔螺栓 Hexagon Head Bolt With Hole	M10×32		
2	GB93-87	6	弹簧垫圈 Spring Washer	M10		
3	JS180-1701040-1	1	一轴轴承盖 No.1 Shaft Bearing Cap			
4	GB5782-86	4	六角头螺栓 Hexagon Head Bolt	M10×32		
5	F500A-1802191	1	一轴轴承盖油封 No.1 Shaft Bearing Cap Oil Seal			
6	14311	1	一轴轴承盖衬垫 No.1 Shaft Bearing Cap Gasket			
7	GB5783-86	2	小六角头螺栓 Small Hexagon Head Bolt	M12×90		
8	GB93-87	12	弹簧垫圈 Spring Washer	M12		
9	GB889-80	6	六角尼龙圈锁紧螺母 Hexagon Nylon Ring Lock Nut	M16×1.5		
10	GB95-85	6	垫圈 Washer	M16		
11	C01056	6	双头螺栓 Stud Bolt			
12	GB21-76	2	小六角头螺栓 Small Hexagon Head Bolt	M16×45		
13	GB93-76	2	弹簧垫圈 Spring Washer	M16		
14	GB889-80	1	六角尼龙圈锁紧螺母 Hexagon Nylon Ring Lock Nut	M16×1.5		

变速器 and 离合器壳体装置图 / TRANSMISSION AND CLUTCH CASE

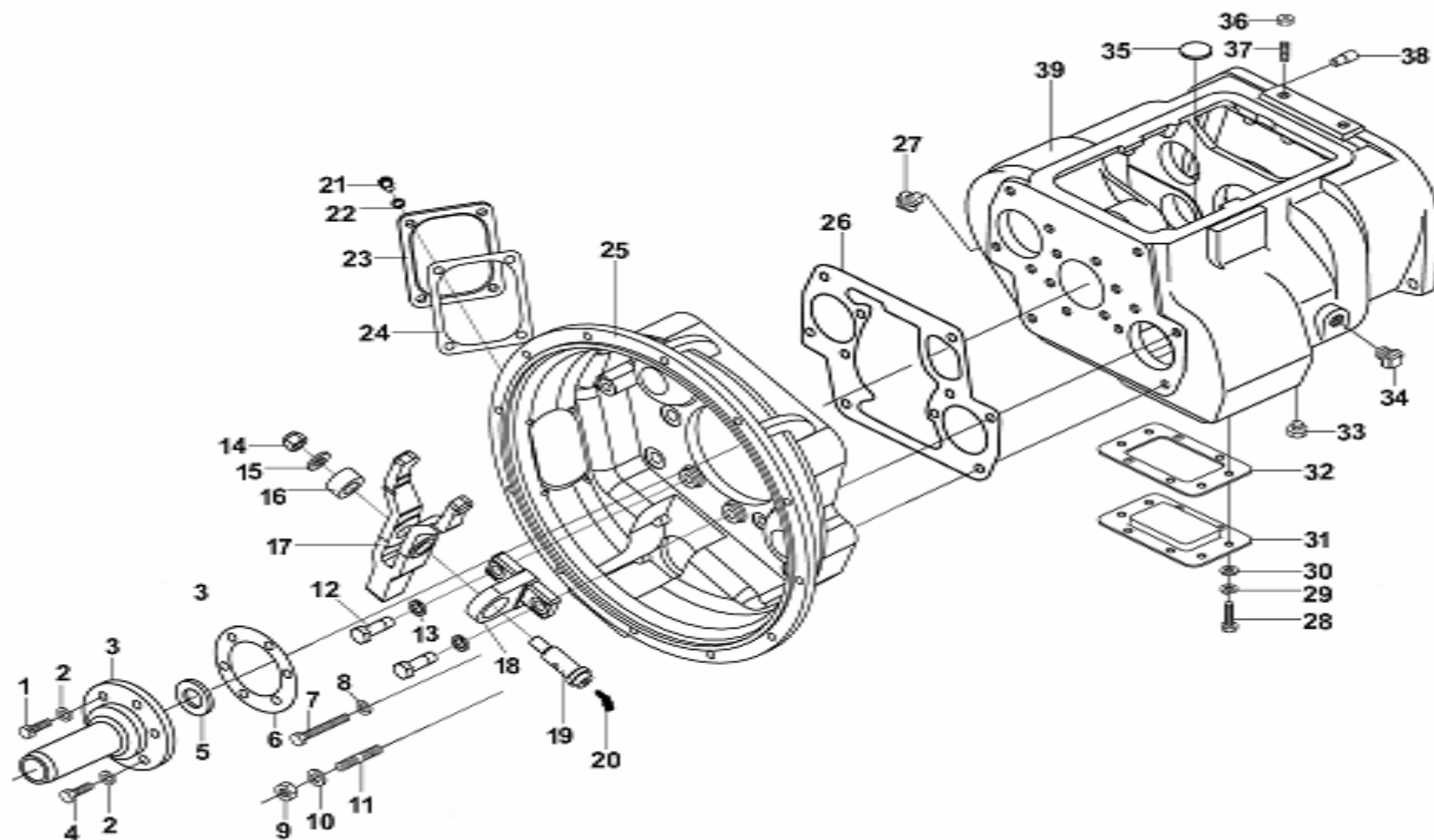
17-A



序号 No.	件号 Part No.	数量 Quantity	名称 Name	规格 Specification	适用产品 Products Applied	备注 Remark
15	JS180-1601022-1	1	垫片 Shim			
16	GB304-64UC25	1	关节轴承 Pivot Bearing			
17	JS180-1601021-1	1	拨叉 Fork			
18	JS180-1601024-1	1	T型板 T Plate			
19	JS180-1601023-1	1	拨叉轴 Fork Shaft			
20	Q701B45	1	弯颈式润脂嘴 Elbow Grease Nipple			
21	Q150B1020	4	六角头螺栓 Hexagon Head Bolt			
22	Q43010	4	弹簧垫圈 Spring Washer			
23	JS180-1701016-1	1	离合器手孔盖 Clutch Inspection Hole Cover			
24	JS180-1701017-1	1	离合器手孔盖衬垫 Clutch Inspection Hole Cover Gasket			
25	JS180-1601015-1	1	离合器壳体 Clutch Case			
26	20822	1	离合器壳体衬垫 Clutch Case Gasket			
27	Q61304	1	方头锥形螺塞 Square Tapered Screw Plug			
28	GB21-76	8	小六角头螺栓 Small Hexagon Head Bolt	M12×25		

变速器 and 离合器壳体装置图 / TRANSMISSION AND CLUTCH CASE

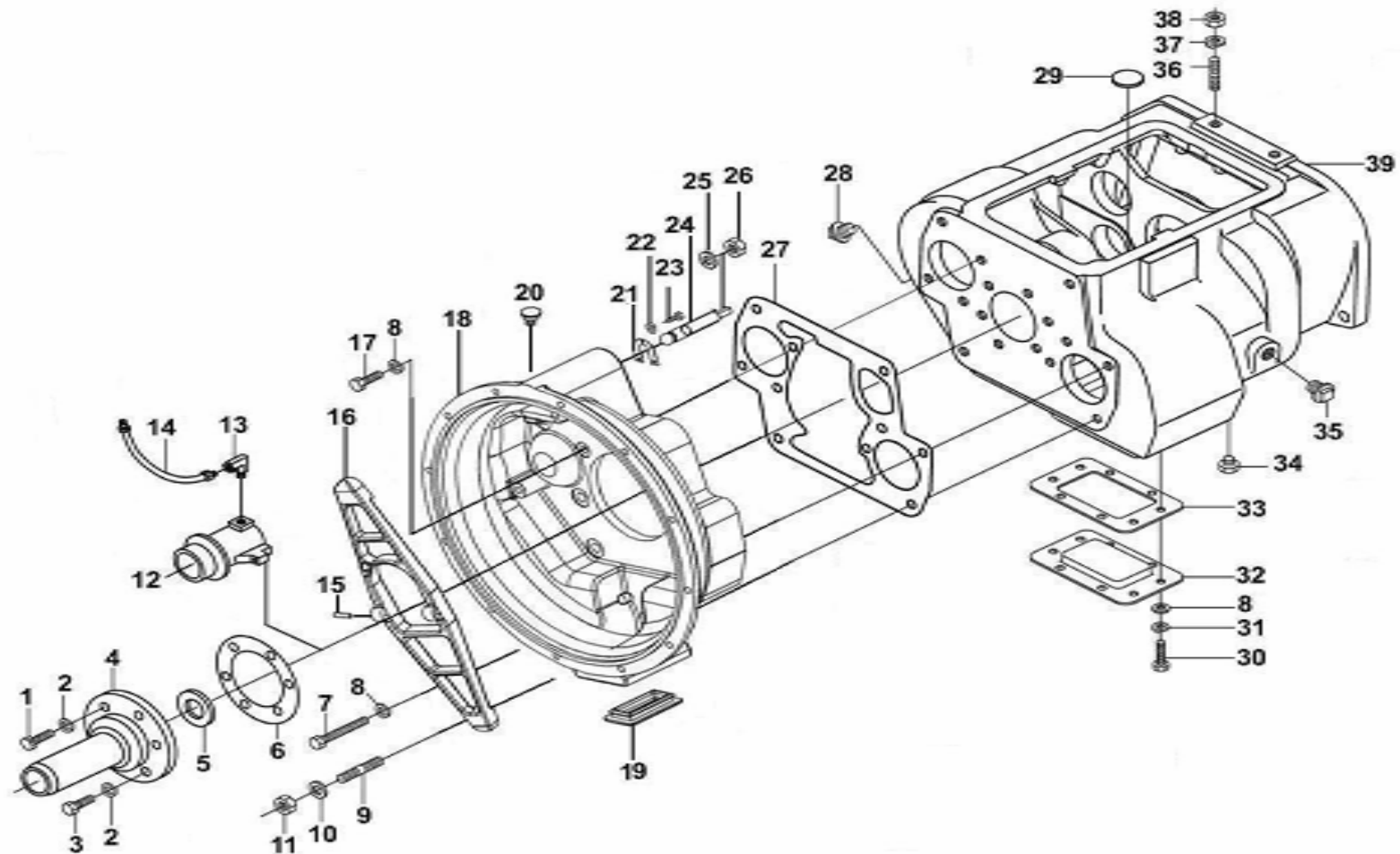
17-A



序号 No.	件号 Part No.	数量 Quantity	名称 Name	规格 Specification	适用产品 Products Applied	备注 Remark
29	GB93-76	8	弹簧垫圈 Spring Washer	M12		
30	Q40112	8	平垫圈 Plate Washer	M12		
31	16596	1	底取力窗口 Bottom Power Take-Off Hole			
32	16929	1	底取力窗口衬垫 Bottom Power Take-Off Hole Gasket			
33	Q614B06	1	方头锥形螺塞 Square Tapered Screw Plug	NPT3/4		
34	Q614B12	1	方头锥形螺塞 Square Tapered Screw Plug			
35	14373	3	圆磁铁 Round Magnet			
36	GB52-76	2	六角螺母 Hexagon Nut	M16×1.5		
37	Q1231630	2	双头螺栓 Stud Bolt			
38	14334	2	后盖定位销 Rear Cover Locating Pin			
39	18686	1	变速器壳体 Transmission Case			

变速器 and 离合器壳体装置图 / TRANSMISSION AND CLUTCH CASE

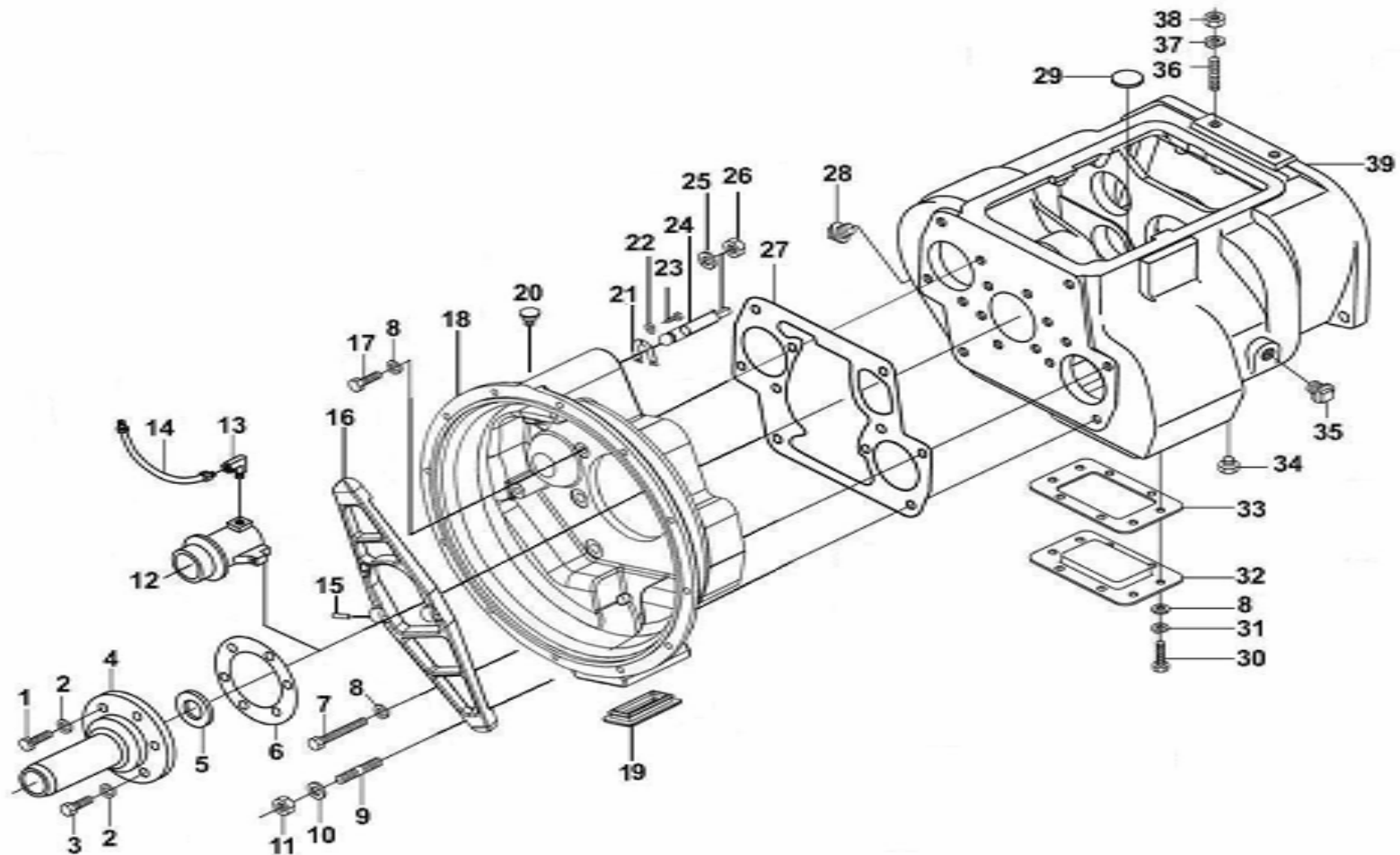
17-B



序号 No.	件号 Part No.	数量 Quantity	名称 Name	规格 Specification	适用产品 Products Applied	备注 Remark
1	Q1701032	2	六角头头部带孔螺栓 Hexagon Head Bolt With Hole	M10×32		
2	GB93-76	6	弹簧垫圈 Spring Washer	10		
3	GB21-76	4	六角头螺栓 Hexagon Head Bolt	M10×32		
4	F91409-14	1	一轴轴承盖 No.1 Shaft Bearing Cap			
5	F91410	1	一轴轴承盖油封 No.1 Shaft Bearing Cap oil Seal			
6	14311	1	一轴轴承盖衬垫 No.1 Shaft Bearing Cap Gasket			
7	GB21-76	2	小六角头螺栓 Small Hexagon Head Bolt	M12×90-Q		
8	GB93-76	12	弹簧垫圈 Spring Washer	12		
9	C01056	6	双头螺栓 Stud Bolt			
10	GB95-76	6	垫圈 Washer	16		
11	GB889-80	6	六角尼龙圈锁紧螺母 Hexagon Nylon Ring Lock Nut	M16×1.5		
12	78CT5737F3	1	自动调心离合器分离轴承单元 Self-Aligning Clutch Release Bearing Unit		配 395 离合器 For Clutch 395	
13	J75-1601031	1	管接头 Tube Connector			
14	J75-1601033-1	1	分离轴承润滑软管总成 Release Bearing Lubricating Hose Assembly			

变速器离合器壳体装置图 / TRANSMISSION AND CLUTCH CASE

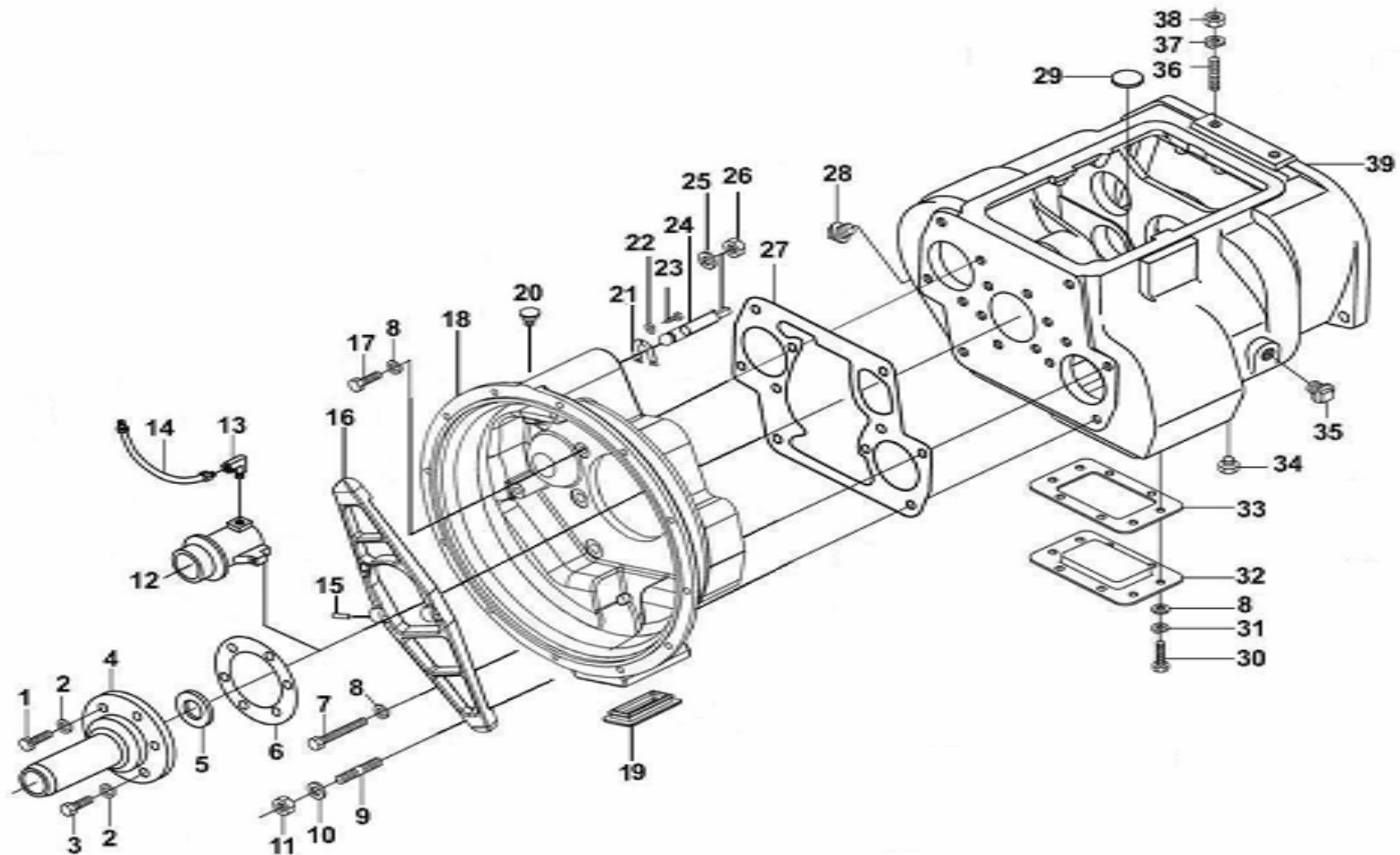
17-B



序号 No.	件号 Part No.	数量 Quantity	名称 Name	规格 Specification	适用产品 Products Applied	备注 Remark
15	Q5280322	2	弹性圆柱销 Spring Cylindrical Pin			
16	C04012-3	1	离合器分离拨叉 Clutch Release Fork			
17	GB21-76	2	小六角头螺栓 Small Hexagon Head Bolt	M12×38		
18	15410-12	1	离合器壳体 Clutch Case			
19	JS180-1601016-2	1	离合器手孔盖 Clutch Inspection Hole Cover			
20	GB1154-79A-6	1	旋盖式油杯 Screwing Cap Type Lubricating Cup	M10×1		
21	C04016-1	1	卡板 Dog			
22	Q40605	3	组合件用弹簧垫圈 Spring Washer For Assembly Set			
23	Q2140510	3	十字头盘头螺钉 Cross Recessed Pan Head Screw			
24	C04015-1	1	分离支柱 Release Rod			
25	Q40320	1	弹簧垫圈 Spring Washer			
26	Q340B20	1	六角头螺母 Hexagon Head Nut			
27	20822	1	离合器壳体衬垫 Clutch Case Gasket			
28	Q61304	1	方头锥形螺塞 Square Tapered Screw Plug			

变速器离合器壳体装置图 / TRANSMISSION AND CLUTCH CASE

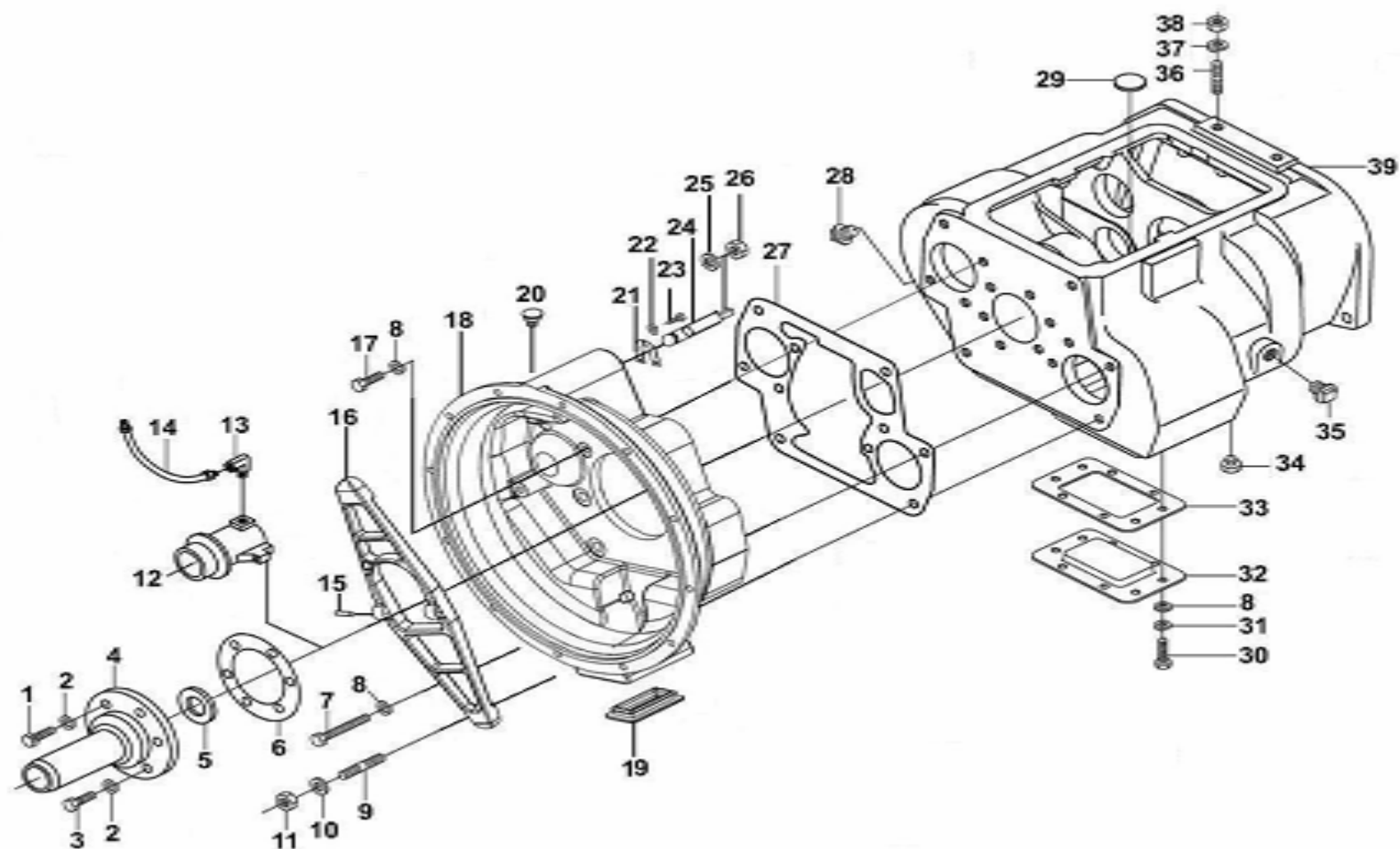
17-B



序号 No.	件号 Part No.	数量 Quantity	名称 Name	规格 Specification	适用产品 Products Applied	备注 Remark
29	14373	3	圆磁铁 Round Magnet			
30	GB21-76	8	小六角头螺栓 Small Hexagon Head Bolt	M12×25		
31	GB97.1-85-12-140HV	8	平垫圈 Plate Washer	12		
32	16596	1	底取力窗口 Bottom Power Take-Off Hole			
33	16929	1	底取力窗口衬垫 Bottom Power Take-Off Hole Gasket			
34	Q614B06	1	方头锥形螺塞 Square Tapered Screw Plug			
35	Q614B12	1	方头锥形螺塞 Square Tapered Screw Plug			
36	Q1231630	2	双头螺栓 Stud Bolt			
37	GB93-76	8	弹簧垫圈 Spring Washer	16		
38	GB52-76	2	六角螺母 Hexagon Nut	M16×1.5		
39	18686	1	变速器壳体 Transmission Case			

变速器 and 离合器壳体装置图 / TRANSMISSION AND CLUTCH CASE

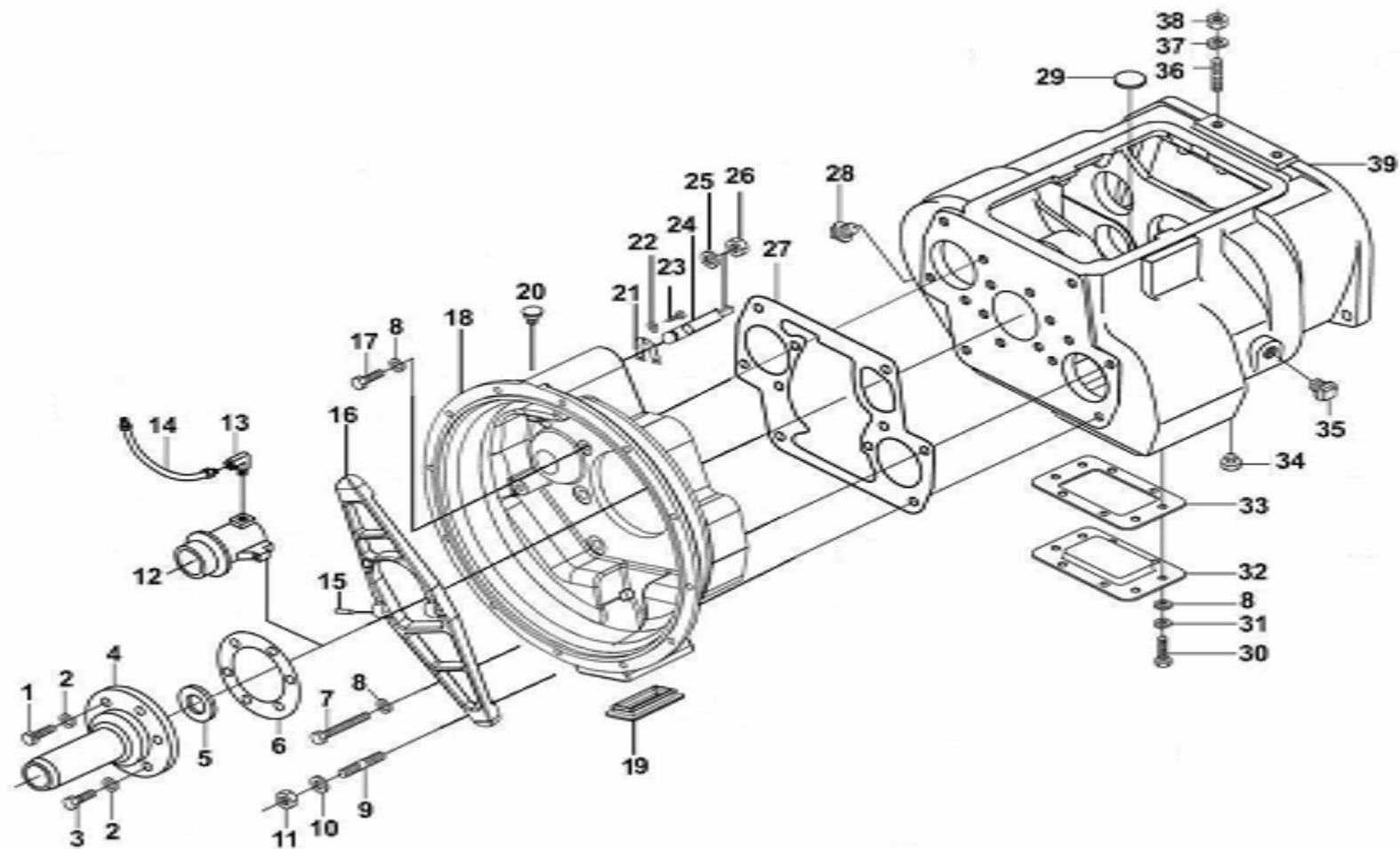
17-C



序号 No.	件号 Part No.	数量 Quantity	名称 Name	规格 Specification	适用产品 Products Applied	备注 Remark
1	Q1701032	2	六角头头部带孔螺栓 Hexagon Head Bolt With Hole	M10×32		
2	GB93-76	6	弹簧垫圈 Spring Washer	10		
3	GB21-76	4	六角头螺栓 Hexagon Head Bolt	M10×32		
4	F91409-13	1	一轴轴承盖 No.1 Shaft Bearing Cap			
5	F91410	1	一轴轴承盖油封 No.1 Shaft Bearing Cap Oil Seal			
6	14311	1	一轴轴承盖衬垫 No.1 Shaft Bearing Cap Gasket			
7	GB21-76	2	小六角头螺栓 Small Hexagon Head Bolt	M12×90-Q		
8	GB93-76	12	弹簧垫圈 Spring Washer	12		
9	C01056	6	双头螺栓 Stud Bolt			
10	GB95-76	6	垫圈 Washer	16		
11	GB889-80	6	六角尼龙圈锁紧螺母 Hexagon Nylon Ring Lock Nut	M16×1.5		
12	85CT5740F3	1	自动调心离合器分离轴承单元 Self-Aligning Clutch Release Bearing Unit		配 430 离合器 For Clutch 430	
13	12845	1	90° 弯管接头 90° Elbow Connector			
14	51003	1	油管总成 Oil Pipe Assembly			

变速器 and 离合器壳体装置图 / TRANSMISSION AND CLUTCH CASE

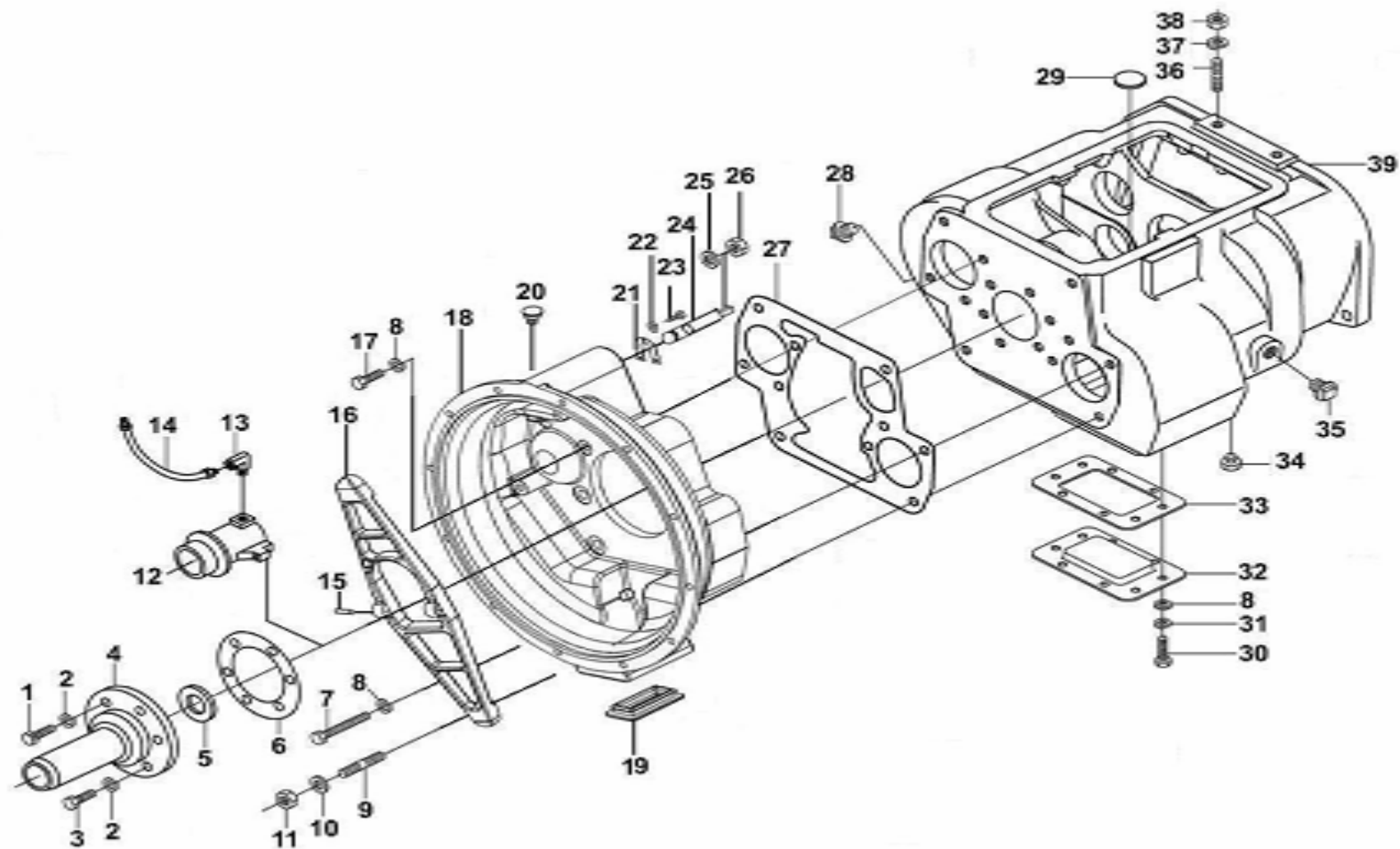
17-C



序号 No.	件号 Part No.	数量 Quantity	名称 Name	规格 Specification	适用产品 Products Applied	备注 Remark
15	9293	2	轴承回位弹簧 Bearing Return Spring			
16	C04012-2	1	离合器分离拨叉 Clutch Release Fork			
17	GB21-76	2	小六角头螺栓 Small Hexagon Head Bolt	M12×38		
18	15410-12	1	离合器壳体 Clutch Case			
19	JS180-1601016-2	1	离合器手孔盖 Clutch Inspection Hole Cover			
20	GB1154-79A-6	1	旋盖式油杯 Screwing Cap Type Lubricating Cup	M10×1		
21	C04016-1	1	卡板 Dog			
22	Q40605	3	组合件用弹簧垫圈 Spring Washer For Assembly Set			
23	Q2140510	3	十字头盘头螺钉 Cross Recessed Pan Head Screw			
24	C04015-1	1	分离支柱 Release Rod			
25	Q40320	1	弹簧垫圈 Spring Washer			
26	Q340B20	1	六角头螺母 Hexagon Head Nut			
27	20822	1	离合器壳体衬垫 Clutch Case Gasket			
28	Q61304	1	方头锥形螺塞 Square Tapered Screw Plug			

变速器 and 离合器壳体装置图 / TRANSMISSION AND CLUTCH CASE

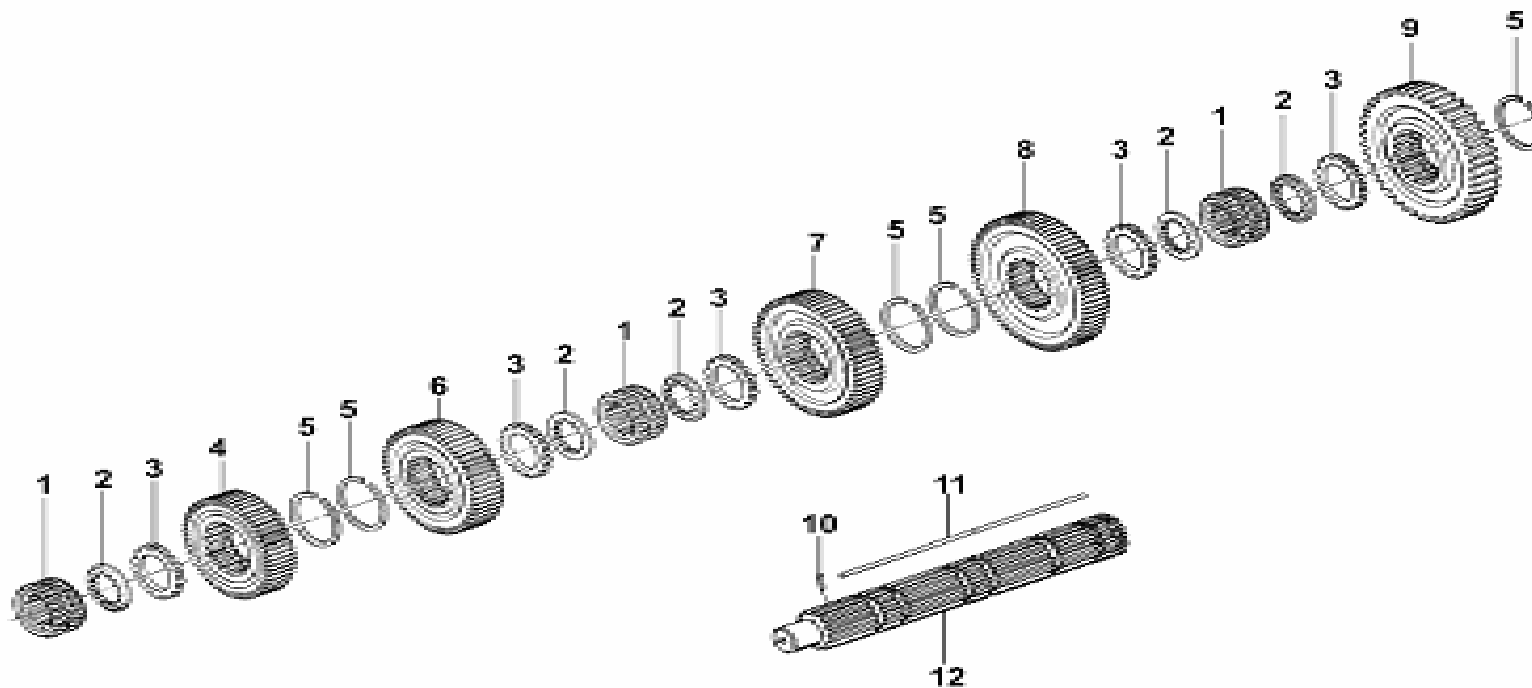
17-C



序号 No.	件号 Part No.	数量 Quantity	名称 Name	规格 Specification	适用产品 Products Applied	备注 Remark
29	14373	3	圆磁铁 Round Magnet			
30	GB21-76	8	小六角头螺栓 Small Hexagon Head Bolt	M12×25		
31	GB97.1-85-12-140HV	8	平垫圈 Plate Washer	12		
32	16596	1	底取力窗口 Bottom Power Take-Off Hole			
33	16929	1	底取力窗口衬垫 Bottom Power Take-Off Hole Gasket			
34	Q614B06	1	方头锥形螺塞 Square Tapered Screw Plug			
35	Q614B12	1	方头锥形螺塞 Square Tapered Screw Plug			
36	Q1231630	2	双头螺栓 Stud Bolt			
37	GB93-76	8	弹簧垫圈 Spring Washer	16		
38	GB52-76	2	六角螺母 Hexagon Nut	M16×1.5		
39	18686	1	变速器壳体 Transmission Case			

RT-11509C 变速器二轴总成
RT-11509C TRANSMISSION NO.2 SHAFT ASSEMBLY

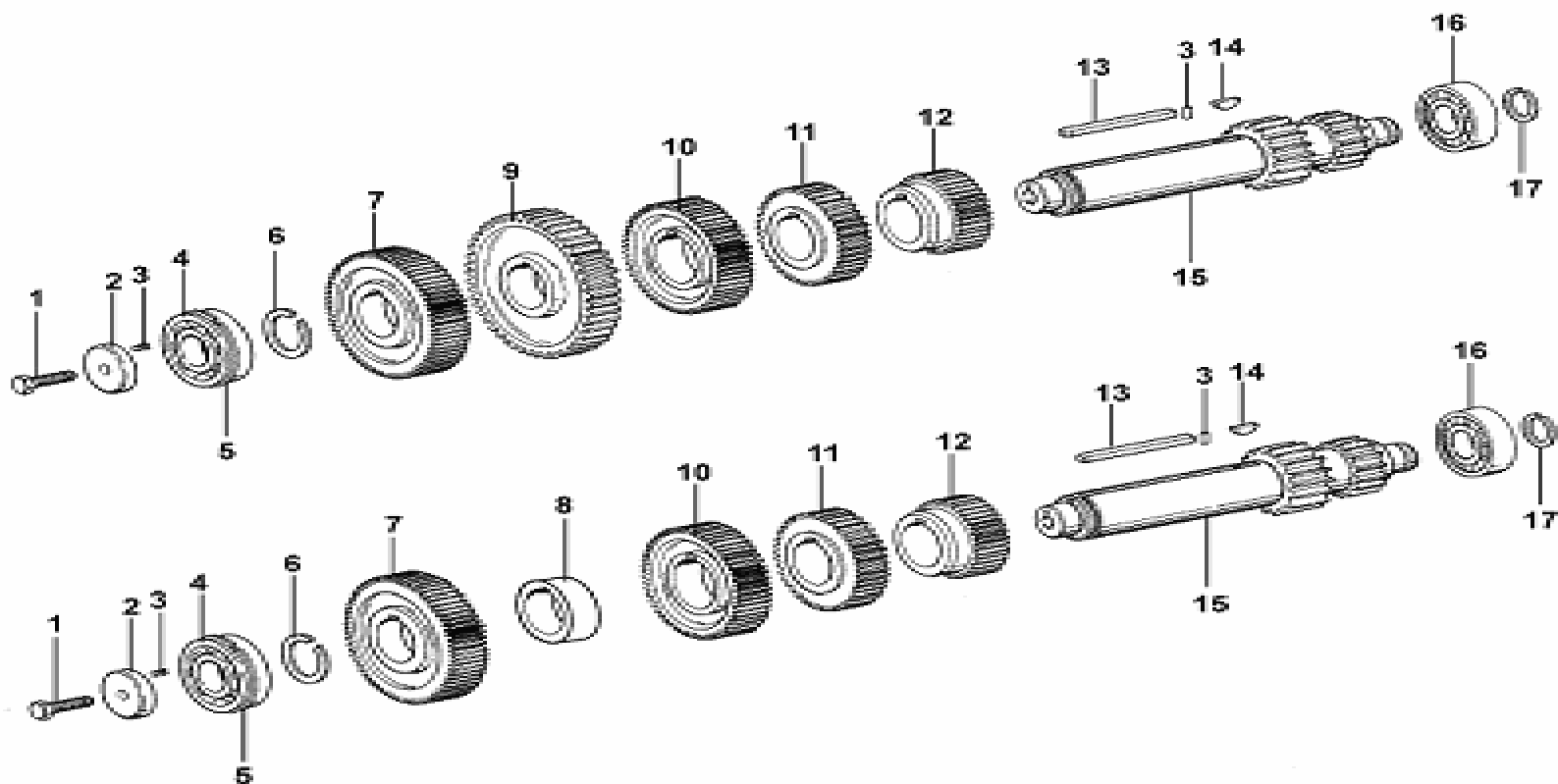
17-D



序号 No.	件号 Part No.	数量 Quantity	名称 Name	规格 Specification	适用产品 Products Applied	备注 Remark
1	16118	3	二轴滑套 No.2 Shaft Sliding Bush			
2	18701	5	二轴齿轮调整垫 No.2 Shaft Gear Adjusting Gasket			
3	14749	5	二轴齿轮花键垫片 No.2 Shaft Gear Spline Shim			
4	16748	1	二轴三档齿轮 No.2 Shaft 3rd Gear			
5	14750	5	止动环 Stop Ring			
6	16750	1	二轴二档齿轮 No.2 Shaft 2nd Gear			
7	16752	1	二轴一档齿轮 No.2 Shaft 1st Gear			
8	16754	1	二轴低档齿轮 No.2 Shaft Low Gear			
9	16756	1	二轴倒档齿轮 No.2 Shaft Reverse Gear			
10	Q5280310	1	弹性圆柱销 Spring Cylindrical Pin			
11	17109	1	二轴六角键 No.2 Shaft Hex Key			
12	18729	1	二轴 No.2 Shaft			

RT-11509C 变速器左右中间轴总成
RT-11509C TRANSMISSION LEFT AND RIGHT COUNTERSHAFT ASSEMBLY

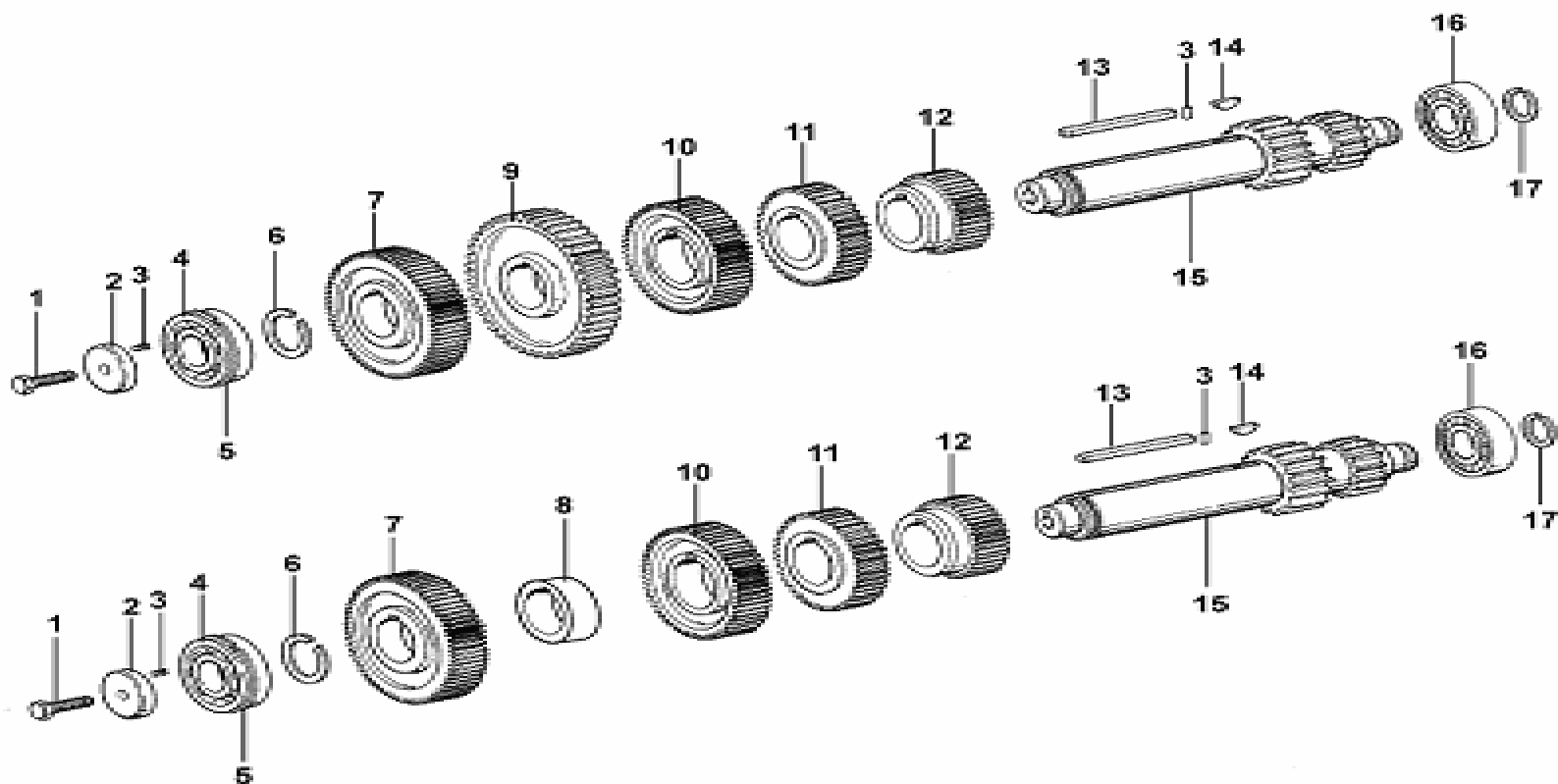
17-E



序号 No.	件号 Part No.	数量 Quantity	名称 Name	规格 Specification	适用产品 Products Applied	备注 Remark
1	GB21-76	2	六角头螺栓 Hexagon Head Bolt	M16×1.5×45		
2	19668	2	中间轴轴承档板 Countershaft Bearing Plate			
3	Q5280514	4	弹性圆柱销 Spring Cylindrical Pin			
4	370309Y	2	单列向心球轴承 Single-Row Radial Ball Bearing			
5	C01021	2	止动环 Stop Ring			
6	19198	2	中间轴止动环 Countershaft Stop Ring			
7	19552	2	中间轴传动齿轮 Countershaft Drive Gear			
8	C01025	1	隔套 Spacing Sleeve			
9	C01026	1	摩擦轮 Friction Wheel			
10	16749	2	中间轴三档齿轮 Countershaft 3rd Gear			
11	16751	2	中间轴二档齿轮 Countershaft 2nd Gear			
17	16753	2	中间轴一档齿轮 Countershaft 1st Gear			
13	19673	2	中间轴四方键 Countershaft Square Key			
14	X-6-E	2	半圆键 Woodruff Key			

RT-11509C 变速器左右中间轴总成
RT-11509C TRANSMISSION LEFT AND RIGHT COUNTERSHAFT ASSEMBLY

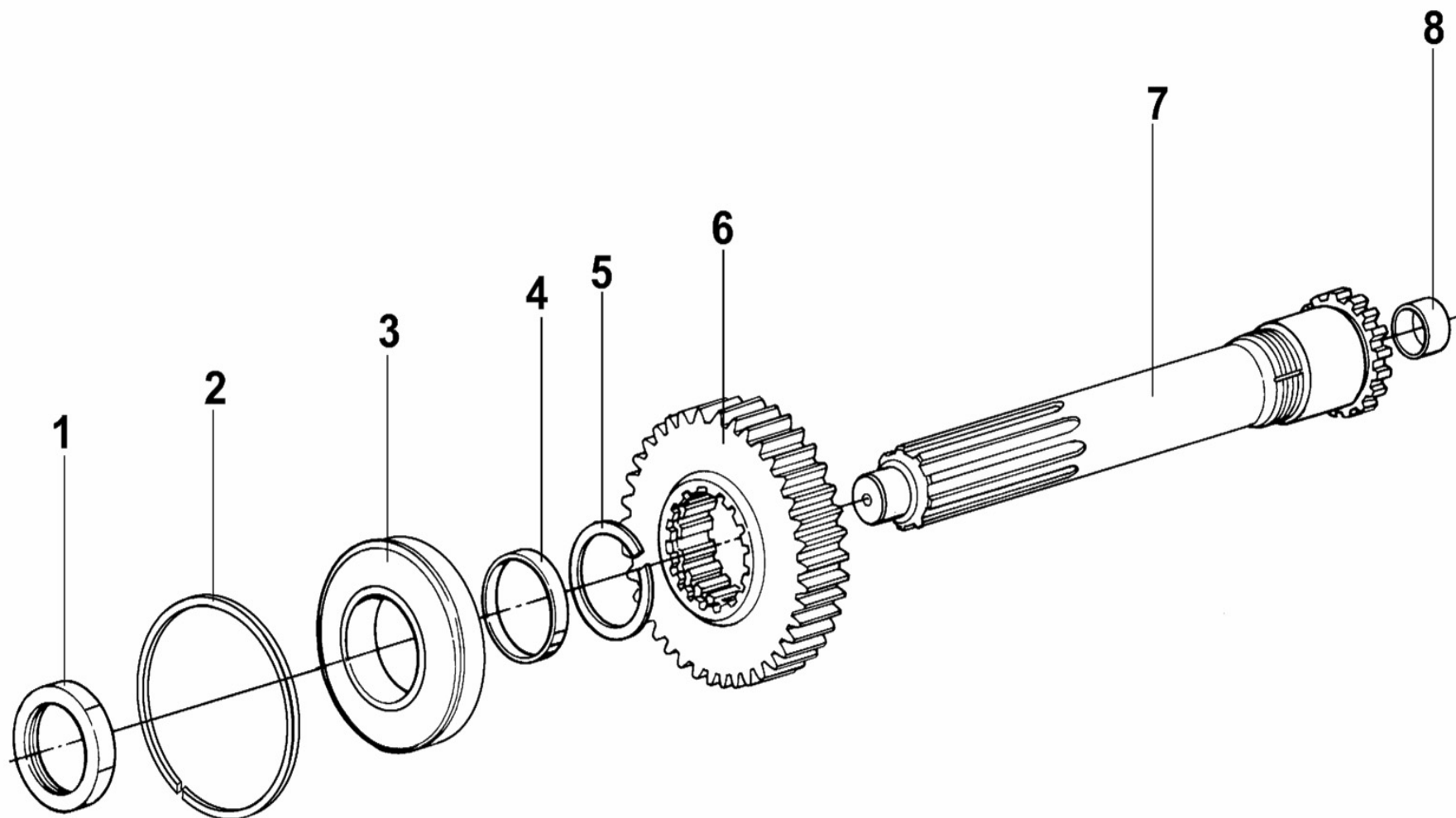
17-E



序号 No.	件号 Part No.	数量 Quantity	名称 Name	规格 Specification	适用产品 Products Applied	备注 Remark
15	19549	2	中间轴 Countershaft			
16	102308E	2	短圆柱滚子轴承 Cylindrical Roller Bearing With Short Rollers			
17	14317	2	止动环 Stop Ring			

RT-11509C 变速器一轴总成
RT-11509C TRANSMISSION NO.1 SHAFT ASSEMBLY

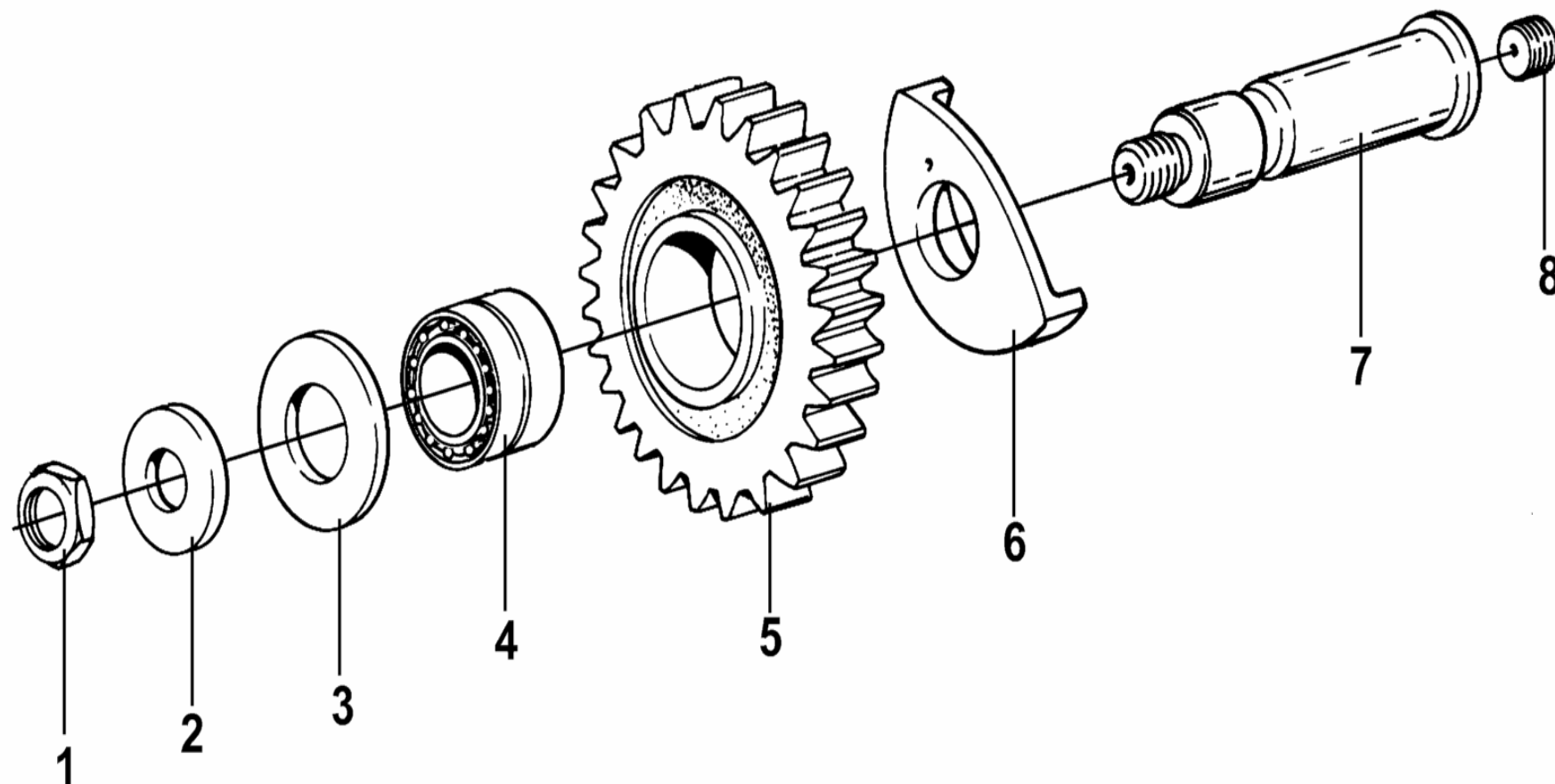
17-F



序号 No.	件号 Part No.	数量 Quantity	名称 Name	规格 Specification	适用产品 Products Applied	备注 Remark
1	JS180A-1701036	1	一轴螺母 No.1 Shaft Nut			
2	C01020	1	止动环 Stop Ring			
3	150212K	1	单列向心球轴承 Single-Row Radial Ball Bearing			
4	16463	1	齿轮隔垫 Gear Bush			
5	14750	1	止动环 Stop Ring			
6	17568	1	一轴齿轮 No.1 Shaft Gear			
7	JS180-1701030-1	1	一轴 No.1 Shaft	SAE 2"	350 马力以上车型 (配拉式离合器) Over 350Ps Model(With Pull Type Clutch)	
	19694-20	1	一轴 No.1 Shaft	SAE 1.75"	350 马力以下车型 (配推式离合器) Under 350Ps Model(With Push Type Clutch)	
8	16566	1	二轴导套 No.2 Shaft Guide Bush			

RT-11509C 变速器倒档中间轴总成
RT-11509C TRANSMISSION REVERSE COUNTERSHAFT ASSEMBLY

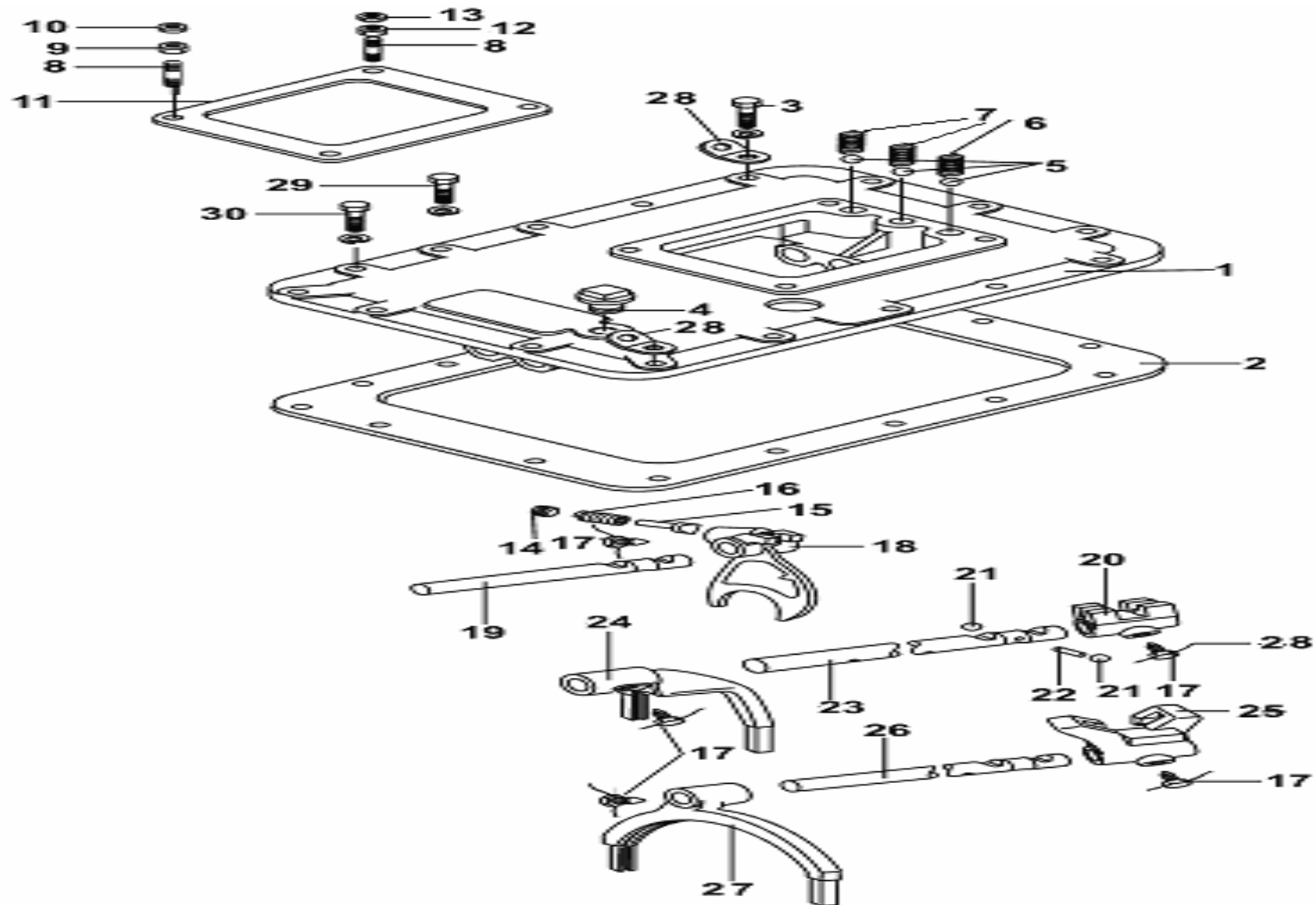
17-G



序号 No.	件号 Part No.	数量 Quantity	名称 Name	规格 Specification	适用产品 Products Applied	备注 Remark
1	GB890-80	2	六角尼龙圈螺母 Hexagon Nylon Ring Nut	M16×1.5		
2	14283	2	倒档中间轴垫圈 Reverse Shaft Washer			
3	14282	2	倒档止推垫圈 Reverse Gear Thrust Washer			
4	14287	2	滚针轴承 Needle Roller Bearing			
5	16757	2	倒档中间齿轮 Reverse Idler Gear			
6	16403	2	杯形倒档垫圈 Cup Reverse Gear Washer			
7	16405	2	倒档中间轴 Reverse Countershaft			
8	GB73-85	2	平端紧定螺钉 Flat Set Screw	M12×12		

RT-11509C 变速器上盖总成
RT-11509C TRANSMISSION UPPER COVER ASSEMBLY

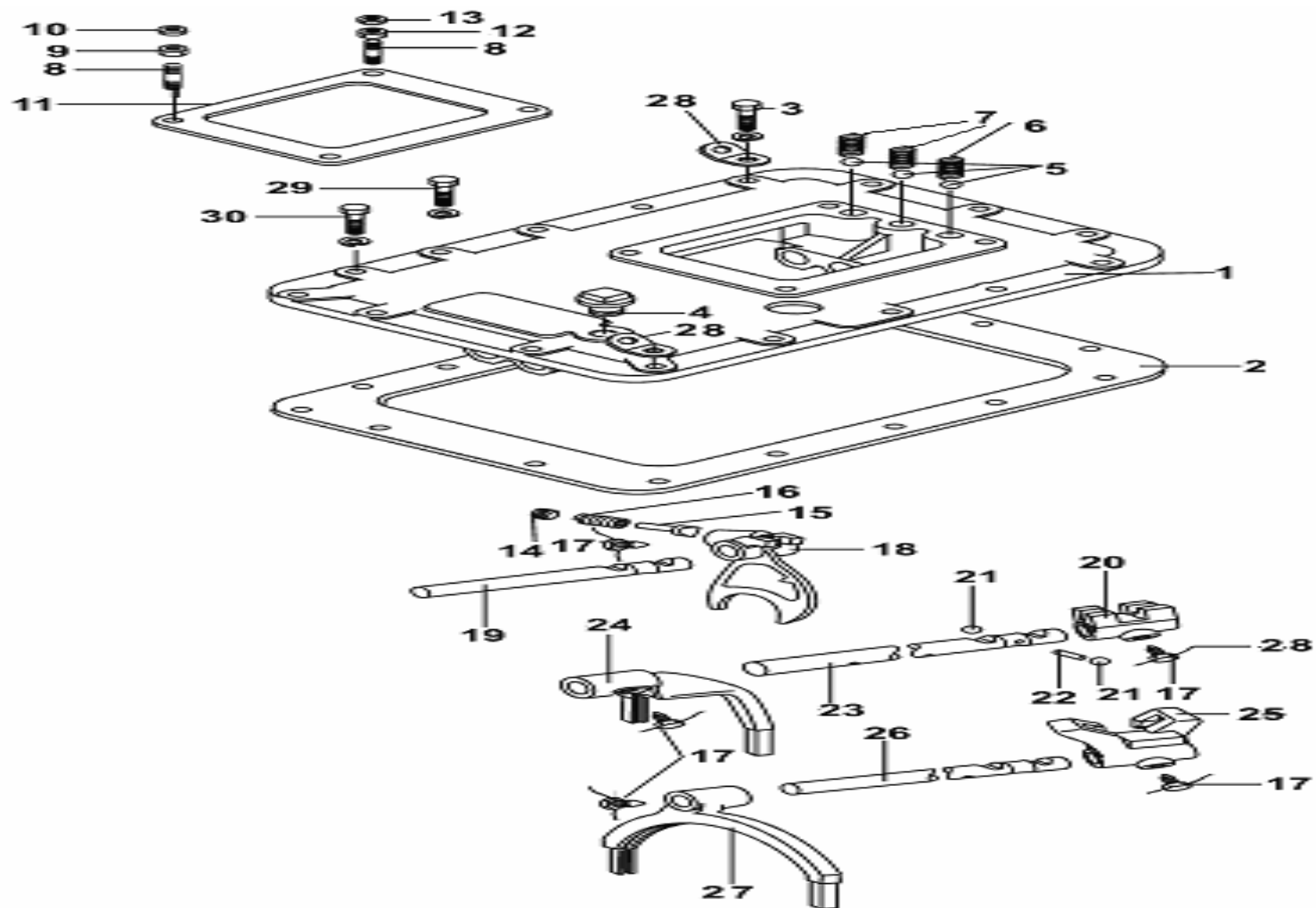
17-H



序号 No.	件号 Part No.	数量 Quantity	名称 Name	规格 Specification	适用产品 Products Applied	备注 Remark
1	F99980	1	上盖 Upper Cover			
2	14918	1	上盖衬垫 Upper Cover Gasket			
3	GB5782-86	2	六角头螺栓 Hexagon Head Bolt	M10×35		
	GB93-87	2	弹簧垫圈 Spring Washer	M10		
4	Q614B10	1	方头锥形螺塞 Square Tapered Screw Plug			
5	GB308-89	3	钢球 Steel Ball	12.7		
6	F96084	1	压缩弹簧 Compression Spring			
7	F96085	2	压缩弹簧 Compression Spring			
8	11066	4	双头螺栓 Stud Bolt			
9	X-1-603	2	六角螺母 Hexagon Nut			
10	Q351B10	2	六角薄螺母 Hexagon Thin Nut			
11	1642	1	操纵窗口衬垫 Shifting Hole Gasket			
12	Q361B10	2	I型六角螺母 Hexagon Full Nut			
13	Q40310	2	弹簧垫圈 Spring Washer			

RT-11509C 变速器上盖总成
RT-11509C TRANSMISSION UPPER COVER ASSEMBLY

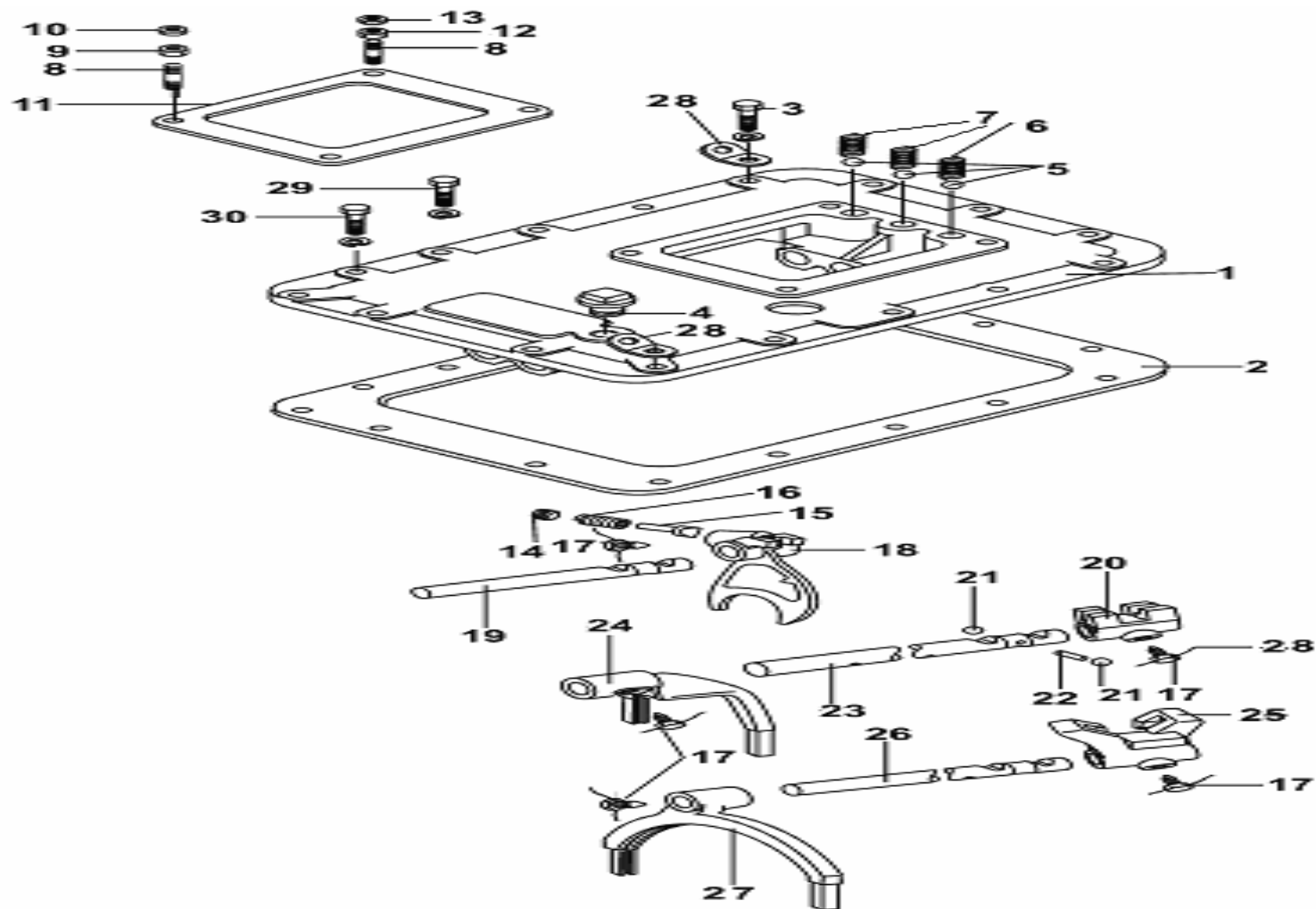
17-H



序号 No.	件号 Part No.	数量 Quantity	名称 Name	规格 Specification	适用产品 Products Applied	备注 Remark
14	8968	1	倒档锁螺塞 Reverse Lock Plug			
15	F99671	1	倒档锁柱塞 Reverse Lock Plunger			
16	8774-1	1	倒档锁弹簧 Reverse Lock Spring			
17	3220	5	换档拨叉锁止螺钉 Shift Fork Lock Screw			
18	F99664	1	低倒档拨叉 Low Reverse Fork			
19	16132	1	低倒档拨叉轴 Low Reverse Fork Shaft			
20	F99588	1	1/2 和 5/6 档导块 1st , 2nd Gear And 5th, 6th Gear Guide Block			
21	GB308-89	2	钢球 Steel Ball	19.05		
22	1634	1	拨叉轴联锁销 Fork Shaft Interlock Pin			
23	16133	1	一二档拨叉轴 1st , 2nd Gear Fork Shaft			
24	16135	1	一二档拨叉 1st , 2nd Gear Fork			
25	F99589	1	3/4 和 7/8 档导块 3th, 4th Gear And 7th, 8th Gear Guide Block			
26	18643	1	三四档拨叉轴 3th, 4th Gear Fork Shaft			
27	16136	1	三四档拨叉 3th, 4th Gear Fork			

RT-11509C 变速器上盖总成
RT-11509C TRANSMISSION UPPER COVER ASSEMBLY

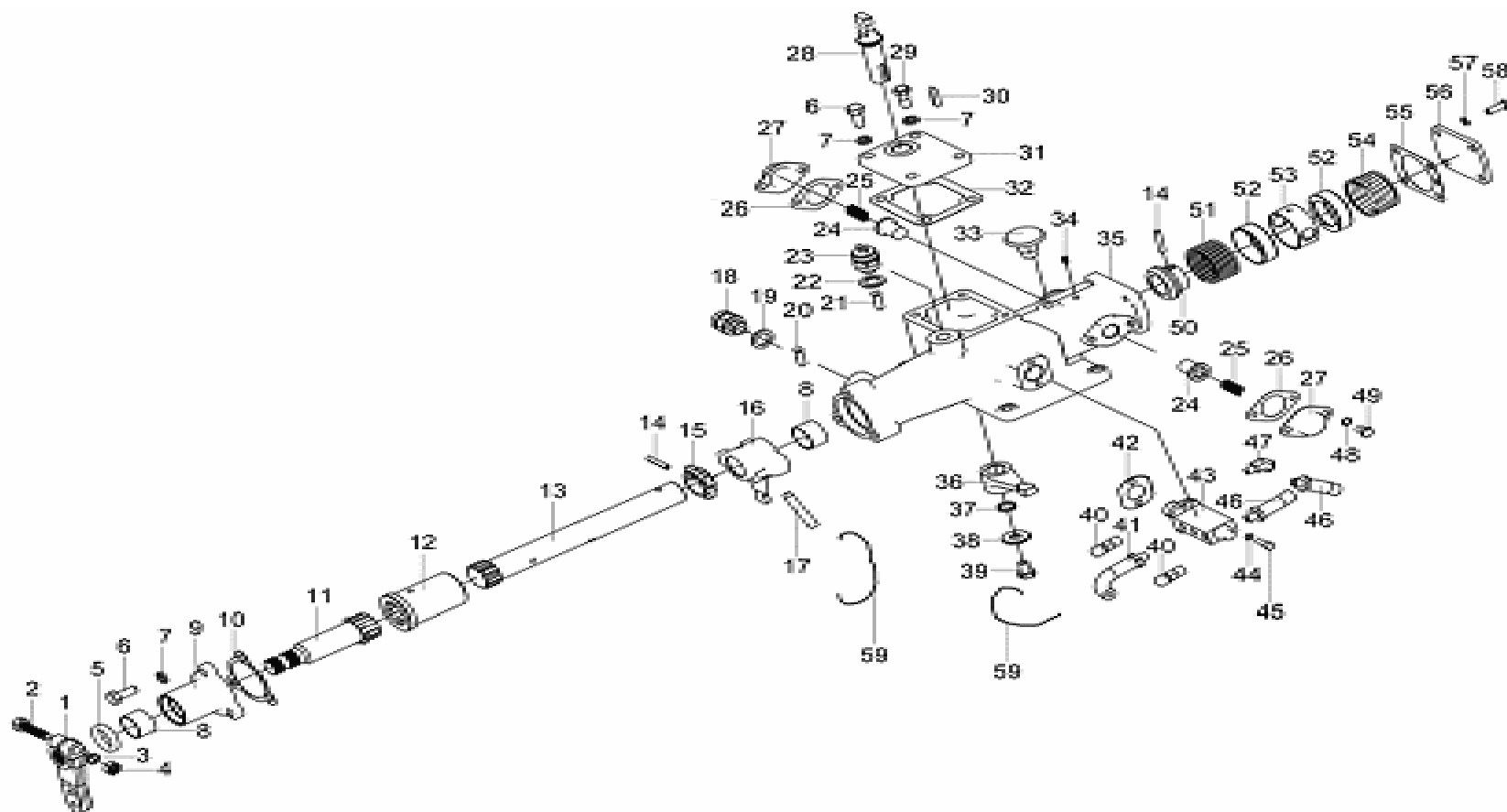
17-H



序号 No.	件号 Part No.	数量 Quantity	名称 Name	规格 Specification	适用产品 Products Applied	备注 Remark
28	20815	2	起吊弯板 Bend Shackle			
29	GB5782-86	12	六角头螺栓 Hexagon Head Bolt	M10×32		
	GB93-87	12	弹簧垫圈 Spring Washer	M10		
30	GB27-88	2	六角头铰制孔用螺栓 Hexagon Bolt For Reamed Hole	M10×32		
	GB93-87	2	弹簧垫圈 Spring Washer	M10		

RT-11509C 变速器操纵装置总成
RT-11509C TRANSMISSION CONTROL ASSEMBLY

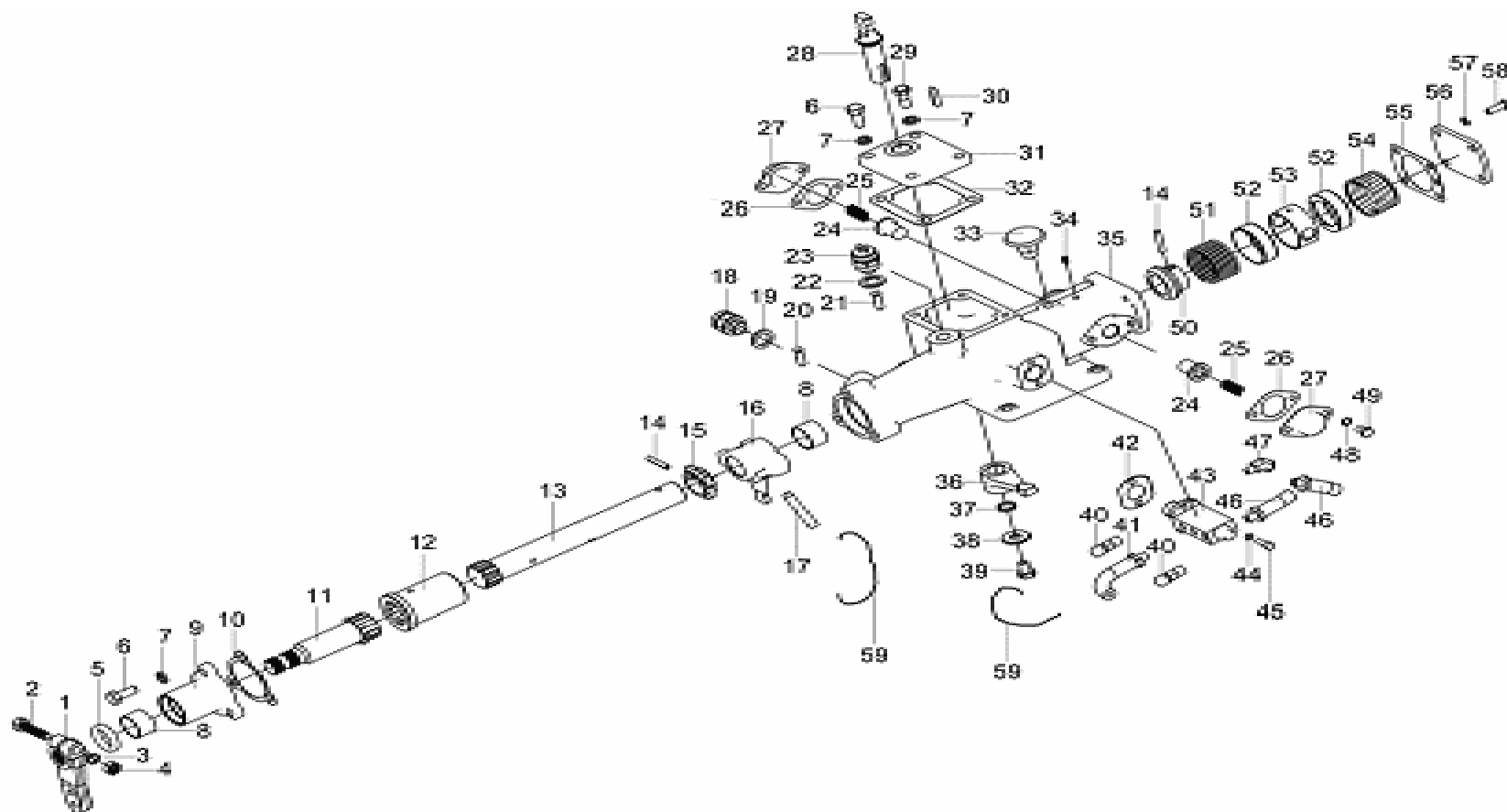
17-1



序号 No.	件号 Part No.	数量 Quantity	名称 Name	规格 Specification	适用产品 Products Applied	备注 Remark
1	F96035-4	1	LRC 外换挡臂 LRC Outer Shifting Arm			
2	GB21-76	1	小六角头螺栓 Small Hexagon Head Bolt	M10×1×50		
3	GB93-76	1	弹簧垫圈 Spring Washer	M10		
4	Q34110	1	六角螺母 Hexagon Nut			
5	F91444	1	油封 Oil Seal			
6	Q150B1025	3	六角头螺栓 Hexagon Head Bolt			
7	Q40310	3	弹簧垫圈 Spring Washer			
8	F91345	2	横向换挡杆衬套 Lateral Shift Lever Bush			
9	C03033-2	1	端盖 End Cover			
10	C03034-1	1	挡板衬垫 Baffle Gasket			
11	C03032-3	1	换挡接头 Shifting Connector			
12	C03031-1	1	花键套 Spline Housing			
13	F99679-8	1	横向换挡杆 Lateral Shift Lever			
14	GB879-76	2	弹性圆柱销 Spring Cylindrical Pin	销 6×35 Pin 6×35		

RT-11509C 变速器操纵装置总成
RT-11509C TRANSMISSION CONTROL ASSEMBLY

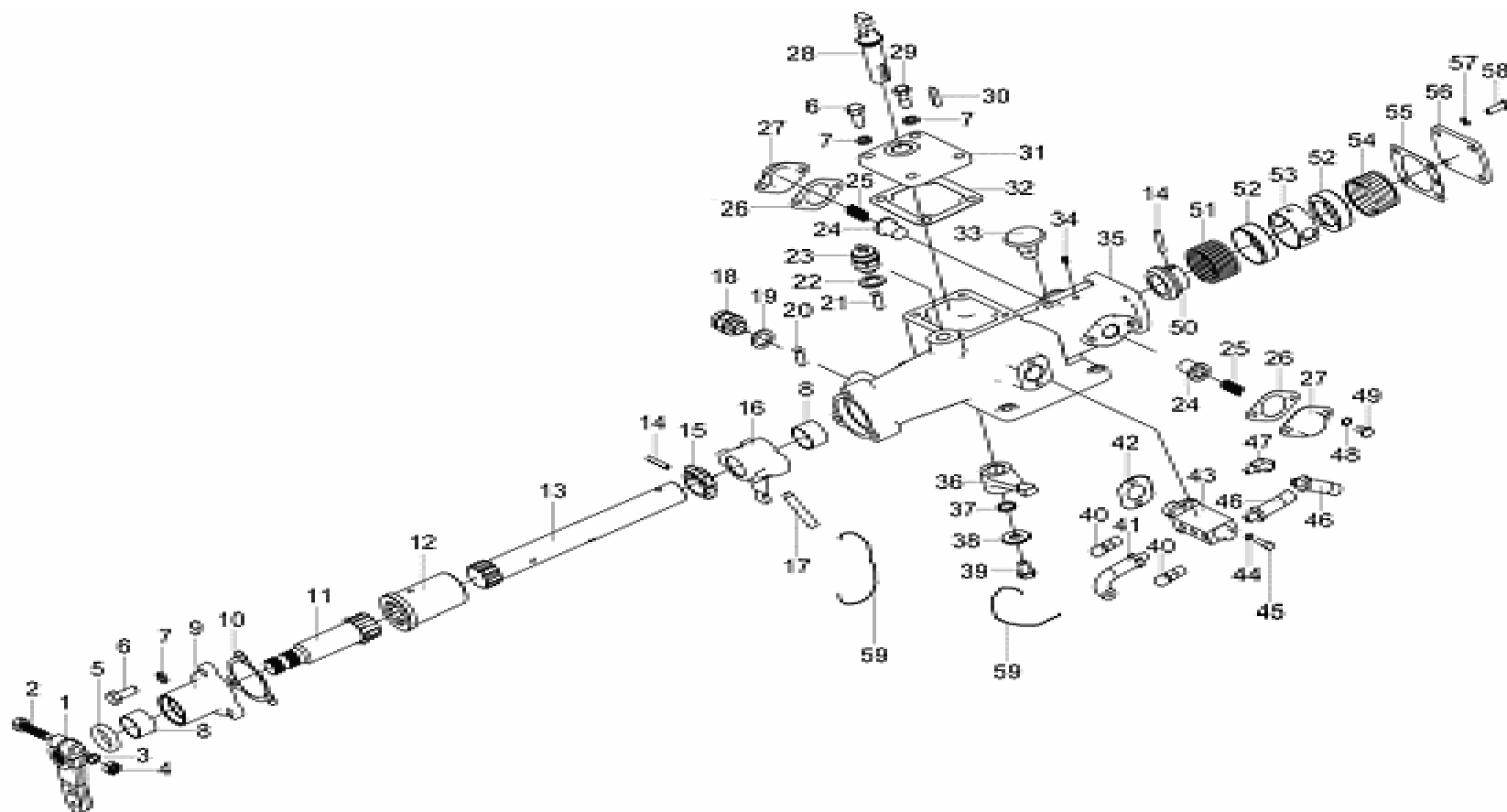
17-1



序号 No.	件号 Part No.	数量 Quantity	名称 Name	规格 Specification	适用产品 Products Applied	备注 Remark
15	F99681	1	低倒档开关控制块 Low Reverse Switch Control Block			
16	F99585-1	1	拨头 Shifting Block			
17	C03030	1	圆柱销 Cylindrical Pin			
18	990.12.71.0041	1	压力开关 Pressure Switch	空档 Neutral		
19	Q72318T5	1	垫密封圈 Seal Washer			
20	F99702-1	1	空档开关柱销 Neutral Switch Pin			
21	15899	1	开关启动销 Switch Starting Pin			
22	C03015	1	垫密封圈 Seal Washer			
23	791.00.71.0068	1	压力开关 Pressure Switch	倒档 Reverse		
24	F99670	2	定位柱塞 Locating Plunger			
25	F96037-1	2	压缩弹簧 Compression Spring			
26	F96140	2	衬垫 Gasket			
27	F96141	2	弹簧压盖 Spring Gland			
28	C03038-1	1	选档接头 Shifting Connector			

RT-11509C 变速器操纵装置总成
RT-11509C TRANSMISSION CONTROL ASSEMBLY

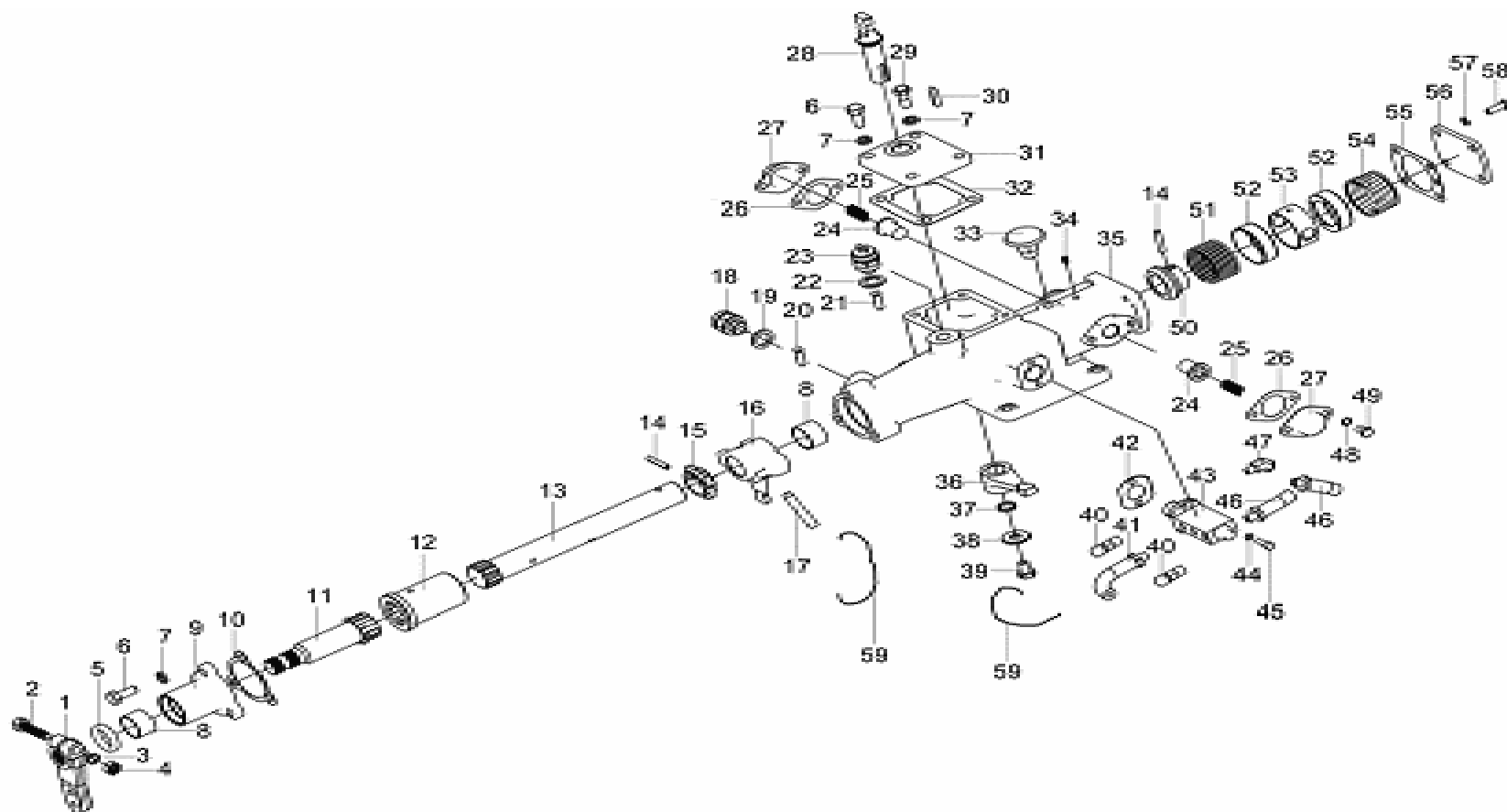
17-1



序号 No.	件号 Part No.	数量 Quantity	名称 Name	规格 Specification	适用产品 Products Applied	备注 Remark
29	C03040-1	2	定位螺钉 Locating Screw			
30	Q5510628	1	平键 Flat Key			
31	C03036-1	1	窗口盖 Hole Cover			
32	C03037-7	1	窗口衬垫 Hole Gasket			
33	15276	1	通气塞 Ventilation Plug			
34	C03004	1	止动螺钉 Check Screw			
35	F96194-6	1	双 H 操纵装置壳体 Double H Control Case			
36	C03035-1	1	选档拨头 Shifting Switch			
37	HG4-333-66	1	O 型密封圈 O-Seal Ring	20×2.4		
38	C03039-1	1	垫圈 Washer			
39	Q170B1016	1	六角头头部带孔螺栓 Hexagon Head Bolt With Hole			
40	7935	2	通气塞 Ventilation Plug			
41	55521	1	气管总成 Tube Assembly			
42	F91353	1	双 H 气阀衬垫 Double H Valve Gasket			

RT-11509C 变速器操纵装置总成
RT-11509C TRANSMISSION CONTROL ASSEMBLY

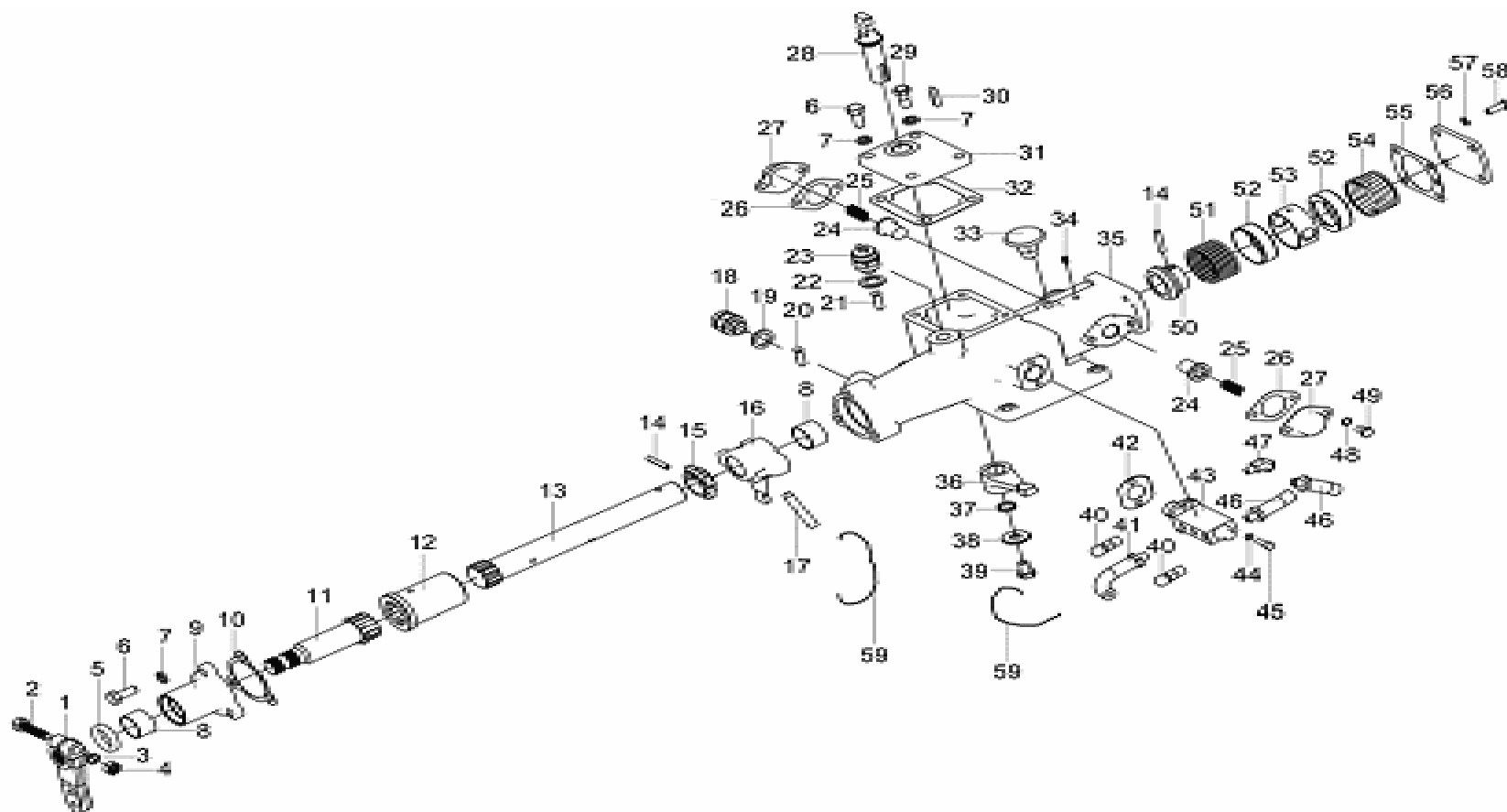
17-1



序号 No.	件号 Part No.	数量 Quantity	名称 Name	规格 Specification	适用产品 Products Applied	备注 Remark
43	F99660	1	双H气阀 Double H Valve			
44	GB93-76	2	弹簧垫圈 Spring Washer	6		
45	GB70-76	2	内六角螺钉 Hexagon Socket Screw	M6×18		
46	55506	2	气管总成 Tube Assembly			
47	12880	1	45°弯管接头 45°Elbow Connector			
48	GB859-76	4	弹簧垫圈 Spring Washer	8		
49	GB21-76	4	小六角头螺栓 Small Hexagon Head Bolt	M8×12		
50	F99675	1	定位环 Locating Ring			
51	F96036-1	1	压缩弹簧 Compression Spring			
52	F99673	2	弹簧座 Spring Seat			
53	F99674	1	弹簧隔套 Spring Spacing Sleeve			
54	F99983	1	压缩弹簧 Compression Spring			
55	F99672	1	端垫 End Washer			
56	F99666	1	侧板 Side Panel			

RT-11509C 变速器操纵装置总成
RT-11509C TRANSMISSION CONTROL ASSEMBLY

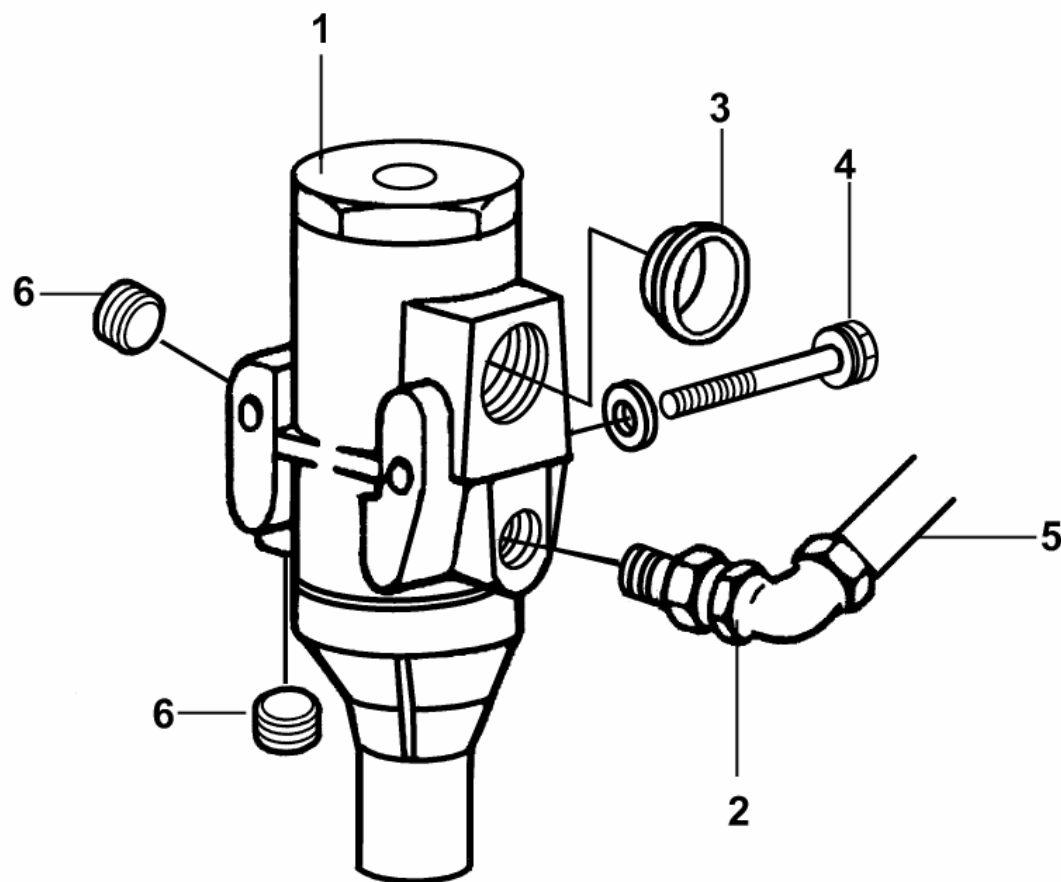
17-1



序号 No.	件号 Part No.	数量 Quantity	名称 Name	规格 Specification	适用产品 Products Applied	备注 Remark
57	GB93-76	4	弹簧垫圈 Spring Washer	8		
58	GB21-76	4	小六角头螺栓 Small Hexagon Head Bolt	M8×22		
59	1819	按需 On-Demand	铁丝 Iron Wire	Φ1.2		

RT-11509C 变速器空气滤清调节器总成
RT-11509C TRANSMISSION AIR FILTER REGULATOR ASSEMBLY

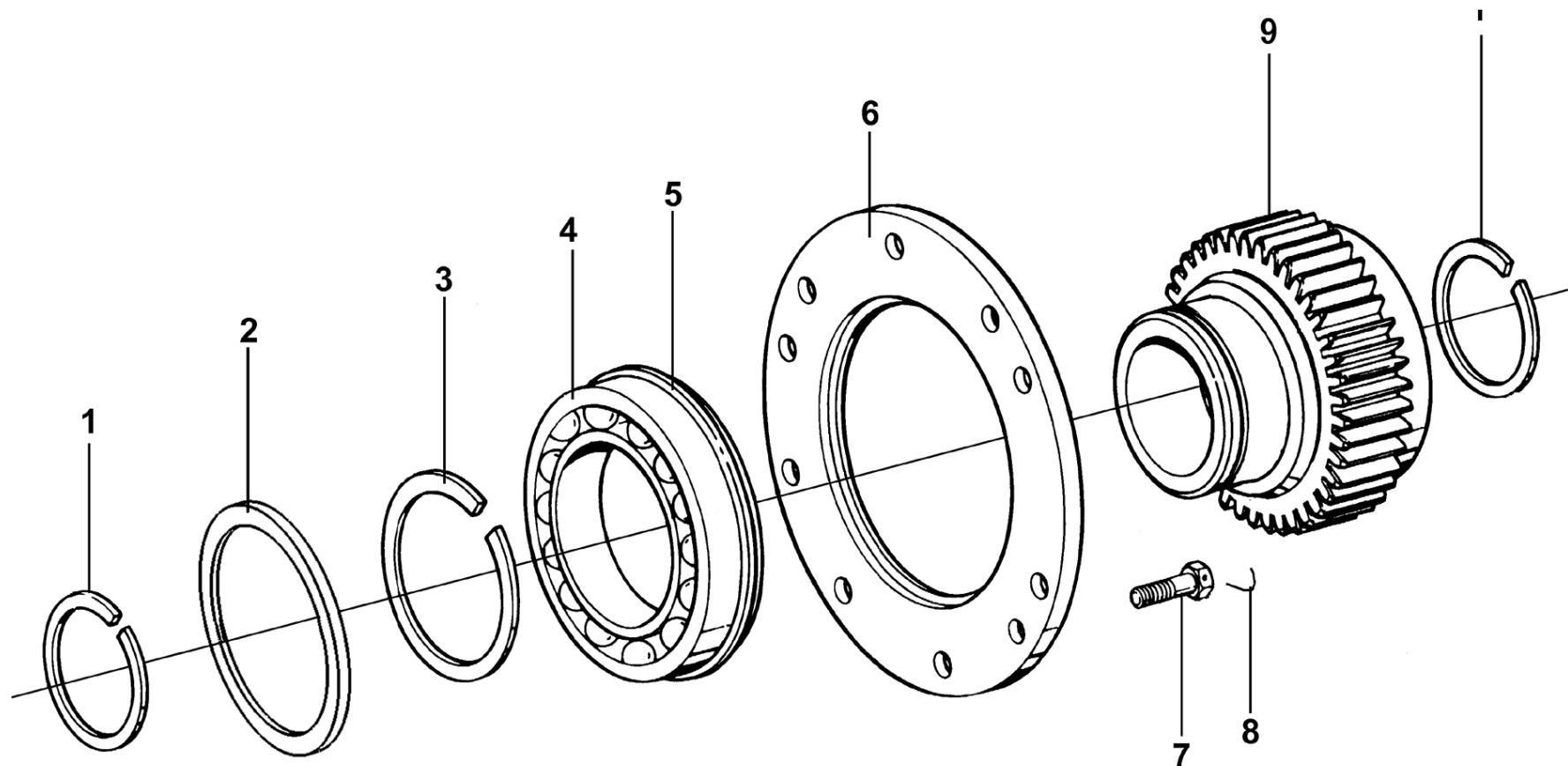
17-J



序号 No.	件号 Part No.	数量 Quantity	名称 Name	规格 Specification	适用产品 Products Applied	备注 Remark
1	A-4740	1	空气滤清调节器总成 Air Filter Regulator Assembly			
2	12845	1	90° 弯管接头 90° Elbow Connector			
3	54015	1	CA 碗形塞片 CA Bowl Hollow Plug			
4	GB5782-86	2	六角头螺栓 Hexagon Head Bolt	M6×60		
	GB93-87	2	垫圈 Washer			
5	55518	1	气管总成 Tube Assembly			
6	Q618B01	2	六角头锥形螺塞 Hexagon Tapered Screw Plug			

RT-11509C 变速器副箱驱动齿轮总成
RT-11509C TRANSMISSION ADDITIONAL GEARBOX DRIVE GEAR ASSEMBLY

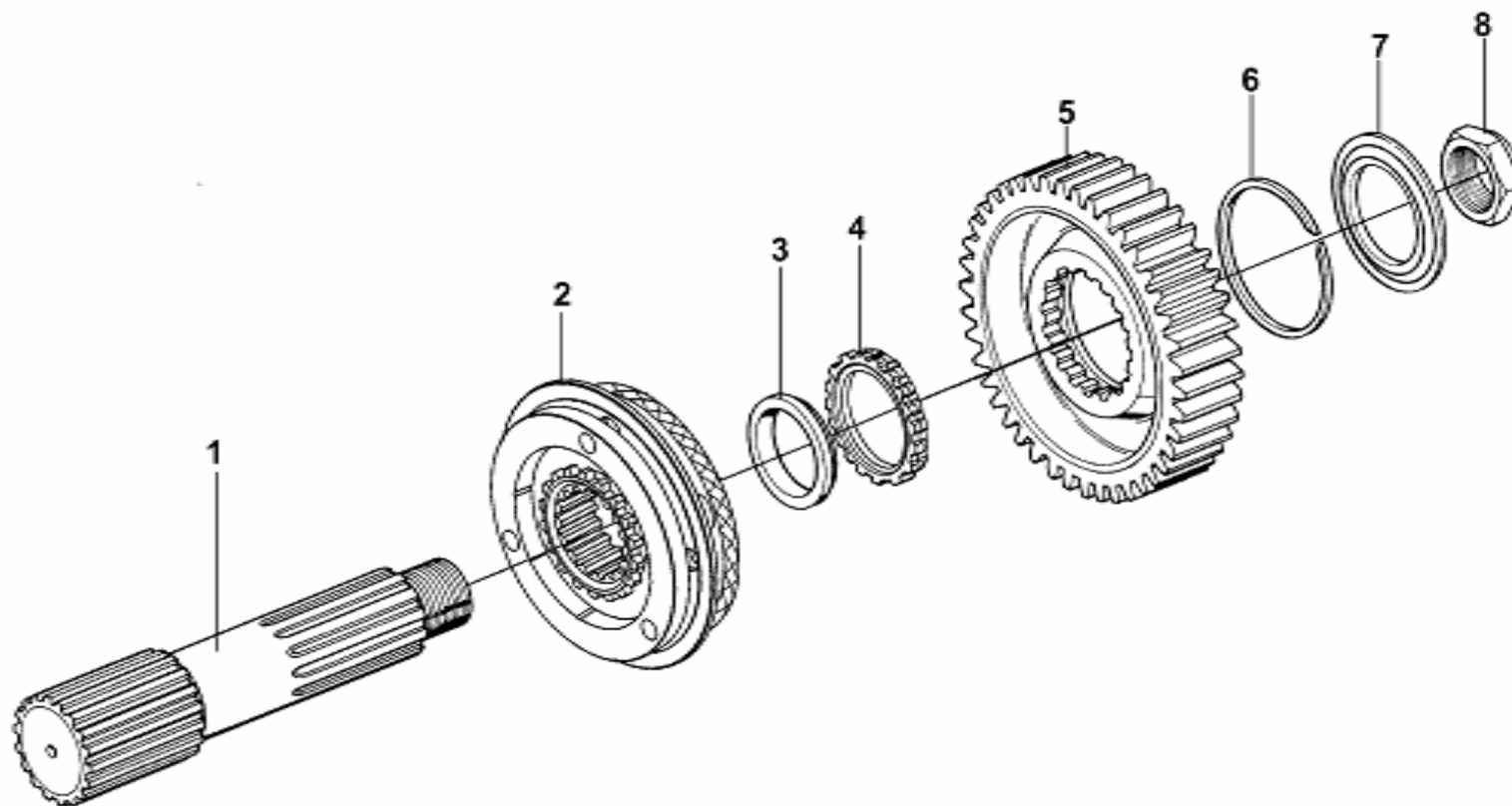
17-K



序号 No.	件号 Part No.	数量 Quantity	名称 Name	规格 Specification	适用产品 Products Applied	备注 Remark
1	16763	2	止动环 Stop Ring			
2	C01033	1	挡圈固定环 Retainer Fixing Ring			
3	16628	1	止动环 Stop Ring			
4	50118	1	带止动槽的单列向心球轴承 Single-Row Radial Ball Bearings With Stop Groove			
5	C01019	1	止动环 Stop Ring			
6	16138	1	副箱轴承定位盘 Additional Gearbox Bearing Location Plate			
7	GB25-76	6	小六角头头部带孔螺栓 Small Hexagon Head Bolt With Hole	M10×22		
8	1819	按需 On-Demand	铁丝 Iron Wire			
9	18869	1	副箱驱动齿轮 Additional Gearbox Drive Gear			

RT-11509C 变速器副箱主轴总成
RT-11509C TRANSMISSION ADDITIONAL GEARBOX MAIN SPINDLE ASSEMBLY

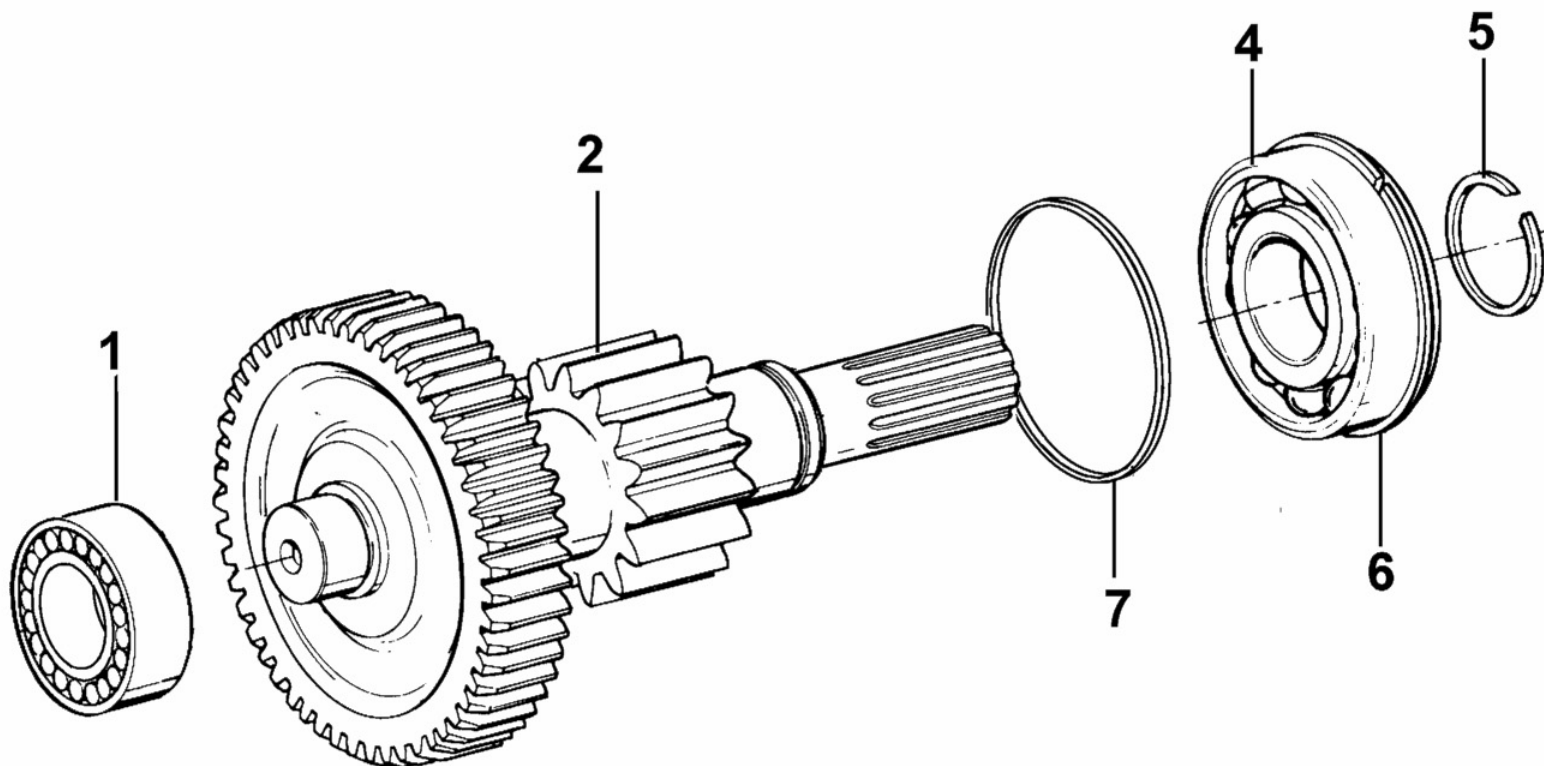
17-L



序号 No.	件号 Part No.	数量 Quantity	名称 Name	规格 Specification	适用产品 Products Applied	备注 Remark
1	F99882	1	副箱主轴 Additional Gearbox Main Spindle			
2	A-C09005	1	高低档同步器总成 High And Low Gear Synchronizer Assembly			
3	14332	1	副箱主轴垫圈 Additional Gearbox Main Spindle Washer			
4	14331	1	副箱主轴齿轮垫片 Additional Gearbox Main Spindle Gear Shim			
5	19726	1	副箱主轴减速齿轮 Additional Gearbox Main Spindle Reduction Gear			
6	14327	1	止动环 Stop Ring			
7	19466	1	副箱减速齿轮垫片 Additional Gearbox Reduction Gear Shim			
8	F96006	1	凸缘螺母 Flanged Nut			

RT-11509C 变速器副箱左右中间轴
RT-11509C TRANSMISSION ADDITIONAL GEARBOX LEFT AND RIGHT
COUNTERSHAFT

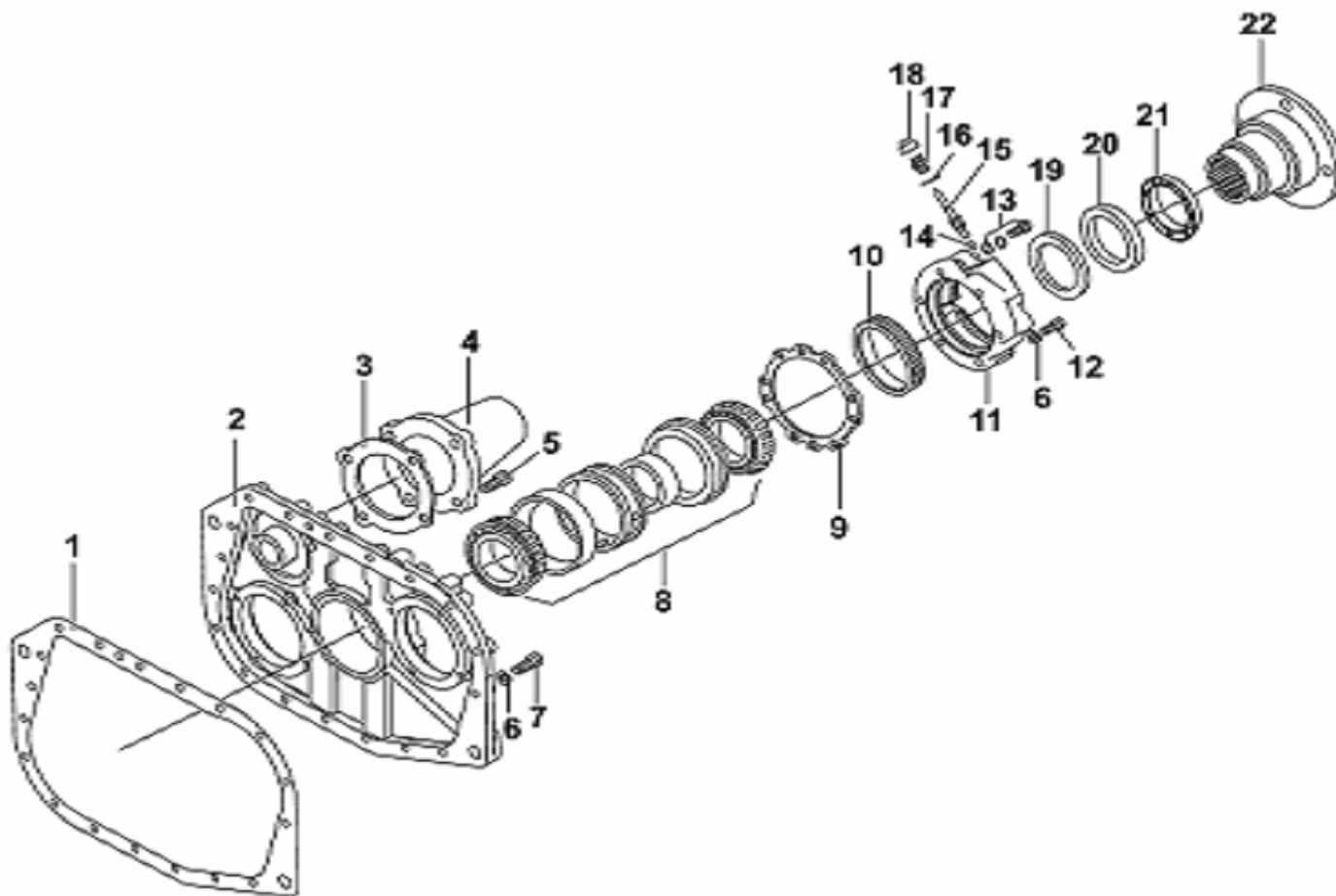
17-M



序号 No.	件号 Part No.	数量 Quantity	名称 Name	规格 Specification	适用产品 Products Applied	备注 Remark
1	42307E	1	短圆柱滚子轴承 Cylindrical Roller Bearing With Short Rollers			
2	A-5119	1	副箱加长中间轴焊接总成 Additional Gearbox Extension Countershaft Welding Assembly			
4	192310E	1	短圆柱滚子轴承 Cylindrical Roller Bearing With Short Rollers			
5	16723	1	止动环 Stop Ring			
6	C01020	1	止动环 Stop Ring			
7	17384	1	轴承垫圈 Bearing Washer			

RT-11509C 变速器后盖总成
RT-11509C TRANSMISSION REAR COVER ASSEMBLY

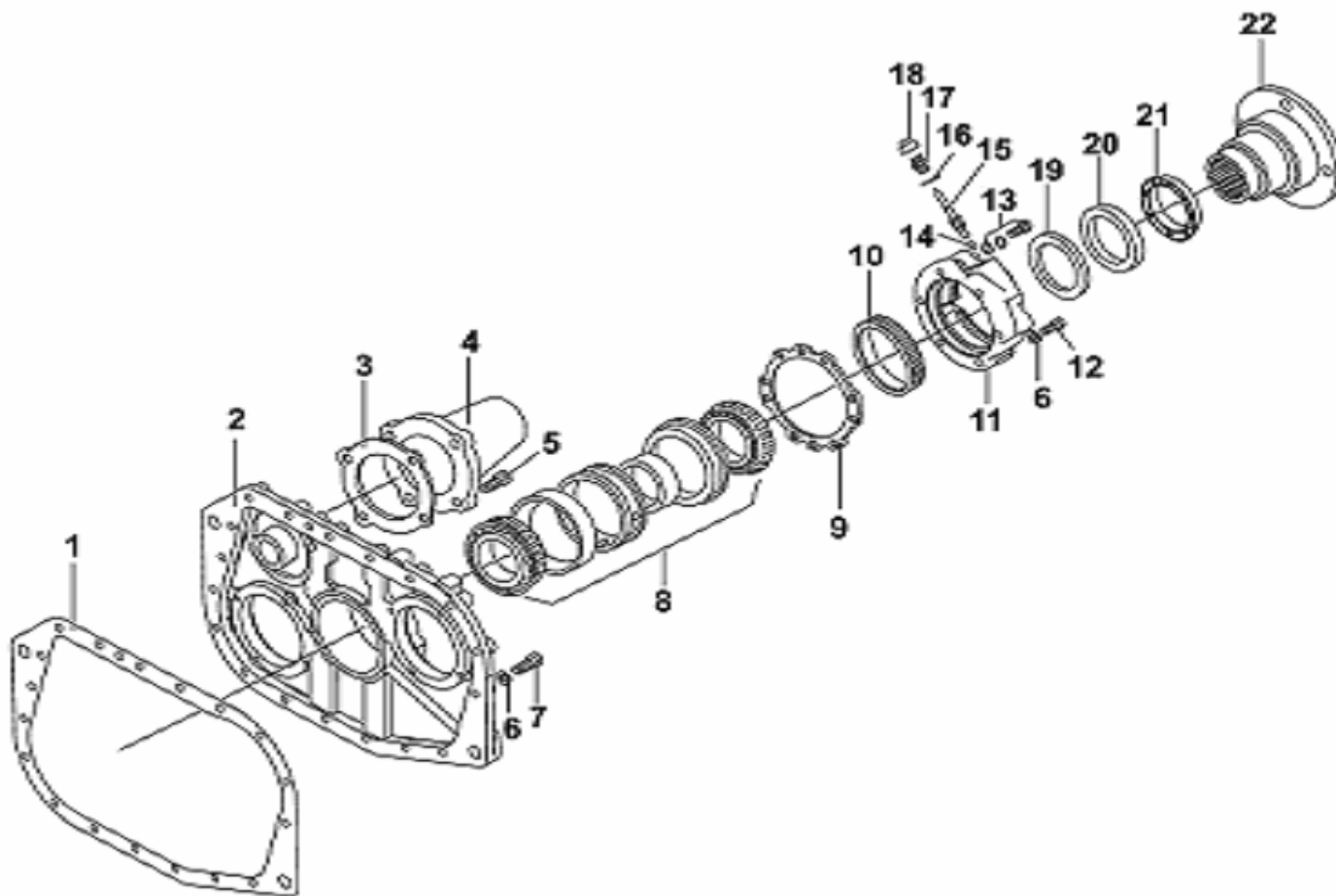
17-N



序号 No.	件号 Part No.	数量 Quantity	名称 Name	规格 Specification	适用产品 Products Applied	备注 Remark
1	14335	1	后盖衬垫 Rear Cover Gasket			
2	F99975	1	后盖壳体 Rear Cover Case			
3	17352	1	副箱中间轴轴承盖衬垫 Additional Gearbox Countershaft Bearing Cover Gasket			
4	17376	2	加长中间轴轴承盖 Extension Countershaft Bearing Cover			
5	A-C09008	8	螺栓总成 Bolt Assembly			
6	GB93-76	22	弹簧垫圈 Spring Washer	10		
7	GB21-76	18	小六角头螺栓 Small Hexagon Head Bolt	M10		
8	717813	1	圆锥滚子轴承 Tapered Roller Bearing			
9	15532	1	副箱主轴后轴承盖衬垫 Additional Gearbox Main Spindle Rear Bearing Cover Gasket			
10	F91054	1	里程表主动齿轮 Odometer DriveGear			
11	F99967	1	输出轴后轴承盖 Output Shaft Rear Bering Cover			
12	GB21-76	5	小六角头螺栓 Small Hexagon Head Bolt	M10×75		
13	A-C09009	1	螺栓总成 Bolt Assembly			

RT-11509C 变速器后盖总成
RT-11509C TRANSMISSION REAR COVER ASSEMBLY

17-N

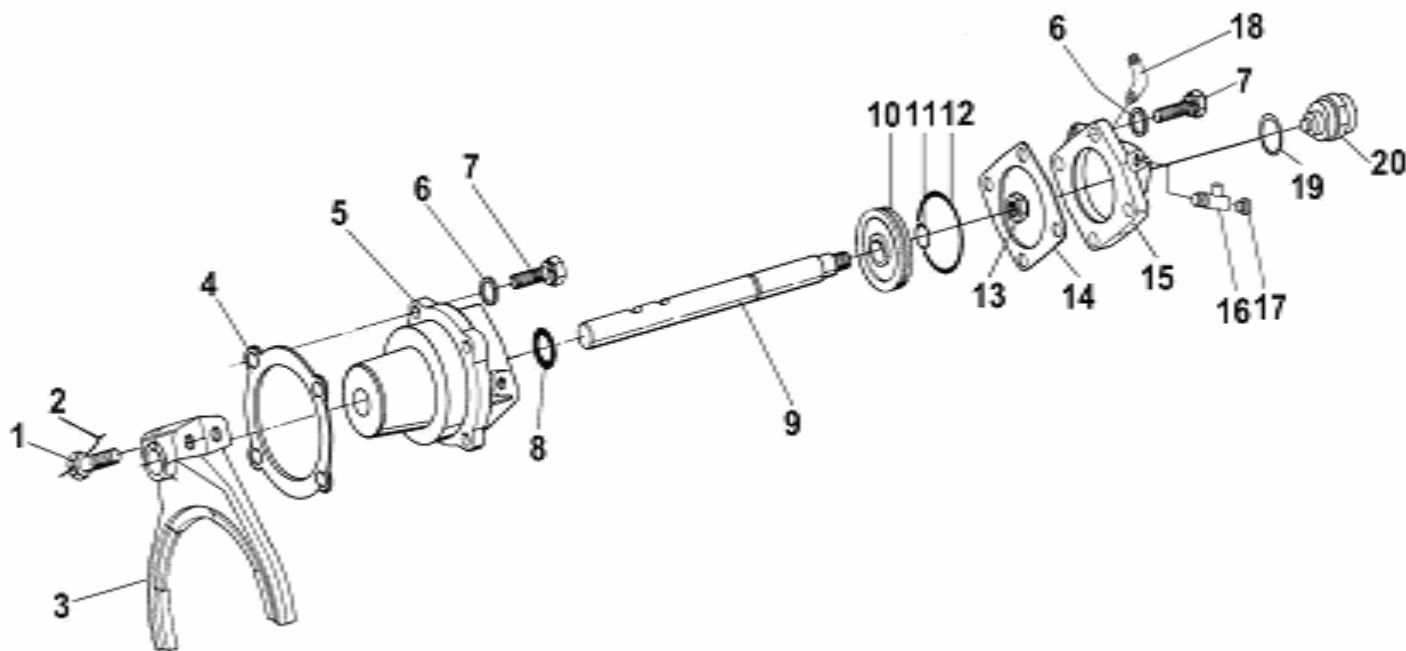


序号 No.	件号 Part No.	数量 Quantity	名称 Name	规格 Specification	适用产品 Products Applied	备注 Remark
14	7992	1	里程表被动齿轮轴套 Odometer Driven Gear Shaft Sleeve			
15	F91055	1	里程表被动齿轮 Odometer Driven Gear			
16	F96005	1	垫片 Shim			
17	F91005-1	1	里程表接头 Odometer Connector			
	HG4-333-66	1	O型圈 O-Ring	Φ12×1.9		
18	X11412	1	里程表防护套 Odometer Guard			
19	19109	1	油封 Oil Seal			
20	C01032	1	主轴后轴承盖油封 Main Spindle Rear Bearing Cover Oil Seal			
21	F96119	1	防尘罩 Dust Cover			
22	F99900-5	1	输出法兰盘 Output Flange			

RT-11509C 变速器副箱气缸总成

RT-11509C TRANSMISSION ADDITIONAL GEARBOX CYLINDER ASSEMBLY

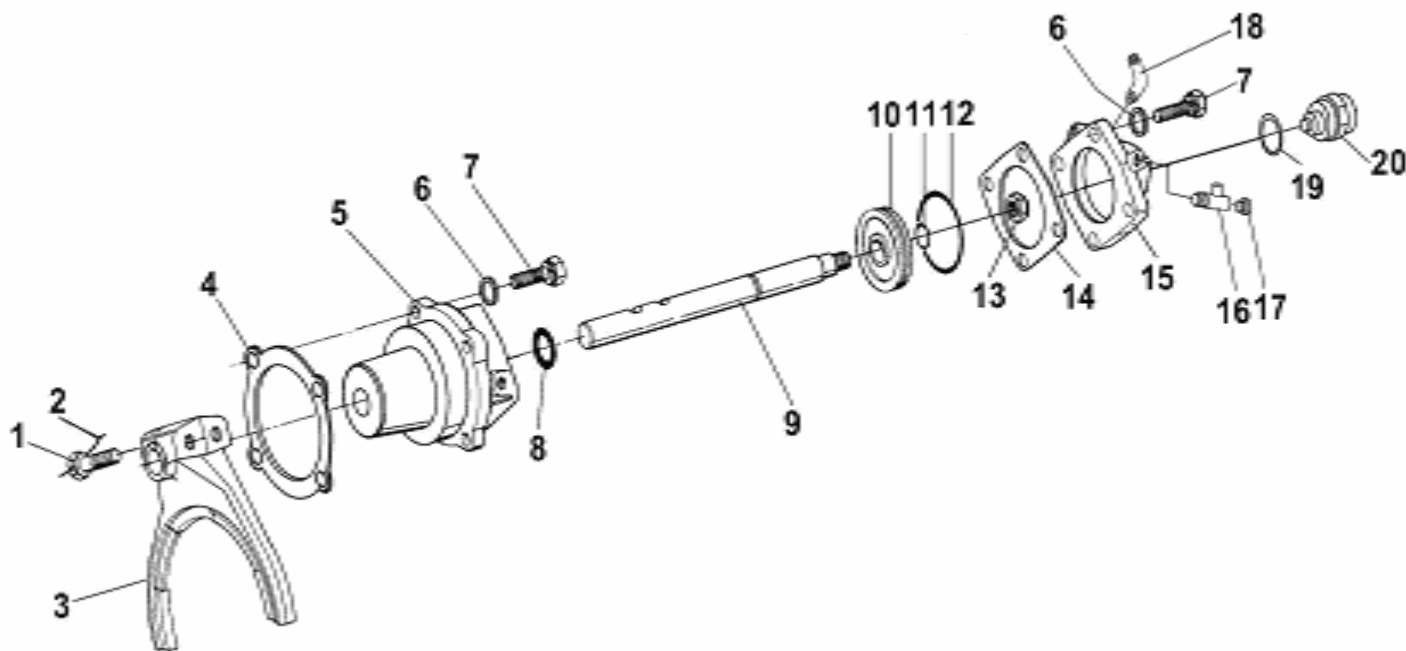
17-0



序号 No.	件号 Part No.	数量 Quantity	名称 Name	规格 Specification	适用产品 Products Applied	备注 Remark
1	GB25-76	2	小六角头头部带孔螺栓 Small Hexagon Head Bolt With Hole	M12×1.25×50		
2	1819	按需 On-Demand	铁丝 Iron Wire			
3	16775	1	副箱拨叉 Additional Gearbox Fork			
4	14347	1	密封垫 Gasket			
5	16778	1	范围档气缸 Range Shift Cylinder			
6	GB93-76	8	弹簧垫圈 Spring Washer	10		
7	GB21-76	8	小六角头螺栓 Small Hexagon Head Bolt	M10×32		
8	14765	1	O型密封圈 O-Seal Ring			
9	16993	1	范围档拨叉轴 Range Shift Fork Shaft			
10	14341	1	范围档气缸活塞 Range Shift Cylinder Piston			
11	14345	1	O型密封圈 O-Seal Ring			
12	14344	1	O型密封圈 O-Seal Ring			
13	GB890-80	1	六角尼龙圈锁紧薄螺母 Hexagon Nylon Ring Lock Thin Nut	M16×1.5		
14	14349	1	气缸盖密封垫 Cylinder Head Grommet			

RT-11509C 变速器副箱气缸总成
RT-11509C TRANSMISSION ADDITIONAL GEARBOX CYLINDER ASSEMBLY

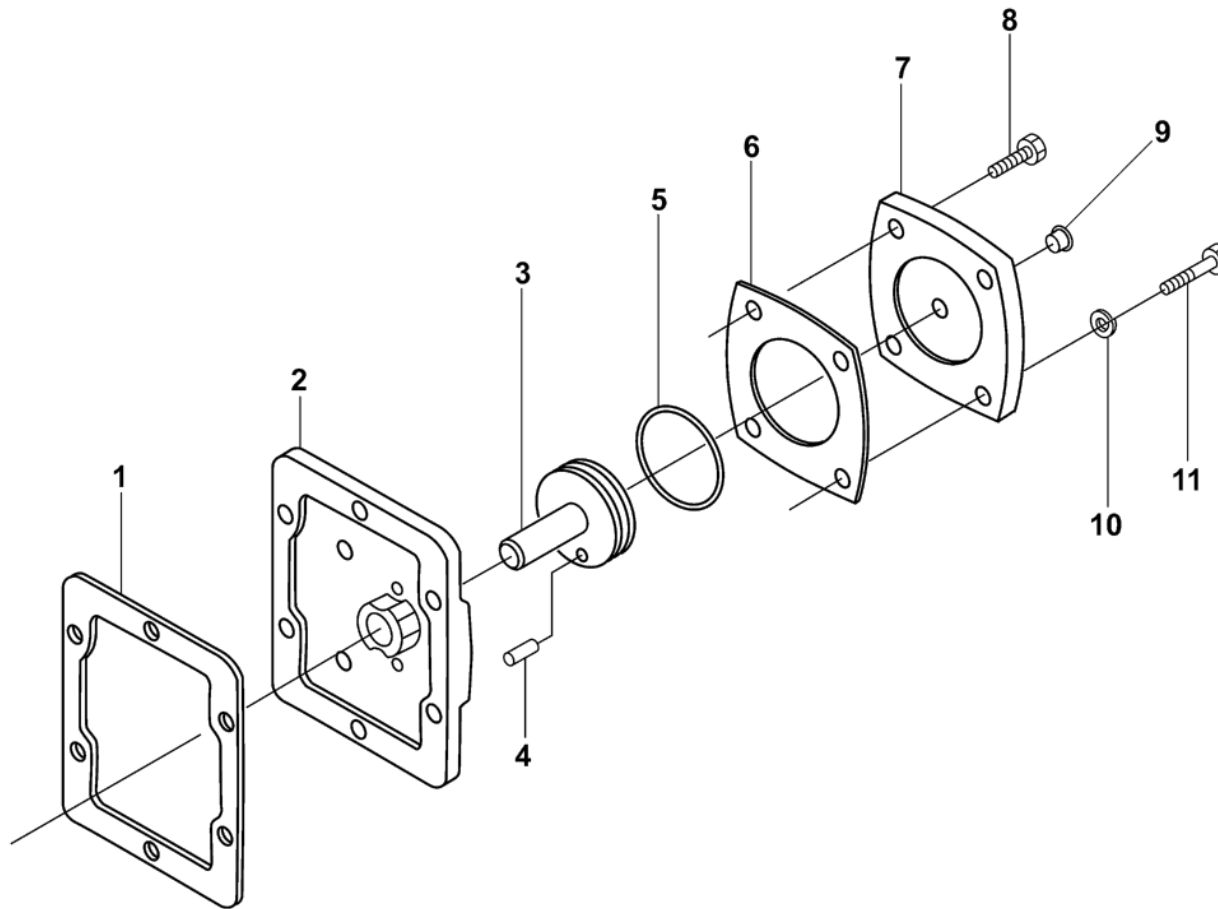
17-0



序号 No.	件号 Part No.	数量 Quantity	名称 Name	规格 Specification	适用产品 Products Applied	备注 Remark
15	F99857	1	副箱换挡气缸盖 Additional Gearbox Shift Cylinder Cover			
16	C03052	1	三通管接头 3-Way Tube Connector	NPT1/8		
17	Q618B01	1	方头锥形螺塞 Square Tapered Screw Plug	NPT1/8		
18	12880	1	45° 弯管接头 45° Elbow Connector			
19	X11511	4	褶皱铜垫圈 Corrugated Copper Washer			
20	791.00.71.0069	1	压力开关 Pressure Switch			

RT-11509C 变速器中间轴制动器总成
RT-11509C TRANSMISSION COUNTERSHAFT BRAKE ASSEMBLY

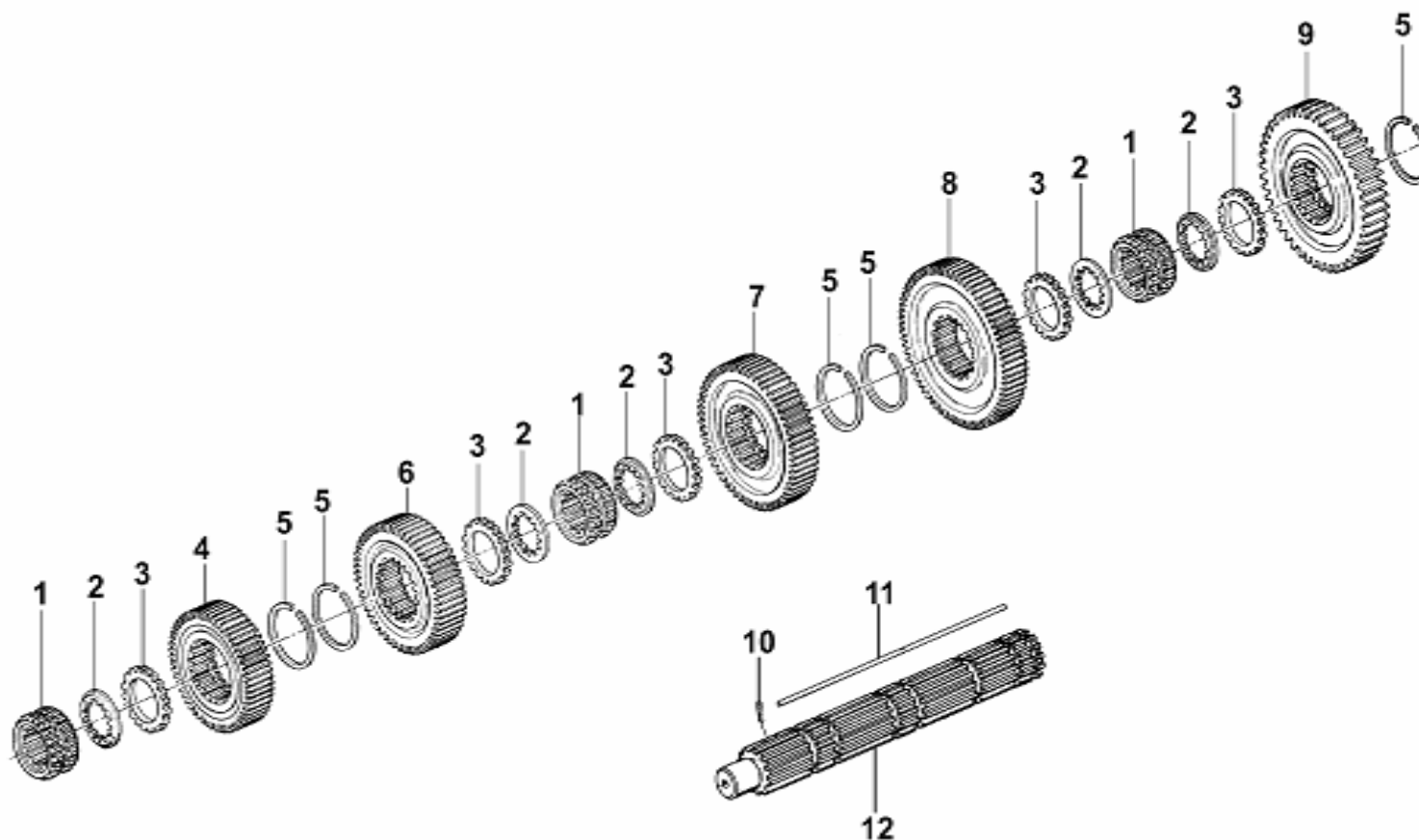
17-P



序号 No.	件号 Part No.	数量 Quantity	名称 Name	规格 Specification	适用产品 Products Applied	备注 Remark
1	1684	1	衬垫 Gasket			
2	16656	1	中间轴制动器壳 Countershaft Brake Cap			
3	16658	1	中间轴制动器活塞 Countershaft Brake Piston			
4	GB879-76	1	弹性圆柱销 Spring Cylindrical Pin	6×16		
5	16660	1	O型密封圈 O-Seal Ring			
6	16661	1	中间轴制动器活塞盖衬垫 Countershaft Brake Piston Cover Gasket			
7	16659	1	中间轴制动器活塞盖 Countershaft Brake Piston Cover			
8	GB21-76	4	小六角头螺栓 Small Hexagon Head Bolt	M10×32		
9	54010	1	CA碗形塞片 CA Bowl Hollow Plug			
10	GB93-76	6	弹簧垫圈 Spring Washer	10		
11	GB21-76	2	小六角头螺栓 Small Hexagon Head Bolt	M10×55		

9JS119 变速器二轴总成
9JS119 TRANSMISSION NO.2 SHAFT ASSEMBLY

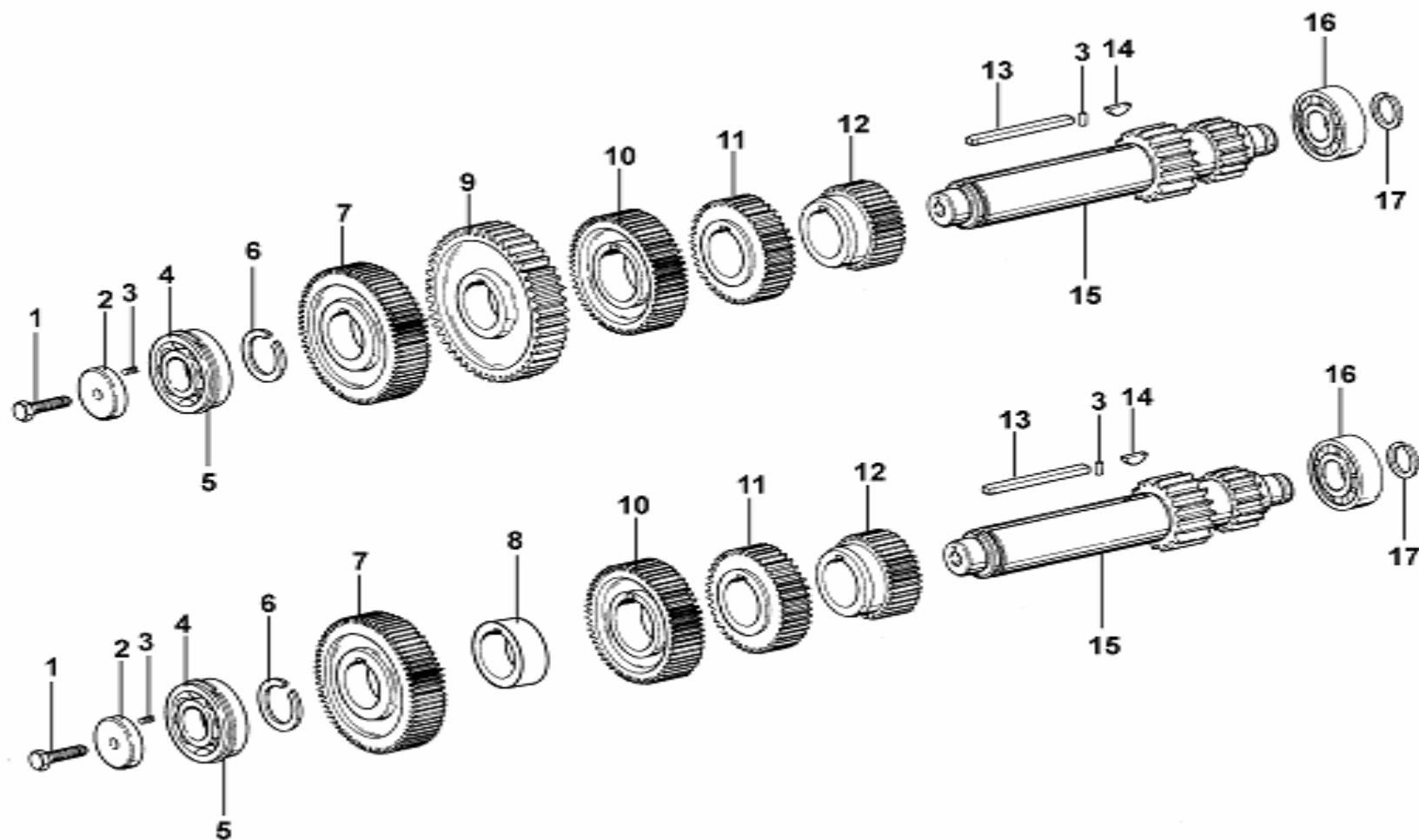
17-Q



序号 No.	件号 Part No.	数量 Quantity	名称 Name	规格 Specification	适用产品 Products Applied	备注 Remark
1	16118	3	二轴滑套 No.2 Shaft Sliding Bush			
2	18701	5	二轴齿轮调整垫 No.2 Shaft Gear Adjusting Gasket			
3	14749	5	二轴齿轮花键垫片 No.2 Shaft Gear Spline Shim			
4	JS119-1701113	1	二轴三档齿轮 No.2 Shaft 3rd Gear			
5	14750	5	止动环 Stop Ring			
6	JS119-1701112	1	二轴二档齿轮 No.2 Shaft 2nd Gear			
7	JS119-1701111	1	二轴一档齿轮 No.2 Shaft 1st Gear			
8	JS119-1701110	1	二轴低档齿轮 No.2 Shaft Low Gear			
9	JS119-1701109	1	二轴倒档齿轮 No.2 Shaft Reverse Gear			
10	GB879-76	1	弹性圆柱销 Spring Cylindrical Pin	3×10		
11	17109	1	二轴六角键 No.2 Shaft Hex Key			
12	18729	1	二轴 No.2 Shaft			

9JS119 变速器左右中间轴总成 9JS119 TRANSMISSION LEFT AND RIGHT COUNTERSHAFT ASSEMBLY

17-R

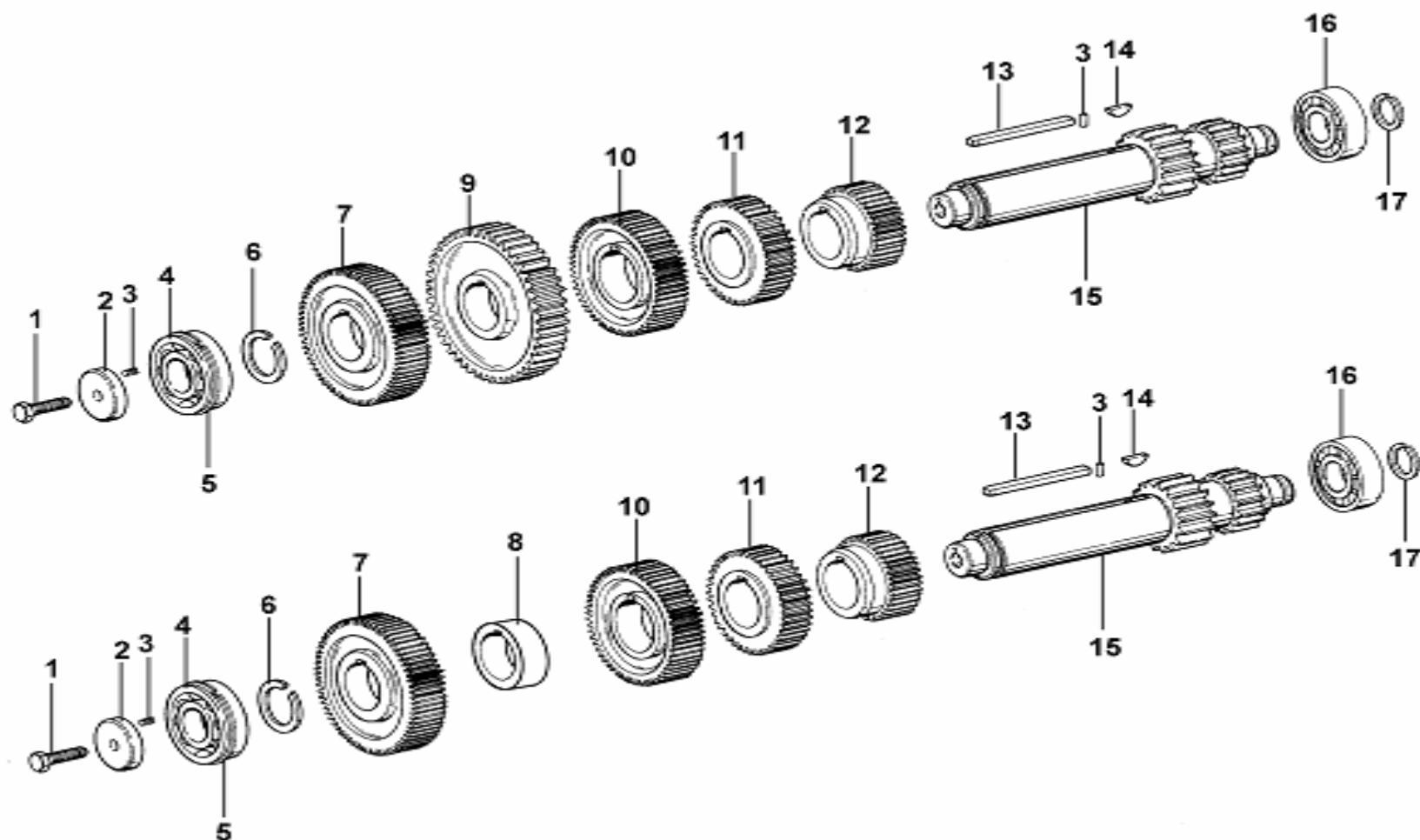


序号 No.	件号 Part No.	数量 Quantity	名称 Name	规格 Specification	适用产品 Products Applied	备注 Remark
1	GB21-76	2	六角头螺栓 Hexagon Head Bolt	M16×1.5×45		
2	19668	2	中间轴轴承档板 Countershaft Bearing Plate			
3	GB879-76	4	弹性圆柱销 Spring Cylindrical Pin	5×14		
4	370309Y	2	单列向心球轴承 Single-Row Radial Ball Bearing			
5	C01021	2	止动环 Stop Ring			
6	19198	2	中间轴止动环 Countershaft Stop Ring			
7	JS119-1701054	2	中间轴传动齿轮 Countershaft Drive Gear			
8	C01025	1	隔套 Spacing Sleeve			
9	C01026	1	摩擦轮 Friction Wheel			
10	JS119-1701053	2	中间轴三档齿轮 Countershaft 3rd Gear			
11	JS119-1701052	2	中间轴二档齿轮 Countershaft 2nd Gear			
12	JS119-1701051	2	中间轴一档齿轮 Countershaft 1st Gear			
13	19673	2	中间轴四方键 Countershaft Square Key			
14	X-6-E	2	半圆键 Woodruff Key			

9JS119 变速器左右中间轴总成

9JS119 TRANSMISSION LEFT AND RIGHT COUNTERSHAFT ASSEMBLY

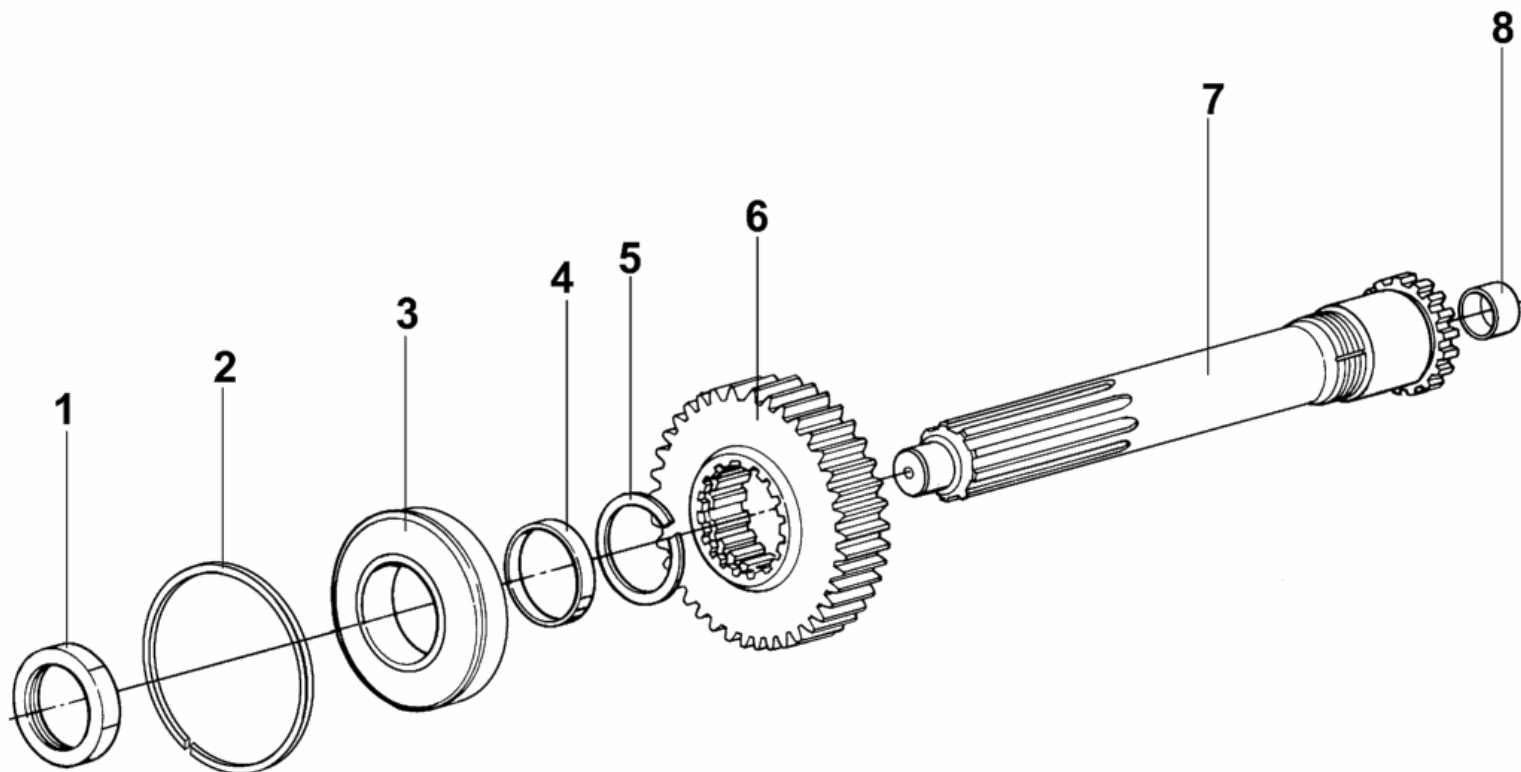
17-R



序号 No.	件号 Part No.	数量 Quantity	名称 Name	规格 Specification	适用产品 Products Applied	备注 Remark
15	JS119-1701048	2	中间轴 Countershaft			
16	102308E	2	短圆柱滚子轴承 Cylindrical Roller Bearing With Short Rollers			
17	14317	2	止动环 Stop Ring			

9JS119 变速器一轴总成
9JS119 TRANSMISSION NO.1 SHAFT ASSEMBLY

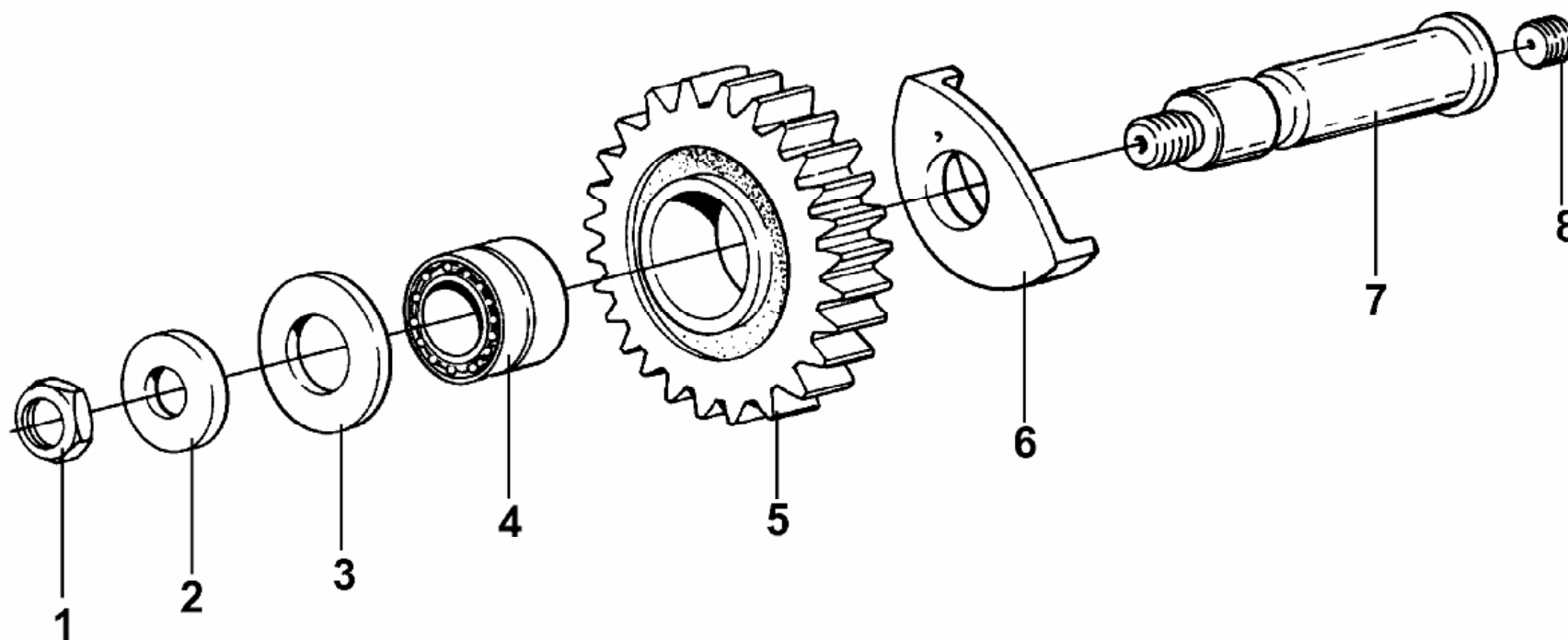
17-S



序号 No.	件号 Part No.	数量 Quantity	名称 Name	规格 Specification	适用产品 Products Applied	备注 Remark
1	8858	1	一轴螺母 No.1 Shaft Nut			
2	C01020	1	止动环 Stop Ring			
3	150212K	1	单列向心球轴承 Single-Row Radial Ball Bearing			
4	16463	1	齿轮隔垫 Gear Bush			
5	14750	1	止动环 Stop Ring			
6	JS119-1701030	1	一轴齿轮 No.1 Shaft Gear			
7	19694-20	1	一轴 No.1 Shaft			
8	16566	1	二轴导套 No.2 Shaft Guide Bush			

9JS119 变速器倒档中间轴总成
9JS119 TRANSMISSION REVERSE COUNTERSHAFT ASSEMBLY

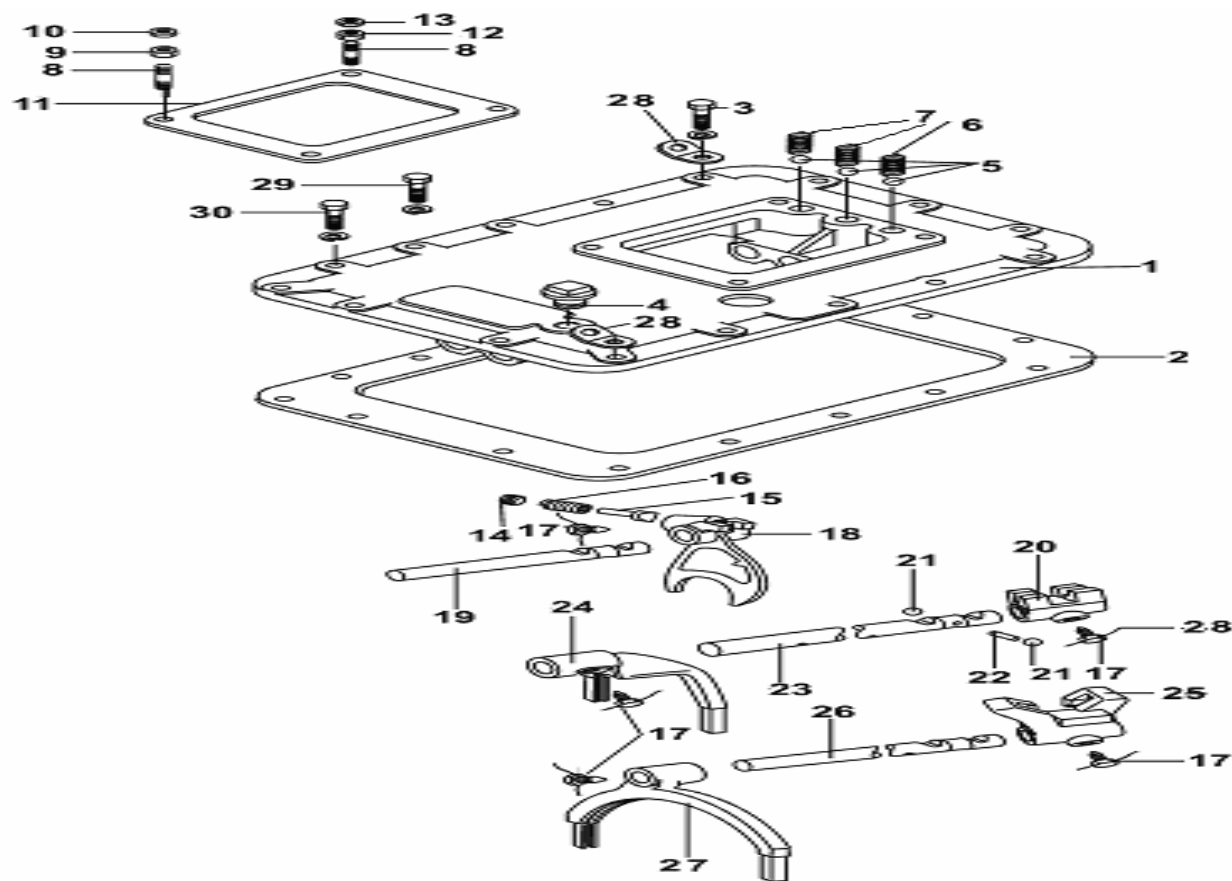
17-T



序号 No.	件号 Part No.	数量 Quantity	名称 Name	规格 Specification	适用产品 Products Applied	备注 Remark
1	GB890-80	2	螺母 Nut	M16×1.5		
2	14283	2	倒档中间轴垫圈 Reverse Shaft Washer			
3	14282	2	倒档止推垫圈 Reverse Gear Thrust Washer			
4	14287	2	滚针轴承 Needle Roller Bearing			
5	JS119-1701083	2	倒档中间齿轮 Reverse Idler Gear			
6	16403	2	杯形倒档垫圈 Cup Reverse Gear Washer			
7	16405	2	倒档中间轴 Reverse Shaft			
8	GB73-76	2	平端紧定螺钉 Flat Set Screw	M12×12		

9JS119 变速器上盖总成 9JS119 TRANSMISSION UPPER COVER ASSEMBLY

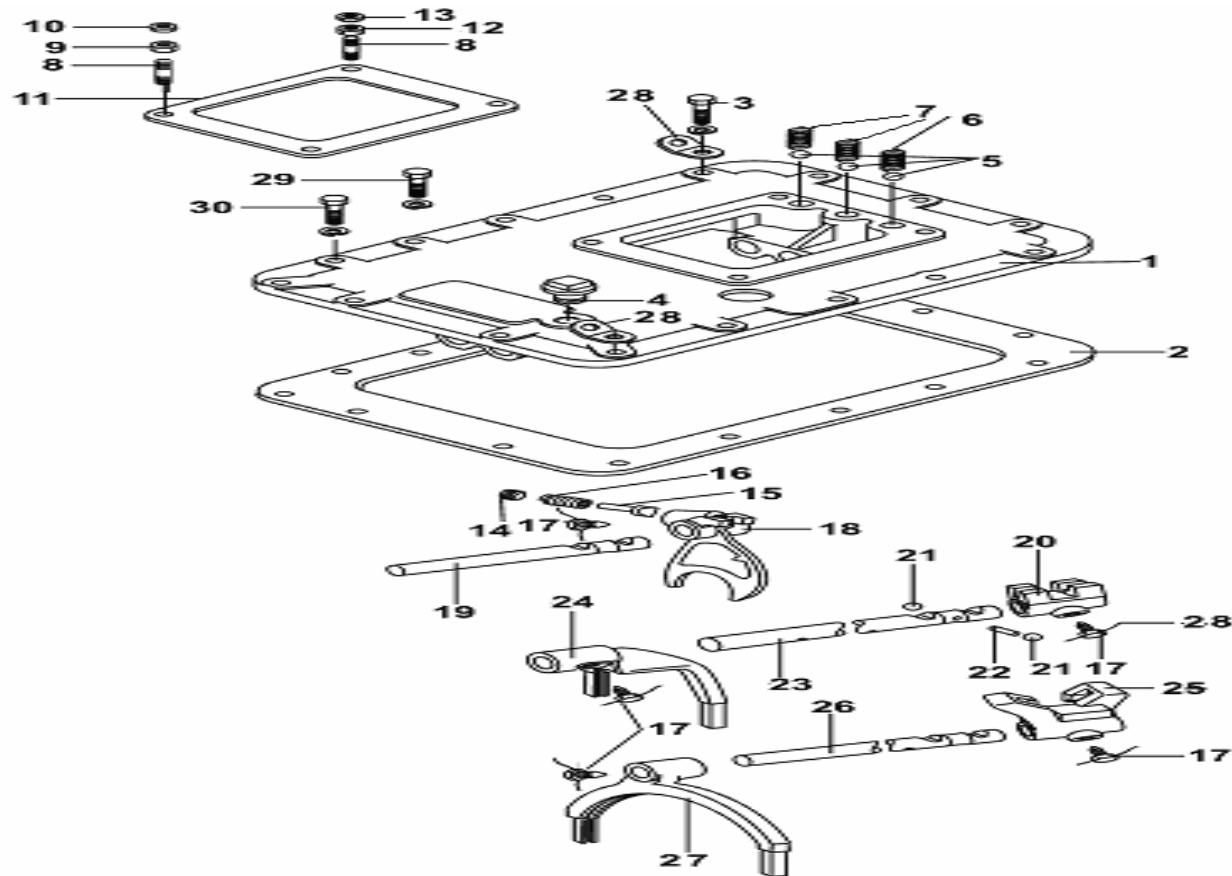
17-U



序号 No.	件号 Part No.	数量 Quantity	名称 Name	规格 Specification	适用产品 Products Applied	备注 Remark
1	F99980	1	上盖 Upper Cover			
2	14918	1	上盖衬垫 Upper Cover Gasket			
3	GB5782-86	2	六角头螺栓 Hexagon Head Bolt	M10×35		
	GB93-87	2	弹簧垫圈 Spring Washer	10		
4	Q614B10	1	方头锥形螺塞 Square Tapered Screw Plug			
5	GB308-89	3	钢球 Steel Ball	12.7		
6	F96084	1	压缩弹簧 Compression Spring			
7	F96085	2	压缩弹簧 Compression Spring			
8	11066	4	双头螺栓 Stud Bolt			
9	X-1-603	2	六角螺母 Hexagon Nut			
10	Q351B10	2	六角薄螺母 Hexagon Thin Nut			
11	1642	1	操纵窗口衬垫 Shifting Hole Gasket			
12	Q361B10	2	I型六角螺母 Hexagon Full Nut			
13	Q40310	2	弹簧垫圈 Spring Washer			

9JS119 变速器上盖总成 9JS119 TRANSMISSION UPPER COVER ASSEMBLY

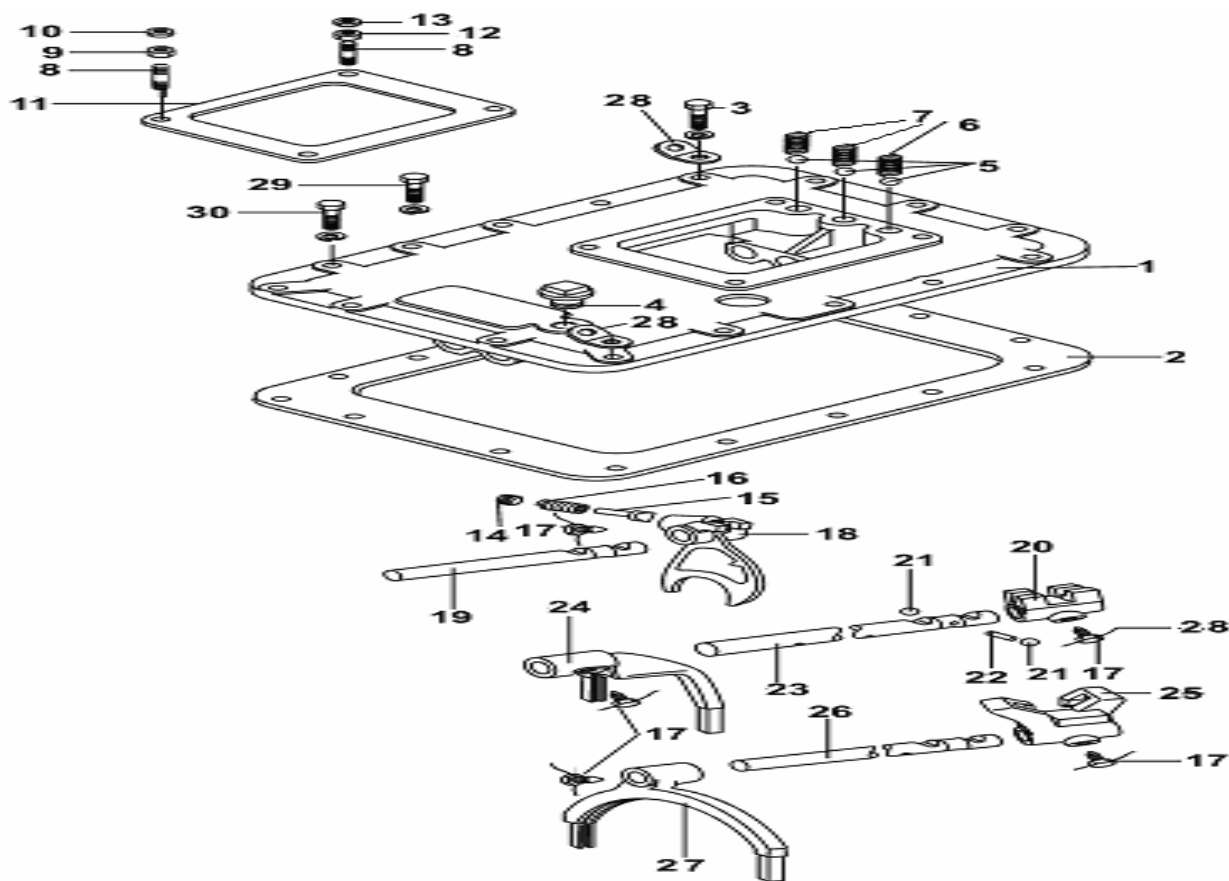
17-U



序号 No.	件号 Part No.	数量 Quantity	名称 Name	规格 Specification	适用产品 Products Applied	备注 Remark
14	8968	1	倒档锁螺塞 Reverse Lock Plug			
15	F99671	1	倒档锁柱塞 Reverse Lock Plunger			
16	8774-1	1	倒档锁弹簧 Reverse Lock Spring			
17	3220	5	换档拨叉锁止螺钉 Shift Fork Lock Screw			
18	F99664	1	低倒档拨叉 Low Reverse Fork			
19	16132	1	低倒档拨叉轴 Low Reverse Fork Shaft			
20	F99588	1	1/2 和 5/6 档导块 1st , 2nd Gear And 5th, 6th Gear Guide Block			
21	GB308-89	2	钢球 Steel Ball	19.05		
22	1634	1	拨叉轴联锁销 Fork Shaft Interlock Pin			
23	16133	1	一二档拨叉轴 1st , 2nd Gear Fork Shaft			
24	16135	1	一二档拨叉 1st , 2nd Gear Fork			
25	F99589	1	3/4 和 7/8 档导块 3th, 4th Gear And 7th, 8th Gear Guide Block			
26	18643	1	三四档拨叉轴 3th, 4th Gear Fork Shaft			
27	16136	1	三四档拨叉 3th, 4th Gear Fork			

9JS119 变速器上盖总成 9JS119 TRANSMISSION UPPER COVER ASSEMBLY

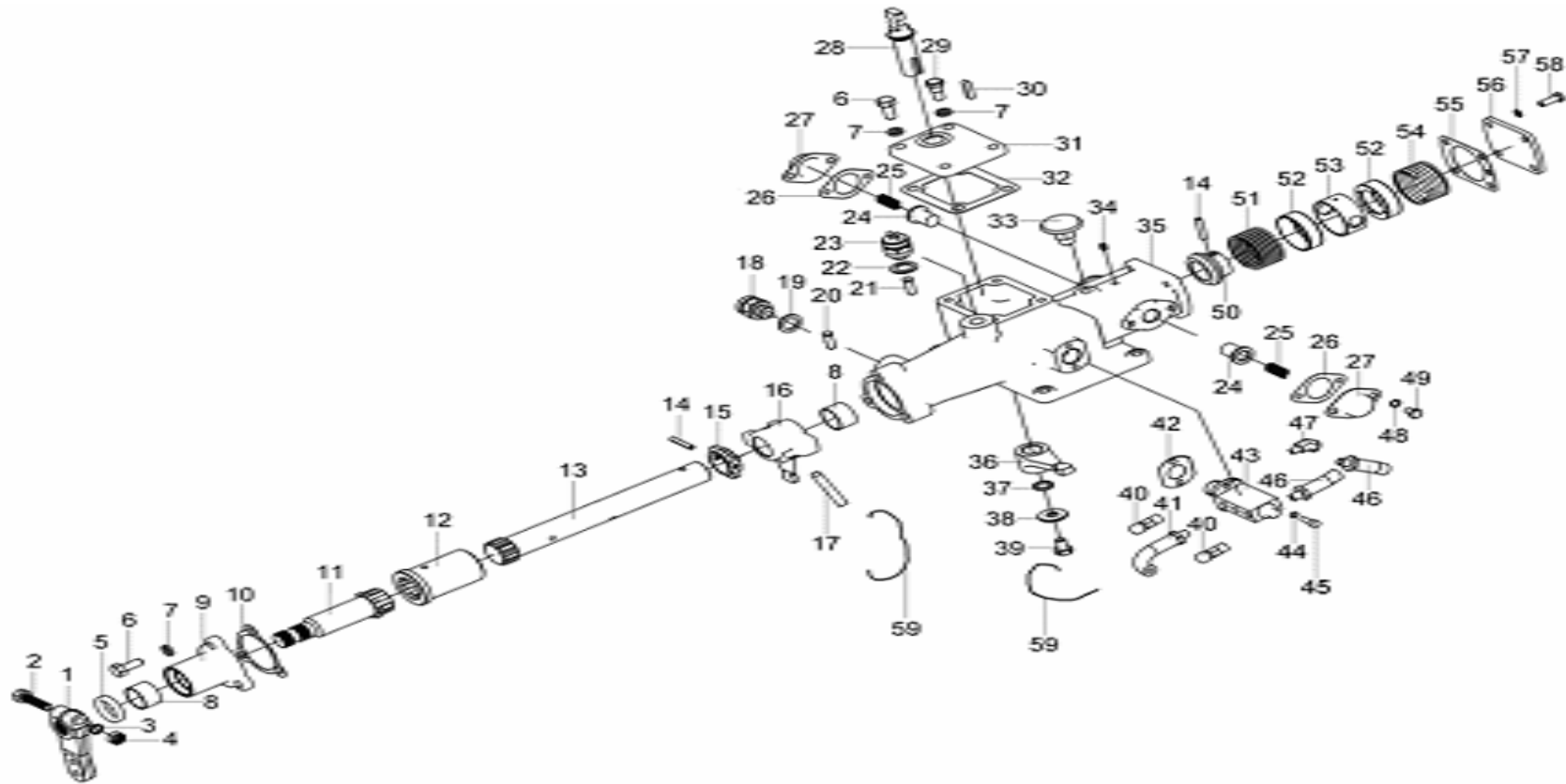
17-U



序号 No.	件号 Part No.	数量 Quantity	名称 Name	规格 Specification	适用产品 Products Applied	备注 Remark
28	20815	2	起吊弯板 Bend Shackle			
29	GB5782-86	12	六角头螺栓 Hexagon Head Bolt	M10×32		
	GB93-87	12	弹簧垫圈 Spring Washer	10		
30	GB27-88	2	六角头铰制孔用螺栓 Hexagon Bolt For Reamed Hole	M10×32		
	GB93-87	2	弹簧垫圈 Spring Washer	10		

9JS119 变速器操纵装置总成 9JS119 TRANSMISSION CONTROL ASSEMBLY

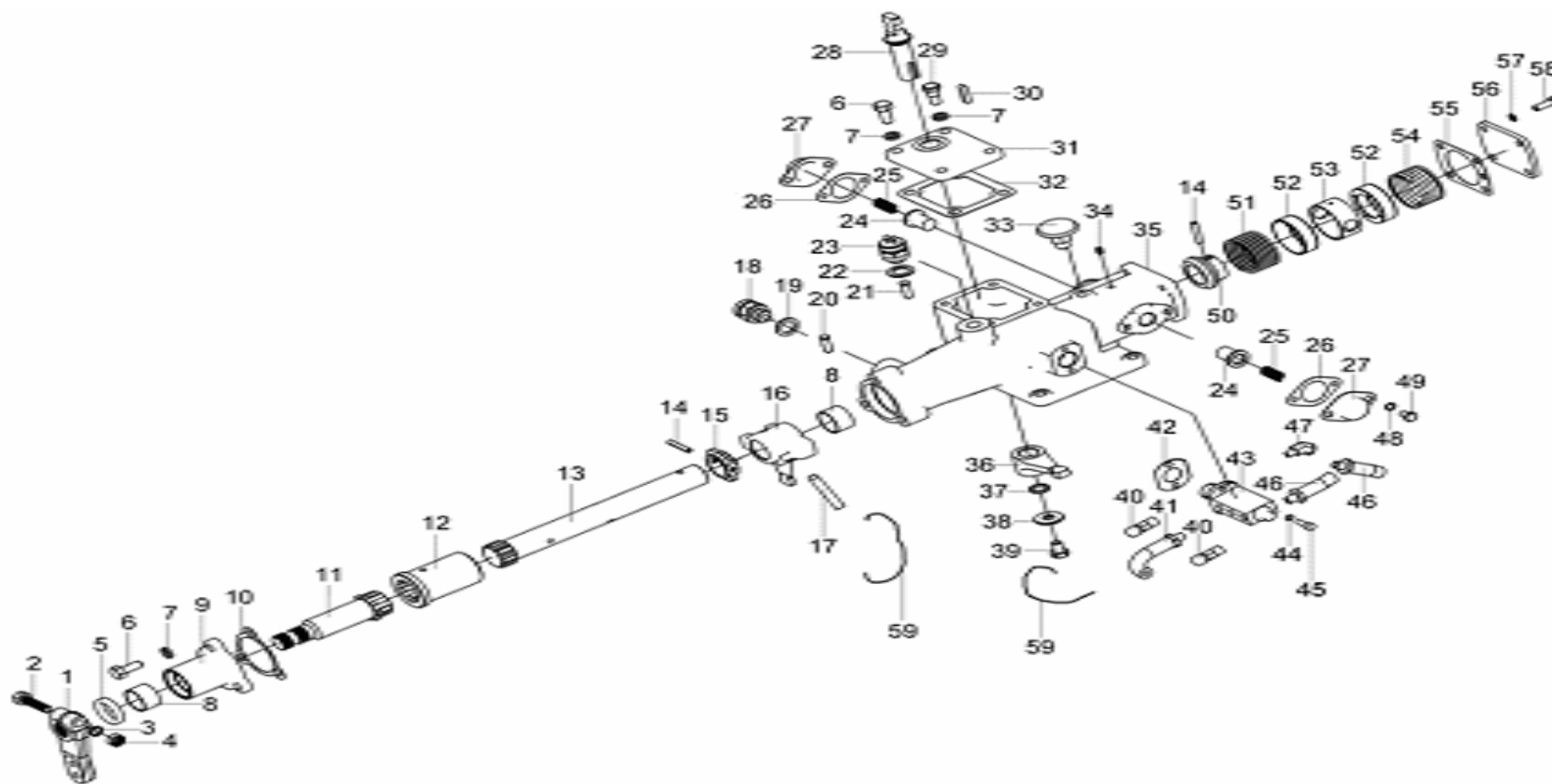
17-V



序号 No.	件号 Part No.	数量 Quantity	名称 Name	规格 Specification	适用产品 Products Applied	备注 Remark
1	F96035	1	LRC 外换挡臂 LRC Outer Shifting Arm			
2	GB21-76	1	小六角头螺栓 Small Hexagon Head Bolt	M10×1×50		
3	GB93-76	1	弹簧垫圈 Spring Washer	10		
4	Q34110	1	六角螺母 Hexagon Nut			
5	F91444	1	油封 Oil Seal			
6	Q150B1025	3	六角头螺栓 Hexagon Head Bolt			
7	Q40310	3	弹簧垫圈 Spring Washer			
8	F91345	2	横向换挡杆衬套 Lateral Shift Lever Bush			
9	C03033-2	1	端盖 End Cover			
10	C03034-1	1	挡板衬垫 Baffle Gasket			
11	C03032-3	1	换挡接头 Shifting Connector			
12	C03031-1	1	花键套 Spline Housing			
13	F99679-8	1	横向换挡杆 Lateral Shift Lever			
14	GB879-76	2	弹性圆柱销 Spring Cylindrical Pin	6×35		

9JS119 变速器操纵装置总成 9JS119 TRANSMISSION CONTROL ASSEMBLY

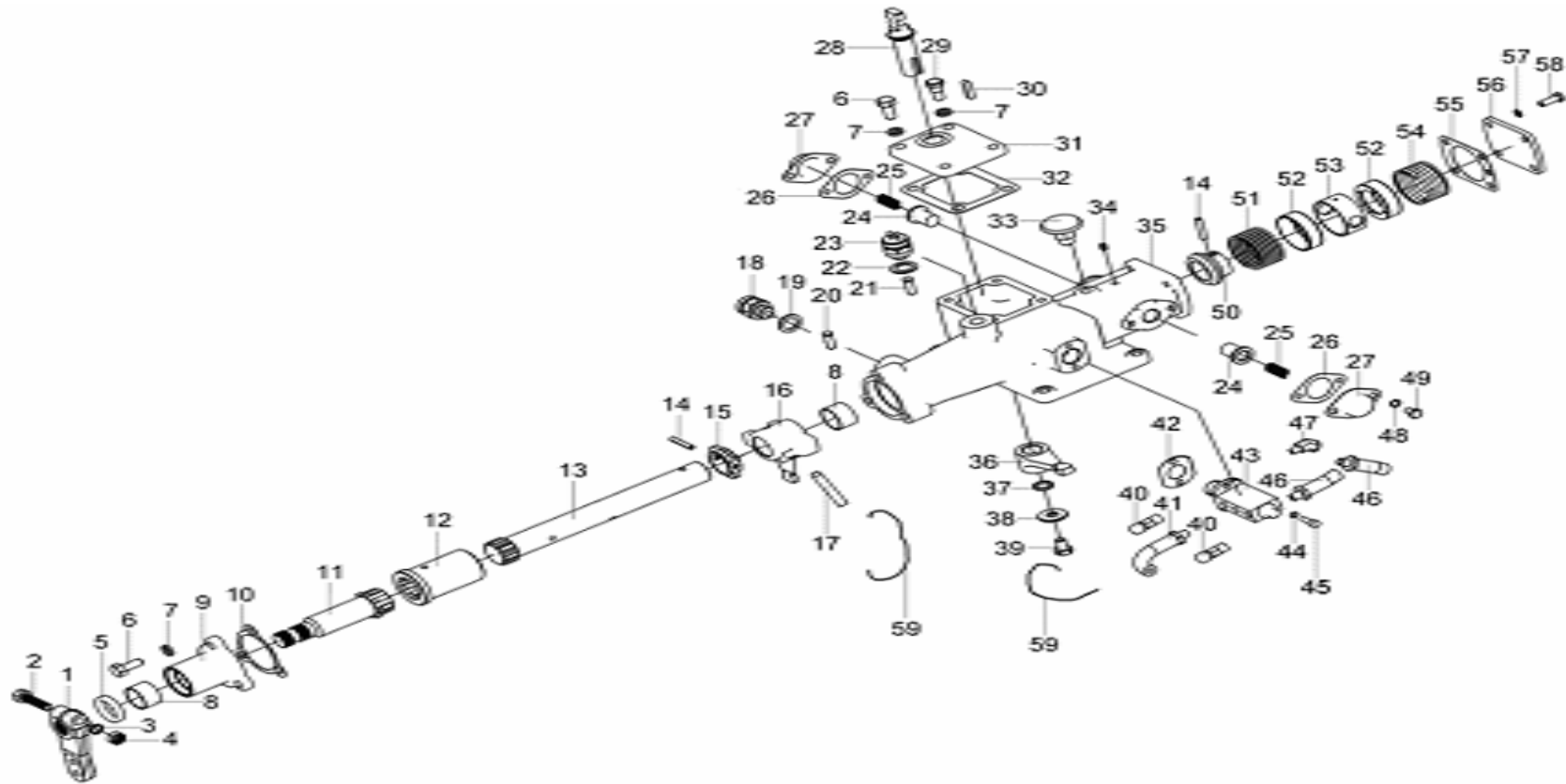
17-V



序号 No.	件号 Part No.	数量 Quantity	名称 Name	规格 Specification	适用产品 Products Applied	备注 Remark
15	F99681	1	低倒档开关控制块 Low Reverse Switch Control Block			
16	F99585-1	1	拨头 Switch			
17	C03030	1	圆柱销 Cylindrical Pin			
18	990.12.71.0041	1	压力开关 Pressure Switch			空档 Neutral
19	Q72318T5	1	垫密封圈 Seal Washer			
20	F99702-1	1	空档开关柱销 Neutral Switch Pin			
21	15899	1	开关启动销 Switch Starting Pin			
22	C03015	1	垫密封圈 Seal Washer			
23	791.00.71.0068	1	压力开关 Pressure Switch			倒档 Reverse
24	F99670	2	定位柱塞 Locating Plunger			
25	F96037-1	2	压缩弹簧 Compression Spring			
26	F96140	2	衬垫 Gasket			
27	F96141	2	弹簧压盖 Spring Gland			
28	C03038-1	1	选档接头 Shifting Connector			

9JS119 变速器操纵装置总成 9JS119 TRANSMISSION CONTROL ASSEMBLY

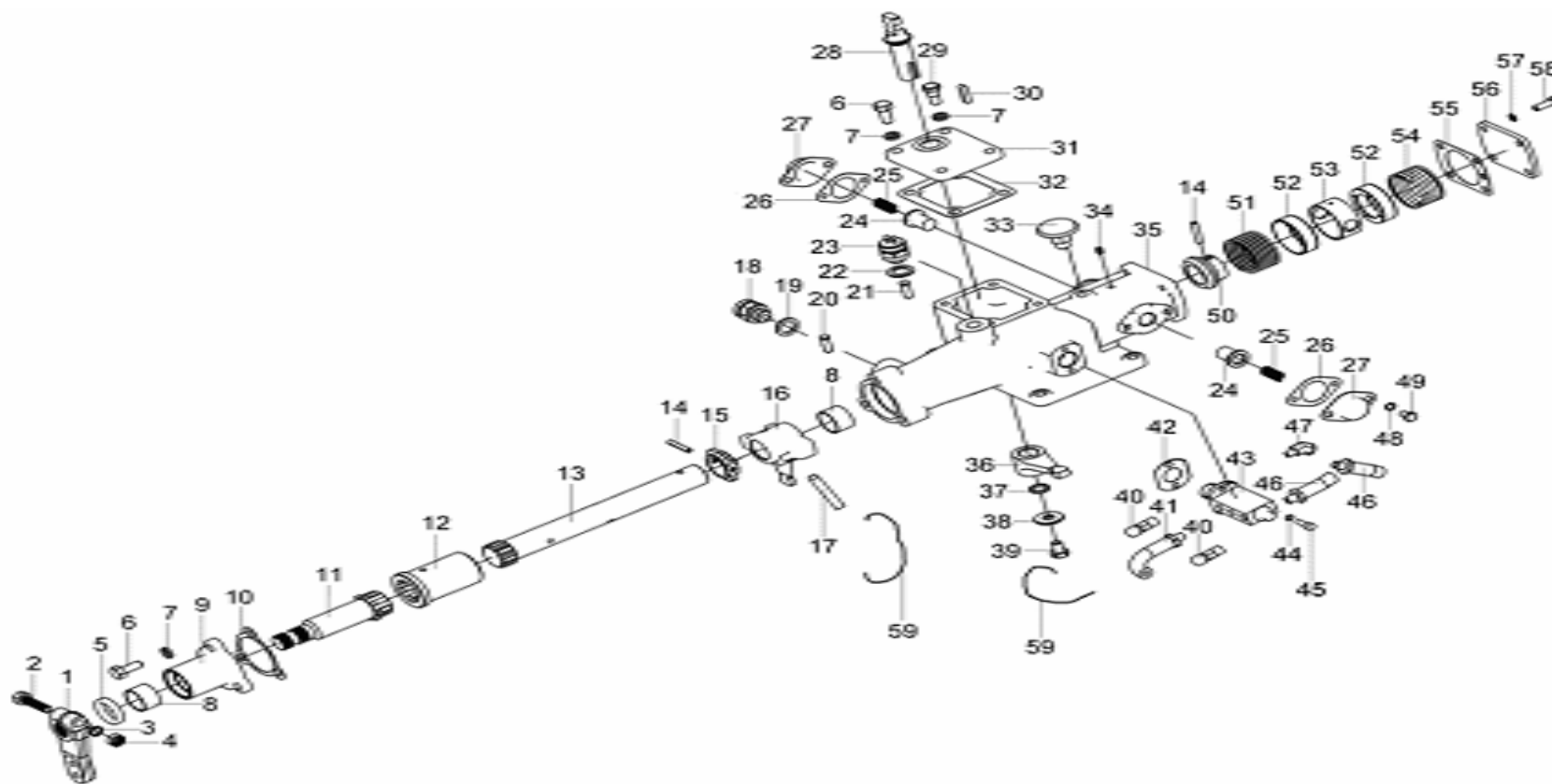
17-V



序号 No.	件号 Part No.	数量 Quantity	名称 Name	规格 Specification	适用产品 Products Applied	备注 Remark
29	C03040-1	2	定位螺钉 Locating Screw			
30	Q5510628	1	平键 Flat Key			
31	C03036-1	1	窗口盖 Hole Cover			
32	C03037-1	1	窗口衬垫 Hole Gasket			
33	15276	1	通气塞 Ventilation Plug			
34	C03004	1	止动螺钉 Check Screw			
35	F96194-6	1	双 H 操纵装置壳体 Double H Control Case			
36	C03035-1	1	选档拨头 Shifting Switch			
37	HG4-333-66	1	O 型密封圈 O-Seal Ring	20×2.4		
38	C03039-1	1	垫圈 Washer			
39	Q170B1016	1	六角头头部带孔螺栓 Hexagon Head Bolt With Hole			
40	7935	2	通气塞 Ventilation Plug			
41	55521	1	气管总成 Tube Assembly			
42	F91353	1	双 H 气阀衬垫 Double H Valve Gasket			

9JS119 变速器操纵装置总成 9JS119 TRANSMISSION CONTROL ASSEMBLY

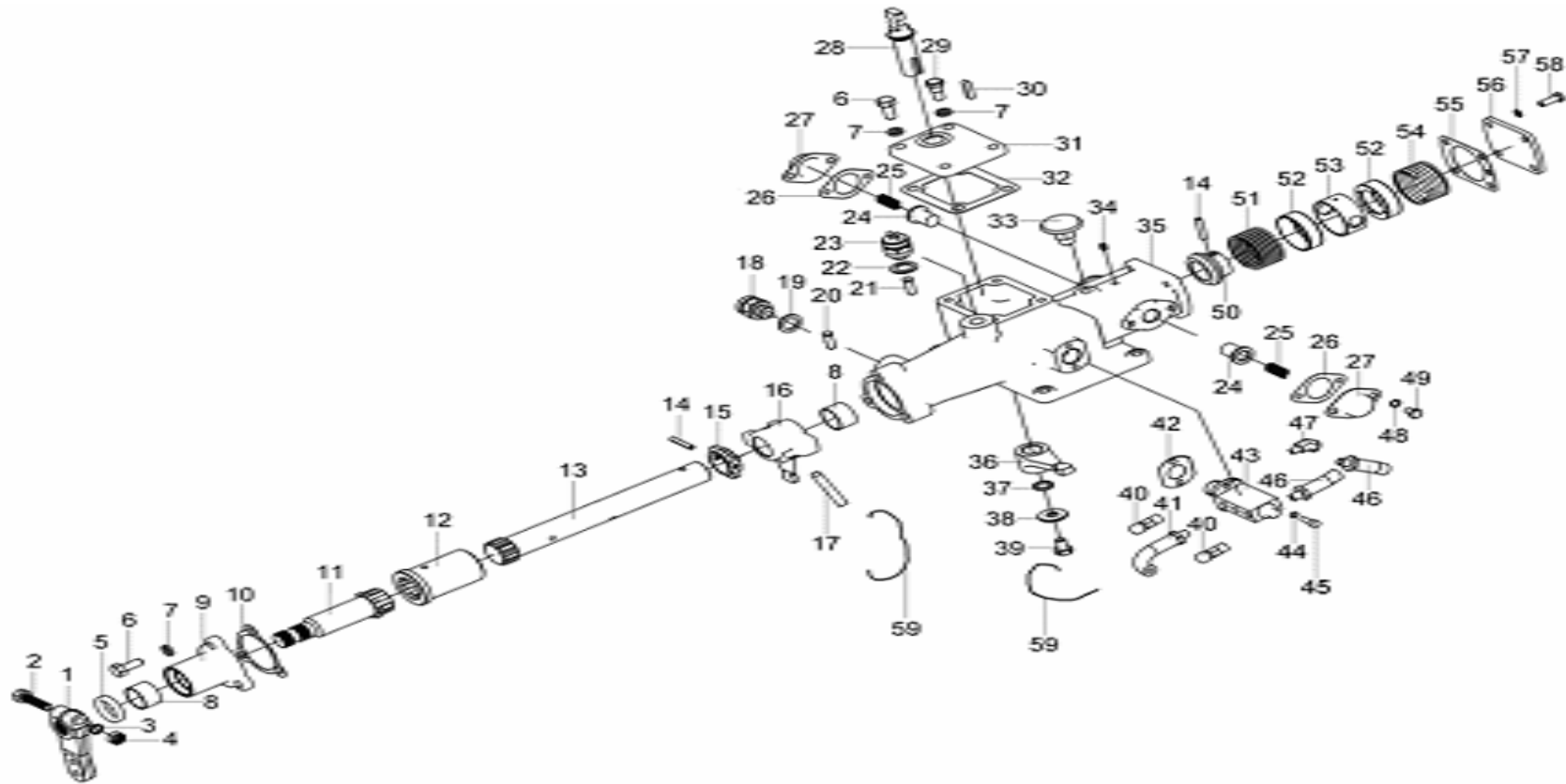
17-V



序号 No.	件号 Part No.	数量 Quantity	名称 Name	规格 Specification	适用产品 Products Applied	备注 Remark
43	F99660	1	双H气阀 Double H Valve			
44	GB93-76	2	弹簧垫圈 Spring Washer	6		
45	GB70-76	2	内六角螺钉 Hexagon Socket Screw	M6X18		
46	55506	2	气管总成 Tube Assembly			
47	12880	1	45°弯管接头 45°Elbow Connector			
48	GB859-76	4	弹簧垫圈 Spring Washer	8		
49	GB21-76	4	小六角头螺栓 Small Hexagon Head Bolt	M6×18		
50	F99675	1	定位环 Locating Ring			
51	F96036-1	1	压缩弹簧 Compression Spring			
52	F99673	2	弹簧座 Spring Seat			
53	F99674	1	弹簧隔套 Spring Spacing Sleeve			
54	F99983	1	压缩弹簧 Compression Spring			
55	F99672	1	端垫 End Washer			
56	F99666	1	侧板 Side Panel			

9JS119 变速器操纵装置总成 9JS119 TRANSMISSION CONTROL ASSEMBLY

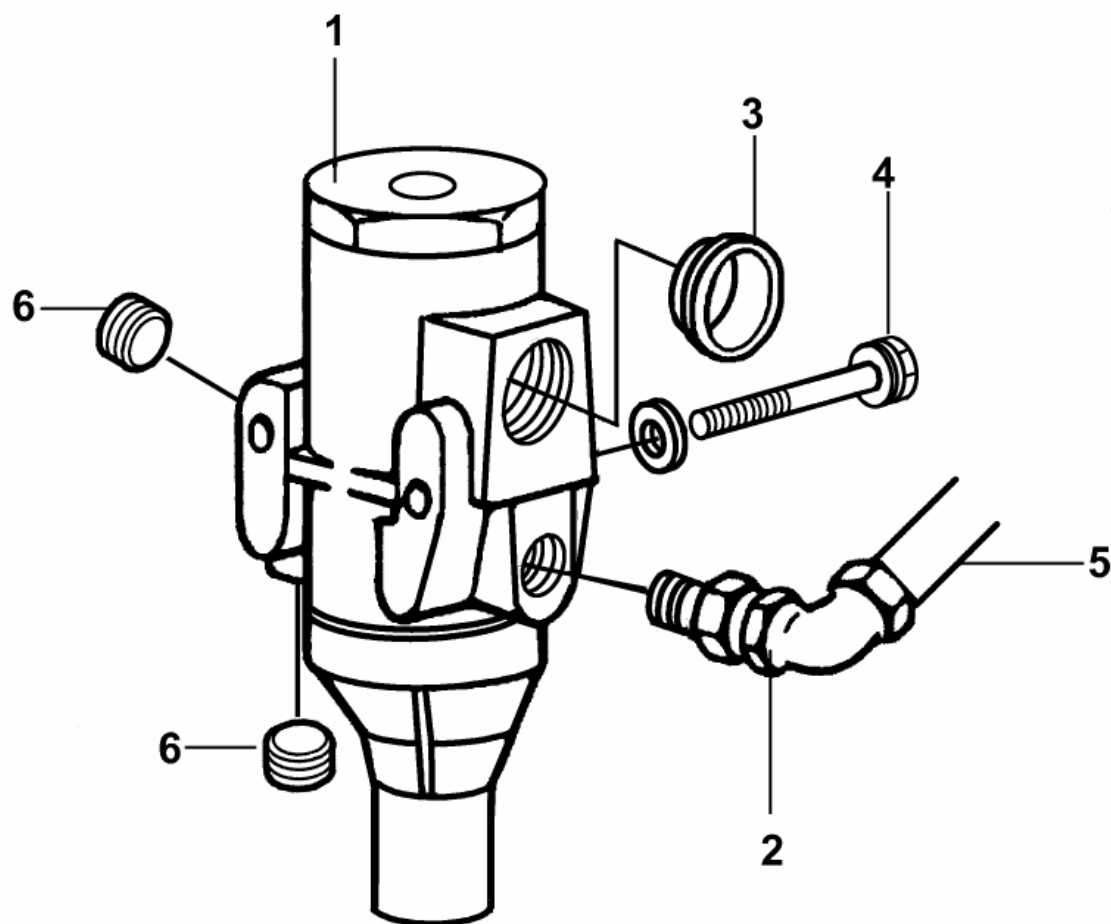
17-V



序号 No.	件号 Part No.	数量 Quantity	名称 Name	规格 Specification	适用产品 Products Applied	备注 Remark
57	GB93-76	4	弹簧垫圈 Spring Washer	8		
58	GB21-76	4	小六角头螺栓 Small Hexagon Head Bolt	M8×22		
59	1819	按需 On-Demand	铁丝 Iron Wire	Φ1.2		

9JS119 变速器空气滤清调节器总成
9JS119 TRANSMISSION AIR FILTER REGULATOR ASSEMBLY

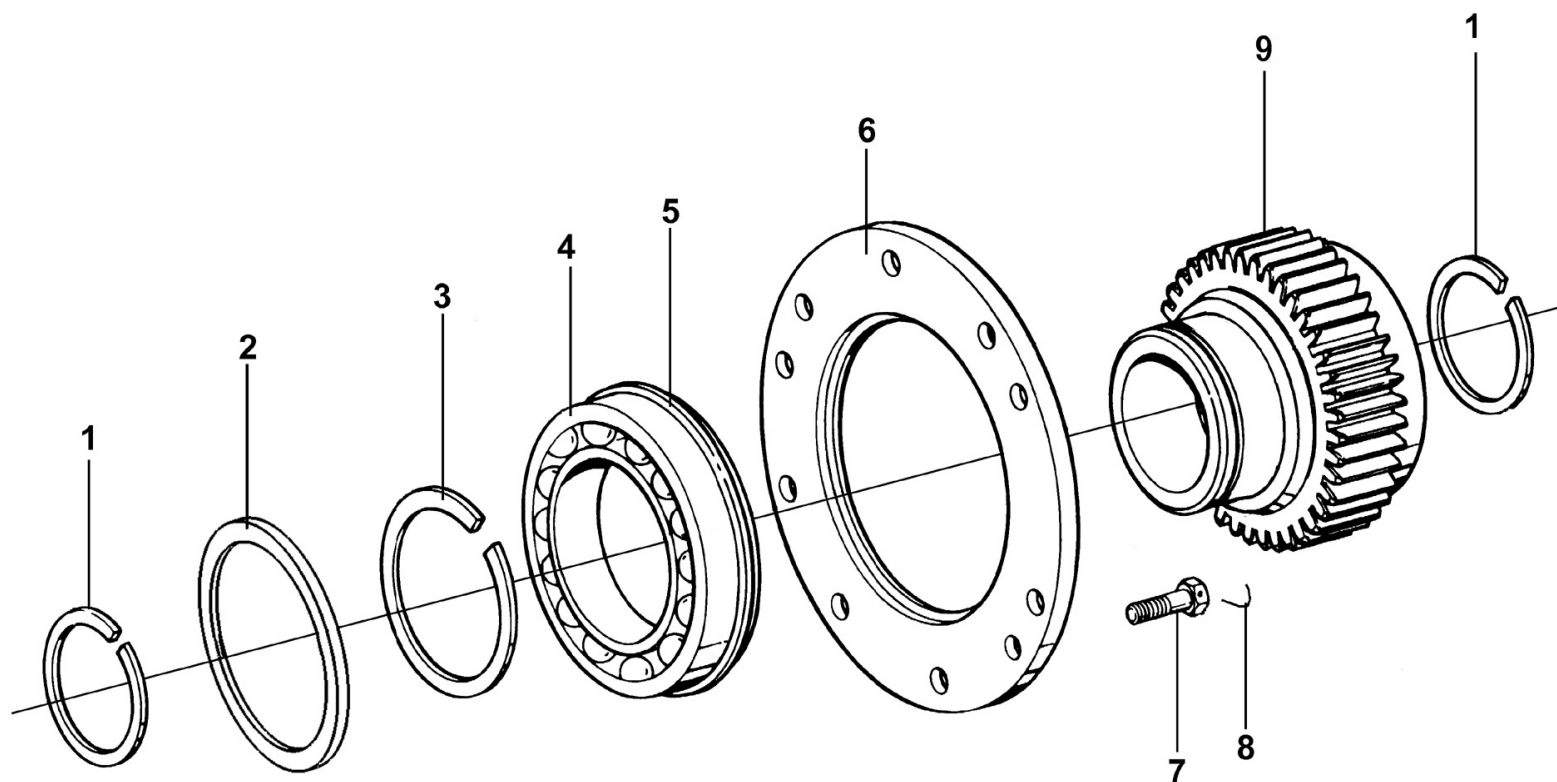
17-W



序号 No.	件号 Part No.	数量 Quantity	名称 Name	规格 Specification	适用产品 Products Applied	备注 Remark
1	A-4740	1	空气滤清调节器 Air Filter Regulator			
2	12845	1	90° 弯管接头 90° Elbow Connector			
3	54015	1	CA 碗形塞片 CA Bowl Hollow Plug			
4	GB30-76	2	六角头螺栓 Hexagon Head Bolt	M6×60		
5	55518	1	气管总成 Tube Assembly			
6	Q618B01	2	六角头锥形螺塞 Hexagon Tapered Screw Plug			

9JS119 变速器副箱驱动齿轮总成
9JS119 TRANSMISSION ADDITIONAL GEARBOX DRIVE GEAR ASSEMBLY

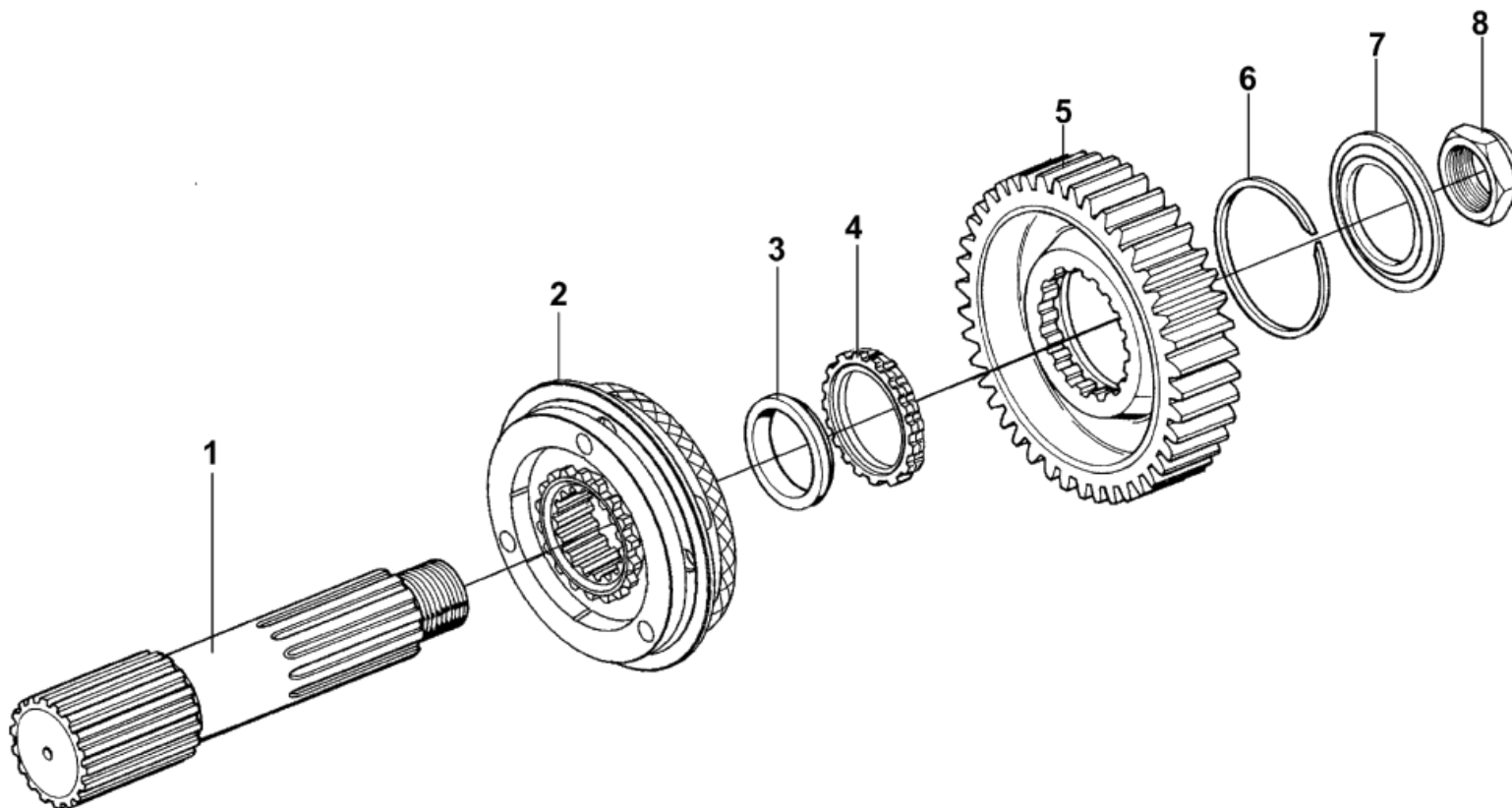
17-X



序号 No.	件号 Part No.	数量 Quantity	名称 Name	规格 Specification	适用产品 Products Applied	备注 Remark
1	16763	2	止动环 Stop Ring			
2	C01033	1	挡圈固定环 Retainer Fixing Ring			
3	16628	1	止动环 Stop Ring			
4	50118	1	带止动槽的单列向心球轴承 Single-Row Radial Ball Bearings With Stop Groove			
5	C01019	1	止动环 Stop Ring			
6	16138	1	副箱轴承定位盘 Additional Gearbox Bearing Locating Plate			
7	GB25-76	6	小六角头头部带孔螺栓 Small Hexagon Head Bolt With Hole	M10×22		
8	1819	按需 On-Demand	铁丝 Iron Wire			
9	JS119-1707030	1	副箱驱动齿轮 Additional Gearbox Drive Gear			

9JS119 变速器副箱主轴总成
9JS119 TRANSMISSION ADDITIONAL GEARBOX MAIN SPINDLE ASSEMBLY

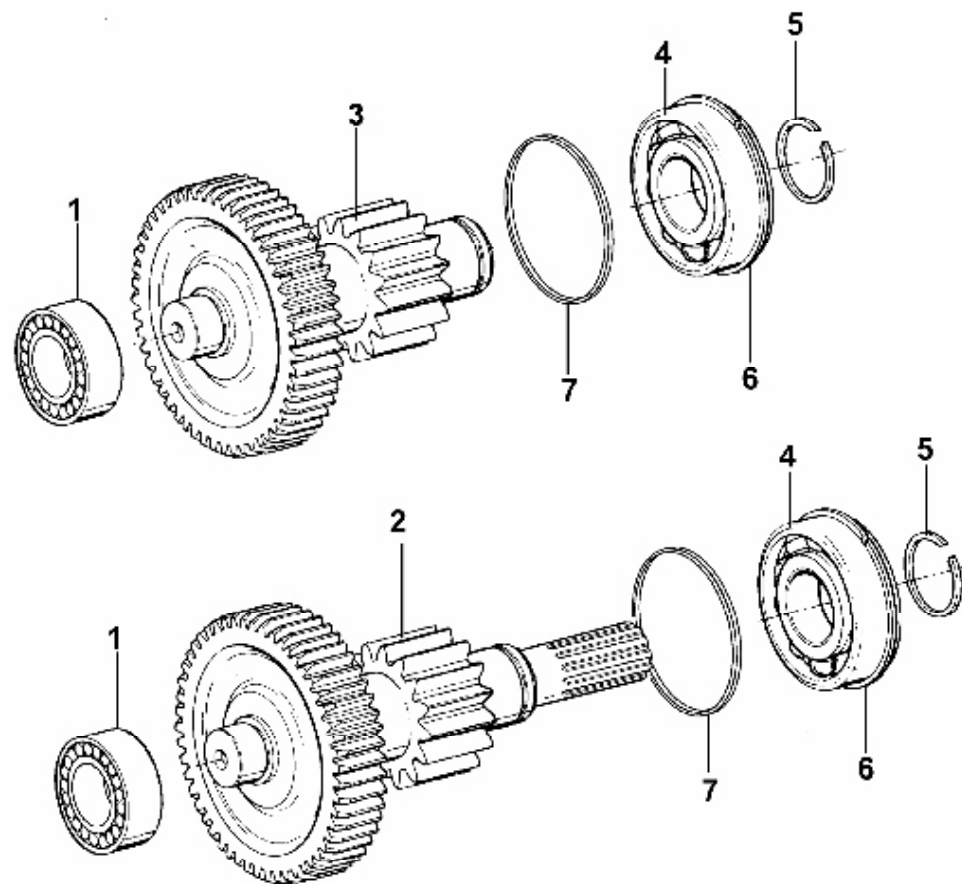
17-Y



序号 No.	件号 Part No.	数量 Quantity	名称 Name	规格 Specification	适用产品 Products Applied	备注 Remark
1	F99882	1	副箱主轴 Additional Gearbox Main Spindle			
2	A-C09005	1	高低档同步器总成 High And Low Gear Synchronizer Assembly			
3	14332	1	副箱主轴垫圈 Additional Gearbox Main Spindle Washer			
4	14331	1	副箱主轴齿轮垫片 Additional Gearbox Main Spindle Gear Shim			
5	19726	1	副箱主轴减速齿轮 Additional Gearbox Main Spindle Reduction Gear			
6	14327	1	止动环 Stop Ring			
7	19466	1	副箱减速齿轮垫片 Additional Gearbox Reduction Gear Shim			
8	F96006	1	凸缘螺母 Flanged Nut			

9JS119 变速器副箱左右中间轴
9JS119 TRANSMISSION ADDITIONAL GEARBOX LEFT AND RIGHT
COUNTERSHAFT

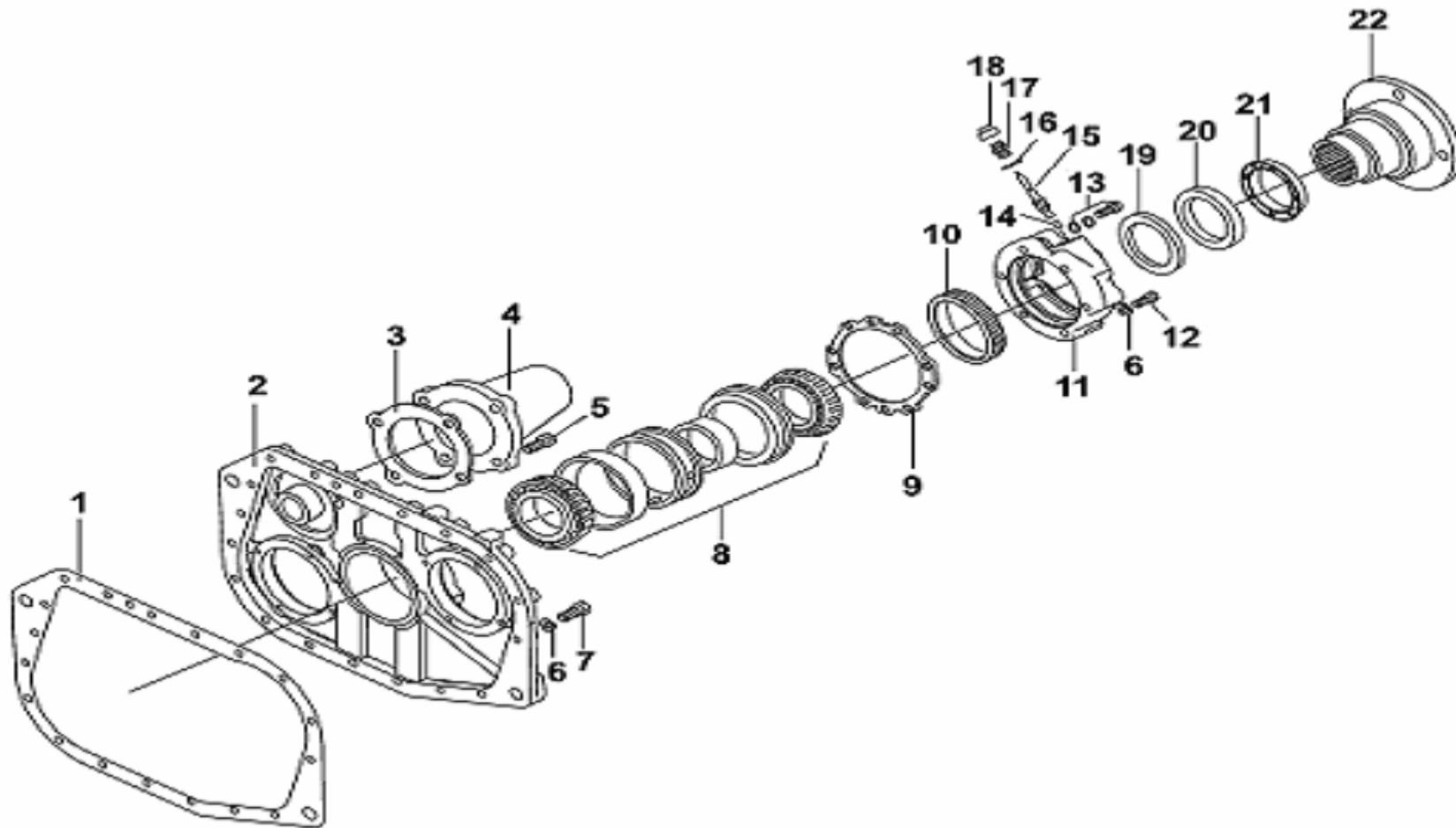
17-Z



序号 No.	件号 Part No.	数量 Quantity	名称 Name	规格 Specification	适用产品 Products Applied	备注 Remark
1	42307E	2	短圆柱滚子轴承 Short Cylindrical Roller Bearing			
2	JS119-1707047	1	副箱加长中间轴焊接总成 Additional Gearbox Extension Countershaft Welding Assembly			
3	JS119-1707050	1	副箱中间轴焊接总成 Additional Gearbox Countershaft Welding Assembly			
4	192310E	2	短圆柱滚子轴承 Short Cylindrical Roller Bearing			
5	16723	2	止动环 Stop Ring			
6	C01020	2	止动环 Stop Ring			
7	17384	2	轴承垫圈 Bearing Washer			

9JS119 变速器后盖总成 9JS119 TRANSMISSION REAR COVER ASSEMBLY

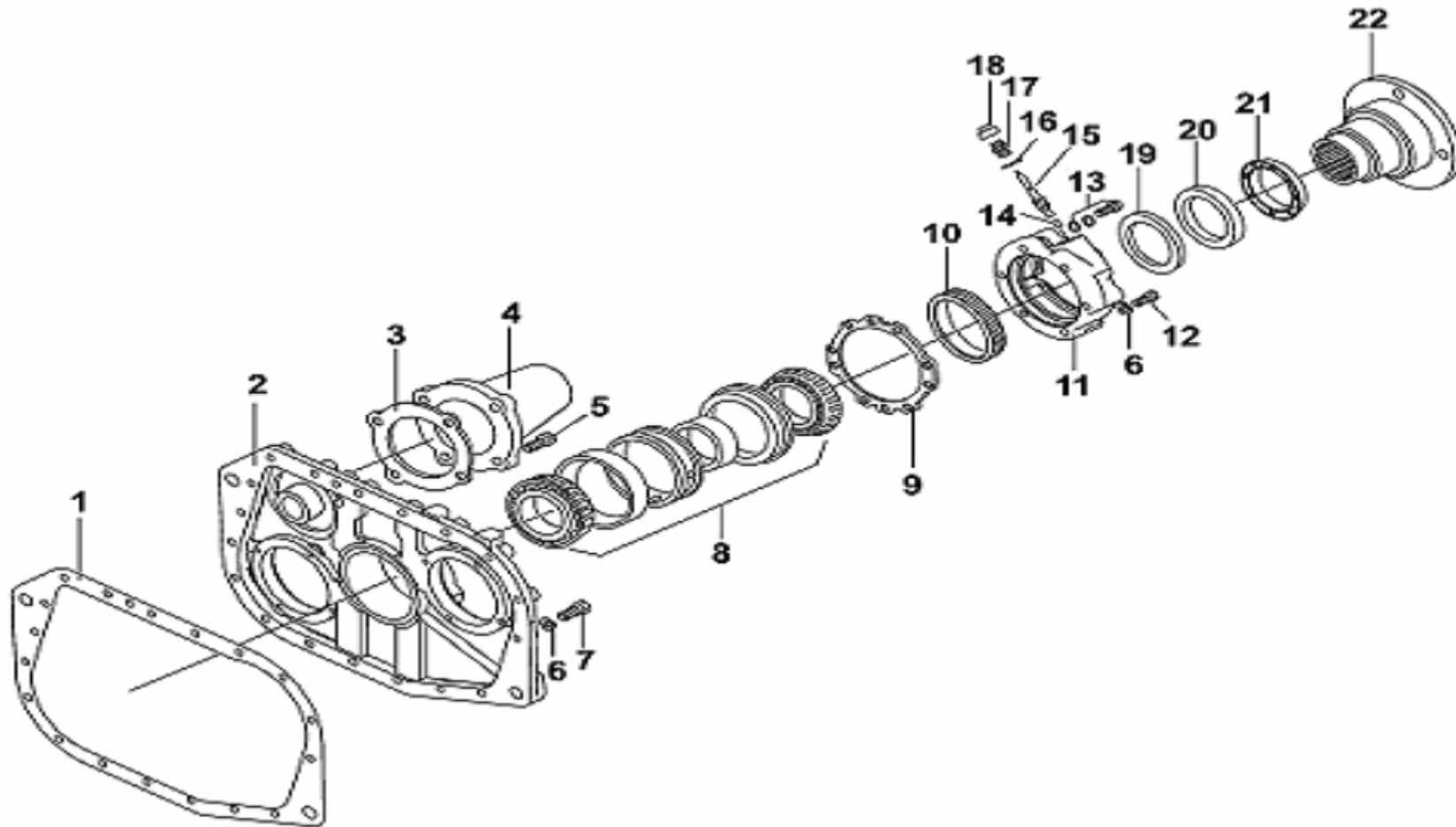
17-AA



序号 No.	件号 Part No.	数量 Quantity	名称 Name	规格 Specification	适用产品 Products Applied	备注 Remark
1	14335	1	后盖衬垫 Rear Cover Gasket			
2	F99975	1	后盖壳体 Rear Cover Case			
3	17352	1	副箱中间轴轴承盖衬垫 Additional Gearbox Countershaft Bearing Cover Gasket			
4	17376	2	加长中间轴轴承盖 Extension Countershaft Bearing Cover			
5	A-C09008	8	螺栓总成 Bolt Assembly			
6	GB93-76	22	弹簧垫圈 Spring Washer	10		
7	GB21-76	18	小六角头螺栓 Small Hexagon Head Bolt	M10		
8	717813	1	圆锥滚子轴承 Tapered Roller Bearing			
9	15532	1	副箱主轴后轴承盖衬垫 Additional Gearbox Main Spindle Rear Bearing Gasket			
10	LF28-3802033	1	里程表主动齿轮 Odometer Drive Gear			
11	F99967	1	输出轴后轴承盖 Output Shaft Rear Bering Cover			
12	GB21-76	5	小六角头螺栓 Small Hexagon Head Bolt	M10×75		
13	A-C09009	1	螺栓总成 Bolt Assembly			
14	7992	1	里程表被动齿轮轴套 Odometer Driven Gear Shaft Sleeve			

9JS119 变速器后盖总成 9JS119 TRANSMISSION REAR COVER ASSEMBLY

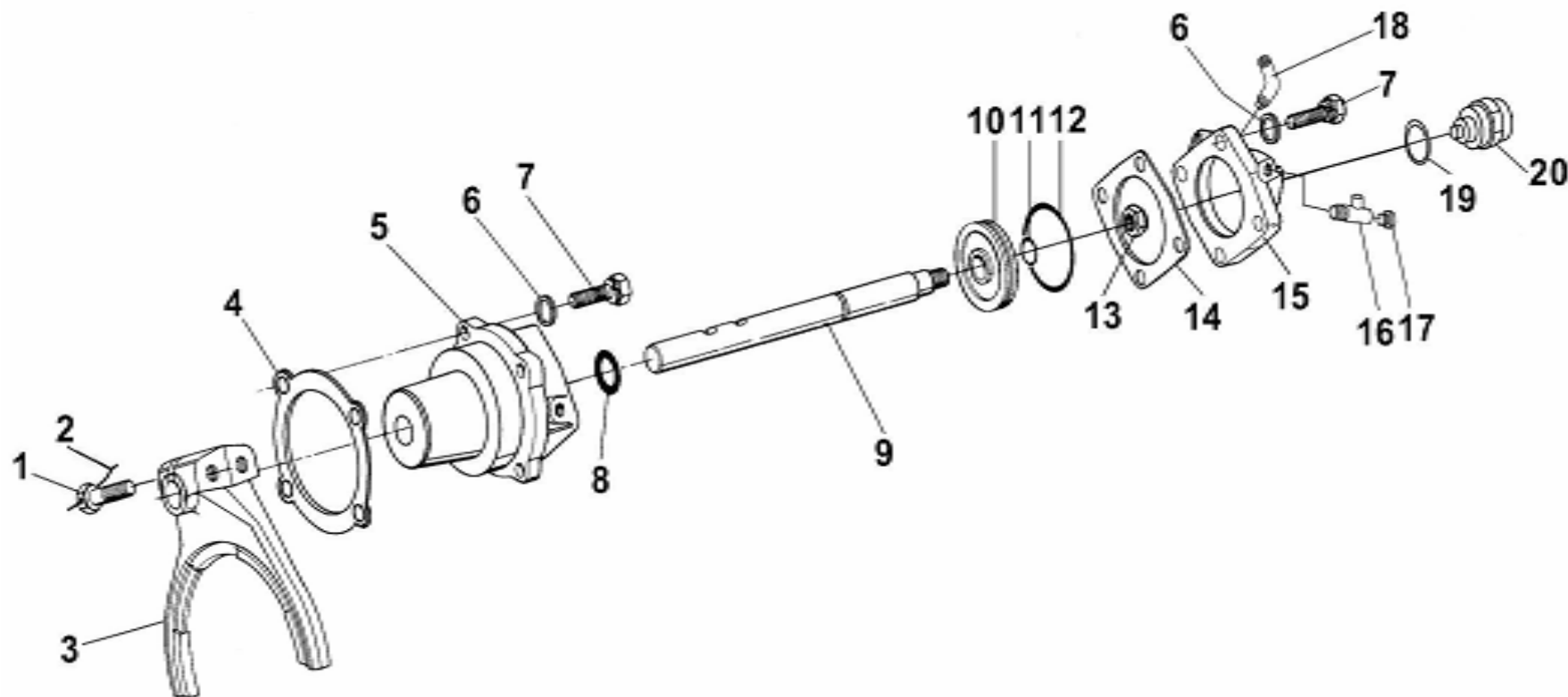
17-AA



序号 No.	件号 Part No.	数量 Quantity	名称 Name	规格 Specification	适用产品 Products Applied	备注 Remark
15	LF29-3802034	1	里程表被动齿轮 Odometer Driven Gear			
16	F96005	1	垫片 Shim			
17	F91005-1	1	里程表接头 Odometer Connector			
	HG4-333-66	1	O型圈 O-Ring	Φ12×1.9		
18	X11412	1	里程表防护套 Odometer Guard			
19	19109	1	油封 Oil Seal			
20	C01032	1	主轴后轴承盖油封 Main Spindle Rear Bearing Cover Oil Seal			
21	F96119	1	防尘罩 Dust Cover			
22	F99900-5	1	输出法兰盘 Output Flange			

9JS119 变速器副箱气缸总成
9JS119 TRANSMISSION ADDITIONAL GEARBOX CYLINDER ASSEMBLY

17-AB

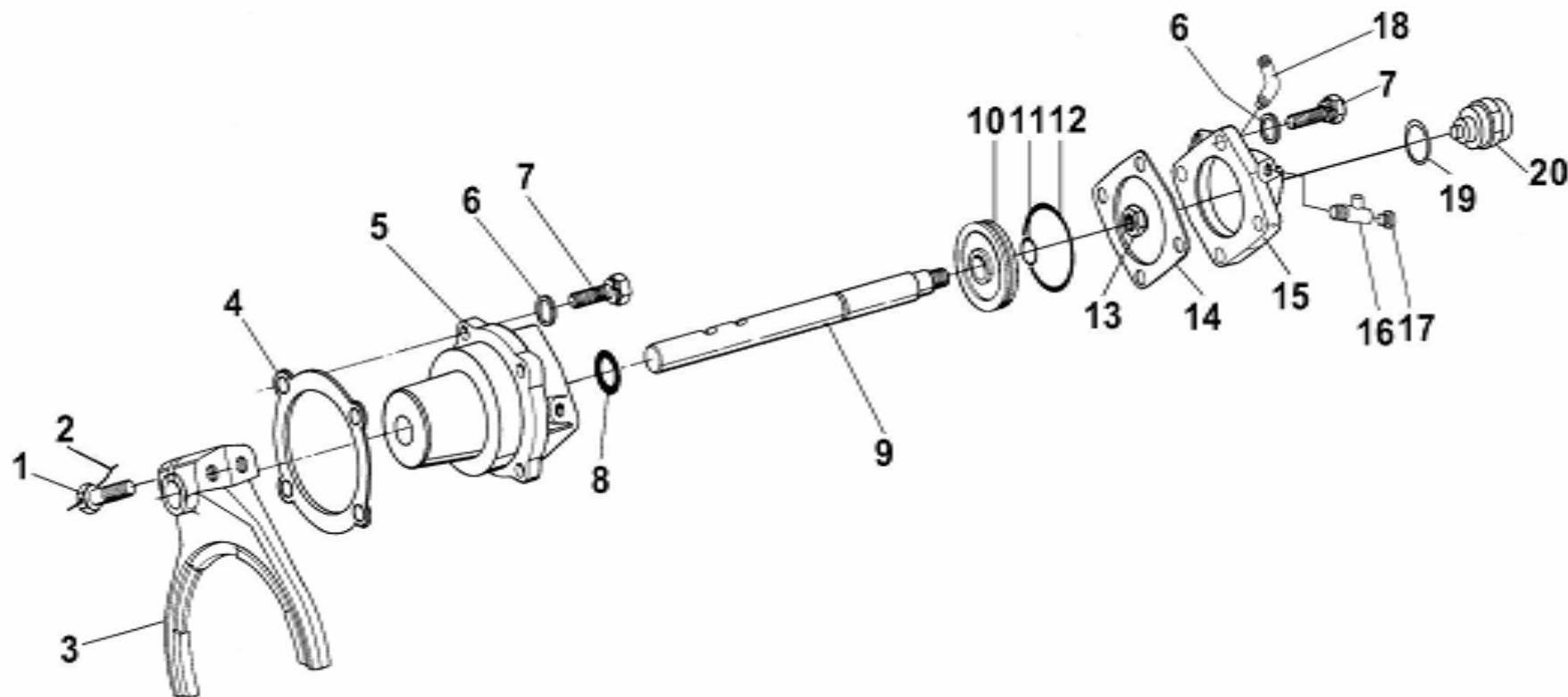


序号 No.	件号 Part No.	数量 Quantity	名称 Name	规格 Specification	适用产品 Products Applied	备注 Remark
1	GB25-76	2	小六角头头部带孔螺栓 Small Hexagon Head Bolt With Hole	M12×1.25×50		
2	1819	按需 On-Demand	铁丝 Iron Wire			
3	16775	1	副箱拨叉 Additional Gearbox Fork			
4	14347	1	密封垫 Gasket			
5	16778	1	范围档气缸 Range Shift Cylinder			
6	GB93-76	8	弹簧垫圈 Spring Washer	10		
7	GB21-76	8	小六角头螺栓 Small Hexagon Head Bolt	M10×32		
8	14765	1	O型密封圈 O-Seal Ring			
9	16993	1	范围档拨叉轴 Range Shift Fork Shaft			
10	14341	1	范围档气缸活塞 Range Shift Cylinder Piston			
11	14345	1	O型密封圈 O-Seal Ring			
12	14344	1	O型密封圈 O-Seal Ring			
13	GB890-80	1	六角尼龙圈锁紧薄螺母 Hexagon Nylon Ring Lock Thin Nut	M16×1.5		
14	14349	1	气缸盖密封垫 Cylinder Head Grommet			

9JS119 变速器副箱气缸总成

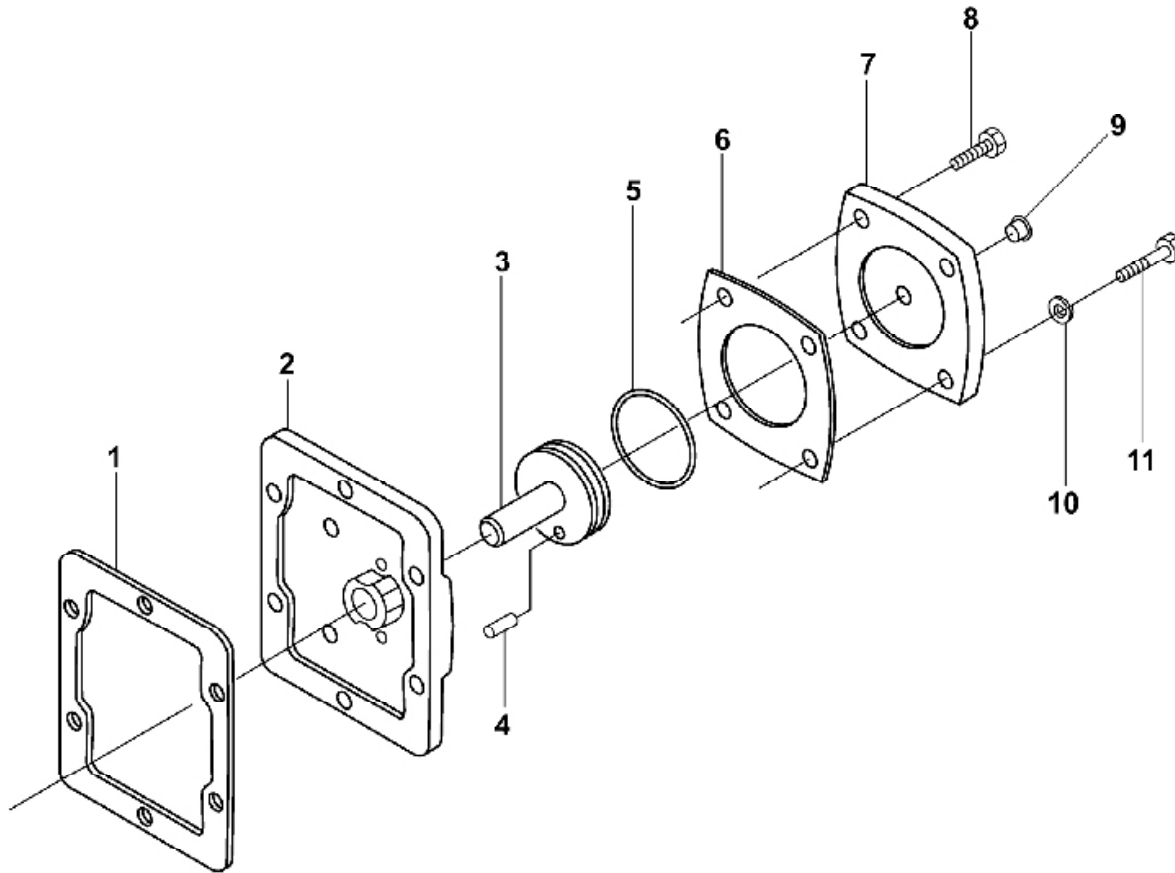
9JS119 TRANSMISSION ADDITIONAL GEARBOX CYLINDER ASSEMBLY

17-AB



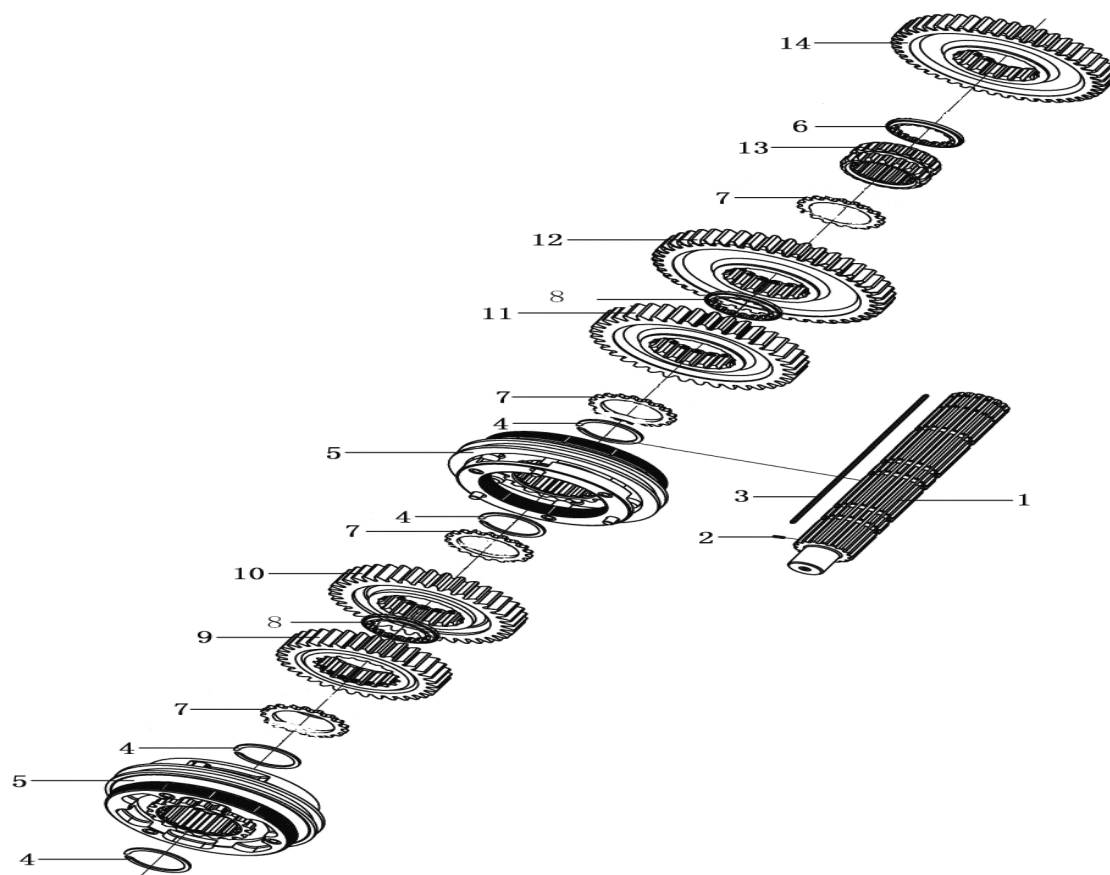
序号 No.	件号 Part No.	数量 Quantity	名称 Name	规格 Specification	适用产品 Products Applied	备注 Remark
15	F99857	1	副箱换挡气缸盖 Additional Gearbox Shift Cylinder Cover			
16	C03052	1	三通管接头 3-Way Tube Connector	NPT1/8		
17	Q618B01	1	方头锥形螺塞 Square Tapered Screw Plug	NPT1/8		
18	12845	1	90° 弯管接头 90° Elbow Connector			
19	X11511	4	褶皱铜垫圈 Corrugated Copper Washer			
20	791.00.71.0069	1	压力开关 Pressure Switch			

9JS119 变速器中间轴制动器总成 9JS119 TRANSMISSION COUNTERSHAFT BRAKE ASSEMBLY

17-AC

序号 No.	件号 Part No.	数量 Quantity	名称 Name	规格 Specification	适用产品 Products Applied	备注 Remark
1	1684	1	衬垫 Gasket			
2	16656	1	中间轴制动器壳 Countershaft Brake Cap			
3	16658	1	中间轴制动器活塞 Countershaft Brake Piston			
4	GB879-76	1	弹性圆柱销 Spring Cylindrical Pin	6×16		
5	16660	1	O型密封圈 O-Seal Ring			
6	16661	1	中间轴制动器活塞盖衬垫 Countershaft Brake Piston Cover Gasket			
7	16659	1	中间轴制动器活塞盖 Countershaft Brake Piston Cover			
8	GB21-76	4	小六角头螺栓 Small Hexagon Head Bolt	M10×32		
9	54010	1	CA碗形塞片 CA Bowl Hollow Plug			
10	GB93-76	6	弹簧垫圈 Spring Washer	10		
11	GB21-76	2	小六角头螺栓 Small Hexagon Head Bolt	M10×55		

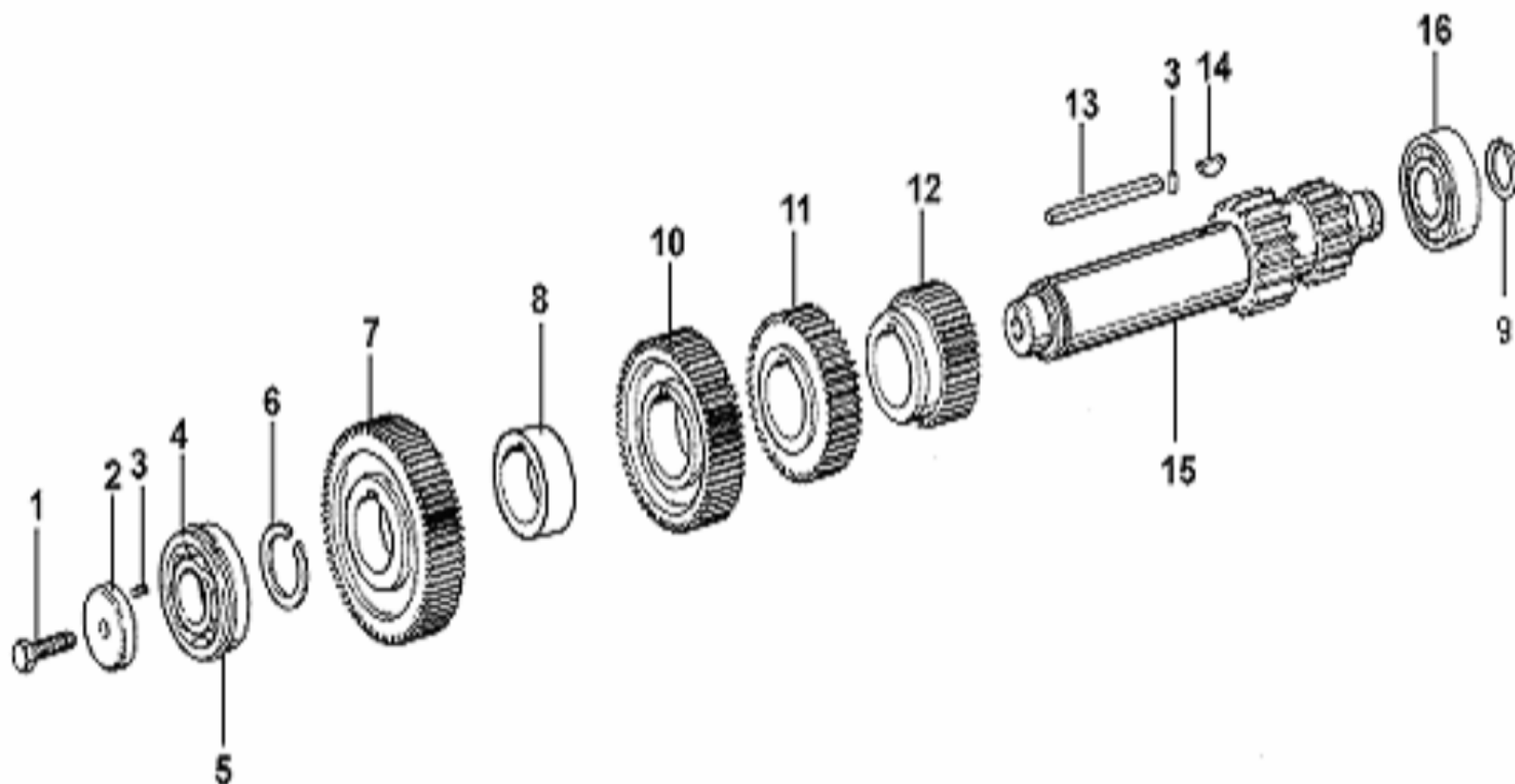
9JS150T-B 变速器二轴总成 9JS150T-B TRANSMISSION NO.2 SHAFT ASSEMBLY

17-AD

序号 No.	件号 Part No.	数量 Quantity	名称 Name	规格 Specification	适用产品 Products Applied	备注 Remark
1	JS150T-1701105B	1	二轴 No.2 Shaft			
2	Q5280310	1	弹性圆柱销 3×10 Spring Cylindrical Pin 3×10			
3	JS150T-1701121B	1	二轴六角键 No.2 Shaft Hex Key			
4	16763	4	止动环 Stop Ring			
5	JS130T-1701180	2	三四档同步器总成 3rd And 4th Gear Synchronizer Assembly			
6	12JS160T-1701125	1	二轴倒档齿轮垫片 No.2 Shaft Reverse Gear Shim			
7	12JS160T-1701122	4	二轴齿轮花键垫片 No.2 Shaft Gear Spline Shim			
8	12JS160T-1701123	2	二轴齿轮隔垫 Gear Spacer			
9	JS150T-1701113B	1	二轴三档齿轮 No.2 Shaft 3rd Gear			
10	JS150T-1701112B	1	二轴二档齿轮 No.2 Shaft 2nd Gear			
11	JS150T-1701111B	1	二轴一档齿轮 No.2 Shaft 1st Gear			
12	JS150T-1701110B	1	二轴低档齿轮 No.2 Shaft Low Gear			
13	JS150T-1701108	1	低倒档滑套 Low Reverse Sliding Bush			
14	JS150T-1701109B	1	二轴倒档齿轮 No.2 Shaft Reverse Gear			

9JS150T-B 变速器左右中间轴总成
9JS150T-B TRANSMISSION LEFT AND RIGHT COUNTERSHAFT ASSEMBLY

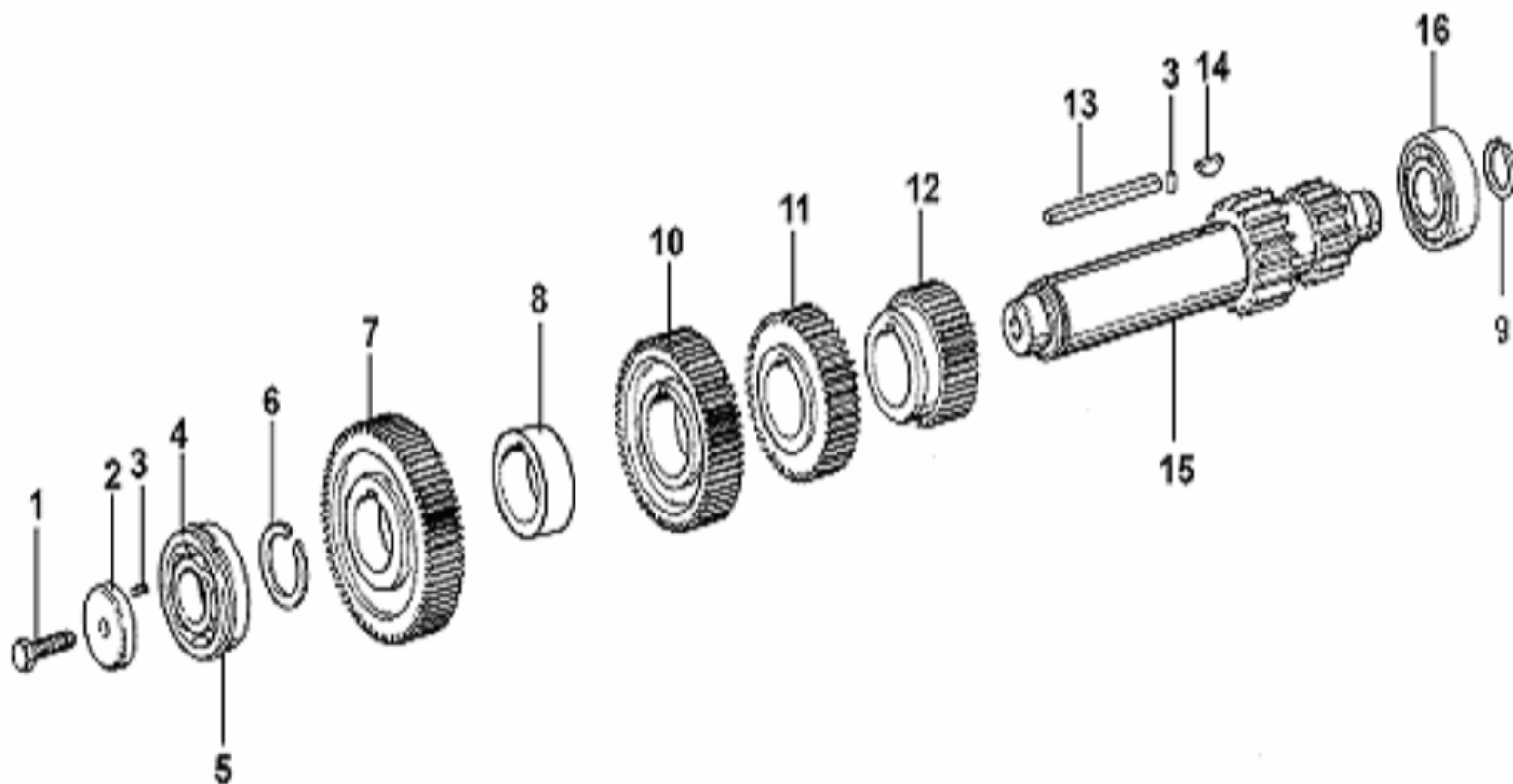
17-AE



序号 No.	件号 Part No.	数量 Quantity	名称 Name	规格 Specification	适用产品 Products Applied	备注 Remark
1	GB5785-86	2	六角头螺栓 M16×1.5×45 Hexagon Head Bolt M16×1.5×45			
2	19668	2	中间轴轴承档板 Countershaft Bearing Plate			
3	Q5280514	4	弹性圆柱销 5×14 Spring Cylindrical Pin 5×14			
4	370309Y	2	单列向心球轴承 Single-Row Radial Ball Bearing			
5	C01021	2	止动环 Stop Ring			
6	19198	2	中间轴止动环 Countershaft Stop Ring			
7	JS180T-1701056B	2	中间轴传动齿轮 Countershaft Drive Gear			
8	JS150T-1701055B	2	隔套 Spacing Sleeve			
9	14317	2	止动环 Stop Ring			
10	JS180T-1701051B	2	中间轴三档齿轮 Countershaft 3rd Gear			
11	JS150T-1701050B	2	中间轴二档齿轮 Countershaft 2nd Gear			
12	JS150T-1701049B	2	中间轴一档齿轮 Countershaft 1st Gear			
13	19673	2	中间轴四方键 Countershaft Square Key			
14	X-6-E	2	半圆键 Woodruff Key			

9JS150T-B 变速器左右中间轴总成
9JS150T-B TRANSMISSION LEFT AND RIGHT COUNTERSHAFT ASSEMBLY

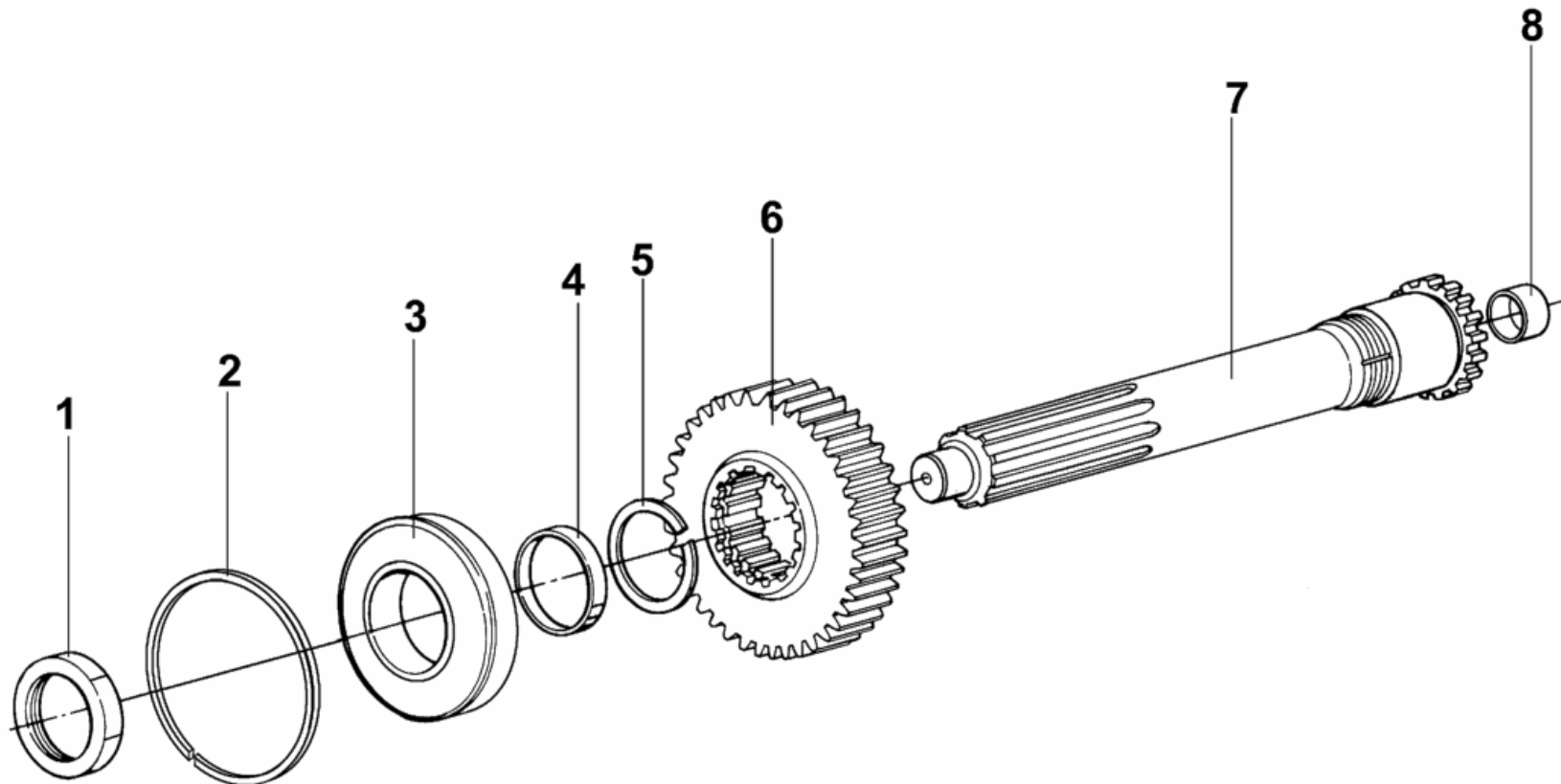
17-AE



序号 No.	件号 Part No.	数量 Quantity	名称 Name	规格 Specification	适用产品 Products Applied	备注 Remark
15	JS150T-1701048B	2	中间轴 Countershaft			
16	102308E	2	短圆柱滚子轴承 Short Cylindrical Roller Bearing			

9JS150T-B 变速器一轴总成
9JS150T-B TRANSMISSION NO.1 SHAFT ASSEMBLY

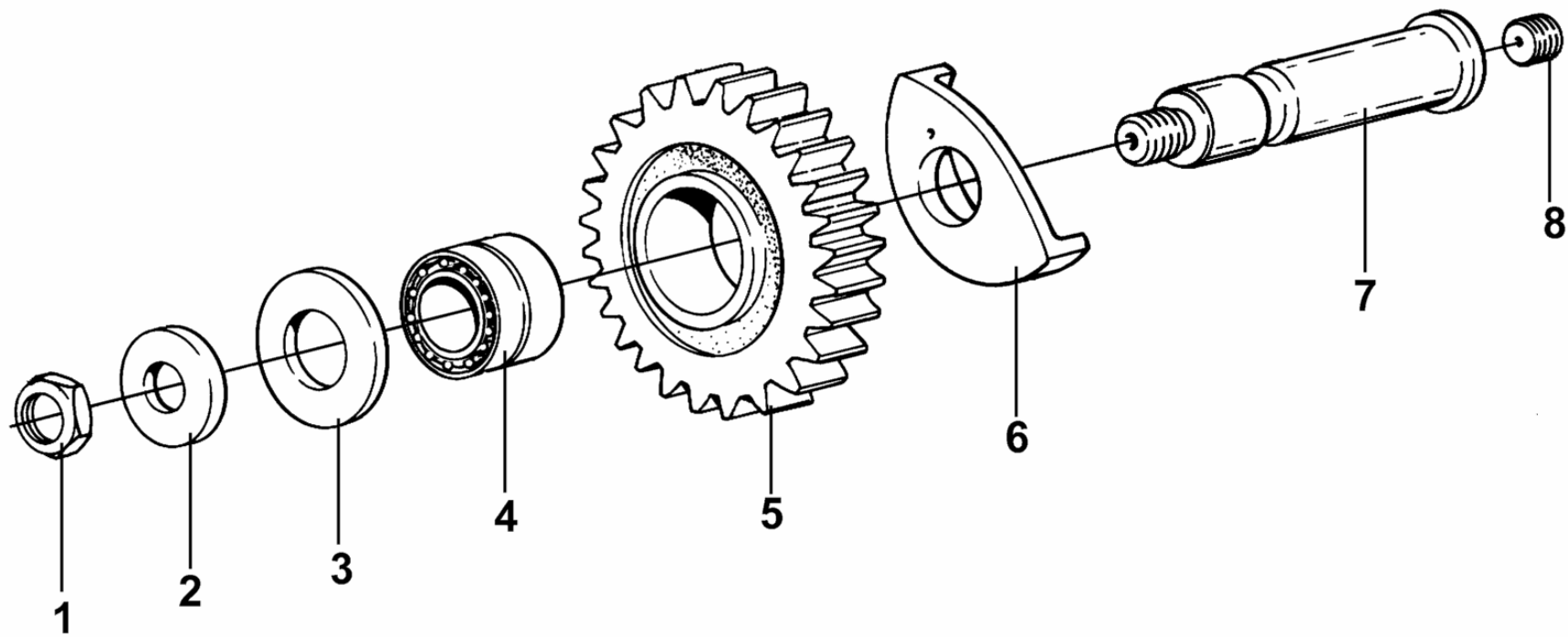
17-AF



序号 No.	件号 Part No.	数量 Quantity	名称 Name	规格 Specification	适用产品 Products Applied	备注 Remark
1	JS180A-1701036	1	一轴螺母 No.1 Shaft Nut			
2	C01020	1	止动环 Stop Ring			
3	150212K	1	一面带止动槽和防尘盖的单列向心球轴承 Single-Row Radial Ball Bearing On One Side With Stop Groove And Dust Cover			
4	16463	1	齿轮隔垫 Gear Spacer			
5	14750	1	止动环 Stop Ring			
6	JS150T-1701030B	1	一轴齿轮 No.1 Shaft Gear			
7	JS180A-1701030	1	一轴 No.1 Shaft			
8	16566	1	二轴导套 No.2 Shaft Guide Bush			

9JS150T-B 变速器倒挡中间轴总成
9JS150T-B TRANSMISSION REVERSE COUNTERSHAFT ASSEMBLY

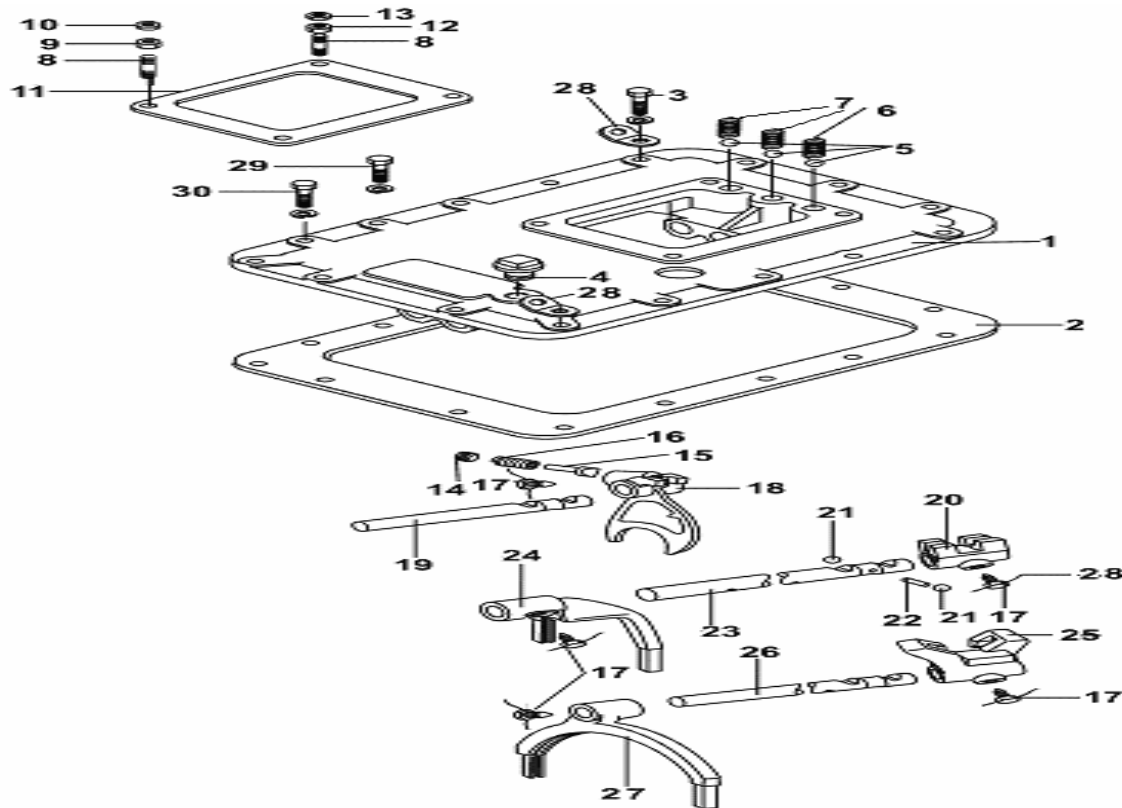
17-AG



序号 No.	件号 Part No.	数量 Quantity	名称 Name	规格 Specification	适用产品 Products Applied	备注 Remark
1	GB890-80	2	六角尼龙圈螺母 M16×1.5 Hexagon Nylon Ring Nut M16×1.5			
2	14283	2	倒档中间轴垫圈 Reverse Shaft Washer			
3	14282	2	倒档止推垫圈 Reverse Gear Thrust Washer			
4	14287	2	滚针轴承 Needle Roller Bearing			
5	JS150T-1701083B	2	倒档中间齿轮 Reverse Idler Gear			
6	16403	2	杯形倒档垫圈 Cup Reverse Gear Washer			
7	16405	2	倒档中间轴 Reverse Countershaft			
8	Q2821212	2	平端紧定螺钉 M12×12 Flat Set Screws M12×12			

9JS150T-B 变速器上盖总成 9JS150T-B TRANSMISSION UPPER COVER ASSEMBLY

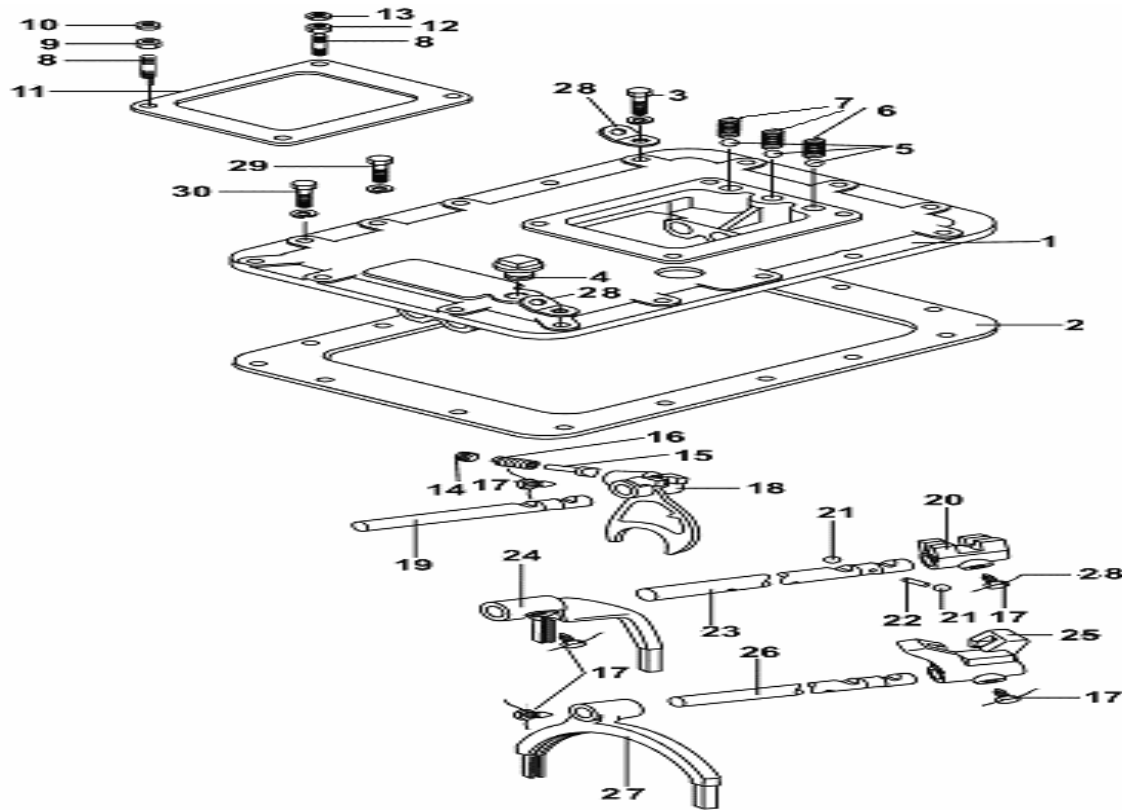
17-AH



序号 No.	件号 Part No.	数量 Quantity	名称 Name	规格 Specification	适用产品 Products Applied	备注 Remark
1	JS130T-1702015	1	上盖 Upper Cover			
2	14918	1	上盖衬垫 Upper Cover Gasket			
3	Q1421035	2	六角头螺栓 M10×35 Hexagon Head Bolt M10×35			
4	Q614B10	1	方头锥形螺塞 Square Tapered Screw Plug			
5	12.7G100BGB-T308	3	钢球 12.7 Steel Ball 12.7			
6	F96084	1	压缩弹簧 Compression Spring			
7	F96085	2	压缩弹簧 Compression Spring			
8	11066	4	双头螺栓 Stud Bolt			
9	X-1-603	2	六角螺母 Hexagon Nut			
10	Q351B10	2	六角薄螺母 Hexagon Thin Nut			
11	1642	1	操纵窗口衬垫 Shifting Hole Gasket			
12	Q361B10	2	I型六角螺母 Hexagon Full Nut			
13	Q40310	2	弹簧垫圈 Spring Washer			
14	8968	1	倒档锁螺塞 Reverse Lock Plug			

9JS150T-B 变速器上盖总成 9JS150T-B TRANSMISSION UPPER COVER ASSEMBLY

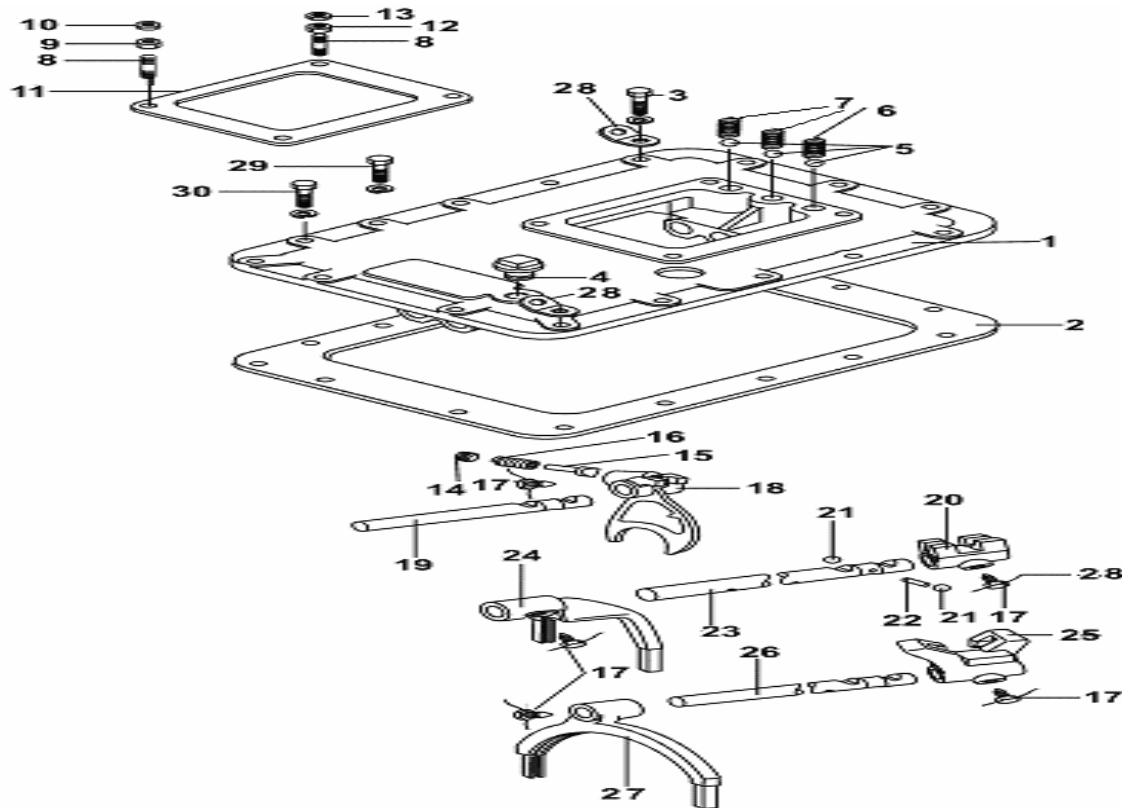
17-AH



序号 No.	件号 Part No.	数量 Quantity	名称 Name	规格 Specification	适用产品 Products Applied	备注 Remark
15	F99671	1	倒档锁柱塞 Reverse Lock Plunger			
16	8774-1	1	倒档锁弹簧 Reverse Lock Spring			
17	3220	5	换档拨叉锁止螺钉 Shift Fork Lock Screw			
18	JS150T-1702053B	1	低倒档拨叉总成 Low Reverse Fork Assembly			
19	JS150T-1702064	1	低倒档拨叉轴 Low Reverse Fork Shaft			
20	JS150T-1702052B	1	1/2 和 5/6 档导块 1st , 2nd Gear And 5th, 6th Gear Guide Block			
21	19.05G100BGB-T308	2	钢球 19.05 Steel Ball 19.05			
22	1634	1	拨叉轴联锁销 Fork Shaft Interlock Pin			
23	JS150T-1702065B	1	一二档拨叉轴 1st , 2nd Gear Fork Shaft			
24	JS150T-1702055B	1	一二档拨叉 1st , 2nd Gear Fork			
25	F99589	1	3/4 和 7/8 档导块 3rd, 4th Gear And 7th, 8th Gear Guidet Block			
26	JS150T-1702066B	1	三四档拨叉轴 3rd, 4th Gear Fork Shaf			
27	JS150T-1702056-1	1	三四档拨叉 3rd, 4th Gear Fork			
28	20815	2	起吊弯板 Bend Shackle			

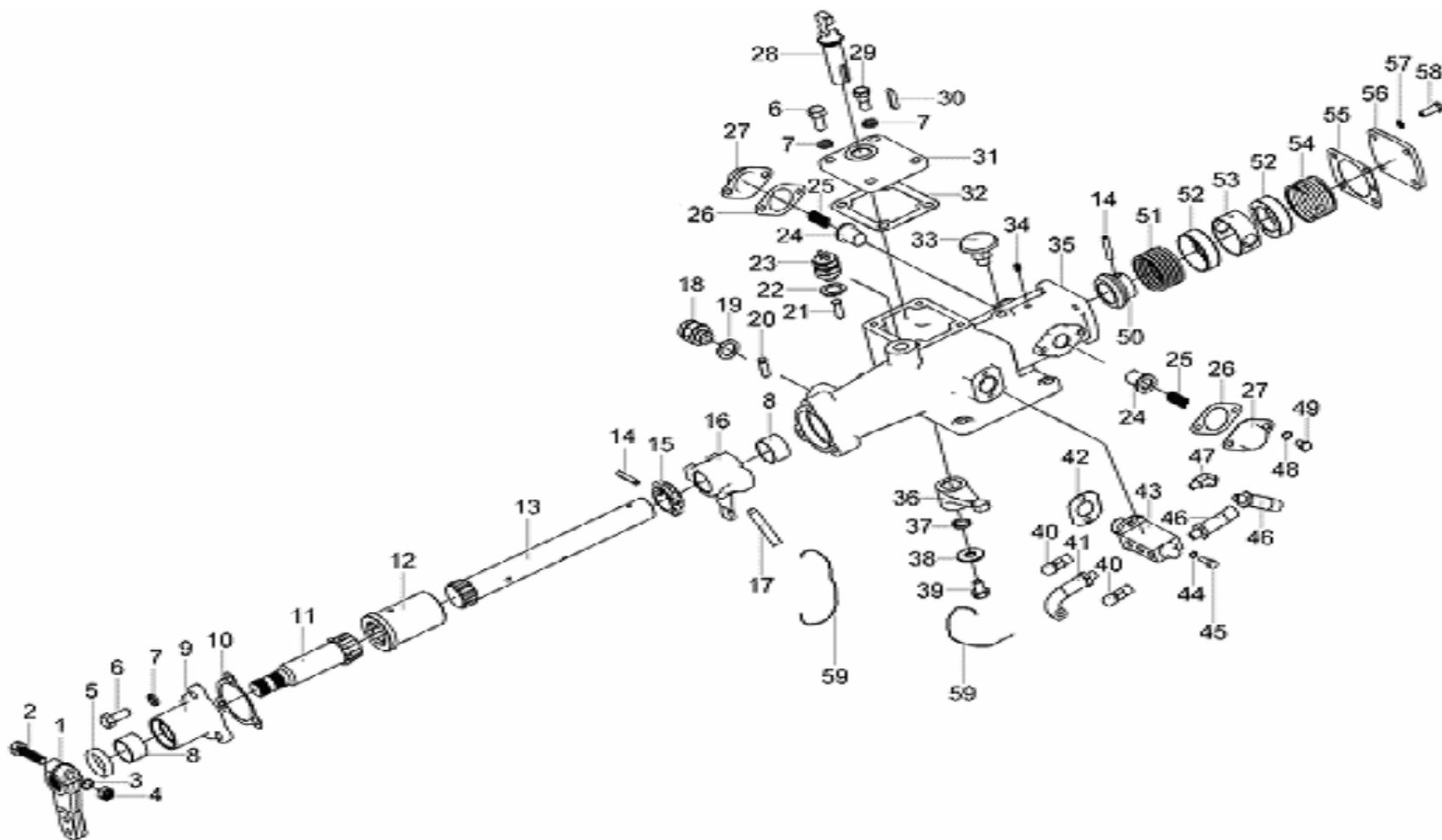
9JS150T-B 变速器上盖总成 9JS150T-B TRANSMISSION UPPER COVER ASSEMBLY

17-AH



序号 No.	件号 Part No.	数量 Quantity	名称 Name	规格 Specification	适用产品 Products Applied	备注 Remark
29	Q150B1032	12	六角头螺栓 M10×32 Hexagon Head Bolt M10×32			
	Q40310	14	弹簧垫圈 10 Spring Washer 10			
30	GB27-88-M10X32	2	六角头铰制孔用螺栓 M10×32 Hexagon Bolt For Reamed Hole M10×32			

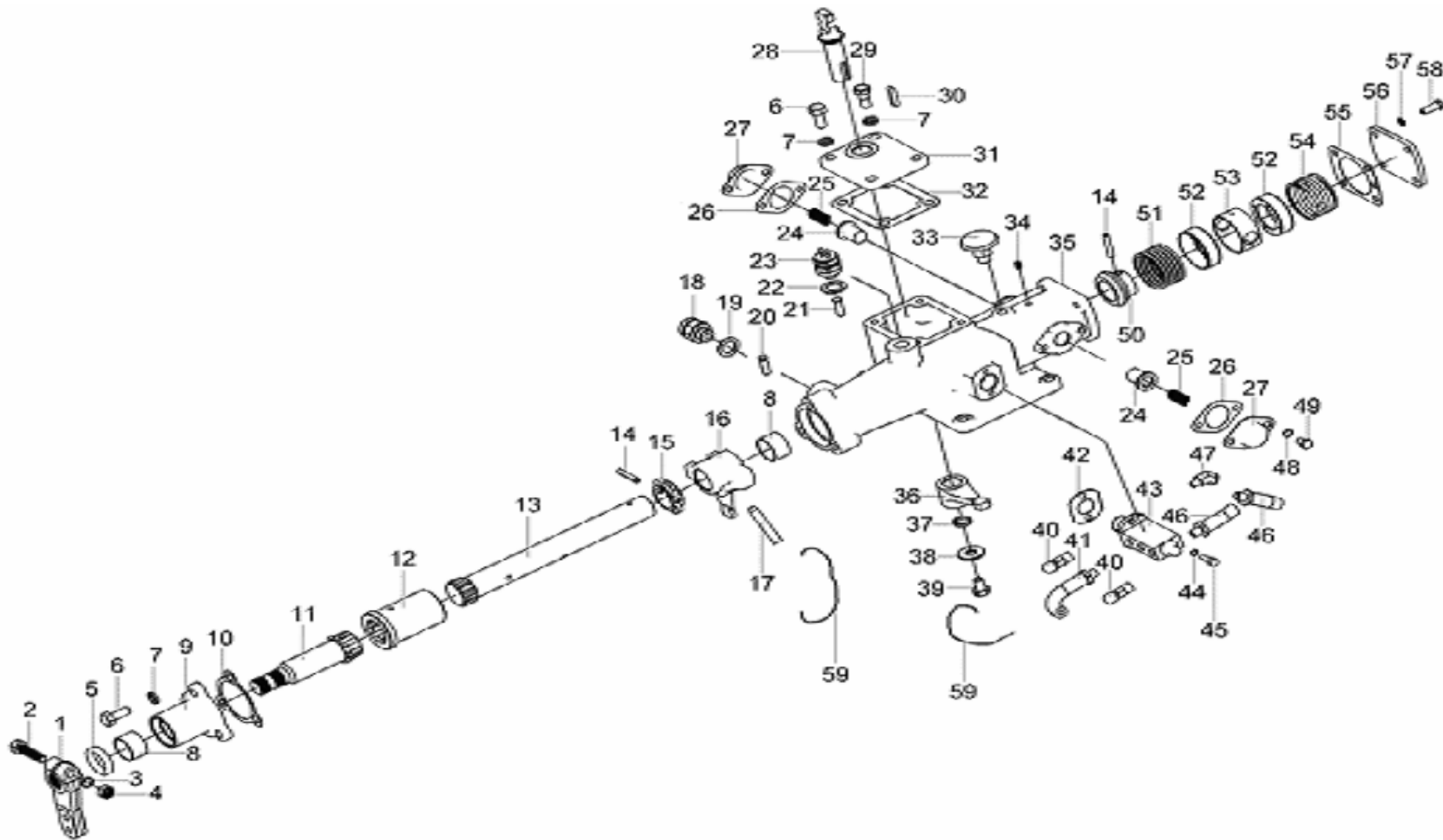
9JS150T-B 变速器操纵装置总成 9JS150T-B TRANSMISSION CONTROL ASSEMBLY

17-AI

序号 No.	件号 Part No.	数量 Quantity	名称 Name	规格 Specification	适用产品 Products Applied	备注 Remark
1	F96035	1	LRC 外换挡臂 LRC Outer Shifting Arm			
2	Q150B1050	1	小六角头螺栓 M10×1×50 Small Hexagon Head Bolt M10×1×50			
3	Q40310	1	弹簧垫圈 10 Spring Washer 10			
4	Q34110	1	六角螺母 Hexagon Nut			
5	F91444	1	油封 Oil Seal			
6	Q150B1025	3	六角头螺栓 Hexagon Head Bolt			
7	Q40310	3	弹簧垫圈 Spring Washer			
8	F91345	2	横向换挡杆衬套 Lateral Shift Lever Bush			
9	C03033-2	1	端盖 End Cover			
10	C03034-1	1	挡板衬垫 Baffle Gasket			
11	C03032-3	1	换挡接头 Shifting Connector			
12	C03031-1	1	花键套 Spline Housing			
13	F99679-8	1	横向换挡杆 Lateral Shift Lever			
14	GB879-76	2	弹性圆柱销 (销 6×35) Spring Cylindrical Pin(Pin 6×35)			

9JS150T-B 变速器操纵装置总成 9JS150T-B TRANSMISSION CONTROL ASSEMBLY

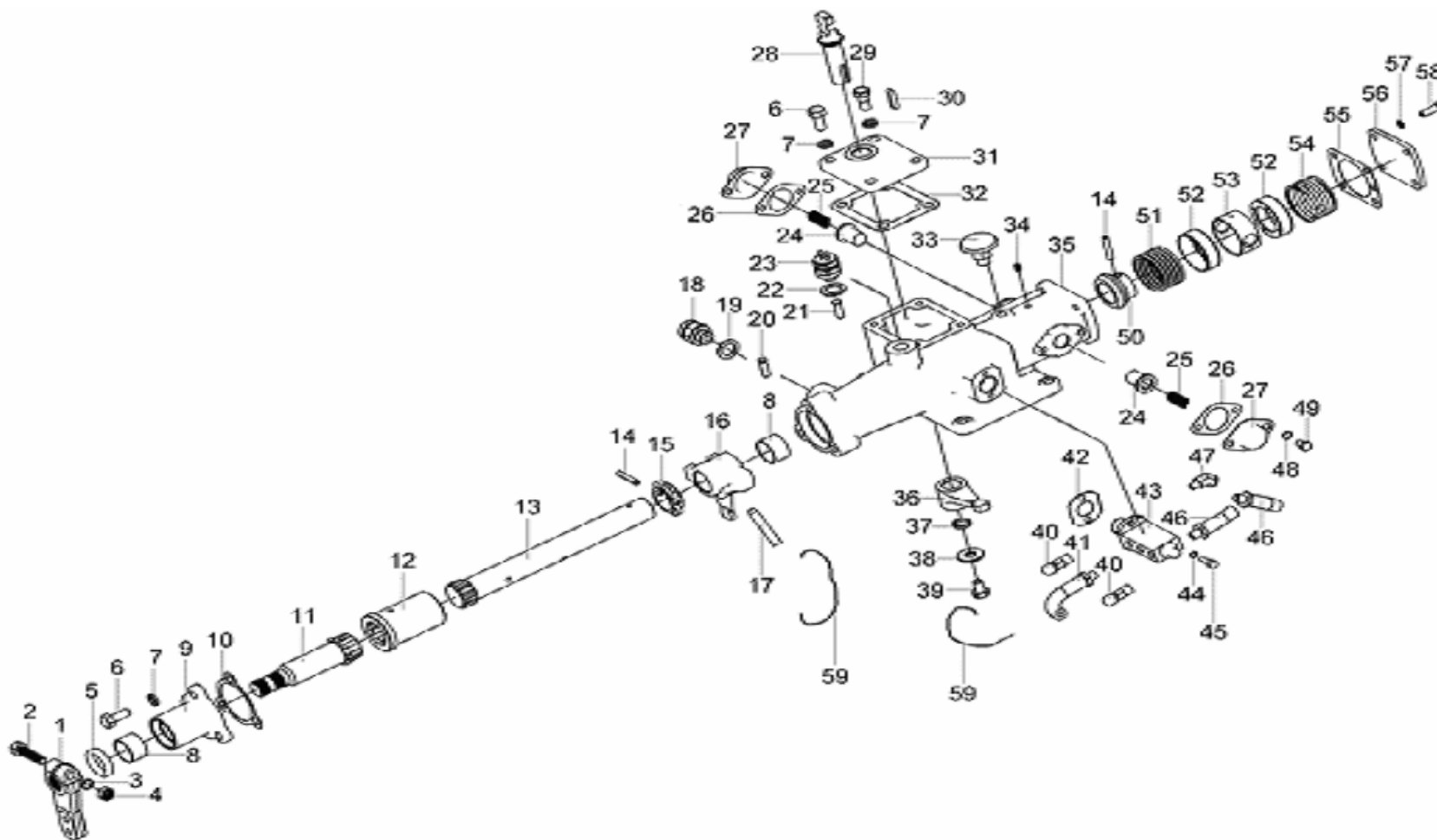
17-AI



序号 No.	件号 Part No.	数量 Quantity	名称 Name	规格 Specification	适用产品 Products Applied	备注 Remark
15	F99681	1	低倒档开关控制块 Low Reverse Switch Control Block			
16	F99585-1	1	拨头 Switch			
17	C03030	1	圆柱销 Cylindrical Pin			
18	990.12.71.0041	1	压力开关（空档） Pressure Switch (Neutral)			
19	Q72318T5	1	垫密封圈 Seal Washer			
20	F99702-1	1	空档开关柱销 Neutral Switch Pin			
21	15899	1	开关启动销 Switch Starting Pin			
22	C03015	1	垫密封圈 Seal Washer			
23	791.00.71.0068	1	压力开关（倒档） Pressure Switch(Reverse)			
24	F99670	3	定位柱塞 Locating Plunger			
25	F96037-1	3	压缩弹簧 Compression Spring			
26	F96140	2	衬垫 Gasket			
27	F96141	1	弹簧压盖 Spring Gland			
28	C03038-1	1	选档接头 Shifting Connector			

9JS150T-B 变速器操纵装置总成 9JS150T-B TRANSMISSION CONTROL ASSEMBLY

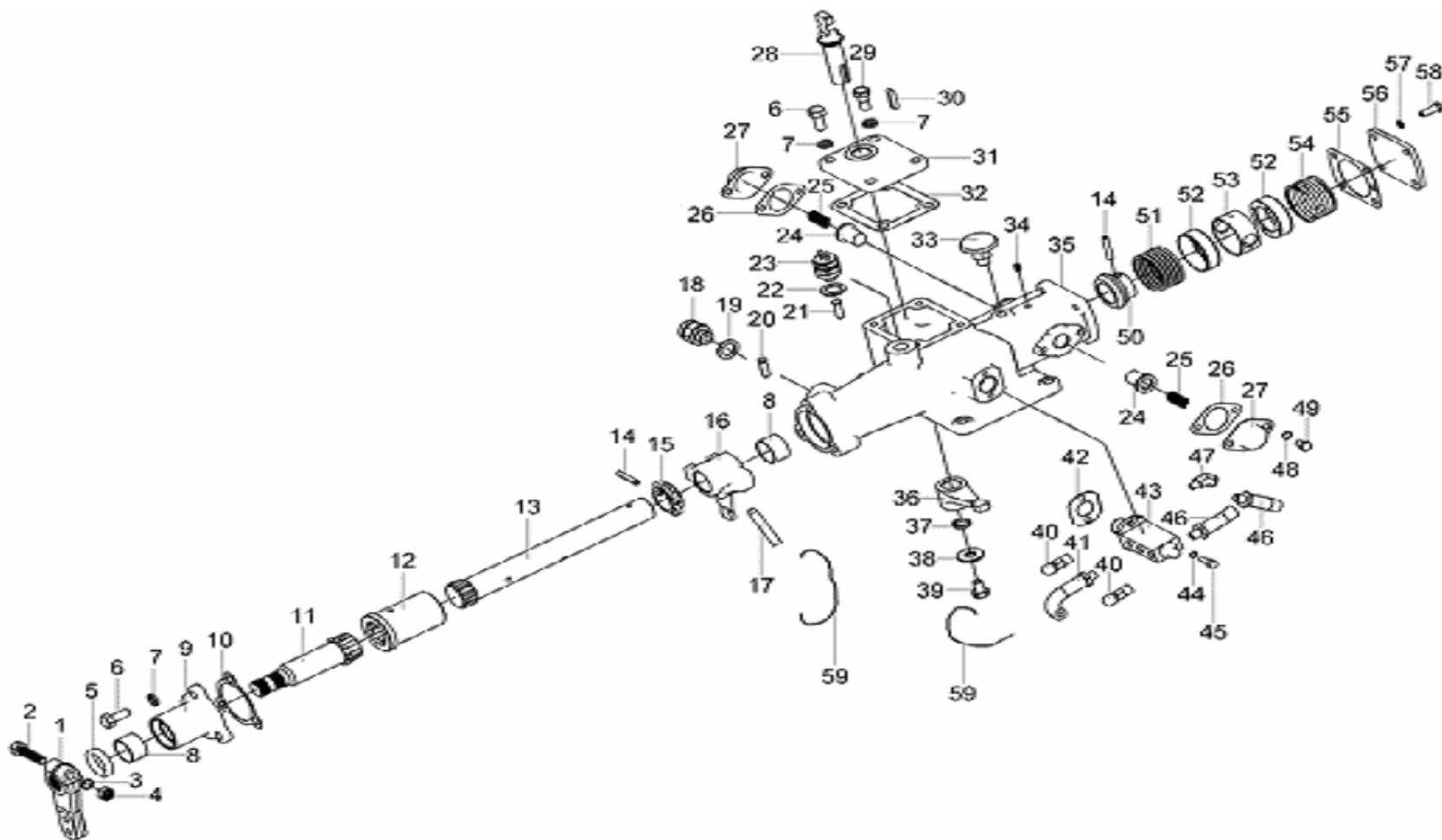
17-A1



序号 No.	件号 Part No.	数量 Quantity	名称 Name	规格 Specification	适用产品 Products Applied	备注 Remark
29	C03040-1	1	定位螺钉 Locating Screw			
30	Q5510628	1	平键 Flat Key			
31	C03036-1	1	窗口盖 Hole Cover			
32	C03037-1	2	窗口衬垫 Hole Gasket			
33	15276	1	通气塞 Ventilation Plug			
34	C03004	1	止动螺钉 Check Screw			
35	F96194-6	1	双 H 操纵装置壳体 Double H Control Case			
36	C03035-1	1	选档拨头 Shifting Switch			
37	HG4-333-66	1	O 型密封圈 (20×2.4) O-Seal Ring(20×2.4)			
38	C03039-1	1	垫圈 Washer			
39	Q170B1016	1	六角头头部带孔螺栓 Hexagon Head Bolt With Hole			
40	7935	2	通气塞 Ventilation Plug			
41	55521	1	气管总成 Tube Assembly			
42	F91353	1	双 H 气阀衬垫 Double H Valve Gasket			

9JS150T-B 变速器操纵装置总成

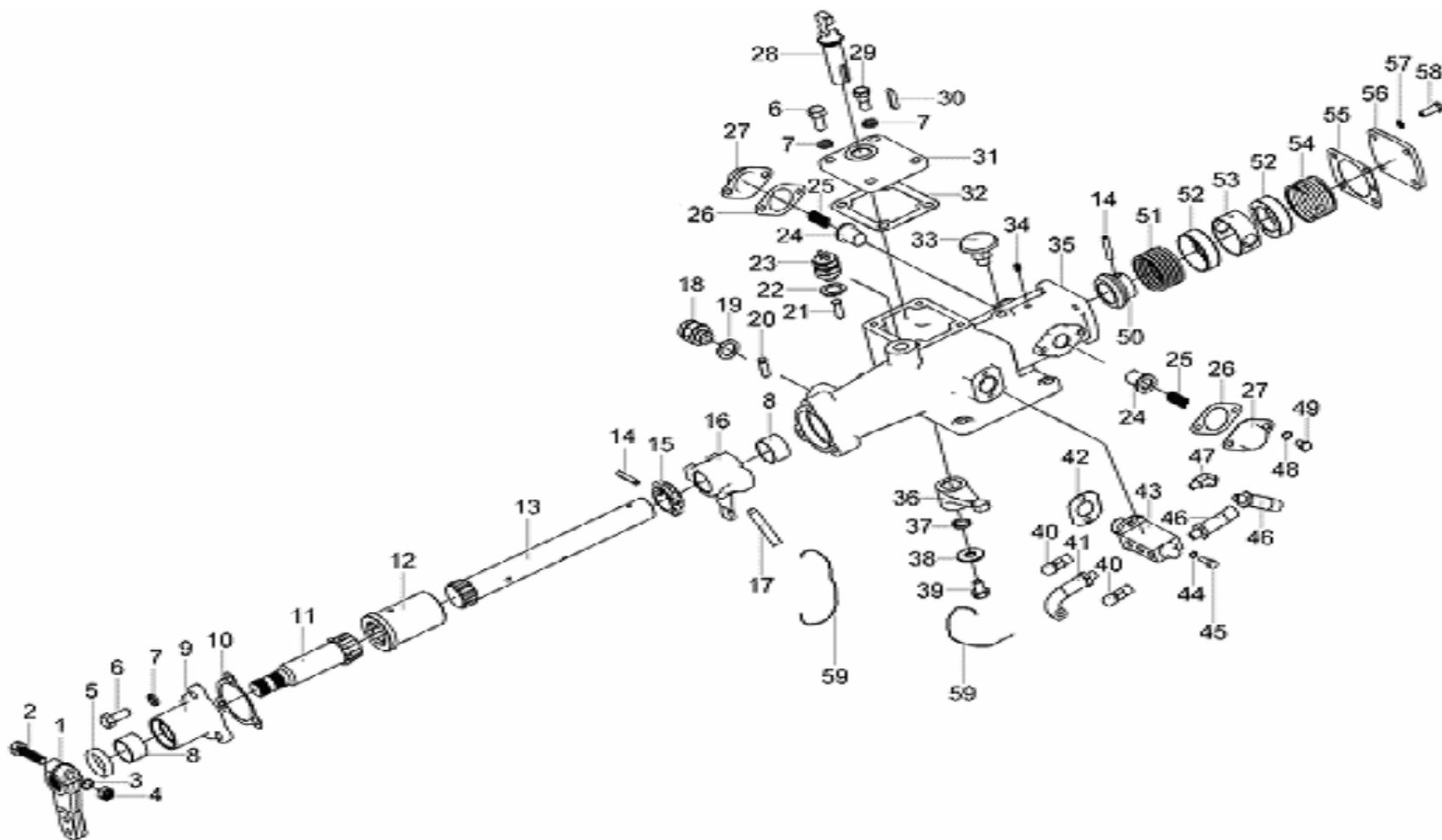
9JS150T-B TRANSMISSION CONTROL ASSEMBLY

17-AI

序号 No.	件号 Part No.	数量 Quantity	名称 Name	规格 Specification	适用产品 Products Applied	备注 Remark
43	F96037-1	3	压缩弹簧 Compression Spring			
44	F96140	2	衬垫 Gasket			
45	F96141	1	弹簧压盖 Spring Gland			
46	C03038-1	1	选档接头 Shifting Connector			
47	C03040-1	1	定位螺钉 Locating Screws			
48	Q5510628	1	平键 Flat Key			
49	C03036-1	1	窗口盖 Hole Cover			
50	C03037-1	2	窗口衬垫 Hole Gasket			
51	15276	1	通气塞 Ventilation Plug			
52	C03004	1	止动螺钉 Lock Screw			
53	F96194-6	1	双 H 操纵装置壳体 Double H Control Case			
54	C03035-1	1	选档拨头 Shifting Switch			
55	F99672	1	端垫 End Washer			
56	F99666	1	侧板 Side Panel			

9JS150T-B 变速器操纵装置总成

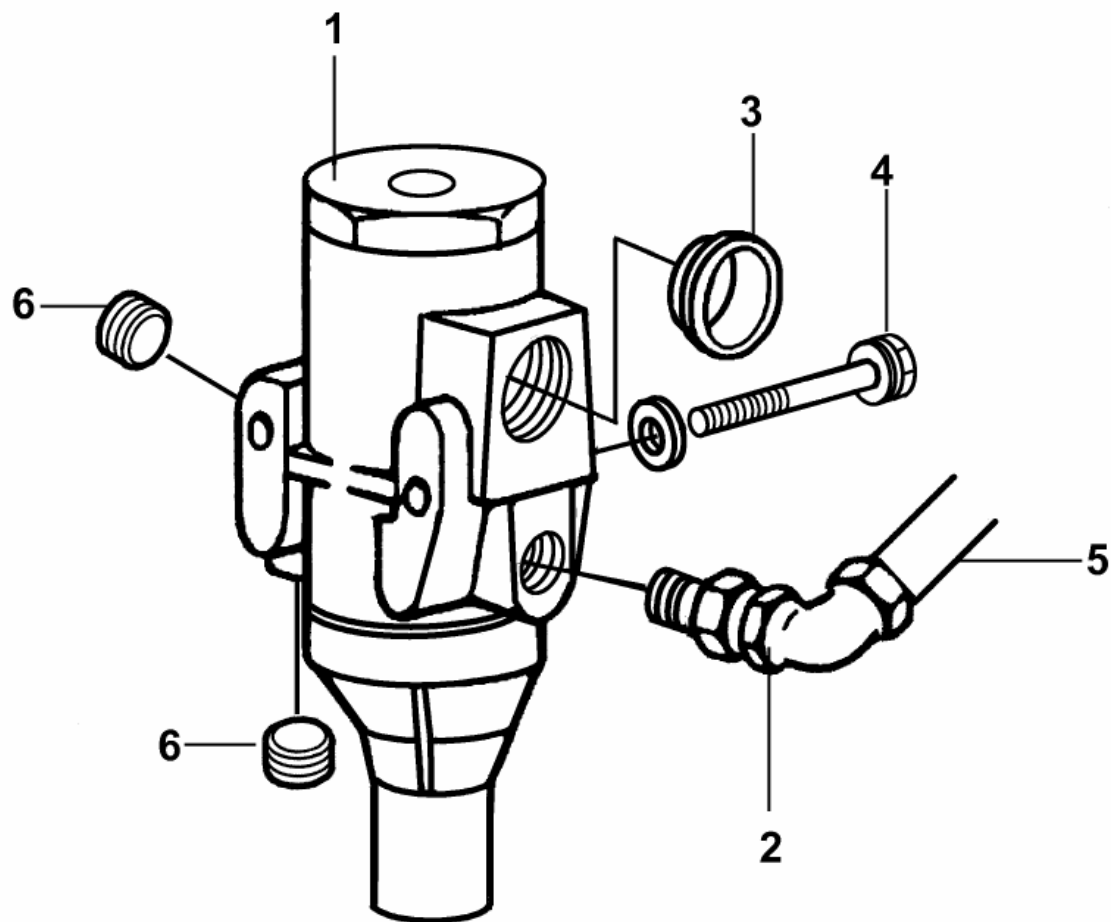
9JS150T-B TRANSMISSION CONTROL ASSEMBLY

17-AI

序号 No.	件号 Part No.	数量 Quantity	名称 Name	规格 Specification	适用产品 Products Applied	备注 Remark
57	Q40308	4	弹簧垫圈 8 Spring Washer 8			
58	Q150B0522	4	小六角头螺栓 (M8×22) Small Hexagon Head Bolt(M8×22)			
59	1819	按需 On-Demand	铁丝 Φ1.2 Iron Wire Φ1.2			

9JS150T-B 变速器空气滤清调节器总成
9JS150T-B TRANSMISSION AIR FILTER REGULATOR ASSEMBLY

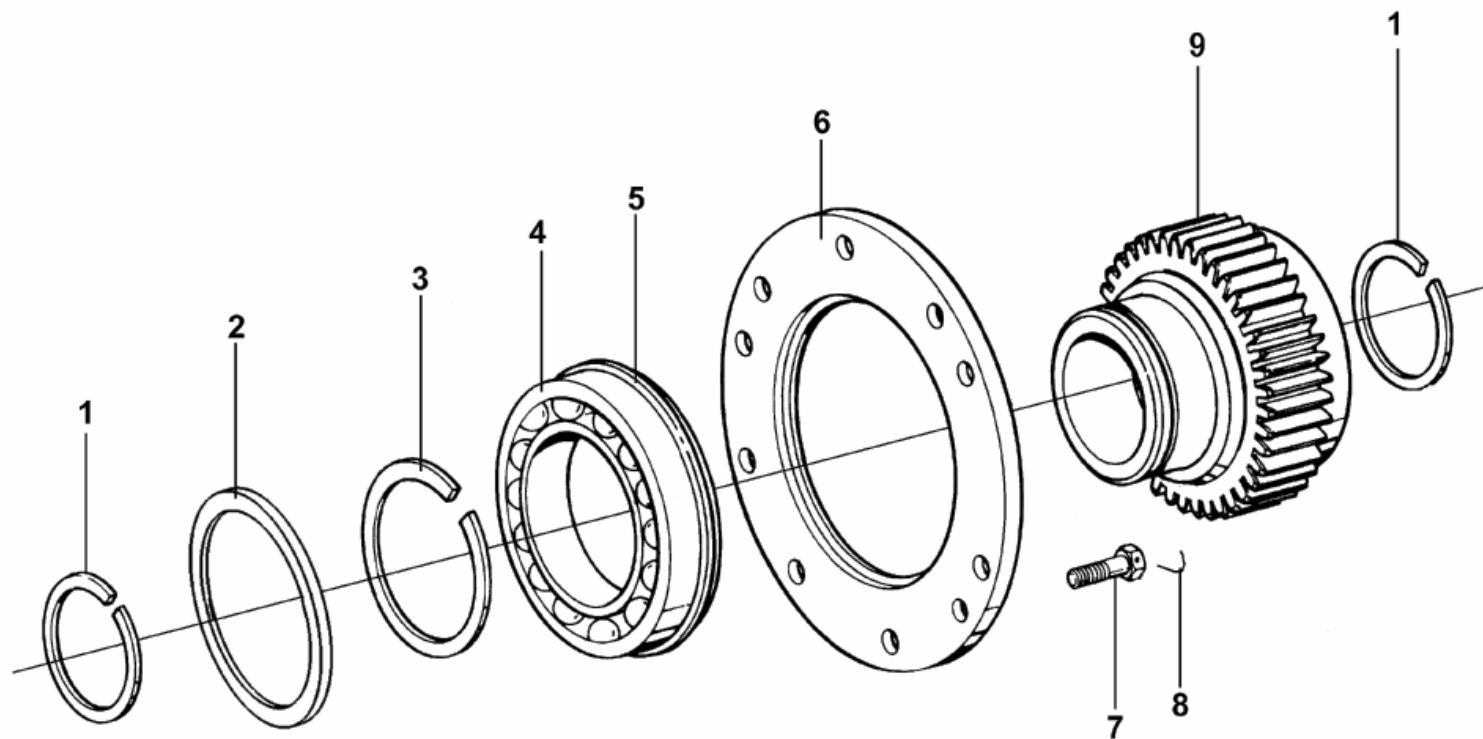
17-AJ



序号 No.	件号 Part No.	数量 Quantity	名称 Name	规格 Specification	适用产品 Products Applied	备注 Remark
1	A-4740	1	空气滤清调节器总成 Air Filter Regulator Assembly			
2	12845	1	90° 弯管接头 90° Elbow Connector			
3	54015	1	CA 碗形塞片 CA Bowl Hollow Plug			
4	GB5782-86	2	六角头螺栓 M6×60 Hexagon Head Bolt M6×60			
	GB93-87	2	垫圈 Washer			
5	55518	1	气管总成 Tube Assembly			
6	Q618B01	2	六角头锥形螺塞 Hexagon Tapered Screw Plug			

9JS150T-B 变速器副箱驱动齿轮总成
9JS150T-B TRANSMISSION ADDITIONAL GEARBOX DRIVE GEAR ASSEMBLY

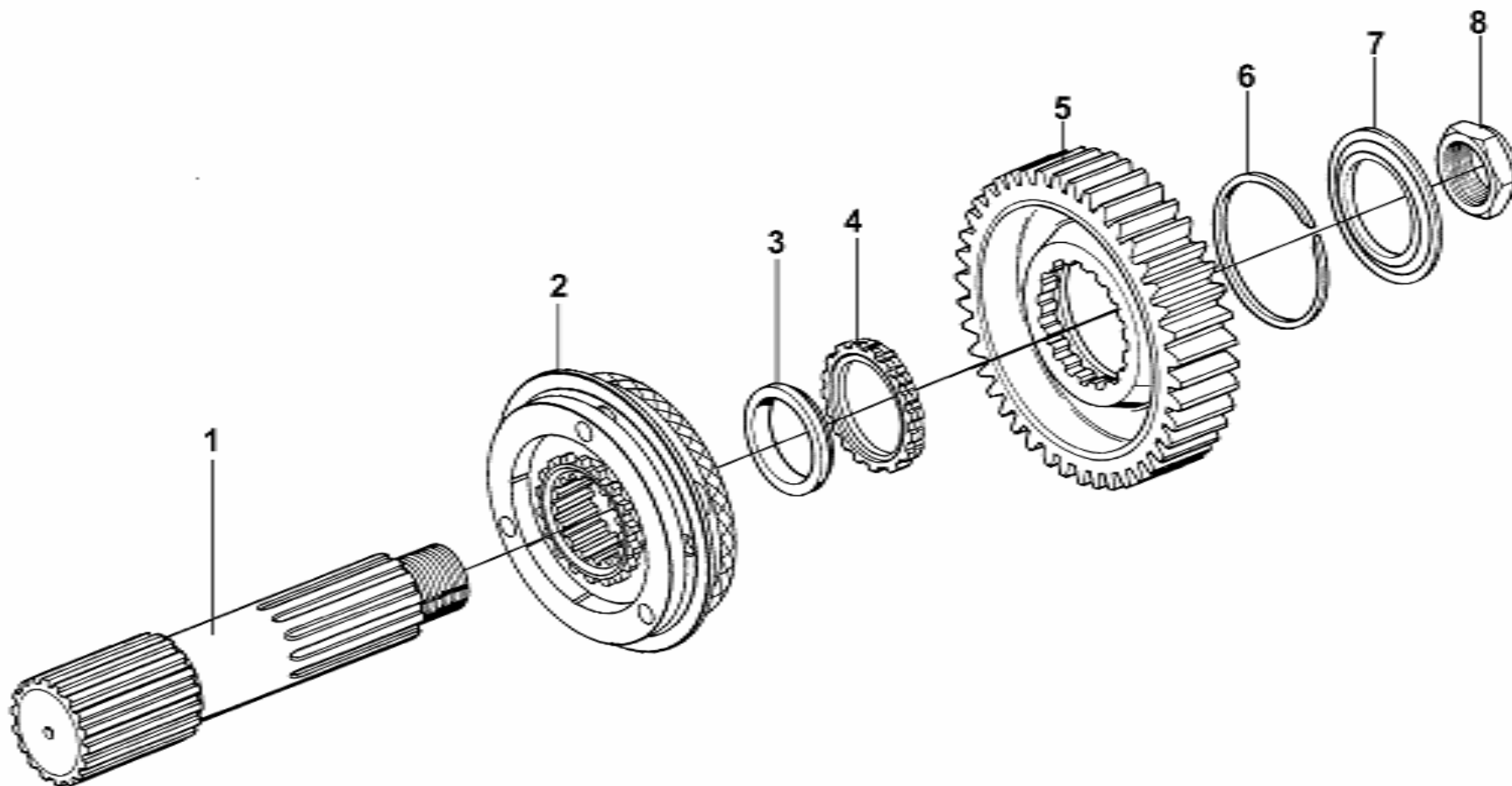
17-AK



序号 No.	件号 Part No.	数量 Quantity	名称 Name	规格 Specification	适用产品 Products Applied	备注 Remark
1	16763	2	止动环 Stop Ring			
2	C01033	1	挡圈固定环 Retainer Fixing Ring			
3	16628	1	止动环 Stop Ring			
4	50118	1	带止动槽的单列向心球轴承 Single-Row Radial Ball Bearings With Stop Groove			
5	C01019	1	止动环 Stop Ring			
6	16138	1	副箱轴承定位盘 Additional Gearbox Bearing Locating Plate			
7	GB25-76	6	小六角头头部带孔螺栓 M10×22 Small Hexagon Head Bolt With Hole M10×22			
8	1819	按需 On-Demand	铁丝 Iron Wire			
9	JS150T-1707030B	1	副箱驱动齿轮 Additional Gearbox Drive Gear			

9JS150T-B 变速器副箱主轴总成
9JS150T-B TRANSMISSION ADDITIONAL GEARBOX MAIN SPINDLE ASSEMBLY

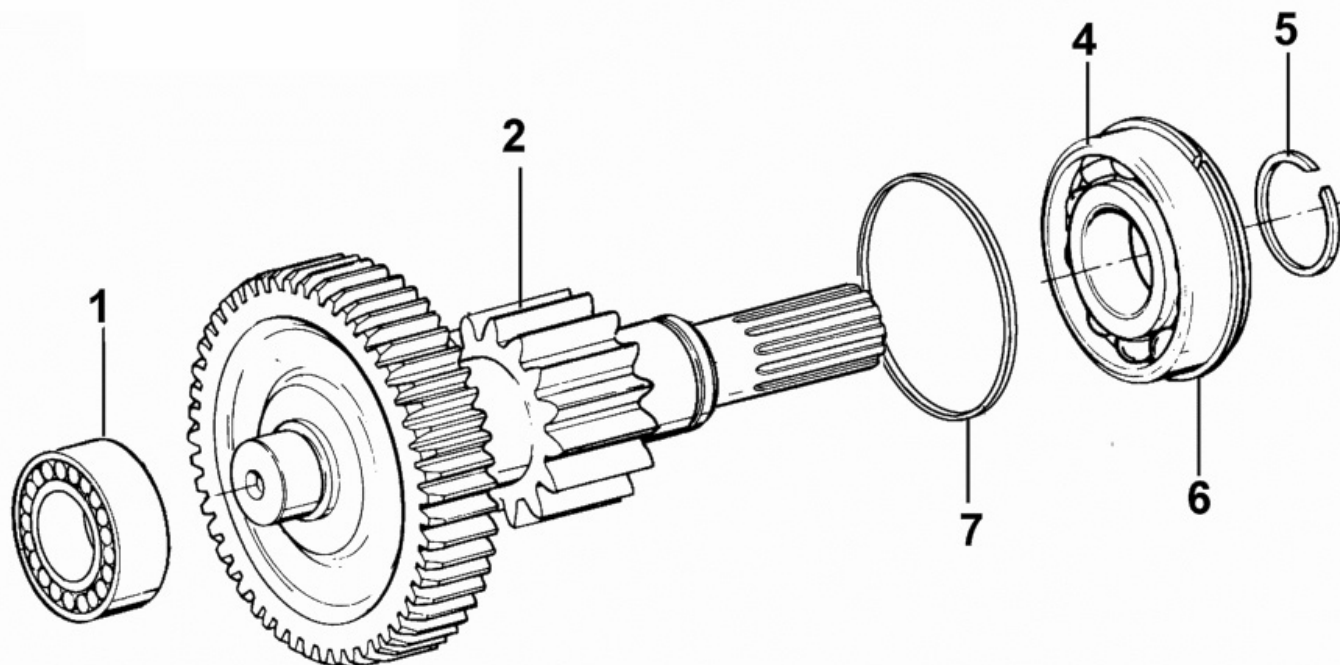
17-AL



序号 No.	件号 Part No.	数量 Quantity	名称 Name	规格 Specification	适用产品 Products Applied	备注 Remark
1	F99882	1	副箱主轴 Additional Gearbox Main Spindle			
2	A-C09005	1	高低档同步器总成 High And Low Gear Synchronizer Assembly			
3	14332	1	副箱主轴垫圈 Additional Gearbox Main Spindle Washer			
4	14331	1	副箱主轴齿轮垫片 Additional Gearbox Main Spindle Gear Shim			
5	A-C09007	1	副箱主轴减速齿轮总成 Additional Gearbox Main Spindle Reduction Gear Assembly			
6	14327	1	止动环 Stop Ring			
7	19466	1	副箱减速齿轮垫片 Additional Gearbox Reduction Gear Shim			
8	F96006	1	凸缘螺母 Flanged Nut			

9JS150T-B 变速器副箱左、右中间轴
9JS150T-B TRANSMISSION ADDITIONAL GEARBOX LEFT AND RIGHT
COUNTERSHAFT

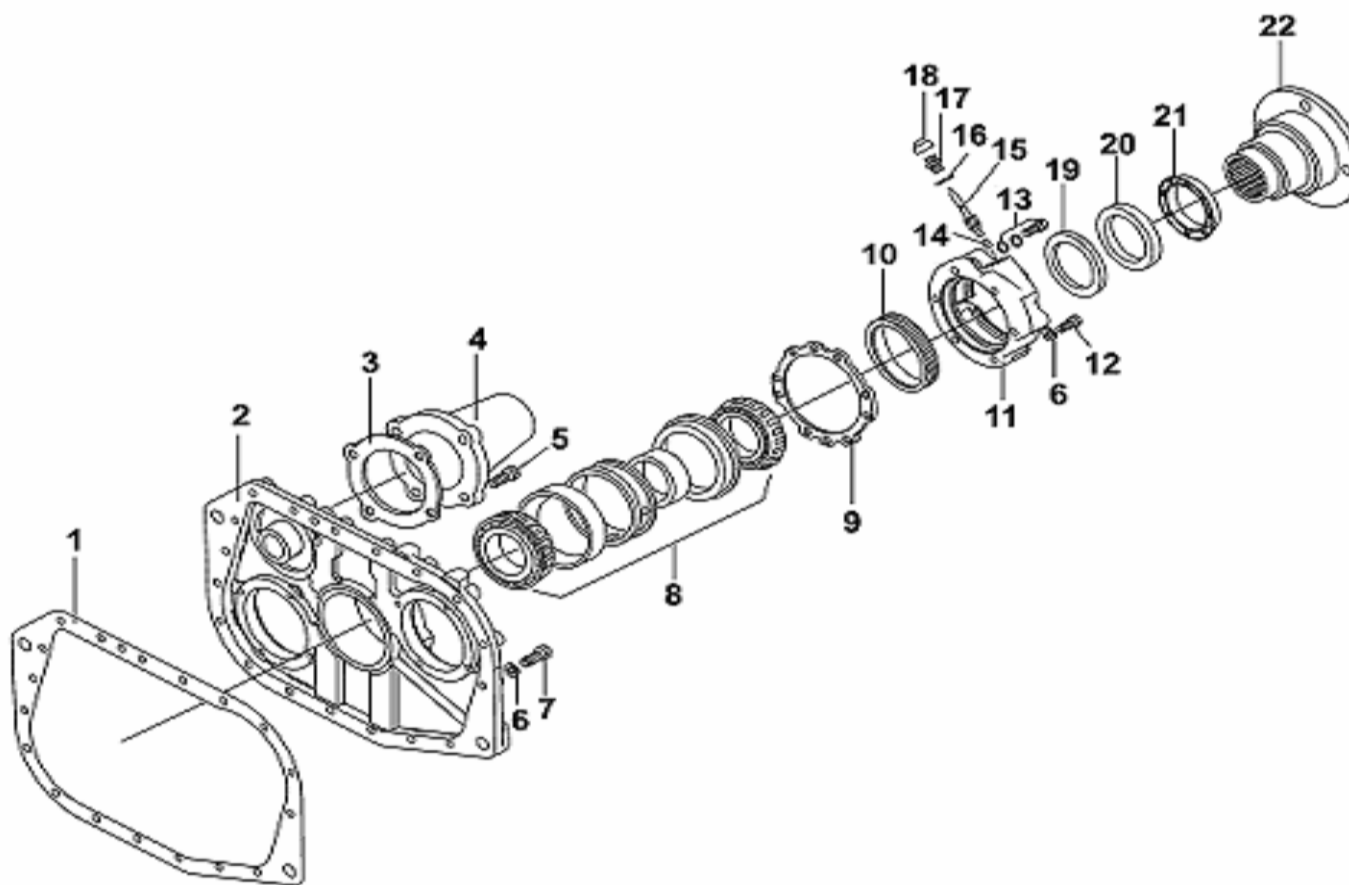
17-AM



序号 No.	件号 Part No.	数量 Quantity	名称 Name	规格 Specification	适用产品 Products Applied	备注 Remark
1	42307E	2	短圆柱滚子轴承 Short Cylindrical Roller Bearing			
2	JS150T-1707046B	1	副箱中间轴焊接总成 Additional Gearbox Countershaft Welding Assembly			
	JS150T-1707047B	1	副箱加长中间轴焊接总成 Additional Gearbox Extension Countershaft Welding Assembly			
4	192310E	2	短圆柱滚子轴承 Short Cylindrical Roller Bearing			
5	16723	2	止动环 Stop Ring			
6	C01020	2	止动环 Stop Ring			
7	17384	2	轴承垫圈 Bearing Washer			

9JS150T-B 变速器后盖总成 9JS150T-B TRANSMISSION REAR COVER ASSEMBLY

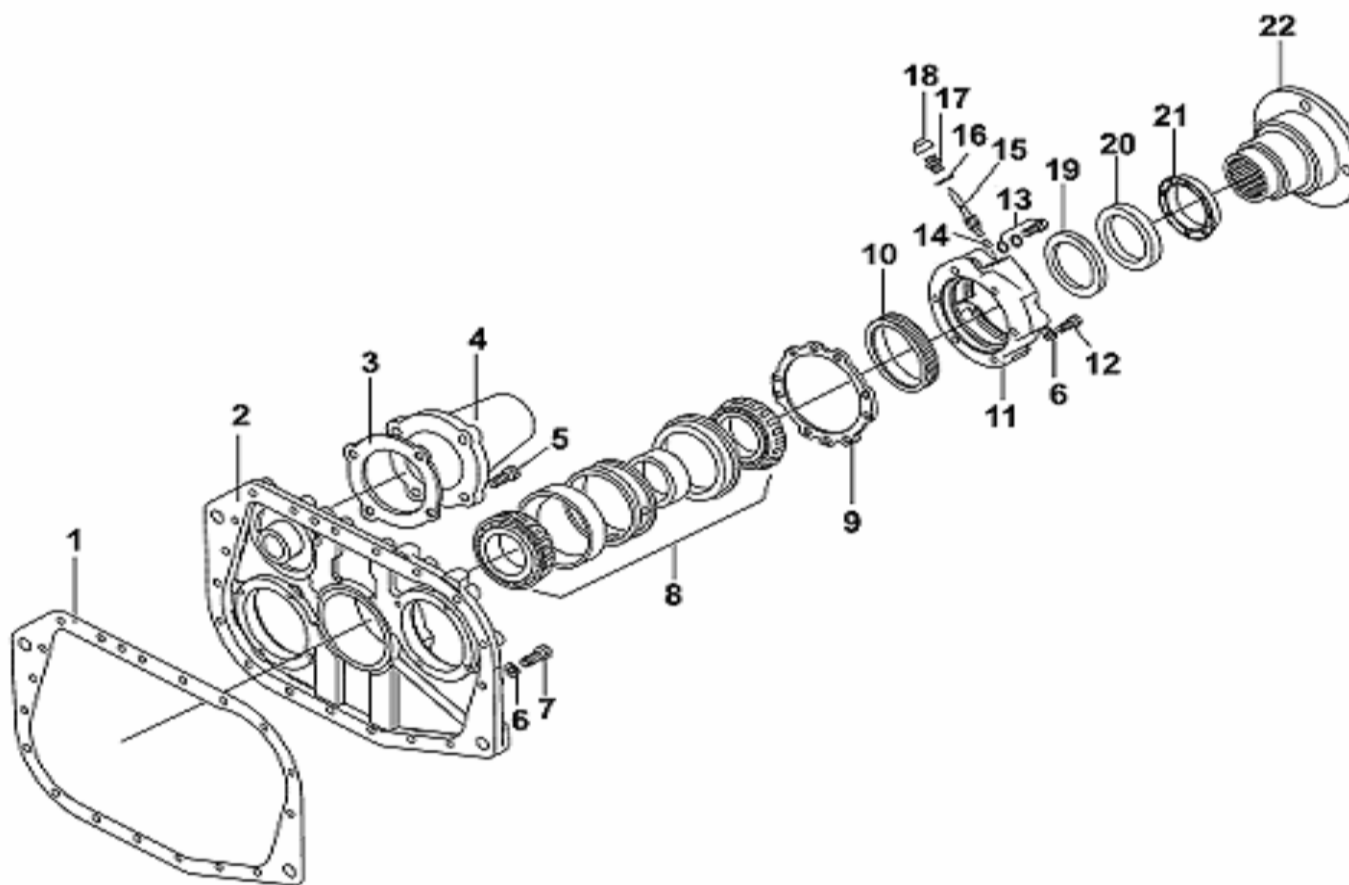
17-AN



序号 No.	件号 Part No.	数量 Quantity	名称 Name	规格 Specification	适用产品 Products Applied	备注 Remark
1	14335	1	后盖衬垫 Rear Cover Gasket			
2	F99975	1	后盖壳体 Rear Cover Case			
3	17352	1	副箱中间轴轴承盖衬垫 Additional Gearbox Countershaft Bearing Cover Gasket			
4	17376	2	加长中间轴轴承盖 Extension Countershaft Bearing Cover			
5	A-C09008	8	螺栓总成 Bolt Assembly			
6	Q40310	22	弹簧垫圈 10 Spring Washer 10			
7	GB21-76	18	小六角头螺栓 M10 Small Hexagon Head Bolt M10			
8	717813	1	圆锥滚子轴承 Tapered Roller Bearing			
9	15532	1	副箱主轴后轴承盖衬垫 Additional Gearbox Main Spindle Rear Bearing Cover Gasket			
10	LF28-380203	1	里程表主动齿轮 Odometer Drive Gear			
11	F99967	1	输出轴后轴承盖 Output Shaft Rear Bering Cover			
12	GB21-76	5	小六角头螺栓 M10×75 Small Hexagon Head Bolt M10×75			
13	A-C09009	1	螺栓总成 Bolt Assembly			
14	7992	1	里程表被动齿轮轴套 Odometer Driven Gear Shaft Sleeve			

9JS150T-B 变速器后盖总成 9JS150T-B TRANSMISSION REAR COVER ASSEMBLY

17-AN

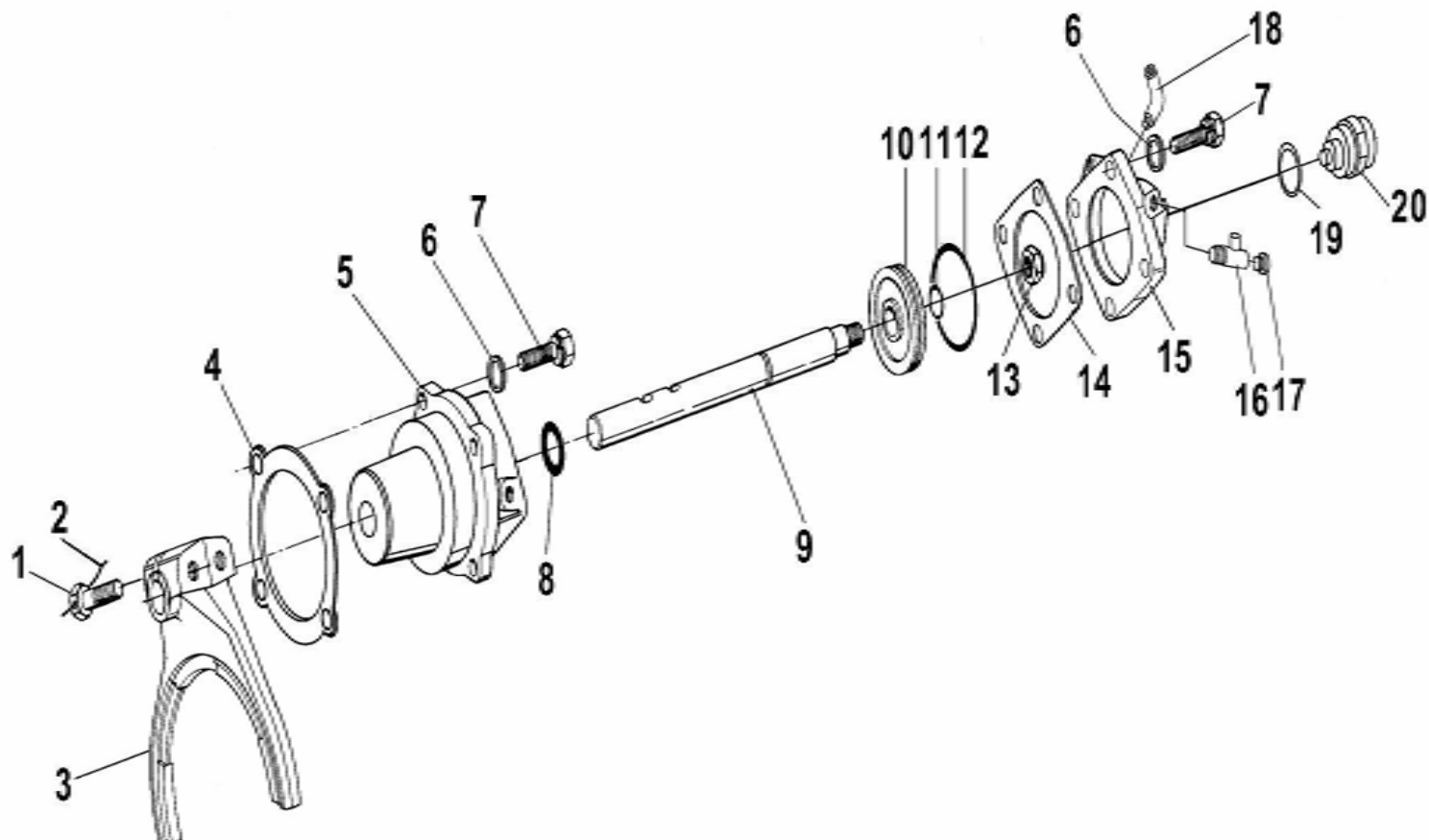


序号 No.	件号 Part No.	数量 Quantity	名称 Name	规格 Specification	适用产品 Products Applied	备注 Remark
15	LF29-3802034	1	里程表被动齿轮 Odometer Driven Gear			
16	F96005	1	垫片 Shim			
17	F91005-1	1	里程表接头 Odometer Connector			
	HG4-333-66	1	O型圈 $\Phi 12 \times 1.9$ O-Ring $\Phi 12 \times 1.9$			
18	X11412	1	里程表防护套 Odometer Guard			
19	19109	1	油封 Oil Seal			
20	C01032	1	主轴后轴承盖油封 Main Spindle Rear Bearing Cover Oil Seal			
21	F96119	1	防尘罩 Dust Cover			
22	F99900-5	1	输出法兰盘 Output Flange			

9JS150T-B 变速器副箱气缸总成

9JS150T-B TRANSMISSION ADDITIONAL GEARBOX CYLINDER ASSEMBLY

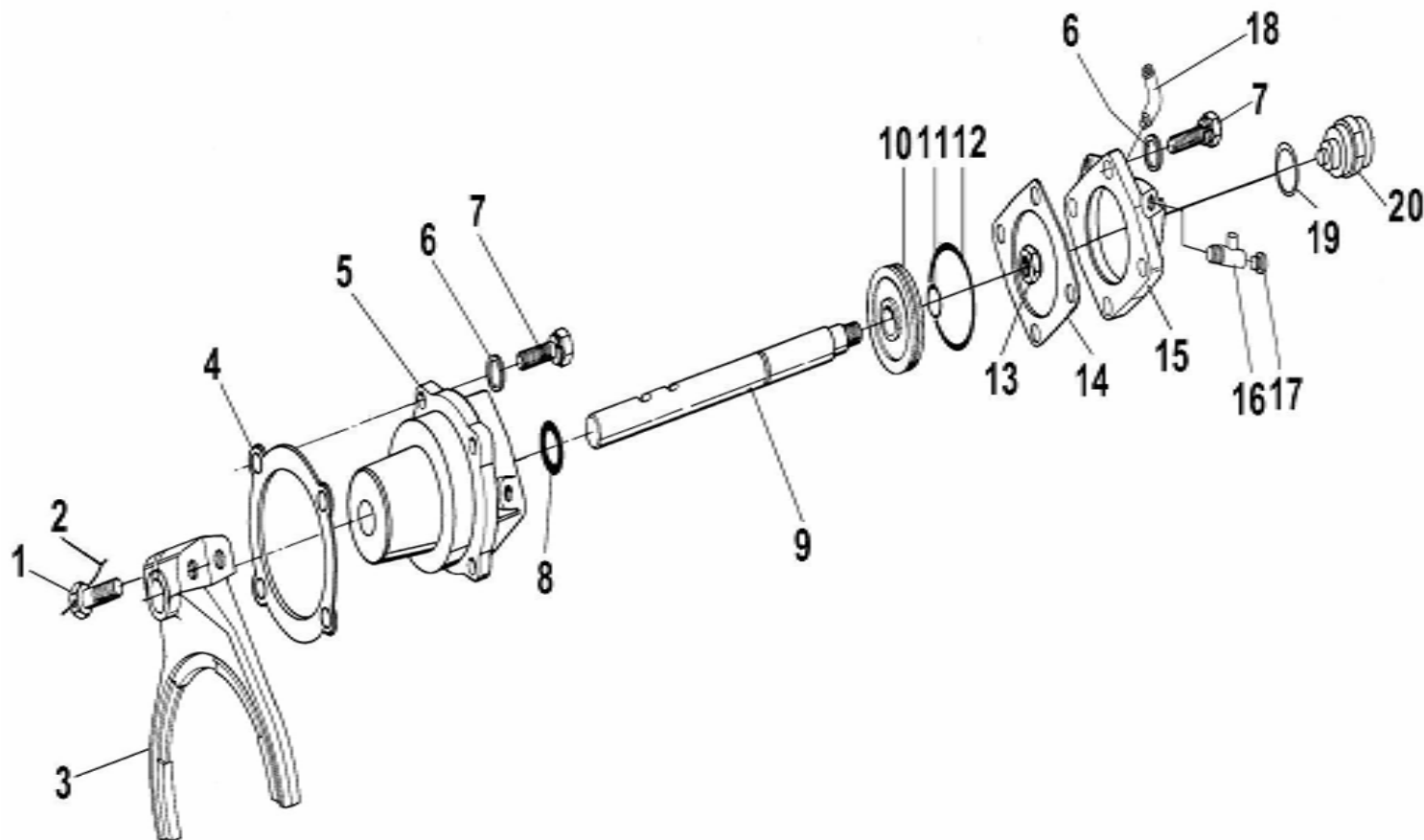
17-A0



序号 No.	件号 Part No.	数量 Quantity	名称 Name	规格 Specification	适用产品 Products Applied	备注 Remark
1	GB25-76	2	小六角头头部带孔螺栓 M12×1.25×50 Small Hexagon Head Bolt With Hole M12×1.25×50			
2	1819	按需 On-Demand	铁丝 Iron Wire			
3	16775	1	副箱拨叉 Additional Gearbox Fork			
4	14347	1	密封垫 Grommet			
5	16778	1	范围档气缸 Range Shift Cylinder			
6	GB93-76	8	弹簧垫圈 10 Spring Washer 10			
7	GB21-76	8	小六角头螺栓 M10×32 Small Hexagon Head Bolt M10×32			
8	14765	1	O型密封圈 O-Seal Ring			
9	16993	1	范围档拨叉轴 Range Shift Fork Shaft			
10	14341	1	范围档气缸活塞 Range Shift Cylinder Piston			
11	14345	1	O型密封圈 O-Seal Ring			
12	14344	1	O型密封圈 O-Seal Ring			
13	GB890-80	1	六角尼龙圈锁紧薄螺母 M16×1.5 Hexagon Nylon Ring Lock Thin Nut			
14	14349	1	气缸盖密封垫 Cylinder Cover Grommet			

9JS150T-B 变速器副箱气缸总成
9JS150T-B TRANSMISSION ADDITIONAL GEARBOX CYLINDER ASSEMBLY

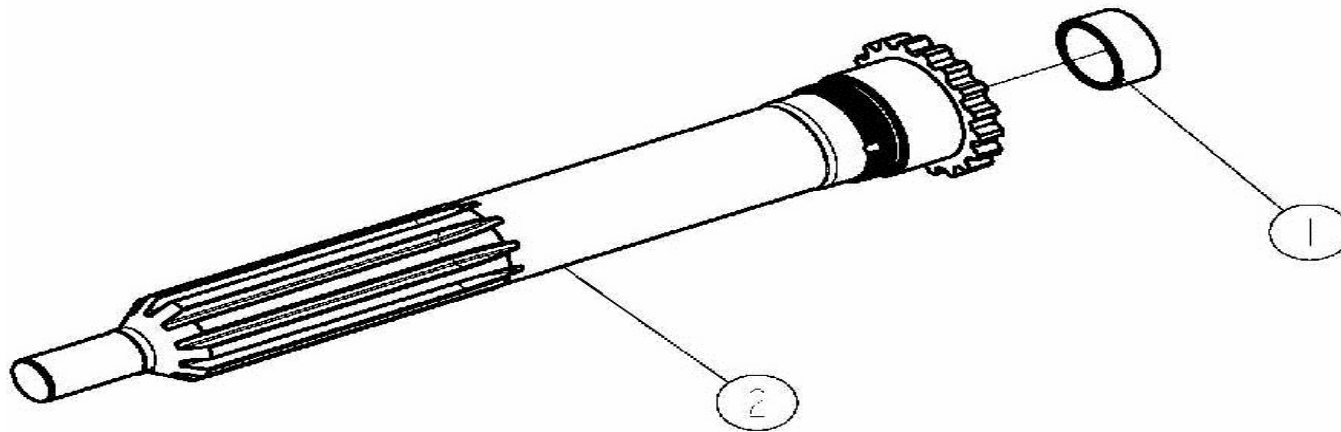
17-A0



序号 No.	件号 Part No.	数量 Quantity	名称 Name	规格 Specification	适用产品 Products Applied	备注 Remark
15	F99857	1	副箱换挡气缸盖 Additional Gearbox Shift Cylinder Cover			
16	C03052	1	三通管接头 NPT1/8 3-Way Tube Connector NPT1/8			
17	Q618B01	1	方头锥形螺塞 NPT1/8 Square Tapered Screw Plug NPT1/8			
18	12880	1	45° 弯管接头 45° Elbow Connector			
19	X11511	4	褶皱铜垫圈 Corrugated Copper Washer			
20	791.00.71.0069	1	压力开关 Pressure Switch			

12JS160T 一轴总成
12JS160T NO.1 SHAFT ASSEMBLY

17-AP

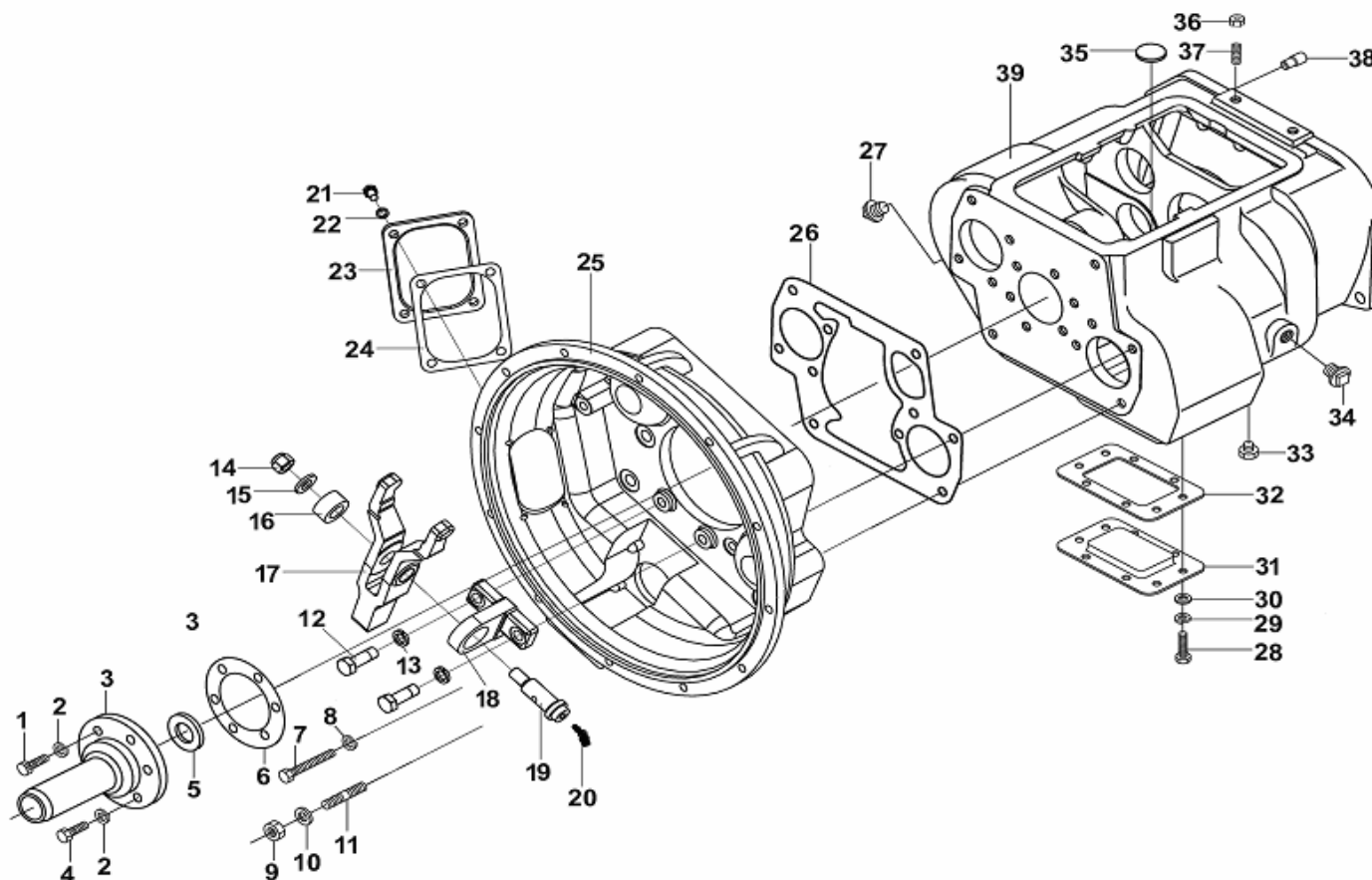


一轴总成
NO.1 SHAFT ASSEMBLY

序号 No.	件号 Part No.	数量 Quantity	名称 Name	规格 Specification	适用产品 Products Applied	备注 Remark
1	16566	1	二轴导套 No.2 Shaft Guide Bush			
2	JS180-1701030-1	1	一轴 No.1 Shaft			

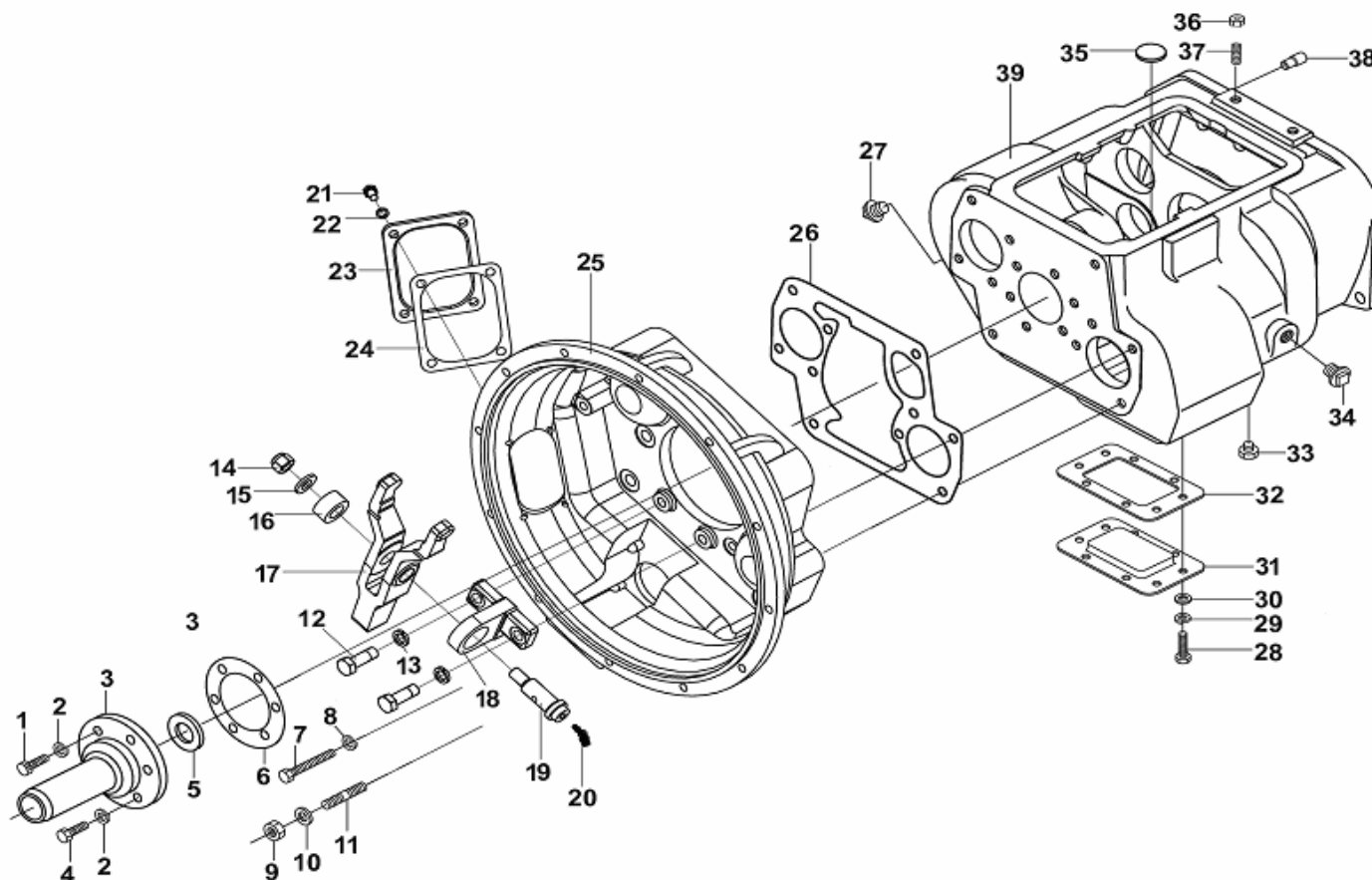
12JS160T 离合器和变速箱壳体总成 12JS160T CLUTCH AND TRANSMISSION CASE ASSEMBLY

17-AQ



序号 No.	件号 Part No.	数量 Quantity	名称 Name	规格 Specification	适用产品 Products Applied	备注 Remark
1	Q1701032	2	六角头头部带孔螺栓 M10×32 Hexagon Head Bolt With Hole M10×32			
2	GB93-87	6	弹簧垫圈 10 Spring Washer 10			
3	JS180-1701040-1	1	一轴轴承盖 No.1 Bearing Cap			
4	GB5782-86	4	六角头螺栓 M10×32 Hexagon Head Bolt M10×32			
5	F500A-1802191	1	一轴轴承盖油封 No.1 Bearing Cap oil Seal			
6	14311	1	一轴轴承盖衬垫 No.1 Bearing Cap Gasket			
7	GB5783-86	2	小六角头螺栓 M12×90 Small Hexagon Head Bolt M12×90			
8	GB93-87	12	弹簧垫圈 12 Spring Washer 12			
9	GB889-80	6	六角尼龙圈锁紧螺母 M16×1.5 Hexagon Nylon Ring Lock Nut M16×1.5			
10	GB95-85	6	垫圈 16 Washer 16			
11	C01056	6	双头螺栓 Stud Bolt			
12	GB21-76	2	小六角头螺栓 M16×45 Small Hexagon Head Bolt M16×45			
13	GB93-76	2	弹簧垫圈 16 Spring Washer 16			
14	GB889-80	1	六角尼龙圈锁紧螺母 M16×1.5 Hexagon Nylon Ring Lock Nut M16×1.5			

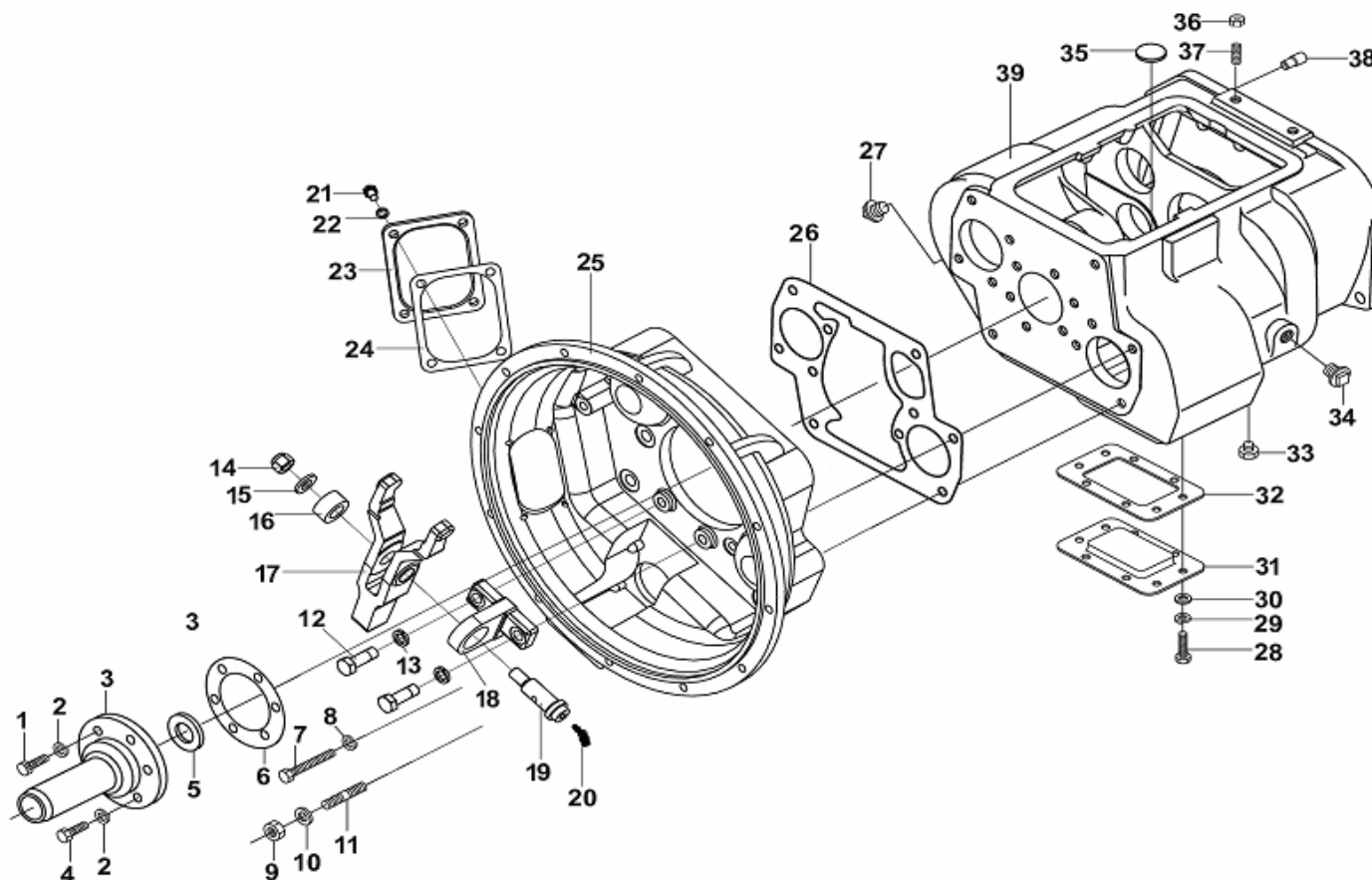
12JS160T 离合器和变速箱壳体总成 12JS160T CLUTCH AND TRANSMISSION CASE ASSEMBLY

17-AQ

序号 No.	件号 Part No.	数量 Quantity	名称 Name	规格 Specification	适用产品 Products Applied	备注 Remark
15	JS180-1601022-1	1	垫片 Shim			
16	GE25ES	1	关节轴承 Pivot Bearing			
17	JS180-1601021-1	1	拨叉 Fork			
18	JS180-1601024-1	1	T型板 T Plate			
19	JS180-1601023-1	1	拨叉轴 Fork Shaft			
20	Q701B45	1	弯颈式润脂嘴 Elbow Grease Nipple			
21	Q150B1020	4	六角头螺栓 Hexagon Head Bolt			
22	Q43010	4	弹簧垫圈 Spring Washer			
23	JS180-1701016-1	1	离合器手孔盖 Clutch Inspection Hole Cover			
24	JS180-1701017-1	1	离合器手孔盖衬垫 Clutch Inspection Hole Cover Gasket			
25	JS180-1601015-1	1	离合器壳体 Clutch Case			
26	20822	1	离合器壳体衬垫 Clutch Case Gasket			
27	Q61304	1	方头锥形螺塞 Square Tapered Screw Plug			
28	GB21-76	8	小六角头螺栓 M12×25 Small Hexagon Head Bolt M12×25			

12JS160T 离合器和变速箱壳体总成 12JS160T CLUTCH AND TRANSMISSION CASE ASSEMBLY

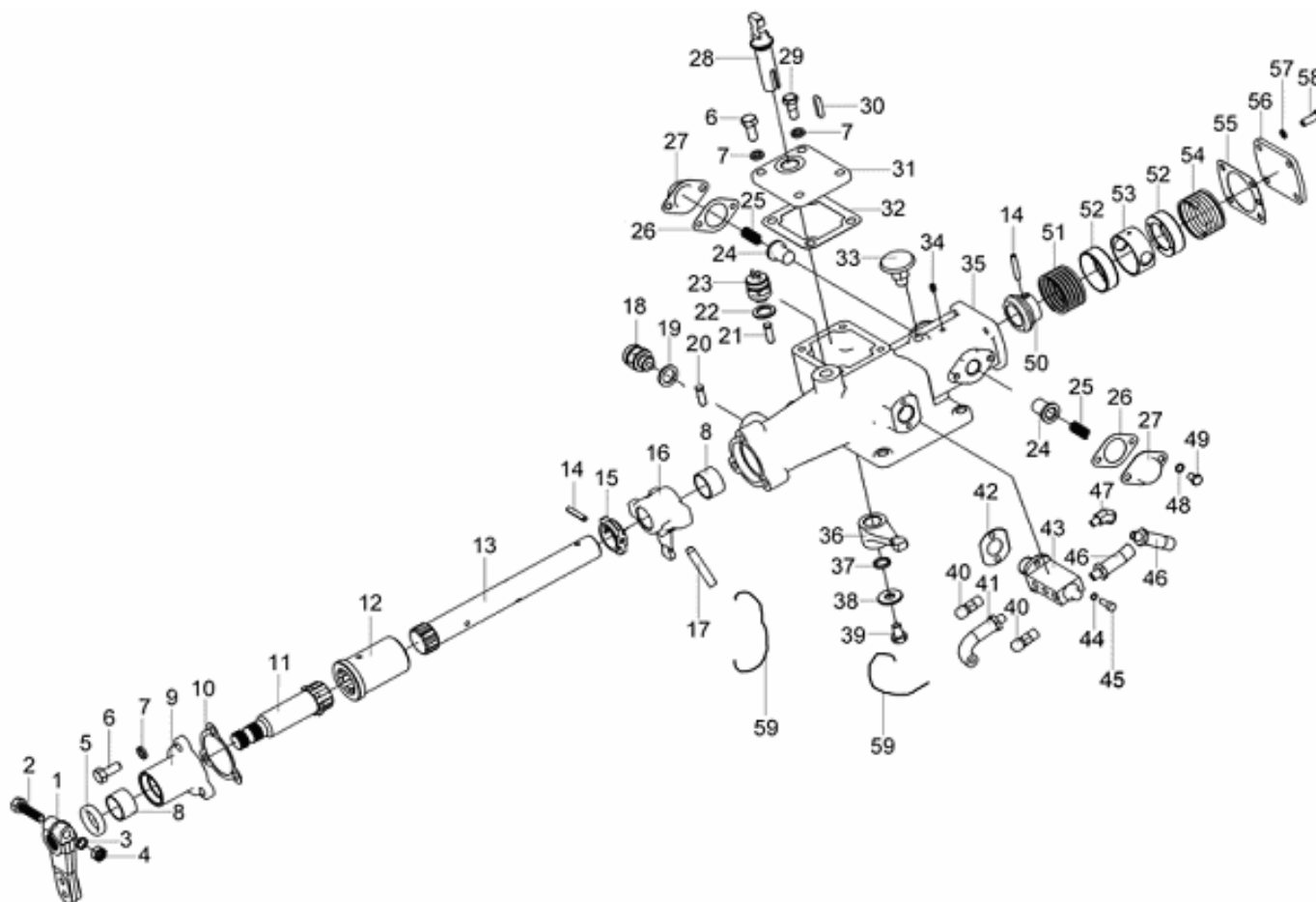
17-AQ



序号 No.	件号 Part No.	数量 Quantity	名称 Name	规格 Specification	适用产品 Products Applied	备注 Remark
29	GB93-76	8	弹簧垫圈 12 Spring Washer 12			
30	Q40112	8	平垫圈 12 Plate Washer 12			
31	16596	1	底取力窗口 Bottom Power Take-Off Hole			
32	16929	1	底取力窗口衬垫 Bottom Power Take-Off Hole Gasket			
33	Q614B06	1	方头锥形螺塞 NPT3/4 Square Tapered Screw Plug NPT3/4			
34	Q614B12	1	方头锥形螺塞 Square Tapered Screw Plug			
35	14373	3	圆磁铁 Round Magnet			
36	GB52-76	2	六角螺母 M16×1.5 Hexagon Nut M16×1.5			
37	Q1231630	2	双头螺栓 Stud Bolt			
38	14334	3	后盖定位销 Rear Cover Locating Pin			
39	12JS160T-1701015	1	变速器壳体 Transmission Case			

12JS160T 操纵装置总成 12JS160T CONTROL ASSEMBLY

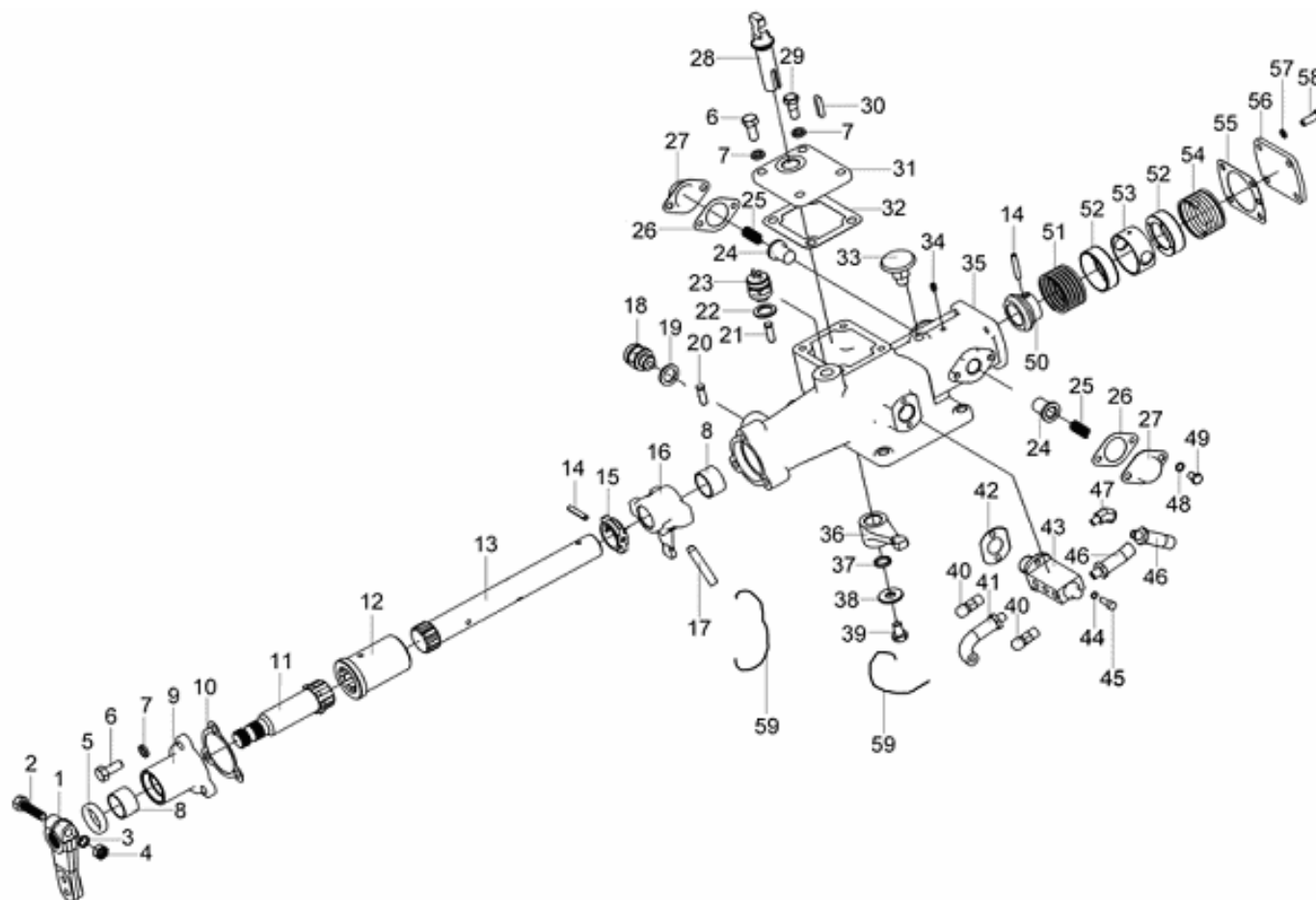
17-AR



序号 No.	件号 Part No.	数量 Quantity	名称 Name	规格 Specification	适用产品 Products Applied	备注 Remark
1	F96035	1	LRC 外换挡臂 LRC Outer Shifting Arm			
2	Q150B1050	1	小六角头螺栓 M10×1×50 Small Hexagon Head Bolt M10×1×50			
3	Q40310	1	弹簧垫圈 10 Spring Washer 10			
4	Q34110	1	六角螺母 Hexagon Nut			
5	F91444	1	油封 Oil Seal			
6	Q150B1025	3	六角头螺栓 Hexagon Head Bolt			
7	Q40310	3	弹簧垫圈 Spring Washer			
8	F91345	2	横向换挡杆衬套 Lateral Shift Lever Bush			
9	C03033-2	1	端盖 End Cover			
10	C03034-1	1	挡板衬垫 Baffle Gasket			
11	C03032-3	1	换挡接头 Shifting Connector			
12	C03031-1	1	花键套 Spline Housing			
13	F99679-8	1	横向换挡杆 Lateral Shift Lever			
14	GB879-76	2	弹性圆柱销 (销 6×35) Spring Cylindrical Pin(Pin 6×35)			

12JS160T 操纵装置总成 12JS160T CONTROL ASSEMBLY

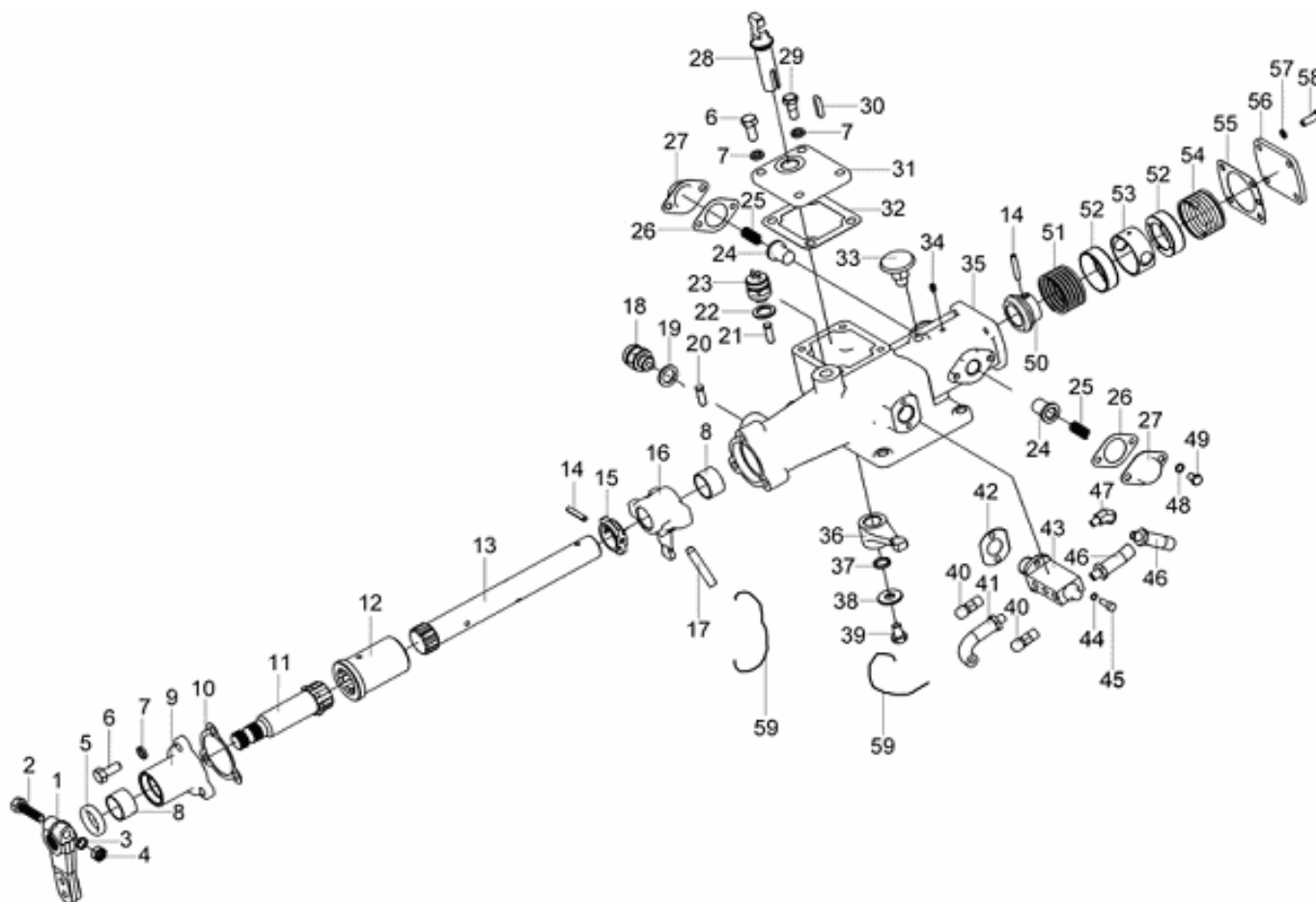
17-AR



序号 No.	件号 Part No.	数量 Quantity	名称 Name	规格 Specification	适用产品 Products Applied	备注 Remark
15	DS100-1703052-1	1	低倒档开关控制块 Low Reverse Switch Control Block			
16	12JS160T-1703018-1	1	拨头 Switch			
17	C03030	1	圆柱销 Cylindrical Pin			
18	990.12.71.0041	1	压力开关(空档) Pressure Switch(Neutral)			
19	Q72318T5	1	垫密封圈 Seal Washer			
20	F99702-1	1	空档开关柱销 Neutral Switch Pin			
21	15899	1	开关启动销 Switch Starting Pin			
22	C03015	1	垫密封圈 Seal Washer			
23	791.00.71.0068	1	压力开关(倒档) Pressure Switch(Reverse)			
24	F99670	2	定位柱塞 Locating Plunger			
25	F96037-1	2	压缩弹簧 Compression Spring			
26	F96140	2	衬垫 Gasket			
27	F96141	2	弹簧压盖 Spring Gland			
28	C03038-1	1	选档接头 Shifting Connector			

12JS160T 操纵装置总成 12JS160T CONTROL ASSEMBLY

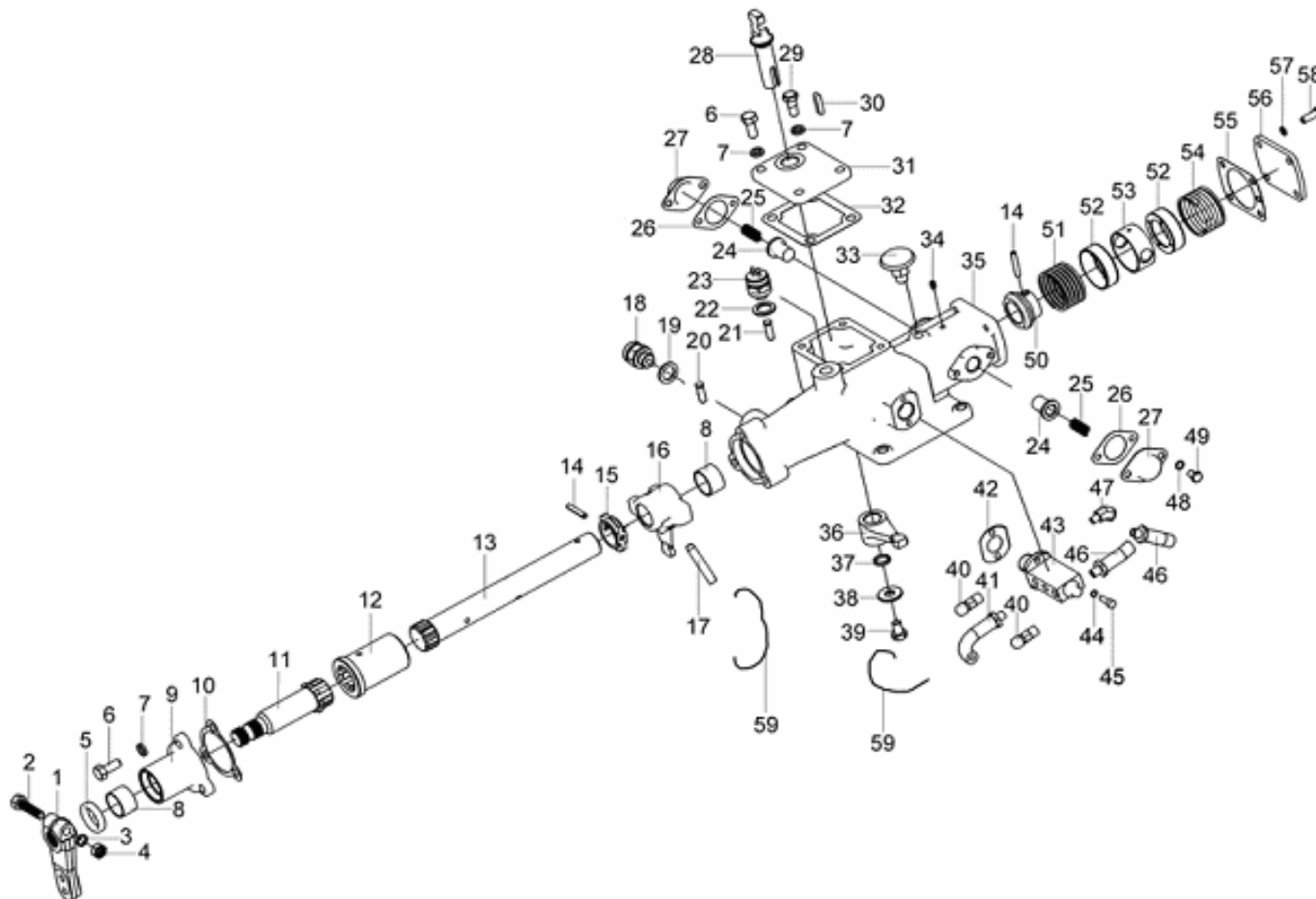
17-AR



序号 No.	件号 Part No.	数量 Quantity	名称 Name	规格 Specification	适用产品 Products Applied	备注 Remark
29	C03040-1	2	定位螺钉 Locating Screw			
30	Q5510628	1	平键 Flat Key			
31	C03036-1	1	窗口盖 Hole Cover			
32	C03037-1	1	窗口衬垫 Hole Gasket			
33	15276	1	通气塞 Ventilation Plug			
34	C03004	1	止动螺钉 Check Screw			
35	F96194-6	1	双 H 操纵装置壳体 Double H Control Case			
36	C03035-1	1	选档拨头 Shifting Switch			
37	HG4-333-66	1	O 型密封圈 (20×2.4) O-Seal Ring(20×2.4)			
38	C03039-1	1	垫圈 Washer			
39	Q170B1016	1	六角头头部带孔螺栓 Hexagon Head Bolt With Hole			
40	7935	2	通气塞 Ventilation Plug			
41	55521	1	气管总成 Tube Assembly			
42	F91353	1	双 H 气阀衬垫 Double H Valve Gasket			

12JS160T 操纵装置总成 12JS160T CONTROL ASSEMBLY

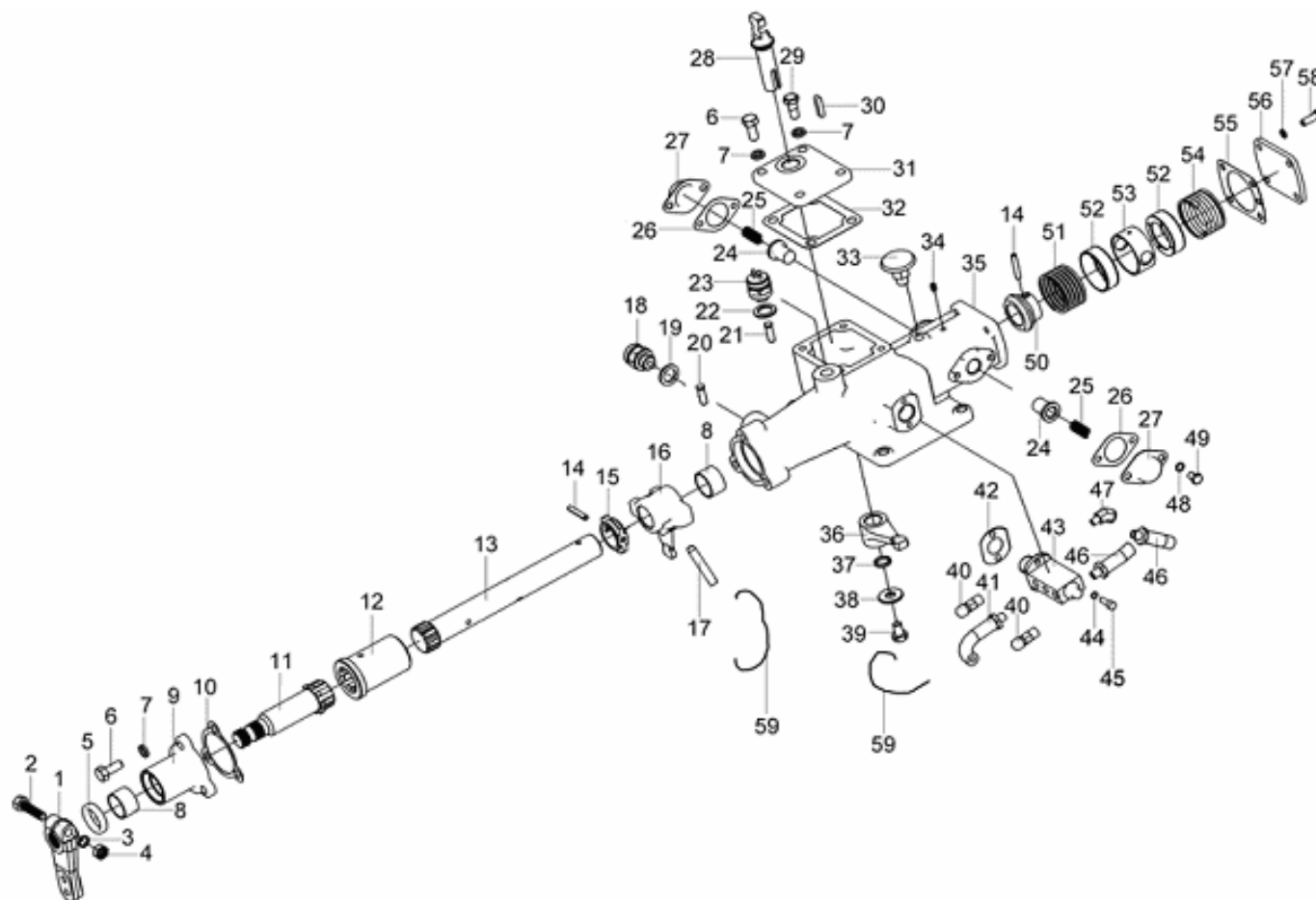
17-AR



序号 No.	件号 Part No.	数量 Quantity	名称 Name	规格 Specification	适用产品 Products Applied	备注 Remark
43	12JS160T-1703022	1	气路控制阀 Air Line Control Valve			
44	Q40306	2	弹簧垫圈 6 Spring Washer 6			
45	GB70-76	2	内六角螺钉 (M6×18) Hexagon Socket Screw(M6×18)			
46	55506	2	气管总成 Tube Assembly			
47	12880	1	45 弯管接头 45°Elbow Connector			
48	Q40308	4	弹簧垫圈 8 Spring Washer 8			
49	GB21-88-M8X12	4	小六角头螺栓 M8×12 Small Hexagon Head Bolt M8×12			
50	F99675	1	定位环 Locating Ring			
51	F96036-1	1	压缩弹簧 Compression Spring			
52	F99673	2	弹簧座 Spring Seat			
53	F99674	1	弹簧隔套 Spring Spacing Sleeve			
54	F99983	1	压缩弹簧 Compression Spring			
55	F99672	1	端垫 End Washer	1		
56	F99666	1	侧板 Side Panel	1		

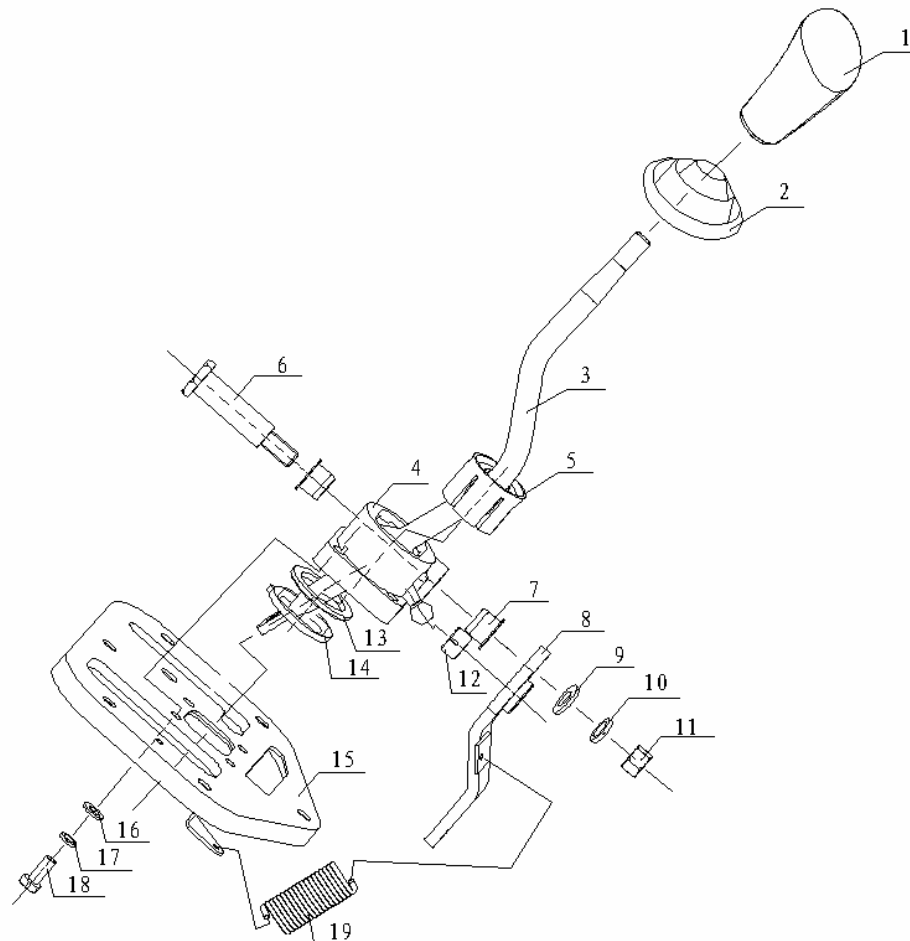
12JS160T 操纵装置总成 12JS160T CONTROL ASSEMBLY

17-AR



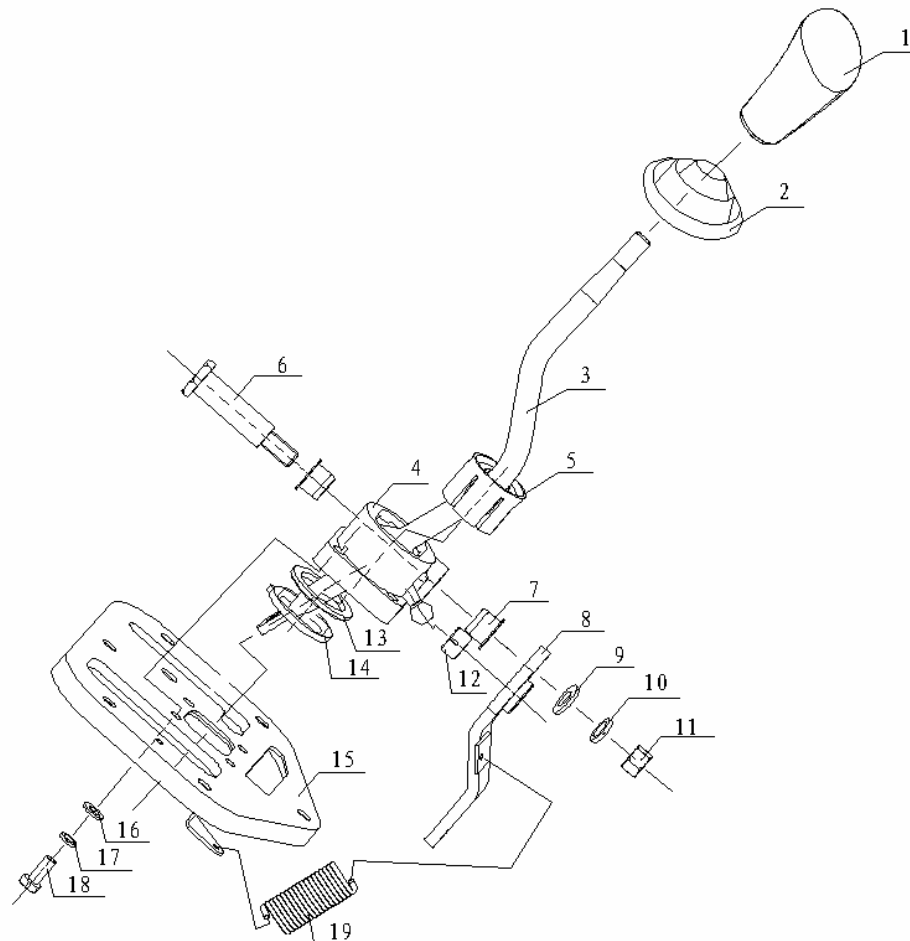
序号 No.	件号 Part No.	数量 Quantity	名称 Name	规格 Specification	适用产品 Products Applied	备注 Remark
57	Q40308	1	弹簧垫圈 8 Spring Washer 8	4		
58	Q150B0522	2	小六角头螺栓 (M8×22) Small Hexagon Head Bolt(M8×22)	4		
59	1819	1	铁丝 Φ1.2 Iron Wire Φ1.2	按需 On-Demand		

变速操纵装置图一 TRANSMISSION CONTROL I

17-AS

序号 No.	件号 Part No.	数量 Quantity	名称 Name	规格 Specification	适用产品 Products Applied	备注 Remark
1	17A4D-03107	1	手柄球头 Handle Ball		9档变速箱 9-Gear Transmission	
	17A3D-03107	1	手柄球头 Handle Ball		DC7J120TD	
2	17AD-03105	1	变速操纵防尘罩 Shift Lever Bellow Dust Cover			
3	17AD-03110	1	操纵杆总成 Shift Lever Assembly			
4	17AD-03137	1	浮动支座 Floating Abutment			
5	17AD-03136	1	大球套 Big Ball Sleeve			
6	17AD-03141	1	螺栓轴销 Bolt Pin			
7	17AD-03142	2	尼龙衬套 Nylon Bush			
8	17A4D-03120	1	选档摇臂总成 Shifting Rocker Arm Assembly		国产动力系列 Domestic Engine Series	
	17AD-03120	1	选档摇臂总成 Shifting Rocker Arm Assembly		进口动力系列 Import Engine Series	
9	Q40112	1	平垫圈 Plate Washer			
10	Q40312	1	弹簧垫圈 Spring Washer			
11	Q340B12	1	I型六角螺母 Hexagon Full Nut			
12	17AD-03135	1	小球套 Small Ball Sleeve			

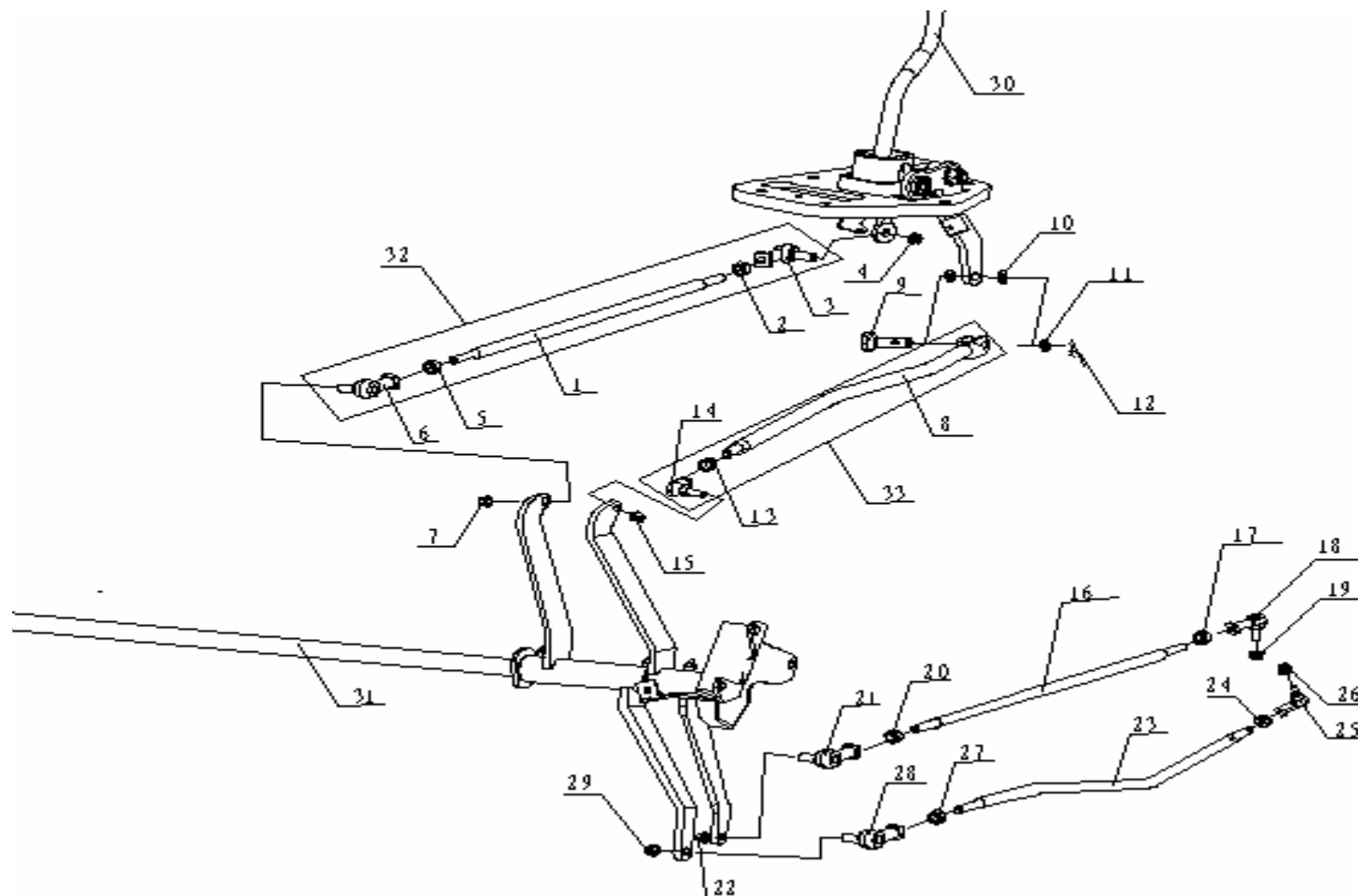
变速操纵装置图一 TRANSMISSION CONTROL I

17-AS

序号 No.	件号 Part No.	数量 Quantity	名称 Name	规格 Specification	适用产品 Products Applied	备注 Remark
13	17AD-03139	1	压紧垫圈 Pressing Washer			
14	17AD-03138	1	限位片 Limiting Plate			
15	17AD-03130	1	安装底板总成 Mounting Bottom Plate Assembly			
16	Q40108	4	平垫圈 Plate Washer			
17	Q40308	4	弹簧垫圈 Spring Washer			
18	Q150B0820	4	六角头螺栓 Hexagon Head Bolt			
19	17AD-03143	1	拉伸弹簧 Extension Spring			

变速器操纵装置图二 TRANSMISSION CONTROL II

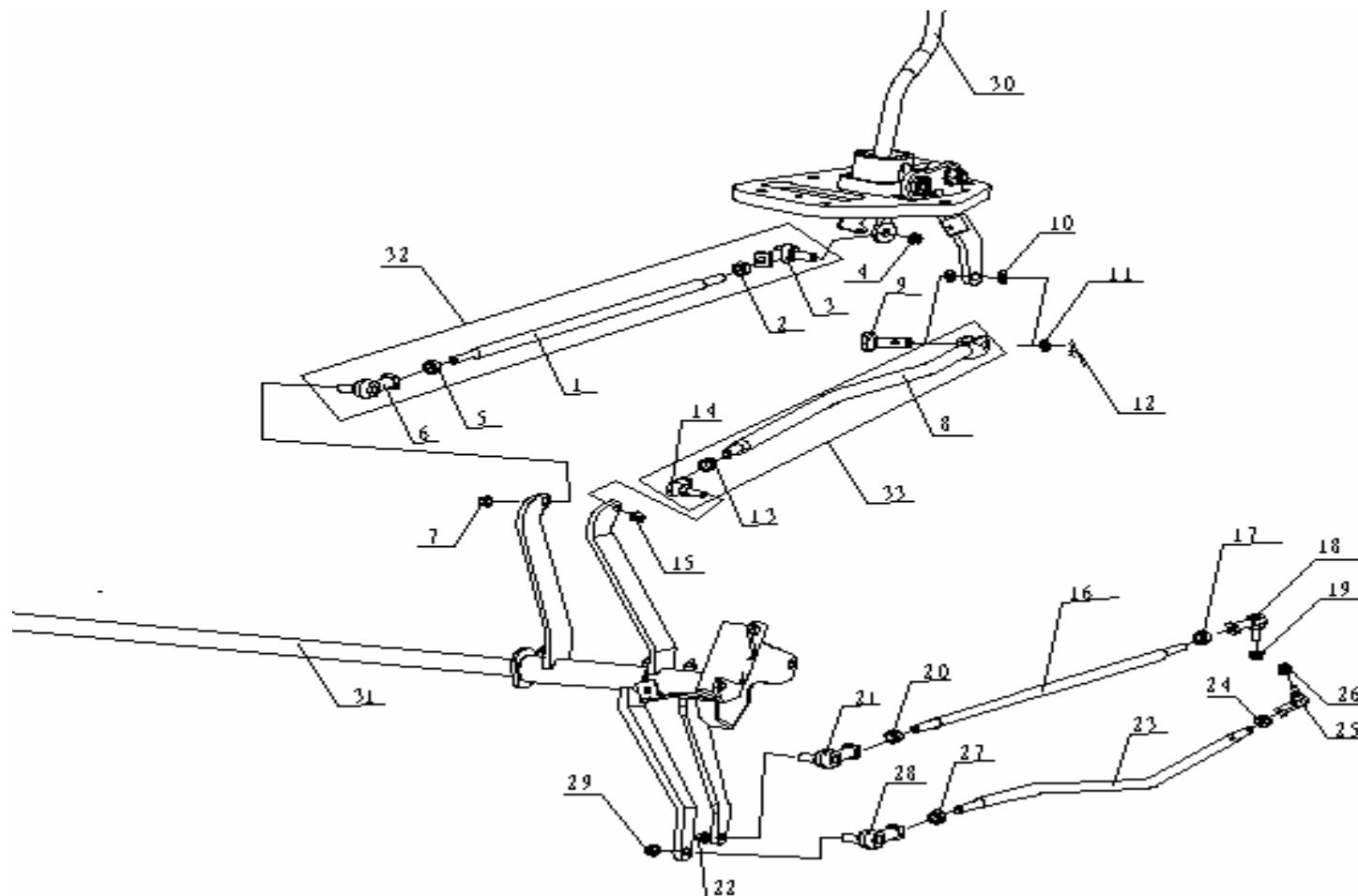
17-AT



序号 No.	件号 Part No.	数量 Quantity	名称 Name	规格 Specification	适用产品 Products Applied	备注 Remark
1	17A4D-03161	1	直杆 Straight Lever			
2	Q341C10	1	I型六角螺母 Hexagon Full Nut			
3	17AD-03165	1	球头组件 Ball End Set			
4	Q33010	1	全金属六角法兰自锁螺母 All-Metal Hexagon Self-Lock Nut With Flange			
5	Q341C10	1	I型六角螺母 Hexagon Full Nut			
6	17AD-03165	1	球头组件 Ball End Set			
7	Q33010	1	全金属六角法兰自锁螺母 All-Metal Hexagon Self-Lock Nut With Flange			
8	17A4D-03151	1	弯杆焊接总成 Bent Lever Welding Assembly			
9	Q5101030	1	销轴 Center Pin			
10	17AD-03157	2	尼龙垫圈 Nylon Washer			
11	Q40010	1	金属垫圈 Metal Washer			
12	Q50110	1	锁销 Lock Pin			
13	Q341C10	1	I型六角螺母 Hexagon Full Nut			
14	17AD-03155	1	球头组件 Ball End Set			

变速器操纵装置图二 TRANSMISSION CONTROL II

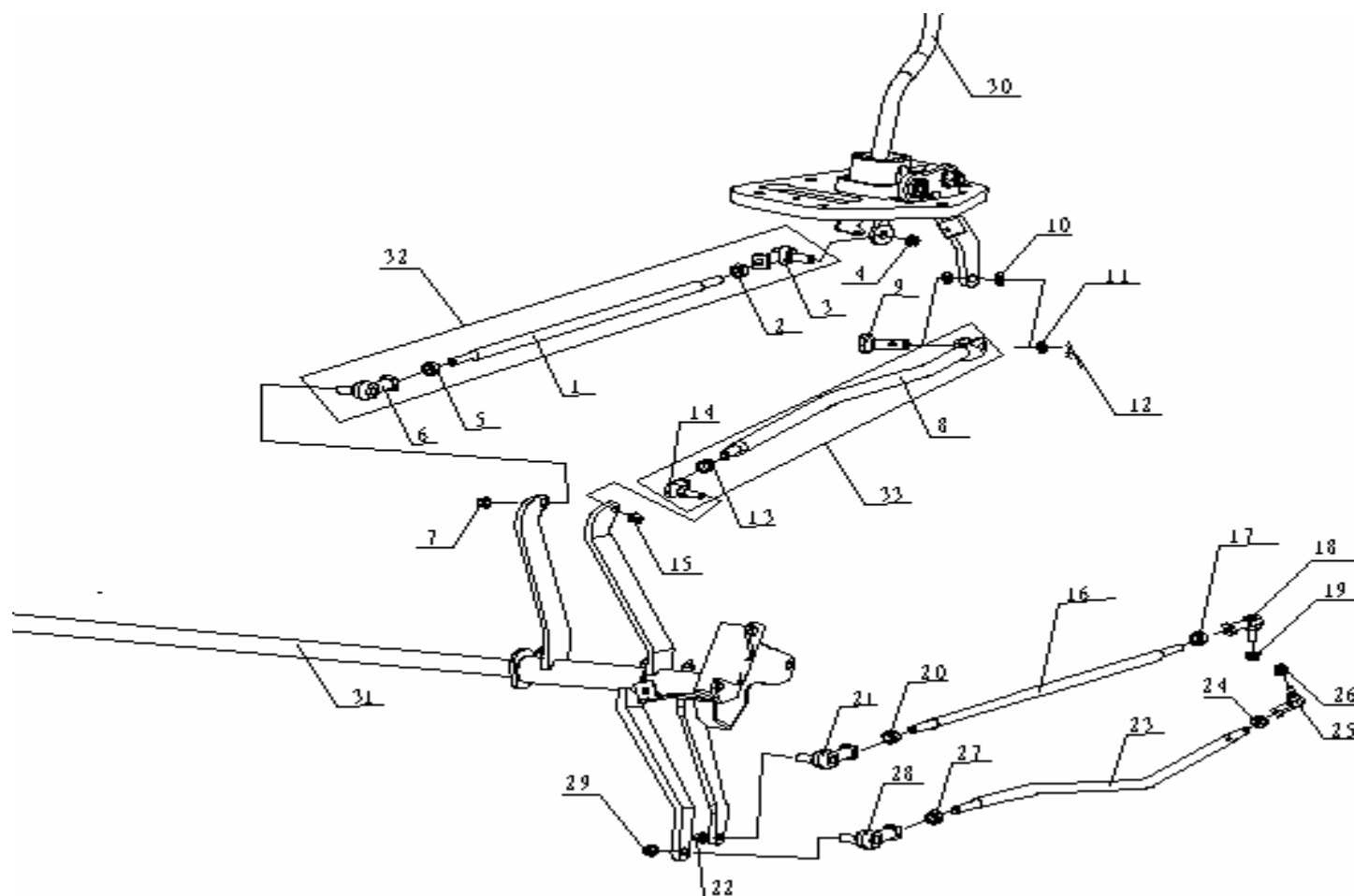
17-AT



序号 No.	件号 Part No.	数量 Quantity	名称 Name	规格 Specification	适用产品 Products Applied	备注 Remark
15	Q33008	1	I 型六角螺母 Hexagon Full Nut			
16	17A4D-03261	1	直杆总成 Straight Lever Assembly			
17	Q341B12	1	I 型六角螺母 Hexagon Full Nut			
18	17A4D-03265	1	球头组件 Ball End Set			
19	Q33010	1	全金属六角法兰自锁紧螺母 All-Metal Hexagon Self-Lock Nut With Flange			
20	17AD-03656	1	I 型六角螺母 Hexagon Full Nut			
21	17AD-03655	1	球头组件 Ball End Set			
22	Q33010	1	全金属六角法兰自锁紧螺母 All-Metal Hexagon Self-Lock Nut With Flange			
23	17A4D-03271	1	弯杆总成 Bent Lever Assembly		康明斯 C 系列车型 CUMMINS C Series	
23	17A5DQ-03271	1	直杆总成 Straight Lever Assembly		WD615.46、WD615.38 车型 WD615.46, WD615.38 Model	
23	17A6DZ-03271	1	弯杆总成 Bent Lever Assembly		斯太尔除 WD615.46、WD615.38 其他车型 STEYR Model Except WD615.46, WD615.38	
23	17A18DQ-03271	1	直杆总成 Straight Lever Assembly		康明斯 L 系列车型 CUMMINS L Series	
24	Q341B12	1	I 型六角螺母 Hexagon Full Nut			

变速器操纵装置图二 TRANSMISSION CONTROL II

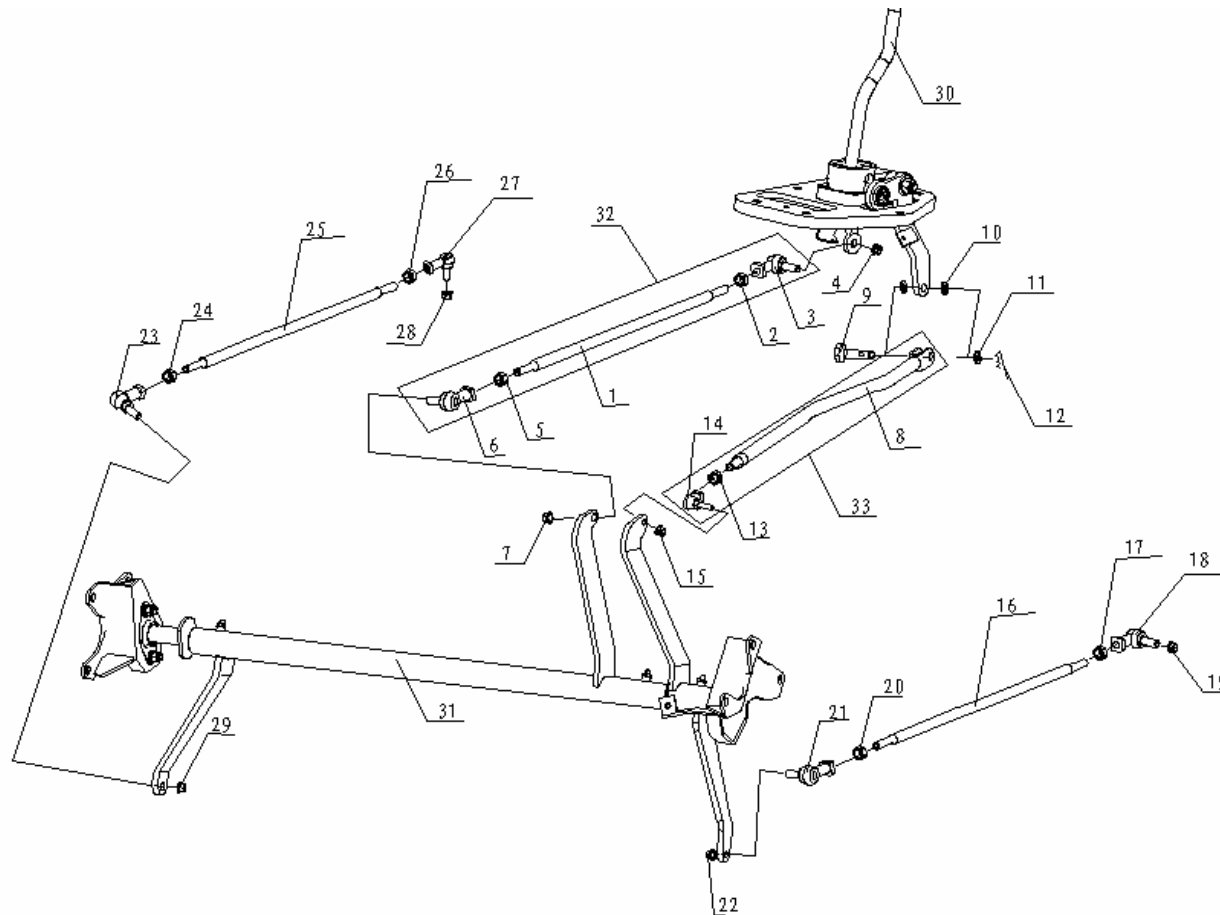
17-AT



序号 No.	件号 Part No.	数量 Quantity	名称 Name	规格 Specification	适用产品 Products Applied	备注 Remark
25	17A4D-03265	1	球头组件 Ball End Set			
26	Q33010	1	全金属六角法兰自锁紧螺母 All-Metal Hexagon Self-Lock Nut With Flange			
27	17AD-03656	1	I型六角螺母 Hexagon Full Nut			
28	17AD-03655	1	球头组件 Ball End Set			
29	Q33010	1	全金属六角法兰自锁紧螺母 All-Metal Hexagon Self-Lock Nut With Flange			
30	17A4D-03100	1	变速操纵杆手柄总成 Shifter Control Handle Assembly			
31	17A4D-03200	1	选、换挡继动摇臂及支架总成 I Selection And Shift Relay Rocker Arm And Bracket Assembly No. 1			
32	17A4D-03160	1	换挡连杆总成 I Shift Lever Assembly No.1			
33	17A4D-03150	1	选档连杆总成 I Selection Lever Assembly No.1			

变速器操纵装置图二 TRANSMISSION CONTROL II

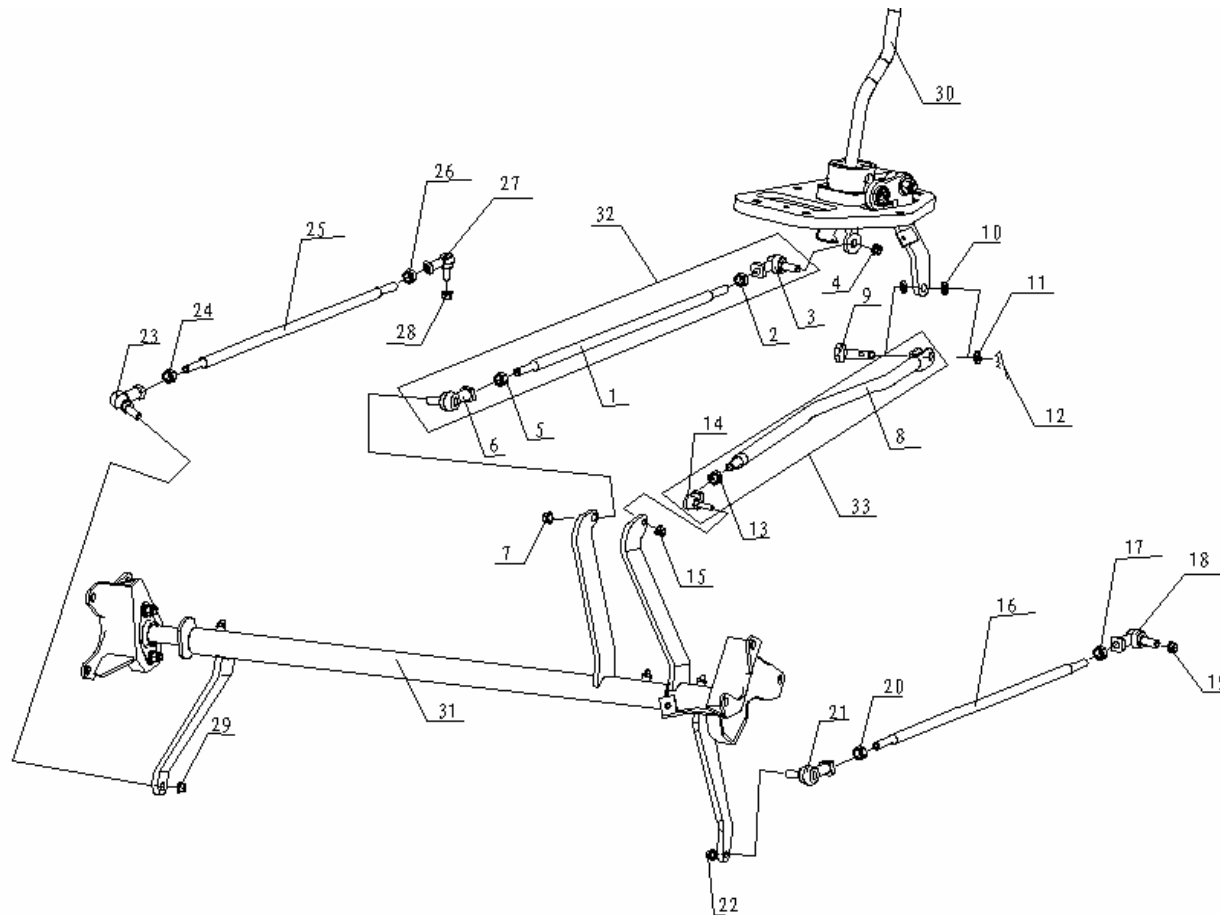
17-AU



序号 No.	件号 Part No.	数量 Quantity	名称 Name	规格 Specification	适用产品 Products Applied	备注 Remark
19	Q33010	1	全金属六角法兰自锁紧螺母 All-Metal Hexagon Self-Lock Nut With Flange			
20	17AD-03656	1	I型六角螺母 Hexagon Full Nut			
21	17AD-03655	1	球头组件 Ball End Set			
22	Q33010	1	全金属六角法兰自锁紧螺母 All-Metal Hexagon Self-Lock Nut With Flange			
23	17AD-03165	1	球头组件 Ball End Set		17A7DP-03271	
24	Q341C10	1	I型六角螺母 Hexagon Full Nut			
25	17A7DP-03271	1	弯杆总成 Bent Lever Assembly			
26	17AD-03656	1	I型六角螺母 Hexagon Full Nut			
27	17AD-03655	1	球头组件 Ball End Set			
28	Q33010	1	全金属六角法兰自锁紧螺母 All-Metal Hexagon Self-Lock Nut With Flange			
29	Q33010	1	全金属六角法兰自锁紧螺母 All-Metal Hexagon Self-Lock Nut With Flange			
30	17A4D-03100	1	变速操纵杆手柄总成 Shifter Control Handle Assembly			

变速器操纵装置图二 TRANSMISSION CONTROL II

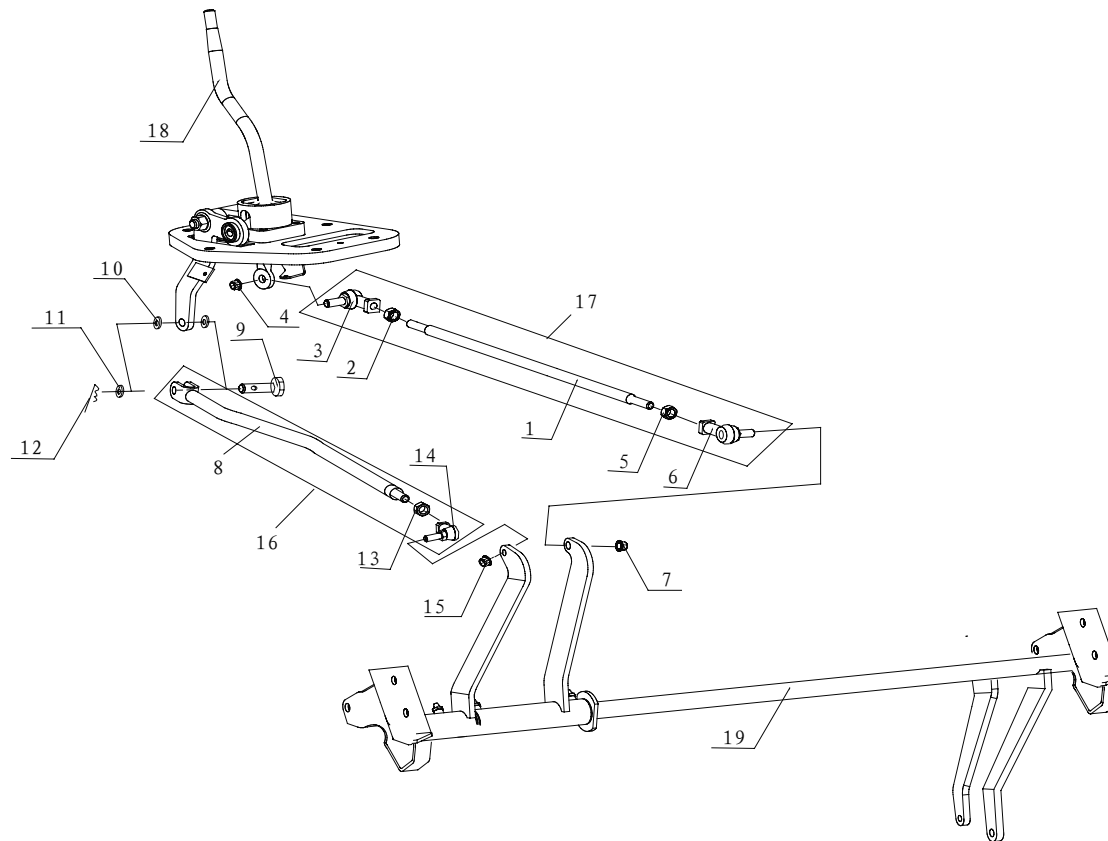
17-AU



序号 No.	件号 Part No.	数量 Quantity	名称 Name	规格 Specification	适用产品 Products Applied	备注 Remark
32	17A4D-03160	1	换挡连杆总成 I Shift Lever Assembly No.1			
33	17A4D-03150	1	选档连杆总成 I Selection Lever Assembly No.1			

右驾车型变速器操纵装置图一
TRANSMISSION CONTROL SYSTEM I OF RHD

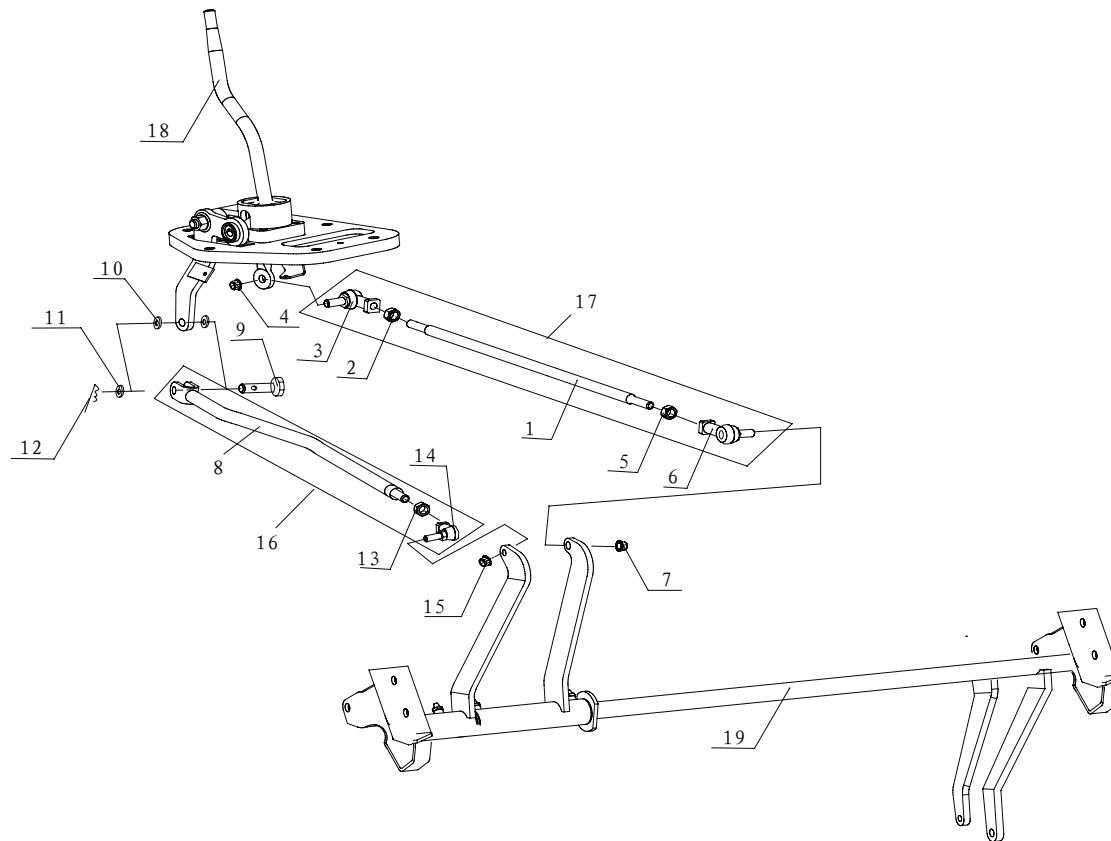
17-AV



序号 No.	件号 Part No.	数量 Quantity	名称 Name	规格 Specification	适用产品 Products Applied	备注 Remark
1	17A3D-03161	1	直杆 Straight Lever			
2	Q341C10	1	I型六角螺母 Hexagon Full Nut			
3	17AD-03165	1	球头组件 Ball End Set			
4	Q33010	1	全金属六角法兰自锁螺母 All-Metal Hexagon Self-Lock Nut With Flange			
5	Q341C10	1	I型六角螺母 Hexagon Full Nut			
6	17AD-03165	1	球头组件 Ball End Set			
7	Q33010	1	全金属六角法兰自锁螺母 All-Metal Hexagon Self-Lock Nut With Flange			
8	17ADY-03151	1	弯杆焊接总成 Bent Lever Welding Assembly			
9	Q5101030	1	销轴 Center Pin			
10	17AD-03157	2	尼龙垫圈 Nylon Washer			
11	Q40010	1	金属垫圈 Metal Washer			
12	Q50110	1	锁销 Lock Pin			
13	Q341C10	1	I型六角螺母 Hexagon Full Nut			
14	17AD-03155	1	球头组件 Ball End Set			

右驾车型变速器操纵装置图一
TRANSMISSION CONTROL SYSTEM I OF RHD

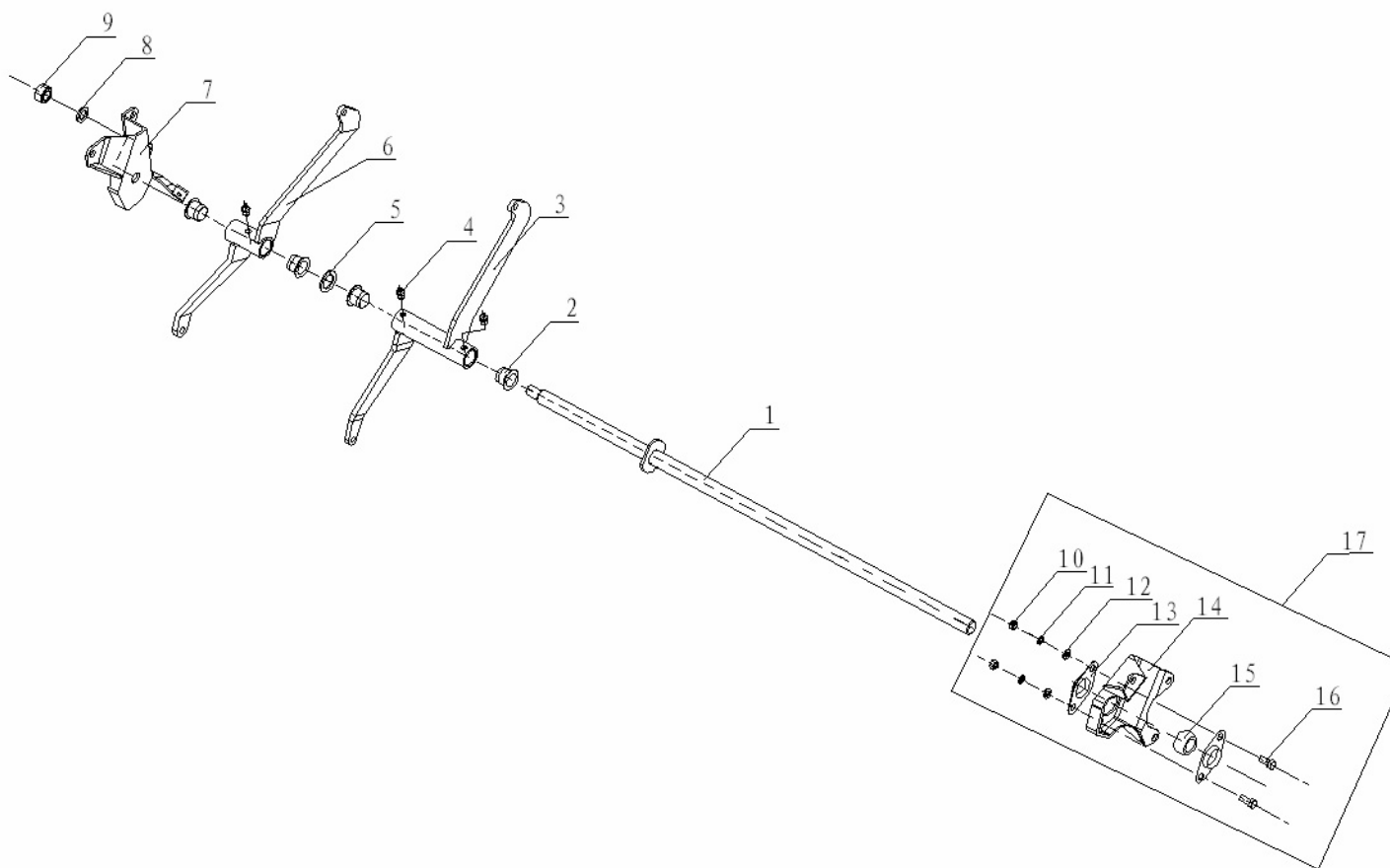
17-AV



序号 No.	件号 Part No.	数量 Quantity	名称 Name	规格 Specification	适用产品 Products Applied	备注 Remark
15	Q33008	1	I 型六角螺母 Hexagon Full Nut			
16	17ADY-03150	1	选档杆 I Selection Lever No.1		右驾车型 RHD	
17	17A3D-03160	1	换档杆 I Shift Lever No.1			
18	17A4DY-03100	1	变速操纵手柄总成 Speed Change Operating Handle Assembly		非 ZF 变速箱右驾车型 Non-ZF Transmission of RHD	
18	17ADY-03100	1	变速操纵手柄总成 Speed Change Operating Handle Assembly		ZF 变速箱右驾车型 ZF Transmission of RHD	
19	17ADY-03200	1	选换档继动摇臂及支架总成 Selection and Shift Relay Rocker Arm and Bracket Assembly		右驾车型 RHD	

选、换挡继动摇臂及支架总成 I
SELECTION AND SHIFT RELAY ROCKER ARM AND BRACKET ASSEMBLY I

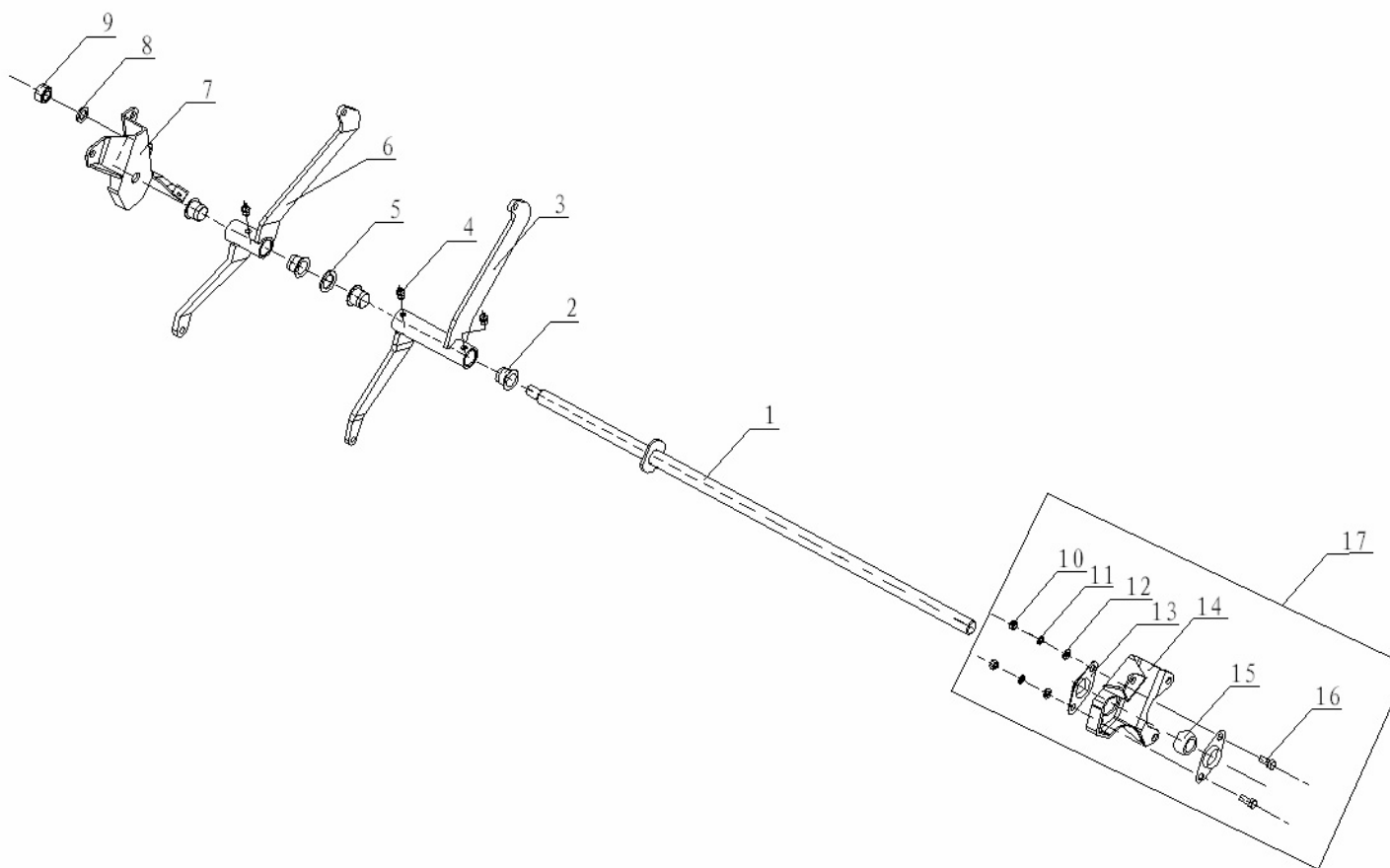
17-AW



序号 No.	件号 Part No.	数量 Quantity	名称 Name	规格 Specification	适用产品 Products Applied	备注 Remark
	17AD-03200	1	选、换挡继动摇臂及支架总成 I Selection And Shift Relay Rocker Arm And Bracket Assembly No. 1			
1	17AD-03210	1	摇臂轴总成 Rocker Arm Shaft Assembly			
2	17AD-03224	4	尼龙衬套 Nylon Bush			
3	17A4D-03230	1	换挡继动摇臂总成 Shift Relay Rocker Arm Assembly			
4	Q700B01	3	直通式滑脂嘴 Straight Grease Nipple			
5	17AD-03237	1	垫片(白) Shim(White)			
6	17A4D-03220	1	选档继动摇臂总成 Selection Relay Rocker Arm Assembly			
7	17AD-03240	1	左支架焊接件总成 Bracket Weldment Assembly LH			
8	Q40316	1	弹簧垫圈 Spring Washer			
9	Q341B16	1	I型六角螺母 Hexagon Full Nut			
10	Q340B08	2	I型六角螺母 Hexagon Full Nut			
11	Q40308	2	弹簧垫圈 Spring Washer			
12	Q40108	2	平垫圈 Plate Washer			
13	17AD-03255	2	法兰球座 Flange Ball Seat			

选、换挡继动摇臂及支架总成 I
SELECTION AND SHIFT RELAY ROCKER ARM AND BRACKET ASSEMBLY I

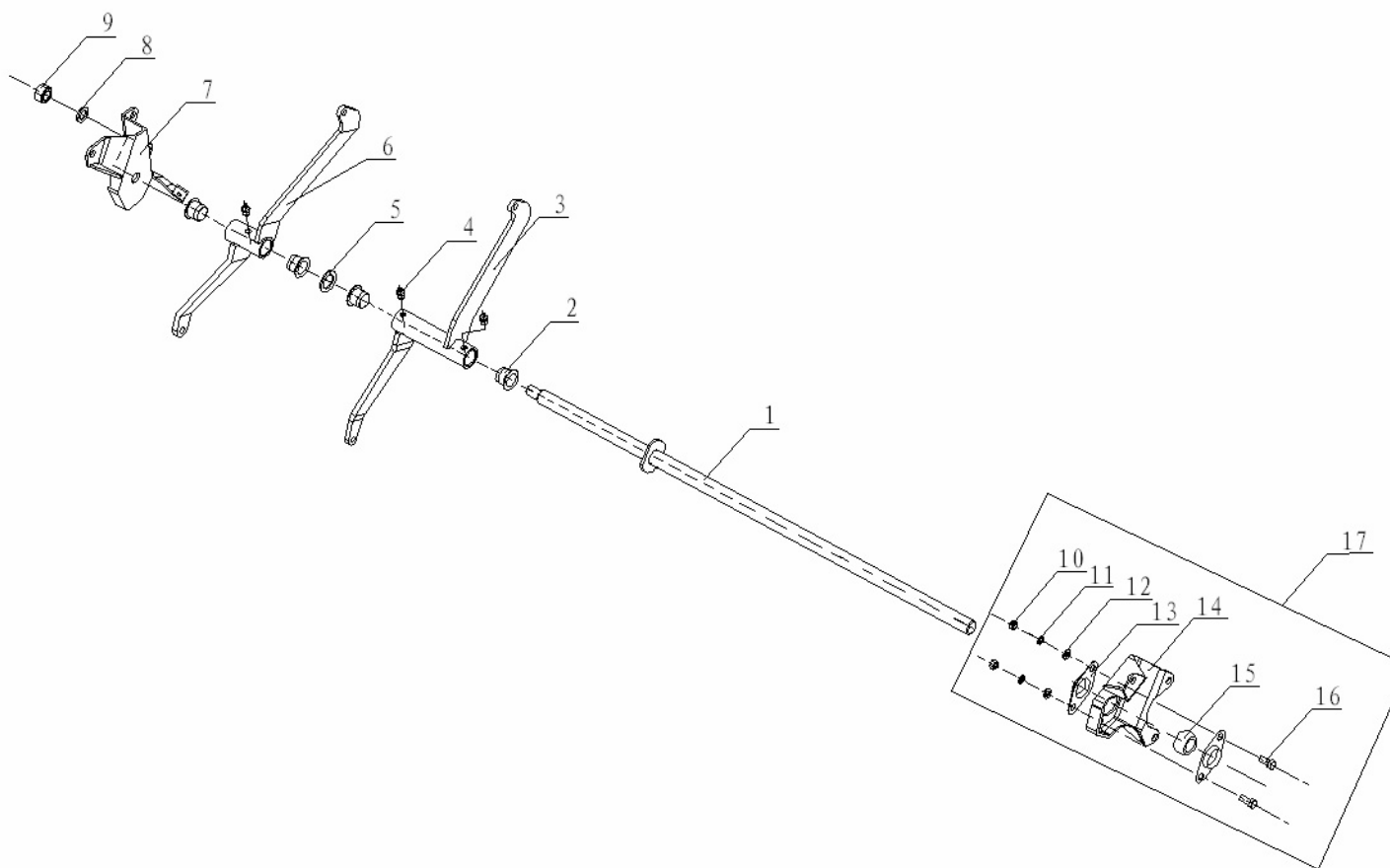
17-AW



序号 No.	件号 Part No.	数量 Quantity	名称 Name	规格 Specification	适用产品 Products Applied	备注 Remark
14	17AD-03250	1	右支架焊接件总成 Bracket Weldment Assembly RH			
15	17AD-03254	1	球型支撑 Ball Joint			
16	Q150B0820	2	六角头螺栓 Hexagon Head Bolt			
17	17AD-03250	1	右支架焊接件总成 Bracket Weldment Assembly RH			

选、换挡继动摇臂及支架总成 I
SELECTION AND SHIFT RELAY ROCKER ARM AND BRACKET ASSEMBLY I

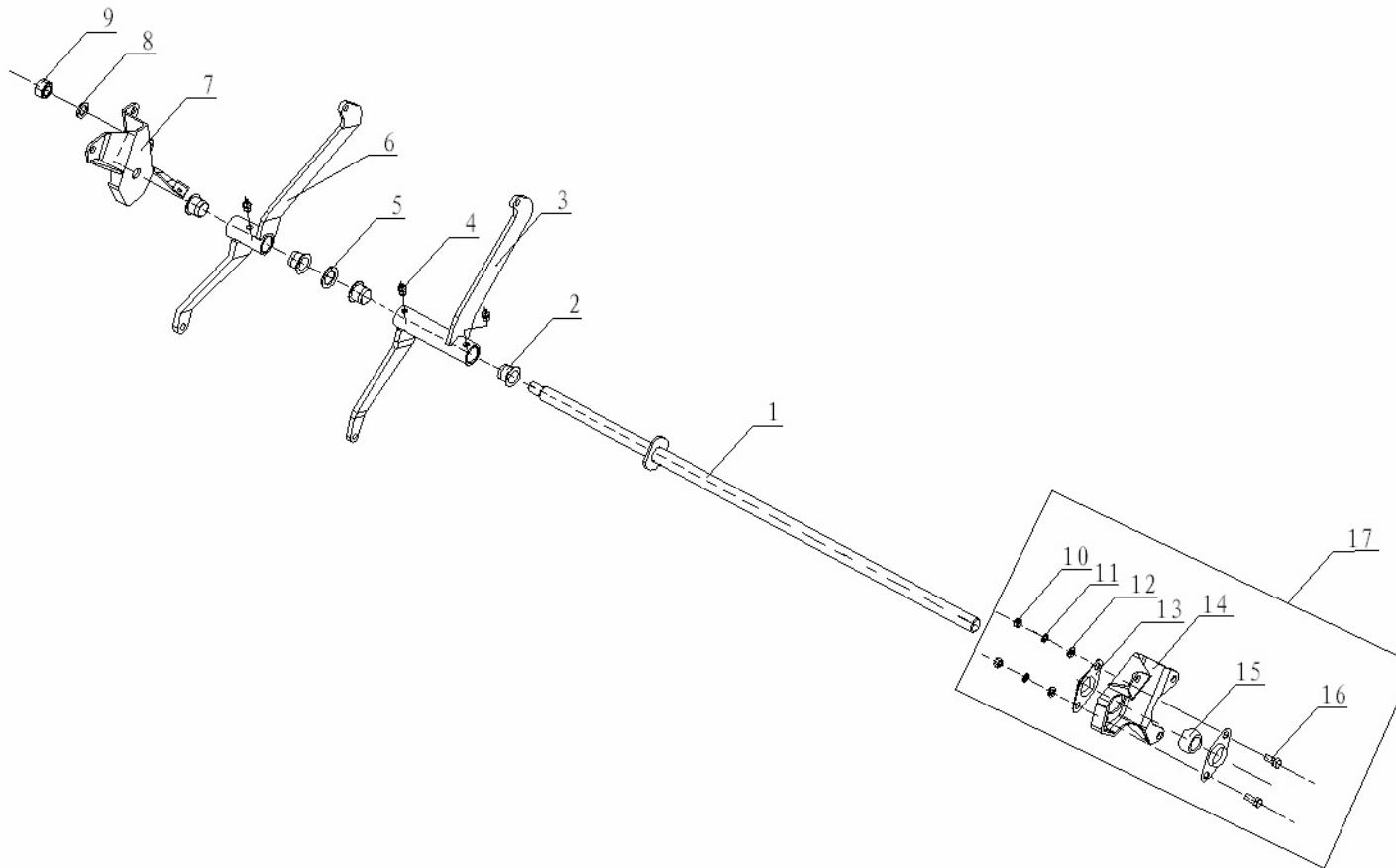
17-AX



序号 No.	件号 Part No.	数量 Quantity	名称 Name	规格 Specification	适用产品 Products Applied	备注 Remark
	17A7DP-03200	1	选、换挡继动摇臂及支架总成 I Selection And Shift Relay Rocker Arm And Bracket Assembly No. 1			
1	17A7DP-03210	1	摇臂轴总成 Rocker Arm Shaft Assembly			
2	17AD-03224	4	尼龙衬套 Nylon Bush			
3	17A7DP-03230	1	换挡继动摇臂总成 Shift Relay Rocker Arm Assembly			
4	Q700B01	3	直通式滑脂嘴 Straight Grease Nipple			
5	17AD-03237	1	垫片(白) Shim(White)			
6	17A7DP-03220	1	选档继动摇臂总成 Selection Relay Rocker Arm Assembly			
7	17AD-03240	1	左支架焊接件总成 Bracket Weldment Assembly LH			
8	Q40316	1	弹簧垫圈 Spring Washer			
9	Q341B16	1	I型六角螺母 Hexagon Full Nut			
10	Q340B08	2	I型六角螺母 Hexagon Full Nut			
11	Q40308	2	弹簧垫圈 Spring Washer			
12	Q40108	2	平垫圈 Plate Washer			
13	17AD-03255	2	法兰球座 Flange Ball Seat			

选、换挡继动摇臂及支架总成 I

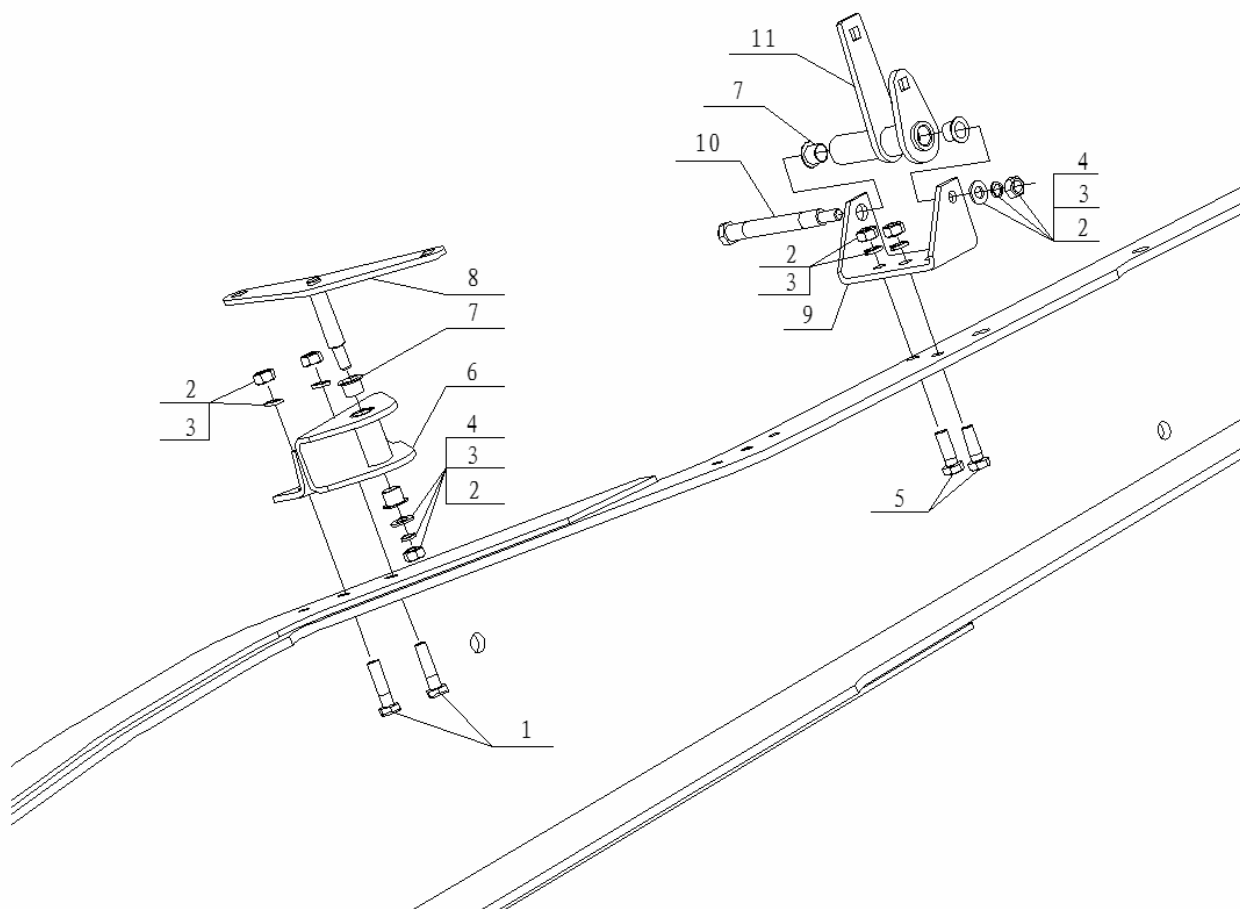
SELECTION AND SHIFT RELAY ROCKER ARM AND BRACKET ASSEMBLY I

17-AX

序号 No.	件号 Part No.	数量 Quantity	名称 Name	规格 Specification	适用产品 Products Applied	备注 Remark
14	17AD-03250	1	右支架焊接件总成 Bracket Weldment Assembly RH			
15	17AD-03254	1	球型支撑 Ball Joint			
16	Q150B0820	2	六角头螺栓 Hexagon Head Bolt			
17	17AD-03250	1	右支架焊接件总成 Bracket Weldment Assembly RH			

选档摇臂总成 II、换档摇臂总成 II
SELECTION ROCKER ARM ASSEMBLY II , SHIFT ROCKER ARM ASSEMBLY II

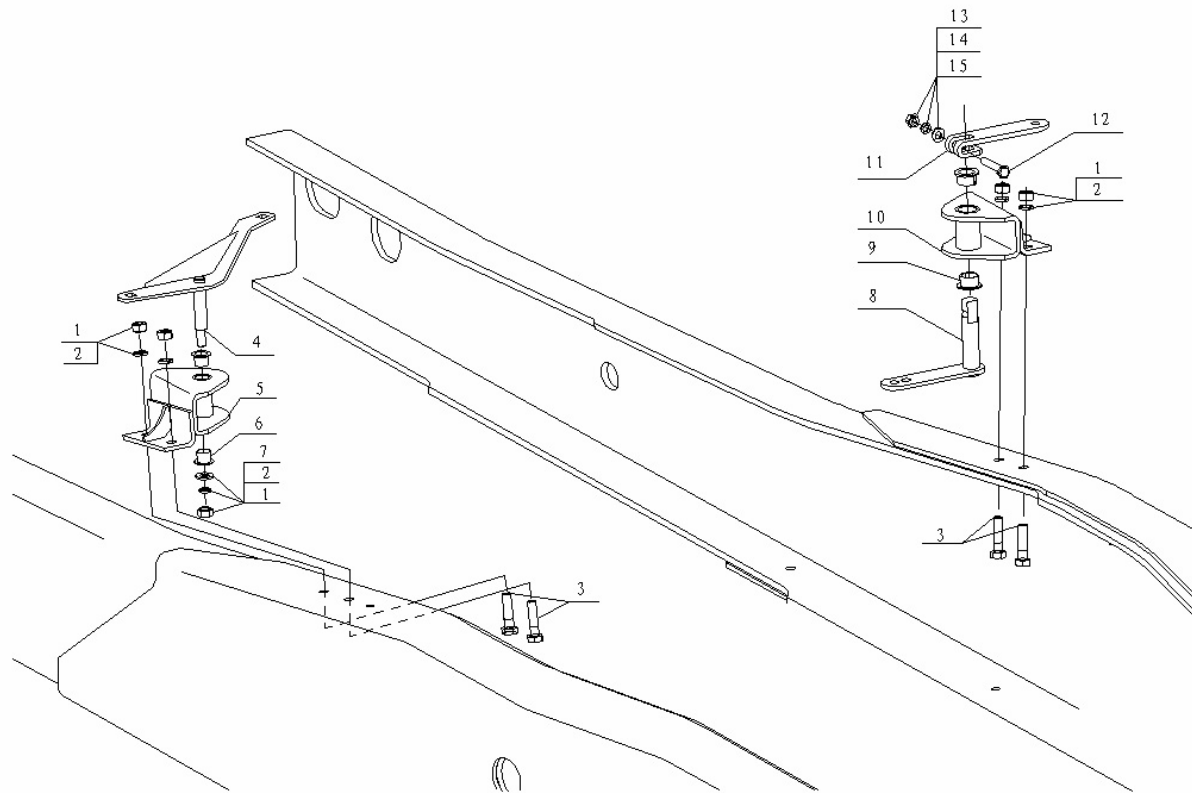
17-AY



序号 No.	件号 Part No.	数量 Quantity	名称 Name	规格 Specification	适用产品 Products Applied	备注 Remark
1	Q150B1040	2	六角头螺栓 Hexagon Head Bolt			
2	Q340B10	6	I型六角螺母 Hexagon Full Nut			
3	Q40310	6	弹簧垫圈 Spring Washer			
4	Q40110	2	平垫圈 Plate Washer			
5	Q150B1030	2	六角头螺栓 Hexagon Head Bolt			
6	17A4DQ-03320	1	支架焊接总成 Bracket Welding Assembly			
7	17A3D-03342	4	尼龙衬套 Nylon Bush			
8	17A18DQ-03310	1	摇臂焊接总成 Rocker Arm Welding Assembly		康明斯 L375 和 L345 牵引车系列车型 CUMMINS L375 And L345 Tractor Series	
	17A21D-03310	1	摇臂焊接总成 Rocker Arm Welding Assembly		康明斯 L345 搅拌车系列车型 CUMMINS L345 Mixer Series	
	17A4D-03310	1	摇臂焊接总成 Rocker Arm Welding Assembly		康明斯 C 系列车型和斯太尔车型 CUMMINS C Series And STEYR	
9	17A4D-03425	1	支架 Bracket			
10	17A3D-03341	1	螺栓轴销 Bolt Pin			
11	17A4D-03410	1	摇臂组焊件 Rocker Arm Set Weldment			

选档摇臂总成 II、换档摇臂总成 II
SELECTION ROCKER ARM ASSEMBLY II , SHIFT ROCKER ARM ASSEMBLY II

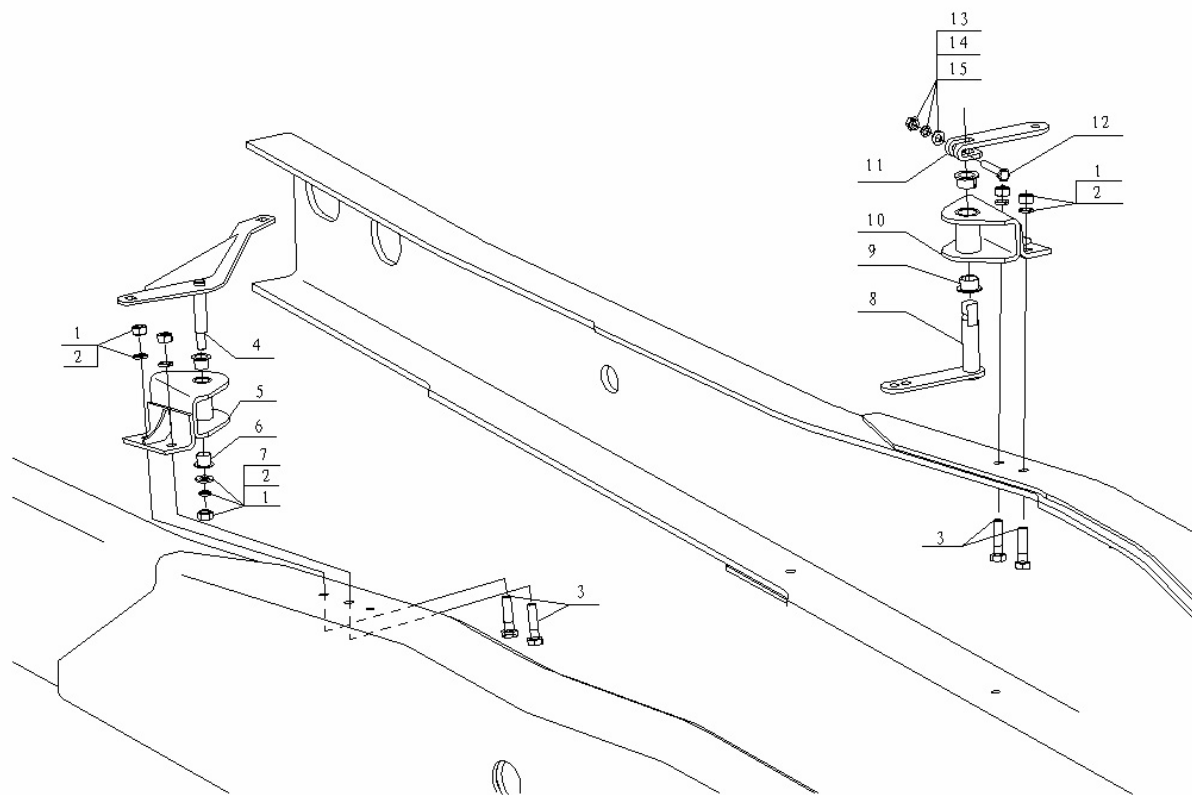
17-AZ



序号 No.	件号 Part No.	数量 Quantity	名称 Name	规格 Specification	适用产品 Products Applied	备注 Remark
1	Q340B10	4	六角螺母 Hexagon Nut			
2	Q40310	4	弹簧垫圈 Spring Washer			
3	Q150B1040	4	六角头螺栓 Hexagon Head Bolt			
4	17A4D-03310	1	摇臂焊接总成 Rocker Arm Welding Assembly			
5	17A4D-03320	1	支架焊接总成 Bracket Welding Assembly			
6	17A3D-03342	2	尼龙衬套 Nylon Bush			
7	Q40010	1	平垫圈 Plate Washer			
8	17A7DP-03410	1	摇臂焊接总成 Rocker Arm Welding Assembly			
9	17A7DP-03426	2	尼龙衬套 Nylon Bush			
10	17A7DP-03420	1	支架焊接总成 Bracket Welding Assembly			
11	17A7DP-03425	1	摇臂 I Rocker Arm No.1			
12	Q1840845	1	六角法兰面螺栓 Hexagon Bolt With Flange			
13	Q340B08	1	六角螺母 Hexagon Nut			
14	Q40308	1	弹簧垫圈 Spring Washer			

选档摇臂总成 II、换档摇臂总成 II
SELECTION ROCKER ARM ASSEMBLY II , SHIFT ROCKER ARM ASSEMBLY II

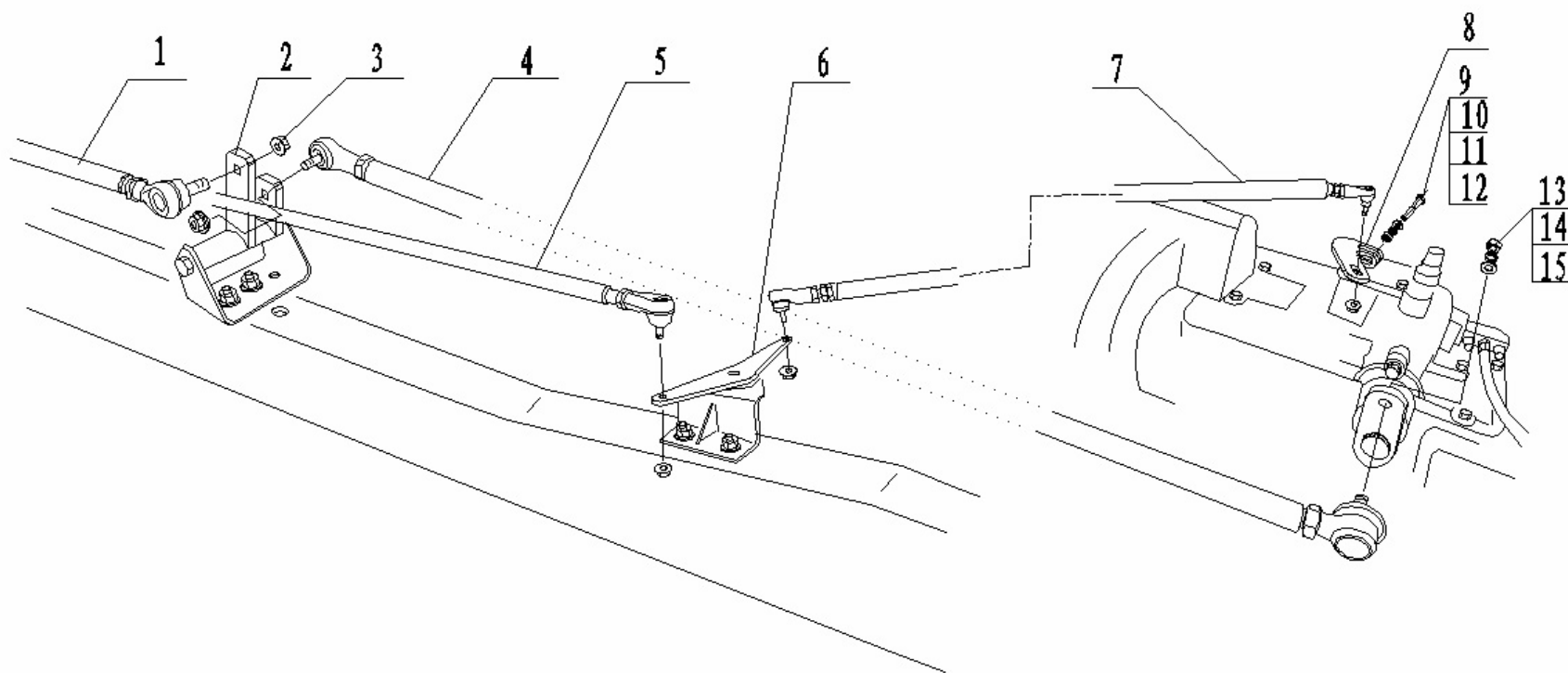
17-AZ



序号 No.	件号 Part No.	数量 Quantity	名称 Name	规格 Specification	适用产品 Products Applied	备注 Remark
15	Q40008	1	平垫圈 Plate Washer			

变速器操纵装置图三 TRANSMISSION CONTROL III

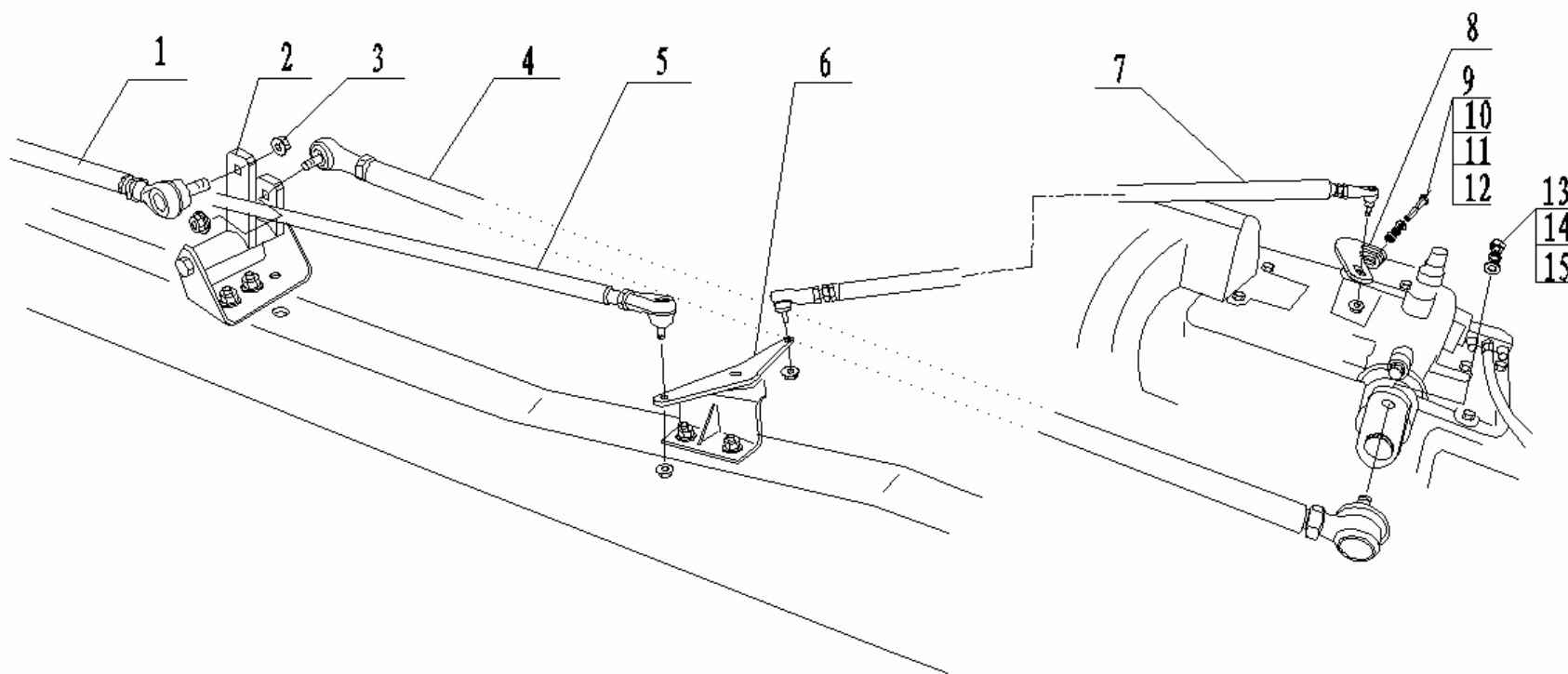
17-BA



序号 No.	件号 Part No.	数量 Quantity	名称 Name	规格 Specification	适用产品 Products Applied	备注 Remark
1	17A4D-03270	1	换挡连杆总成 2 Shift Lever Assembly No.2		康明斯 C 系列车型 CUMMINS C Series	
	17A5DQ-03270	1	换挡连杆总成 2 Shift Lever Assembly No.2		WD615.46、WD615.38 车型 WD615.46, WD615.38 Model	
	17A6DZ-03270	1	换挡连杆总成 2 Shift Lever Assembly No.2		斯太尔非 WD615.46、WD615.38 车型 STEYR Models Except WD615.46, WD615.38	
	17A18DQ-03270	1	换挡连杆总成 2 Shift Lever Assembly No.2		康明斯 L 系列车型 CUMMINS L Series	
2	17A4D-03400	1	换挡摇臂总成 2 Shift Rocker Arm Assembly No.2			
3	Q33010	5	全金属六角法兰面自锁螺母 All-Metal Hexagon Self-Lock Nut With Flange			
4	17A18DQ-03450	1	换挡连杆总成 3 Shift Lever Assembly No.3		康明斯 L375 牵引车系列车型 CUMMINS L375 Tractor Series	
	17A10DZ-03450	1	换挡连杆总成 3 Shift Lever Assembly No.3		康明斯非搅拌车系列车型 (L375 除外) CUMMINS Non-Mixer Series(Except L375)	
	17A4D-03450	1	换挡连杆总成 3 Shift Lever Assembly No.3		康明斯搅拌车系列车型 CUMMINS Mixer Series	
	17A5DQ-03450	1	换挡连杆总成 3 Shift Lever Assembly No.3		WD615.46、WD615.38 牵引车车型 WD615.46, WD615.38 Tractor	
	17A6DZ-03450	1	换挡连杆总成 3 Shift Lever Assembly No.3		斯太尔非搅拌车车型 (WD615.46、WD615.38 除外) /STEYR Non-Mixer (Except WD615.46, WD615.38)	
	17A17D-03480	1	换挡连杆总成 3 Shift Lever Assembly No.3		斯泰尔 350 马力以上搅拌车 STEYR Over 350Ps Mixer	
	17A17D-03450	1	换挡连杆总成 3 Shift Lever Assembly No.3		斯泰尔 350 马力以下搅拌车 STEYR Under 350Ps Mixer	

变速器操纵装置图三
TRANSMISSION CONTROL III

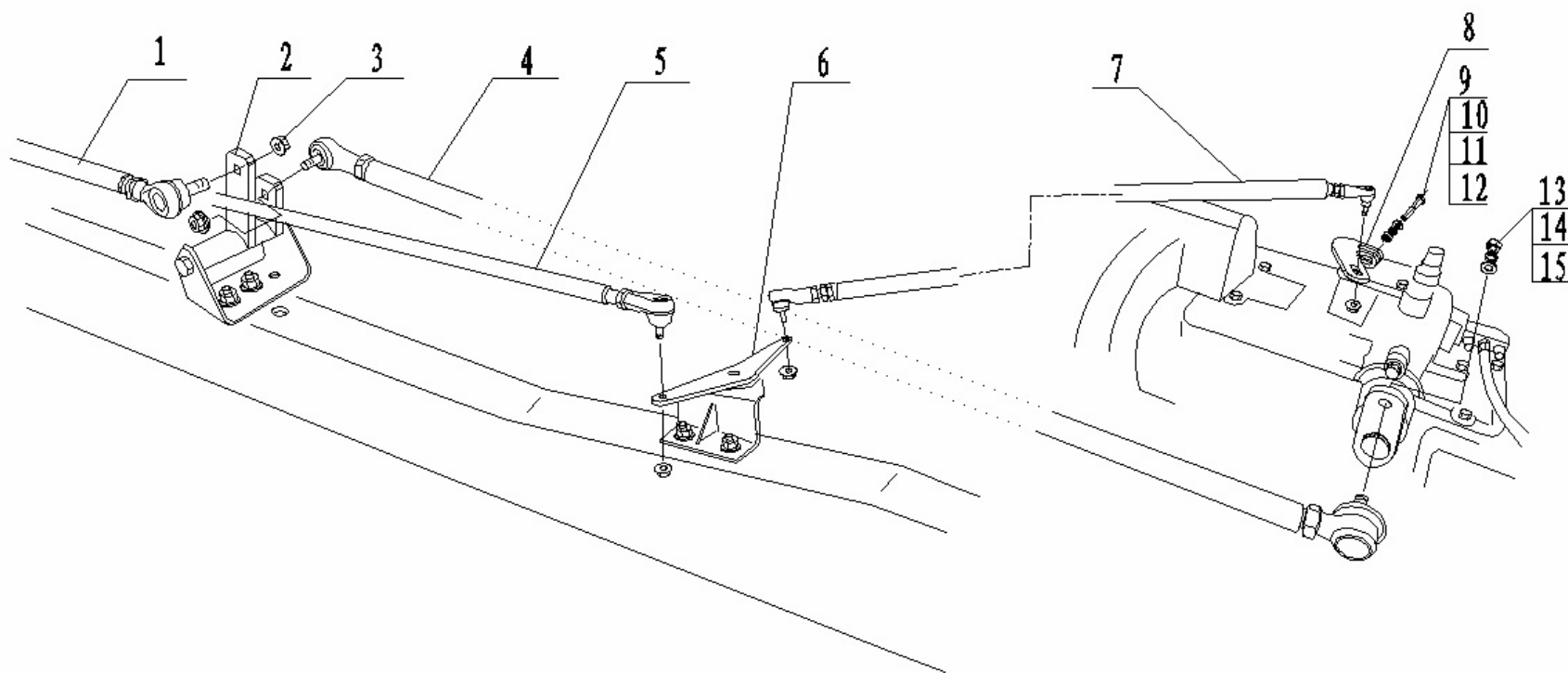
17-BA



序号 No.	件号 Part No.	数量 Quantity	名称 Name	规格 Specification	适用产品 Products Applied	备注 Remark
5	17A4D-03260	1	选档连杆总成 2 Selection Lever Assembly No.2			
6	17A18DQ-03300	1	选档摇臂总成 2 Selection Rocker Arm Assembly No.2		康明斯 L375 和 L345 牵引车系列车型 CUMMINS L375 And L345 Tractor	
	17A21D-03300	1	选档摇臂总成 2 Selection Rocker Arm Assembly No.2		康明斯 L345 搅拌车系列车型 CUMMINS L345 Mixer	
	17A4D-03300	1	选档摇臂总成 2 Selection Rocker Arm Assembly No.2		康明斯 C 系列车型和斯太尔车型 CUMMINS C Series And STEYR	
7	17A18DQ-03440	1	选档连杆总成 3 Selection Lever Assembly No.3		康明斯 L375 牵引车系列车型 CUMMINS L375 Tractor	
	17A10DZ-03440	1	选档连杆总成 3 Selection Lever Assembly No.3		康明斯非搅拌车系列车型 (L375 除外) CUMMINS Non-Mixer (Except L375)	
	17A4D-03440	1	选档连杆总成 3 Selection Lever Assembly No.3		康明斯搅拌车系列车型 CUMMINS Mixer	
	17A5DQ-03440	1	选档连杆总成 3 Selection Lever Assembly No.3		WD615.46、WD615.38 牵引车车型 WD615.46, WD615.38 Tractor	
	17A6DZ-03440	1	选档连杆总成 3 Selection Lever Assembly No.3		斯太尔除 WD615.46、WD615.38 以外其他非 搅拌车车型 /STEYR Non-Mixer (Except WD615.46, WD615.38)	
	17A17D-03470	1	选档连杆总成 3 Selection Lever Assembly No.3		斯太尔 350 马力以上搅拌车 STEYR Over 350Ps Mixer	
	17A17D-03440	1	选档连杆总成 3 Selection Lever Assembly No.3		斯太尔 350 马力以下搅拌车 STEYR Under 350Ps Mixer	
8	17A4D-03501	1	选档摇臂 3 Selection Rocker Arm No.3			
9	Q1840845	1	六角法兰面螺栓 Hexagon Bolt With Flange			

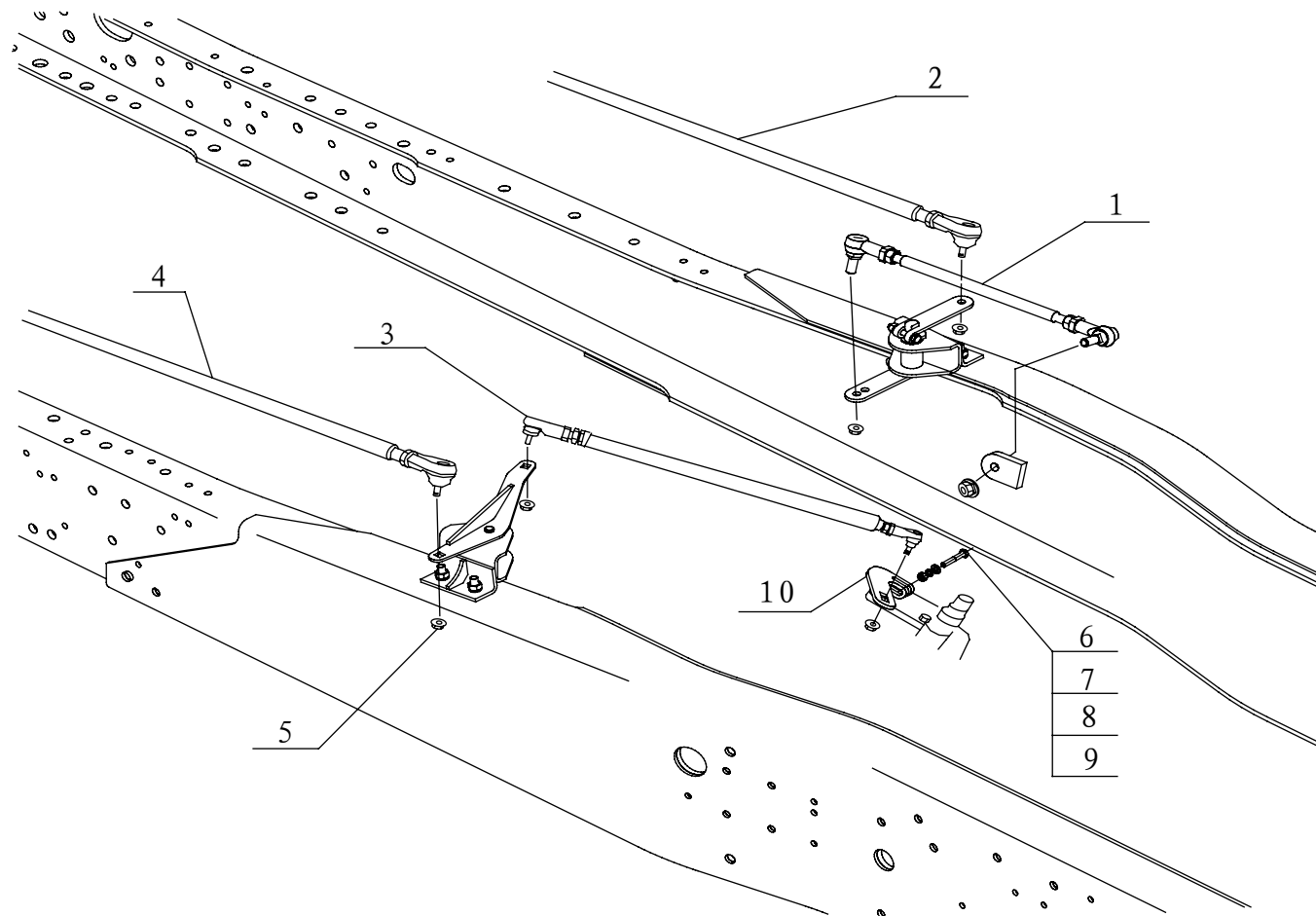
变速器操纵装置图三
TRANSMISSION CONTROL III

17-BA



序号 No.	件号 Part No.	数量 Quantity	名称 Name	规格 Specification	适用产品 Products Applied	备注 Remark
10	Q40108	1	平垫圈 Plate Washer			
11	Q40308	1	弹簧垫圈 Spring Washer			
12	Q340B08	1	I 型六角螺母 Hexagon Full Nut			
13	Q341C10	1	I 型六角螺母 Hexagon Full Nut			
14	Q40310	1	弹簧垫圈 Spring Washer			
15	Q40110	1	平垫圈 Plate Washer			

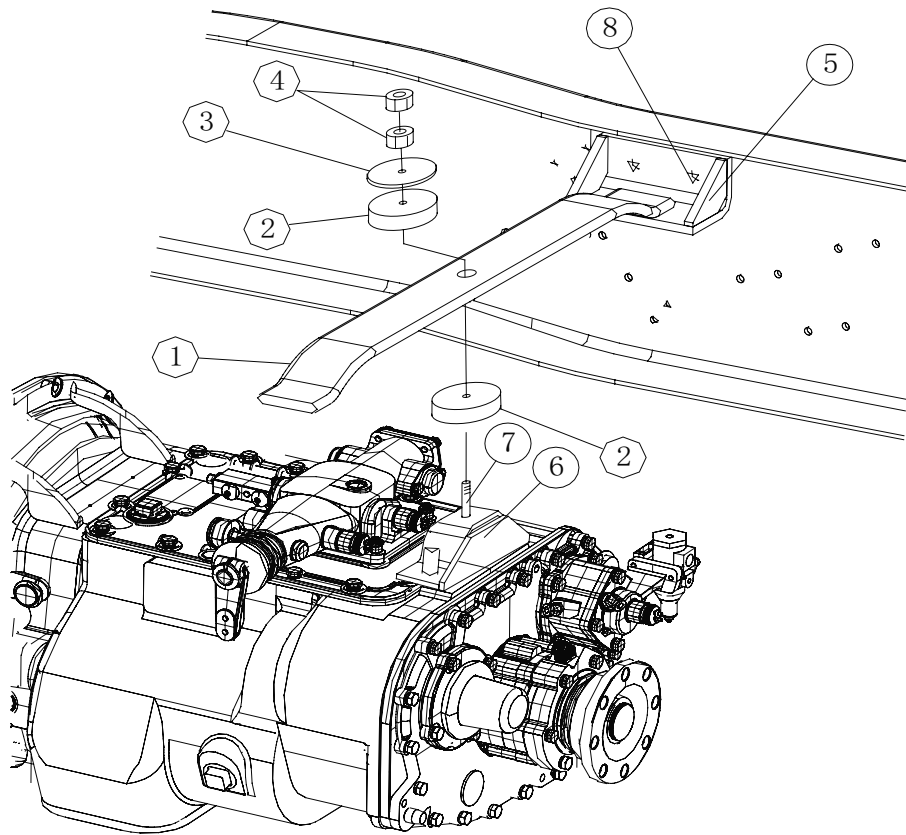
变速器操纵装置图三 TRANSMISSION CONTROL III

17-BB

序号 No.	件号 Part No.	数量 Quantity	名称 Name	规格 Specification	适用产品 Products Applied	备注 Remark
1	17A7DP-03450	1	换挡连杆 3 Shift Lever No.3			
2	17A7DP-03270	1	换挡连杆 2 Shift Lever No.2			
3	17A7DP-03440	1	选档连杆 3 Selection Lever No.3			
4	17A4D-03260	1	选档连杆 2 Selection Lever No.2			
5	Q33010	6	全金属六角法兰面自锁螺母 All-Metal Hexagon Self-Lock Nut With Flange			
6	Q1840845	1	六角法兰面螺栓 Hexagon Bolt With Flange			
7	Q40108	1	平垫圈 Plate Washer			
8	Q40308	1	弹簧垫圈 Spring Washer			
9	Q340B08	1	I 型六角螺母 Hexagon Full Nut			
10	17A7DP-03501	1	选档摇臂 3 Selection Rocker Arm No.3			

变速器悬置图一 / TRANSMISSION SUSPENSION I

17-BC



序号 No.	件号 Part No.	数量 Quantity	名称 Name	规格 Specification	适用产品 Products Applied	备注 Remark
1	17A4D-06011	1	单片板簧 Single Plate Leaf Spring		康明斯、日野、斯太尔 WD12 发动机 CUMMINS,HINO,STYER WD12 Engine	
	17A5DQ-06011	1	单片板簧 Single Plate Leaf Spring		斯太尔系列车型, WD12 系列除外 STYER Series Model Except for WD 12Series	
2	13AD-02012	2	橡胶软垫 Rubber Cushion			
3	13AD-02013	1	大垫片 Big Washer			
4	Q340B14	2	I 型六角螺母 Hexagon Full Nut			
5	17A4D-06020	2	支架 Bracket			
6	17A4D-06030	1	连接支架 Connecting Bracket		康明斯、斯太尔车型 CUMMINS, STYER Model	
	17A16D-06030	1	连接支架 Connecting Bracket		日野车型 HINO Model	
7	Q150B1480	1	六角螺栓 Hexagon Bolt			
8	Q150B1445	4	六角螺栓 Hexagon Bolt			

22

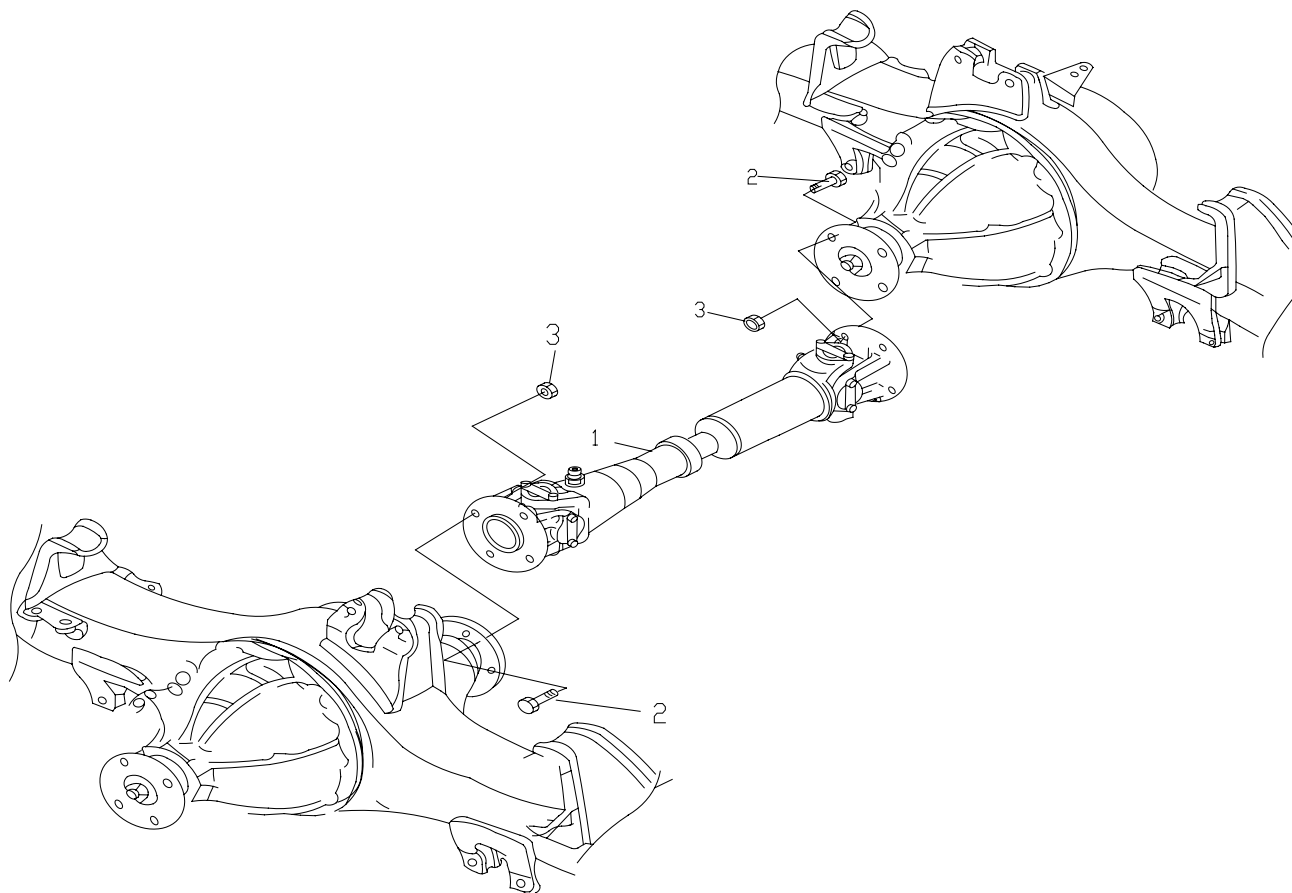
传动轴系统

PROPELLER

SHAFT SYSTEM

中、后桥间传动轴装置图 I
PROPELLER SHAFT BETWEEN INTERMEDIATE AXLE AND REAR AXLE I

22-A



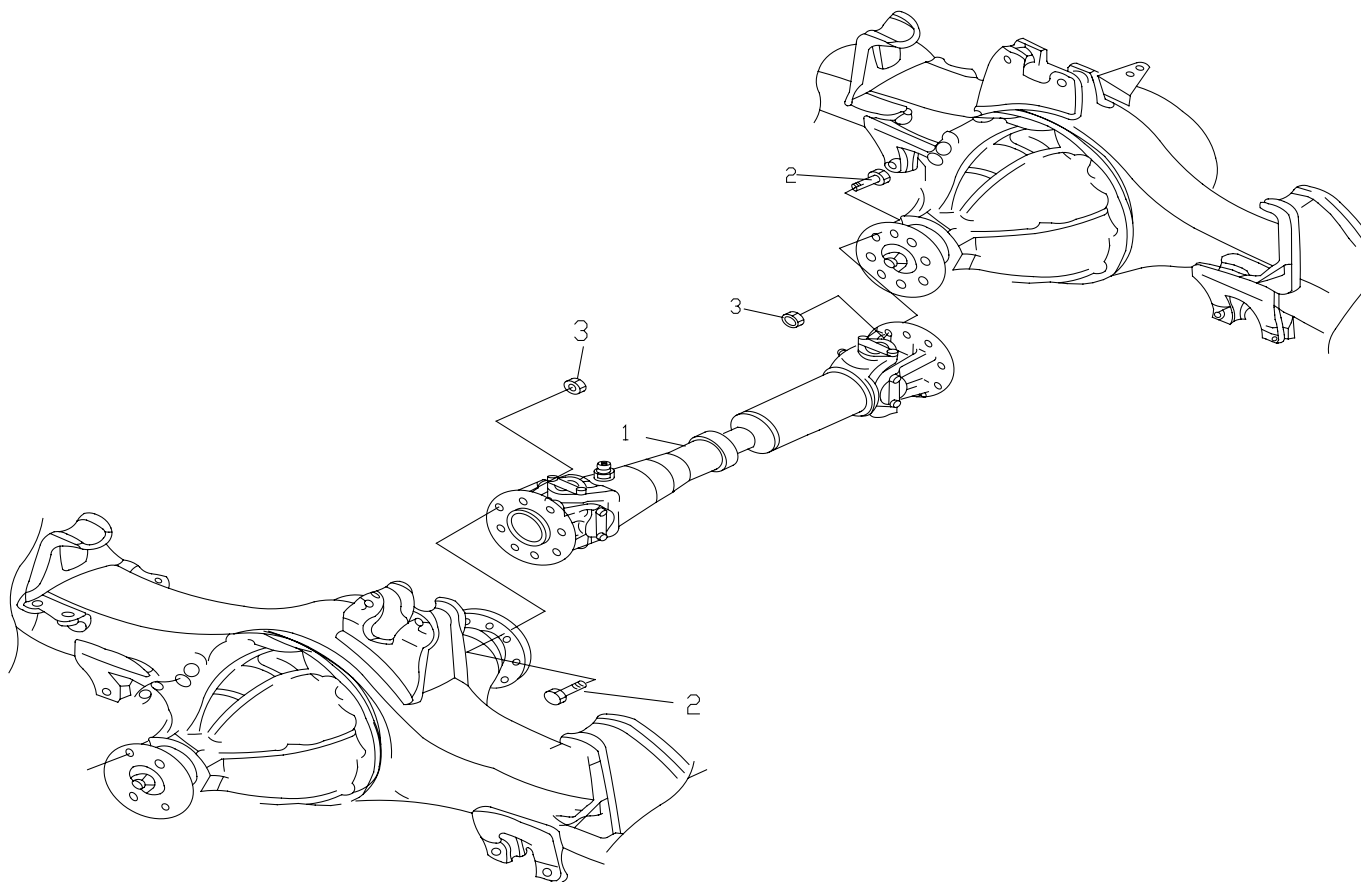
传动轴系统 / PROPELLER SHAFT SYSTEM

22-2

序号 No.	件号 Part No.	数量 Quantity	名称 Name	规格 Specification	适用产品 Products Applied	备注 Remark
1	2201AD-010	1	后桥传动轴 Rear Axle Propeller Shaft	6500N.m	457、435-6×4	580-677mm
2	22AD-01111	8	传动轴螺栓 Propeller Shaft Bolt			
3	Q334B16	8	六角锁止螺母 Hexagon Lock Nut			

中、后桥间传动轴装置图 II
PROPELLER SHAFT BETWEEN INTERMEDIATE AXLE AND REAR AXLE II

22-B



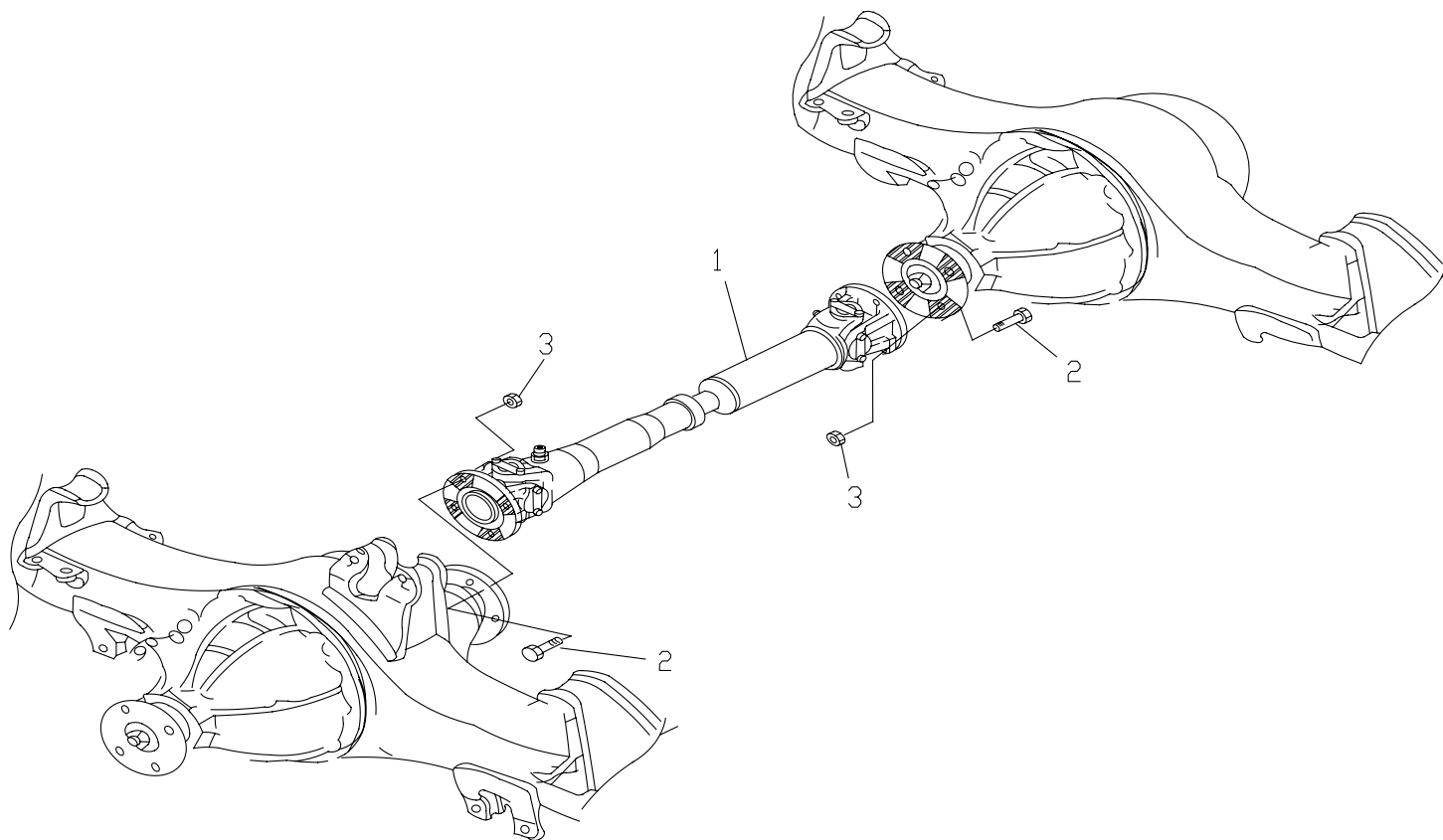
传动轴系统 / PROPELLER SHAFT SYSTEM

22-4

序号 No.	件号 Part No.	数量 Quantity	名称 Name	规格 Specification	适用产品 Products Applied	备注 Remark
1	2201AD-410	1	后桥传动轴 Rear Axle Propeller Shaft	6500N.m	STEYR-6×4	620-730mm
2	22AD-01413	16	传动轴螺栓 Propeller Shaft Bolt			
3	Q334B16	16	六角锁止螺母 Hexagon Lock Nut			

中、后桥间传动轴装置图III
PROPELLER SHAFT BETWEEN INTERMEDIATE AXLE AND REAR AXLE III

22-C



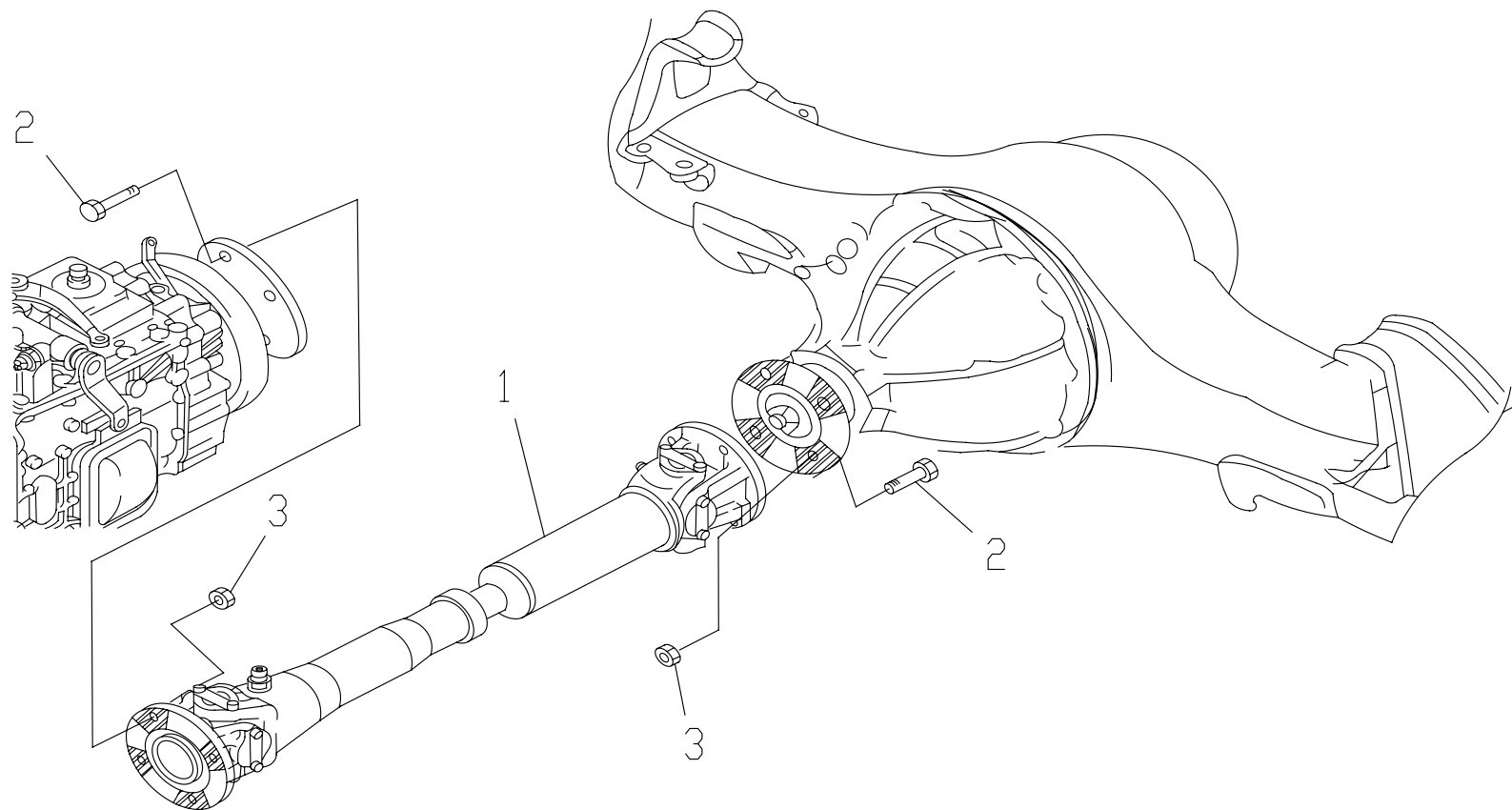
传动轴系统 / PROPELLER SHAFT SYSTEM

22-6

序号 No.	件号 Part No.	数量 Quantity	名称 Name	规格 Specification	适用产品 Products Applied	备注 Remark
1	2201AHD-010	1	后桥传动轴 Rear Axle Propeller Shaft	10000N.m	457-6×4 加宽 457-6×4 Widened	620-730mm
	2201AHD-410	1	后桥传动轴 Rear Axle Propeller Shaft	10000N.m	STEYR-6×4 加宽 STEYR-6×4 Widened	660-770mm
	2201AHD-410-T	1	后桥传动轴 Rear Axle Propeller Shaft	10000N.m	STEYR-6×4 加宽 STEYR-6×4 Widened	760-870mm
2	22AD-01111	8	传动轴螺栓 Propeller Shaft Bolt			
3	Q334B16	8	六角锁止螺母 Hexagon Lock Nut			

单后桥传动轴装置图 / SINGLE REAR AXLE PROPELLER SHAFT

22-D



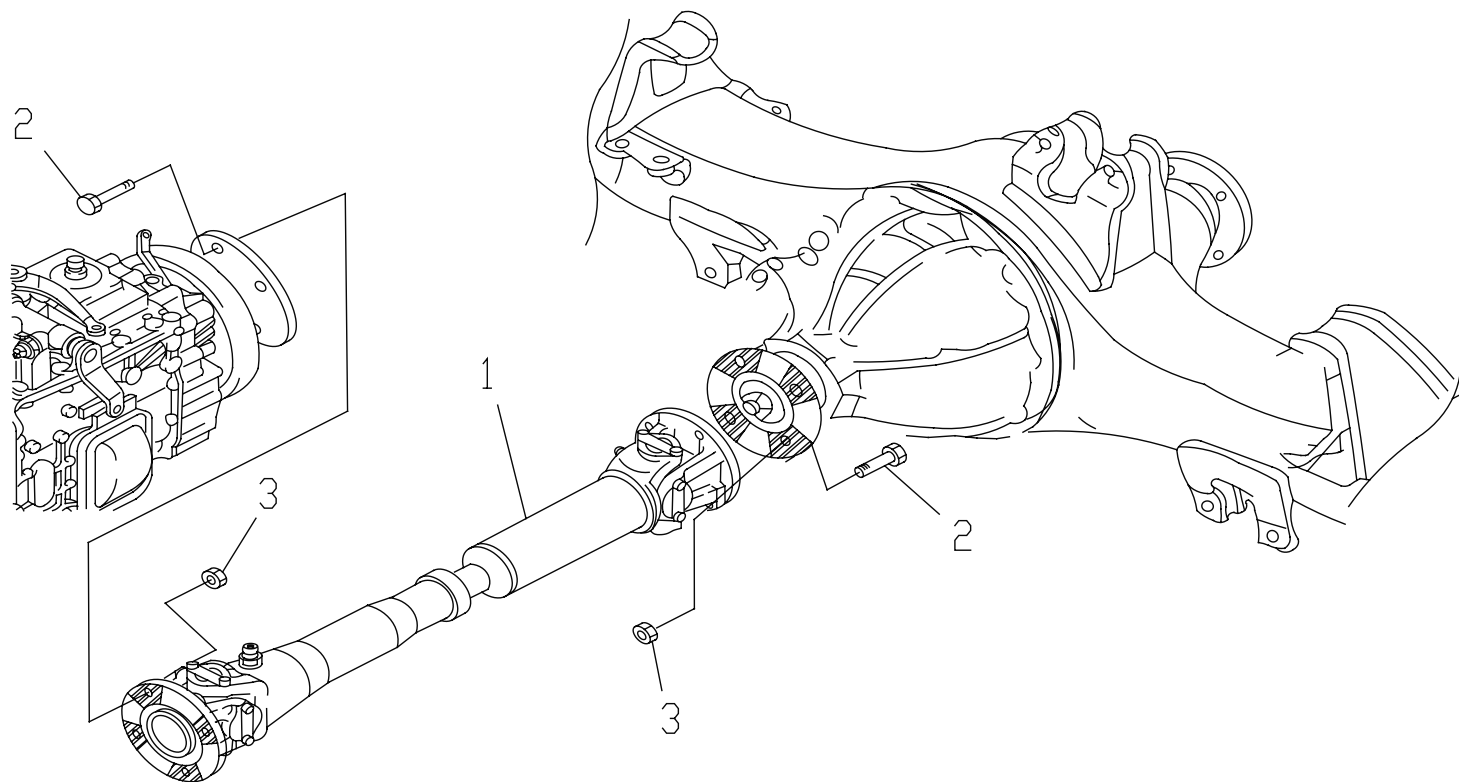
传动轴系统 / PROPELLER SHAFT SYSTEM

22-8

序号 No.	件号 Part No.	数量 Quantity	名称 Name	规格 Specification	适用产品 Products Applied	备注 Remark
1	2201A20DQ1-810	1	后桥传动轴 Rear Axle Propeller Shaft	13000N.m	WD615.50+9JS119(1576)+STEYR-4×2	轴距 3400 Wheel Base 3400
	2201A21DQ1-810	1	后桥传动轴 Rear Axle Propeller Shaft	13000N.m	L345 20+9JS119(1576)+STEYR-4×2	轴距 3400 Wheel Base 3400
	2205A4D-010	1	后桥传动轴 Rear Axle Propeller Shaft	13000N.m	WD615.50+9JS119(1576)+457-4×2	轴距 3400 Wheel Base 3400
	2205A7DZ-310	1	后桥传动轴 Rear Axle Propeller Shaft	13000N.m	L345 20+9JS119(1576)+457-4×2	轴距 3400 Wheel Base 3400
2	22AD-01111	8	六角螺栓 Hexagon Nut			
3	Q334B14	8	六角锁止螺母 Hexagon Lock Nut			

中桥传动轴装置图 I / INTERMEDIATE AXLE PROPELLER SHAFT I

22-E



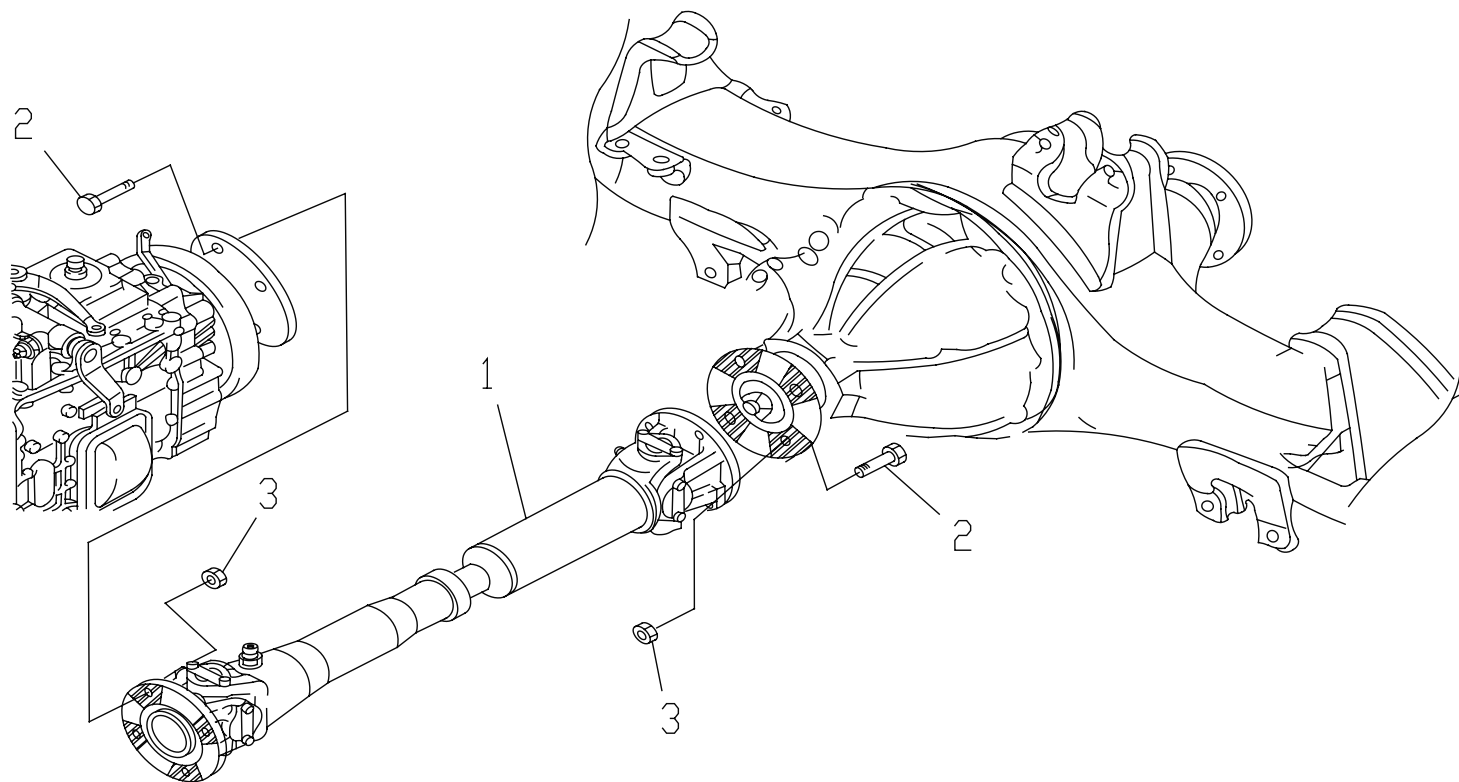
传动轴系统 / PROPELLER SHAFT SYSTEM

22-10

序号 No.	件号 Part No.	数量 Quantity	名称 Name	规格 Specification	适用产品 Products Applied	备注 Remark
1	2205A10DQ-010	1	中桥传动轴 Intermediate Axle Propeller Shaft	13000N.m	WD615.50+9JS119(1576)+STEYR-6×4	轴距 3050+1310 Wheel Base 3050+1310
	2205A21DQ-410	1	中桥传动轴 Intermediate Axle Propeller Shaft	13000N.m	L345 20+9JS119(1576)+STEYR-6×4	轴距 3050+1310 Wheel Base 3050+1310
	2205A2DQ-010	1	中桥传动轴 Intermediate Axle Propeller Shaft	13000N.m	WD615.50+9JS119(1576)+457-6×4	轴距 3050+1310 Wheel Base 3050+1310
	2205A9DZ1-010	1	中桥传动轴 Intermediate Axle Propeller Shaft	13000N.m	L345 20+9JS119(1576)+457-6×4	轴距 3200+1310 Wheel Base 3200+1310
	2205A2DZ-410	1	中桥传动轴 Intermediate Axle Propeller Shaft	13000N.m	WD615.50+9JS119(1576)+STEYR-6×4 加宽 WD615.50+9JS119(1576)+STEYR-6×4 Widened	轴距 3050+1350 Wheel Base 3050+1350
	2205A21DQ-420	1	中桥传动轴 Intermediate Axle Propeller Shaft	13000N.m	L345 20+9JS119(1576)+STEYR-6×4 加宽 L345 20+9JS119(1576)+STEYR-6×4 Widened	轴距 3050+1350 Wheel Base 3050+1350
	2205A39DQ-010	1	中桥传动轴 Intermediate Axle Propeller Shaft	13000N.m	WD615.50+9JS119(1576)+457-6×4 加宽 WD615.50+9JS119(1576)+457-6×4 Widened	轴距 3050+1350 Wheel Base 3050+1350
	2205A6DZ-010	1	中桥传动轴 Intermediate Axle Propeller Shaft	13000N.m	L345 20 搅拌 +9JS119(1576)+457-6×4 加宽 L345 20 Mixer+9JS119(1576)+457-6×4 Widened	轴距 3600+1350 Wheel Base 3600+1350
	2201A4DQ1-210	1	中桥传动轴 Intermediate Axle Propeller Shaft	13000N.m	(搅拌车)C9-350HP+9JS150T(2512)+ 奔驰桥 -6×4 加宽 (Mixer) C9-350HP+9JS150T(2512)+BENZ Axle-6×4 Widened	轴距 3580+1350 Wheel Base 3580+1350
	2201A6DP7-710	1	中桥传动轴 Intermediate Axle Propeller Shaft	13000N.m	WD615.50+9JS119(1576)+457-6×4 加宽 WD615.50+9JS119(1576)+457-6×4 Widened	
(搅拌车)P11C-UJ+9JS150T(2511)+457-6×4 加宽 (Mixer)P11C-UJ+9JS150T(2511)+457-6×4 Widened						
				(搅拌车)P11C-UL+9JS150T(2512)+457-6×4 加宽 (Mixer)P11C-UL+9JS150T(2512)+457-6×4 Widened		

中桥传动轴装置图 I / INTERMEDIATE AXLE PROPELLER SHAFT I

22-E



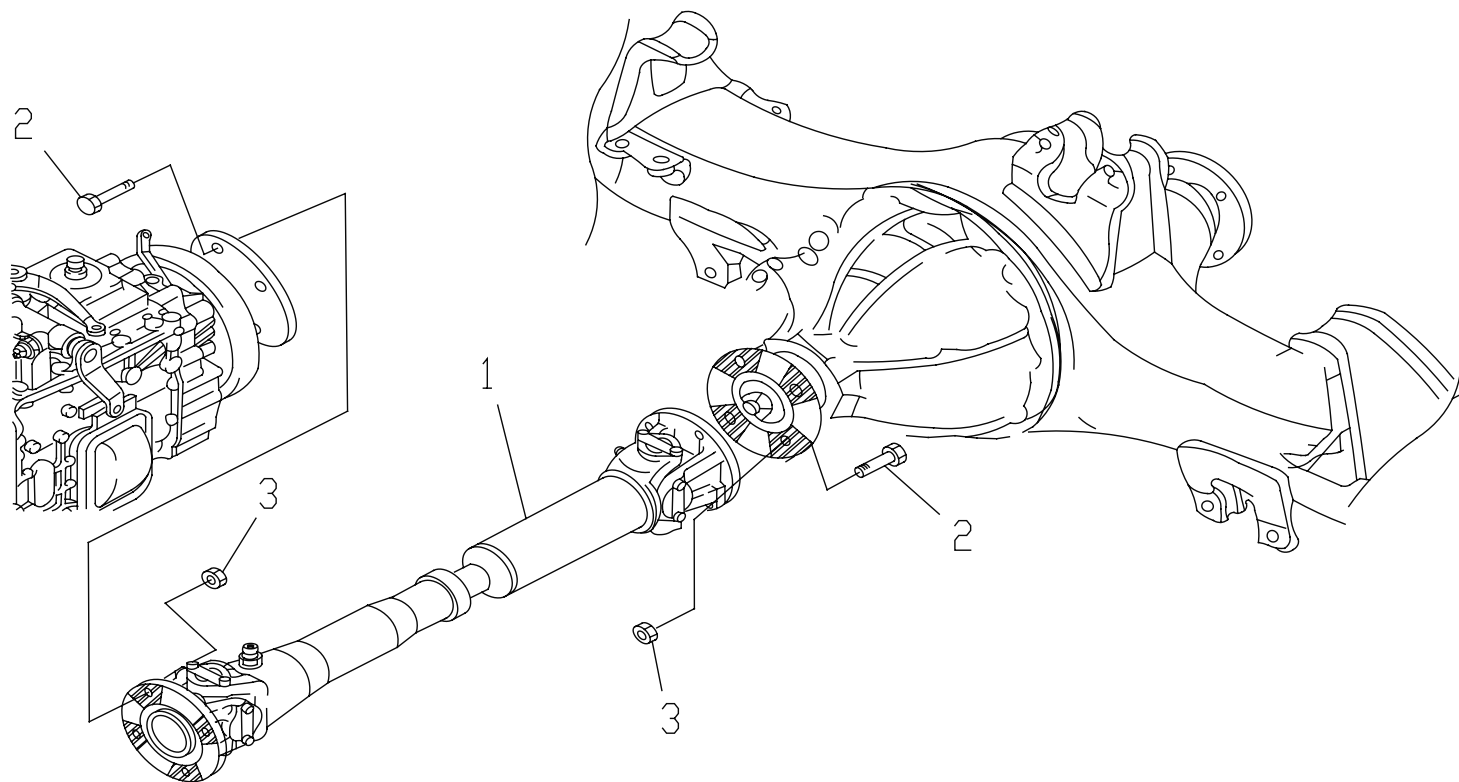
传动轴系统 / PROPELLER SHAFT SYSTEM

22-12

序号 No.	件号 Part No.	数量 Quantity	名称 Name	规格 Specification	适用产品 Products Applied	备注 Remark
1	2201A6DP8-710	1	中桥传动轴 Intermediate Axle Propeller Shaft	13000N.m	P11C-UJ+RT11509C(1242)+STEYR-6×4 加宽 P11C-UJ+RT11509C(1242)+STEYR-6×4 Widened	轴距 3180+1350 Wheel Base 3180+1350
	2201A6DQ1-210	1	中桥传动轴 Intermediate Axle Propeller Shaft	13000N.m	WP10.336+ 重庆铁马 + 奔驰桥 -6×4 加宽 WP10.336+CHONGQING TIEMA+BENZ Axle-6×4 Widened	轴距 3580+1350 Wheel Base 3580+1350
	2205A10DQ-010	1	中桥传动轴 Intermediate Axle Propeller Shaft	13000N.m	WD615.56+8JS118+STEYR-6×4 加宽 WD615.56+8JS118+STEYR-6×4 Widened	轴距 3068+1350 Wheel Base 3068+1350
	2205A10DZ-010	1	中桥传动轴 Intermediate Axle Propeller Shaft	13000N.m	WD615.56+8JS118+STEYR-6×4 加宽 WD615.56+8JS118+STEYR-6×4 Widened	轴距 3618+1350 Wheel Base 3618+1350
	2205A16DQ-410	1	中桥传动轴 Intermediate Axle Propeller Shaft	13000N.m	P11C-UL+12JS160T(2035)+STEYR-6×4 加宽 P11C-UL+12JS160T(2035)+STEYR-6×4 Widened	轴距 3180+1350 Wheel Base 3180+1350
	2205A16DZ-410	1	中桥传动轴 Intermediate Axle Propeller Shaft	13000N.m	P11C-UL+RT11509C(G1375)+STEYR-6×4 加宽 P11C-UL+RT11509C(G1375)+STEYR-6×4 Widened	轴距 3580+1350 Wheel Base 3580+1350
	2205A16DZ-410	1	中桥传动轴 Intermediate Axle Propeller Shaft	13000N.m	(搅拌车)P11C-UJ+9JS150T(2511)+457-6×4 加宽 (Mixer) P11C-UJ+9JS150T(2511)+457-6×4 Widened	轴距 3880+1350 Wheel Base 3880+1350
	2205A17DQ-020	1	中桥传动轴 Intermediate Axle Propeller Shaft	13000N.m	WD615.34+RT11509C(1242)+457-6×4 加宽 WD615.34+RT11509C(1242)+457-6×4 Widened	轴距 3180+1350 Wheel Base 3180+1350
	2205A18DQ-010	1	中桥传动轴 Intermediate Axle Propeller Shaft	15000N.m	WD615.46+RT11509C(G1375)+STEYR-6×4 加宽 WD615.46+RT11509C(G1375)+STEYR-6×4 Widened	轴距 3068+1350 Wheel Base 3068+1350
		1	中桥传动轴 Intermediate Axle Propeller Shaft		L345 20+RT11509C(1242)+STEYR-6×4 加宽 L345 20+RT11509C(1242)+STEYR-6×4 Widened	轴距 3180+1350 Wheel Base 3180+1350
2205A18DQ-020	1	中桥传动轴 Intermediate Axle Propeller Shaft	15000N.m	M11C380E20+12JS160T(2035)+STEYR-6×4 加宽 M11C380E20+12JS160T(2035)+STEYR-6×4 Widened	轴距 3030+1350 Wheel Base 3030+1350	

中桥传动轴装置图 I / INTERMEDIATE AXLE PROPELLER SHAFT I

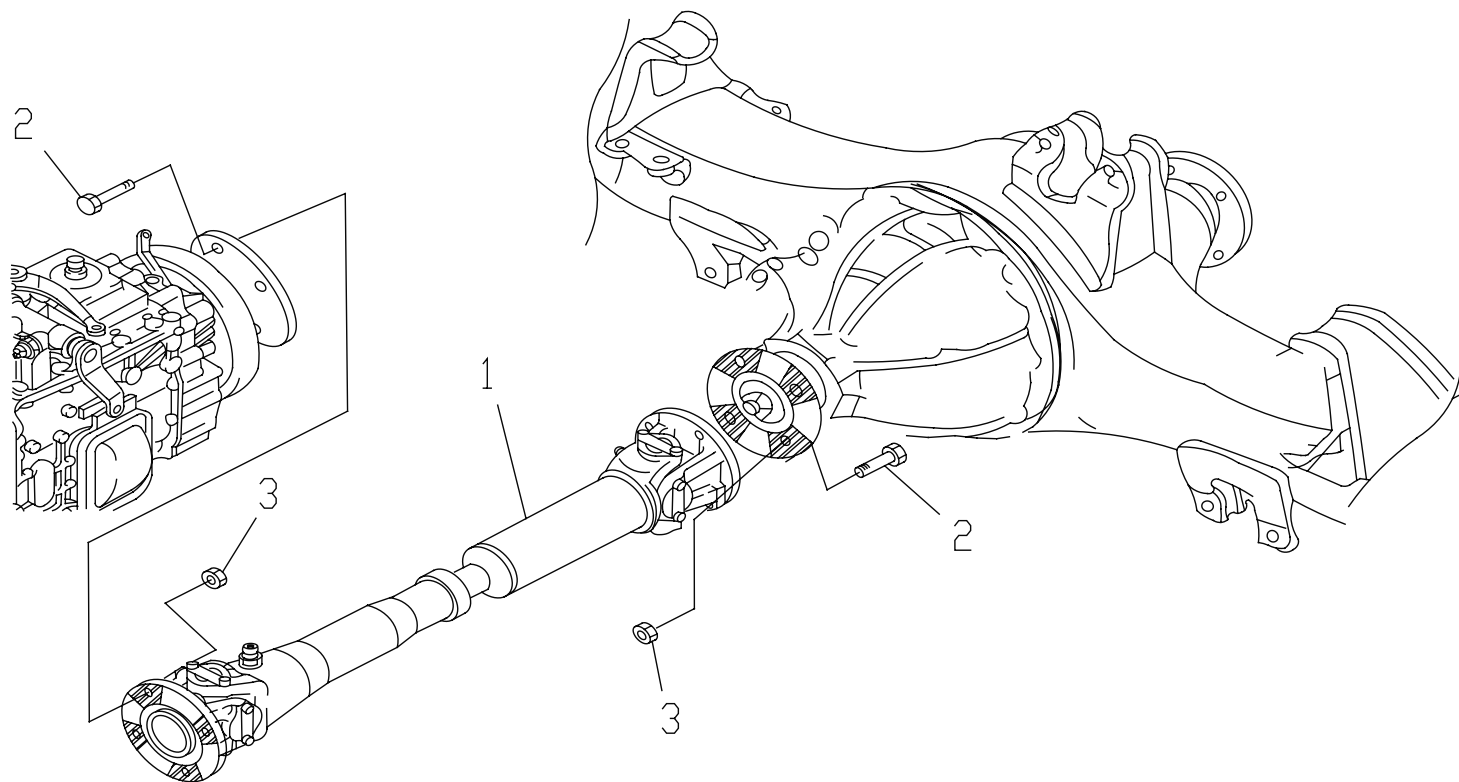
22-E



序号 No.	件号 Part No.	数量 Quantity	名称 Name	规格 Specification	适用产品 Products Applied	备注 Remark	
1	2205A18DQ-410	1	中桥传动轴 Intermediate Axle Propeller Shaft	15000N.m	WD615.38+RT11509C(1242)+STEYR-6×4 加宽 WD615.38+RT11509C(1242)+STEYR-6×4 Widened	轴距 3180+1350 Wheel Base 3180+1350	
		1	中桥传动轴 Intermediate Axle Propeller Shaft		WD615.38+RT11509C(G1375)+STEYR-6×4 加宽 WD615.38+RT11509C(G1375)+STEYR-6×4 Widened		
	2205A18DQ-430	1	中桥传动轴 Intermediate Axle Propeller Shaft	15000N.m	WD615.38+9JS180(G1376)+STEYR-6×4 加宽 WD615.38+9JS180(G1376)+STEYR-6×4 Widened		
	2205A19DQ-010	1	中桥传动轴 Intermediate Axle Propeller Shaft	15000N.m	WD12.375+12JS180T(2768)+457-6×4 加宽 WD12.375+12JS180T(2768)+457-6×4 Widened		
	2205A19DQ-410	1	中桥传动轴 Intermediate Axle Propeller Shaft	15000N.m	WD615.38+12JS160T(2035)+STEYR-6×4 加宽 WD615.38+12JS160T(2035)+STEYR-6×4 Widened		
		1	中桥传动轴 Intermediate Axle Propeller Shaft		P11C-UR+RT11509C(G1375)+457-6×4 加宽 P11C-UR+RT11509C(G1375)+457-6×4 Widened		
		1	中桥传动轴 Intermediate Axle Propeller Shaft		C13-430HP+16S200TA+485-6×4 加宽 C13-430HP+16S200TA+485-6×4 Widened		
	2205A19DQ-420	1	中桥传动轴 Intermediate Axle Propeller Shaft	15000N.m	WD12.375+12JS180T(2768)+STEYR-6×4 加宽 WD12.375+12JS180T(2768)+STEYR-6×4 Widened		
	2205A21D-010	1	中桥传动轴 Intermediate Axle Propeller Shaft	13000N.m	P11C-UL+9JS150T(2511)+457-6×4 加宽 P11C-UL+9JS150T(2511)+457-6×4 Widened		轴距 3580+1350 Wheel Base 3580+1350
	2205A21DQ-410	1	中桥传动轴 Intermediate Axle Propeller Shaft	13000N.m	P11C-UL+RT11509C(G1375)+STEYR-6×4 加宽 P11C-UL+RT11509C(G1375)+STEYR-6×4 Widened		轴距 3180+1350 Wheel Base 3180+1350
2205A21DQ-420	1	中桥传动轴 Intermediate Axle Propeller Shaft	13000N.m	L345 20+RT11509C(1242)+STEYR-6×4 加宽 L345 20+RT11509C(1242)+STEYR-6×4 Widened	轴距 3030+1350 Wheel Base 3030+1350		
2205A23DQ-420	1	中桥传动轴 Intermediate Axle Propeller Shaft	15000N.m	WD615.38+RT11509C(G1375)+457-6×4 加宽 WD615.38+RT11509C(G1375)+457-6×4 Widened	轴距 3180+1350 Wheel Base 3180+1350		

中桥传动轴装置图 I / INTERMEDIATE AXLE PROPELLER SHAFT I

22-E



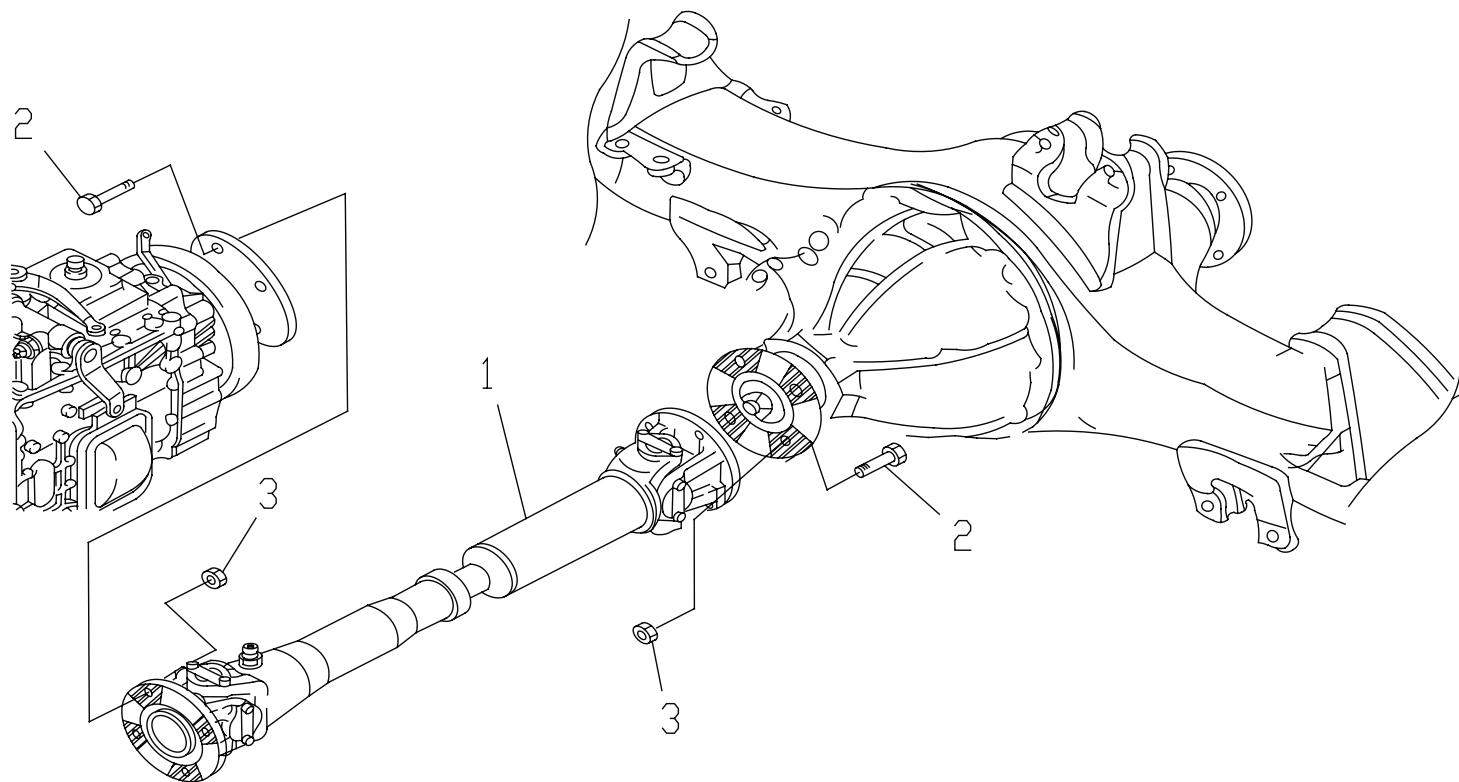
传动轴系统 / PROPELLER SHAFT SYSTEM

22-16

序号 No.	件号 Part No.	数量 Quantity	名称 Name	规格 Specification	适用产品 Products Applied	备注 Remark
1	2205A2DZ-010	1	中桥传动轴 Intermediate Axle Propeller Shaft	13000N.m	L345 20+RT11509C(1242)+STEYR-6×4 加宽 L345 20+RT11509C(1242)+STEYR-6×4 Widened	轴距 3180+1350 Wheel Base 3180+1350
	2205A2DZ-010	1	中桥传动轴 Intermediate Axle Propeller Shaft	13000N.m	(搅拌机)M11C350E20+9JS150T(2511)+457- 6×4 加宽 (Mixer)M11C350E20+9JS150T(2511)+457-6× 4 Widened	轴距 3580+1350 Wheel Base 3580+1350
					(搅拌机)6WF1+MJD7S+STEYR-6×4 加宽 (Mixer)6WF1+MJD7S+STEYR-6×4 Widened	
	2205A2DZ-410	1	中桥传动轴 Intermediate Axle Propeller Shaft	13000N.m	WD615.50+9JS119(1576)+STEYR-6×4 加宽 WD615.50+9JS119(1576)+STEYR-6×4 Widened	轴距 3530+1450 Wheel Base 3530+1450
					P11C-UL+RT11509C(1242)+STEYR-6×4 加宽 P11C-UL+RT11509C(1242)+STEYR-6×4 Widened	
	2205A39DQ-010	1	中桥传动轴 Intermediate Axle Propeller Shaft	13000N.m	WD615.34+RT11509C(1242)+457-6×4 加宽 WD615.34+RT11509C(1242)+457-6×4 Widened	轴距 3030+1350 Wheel Base 3030+1350
	2205A3DP1-010	1	中桥传动轴 Intermediate Axle Propeller Shaft	13000N.m	(搅拌机)WD615.50+9JS119(1576)+457-6×4 加宽 (Mixer)WD615.50+9JS119(1576)+457-6×4 Widened	轴距 3580+1350 Wheel Base 3580+1350
	2205A3DQ-420	1	中桥传动轴 Intermediate Axle Propeller Shaft	15000N.m	M11C380E20+12JS160T(2035)+457-6×4 加宽 M11C380E20+12JS160T(2035)+457-6×4 Widened	轴距 3180+1350 Wheel Base 3180+1350
					P11C-UR+12JS160T(2035)+457-6×4 加宽 P11C-UR+12JS160T(2035)+457-6×4 Widened	
				P11C-UR+12JS180T(2768)+457-6×4 加宽 P11C-UR+12JS180T(2768)+457-6×4 Widened		
2205A3DQ-430	1	中桥传动轴 Intermediate Axle Propeller Shaft	15000N.m	P11C-UR+ZF16S(1950)+457-6×4 加宽 P11C-UR+ZF16S(1950)+457-6×4 Widened		
2205A4D-310	1	中桥传动轴 Intermediate Axle Propeller Shaft	13000N.m	M11C350E20+RT11509C(1242)+STEYR-6×4 加宽 M11C350E20+RT11509C(1242)+STEYR-6×4 Widened	轴距 3580+1350 Wheel Base 3580+1350	

中桥传动轴装置图 I / INTERMEDIATE AXLE PROPELLER SHAFT I

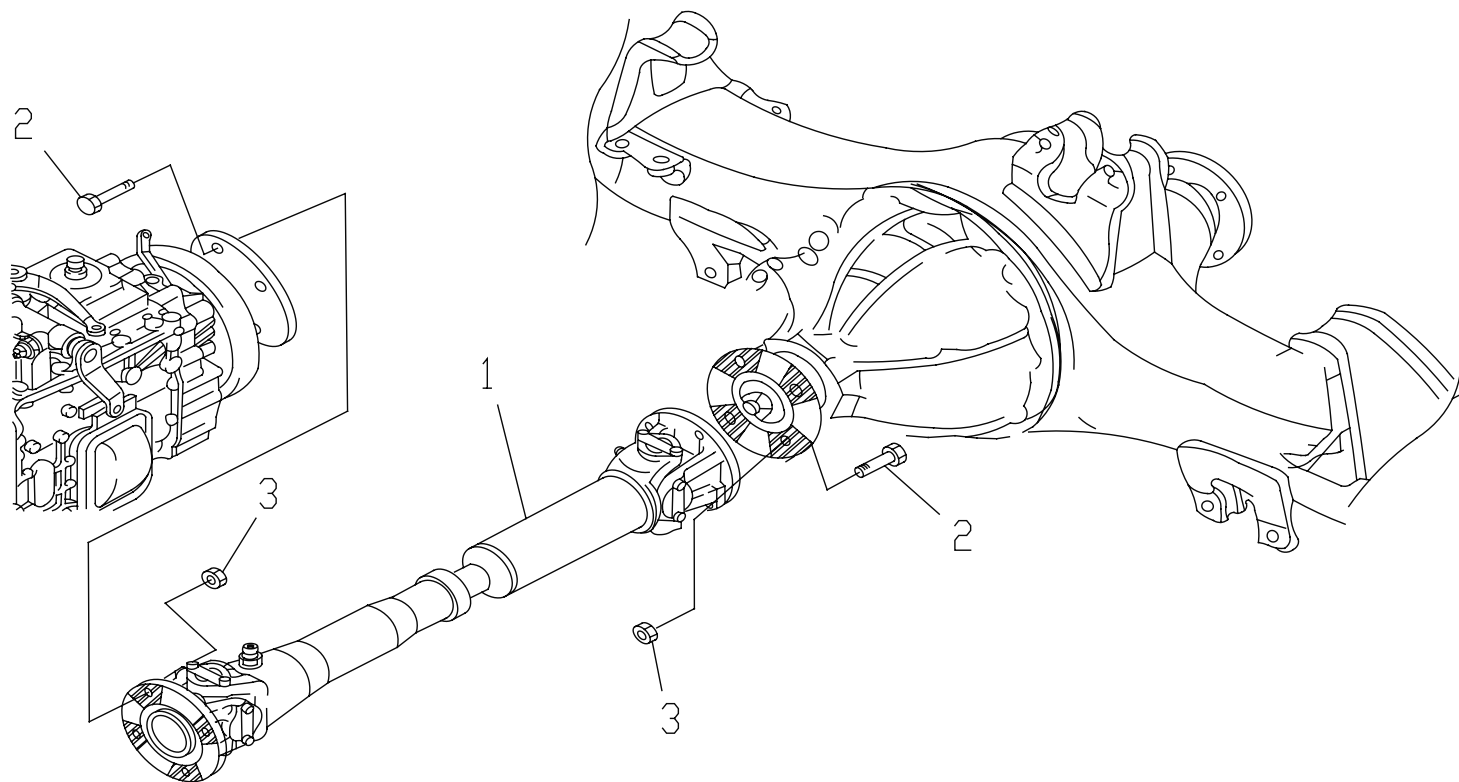
22-E



序号 No.	件号 Part No.	数量 Quantity	名称 Name	规格 Specification	适用产品 Products Applied	备注 Remark	
1	2205A4DQ-320	1	中桥传动轴 Intermediate Axle Propeller Shaft	13000N.m	WD615.31+RT11509C(1242)+STEYR-6×4 加宽 WD615.31+RT11509C(1242)+STEYR-6×4 Widened	轴距 3180+1350 Wheel Base 3180+1350	
					L345 20+RT11509C(1242)+457-6×4 加宽 L345 20+RT11509C(1242)+457-6×4 Widened		
					(搅拌机)6WF1+MJD7S+457-6×4 加宽 (Mixer)6WF1+MJD7S+457-6×4 Widened	轴距 3580+1350 Wheel Base 3580+1350	
	2205A4DZ-410	1	中桥传动轴 Intermediate Axle Propeller Shaft	13000N.m	C9-350HP+9JS150T(2512)+ 奔驰桥 -6×4 加宽 C9-350HP+9JS150T(2512)+BENZ Axle-6×4 Widened		
	2205A5D-410	1	中桥传动轴 Intermediate Axle Propeller Shaft	15000N.m	(搅拌机)M11C380E20+9JS165T(2508)+STEYR-6×4 加宽 (Mixer)M11C380E20+9JS165T(2508)+STEYR-6×4 Widened		
	2205A5DP4-010	1	中桥传动轴 Intermediate Axle Propeller Shaft	15000N.m	M11C380E20+12JS160T(2035)+457-6×4 加宽 M11C380E20+12JS160T(2035)+457-6×4 Widened		
	2205A5DQ-030	1	中桥传动轴 Intermediate Axle Propeller Shaft	15000N.m	WD615.46+RT11509C(G1375)+457-6×4 加宽 WD615.46+RT11509C(G1375)+457-6×4 Widened		轴距 3030+1350 Wheel Base 3030+1350
	2205A5DQ-030	1	中桥传动轴 Intermediate Axle Propeller Shaft	15000N.m	WD615.38+12JS160T(2035)+457-6×4 加宽 WD615.38+12JS160T(2035)+457-6×4 Widened		轴距 3180+1350 Wheel Base 3180+1350
	2205A5DQ-040	1	中桥传动轴 Intermediate Axle Propeller Shaft	15000N.m	WD615.46+9JS180(G1376)+457-6×4 加宽 WD615.46+9JS180(G1376)+457-6×4 Widened		轴距 3030+1350 Wheel Base 3030+1350
	2205A5DZ-410	1	中桥传动轴 Intermediate Axle Propeller Shaft	15000N.m	WD615.46+RT11509C(G1375)+STEYR-6×4 加宽 WD615.46+RT11509C(G1375)+STEYR-6×4 Widened	轴距 3580+1350 Wheel Base 3580+1350	
2205A5DZ-430	1	中桥传动轴 Intermediate Axle Propeller Shaft	15000N.m	L375 20+RT11509C(G1375)+STEYR-6×4 加宽 L375 20+RT11509C(G1375)+STEYR-6×4 Widened	轴距 3180+1350 Wheel Base 3180+1350		
2205A6DZ-010	1	中桥传动轴 Intermediate Axle Propeller Shaft	13000N.m	(搅拌机)WD615.34+9JS150T(2511)+STEYR-6×4 加宽 (Mixer)WD615.34+9JS150T(2511)+STEYR-6×4 Widened	轴距 3580+1350 Wheel Base 3580+1350		

中桥传动轴装置图 I / INTERMEDIATE AXLE PROPELLER SHAFT I

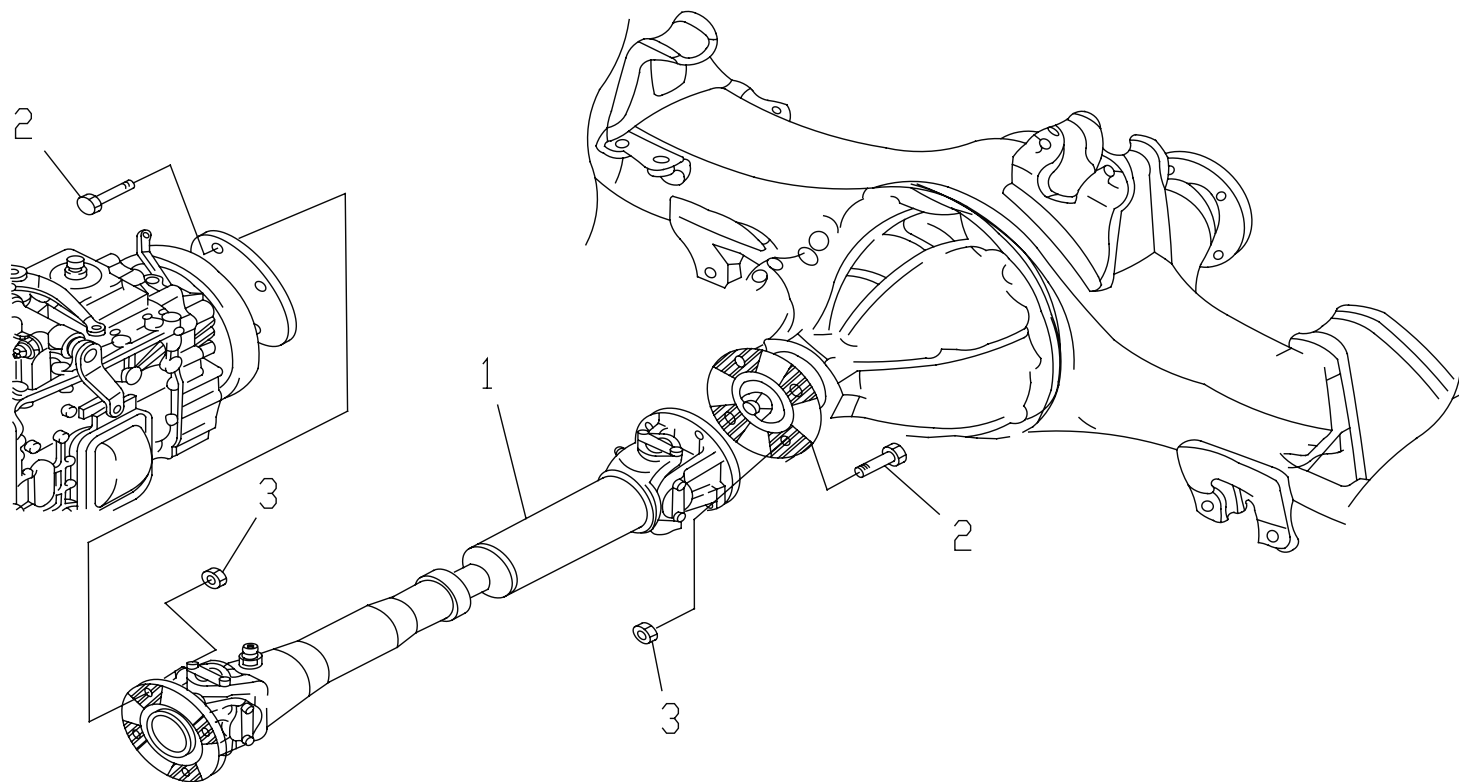
22-E



序号 No.	件号 Part No.	数量 Quantity	名称 Name	规格 Specification	适用产品 Products Applied	备注 Remark
1	2205A6DZ-010	1	中桥传动轴 Intermediate Axle Propeller Shaft	13000N.m	(搅拌机)L345 20+9JS150T(2511)+457-6×4 加宽 (Mixer)L345 20+9JS150T(2511)+457-6×4 Widened	轴距 3580+1350 Wheel Base 3580+1350
	2205A9DP5-410	1	中桥传动轴 Intermediate Axle Propeller Shaft	13000N.m	(搅拌机)M11C350E20+ZF16S1650+STEYR- 6×4 加宽 (Mixer)M11C350E20+ZF16S1650+STEYR-6× 4 Widened P11C-UJ+9JS150T(2512)+457-6×4 加宽 P11C-UJ+9JS150T(2512)+457-6×4 Widened	
	2205A9DZ1-010	1	中桥传动轴 Intermediate Axle Propeller Shaft	13000N.m	WD615.56+8JS118+STEYR-6×4 加宽 WD615.56+8JS118+STEYR-6×4 Widened	轴距 3218+1350 Wheel Base 3218+1350
	2205A9DZ14-810	1	中桥传动轴 Intermediate Axle Propeller Shaft	13000N.m	P11C-UL+RT11509C(1242)+STEYR-6×4 加宽 P11C-UL+RT11509C(1242)+STEYR-6×4 Widened	轴距 3580+1350 Wheel Base 3580+1350
	2205ADQ-020	1	中桥传动轴 Intermediate Axle Propeller Shaft	13000N.m	6D24+M120S5+457-6×4 加宽 6D24+M120S5+457-6×4 Widened	轴距 3180+1350 Wheel Base 3180+1350
	2205ADQ-420	1	中桥传动轴 Intermediate Axle Propeller Shaft	13000N.m	6D24+M120S5+STEYR-6×4 加宽 6D24+M120S5+STEYR-6×4 Widened	
	2205AE50DQ-410	1	中桥传动轴 Intermediate Axle Propeller Shaft	20000N.m	C13-430HP+ZF16S(181)+STEYR-6×4 加宽 C13-430HP+ZF16S(181)+STEYR-6×4 Widened C13-430HP+ZF16S(181)+ 奔驰桥 -6×4 加宽 C13-430HP+ZF16S(181)+BENZ Axle-6×4 Widened	轴距 3130+1450 Wheel Base 3130+1450
	2205AH18DQ-010	1	中桥传动轴 Intermediate Axle Propeller Shaft	15000N.m	L375 20+RT11509C(G1375)+457-6×4 加宽 L375 20+RT11509C(G1375)+457-6×4 Widened	轴距 3180+1350 Wheel Base 3180+1350
	2205AH18DQ-410	1	中桥传动轴 Intermediate Axle Propeller Shaft	15000N.m	L375 20+RT11509C(G1375)+STEYR-6×4 加宽 L375 20+RT11509C(G1375)+STEYR-6×4 Widened L375 20+12JS160T(2035)+STEYR-6×4 加宽 L375 20+12JS160T(2035)+STEYR-6×4 Widened	轴距 3030+1350 Wheel Base 3030+1350 轴距 3180+1350 Wheel Base 3180+1350

中桥传动轴装置图 I / INTERMEDIATE AXLE PROPELLER SHAFT I

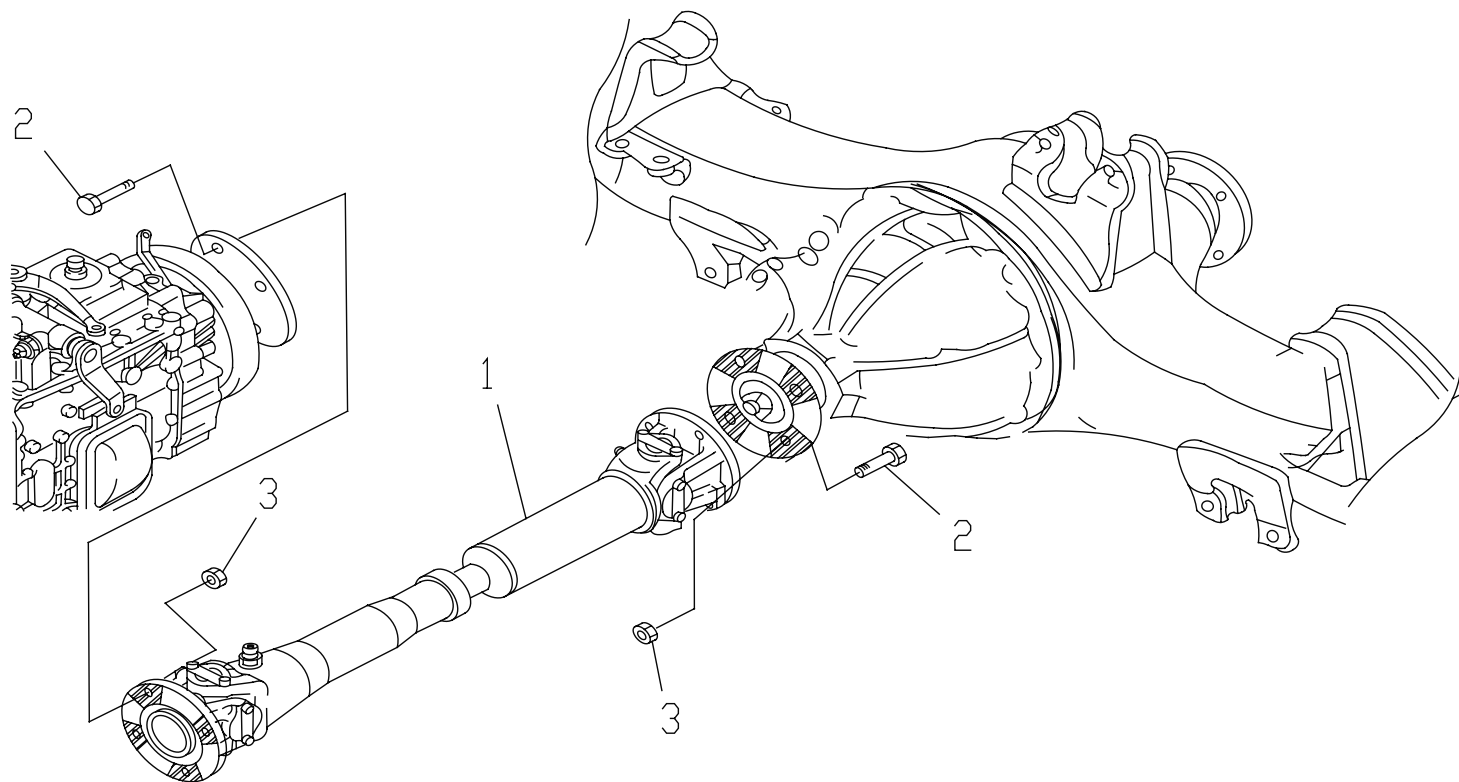
22-E



序号 No.	件号 Part No.	数量 Quantity	名称 Name	规格 Specification	适用产品 Products Applied	备注 Remark
1	2205AH19DQ-410	1	中桥传动轴 Intermediate Axle Propeller Shaft	15000N.m	WD615.46+9JS180(G1376)+STEYR-6×4 加宽 WD615.46+9JS180(G1376)+STEYR-6×4 Widened	轴距 3068+1350 Wheel Base 3068+1350
	2205AH19DQ-410	1	中桥传动轴 Intermediate Axle Propeller Shaft	15000N.m	WD615.38+RT11509C(G1375)+STEYR-6×4 加宽 WD615.38+RT11509C(G1375)+STEYR-6×4 Widened	轴距 3030+1350 Wheel Base 3030+1350
					WD615.38+12JS180T(2768)+STEYR-6×4 加宽 WD615.38+12JS180T(2768)+STEYR-6×4 Widened	轴距 3180+1350 Wheel Base 3180+1350
	2205AH19DQ-420	1	中桥传动轴 Intermediate Axle Propeller Shaft	13000N.m	WD615.38+12JS160T(2035)+STEYR-6×4 加宽 WD615.38+12JS160T(2035)+STEYR-6×4 Widened	轴距 3030+1350 Wheel Base 3030+1350
	2205AH20DZ15-410	1	中桥传动轴 Intermediate Axle Propeller Shaft	13000N.m	L345 20+12JS160T(2035)+STEYR-6×4 加宽 L345 20+12JS160T(2035)+STEYR-6×4 Widened	轴距 3180+1350 Wheel Base 3180+1350
					P11C-UJ+12JS180T(2768)+STEYR-6×4 加宽 P11C-UJ+12JS180T(2768)+STEYR-6×4 Widened M11C380E20+12JS180T(2768)+STEYR-6×4 加宽 M11C380E20+12JS180T(2768)+STEYR-6×4 Widened	
	2205AH20DZ-420	1	中桥传动轴 Intermediate Axle Propeller Shaft	13000N.m	(搅拌机)P11CUJ+9JS150T(2511)+STEYR-6 ×4 加宽 (Mixer)P11C-UJ+9JS150T(2511)+STEYR-6× 4 Widened	轴距 3580+1350 Wheel Base 3580+1350
					(搅拌机)C9-350HP+ZF16S(1650)+STEYR-6 ×4 加宽 (Mixer)C9-350HP+ZF16S(1650)+STEYR-6×4 Widened	
					(搅拌机)C9-350HP+ZF16S(1650)+ 奔驰桥 -6 ×4 加宽 (Mixer)C9-350HP+ZF16S(1650)+BENZ Axle-6×4 Widened	
	2205AH21D-410	1	中桥传动轴 Intermediate Axle Propeller Shaft	13000N.m	(搅拌机)L345 20+RT11509C(1242)+STEYR -6×4 加宽 (Mixer)L345 20+RT11509C(1242)+STEYR-6× 4 Widened	
(搅拌机)C9-350HP+9JS150T(2512)+STEYR -6×4 加宽 (Mixer)C9-350HP+9JS150T(2512)+STEYR-6 ×4 Widened						

中桥传动轴装置图 I / INTERMEDIATE AXLE PROPELLER SHAFT I

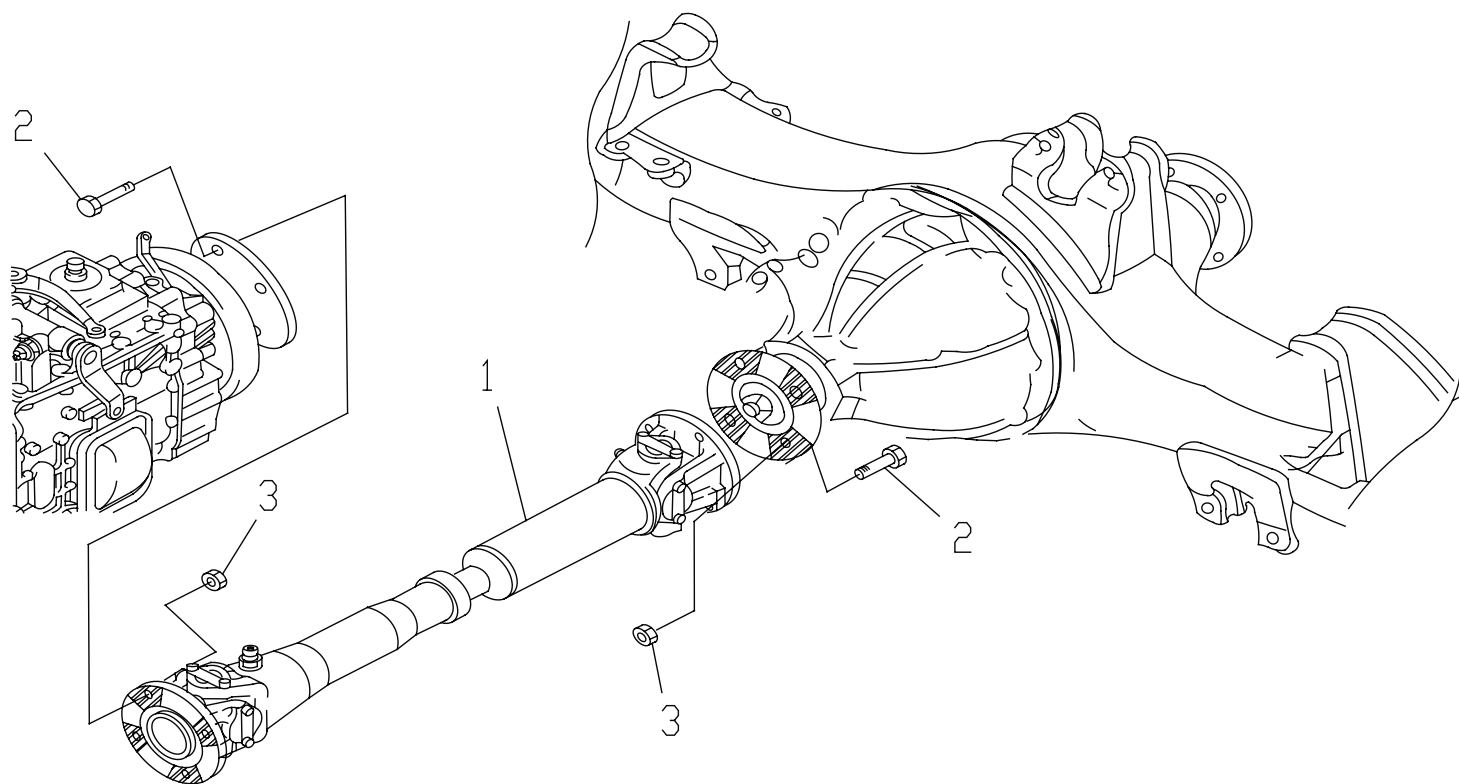
22-E



序号 No.	件号 Part No.	数量 Quantity	名称 Name	规格 Specification	适用产品 Products Applied	备注 Remark
1	2205AH21DZ-410	1	中桥传动轴 Intermediate Axle Propeller Shaft	13000N.m	L345 20+RT11509C(1242)+STEYR-6×4 加宽 L345 20+RT11509C(1242)+STEYR-6×4 Widened	轴距 3580+1350 Wheel Base 3580+1350
					L345 20+9JS150T(2511)+457-6×4 加宽 L345 20+9JS150T(2511)+457-6×4 Widened	轴距 3780+1350 Wheel Base 3780+1350
	2205AH23D-410	1	中桥传动轴 Intermediate Axle Propeller Shaft	15000N.m	M11C380E20+9JS165T(3005)+STEYR-6×4 加宽 M11C380E20+9JS165T(3005)+STEYR-6×4 Widened	轴距 3580+1350 Wheel Base 3580+1350
	2205AH23DQ-410	1	中桥传动轴 Intermediate Axle Propeller Shaft	15000N.m	M11C380E20+12JS160T(2035)+STEYR-6×4 加宽 M11C380E20+12JS160T(2035)+STEYR-6×4 Widened	轴距 3180+1350 Wheel Base 3180+1350
					ISME385 30+ZF16S(1950)+STEYR-6×4 加宽 ISME385 30+ZF16S(1950)+STEYR-6×4 Widened	
					P11C-UR+12JS160T(2035)+STEYR-6×4 加宽 P11C-UR+12JS160T(2035)+STEYR-6×4 Widened	
					P11C-UR+12JS180T(2768)+STEYR-6×4 加宽 P11C-UR+12JS180T(2768)+STEYR-6×4 Widened	
	2205AH31D-410	1	中桥传动轴 Intermediate Axle Propeller Shaft	13000N.m	M11C350E20+ZF16S1650+STEYR-6×4 加宽 M11C350E20+ZF16S1650+STEYR-6×4 Widened	轴距 3580+1350 Wheel Base 3580+1350
					P11C-UL+ZF8S(1650)+STEYR-6×4 加宽 P11C-UL+ZF8S(1650)+STEYR-6×4 Widened	
2205AH36D-510	1	中桥传动轴 Intermediate Axle Propeller Shaft	13000N.m	WP10.336+9JSS180T+ 奔驰桥 -6×4 加宽 WP10.336+9JSS180T+BENZ Axle-6×4 Widened		
2205AH39DQ-410	1	中桥传动轴 Intermediate Axle Propeller Shaft	13000N.m	L345 20+9JS150T(2511)+457-6×4 加宽 L345 20+9JS150T(2511)+457-6×4 Widened	轴距 3030+1350 Wheel Base 3030+1350	
2205AH39DQ-420	1	中桥传动轴 Intermediate Axle Propeller Shaft	13000N.m	WD615.31+9JS119(1576)+STEYR-6×4 加宽 WD615.31+9JS119(1576)+STEYR-6×4 Widened		

中桥传动轴装置图 I / INTERMEDIATE AXLE PROPELLER SHAFT I

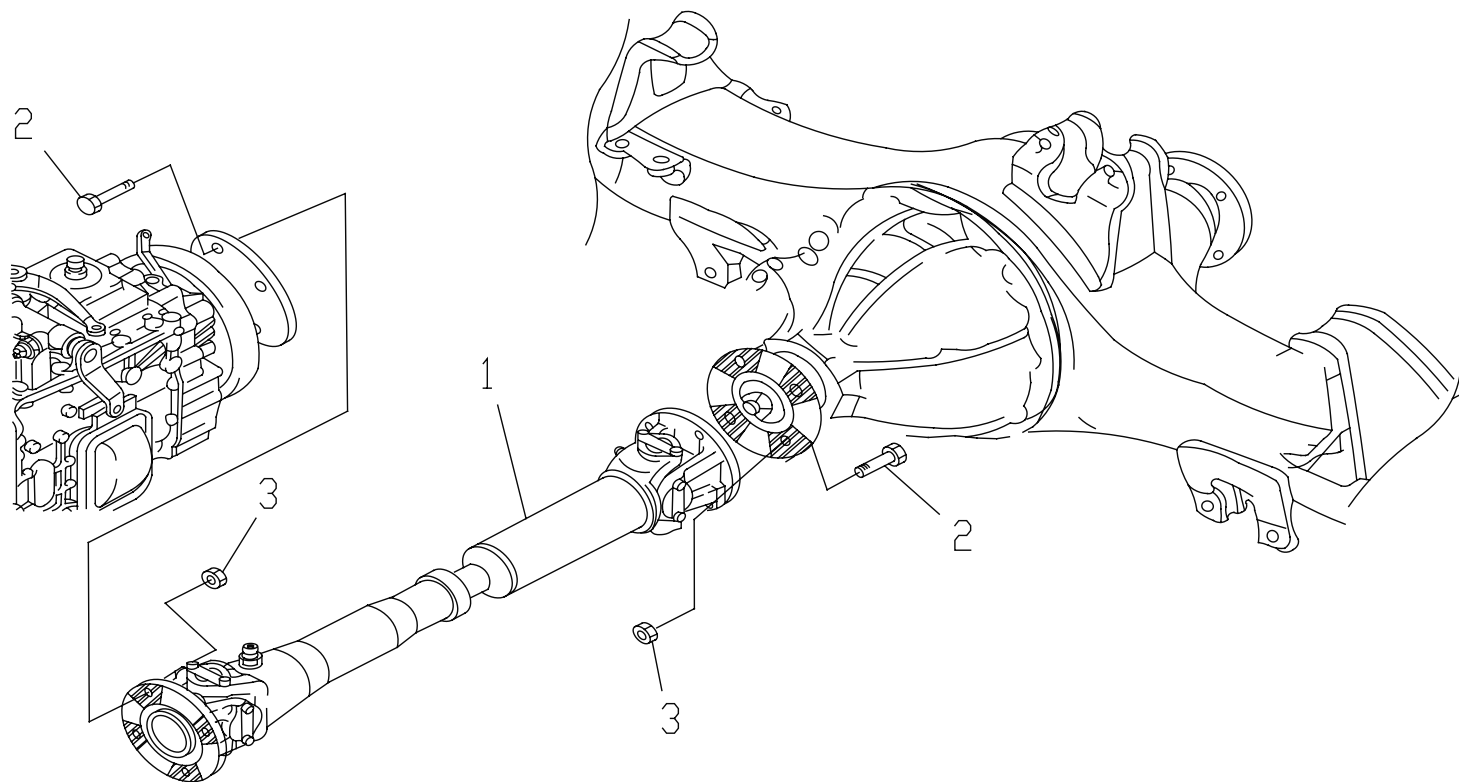
22-E



序号 No.	件号 Part No.	数量 Quantity	名称 Name	规格 Specification	适用产品 Products Applied	备注 Remark
1	2205AH39DQ-420	1	中桥传动轴 Intermediate Axle Propeller Shaft	13000N.m	P11C-UL+RTO-11609E(G865)+457-6×4 加宽 P11C-UL+RTO-11609E(G865)+457-6×4 Widened	轴距 3180+1350 Wheel Base 3180+1350
	2205AH5D-410	1	中桥传动轴 Intermediate Axle Propeller Shaft	15000N.m	WD615.46+ZF8S(1650)+STEYR-6×4 加宽 WD615.46+ZF8S(1650)+STEYR-6×4 Widened	轴距 3580+1350 Wheel Base 3580+1350
	2205AH5DQ-010	1	中桥传动轴 Intermediate Axle Propeller Shaft	15000N.m	WD615.46+12JS160T(2035)+457-6×4 加宽 WD615.46+12JS160T(2035)+457-6×4 Widened	轴距 3030+1350 Wheel Base 3030+1350
	2205AH5DQ-410	1	中桥传动轴 Intermediate Axle Propeller Shaft	15000N.m	WD615.46+RT11509C(G1375)+STEYR-6×4 加宽 WD615.46+RT11509C(G1375)+STEYR-6×4 Widened	轴距 3618+1350 Wheel Base 3180+1350
					M11C380E20+9JS165T(2508)+STEYR-6×4 加宽 M11C380E20+9JS165T(2508)+STEYR-6×4 Widened	轴距 3580+1350 Wheel Base 3580+1350
	2205AH5DQ-420	1	中桥传动轴 Intermediate Axle Propeller Shaft	15000N.m	WD615.38+9JS180(G1376)+STEYR-6×4 加宽 WD615.38+9JS180(G1376)+STEYR-6×4 Widened	轴距 3030+1350 Wheel Base 3030+1350
	2205AH5DZ-010	1	中桥传动轴 Intermediate Axle Propeller Shaft	15000N.m	WD615.46+9JS150T(2512)+457-6×4 加宽 WD615.46+9JS150T(2512)+457-6×4 Widened	轴距 3580+1350 Wheel Base 3580+1350
	2205AH60D-410	1	中桥传动轴 Intermediate Axle Propeller Shaft	15000N.m	WD615.47+12JS180T(2768)+STEYR-6×4 加宽 WD615.47+12JS180T(2768)+STEYR-6×4 Widened	轴距 3030+1350 Wheel Base 3030+1350
	2205AH81D-410	1	中桥传动轴 Intermediate Axle Propeller Shaft	13000N.m	WD12.336+RT11509C(1242)+STEYR-6×4 加宽 WD12.336+RT11509C(1242)+STEYR-6×4 Widened	轴距 3180+1350 Wheel Base 3180+1350
	2205AH82D-010	1	中桥传动轴 Intermediate Axle Propeller Shaft	15000N.m	WD12.375+RT11509C(G1375)+457-6×4 加宽 WD12.375+RT11509C(G1375)+457-6×4 Widened	
	2205AH9D-010	1	中桥传动轴 Intermediate Axle Propeller Shaft	13000N.m	L345 20+12JS160T(2035)+457-6×4 加宽 L345 20+12JS160T(2035)+457-6×4 Widened	轴距 3030+1350 Wheel Base 3030+1350
2205AHD-010	1	中桥传动轴 Intermediate Axle Propeller Shaft	13000N.m	(搅拌机)6D24+M120S5+457-6×4 加宽 (Mixer)6D24+M120S5+457-6×4 Widened	轴距 3580+1350 Wheel Base 3580+1350	

中桥传动轴装置图 I / INTERMEDIATE AXLE PROPELLER SHAFT I

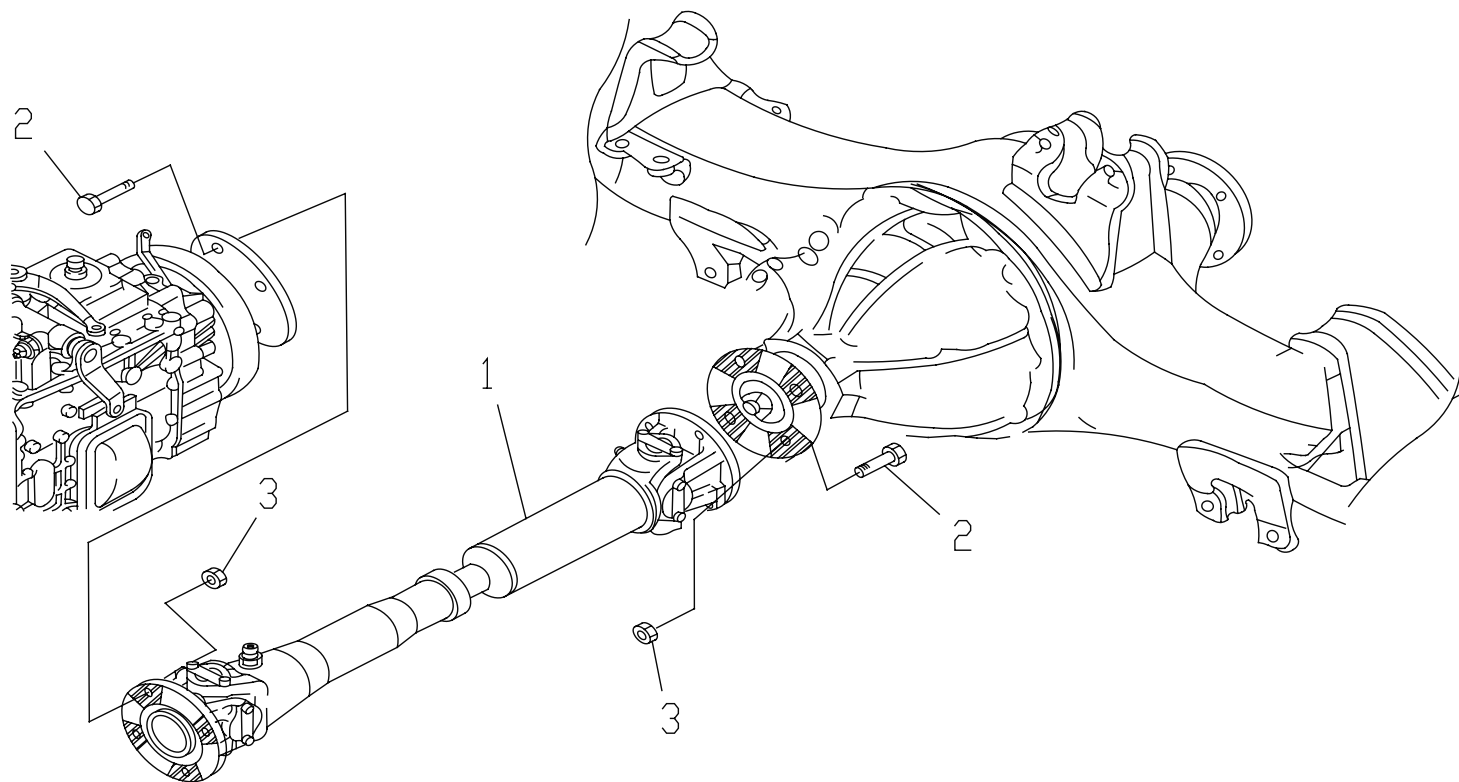
22-E



序号 No.	件号 Part No.	数量 Quantity	名称 Name	规格 Specification	适用产品 Products Applied	备注 Remark
1	2205AHD-430	1	中桥传动轴 Intermediate Axle Propeller Shaft	13000N.m	6D24+M130S6+STEYR-6×4 加宽 6D24+M130S6+STEYR-6×4 Widened	轴距 3530+1450 Wheel Base 3530+1450
	2205AHD-430	1	中桥传动轴 Intermediate Axle Propeller Shaft	13000N.m	(搅拌机)6D24+M120S5+STEYR-6×4 加宽 (Mixer)6D24+M120S5+STEYR-6×4 Widened	轴距 3580+1350 Wheel Base 3580+1350
	2205AHDQ-010	1	中桥传动轴 Intermediate Axle Propeller Shaft	13000N.m	6D24+M120S5+457-6×4 加宽 6D24+M120S5+457-6×4 Widened	轴距 3030+1350 Wheel Base 3030+1350
	2205AHDZ-010	1	中桥传动轴 Intermediate Axle Propeller Shaft	13000N.m	6D24+M130S6+STEYR-6×4 加宽 6D24+M130S6+STEYR-6×4 Widened	轴距 3580+1350 Wheel Base 3580+1350
	2205A19DQ-410	1	中桥传动轴 Intermediate Axle Propeller Shaft	15000N.m	WD615.38+RT-11509C(1375)+STEYR-6×4	轴距 3050+1310 Wheel Base 3050+1310
	2205A18DQ-420	1	中桥传动轴 Intermediate Axle Propeller Shaft	15000N.m	L375 20+ RT-11509C(1375)+STEYR-6×4	轴距 3050+1310 Wheel Base 3050+1310
	2205A5DQ-010	1	中桥传动轴 Intermediate Axle Propeller Shaft	15000N.m	WD615.38+ RT-11509C(1375)+457-6×4	轴距 3050+1310 Wheel Base 3050+1310
	2205A18DQ-010	1	中桥传动轴 Intermediate Axle Propeller Shaft	15000N.m	L375 20+ RT-11509C(1375)+457-6×4	轴距 3050+1310 Wheel Base 3050+1310
	2205A5DZ-410	1	中桥传动轴 Intermediate Axle Propeller Shaft	15000N.m	WD615.38+ RT-11509C(1375)+STEYR-6×4 加宽 WD615.38+ RT-11509C(1375)+STEYR-6×4 Widened	轴距 3600+1350 Wheel Base 3600+1350
	2205AH18DQ-410	1	中桥传动轴 Intermediate Axle Propeller Shaft	15000N.m	L375 20+ RT-11509C(1375)+STEYR-6×4 加宽 L375 20+ RT-11509C(1375)+STEYR-6×4 Widened	轴距 3050+1350 Wheel Base 3050+1350
	2205A23DQ-420	1	中桥传动轴 Intermediate Axle Propeller Shaft	15000N.m	WD615.38+ RT-11509C(1375)+457-6×4 加宽 WD615.38+ RT-11509C(1375)+457-6×4 Widened	轴距 3200+1350 Wheel Base 3200+1350
2205AH18DQ-010	1	中桥传动轴 Intermediate Axle Propeller Shaft	15000N.m	L375 20+ RT-11509C(1375)+457-6×4 加宽 L375 20+ RT-11509C(1375)+457-6×4 Widened	轴距 3200+1350 Wheel Base 3200+1350	

中桥传动轴装置图 I / INTERMEDIATE AXLE PROPELLER SHAFT I

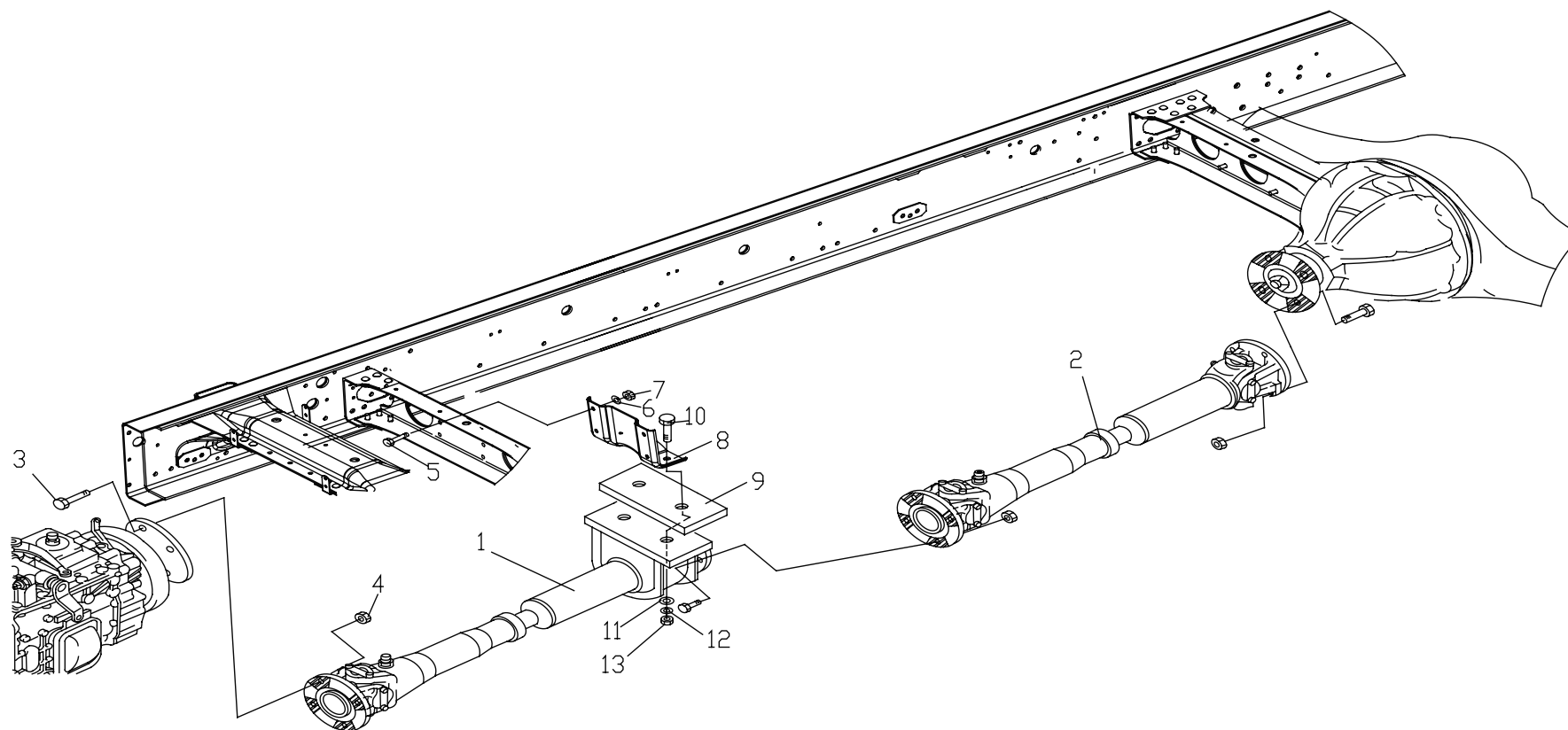
22-E



序号 No.	件号 Part No.	数量 Quantity	名称 Name	规格 Specification	适用产品 Products Applied	备注 Remark
2	22AD-01111	8	六角螺栓 Hexagon Bolt			
3	Q334B14	8	六角锁止螺母 Hexagon Lock Nut			

中桥传动轴装置图 II / INTERMEDIATE AXLE PROPELLER SHAFT II

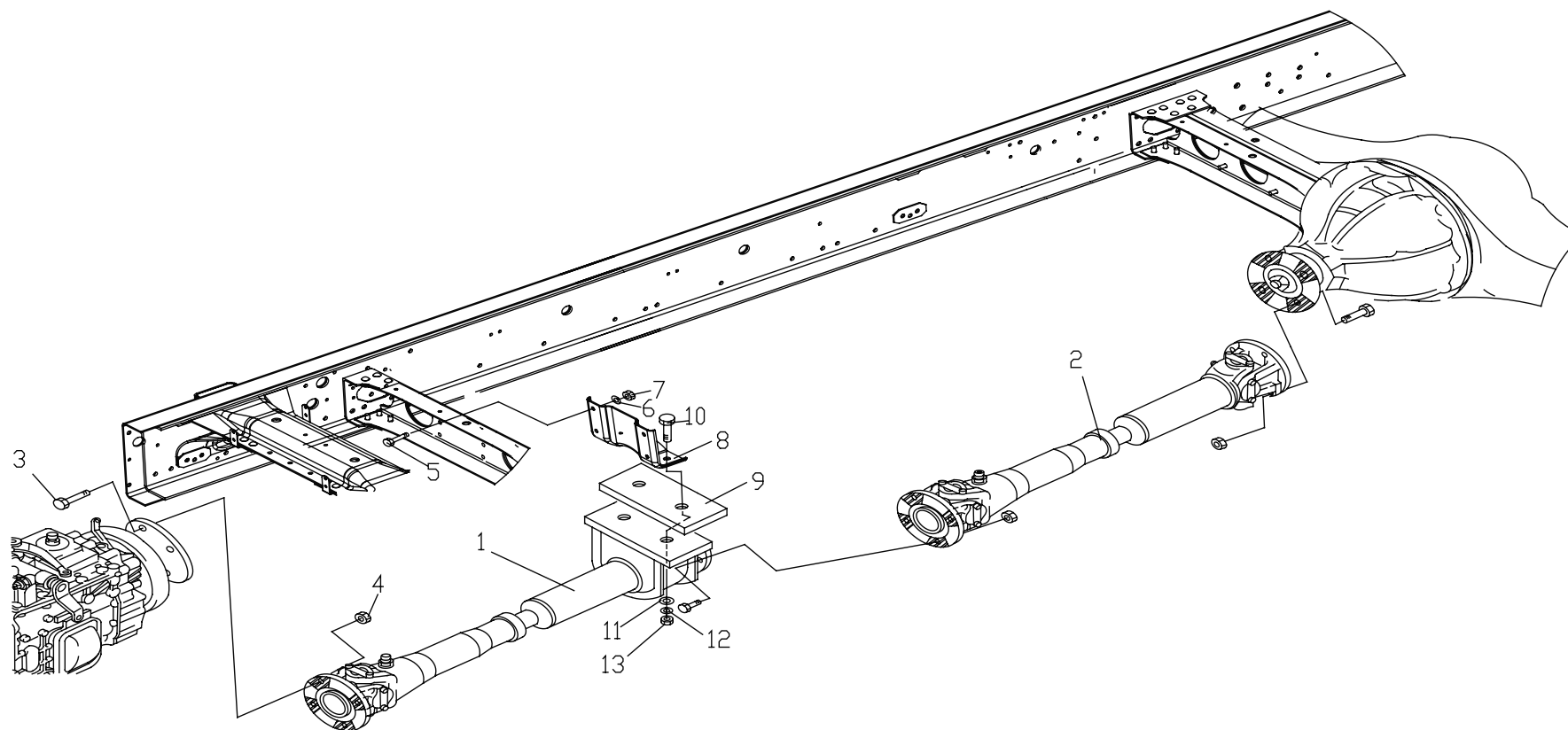
22-F



序号 No.	件号 Part No.	数量 Quantity	名称 Name	规格 Specification	适用产品 Products Applied	备注 Remark
1	2206A10DP4-010	1	中桥中间传动轴 Intermediate Axle Middle Propeller Shaft	13000N.m	(搅拌车)L345 20+9JS150T(2511)+457-6×4 加宽 (Mixer)L345 20+9JS150T(2511)+457-6×4 Widened	轴距 1850+3350+1350 Wheel Base 1850+3350+1350
					(搅拌车)C9-350HP+9JS150T(2512)+STEYR-6×4 加宽 (Mixer)C9-350HP+9JS150T(2512)+STEYR-6×4 Widened	
	2206A16D-030	1	中桥中间传动轴 Intermediate Axle Middle Propeller Shaft	15000N.m	(搅拌车)P11C-UR+ZF16S(1650)+457-6×4 加宽 (Mixer)P11C-UR+ZF16S(1650)+457-6×4 Widened	
	2206A19D-010	1	中桥中间传动轴 Intermediate Axle Middle Propeller Shaft	15000N.m	WD615.47+12JS180T(2768)+STEYR-6×4 加宽 WD615.47+12JS180T(2768)+STEYR-6×4 Widened	轴距 5200+1350 Wheel Base 5200+1350
					WD615.38+12JS160T(2035)+STEYR-6×4 加宽 WD615.38+12JS160T(2035)+STEYR-6×4 Widened	
	2206A20DP3-410	1	中桥中间传动轴 Intermediate Axle Middle Propeller Shaft	13000N.m	WD615.50+9JS119(1576)+STEYR-6×4 加宽 WD615.50+9JS119(1576)+STEYR-6×4 Widened	轴距 1850+3350+1350 Wheel Base 1850+3350+1350
					WD615.56+9JS119(1576)+457-6×4 加宽 WD615.56+9JS119(1576)+457-6×4 Widened	
					(搅拌车)C9-350HP+ZF16S(1650)+STEYR-6×4 加宽 (Mixer)C9-350HP+ZF16S(1650)+STEYR-6×4 Widened	
					(搅拌车)C9-350HP+ZF16S(1650)+奔驰桥-6×4 加宽 (Mixer)C9-350HP+ZF16S(1650)+BENZ Axle-6×4 Widened	
	2206A23D-420	1	中桥中间传动轴 Intermediate Axle Middle Propeller Shaft	15000N.m	M11C380E20+9JS165T(2508)+STEYR-6×4 加宽 M11C380E20+9JS165T(2508)+STEYR-6×4 Widened	
2206A23D-430	1	中桥中间传动轴 Intermediate Axle Middle Propeller Shaft	15000N.m	(搅拌车)M11C380E20+9JS165T(2508)+STEYR-6×4 加宽 (Mixer)M11C380E20+9JS165T(2508)+STEYR-6×4 Widened		
2206A3DP3-010	1	中桥中间传动轴 Intermediate Axle Middle Propeller Shaft	13000N.m	(搅拌车)6WF1+MJD7S+457-6×4 加宽 (Mixer)6WF1+MJD7S+457-6×4 Widened		

中桥传动轴装置图 II / INTERMEDIATE AXLE PROPELLER SHAFT II

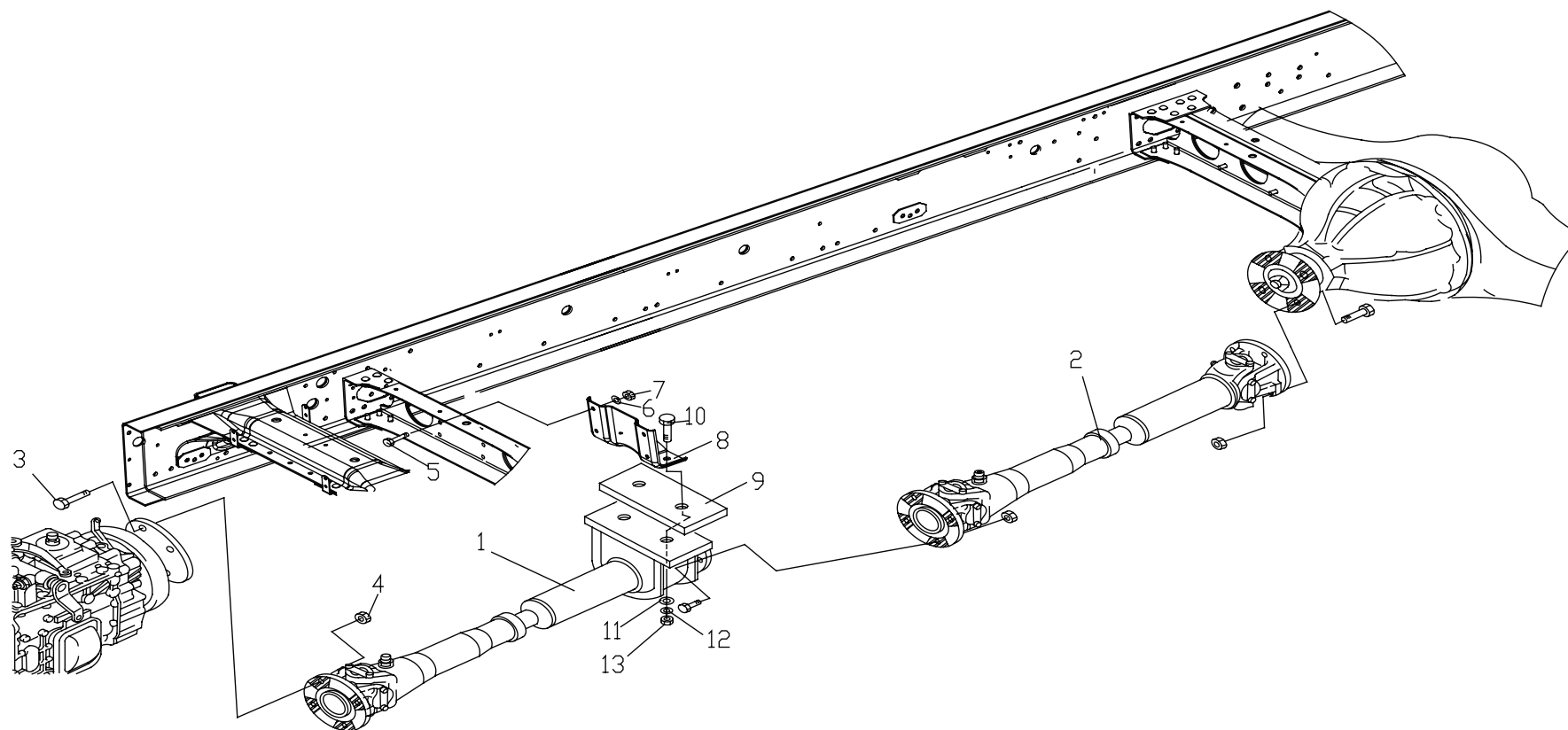
22-F



序号 No.	件号 Part No.	数量 Quantity	名称 Name	规格 Specification	适用产品 Products Applied	备注 Remark
1	2206A5DP1-010	1	中桥中间传动轴 Intermediate Axle Middle Propeller Shaft	15000N.m	WD615.38+9JS150T(2512)+457-6×4 加宽 WD615.38+9JS150T(2512)+457-6×4 Widened	轴距 5200+1350 Wheel Base 5200+1350
	2206A5DP4-010	1	中桥中间传动轴 Intermediate Axle Middle Propeller Shaft	15000N.m	(搅拌机)WD615.46+RT11509C(G1375)+STEYR-6×4 加宽 (Mixer)WD615.46+RT11509C(G1375)+STEYR-6×4 Widened	轴距 1850+3350+1350 Wheel Base 1850+3350+1350
					(搅拌机)WD615.46+9JS150T(2512)+457-6×4 加宽 (Mixer)WD615.46+9JS150T(2512)+457-6×4 Widened	轴距 5200+1350 Wheel Base 5200+1350
	2206A6DP1-310	1	中桥中间传动轴 Intermediate Axle Middle Propeller Shaft	13000N.m	(搅拌机)P11C-UJ+9JS135T(1916)+STEYR-6×4 加宽 (Mixer)P11C-UJ+9JS135T(1916)+STEYR-6×4 Widened	轴距 1850+3350+1350 Wheel Base 1850+3350+1350
					(搅拌机)P11C-UL+9JS150T(2511)+457-6×4 加宽 (Mixer)P11C-UL+9JS150T(2511)+457-6×4 Widened	
	2206A6DP9-310	1	中桥中间传动轴 Intermediate Axle Middle Propeller Shaft	13000N.m	WD615.56+8JS118+STEYR-6×4 加宽 WD615.56+8JS118+STEYR-6×4 Widened	轴距 4416+1350 Wheel Base 4416+1350
	2206A6DP9-310	1	中桥中间传动轴 Intermediate Axle Middle Propeller Shaft	13000N.m	WD615.56+8JS118+STEYR-6×4 加宽 WD615.56+8JS118+STEYR-6×4 Widened	轴距 4728+1350 Wheel Base 14728+1350
					WD615.50+9JS119(1576)+STEYR-6×4 加宽 WD615.50+9JS119(1576)+STEYR-6×4 Widened	轴距 4080+1350 Wheel Base 4080+1350
					WD615.50+9JS119(1576)+STEYR-6×4 加宽 WD615.50+9JS119(1576)+STEYR-6×4 Widened	轴距 4380+1350 Wheel Base 4380+1350
					WD615.56+8JS118+STEYR-6×4 加宽 WD615.56+8JS118+STEYR-6×4 Widened	轴距 4690+1350 Wheel Base 4690+1350
WD615.34+9JS119(1576)+457-6×4 加宽 WD615.34+9JS119(1576)+457-6×4 Widened					轴距 4380+1350 Wheel Base 4380+1350	
WD615.56+8JS118+457-6×4 加宽 WD615.56+8JS118+457-6×4 Widened					轴距 4690+1350 Wheel Base 4690+1350	

中桥传动轴装置图 II / INTERMEDIATE AXLE PROPELLER SHAFT II

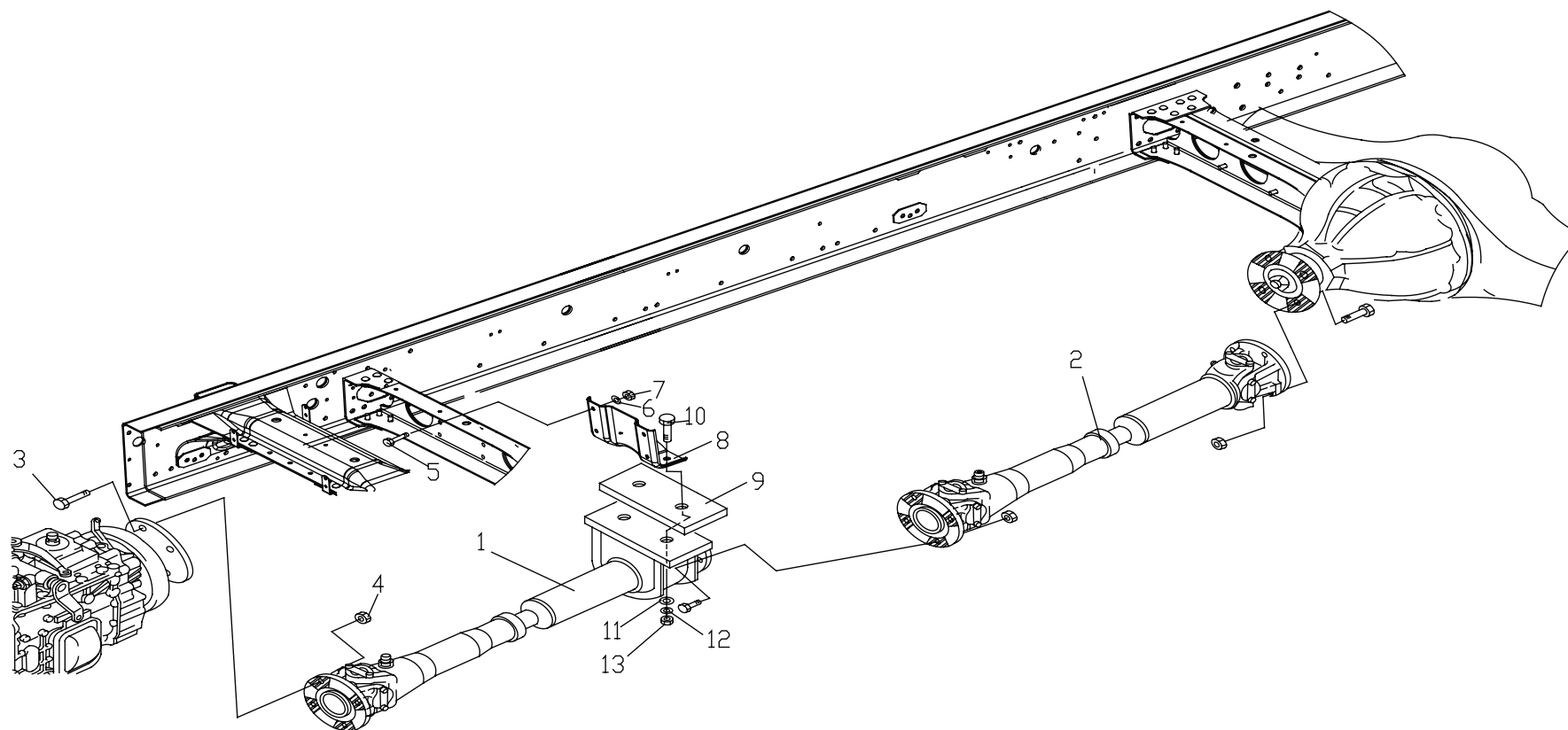
22-F



序号 No.	件号 Part No.	数量 Quantity	名称 Name	规格 Specification	适用产品 Products Applied	备注 Remark
1	2206A6DP9-310	1	中桥中间传动轴 Intermediate Axle Middle Propeller Shaft	13000N.m	ISLe35030+9JS150T(2512)+STEYR-6×4 加宽 ISLe35030+9JS150T(2512)+STEYR-6×4 Widened	轴距 3800 Wheel Base 3800
	2206A7DP1-310	1	中桥中间传动轴 Intermediate Axle Middle Propeller Shaft	13000N.m	L345 20+9JS150T(2511)+STEYR-6×4 加宽 L345 20+9JS150T(2511)+STEYR-6×4 Widened	轴距 1850+3350+1350 Wheel Base 1850+3350+1350
					C300 20+9JS119(1576)+457-6×4 加宽 C300 20+9JS119(1576)+457-6×4 Widened	轴距 5200+1350 Wheel Base 5200+1350
	2206A7DP-310	1	中桥中间传动轴 Intermediate Axle Middle Propeller Shaft	13000N.m	L345 20+8JS118+457-6×4 加宽 L345 20+8JS118+457-6×4 Widened	轴距 4960+1350 Wheel Base 4690+1350
	2206AD4-010	1	中桥中间传动轴 Intermediate Axle Middle Propeller Shaft	13000N.m	(搅拌车)6D24+M130S6+457-6×4 加宽 (Mixer)6D24+M130S6+457-6×4 Widened	轴距 1850+3350+1350 Wheel Base 1850+3350+1350
	2206AD4-410	1	中桥中间传动轴 Intermediate Axle Middle Propeller Shaft	13000N.m	(搅拌车)6D24+M120S5+STEYR-6×4 加宽 (Mixer)6D24+M120S5+STEYR-6×4 Widened	
					(搅拌车)6D24+M120S5+457-6×4 加宽 (Mixer)6D24+M120S5+457-6×4 Widened	
	2206AD4-420	1	中桥中间传动轴 Intermediate Axle Middle Propeller Shaft	13000N.m	6D24+M130S6+STEYR-6×4 加宽 6D24+M130S6+STEYR-6×4 Widened	轴距 1850+3300+1450 Wheel Base 1850+3300+1450
					6D24+M130S6+STEYR-6×4 加宽 6D24+M130S6+STEYR-6×4 Widened	
2206ADP1-010	1	中桥中间传动轴 Intermediate Axle Middle Propeller Shaft	13000N.m	6D24+M130S6+457-6×4 加宽 6D24+M130S6+457-6×4 Widened	轴距 1850+3350+1350 Wheel Base 1850+3350+1350	
2206AH16D-010	1	中桥中间传动轴 Intermediate Axle Middle Propeller Shaft	13000N.m	P11C-UL+9JS150T(2511)+457-6×4 加宽 P11C-UL+9JS150T(2511)+457-6×4 Widened C9-350HP+ZF16S(1650)+STEYR-6×4 加宽 C9-350HP+ZF16S(1650)+STEYR-6×4 Widened		

中桥传动轴装置图 II / INTERMEDIATE AXLE PROPELLER SHAFT II

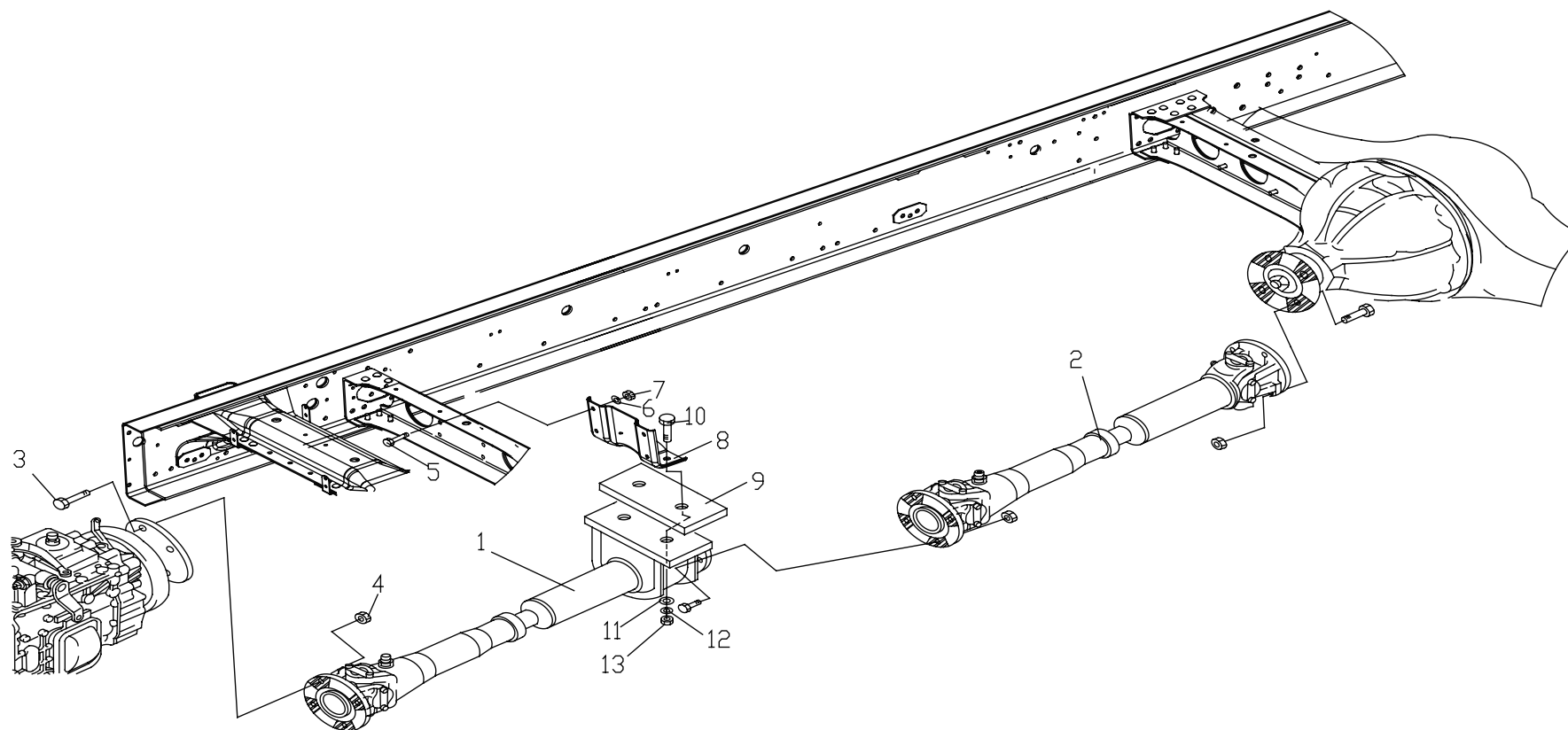
22-F



序号 No.	件号 Part No.	数量 Quantity	名称 Name	规格 Specification	适用产品 Products Applied	备注 Remark
1	2206AH18D-010	1	中桥中间传动轴 Intermediate Axle Middle Propeller Shaft	15000N.m	L375 20+9JS150T(2512)+457-6×4 加宽 L375 20+9JS150T(2512)+457-6×4 Widened	轴距 1850+3350+1350 Wheel Base 1850+3350+1350
	2206AH18D-410	1	中桥中间传动轴 Intermediate Axle Middle Propeller Shaft	15000N.m	M11C380E20+9JS165T(3005)+STEYR-6×4 加宽 M11C380E20+9JS165T(3005)+STEYR-6×4 Widened	
	2206AH19D-430	1	中桥中间传动轴 Intermediate Axle Middle Propeller Shaft	15000N.m	C9-350HP+ZF16S(1650)+STEYR-6×4 加宽 C9-350HP+ZF16S(1650)+STEYR-6×4 Widened	轴距 4030+1450 Wheel Base 4030+1450
					C9-350HP+ZF16S(1650)+ 奔驰桥 -6×4 加宽 C9-350HP+ZF16S(1650)+BENZ Axle-6×4 Widened	
	2206AH44D-010	1	中桥中间传动轴 Intermediate Axle Middle Propeller Shaft	13000N.m	(搅拌车)P11C-UJ+9JS150T(2511)+457-6×4 加宽 (Mixer)P11C-UJ+9JS150T(2511)+457-6×4 Widened	轴距 4080+1350 Wheel Base 4080+1350
	2206AH61D-410	1	中桥中间传动轴 Intermediate Axle Middle Propeller Shaft	13000N.m	P11C-UL+9JS150T-B(2512)+STEYR-6×4 加宽 P11C-UL+9JS150T-B(2512)+STEYR-6×4 Widened	轴距 1850+3350+1350 Wheel Base 1850+3350+1350
	2206AH82D-010	1	中桥中间传动轴 Intermediate Axle Middle Propeller Shaft	15000N.m	(搅拌车)WP10.375+9JS150T(2512)+457-6× 4 加宽 (Mixer)WP10.375+9JS150T(2512)+457-6×4 Widened	轴距 4080+1350 Wheel Base 4080+1350
	2206AHD-410	1	中桥中间传动轴 Intermediate Axle Middle Propeller Shaft	15000N.m	6D24+M130S6+STEYR-6×4 加宽 6D24+M130S6+STEYR-6×4 Widened	轴距 4030+1450 Wheel Base 4030+1450
6D24+M130S6+STEYR-6×4 加宽 6D24+M130S6+STEYR-6×4 Widened					轴距 4080+1350 Wheel Base 4080+1350	
2206AHD-420	1	中桥中间传动轴 Intermediate Axle Middle Propeller Shaft	15000N.m	(搅拌车)6D24+M130S6+STEYR-6×4 加宽 (Mixer)6D24+M130S6+STEYR-6×4 Widened	轴距 4030+1450 Wheel Base 4030+1450	
2	2201A22DQ1-810	1	后桥传动轴 Rear Axle Propeller Shaft	15000N.m	WD615.47+12JS180T(2768)+STEYR-6×4 加宽 WD615.47+12JS180T(2768)+STEYR-6×4 Widened	轴距 1850+3350+1350 Wheel Base 1850+3350+1350
					WD615.38+12JS160T(2035)+STEYR-6×4 加宽 WD615.38+12JS160T(2035)+STEYR-6×4 Widened	轴距 5200+1350 Wheel Base 5200+1350

中桥传动轴装置图 II / INTERMEDIATE AXLE PROPELLER SHAFT II

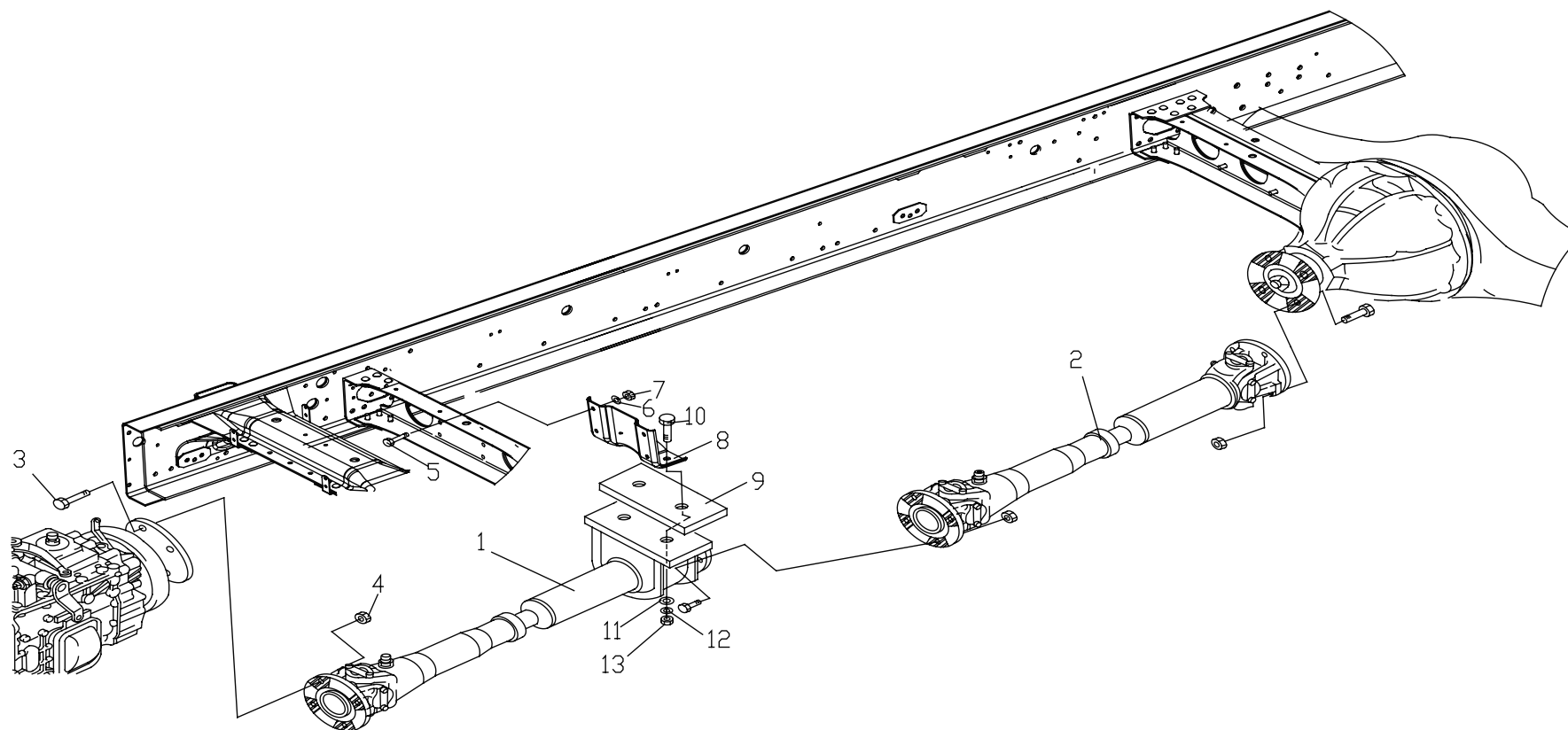
22-F



序号 No.	件号 Part No.	数量 Quantity	名称 Name	规格 Specification	适用产品 Products Applied	备注 Remark
2	2201A22DQ1-810	1	后桥传动轴 Rear Axle Propeller Shaft	15000N.m	(搅拌机)WD615.46+RT11509C(G1375)+STEYR-6×4 加宽 (Mixer)WD615.46+RT11509C(G1375)+STEYR-6×4 Widened M11C380E20+9JS165T(2508)+STEYR-6×4 加宽 M11C380E20+9JS165T(2508)+STEYR-6×4 Widened M11C380E20+9JS165T(3005)+STEYR-6×4 加宽 M11C380E20+9JS165T(3005)+STEYR-6×4 Widened (搅拌机)M11C380E20+9JS165T(2508)+STEYR-6×4 加宽 (Mixer)M11C380E20+9JS165T(2508)+STEYR-6×4 Widened	轴距 1850+3350+1350 Wheel Base 1850+3350+1350
	2201A6DQ1-210	1	后桥传动轴 Rear Axle Propeller Shaft	13000N.m	WD615.50+9JS119(1576)+STEYR-6×4 加宽 WD615.50+9JS119(1576)+STEYR-6×4 Widened	
	2205A16D-020	1	中桥传动轴 Intermediate Axle Propeller Shaft	15000N.m	WD615.38+9JS150T(2512)+457-6×4 加宽 WD615.38+9JS150T(2512)+457-6×4 Widened	
	2205A16D-020	1	中桥传动轴 Intermediate Axle Propeller Shaft	15000N.m	(搅拌机)WD615.46+9JS150T(2512)+457-6×4 加宽 (Mixer)WD615.46+9JS150T(2512)+457-6×4 Widened L375 20+9JS150T(2512)+457-6×4 加宽 L375 20+9JS150T(2512)+457-6×4 Widened (搅拌机)P11C-UR+ZF16S(1650)+457-6×4 加宽 (Mixer)P11C-UR+ZF16S(1650)+457-6×4 Widened	轴距 1850+3350+1350 Wheel Base 1850+3350+1350
	2205A17DQ-010	1	中桥传动轴 Intermediate Axle Propeller Shaft	13000N.m	WD615.34+9JS119(1576)+457-6×4 加宽 WD615.34+9JS119(1576)+457-6×4 Widened	轴距 4380+1350 Wheel Base 4380+1350
	2205A21D-010	1	中桥传动轴 Intermediate Axle Propeller Shaft	13000N.m	6D24+M130S6+STEYR-6×4 加宽 6D24+M130S6+STEYR-6×4 Widened	轴距 1850+3350+1450 Wheel Base 1850+3350+1450
	2205A2D-410	1	中桥传动轴 Intermediate Axle Propeller Shaft	13000N.m	WD615.56+8JS118+STEYR-6×4 加宽 WD615.56+8JS118+STEYR-6×4 Widened	轴距 4728+1350 Wheel Base 4728+1350

中桥传动轴装置图 II / INTERMEDIATE AXLE PROPELLER SHAFT II

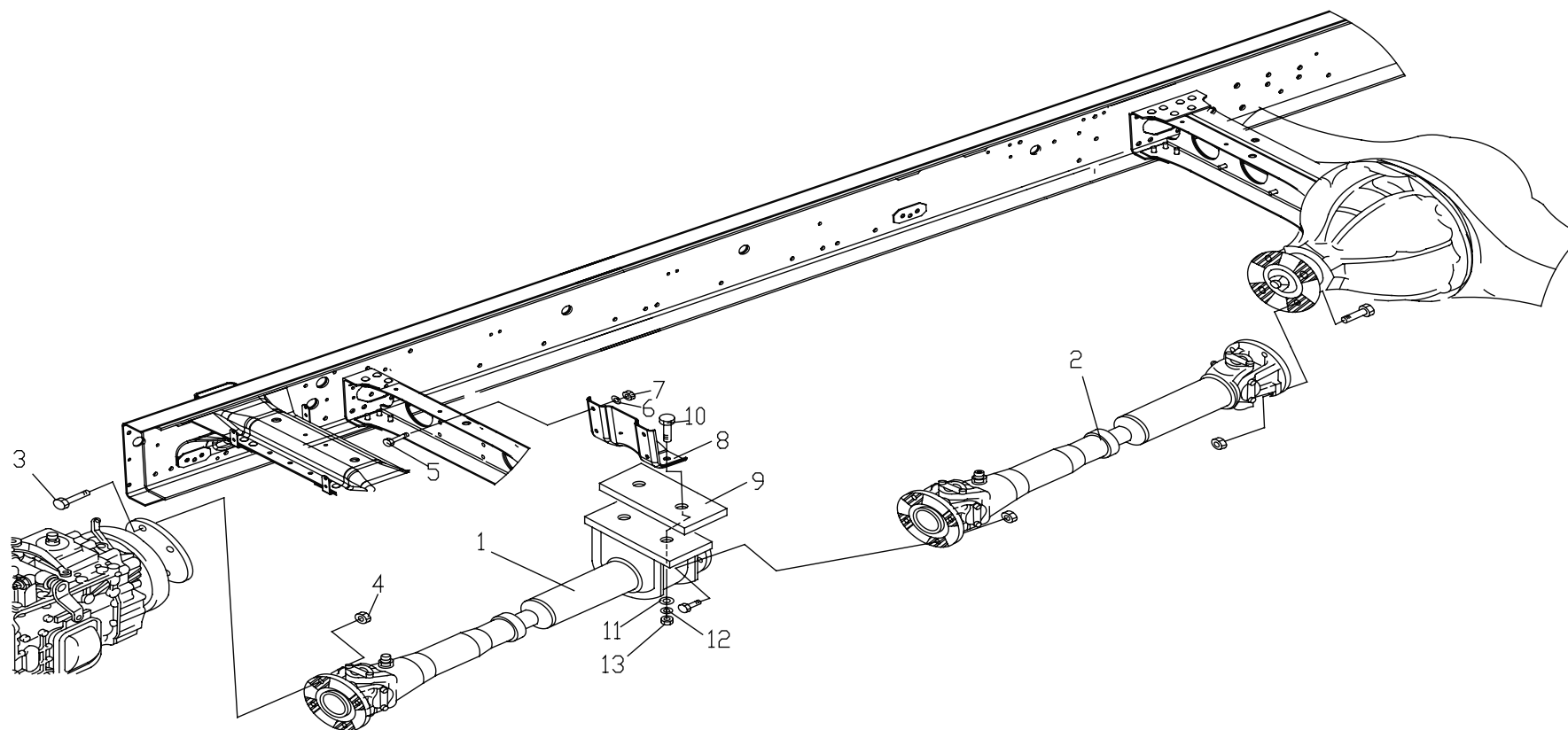
22-F



序号 No.	件号 Part No.	数量 Quantity	名称 Name	规格 Specification	适用产品 Products Applied	备注 Remark
2	2205A3D-010	1	中桥传动轴 Intermediate Axle Propeller Shaft	13000N.m	WD615.50+9JS119(1576)+STEYR-6×4 加宽 WD615.50+9JS119(1576)+STEYR-6×4 Widened	轴距 4380+1350 Wheel Base 4380+1350
	2205A3DP3-010	1	中桥传动轴 Intermediate Axle Propeller Shaft	13000N.m	WD615.56+8JS118+457-6×4 加宽 WD615.56+8JS118+457-6×4 Widened	轴距 4690+1350 Wheel Base 4690+1350
					WD615.56+9JS119(1576)+457-6×4 加宽 WD615.56+9JS119(1576)+457-6×4 Widened	轴距 1850+3350+1350 Wheel Base 1850+3350+1350
					(搅拌机)L345 20+9JS150T(2511)+457-6×4 加宽 (Mixer)L345 20+9JS150T(2511)+457-6×4 Widened	
	(搅拌机)6WF1+MJD7S+457-6×4 加宽 (Mixer)6WF1+MJD7S+457-6×4 Widened					
	2205A4DZ-410	1	中桥传动轴 Intermediate Axle Propeller Shaft	13000N.m	(搅拌机)WD615.34+9JS119(1576)+457-6×4 加宽 (Mixer)WD615.34+9JS119(1576)+457-6×4 Widened	轴距 4080+1350 Wheel Base 4080+1350
	2205A5DQ-030	1	中桥传动轴 Intermediate Axle Propeller Shaft	15000N.m	C9-350HP+ZF16S(1650)+STEYR-6×4 加宽 C9-350HP+ZF16S(1650)+STEYR-6×4 Widened	轴距 4030+1450 Wheel Base 4030+1450
		1			C9-350HP+ZF16S(1650)+ 奔驰桥 -6×4 加宽 C9-350HP+ZF16S(1650)+BENZ Axle-6×4 Widened	
	2205A9DP5-010	1	中桥传动轴 Intermediate Axle Propeller Shaft	13000N.m	WD615.56+8JS118+STEYR-6×4 加宽 WD615.56+8JS118+STEYR-6×4 Widened	轴距 4416+1350 Wheel Base 4416+1350
2205A9DZ14-820	1	中桥传动轴 Intermediate Axle Propeller Shaft	13000N.m	ISLe35030+9JS150T(2512)+STEYR-6×4 加宽 ISLe35030+9JS150T(2512)+STEYR-6×4 Widened	轴距 3800 Wheel Base 3800	
2205ADP3-020	1	中桥传动轴 Intermediate Axle Propeller Shaft	13000N.m	(搅拌机)6D24+M120S5+457-6×4 加宽 (Mixer)6D24+M120S5+457-6×4 Widened	轴距 1850+3350+1350 Wheel Base 1850+3350+1350	
2205AH11D-010	1	中桥传动轴 Intermediate Axle Propeller Shaft	13000N.m	(搅拌机)P11C-UJ+9JS150T(2511)+457-6×4 加宽 (Mixer)P11C-UJ+9JS150T(2511)+457-6×4 Widened	轴距 4080+1350 Wheel Base 4080+1350	

中桥传动轴装置图 II / INTERMEDIATE AXLE PROPELLER SHAFT II

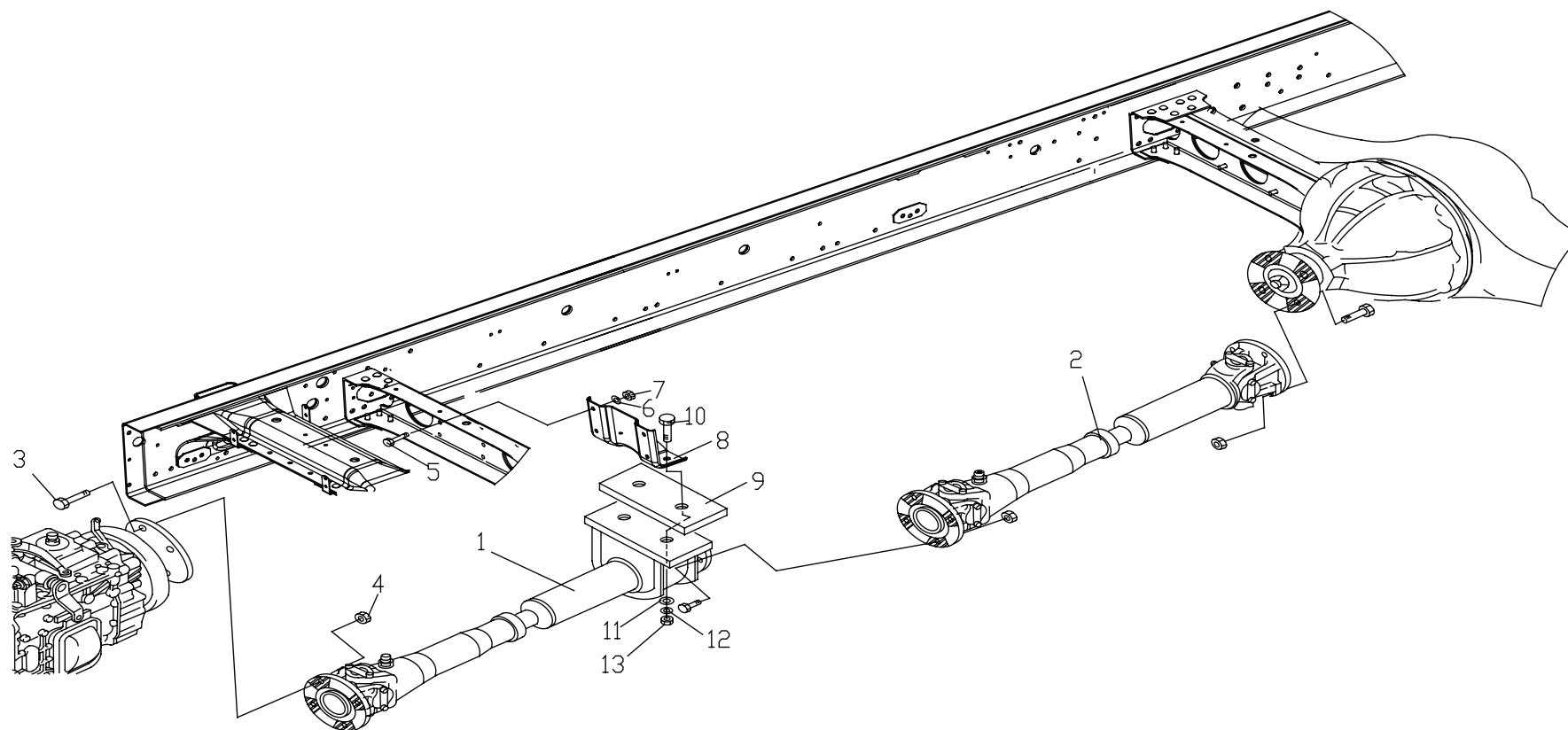
22-F



序号 No.	件号 Part No.	数量 Quantity	名称 Name	规格 Specification	适用产品 Products Applied	备注 Remark
2	2205AH18D-010	1	中桥传动轴 Intermediate Axle Propeller Shaft	13000N.m	P11C-UL+9JS150T-B(2512)+STEYR-6×4 加宽 P11C-UL+9JS150T-B(2512)+STEYR-6×4 Widened	轴距 1850+3350+1350 Wheel Base 1850+3350+1350
					(搅拌车)P11C-UJ+9JS135T(1916)+STEYR-6×4 加宽 (Mixer)P11C-UJ+9JS135T(1916)+STEYR-6×4 Widened	
	2205AH20DZ-410	1	中桥传动轴 Intermediate Axle Propeller Shaft	13000N.m	WD615.50+9JS119(1576)+STEYR-6×4 加宽 WD615.50+9JS119(1576)+STEYR-6×4 Widened	轴距 4080+1350 Wheel Base 4080+1350
	2205AH4D-010	1	中桥传动轴 Intermediate Axle Propeller Shaft	13000N.m	C300 20+9JS119(1576)+457-6×4 加宽 C300 20+9JS119(1576)+457-6×4 Widened	轴距 5200+1350 Wheel Base 5200+1350
					L345 20+8JS118+457-6×4 加宽 L345 20+8JS118+457-6×4 Widened	轴距 4690+1350 Wheel Base 4690+1350
					P11C-UL+9JS150T(2511)+457-6×4 加宽 P11C-UL+9JS150T(2511)+457-6×4 Widened	轴距 1850+3350+1350 Wheel Base 1850+3350+1350
	(搅拌车)P11C-UL+9JS150T(2511)+457-6×4 加宽 (Mixer)P11C-UL+9JS150T(2511)+457-6×4 Widened					
	2205AH5DQ-010	1	中桥传动轴 Intermediate Axle Propeller Shaft	15000N.m	(搅拌车)WP10.375+9JS150T(2512)+457-6×4 加宽 (Mixer)WP10.375+9JS150T(2512)+457-6×4 Widened	轴距 4080+1350 Wheel Base 4080+1350
	2205AH6D-410	1	中桥传动轴 Intermediate Axle Propeller Shaft	13000N.m	WD615.56+8JS118+STEYR-6×4 加宽 WD615.56+8JS118+STEYR-6×4 Widened	轴距 4690+1350 Wheel Base 4690+1350
					L345 20+9JS150T(2511)+STEYR-6×4 加宽 L345 20+9JS150T(2511)+STEYR-6×4 Widened	轴距 1850+3350+1350 Wheel Base 1850+3350+1350
6D24+M130S6+STEYR-6×4 加宽 6D24+M130S6+STEYR-6×4 Widened						
(搅拌车)6D24+M120S5+STEYR-6×4 加宽 (Mixer)6D24+M120S5+STEYR-6×4 Widened						

中桥传动轴装置图 II / INTERMEDIATE AXLE PROPELLER SHAFT II

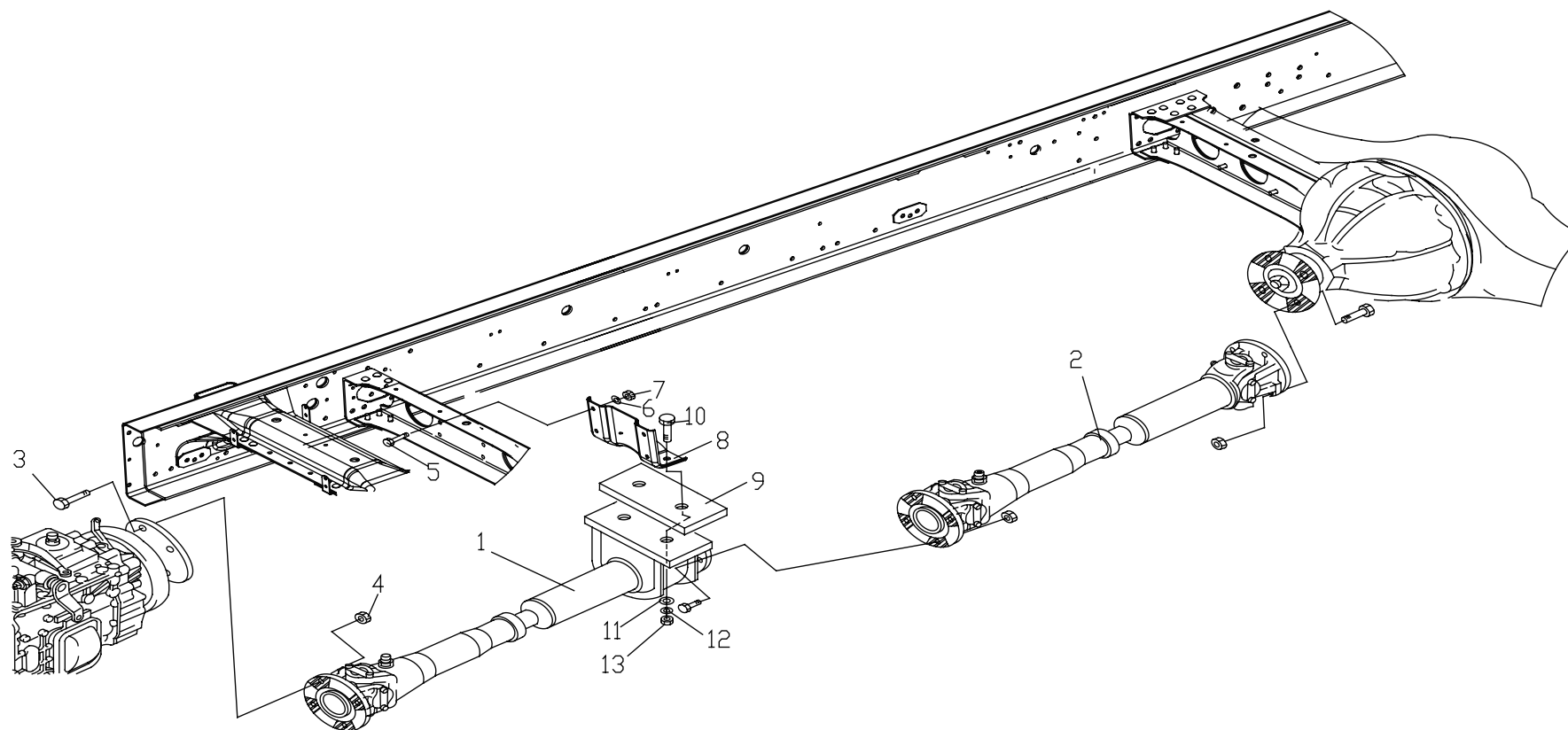
22-F



序号 No.	件号 Part No.	数量 Quantity	名称 Name	规格 Specification	适用产品 Products Applied	备注 Remark
2	2205AH6D-410	1	中桥传动轴 Intermediate Axle Propeller Shaft	13000N.m	C9-350HP+ZF16S(1650)+STEYR-6×4 加宽 C9-350HP+ZF16S(1650)+STEYR-6×4 Widened	轴距 1850+3350+1350 Wheel Base 1850+3350+1350
					(搅拌机)C9-350HP+ZF16S(1650)+STEYR-6 ×4 加宽 (Mixer)C9-350HP+ZF16S(1650)+STEYR-6×4 Widened	
					(搅拌机)C9-350HP+9JS150T(2512)+STEYR-6 ×4 加宽 (Mixer)C9-350HP+9JS150T(2512)+STEYR-6 ×4 Widened	
					(搅拌机)C9-350HP+ZF16S(1650)+ 奔驰桥 -6 ×4 加宽 (Mixer)C9-350HP+ZF16S(1650)+BENZ Axle-6×4 Widened	
	2205AHD-020	1	中桥传动轴 Intermediate Axle Propeller Shaft	13000N.m	6D24+M130S6+457-6×4 加宽 6D24+M130S6+457-6×4 Widened	
					(搅拌机)6D24+M130S6+457-6×4 加宽 (Mixer)6D24+M130S6+457-6×4 Widened	
	2205AHD-410	1	中桥传动轴 Intermediate Axle Propeller Shaft	15000N.m	6D24+M130S6+STEYR-6×4 加宽 6D24+M130S6+STEYR-6×4 Widened	轴距 4080+1350 Wheel Base 4080+1350
	2205AHD-420	1	中桥传动轴 Intermediate Axle Propeller Shaft	13000N.m	6D24+M130S6+STEYR-6×4 加宽 6D24+M130S6+STEYR-6×4 Widened	轴距 4030+1450 Wheel Base 4030+1450
					(搅拌机)6D24+M130S6+STEYR-6×4 加宽 (Mixer)6D24+M130S6+STEYR-6×4 Widened	
3	22AD-01111	12	六角螺栓 Hexagon Bolt			
4	Q334B14	12	六角锁止螺母 Hexagon Lock Nut			
5	Q151B1235	4	六角螺栓 Hexagon Bolt			

中桥传动轴装置图 II / INTERMEDIATE AXLE PROPELLER SHAFT II

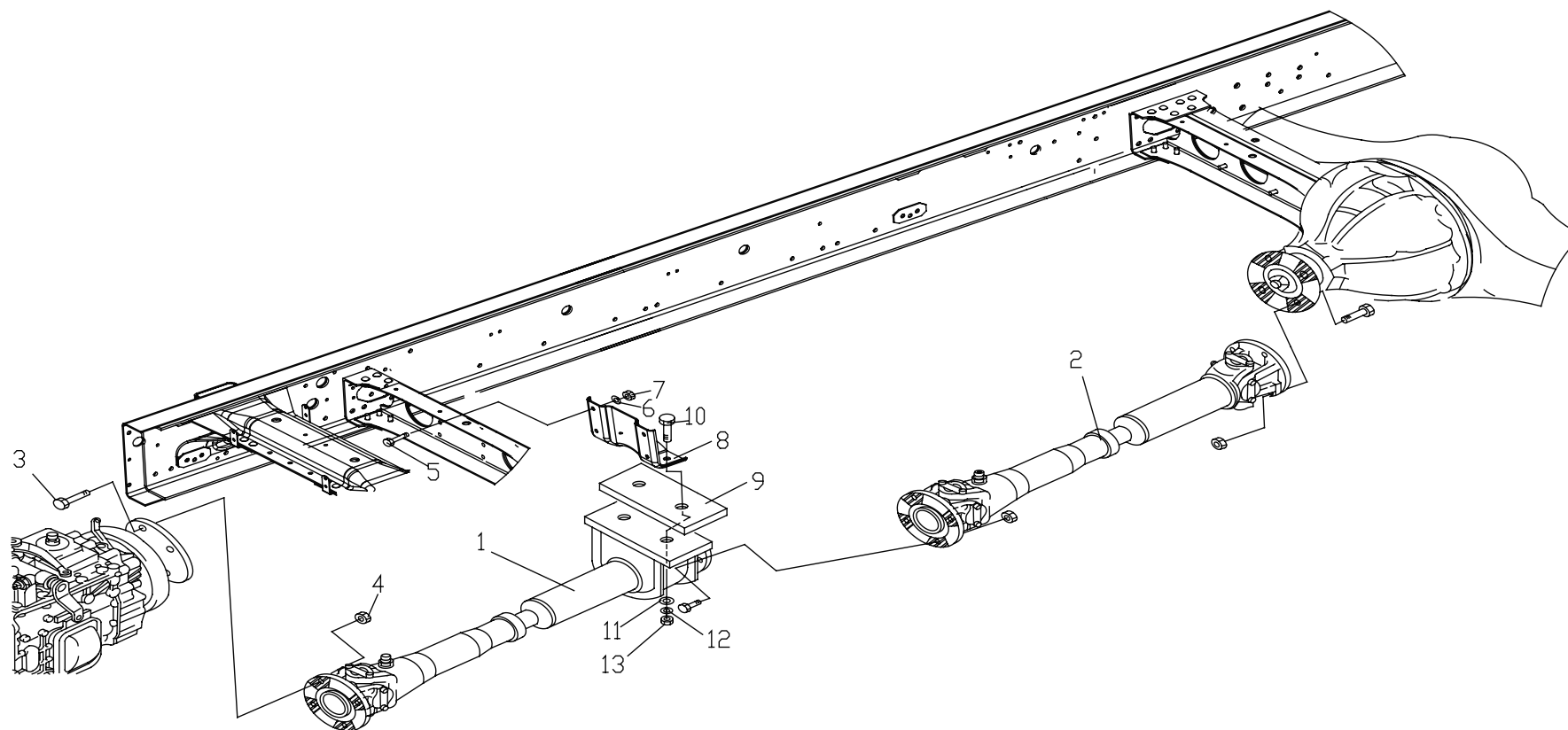
22-F



序号 No.	件号 Part No.	数量 Quantity	名称 Name	规格 Specification	适用产品 Products Applied	备注 Remark
6	Q40512	4	弹性垫圈 Spring Washer			
7	Q341B12	4	I 型六角螺母 Hexagon Full Nut			
8	22A21D4-06053	1	中间支撑支架 Middle Support Bracket		(搅拌机)P11C-UR+ZF16S(1650)+457-6×4 加宽 (Mixer)P11C-UR+ZF16S(1650)+457-6×4 Widened	轴距 1850+3350+1350 Wheel Base 1850+3350+1350
					(搅拌机)P11C-UJ+9JS135T(1916)+STEYR-6×4 加宽 (Mixer)P11C-UJ+9JS135T(1916)+STEYR-6×4 Widened	
					(搅拌机)6D24+M120S5+STEYR-6×4 加宽 (Mixer)6D24+M120S5+STEYR-6×4 Widened	
					6D24+M130S6+STEYR-6×4 加宽 6D24+M130S6+STEYR-6×4 Widened	轴距 1850+3350+1450 Wheel Base 1850+3350+1450
					6D24+M130S6+STEYR-6×4 加宽 6D24+M130S6+STEYR-6×4 Widened	
					P11C-UL+9JS150T(2511)+457-6×4 加宽 P11C-UL+9JS150T(2511)+457-6×4 Widened	轴距 1850+3350+1350 Wheel Base 1850+3350+1350
					(搅拌机)P11C-UJ+9JS150T(2511)+457-6×4 加宽 (Mixer)P11C-UJ+9JS150T(2511)+457-6×4 Widened	轴距 4080+1350 Wheel Base 4080+1350
					P11C-UL+9JS150T-B(2512)+STEYR-6×4 加宽 P11C-UL+9JS150T-B(2512)+STEYR-6×4 Widened	轴距 1850+3350+1350 Wheel Base 1850+3350+1350
					6D24+M130S6+STEYR-6×4 加宽 6D24+M130S6+STEYR-6×4 Widened	轴距 4030+1350 Wheel Base 4030+1350
					6D24+M130S6+STEYR-6×4 加宽 6D24+M130S6+STEYR-6×4 Widened	轴距 4080+1350 Wheel Base 4080+1350

中桥传动轴装置图 II / INTERMEDIATE AXLE PROPELLER SHAFT II

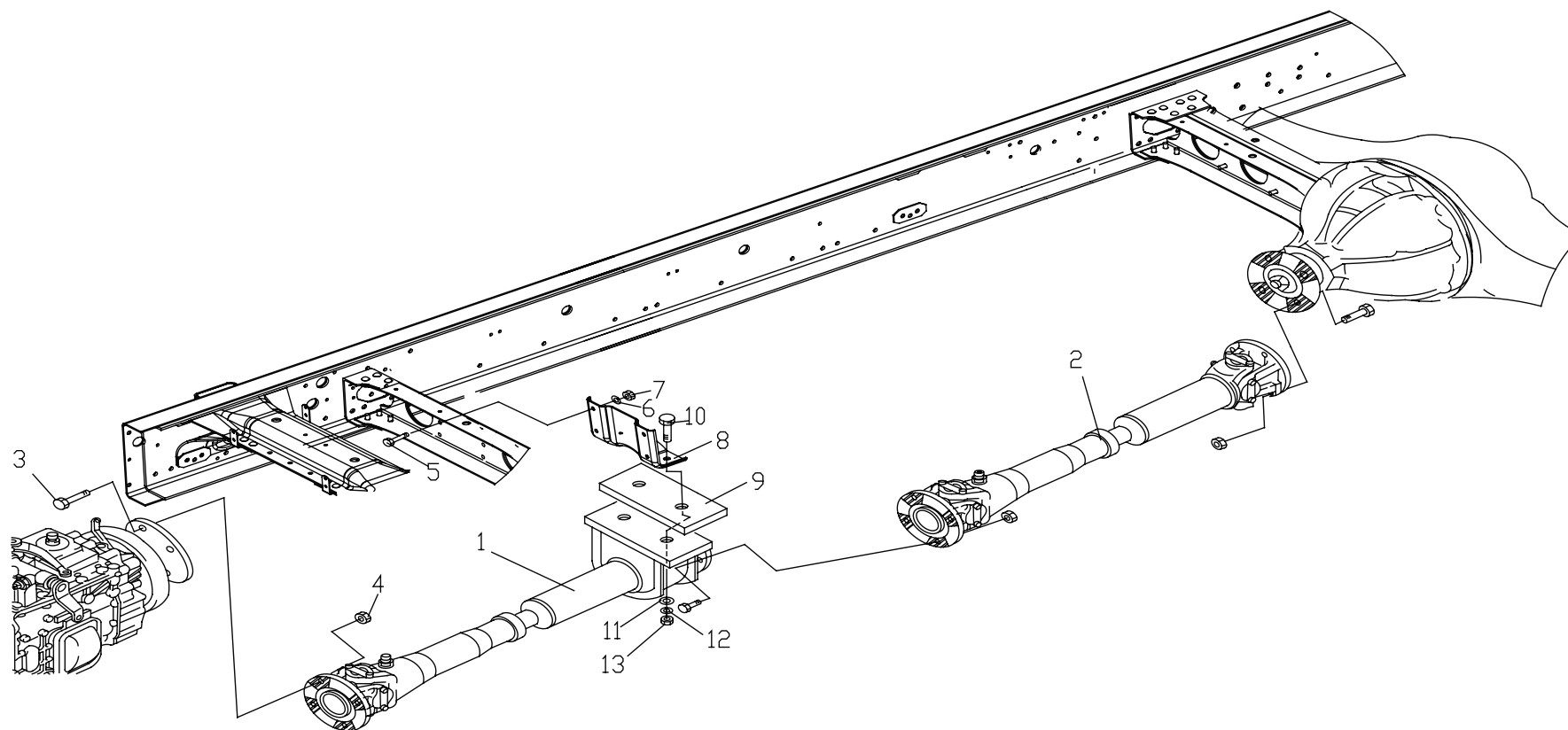
22-F



序号 No.	件号 Part No.	数量 Quantity	名称 Name	规格 Specification	适用产品 Products Applied	备注 Remark
8	22A21D4-06053	1	中间支撑支架 Middle Support Bracket		(搅拌机)6D24+M130S6+STEYR-6×4 加宽 (Mixer)6D24+M130S6+STEYR-6×4 Widened	轴距 4030+1450 Wheel Base 4030+1450
	22A6DP3-06053	1	中间支撑支架 Middle Support Bracket		WD615.56+9JS119(1576)+457-6×4 加宽 WD615.56+9JS119(1576)+457-6×4 Widened	轴距 5200+1350 Wheel Base 5200+1350
					WD615.38+9JS150T(2512)+457-6×4 加宽 WD615.38+9JS150T(2512)+457-6×4 Widened	
					(搅拌机)WD615.46+9JS150T(2512)+457-6×4 4 加宽 (Mixer)WD615.46+9JS150T(2512)+457-6×4 Widened	
					WD615.56+8JS118+STEYR-6×4 加宽 WD615.56+8JS118+STEYR-6×4 Widened	轴距 4690+1350 Wheel Base 4690+1350
				WD615.34+9JS119(1576)+457-6×4 加宽 WD615.34+9JS119(1576)+457-6×4 Widened	轴距 4380+1350 Wheel Base 4380+1350	
9	22A9DP3-06011	1	垫板 Mat Plate		(搅拌机)P11C-UR+ZF16S(1650)+457-6×4 加宽 宽 (Mixer)P11C-UR+ZF16S(1650)+457-6×4 Widened	轴距 1850+3350+1350 Wheel Base 1850+3350+1350
					WD615.47+12JS180T(2768)+STEYR-6×4 加宽 WD615.47+12JS180T(2768)+STEYR-6×4 Widened	轴距 5200+1350 Wheel Base 5200+1350
					WD615.38+12JS160T(2035)+STEYR-6×4 加宽 WD615.38+12JS160T(2035)+STEYR-6×4 Widened	
					WD615.56+9JS119(1576)+457-6×4 加宽 WD615.56+9JS119(1576)+457-6×4 Widened	
					(搅拌机)6WF1+MJD7S+457-6×4 加宽 (Mixer)6WF1+MJD7S+457-6×4 Widened	轴距 1850+3350+1350 Wheel Base 1850+3350+1350
					WD615.38+9JS150T(2512)+457-6×4 加宽 WD615.38+9JS150T(2512)+457-6×4 Widened	轴距 5200+1350 Wheel Base 5200+1350

中桥传动轴装置图 II / INTERMEDIATE AXLE PROPELLER SHAFT II

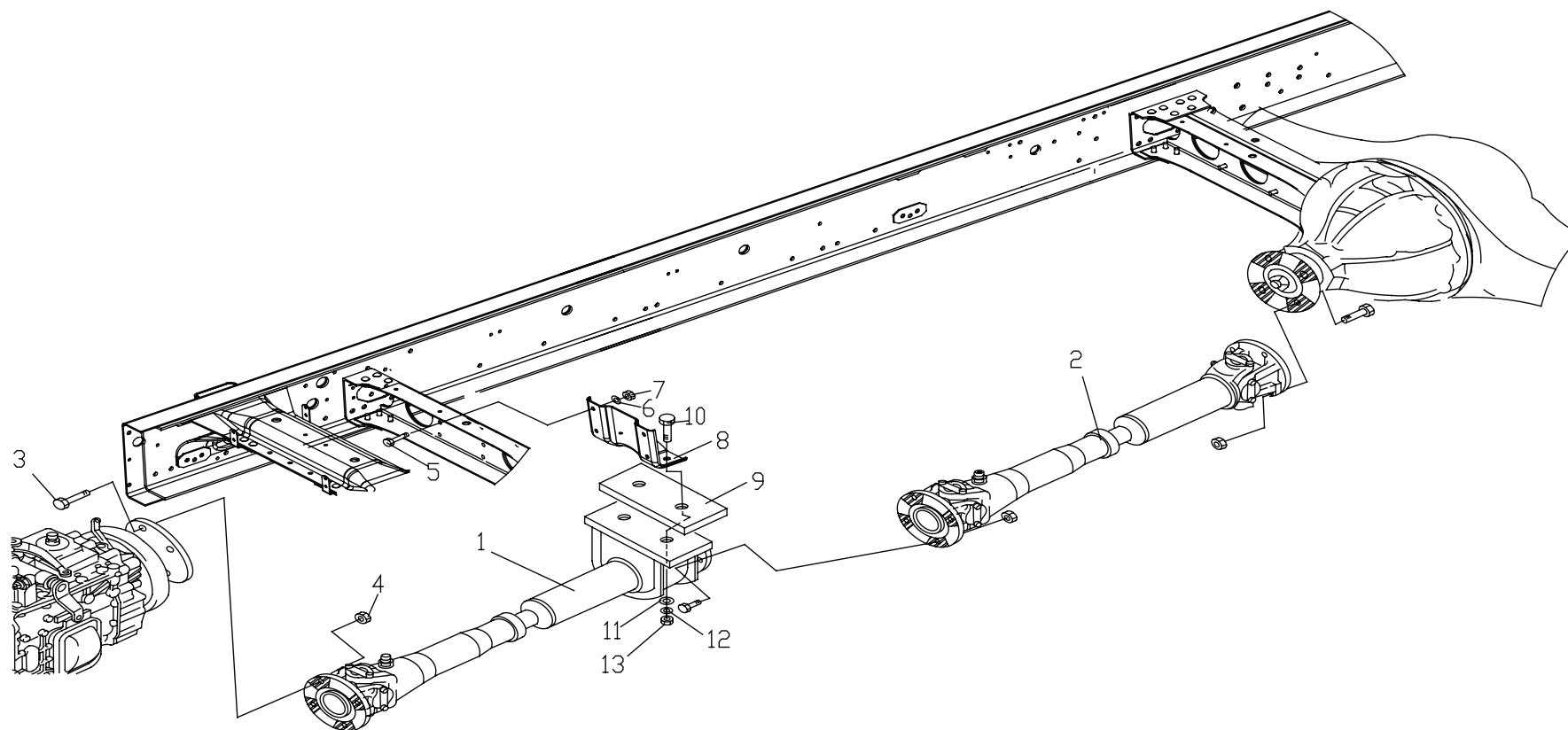
22-F



序号 No.	件号 Part No.	数量 Quantity	名称 Name	规格 Specification	适用产品 Products Applied	备注 Remark
9	22A9DP3-06011	1	垫板 Mat Plate		(搅拌车)WD615.46+9JS150T(2512)+457-6×4 加宽 (Mixer)WD615.46+9JS150T(2512)+457-6×4 Widened	轴距 5200+1350 Wheel Base 5200+1350
					WD615.50+9JS119(1576)+STEYR-6×4 加宽 WD615.50+9JS119(1576)+STEYR-6×4 Widened	轴距 4080+1350 Wheel Base 4080+1350
					WD615.56+8JS118+STEYR-6×4 加宽 WD615.56+8JS118+STEYR-6×4 Widened	轴距 4690+1350 Wheel Base 4690+1350
					WD615.56+8JS118+457-6×4 加宽 WD615.56+8JS118+457-6×4 Widened	
					L345 20+8JS118+457-6×4 加宽 L345 20+8JS118+457-6×4 Widened	轴距 4080+1350 Wheel Base 4080+1350
					(搅拌车)P11C-UJ+9JS150T(2511)+457-6×4 加宽 (Mixer)P11C-UJ+9JS150T(2511)+457-6×4 Widened	
	(搅拌车)6D24+M130S6+STEYR-6×4 加宽 (Mixer)6D24+M130S6+STEYR-6×4 Widened	轴距 4030+1450 Wheel Base 4030+1450				
	22A9DP3-06012	1	垫板 Mat Plate		(搅拌车)C9-350HP+9JS150T(2512)+STEYR-6×4 加宽 (Mixer)C9-350HP+9JS150T(2512)+STEYR-6×4 Widened	轴距 1850+3350+1350 Wheel Base 1850+3350+1350
					(搅拌车)C9-350HP+ZF16S(1650)+STEYR-6×4 加宽 (Mixer)C9-350HP+ZF16S(1650)+STEYR-6×4 Widened	
					(搅拌车)C9-350HP+ZF16S(1650)+ 奔驰桥 -6×4 加宽 (Mixer)C9-350HP+ZF16S(1650)+BENZ Axle-6×4 Widened	
(搅拌车)P11C-UJ+9JS135T(1916)+STEYR-6×4 加宽 (Mixer)P11C-UJ+9JS135T(1916)+STEYR-6×4 Widened						
ISLe35030+9JS150T(2512)+STEYR-6×4 加宽 ISLe35030+9JS150T(2512)+STEYR-6×4 Widened					轴距 3800 Wheel Base 3800	
				841		

中桥传动轴装置图 II / INTERMEDIATE AXLE PROPELLER SHAFT II

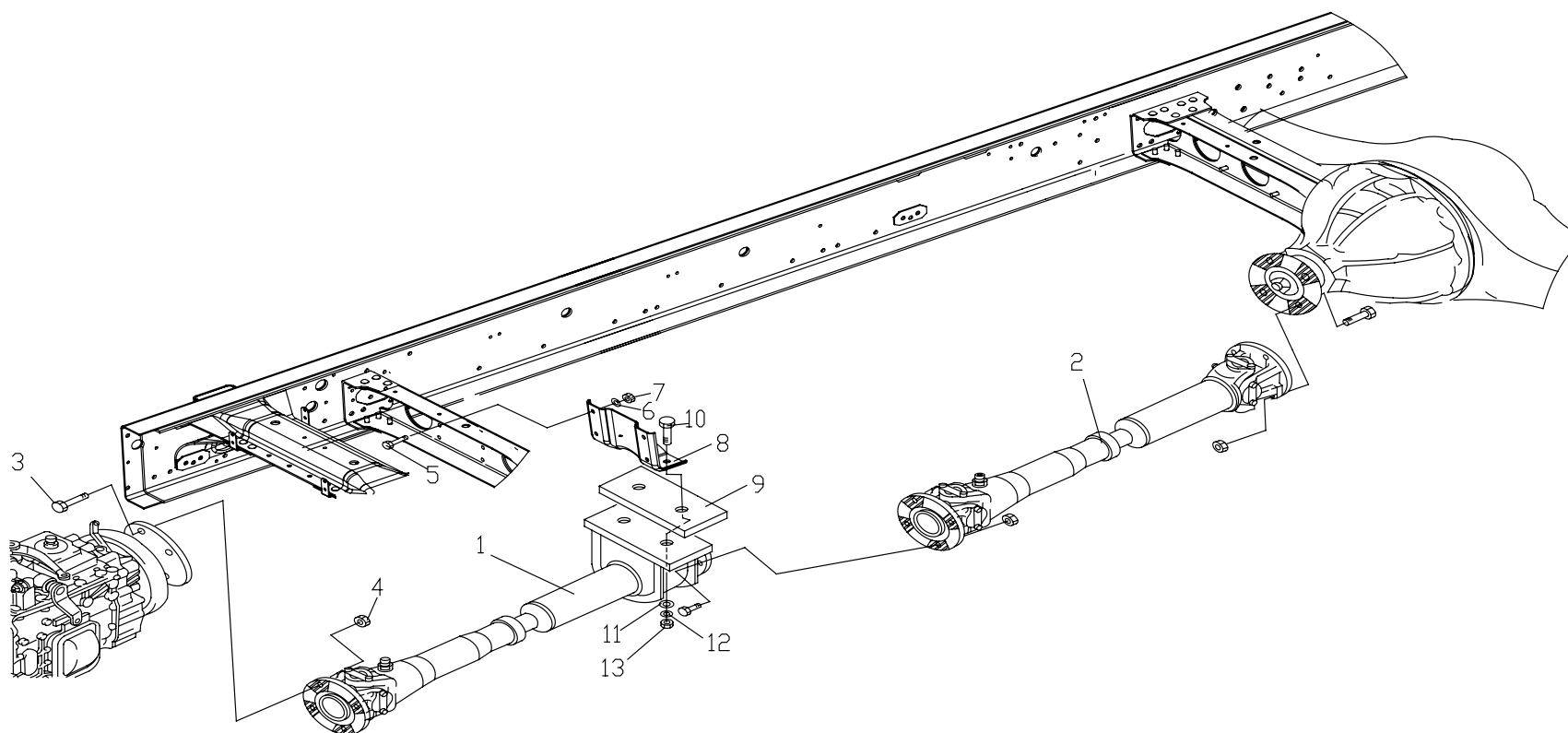
22-F



序号 No.	件号 Part No.	数量 Quantity	名称 Name	规格 Specification	适用产品 Products Applied	备注 Remark
9	22A9DP3-06012	1	垫板 Mat Plate		C300 20+9JS119(1576)+457-6×4 加宽 C300 20+9JS119(1576)+457-6×4 Widened	轴距 5200+1350 Wheel Base 5200+1350
					(搅拌机)6D24+M130S6+457-6×4 加宽 (Mixer)6D24+M130S6+457-6×4 Widened	
					(搅拌机)6D24+M120S5+457-6×4 加宽 (Mixer)6D24+M120S5+457-6×4 Widened	
					6D24+M130S6+457-6×4 加宽 6D24+M130S6+457-6×4 Widened	
					C9-350HP+ZF16S(1650)+STEYR-6×4 加宽 C9-350HP+ZF16S(1650)+STEYR-6×4 Widened	
					L375 20+9JS150T(2512)+457-6×4 加宽 L375 20+9JS150T(2512)+457-6×4 Widened	
					P11C-UL+9JS150T-B(2512)+STEYR-6×4 加宽 P11C-UL+9JS150T-B(2512)+STEYR-6×4 Widened	
	22A6DP8-06019	1	垫板 Mat Plate		(搅拌机)L345 20+9JS150T(2511)+457-6×4 加宽 (Mixer)L345 20+9JS150T(2511)+457-6×4 Widened	轴距 1850+3350+1350 Wheel Base 1850+3350+1350
					M11C380E20+9JS165T(2508)+STEYR-6×4 加宽 M11C380E20+9JS165T(2508)+STEYR-6×4 Widened	
					(搅拌机)M11C380E20+9JS165T(2508)+STEYR- 6×4 加宽 (Mixer)M11C380E20+9JS165T(2508)+STEYR-6× 4 Widened	
					L345 20+9JS150T(2511)+STEYR-6×4 加宽 L345 20+9JS150T(2511)+STEYR-6×4 Widened	
					M11C380E20+9JS165T(3005)+STEYR-6×4 加宽 M11C380E20+9JS165T(3005)+STEYR-6×4 Widened	

中桥传动轴装置图 II / INTERMEDIATE AXLE PROPELLER SHAFT II

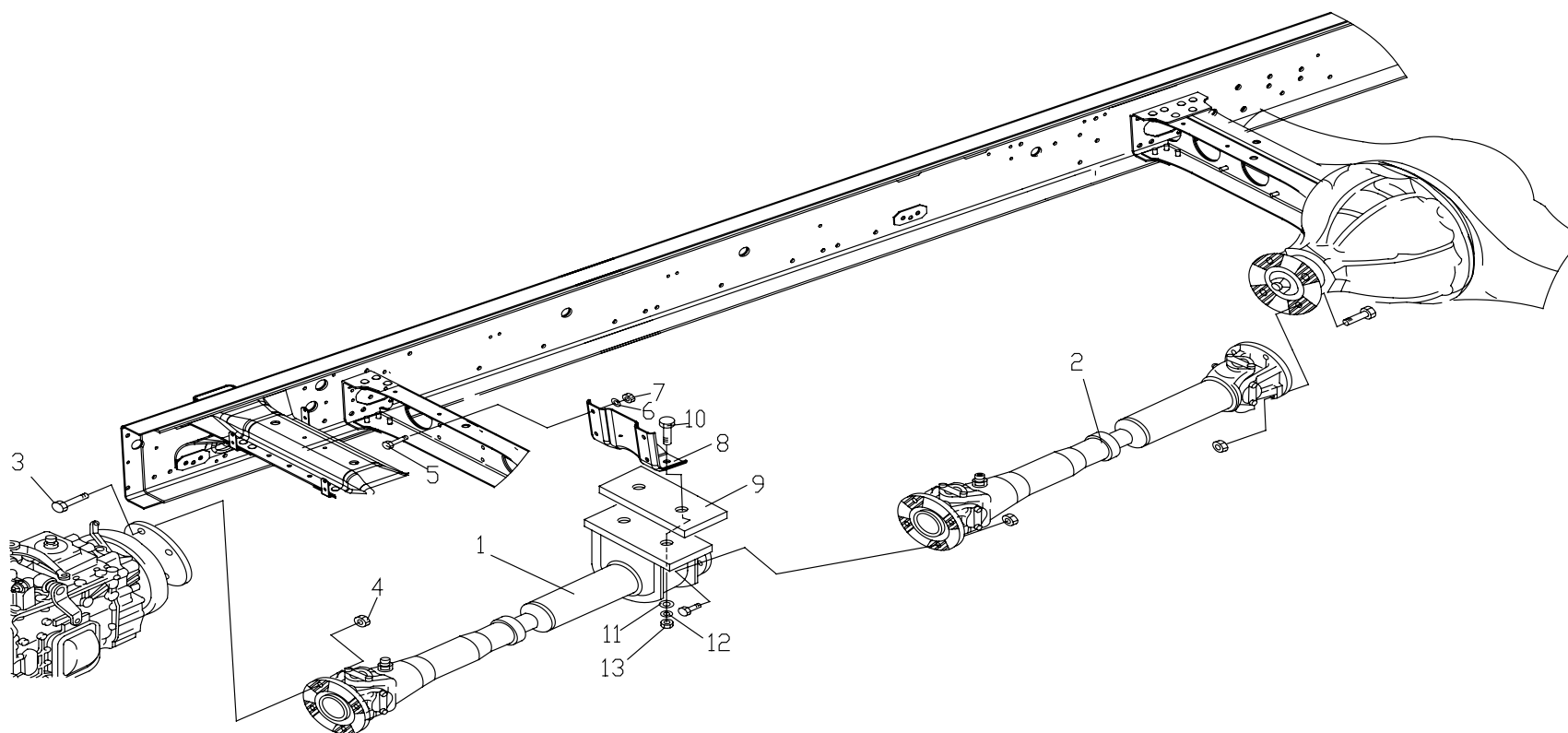
22-F



序号 No.	件号 Part No.	数量 Quantity	名称 Name	规格 Specification	适用产品 Products Applied	备注 Remark
1	2206A20DP3-410	1	中桥中间传动轴 Intermediate Axle Middle Propeller Shaft	13000N.m	WD615.50+9JS119(1576)+STEYR-6×4	轴距 5220+1310 Wheel Base 5220+1310
					WD615.50+9JS119(1576)+457-6×4	
					WD615.50+9JS119(1576)+STEYR-6×4 加宽 WD615.50+9JS119(1576)+STEYR-6×4 Widened	轴距 5220+1350 Wheel Base 5220+1350
					WD615.50+9JS119(1576)+457-6×4 加宽 WD615.50+9JS119(1576)+457-6×4 Widened	
	2206A7DP1-310	1	中桥中间传动轴 Intermediate Axle Middle Propeller Shaft	13000N.m	L345 20+9JS119(1576)+STEYR-6×4	轴距 5220+1310 Wheel Base 5220+1310
					L345 20+9JS119(1576)+457-6×4	
L345 20+9JS119(1576)+457-6×4 加宽 L345 20+9JS119(1576)+457-6×4 Widened					轴距 5220+1350 Wheel Base 5220+1350	
2	2205A4D-010	1	中桥传动轴 Intermediate Axle Propeller Shaft	13000N.m	WD615.50+9JS119(1576)+STEYR-6×4	轴距 5220+1310 Wheel Base 5220+1310
					L345 20+9JS119(1576)+STEYR-6×4	
	2205A3DP1-010	1	中桥传动轴 Intermediate Axle Propeller Shaft	13000N.m	WD615.50+9JS119(1576)+457-6×4	轴距 5220+1310 Wheel Base 5220+1310
					L345 20+9JS119(1576)+457-6×4	
	2201A6DQ1-210	1	中桥传动轴 Intermediate Axle Propeller Shaft	13000N.m	WD615.50+9JS119(1576)+STEYR-6×4 加宽 WD615.50+9JS119(1576)+STEYR-6×4 Widened	轴距 5220+1350 Wheel Base 5220+1350
	2205A3DP3-010	1	中桥传动轴 Intermediate Axle Propeller Shaft	13000N.m	WD615.50+9JS119(1576)+457-6×4 加宽 WD615.50+9JS119(1576)+457-6×4 Widened	轴距 5220+1350 Wheel Base 5220+1350
2205AH4D-010	1	中桥传动轴 Intermediate Axle Propeller Shaft	13000N.m	L345 20+9JS119(1576)+457-6×4 加宽 L345 20+9JS119(1576)+457-6×4 Widened	轴距 5220+1350 Wheel Base 5220+1350	

中桥传动轴装置图 II / INTERMEDIATE AXLE PROPELLER SHAFT II

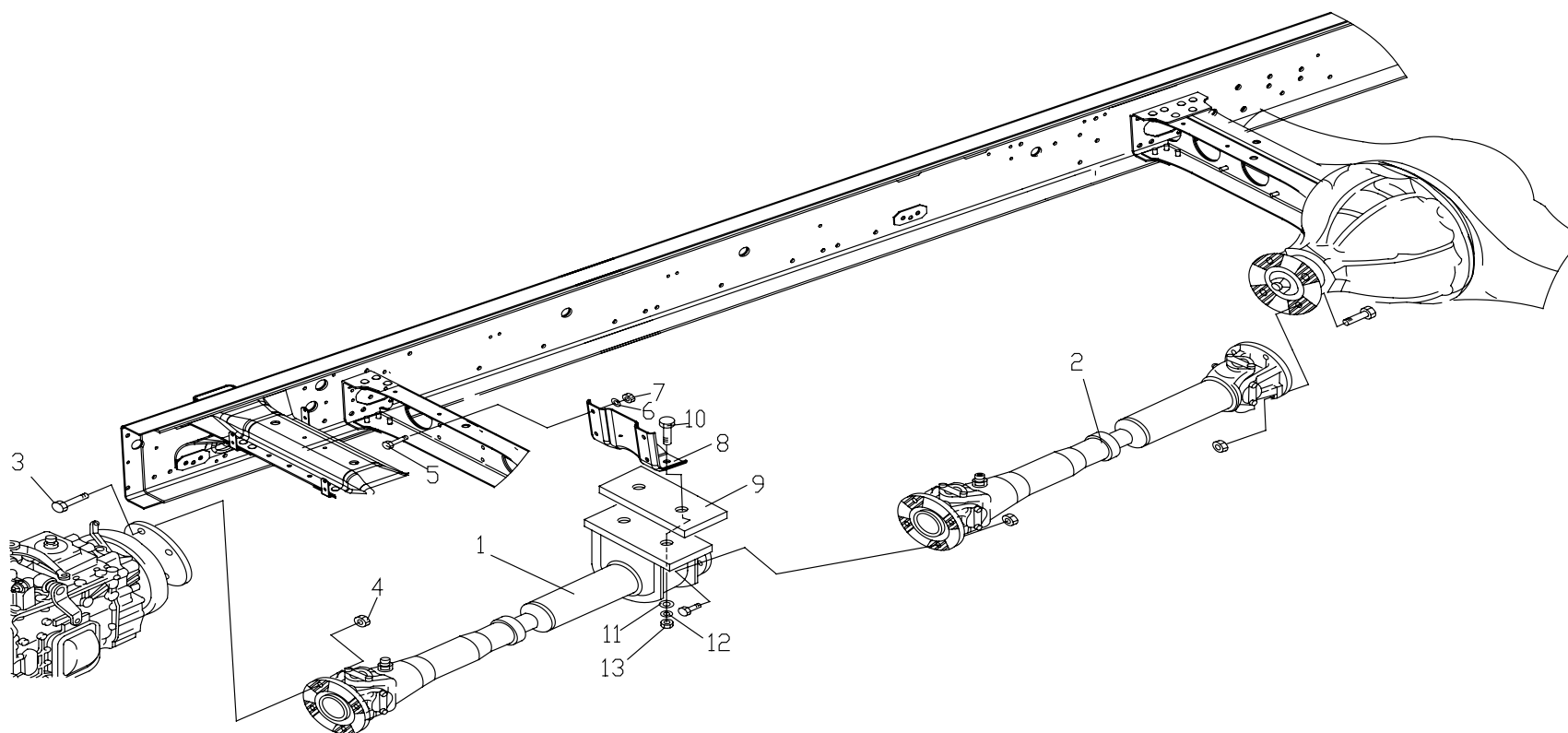
22-F



序号 No.	件号 Part No.	数量 Quantity	名称 Name	规格 Specification	适用产品 Products Applied	备注 Remark
3	22AD-01111	12	六角螺栓 Hexagon Bolt			
4	Q334B14	12	六角锁止螺母 Hexagon Lock Nut			
5	Q151B1235	4	六角螺栓 Hexagon Bolt			
6	Q40512	4	弹性垫圈 Spring Washer			
7	Q341B12	4	I型六角螺母 Hexagon Full Nut			
8	28A4DP-01153	1	中间支撑支架 Middle Support Bracket		WD615.50+9JS119(1576)+STEYR-6×4	轴距 5220+1310 Wheel Base 5220+1310
					WD615.50+9JS119(1576)+457-6×4	
					WD615.50+9JS119(1576)+STEYR-6×4 加宽 WD615.50+9JS119(1576)+STEYR-6×4 Widened	轴距 5220+1350 Wheel Base 5220+1350
					L345 20+9JS119(1576)+457-6×4 加宽 L345 20+9JS119(1576)+457-6×4 Widened	
	22A21D4-06053	1	中间支撑支架 Middle Support Bracket		L345 20+9JS119(1576)+STEYR-6×4	轴距 5220+1310 Wheel Base 5220+1310
					L345 20+9JS119(1576)+457-6×4	
22A6DP3-06053	1	中间支撑支架 Middle Support Bracket		WD615.50+9JS119(1576)+457-6×4 加宽 WD615.50+9JS119(1576)+457-6×4 Widened	轴距 5220+1350 Wheel Base 5220+1350	
9	22A6DP8-06019	1	垫板 Mat Plate		WD615.50+9JS119(1576)+STEYR-6×4	轴距 5220+1310 Wheel Base 5220+1310

中桥传动轴装置图 II / INTERMEDIATE AXLE PROPELLER SHAFT II

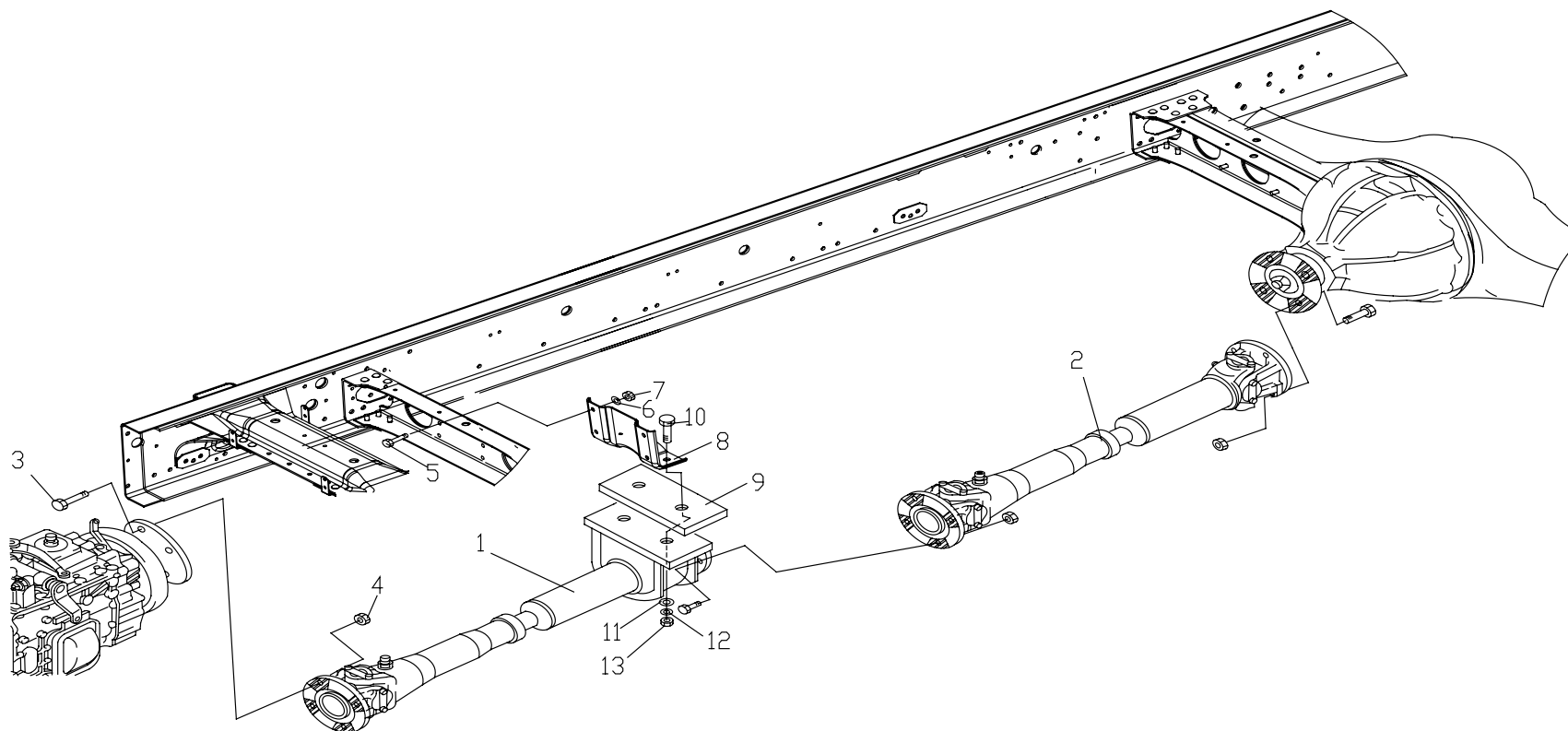
22-F



序号 No.	件号 Part No.	数量 Quantity	名称 Name	规格 Specification	适用产品 Products Applied	备注 Remark
9	22A9DP7-06019	1	垫板 Mat Plate		L345 20+9JS119(1576)+STEYR-6×4	轴距 5220+1310 Wheel Base 5220+1310
	22A6DP8-06017	1	垫板 Mat Plate		WD615.50+9JS119(1576)+457-6×4	轴距 5220+1310 Wheel Base 5220+1310
	22A9DP3-06011	1	垫板 Mat Plate		L345 20+9JS119(1576)+457-6×4	轴距 5220+1310 Wheel Base 5220+1310
	22A6DP7-06017	1	垫板 Mat Plate		WD615.50+9JS119(1576)+457-6×4 加宽 WD615.50+9JS119(1576)+457-6×4 Widened	轴距 5220+1350 Wheel Base 5220+1350
	22A9DP3-06012	1	垫板 Mat Plate		L345 20+9JS119(1576)+457-6×4 加宽 L345 20+9JS119(1576)+457-6×4 Widened	轴距 5220+1350 Wheel Base 5220+1350
10	Q151B1460	2	六角螺栓 Hexagon Bolt		WD615.50+9JS119(1576)+STEYR-6×4	轴距 5220+1310 Wheel Base 5220+1310
	Q151B1455	2	六角螺栓 Hexagon Bolt		L345 20+9JS119(1576)+STEYR-6×4	轴距 5220+1310 Wheel Base 5220+1310
	Q151B1450	2	六角螺栓 Hexagon Bolt		WD615.50+9JS119(1576)+457-6×4	轴距 5220+1310 Wheel Base 5220+1310
					L345 20+9JS119(1576)+457-6×4 加宽 L345 20+9JS119(1576)+457-6×4 Widened	轴距 5220+1350 Wheel Base 5220+1350
	Q151B1445	2	六角螺栓 Hexagon Bolt		L345 20+9JS119(1576)+457-6×4	轴距 5220+1310 Wheel Base 5220+1310
	Q151B1440	2	六角螺栓 Hexagon Bolt		WD615.50+9JS119(1576)+457-6×4 加宽 WD615.50+9JS119(1576)+457-6×4 Widened	轴距 5220+1350 Wheel Base 5220+1350
	Q151B1435	2	六角螺栓 Hexagon Bolt		WD615.50+9JS119(1576)+STEYR-6×4 加宽 WD615.50+9JS119(1576)+STEYR-6×4 Widened	轴距 5220+1350 Wheel Base 5220+1350

中桥传动轴装置图 II / INTERMEDIATE AXLE PROPELLER SHAFT II

22-F



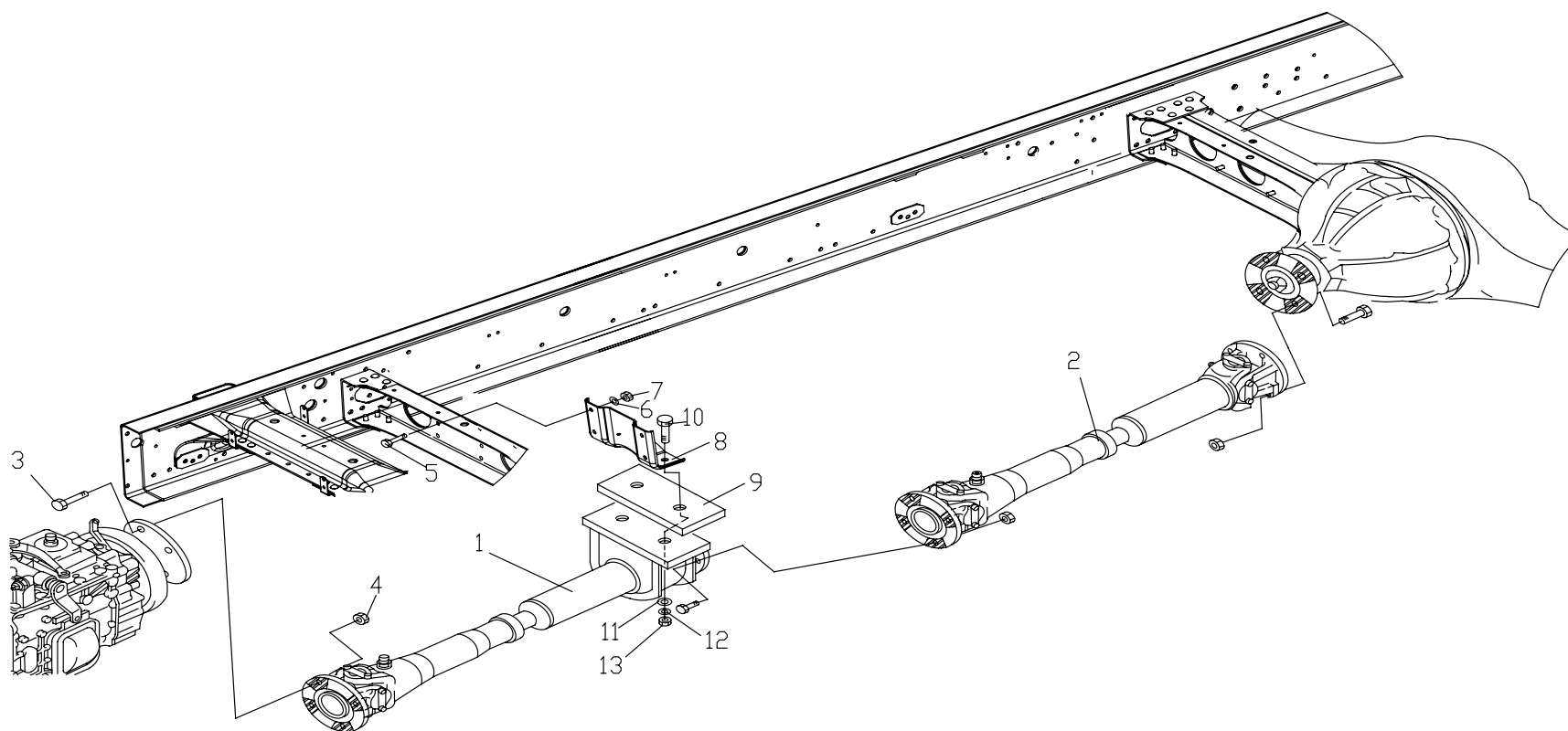
传动轴系统 / PROPELLER SHAFT SYSTEM

22-62

序号 No.	件号 Part No.	数量 Quantity	名称 Name	规格 Specification	适用产品 Products Applied	备注 Remark
11	Q40114	2	平垫圈 Plate Washer			
12	Q40514	2	弹性垫圈 Spring Washer			
13	Q341B14	2	I型六角螺母 Hexagon Full Nut			

中桥传动轴装置图 II / INTERMEDIATE AXLE PROPELLER SHAFT II

22-F



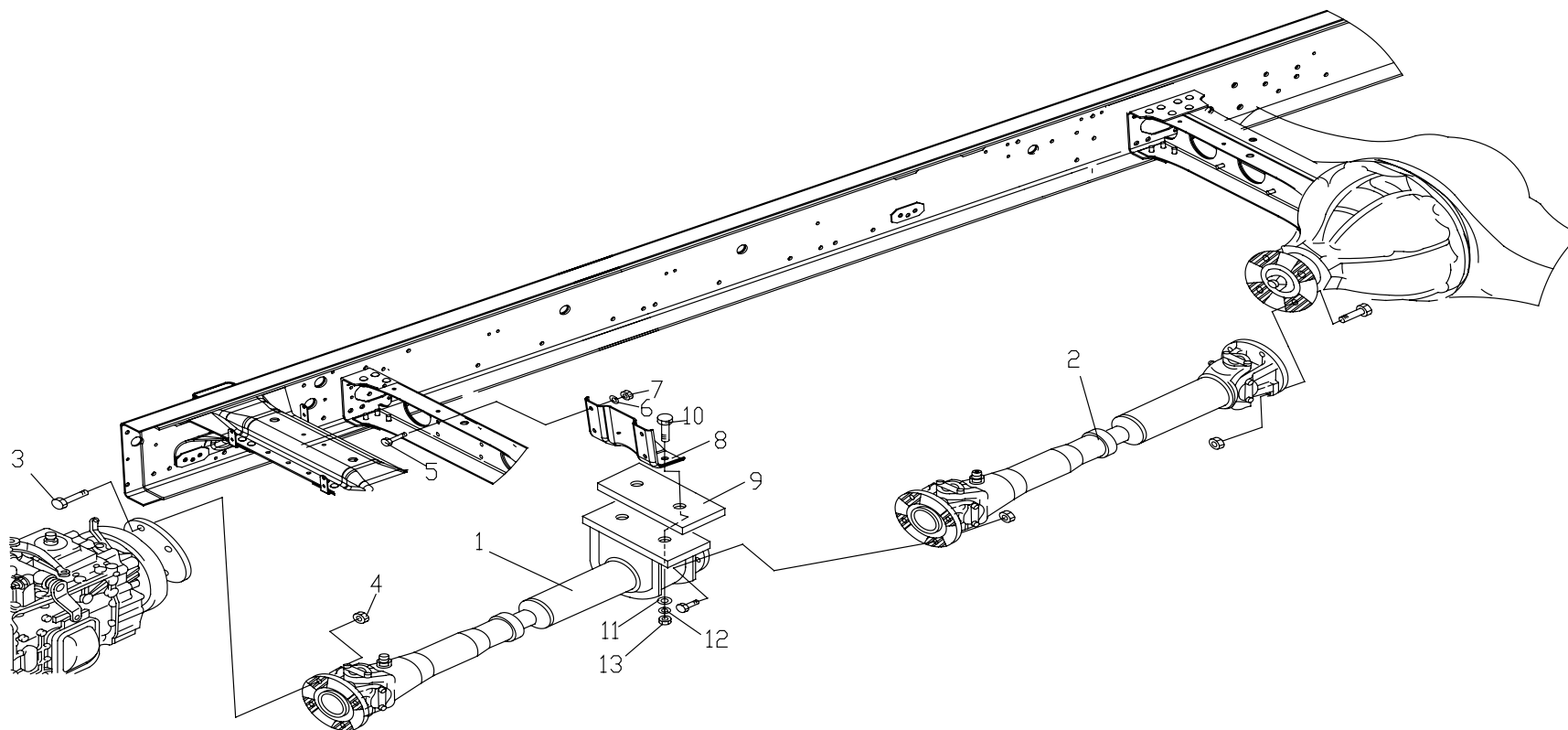
传动轴系统 / PROPELLER SHAFT SYSTEM

22-64

序号 No.	件号 Part No.	数量 Quantity	名称 Name	规格 Specification	适用产品 Products Applied	备注 Remark
1	2206A5DP1-010	1	中桥中间传动轴 Intermediate Axle Middle Propeller Shaft	15000N.m	WD615.38+RT-11509C(1375)+STEYR-6×4	轴距 5220+1310 Wheel Base 5220+1310
					WD615.38+RT-11509C(1375)+457-6×4	
	2206A19D-010	1	中桥中间传动轴 Intermediate Axle Middle Propeller Shaft	15000N.m	WD615.38+12JS160T(2035)+STEYR-6×4 加宽 WD615.38+12JS160T(2035)+STEYR-6×4 Widened	轴距 5220+1350 Wheel Base 5220+1350
2	2205A19D-420	1	中桥传动轴 Intermediate Axle Propeller Shaft	15000N.m	WD615.38+RT-11509C(1375)+STEYR-6×4	轴距 5220+1310 Wheel Base 5220+1310
	2205A5DP4-010	1	中桥传动轴 Intermediate Axle Propeller Shaft	15000N.m	WD615.38+RT-11509C(1375)+457-6×4	轴距 5220+1310 Wheel Base 5220+1310
	2201A22DQ1-810	1	中桥传动轴 Intermediate Axle Propeller Shaft	15000N.m	WD615.38+12JS160T(2035)+STEYR-6×4 加宽 WD615.38+12JS160T(2035)+STEYR-6×4 Widened	轴距 5220+1350 Wheel Base 5220+1350
3	22AD-01111	12	六角螺栓 Hexagon Bolt			
4	Q334B14	12	六角锁止螺母 Hexagon Lock Nut			
5	Q151B1235	4	六角螺栓 Hexagon Bolt			
6	Q40512	4	弹性垫圈 Spring Washer			
7	Q341B12	4	I 型六角螺母 Hexagon Full Nut			
8	28A4DP-01153	1	支架 - 传动轴中间支撑横梁 Bracket-Propeller Shaft Middle Support Beam		WD615.38+12JS160T(2035)+STEYR-6×4 加宽 WD615.38+12JS160T(2035)+STEYR-6×4 Widened	轴距 5220+1350 Wheel Base 5220+1350
					WD615.38+RT-11509C(1375)+STEYR-6×4	轴距 5220+1310 Wheel Base 5220+1310
					WD615.38+RT-11509C(1375)+457-6×4	轴距 5220+1310 Wheel Base 5220+1310

中桥传动轴装置图 II / INTERMEDIATE AXLE PROPELLER SHAFT II

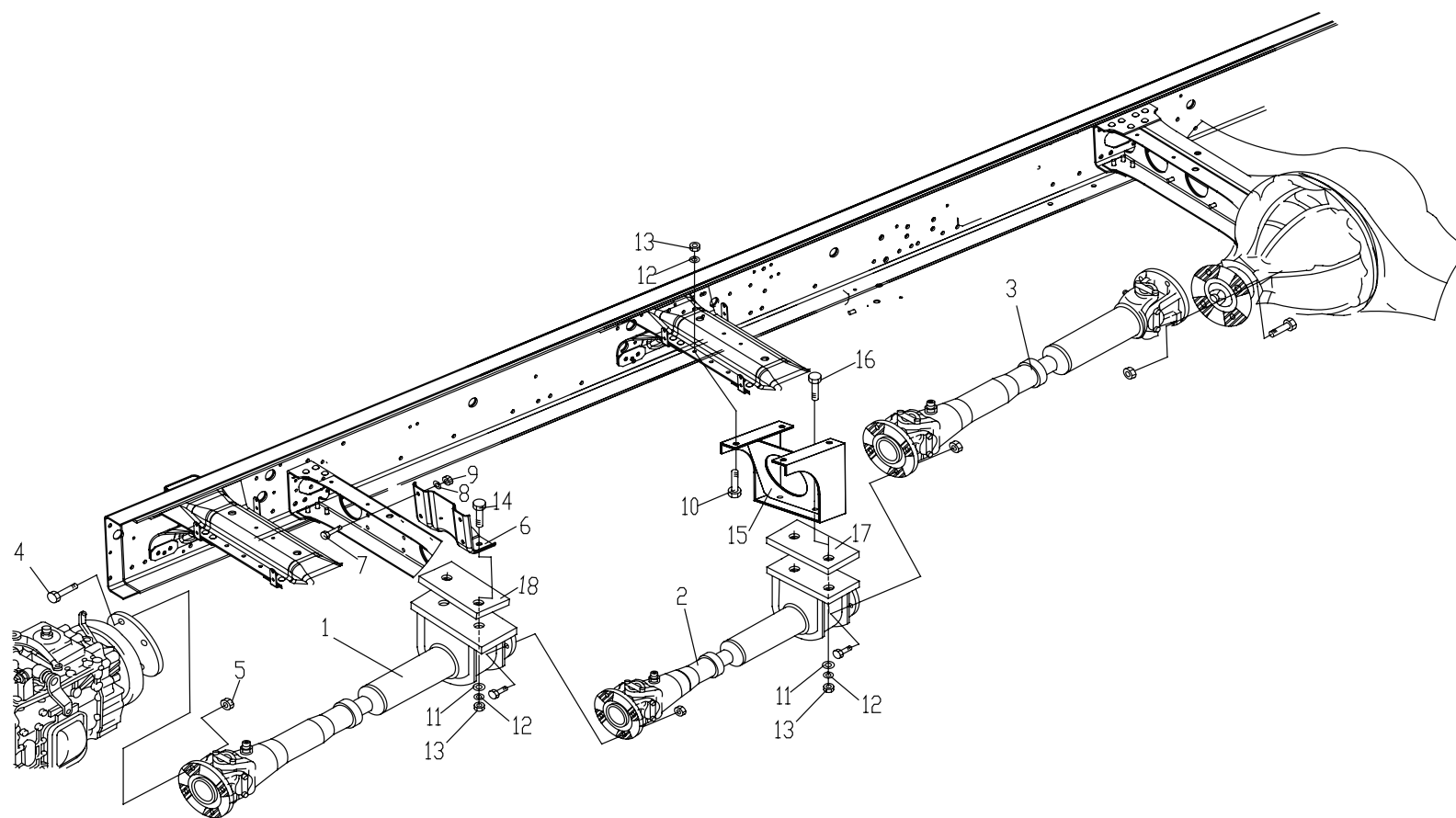
22-F



序号 No.	件号 Part No.	数量 Quantity	名称 Name	规格 Specification	适用产品 Products Applied	备注 Remark
9	22A6DP8-06019	1	垫板 Mat Plate		WD615.38+RT-11509C(1375)+STEYR-6×4	轴距 5220+1310 Wheel Base 5220+1310
9	22A6DP8-06017	1	垫板 Mat Plate		WD615.38+RT-11509C(1375)+457-6×4	轴距 5220+1310 Wheel Base 5220+1310
9	22A9DP3-06011	1	垫板 Mat Plate		WD615.38+12JS160T(2035)+STEYR-6×4 加 宽 WD615.38+12JS160T(2035)+STEYR-6×4 Widened	轴距 5220+1350 Wheel Base 5220+1350
10	Q151B1460	2	六角螺栓 Hexagon Bolt		WD615.38+RT-11509C(1375)+STEYR-6×4	轴距 5220+1310 Wheel Base 5220+1310
	Q151B1450	2	六角螺栓 Hexagon Bolt		WD615.38+RT-11509C(1375)+457-6×4	轴距 5220+1310 Wheel Base 5220+1310
	Q151B1445	2	六角螺栓 Hexagon Bolt		WD615.38+12JS160T(2035)+STEYR-6×4 加 宽 WD615.38+12JS160T(2035)+STEYR-6×4 Widened	轴距 5220+1350 Wheel Base 5220+1350
11	Q40114	2	平垫圈 Plate Washer			
12	Q40514	2	弹性垫圈 Spring Washer			
13	Q341B14	2	I 型六角螺母 Hexagon Full Nut			

中桥传动轴装置图III / INTERMEDIATE AXLE PROPELLER SHAFT III

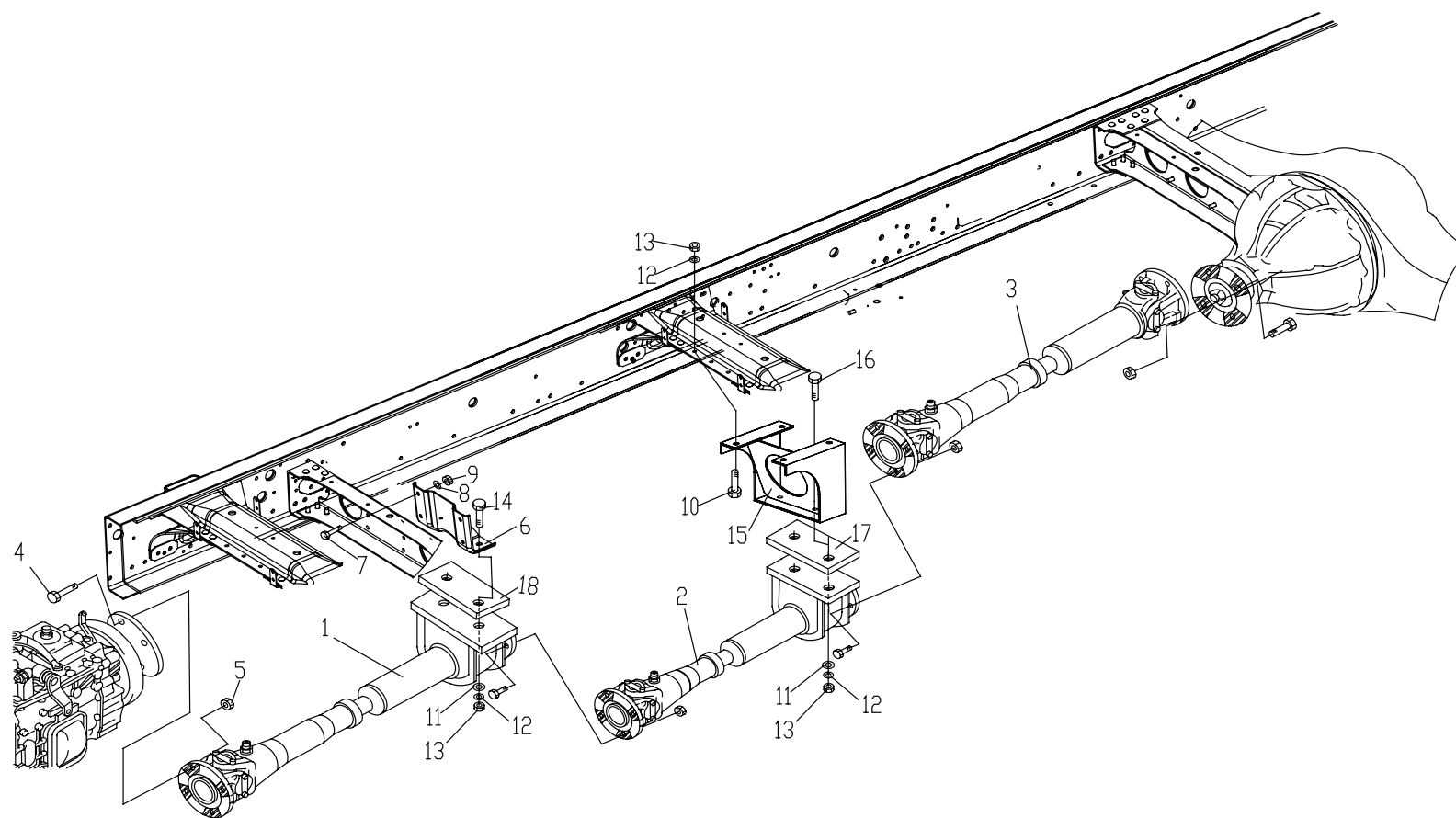
22-G



序号 No.	件号 Part No.	数量 Quantity	名称 Name	规格 Specification	适用产品 Products Applied	备注 Remark
1	2206A16D-010	1	中桥中间传动轴 Intermediate Axle Middle Propeller Shaft	15000N.m	C13-430HP+ZF16S(181)+457-6×4 加宽 C13-430HP+ZF16S(181)+457-6×4 Widened	轴距 1850+4585+1350 Wheel Base 1850+4585+1350
	2206A19D-010	1	中桥中间传动轴 Intermediate Axle Middle Propeller Shaft	15000N.m	WD615.38+12JS160T(2035)+STEYR-6×4 加宽 WD615.38+12JS160T(2035)+STEYR-6×4 Widened	
					WD615.38+12JS180T(2768)+STEYR-6×4 加宽 WD615.38+12JS180T(2768)+STEYR-6×4 Widened	
					WD615.38+12JS160T(2035)+457-6×4 加宽 WD615.38+12JS160T(2035)+457-6×4 Widened	
	2206A19D-410	1	中桥中间传动轴 Intermediate Axle Middle Propeller Shaft	15000N.m	WD615.38+12JS180T(2768)+STEYR-6×4 加宽 WD615.38+12JS180T(2768)+STEYR-6×4 Widened	轴距 1850+3980+1350 Wheel Base 1850+3980+1350
					WD615.38+12JS160T(2035)+STEYR-6×4 加宽 WD615.38+12JS160T(2035)+STEYR-6×4 Widened	
	2206A20DP3-410	1	中桥中间传动轴 Intermediate Axle Middle Propeller Shaft	13000N.m	WD615.50+9JS119(1576)+STEYR-6×4 加宽 WD615.50+9JS119(1576)+STEYR-6×4 Widened	轴距 1850+4585+1350 Wheel Base 1850+4585+1350
					WD615.50+9JS119(1576)+457-6×4 加宽 WD615.50+9JS119(1576)+457-6×4 Widened	
2206A3DP1-010	1	中桥中间传动轴 Intermediate Axle Middle Propeller Shaft	13000N.m	(搅拌机)6WF1+MJD7S+457-6×4 加宽 (Mixer) 6WF1+MJD7S+457-6×4 Widened		
2206A46D-010	1	中桥中间传动轴 Intermediate Axle Middle Propeller Shaft	15000N.m	ISME385 30+ZF16S(1950)+457-6×4 加宽 ISME385 30+ZF16S(1950)+457-6×4 Widened		
				WD615.38+9JS180(G1376)+STEYR-6×4 加宽 WD615.38+9JS180(G1376)+STEYR-6×4 Widened		
2206A6DP5-310	1	中桥中间传动轴 Intermediate Axle Middle Propeller Shaft	13000N.m	WD615.56+8JS118+STEYR-6×4 加宽 WD615.56+8JS118+STEYR-6×4 Widened	轴距 1850+4016+1350 Wheel Base 1850+4016+1350	

中桥传动轴装置图III / INTERMEDIATE AXLE PROPELLER SHAFT III

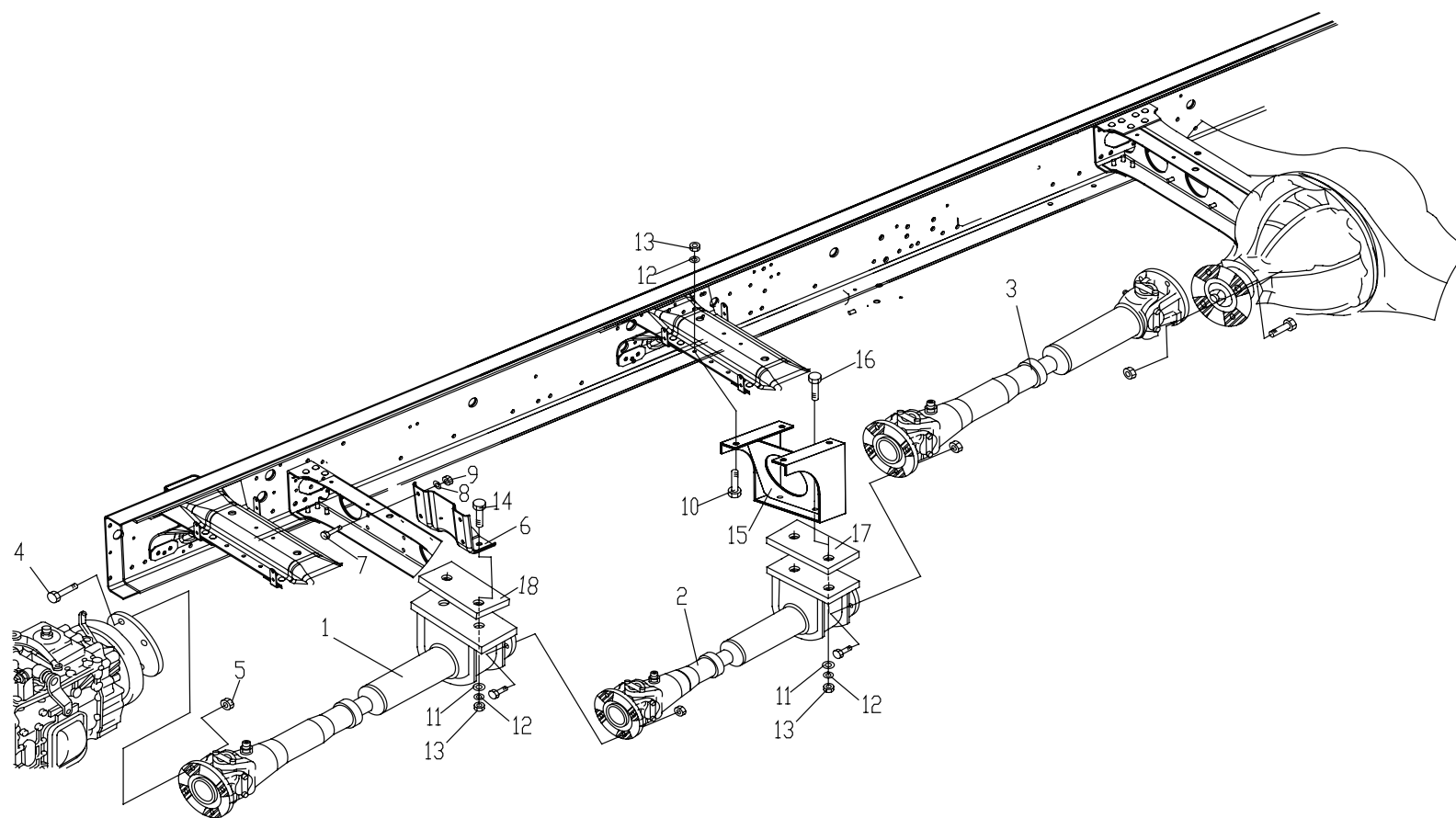
22-G



序号 No.	件号 Part No.	数量 Quantity	名称 Name	规格 Specification	适用产品 Products Applied	备注 Remark
1	2206A6DP5-310	1	中桥中间传动轴 Intermediate Axle Middle Propeller Shaft	13000N.m	WD12.336+9JS119(1576)+STEYR-6×4 加宽 WD12.336+9JS119(1576)+STEYR-6×4 Widened	轴距 1850+3980+1350 Wheel Base 1850+3980+1350
					WD615.50+9JS119(1576)+STEYR-6×4 加宽 WD615.50+9JS119(1576)+STEYR-6×4 Widened	
					WD615.34+RT11509C(1242)+457-6×4 加宽 WD615.34+RT11509C(1242)+457-6×4 Widened	
	2206A6DP9-310	1	中桥中间传动轴 Intermediate Axle Middle Propeller Shaft	13000N.m	WD615.56+RT11509C(1242)+STEYR-6×4 加宽 WD615.56+RT11509C(1242)+STEYR-6×4 Widened	轴距 5830+1350 Wheel Base 5830+1350
					WD615.34+RT11509C(1242)+457-6×4 加宽 WD615.34+RT11509C(1242)+457-6×4 Widened	
	2206A7DP1-310	1	中桥中间传动轴 Intermediate Axle Middle Propeller Shaft	13000N.m	C280 20+9JS119(1576)+STEYR-6×4 加宽 C280 20+9JS119(1576)+STEYR-6×4 Widened	轴距 1850+4585+1350 Wheel Base 1850+4585+1350
	2206A7DP1-310	1	中桥中间传动轴 Intermediate Axle Middle Propeller Shaft	13000N.m	C280 20+9JS119(1576)+457-6×4 加宽 C280 20+9JS119(1576)+457-6×4 Widened	轴距 1850+4585+1350 Wheel Base 1850+4585+1350
	2206A7DP-310	1	中桥中间传动轴 Intermediate Axle Middle Propeller Shaft	13000N.m	YC6A240-20+8JS118(1416)+457-6×4 加宽 YC6A240-20+8JS118(1416)+457-6×4 Widened	轴距 5830+1350 Wheel Base 5830+1350
	2206A9DP5-310	1	中桥中间传动轴 Intermediate Axle Middle Propeller Shaft	13000N.m	L345 20+9JS150T(2511)+STEYR-6×4 加宽 L345 20+9JS150T(2511)+STEYR-6×4 Widened	轴距 1850+3980+1350 Wheel Base 1850+3980+1350
2206AD4-010	1	中桥中间传动轴 Intermediate Axle Middle Propeller Shaft	13000N.m	(搅拌机)6D24+M130S6+457-6×4 加宽 (Mixer)6D24+M130S6+457-6×4 Widened	轴距 1850+4585+1350 Wheel Base 1850+4585+1350	
2206ADP1-010	1	中桥中间传动轴 Intermediate Axle Middle Propeller Shaft	13000N.m	6D24+M130S6+457-6×4 加宽 6D24+M130S6+457-6×4 Widened		

中桥传动轴装置图III / INTERMEDIATE AXLE PROPELLER SHAFT III

22-G



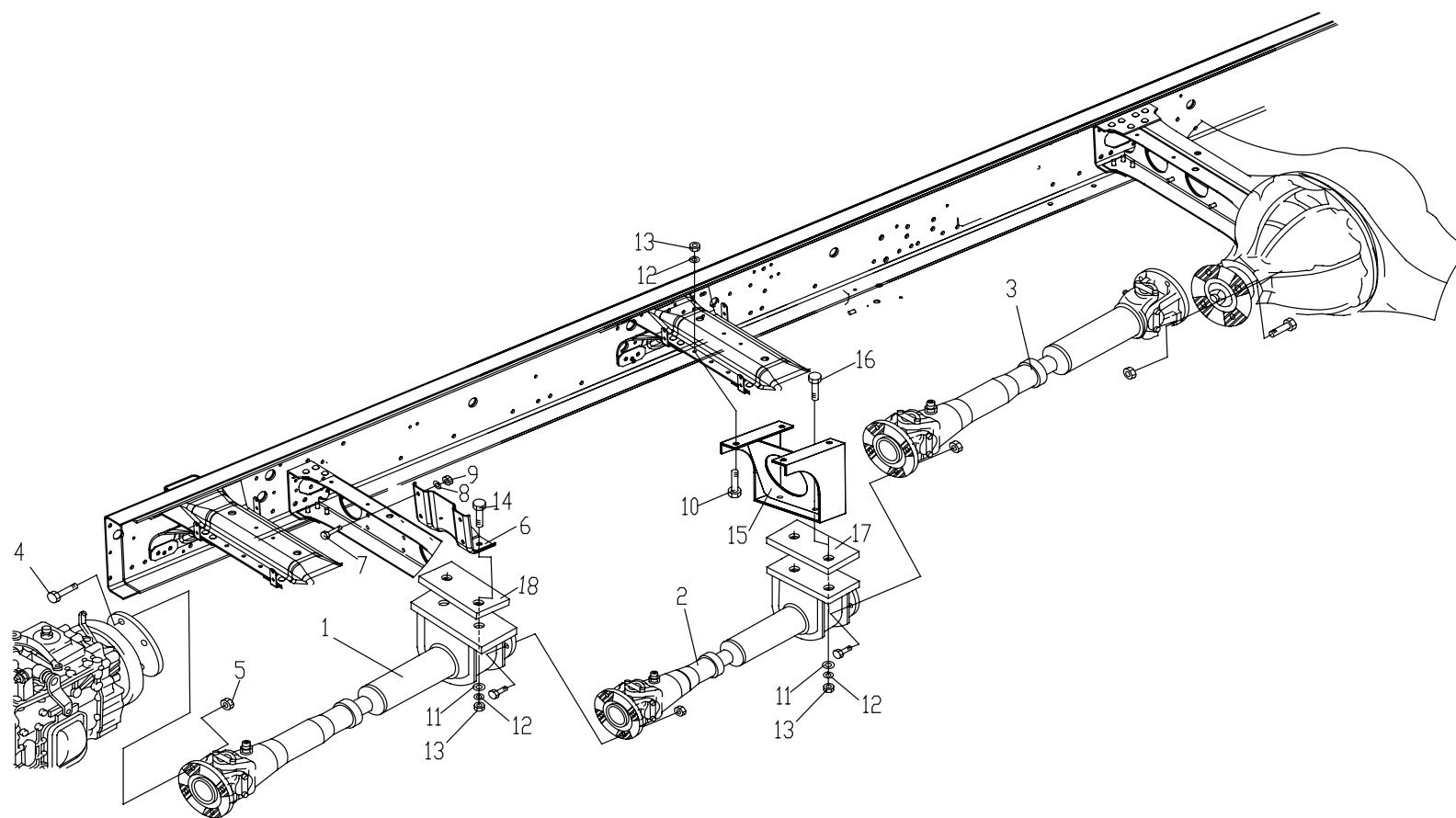
传动轴系统 / PROPELLER SHAFT SYSTEM

22-72

序号 No.	件号 Part No.	数量 Quantity	名称 Name	规格 Specification	适用产品 Products Applied	备注 Remark	
1	2206AH19D-410	1	中桥中间传动轴 Intermediate Axle Middle Propeller Shaft	15000N.m	WD615.38+9JS180(G1376)+STEYR-6×4 加宽 WD615.38+9JS180(G1376)+STEYR-6×4 Widened	轴距 1850+3980+1350 Wheel Base 1850+3980+1350	
	2206AH19D-420	1	中桥中间传动轴 Intermediate Axle Middle Propeller Shaft	15000N.m	WD615.38+16JS200TA+STEYR-6×4 加宽 WD615.38+16JS200TA+STEYR-6×4 Widened		
	2206AH5D-410	1	中桥中间传动轴 Intermediate Axle Middle Propeller Shaft	15000N.m	WD615.38+RT11509C(G1375)+STEYR-6×4 加宽 WD615.38+RT11509C(G1375)+STEYR-6×4 Widened WD615.46+RT11509C(G1375)+457-6×4 加宽 WD615.46+RT11509C(G1375)+457-6×4 Widened		
	2206AHDZ-010	1	中桥中间传动轴 Intermediate Axle Middle Propeller Shaft	13000N.m	6D24+M130S6+457-6×4 加宽 6D24+M130S6+457-6×4 Widened		
	2206B34DP10-710	1	中桥中间传动轴 Intermediate Axle Middle Propeller Shaft	13000N.m	6WF1+MJD7S+457-6×4 加宽 6WF1+MJD7S+457-6×4 Widened		轴距 1850+4585+1350 Wheel Base 1850+4585+1350
	2	2206A19D-420	1	中桥中间传动轴 Intermediate Axle Middle Propeller Shaft	15000N.m		WD615.38+16JS200TA+STEYR-6×4 加宽 WD615.38+16JS200TA+STEYR-6×4 Widened WD615.38+RT11509C(G1375)+STEYR-6×4 加宽 WD615.38+RT11509C(G1375)+STEYR-6×4 Widened
中桥中间传动轴 Intermediate Axle Middle Propeller Shaft				WD615.38+12JS180T(2768)+STEYR-6×4 加宽 WD615.38+12JS180T(2768)+STEYR-6×4 Widened\			
中桥中间传动轴 Intermediate Axle Middle Propeller Shaft				WD615.38+12JS160T(2035)+STEYR-6×4 加宽 WD615.38+12JS160T(2035)+STEYR-6×4 Widened			
中桥中间传动轴 Intermediate Axle Middle Propeller Shaft				WD615.38+9JS180(G1376)+STEYR-6×4 加宽 WD615.38+9JS180(G1376)+STEYR-6×4 Widened			

中桥传动轴装置图III / INTERMEDIATE AXLE PROPELLER SHAFT III

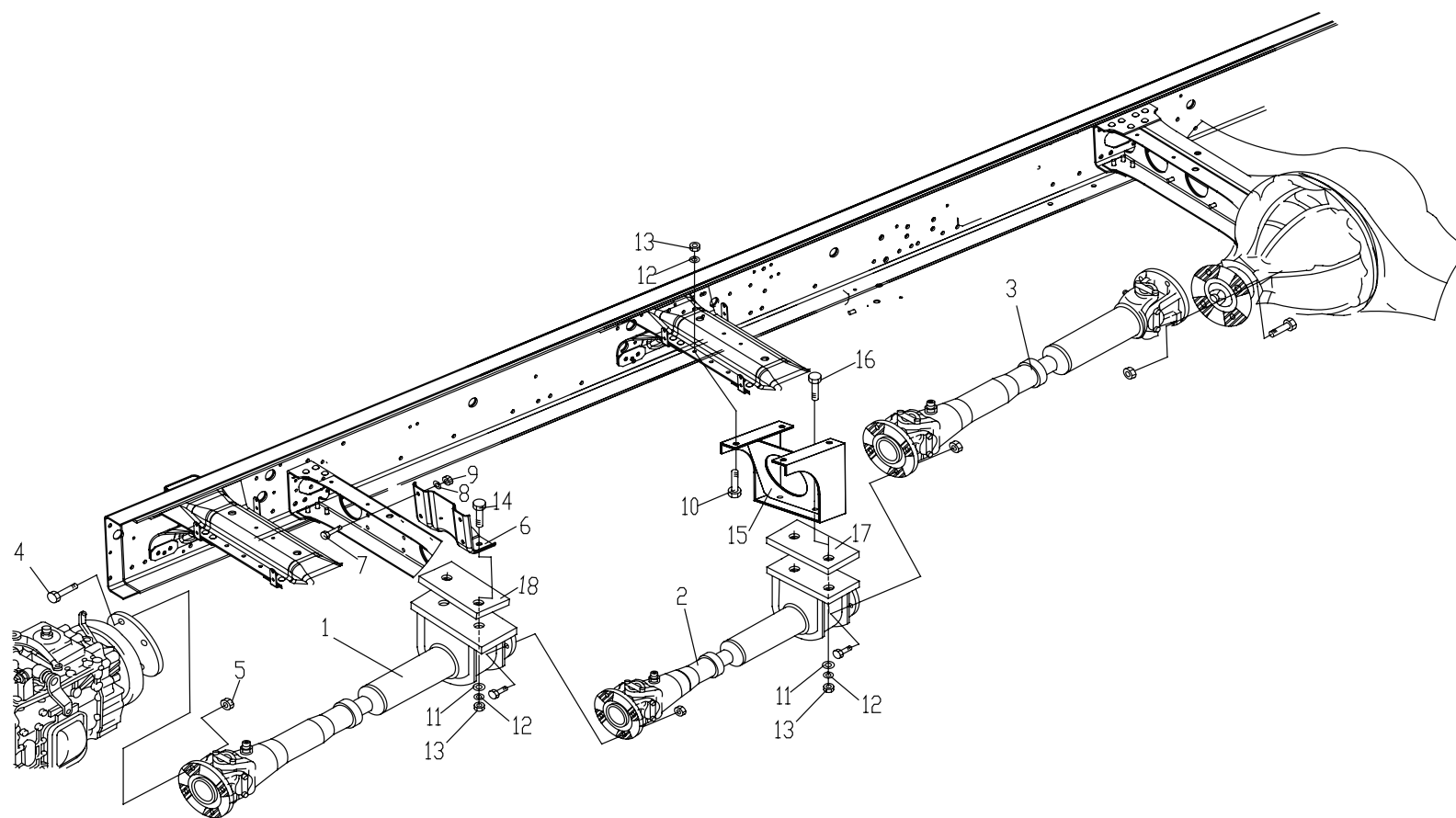
22-G



序号 No.	件号 Part No.	数量 Quantity	名称 Name	规格 Specification	适用产品 Products Applied	备注 Remark
2	2206A19D-420	1	中桥中间传动轴 Intermediate Axle Middle Propeller Shaft	15000N.m	WD615.46+RT11509C(G1375)+457-6×4 加宽 WD615.46+RT11509C(G1375)+457-6×4 Widened	轴距 1850+3980+1350 Wheel Base 1850+3980+1350
	2206A3DP3-020	1	中桥中间传动轴 Intermediate Axle Middle Propeller Shaft	13000N.m	WD615.50+9JS119(1576)+STEYR-6×4 加宽 WD615.50+9JS119(1576)+STEYR-6×4 Widened	轴距 1850+4585+1350 Wheel Base 1850+4585+1350
	2206A3DP3-020	1	中桥中间传动轴 Intermediate Axle Middle Propeller Shaft	13000N.m	WD615.50+9JS119(1576)+457-6×4 加宽 WD615.50+9JS119(1576)+457-6×4 Widened	轴距 1850+4585+1350 Wheel Base 1850+4585+1350
					C280 20+9JS119(1576)+STEYR-6×4 加宽 C280 20+9JS119(1576)+STEYR-6×4 Widened	
					C280 20+9JS119(1576)+457-6×4 加宽 C280 20+9JS119(1576)+457-6×4 Widened	
					6WF1+MJD7S+457-6×4 加宽 6WF1+MJD7S+457-6×4 Widened	
	(搅拌车)6WF1+MJD7S+457-6×4 加宽 (Mixer)6WF1+MJD7S+457-6×4 Widened					
	2206A46D-020	1	中桥中间传动轴 Intermediate Axle Middle Propeller Shaft	15000N.m	WD615.38+12JS160T(2035)+STEYR-6×4 加宽 WD615.38+12JS160T(2035)+STEYR-6×4 Widened	
					WD615.38+9JS180(G1376)+STEYR-6×4 加宽 WD615.38+9JS180(G1376)+STEYR-6×4 Widened	
					WD615.38+12JS180T(2768)+STEYR-6×4 加宽 WD615.38+12JS180T(2768)+STEYR-6×4 Widened	
					WD615.38+12JS160T(2035)+457-6×4 加宽 WD615.38+12JS160T(2035)+457-6×4 Widened	
					ISME385 30+ZF16S(1950)+457-6×4 加宽 ISME385 30+ZF16S(1950)+457-6×4 Widened	

中桥传动轴装置图III / INTERMEDIATE AXLE PROPELLER SHAFT III

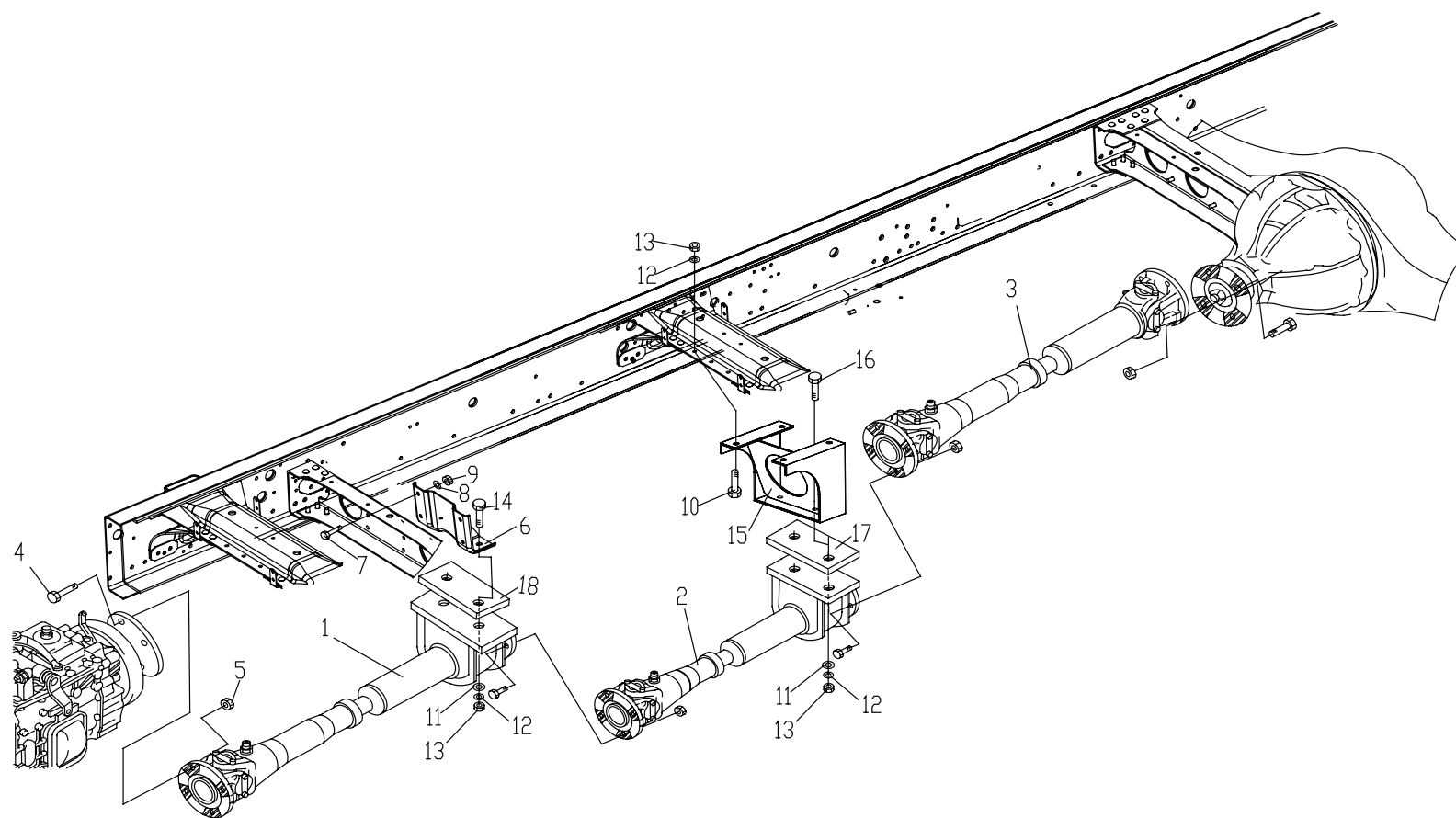
22-G



序号 No.	件号 Part No.	数量 Quantity	名称 Name	规格 Specification	适用产品 Products Applied	备注 Remark
2	2206A46D-020	1	中桥中间传动轴 Intermediate Axle Middle Propeller Shaft	15000N.m	C13-430HP+ZF16S(181)+457-6×4 加宽 C13-430HP+ZF16S(181)+457-6×4 Widened	轴距 1850+4585+1350 Wheel Base 1850+4585+1350
	2206A6DP5-320	1	中桥中间传动轴 Intermediate Axle Middle Propeller Shaft	13000N.m	WD615.56+8JS118+STEYR-6×4 加宽 WD615.56+8JS118+STEYR-6×4 Widened	轴距 1850+4016+1350 Wheel Base 1850+4016+1350
					WD12.336+9JS119(1576)+STEYR-6×4 加宽 WD12.336+9JS119(1576)+STEYR-6×4 Widened	轴距 1850+3980+1350 Wheel Base 1850+3980+1350
					WD615.50+9JS119(1576)+STEYR-6×4 加宽 WD615.50+9JS119(1576)+STEYR-6×4 Widened	
					WD615.34+RT11509C(1242)+457-6×4 加宽 WD615.34+RT11509C(1242)+457-6×4 Widened	
	2206A9DP9-320	1	中桥中间传动轴 Intermediate Axle Middle Propeller Shaft	13000N.m	WD615.56+RT11509C(1242)+STEYR-6×4 加宽 WD615.56+RT11509C(1242)+STEYR-6×4 Widened	轴距 5830+1350 Wheel Base 5830+1350
					WD615.34+RT11509C(1242)+457-6×4 加宽 WD615.34+RT11509C(1242)+457-6×4 Widened	
	2206A9DP9-320	1	中桥中间传动轴 Intermediate Axle Middle Propeller Shaft	13000N.m	YC6A240-20+8JS118(1416)+457-6×4 加宽 YC6A240-20+8JS118(1416)+457-6×4 Widened	轴距 5830+1350 Wheel Base 5830+1350
	2206AD-010	1	中桥中间传动轴 Intermediate Axle Middle Propeller Shaft	13000N.m	6D24+M130S6+457-6×4 加宽 6D24+M130S6+457-6×4 Widened	轴距 1850+4585+1350 Wheel Base 1850+4585+1350
					(搅拌机)6D24+M130S6+457-6×4 加宽 (Mixer)6D24+M130S6+457-6×4 Widened	

中桥传动轴装置图III / INTERMEDIATE AXLE PROPELLER SHAFT III

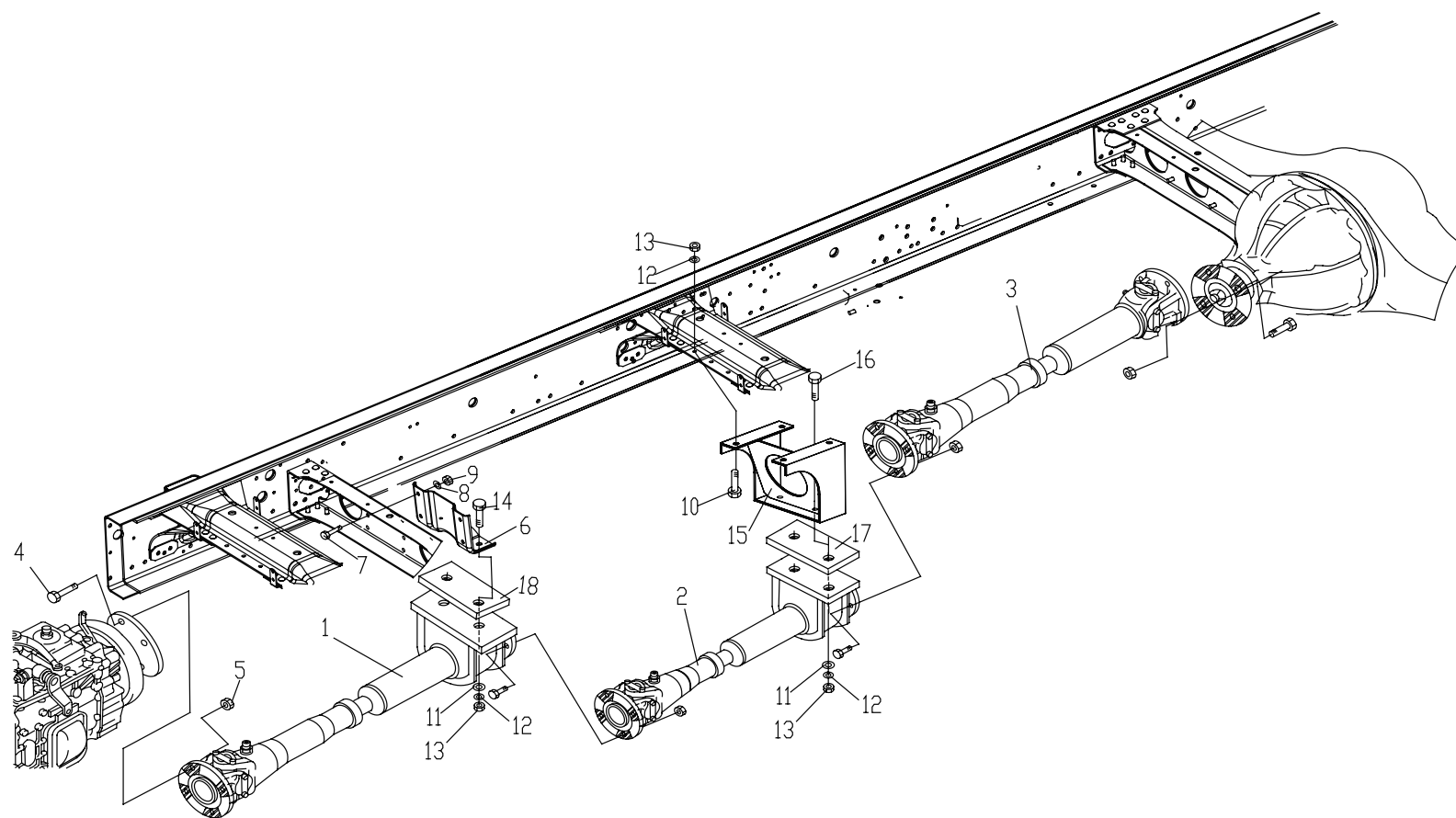
22-G



序号 No.	件号 Part No.	数量 Quantity	名称 Name	规格 Specification	适用产品 Products Applied	备注 Remark
2	2206AHDZ-020	1	中桥中间传动轴 Intermediate Axle Middle Propeller Shaft	13000N.m	6D24+M130S6+457-6×4 加宽 6D24+M130S6+457-6×4 Widened	轴距 1850+3980+1350 Wheel Base 1850+3980+1350
3	2205A16DZ-010	1	中桥传动轴 Intermediate Axle Propeller Shaft	15000N.m	WD615.38+12JS160T(2035)+STEYR-6×4 加宽 WD615.38+12JS160T(2035)+STEYR-6×4 Widened	轴距 1850+4585+1350 Wheel Base 1850+4585+1350
					WD615.38+9JS180(G1376)+STEYR-6×4 加宽 WD615.38+9JS180(G1376)+STEYR-6×4 Widened	
					WD615.38+12JS180T(2768)+STEYR-6×4 加宽 WD615.38+12JS180T(2768)+STEYR-6×4 Widened	
	2205A18DQ-030	1	中桥传动轴 Intermediate Axle Propeller Shaft	15000N.m	WD615.46+RT11509C(G1375)+457-6×4 加宽 WD615.46+RT11509C(G1375)+457-6×4 Widened	轴距 1850+3980+1350 Wheel Base 1850+3980+1350
	2205A18DQ-420	1	中桥传动轴 Intermediate Axle Propeller Shaft	15000N.m	WD615.38+12JS160T(2035)+457-6×4 加宽 WD615.38+12JS160T(2035)+457-6×4 Widened	轴距 1850+4585+1350 Wheel Base 1850+4585+1350
					ISME385 30+ZF16S(1950)+457-6×4 加宽 ISME385 30+ZF16S(1950)+457-6×4 Widened	
2205A21D-060	1	中桥传动轴 Intermediate Axle Propeller Shaft	13000N.m	WD12.336+9JS119(1576)+STEYR-6×4 加宽 WD12.336+9JS119(1576)+STEYR-6×4 Widened	轴距 1850+3980+1350 Wheel Base 1850+3980+1350	
				WD615.50+9JS119(1576)+STEYR-6×4 加宽 WD615.50+9JS119(1576)+STEYR-6×4 Widened		
				L345 20+9JS150T(2511)+STEYR-6×4 加宽 L345 20+9JS150T(2511)+STEYR-6×4		
2205A2DZ-010	1	中桥传动轴 Intermediate Axle Propeller Shaft	13000N.m	WD615.34+RT11509C(1242)+457-6×4 加宽 WD615.34+RT11509C(1242)+457-6×4 Widened	轴距 5830+1350 Wheel Base 5830+1350	

中桥传动轴装置图III / INTERMEDIATE AXLE PROPELLER SHAFT III

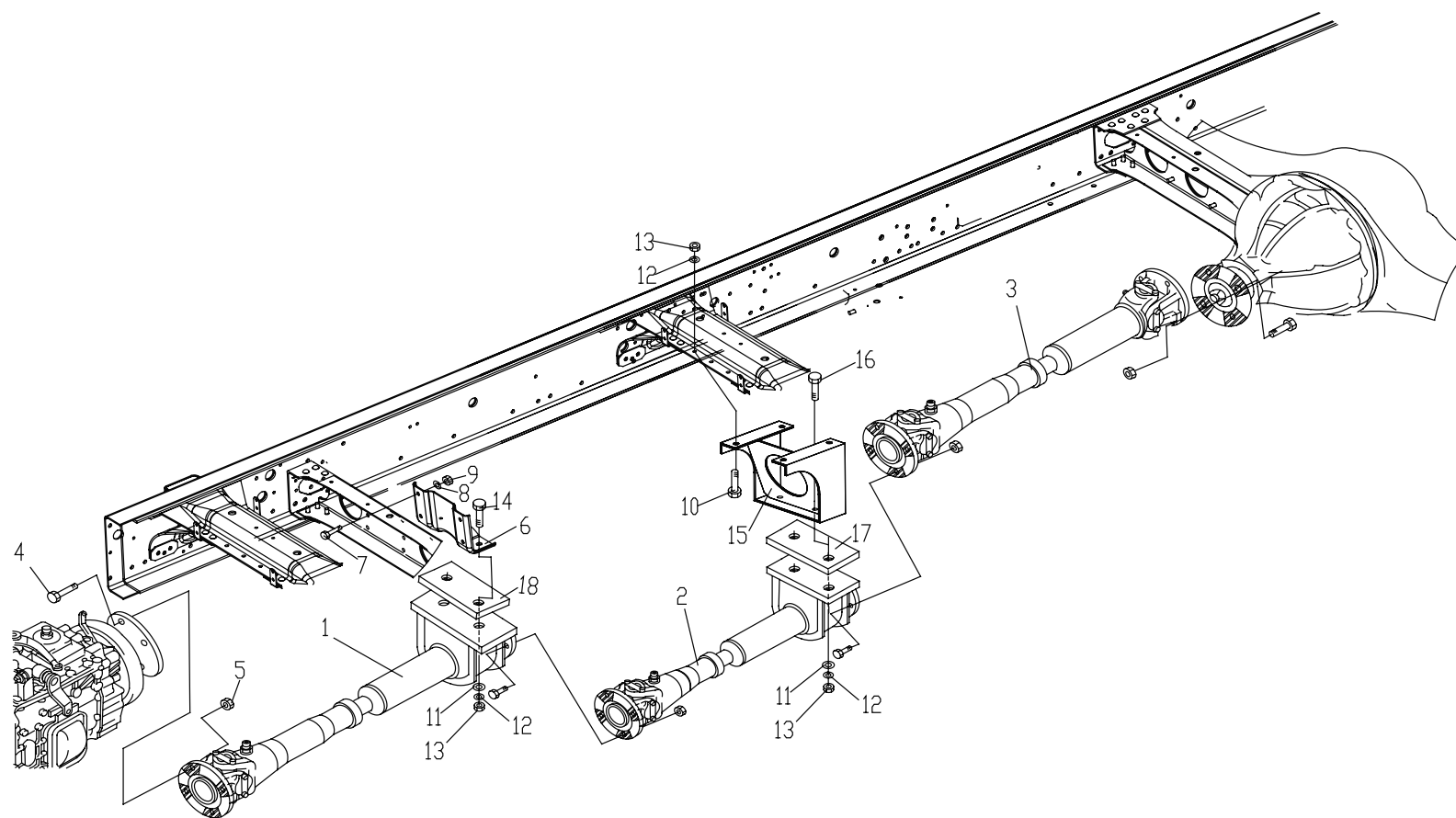
22-G



序号 No.	件号 Part No.	数量 Quantity	名称 Name	规格 Specification	适用产品 Products Applied	备注 Remark
3	2205A47D-010	1	中桥传动轴 Intermediate Axle Propeller Shaft	15000N.m	C13-430HP+ZF16S(181)+457-6×4 加宽 C13-430HP+ZF16S(181)+457-6×4 Widened	轴距 1850+4585+1350 Wheel Base 1850+4585+1350
	2205A51D-010	1	中桥传动轴 Intermediate Axle Propeller Shaft	13000N.m	C280 20+9JS119(1576)+457-6×4 加宽 C280 20+9JS119(1576)+457-6×4 Widened	
					6WF1+MJD7S+457-6×4 加宽 6WF1+MJD7S+457-6×4 Widened	
	2205A5DZ-430	1	中桥传动轴 Intermediate Axle Propeller Shaft	15000N.m	WD615.38+16JS200TA+STEYR-6×4 加宽 WD615.38+16JS200TA+STEYR-6×4 Widened	轴距 1850+3980+1350 Wheel Base 1850+3980+1350
					WD615.38+12JS180T(2768)+STEYR-6×4 加宽 WD615.38+12JS180T(2768)+STEYR-6×4 Widened	
					WD615.38+12JS160T(2035)+STEYR-6×4 加宽 WD615.38+12JS160T(2035)+STEYR-6×4 Widened	
					WD615.38+9JS180(G1376)+STEYR-6×4 加宽 WD615.38+9JS180(G1376)+STEYR-6×4 Widened	
	2205A9DP5-410	1	中桥传动轴 Intermediate Axle Propeller Shaft	13000N.m	WD615.56+8JS118+STEYR-6×4 加宽 WD615.56+8JS118+STEYR-6×4 Widened	轴距 1850+4016+1350 Wheel Base 1850+4016+1350
2205A9DZ1-010	1	中桥传动轴 Intermediate Axle Propeller Shaft	13000N.m	WD615.34+RT11509C(1242)+457-6×4 加宽 WD615.34+RT11509C(1242)+457-6×4 Widened	轴距 1850+3980+1350 Wheel Base 1850+3980+1350	
2205AH12D-010	1	中桥传动轴 Intermediate Axle Propeller Shaft	13000N.m	YC6A240-20+8JS118(1416)+457-6×4 加宽 YC6A240-20+8JS118(1416)+457-6×4 Widened	轴距 5830+1350 Wheel Base 5830+1350	

中桥传动轴装置图III / INTERMEDIATE AXLE PROPELLER SHAFT III

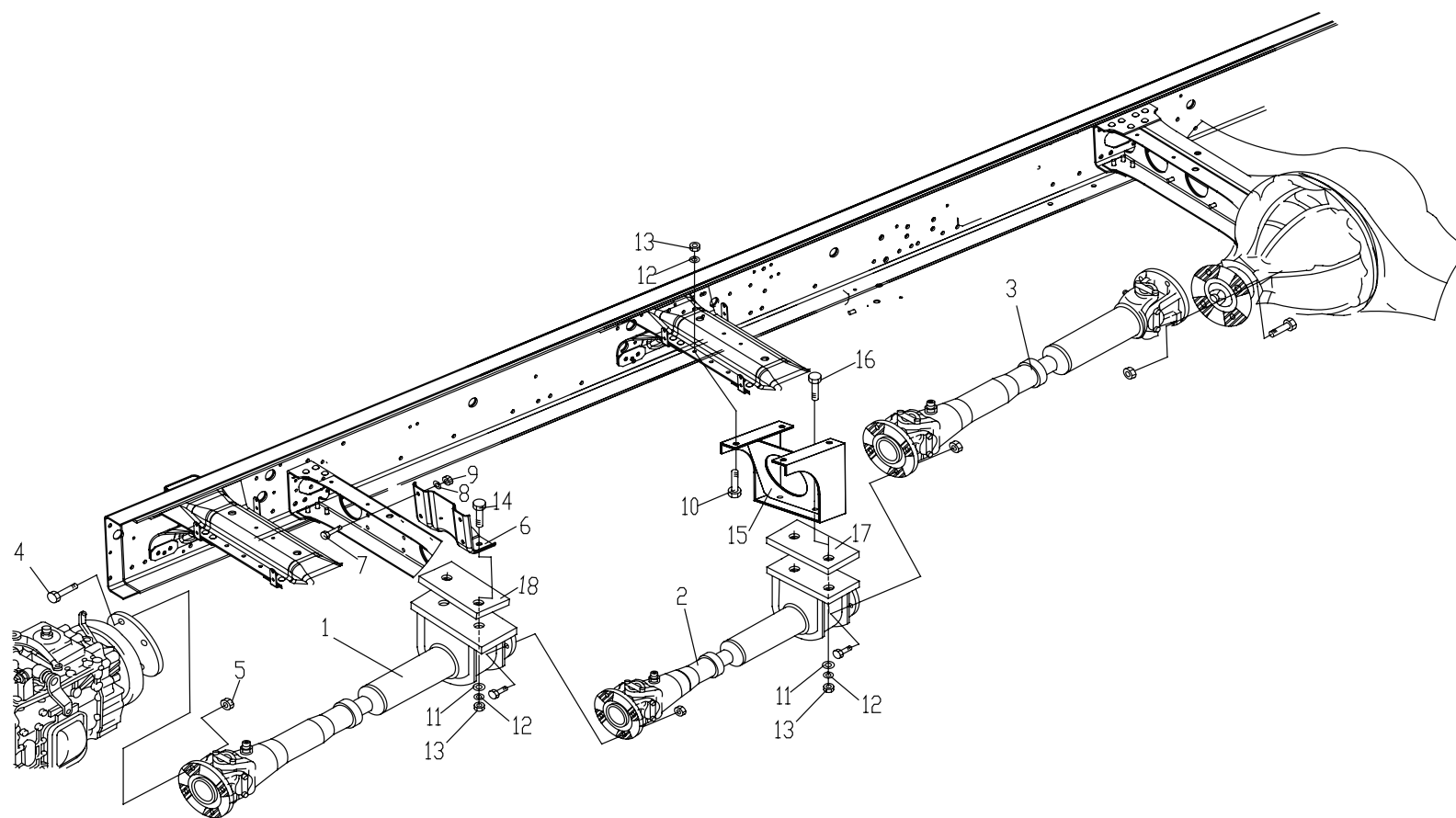
22-G



序号 No.	件号 Part No.	数量 Quantity	名称 Name	规格 Specification	适用产品 Products Applied	备注 Remark
3	2205AH20D-410	1	中桥传动轴 Intermediate Axle Propeller Shaft	13000N.m	WD615.50+9JS119(1576)+STEYR-6×4 加宽 WD615.50+9JS119(1576)+STEYR-6×4 Widened C280 20+9JS119(1576)+STEYR-6×4 加宽 C280 20+9JS119(1576)+STEYR-6×4 Widened	轴距 1850+4585+1350 Wheel Base 1850+4585+1350
	2205AH2D-410	1	中桥传动轴 Intermediate Axle Propeller Shaft	13000N.m	WD615.56+RT11509C(1242)+STEYR-6×4 加宽 WD615.56+RT11509C(1242)+STEYR-6×4 Widened	轴距 5830+1350 Wheel Base 5830+1350
	2205AH4D-010	1	中桥传动轴 Intermediate Axle Propeller Shaft	13000N.m	WD615.50+9JS119(1576)+457-6×4 加宽 WD615.50+9JS119(1576)+457-6×4 Widened	轴距 1850+4585+1350 Wheel Base 1850+4585+1350
	2205AH5DQ-810 1285-1435*	1	中桥传动轴 Intermediate Axle Propeller Shaft	15000N.m	WD615.38+RT11509C(G1375)+STEYR-6×4 加宽 WD615.38+RT11509C(G1375)+STEYR-6×4 Widened	轴距 1850+3980+1350 Wheel Base 1850+3980+1350
	2205AHD-030	1	中桥传动轴 Intermediate Axle Propeller Shaft	13000N.m	6D24+M130S6+457-6×4 加宽 6D24+M130S6+457-6×4 Widened (搅拌车)6D24+M130S6+457-6×4 加宽 (Mixer)6D24+M130S6+457-6×4 Widened	轴距 1850+4585+1350 Wheel Base 1850+4585+1350
	2205AHDZ-020	1	中桥传动轴 Intermediate Axle Propeller Shaft	13000N.m	6D24+M130S6+457-6×4 加宽 6D24+M130S6+457-6×4 Widened	轴距 1850+3980+1350 Wheel Base 1850+3980+1350
4	22AD-01111	16	六角螺栓 Hexagon Bolt			
5	Q334B14	16	六角锁止螺母 Hexagon Lock Nut			
6	22A21D4-06053	1	中间支撑支架 Middle Support Bracket		WD12.336+9JS119(1576)+STEYR-6×4 加宽 WD12.336+9JS119(1576)+STEYR-6×4 Widened	轴距 1850+3980+1350 Wheel Base 1850+3980+1350

中桥传动轴装置图III / INTERMEDIATE AXLE PROPELLER SHAFT III

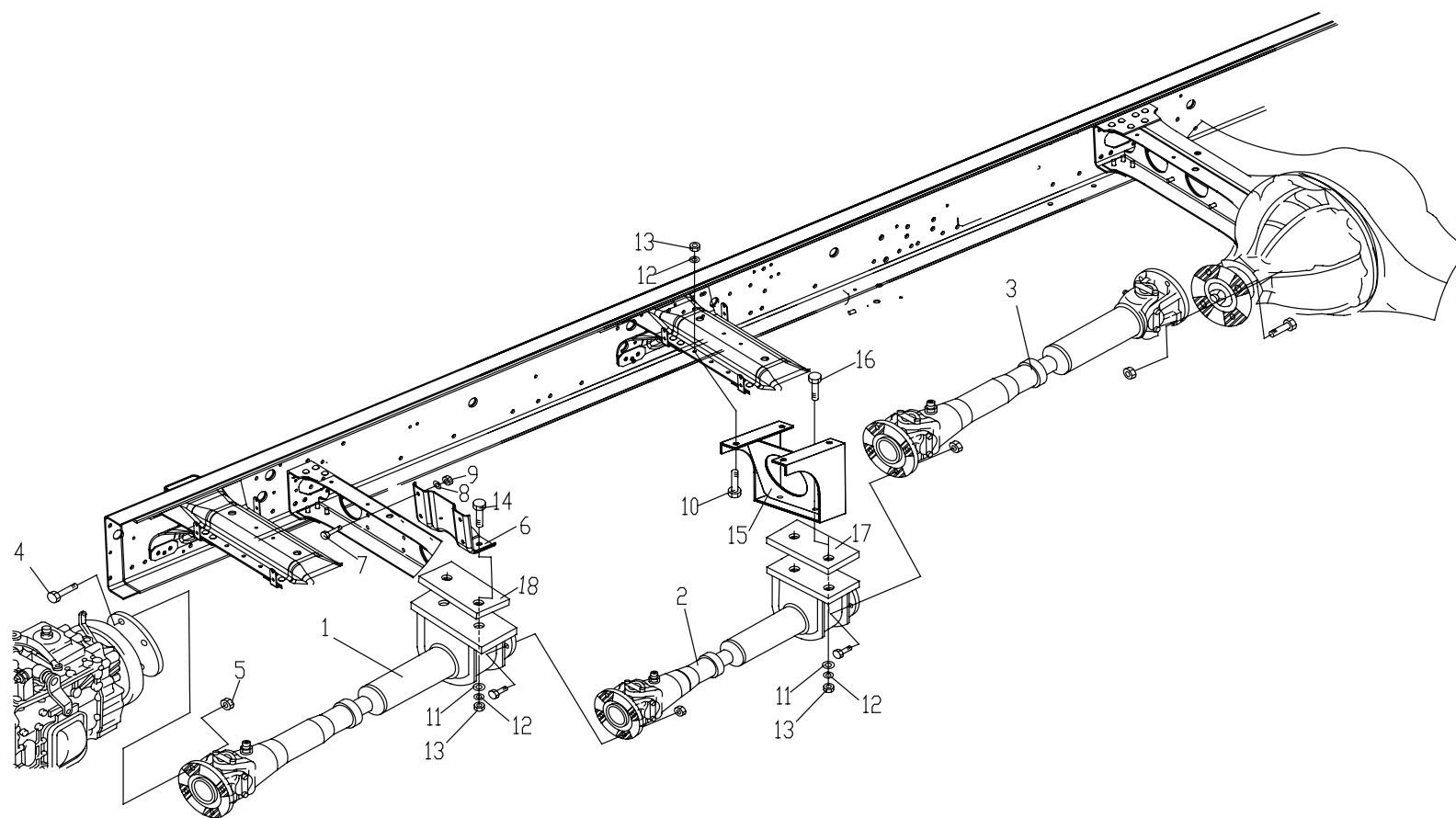
22-G



序号 No.	件号 Part No.	数量 Quantity	名称 Name	规格 Specification	适用产品 Products Applied	备注 Remark
6	22A21D4-06053	1	中间支撑支架 Middle Support Bracket		L345 20+9JS150T(2511)+STEYR-6×4 加宽 L345 20+9JS150T(2511)+STEYR-6×4 Widened	轴距 1850+3980+1350 Wheel Base 1850+3980+1350
					6D24+M130S6+457-6×4 加宽 6D24+M130S6+457-6×4 Widened	
	22A6DP3-06053	1	中间支撑支架 Middle Support Bracket		WD615.38+12JS160T(2035)+STEYR-6×4 加宽 WD615.38+12JS160T(2035)+STEYR-6×4 Widened	轴距 1850+4585+1350 Wheel Base 1850+4585+1350
					WD615.38+12JS180T(2768)+STEYR-6×4 加宽 WD615.38+12JS180T(2768)+STEYR-6×4 Widened	
					WD615.38+12JS160T(2035)+457-6×4 加宽 WD615.38+12JS160T(2035)+457-6×4 Widened	
					WD615.50+9JS119(1576)+STEYR-6×4 加宽 WD615.50+9JS119(1576)+STEYR-6×4 Widened	
					WD615.50+9JS119(1576)+457-6×4 加宽 WD615.50+9JS119(1576)+457-6×4 Widened	
					(搅拌机)6WF1+MJD7S+457-6×4 加宽 (Mixer)6WF1+MJD7S+457-6×4 Widened	
					WD615.38+9JS180(G1376)+STEYR-6×4 加宽 WD615.38+9JS180(G1376)+STEYR-6×4 Widened	
	6WF1+MJD7S+457-6×4 加宽 6WF1+MJD7S+457-6×4 Widened					
22A6DP9-06053	1	中间支撑支架 Middle Support Bracket		C13-430HP+ZF16S(181)+457-6×4 加宽 C13-430HP+ZF16S(181)+457-6×4 Widened	轴距 1850+4585+1350 Wheel Base 1850+4585+1350	

中桥传动轴装置图III / INTERMEDIATE AXLE PROPELLER SHAFT III

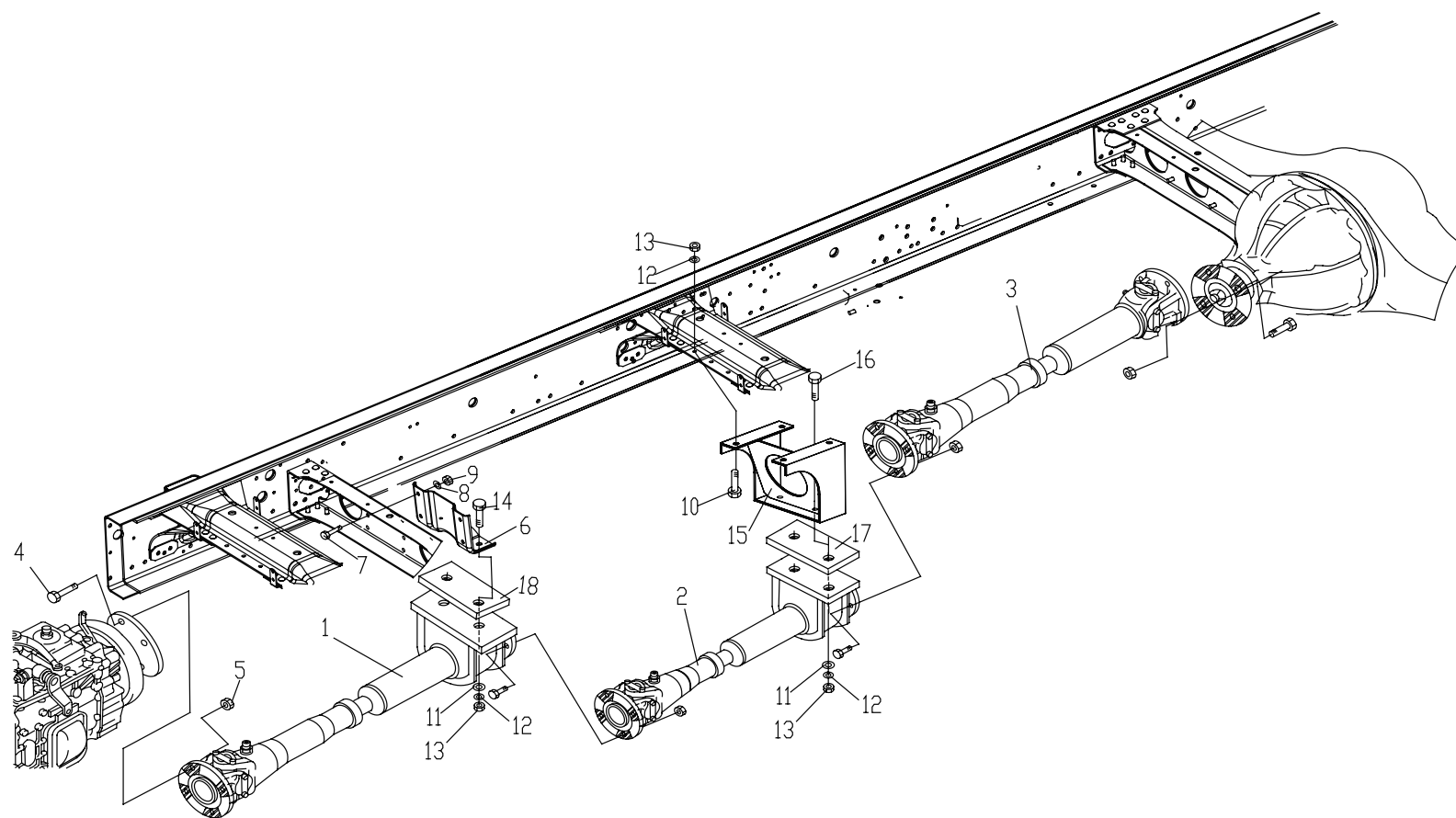
22-G



序号 No.	件号 Part No.	数量 Quantity	名称 Name	规格 Specification	适用产品 Products Applied	备注 Remark
6	22A6DP9-06053	1	中间支撑支架 Middle Support Bracket		WD615.56+RT11509C(1242)+STEYR-6×4 加宽 WD615.56+RT11509C(1242)+STEYR-6×4 Widened	轴距 5830+1350 Wheel Base 5830+1350
					WD615.34+RT11509C(1242)+457-6×4 加宽 WD615.34+RT11509C(1242)+457-6×4 Widened	
					YC6A240-20+8JS118(1416)+457-6×4 加宽 YC6A240-20+8JS118(1416)+457-6×4 Widened	
7	Q151B1235	4	六角螺栓 Hexagon Bolt			
8	Q40512	4	弹性垫圈 Spring Washer			
9	Q341B12	4	I 型六角螺母 Hexagon Full Nut			
10	Q151B1435	4	六角螺栓 Hexagon Bolt			
11	Q40114	4	平垫圈 Plate Washer			
12	Q40514	8	弹性垫圈 Spring Washer			
13	Q341B14	8	I 型六角螺母 Hexagon Full Nut			
14	Q151B1435	2	六角螺栓 Hexagon Bolt			选装 Option
	Q151B1460	2	六角螺栓 Hexagon Bolt			

中桥传动轴装置图III / INTERMEDIATE AXLE PROPELLER SHAFT III

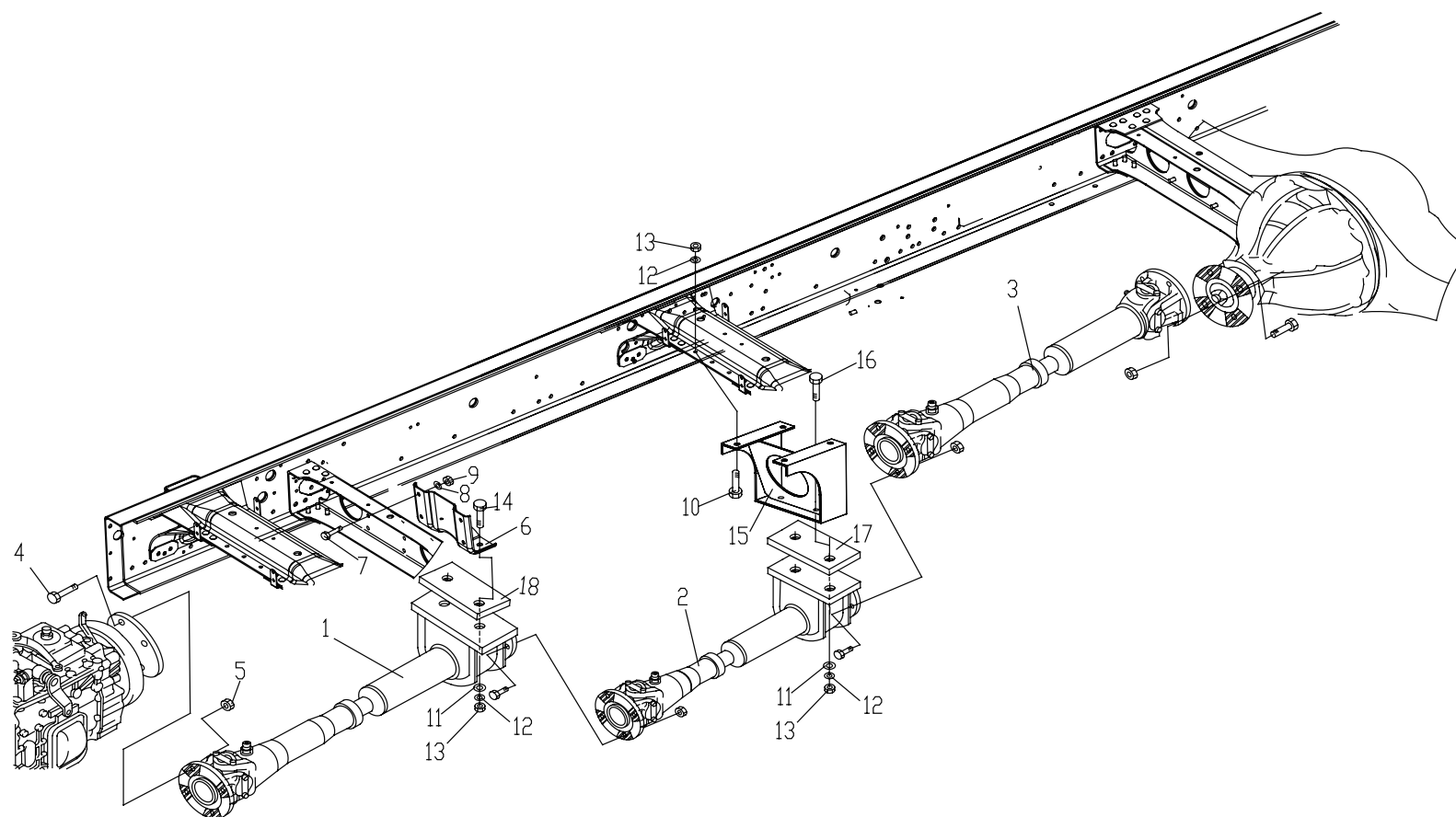
22-G



序号 No.	件号 Part No.	数量 Quantity	名称 Name	规格 Specification	适用产品 Products Applied	备注 Remark
14	Q151B1455	2	六角螺栓 Hexagon Bolt			选装 Option
	Q151B1450	2	六角螺栓 Hexagon Bolt			
15	22A6DP7-06015	1	中间支撑支架 Middle Support Bracket		WD12.336+9JS119(1576)+STEYR-6×4 加宽 WD12.336+9JS119(1576)+STEYR-6×4 Widened	轴距 1850+3980+1350 Wheel Base 1850+3980+1350
					C280 20+9JS119(1576)+STEYR-6×4 加宽 C280 20+9JS119(1576)+STEYR-6×4 Widened	
					L345 20+9JS150T(2511)+STEYR-6×4 加宽 L345 20+9JS150T(2511)+STEYR-6×4 Widened	
	22A6DP3-06015	1	中间支撑支架 Middle Support Bracket		C13-430HP+ZF16S(181)+457-6×4 加宽 C13-430HP+ZF16S(181)+457-6×4 Widened	轴距 1850+4585+1350 Wheel Base 1850+4585+1350
					WD615.38+12JS160T(2035)+STEYR-6×4 加宽 WD615.38+12JS160T(2035)+STEYR-6×4 Widened	
					WD615.38+12JS180T(2768)+STEYR-6×4 加宽 WD615.38+12JS180T(2768)+STEYR-6×4 Widened	
					WD615.38+12JS180T(2768)+STEYR-6×4 加宽 WD615.38+12JS180T(2768)+STEYR-6×4 Widened	轴距 1850+3980+1350 Wheel Base 1850+3980+1350
					WD615.38+12JS160T(2035)+STEYR-6×4 加宽 WD615.38+12JS160T(2035)+STEYR-6×4 Widened	
					WD615.50+9JS119(1576)+STEYR-6×4 加宽 WD615.50+9JS119(1576)+STEYR-6×4	轴距 1850+4585+1350 Wheel Base 1850+4585+1350
					(搅拌机)6WF1+MJD7S+457-6×4 加宽 (Mixer)6WF1+MJD7S+457-6×4 Widened	

中桥传动轴装置图III / INTERMEDIATE AXLE PROPELLER SHAFT III

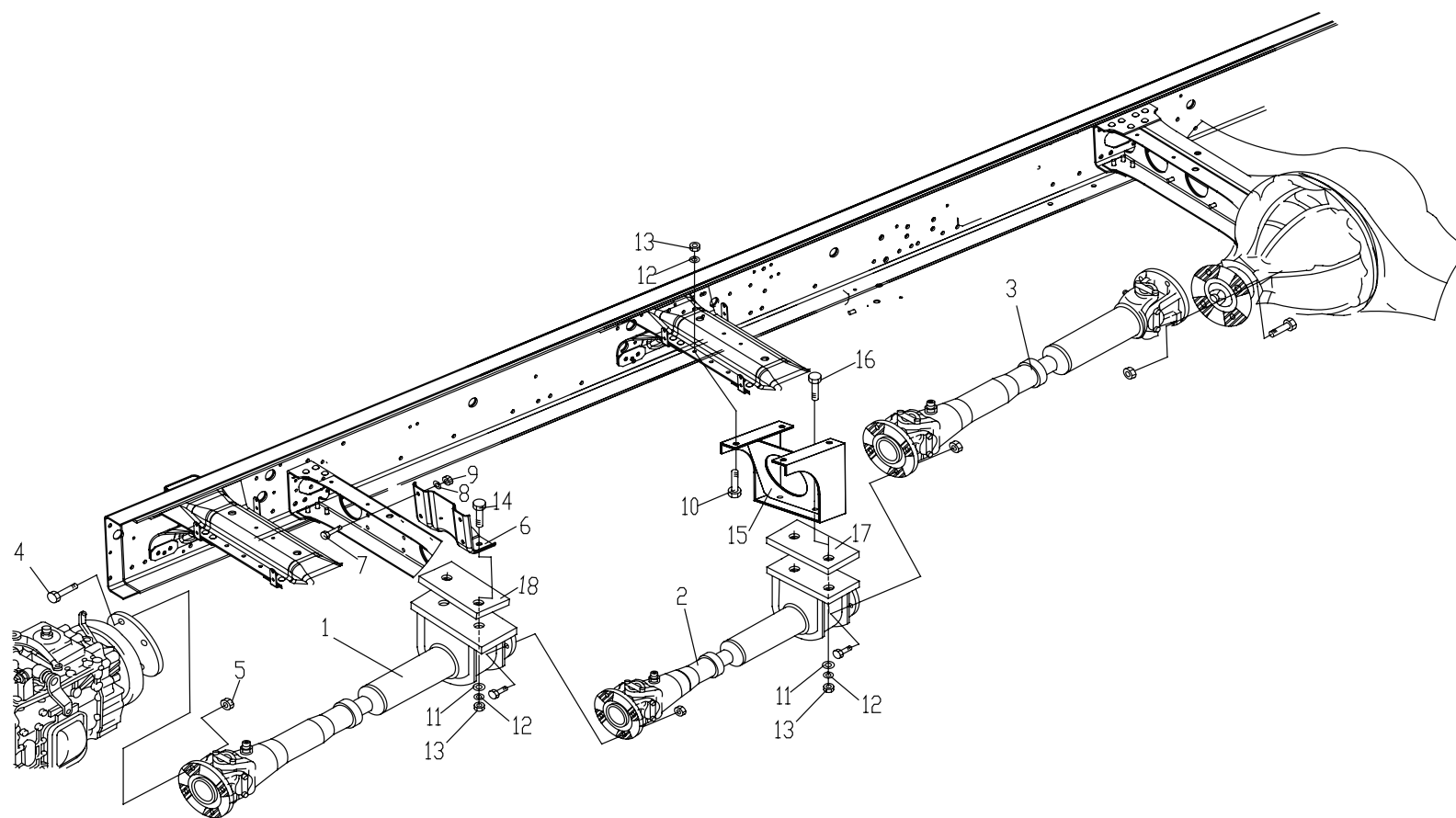
22-G



序号 No.	件号 Part No.	数量 Quantity	名称 Name	规格 Specification	适用产品 Products Applied	备注 Remark
15	22A6DP3-06015	1	中间支撑支架 Middle Support Bracket		ISME385 30+ZF16S(1950)+457-6×4 加宽 ISME385 30+ZF16S(1950)+457-6×4 Widened	轴距 1850+4585+1350 Wheel Base 1850+4585+1350
					WD615.38+9JS180(G1376)+STEYR-6×4 加宽 WD615.38+9JS180(G1376)+STEYR-6×4 Widened	
					WD615.56+8JS118+STEYR-6×4 加宽 WD615.56+8JS118+STEYR-6×4 Widened	轴距 1850+4016+1350 Wheel Base 1850+4016+1350
					C280 20+9JS119(1576)+457-6×4 加宽 C280 20+9JS119(1576)+457-6×4 Widened	轴距 1850+4585+1350 Wheel Base 1850+4585+1350
					(搅拌机) 6D24+M130S6+457-6×4 加宽 (Mixer)6D24+M130S6+457-6×4 Widened	
					WD615.38+16JS200TA+STEYR-6×4 加宽 WD615.38+16JS200TA+STEYR-6×4 Widened	轴距 1850+3980+1350 Wheel Base 1850+3980+1350
					6D24+M130S6+457-6×4 加宽 6D24+M130S6+457-6×4 Widened	
					6WF1+MJD7S+457-6×4 加宽 6WF1+MJD7S+457-6×4 Widened	轴距 1850+4585+1350 Wheel Base 1850+4585+1350
15	22A6DP5-06015	1	中间支撑支架 Middle Support Bracket		WD615.38+12JS160T(2035)+457-6×4 加宽 WD615.38+12JS160T(2035)+457-6×4 Widened	轴距 1850+4585+1350 Wheel Base 1850+4585+1350
					WD615.50+9JS119(1576)+457-6×4 加宽 WD615.50+9JS119(1576)+457-6×4 Widened	
					WD615.50+9JS119(1576)+STEYR-6×4 加宽 WD615.50+9JS119(1576)+STEYR-6×4 Widened	轴距 1850+3980+1350 Wheel Base 1850+3980+1350

中桥传动轴装置图III / INTERMEDIATE AXLE PROPELLER SHAFT III

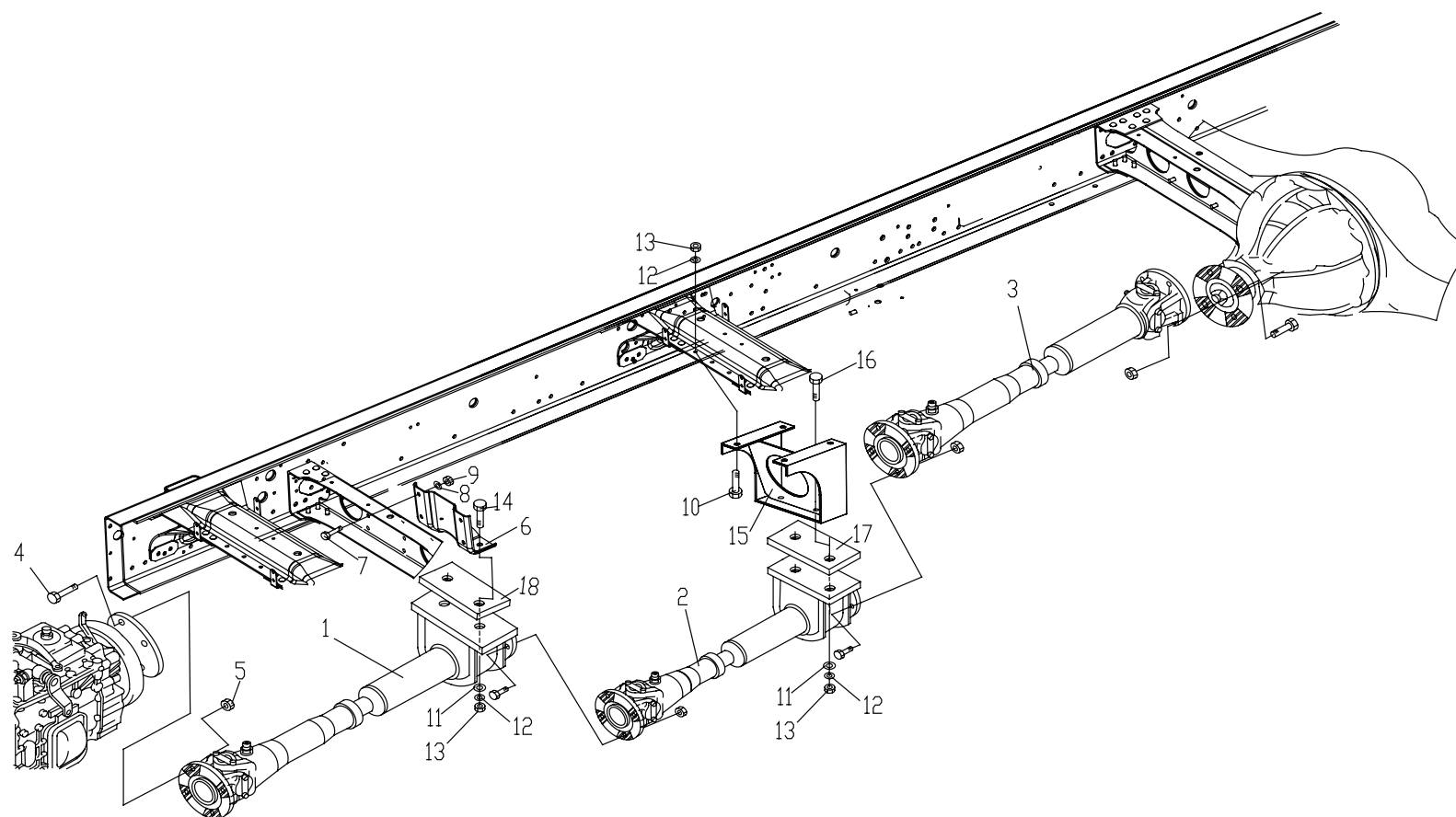
22-G



序号 No.	件号 Part No.	数量 Quantity	名称 Name	规格 Specification	适用产品 Products Applied	备注 Remark
15	22A6DP5-06015	1	中间支撑支架 Middle Support Bracket		WD615.34+RT11509C(1242)+457-6×4 加宽 WD615.34+RT11509C(1242)+457-6×4 Widened	轴距 1850+3980+1350 Wheel Base 1850+3980+1350
					WD615.56+RT11509C(1242)+STEYR-6×4 加宽 WD615.56+RT11509C(1242)+STEYR-6×4 Widened	轴距 5830+1350 Wheel Base 5830+1350
					WD615.34+RT11509C(1242)+457-6×4 加宽 WD615.34+RT11509C(1242)+457-6×4 Widened	
					YC6A240-20+8JS118(1416)+457-6×4 加宽 YC6A240-20+8JS118(1416)+457-6×4 Widened	
					WD615.38+9JS180(G1376)+STEYR-6×4 加宽 WD615.38+9JS180(G1376)+STEYR-6×4 Widened	
					WD615.38+RT11509C(G1375)+STEYR-6×4 加宽 WD615.38+RT11509C(G1375)+STEYR-6×4 Widened	轴距 1850+3980+1350 Wheel Base 1850+3980+1350
					WD615.46+RT11509C(G1375)+457-6×4 加宽 WD615.46+RT11509C(G1375)+457-6×4 Widened	
16	Q151B1455	2	六角螺栓 Hexagon Bolt			选装 Option
	Q151B1445	2	六角螺栓 Hexagon Bolt			
	Q151B1460	2	六角螺栓 Hexagon Bolt			
	Q151B1435	2	六角螺栓 Hexagon Bolt			
	Q151B1440	2	六角螺栓 Hexagon Bolt			

中桥传动轴装置图III / INTERMEDIATE AXLE PROPELLER SHAFT III

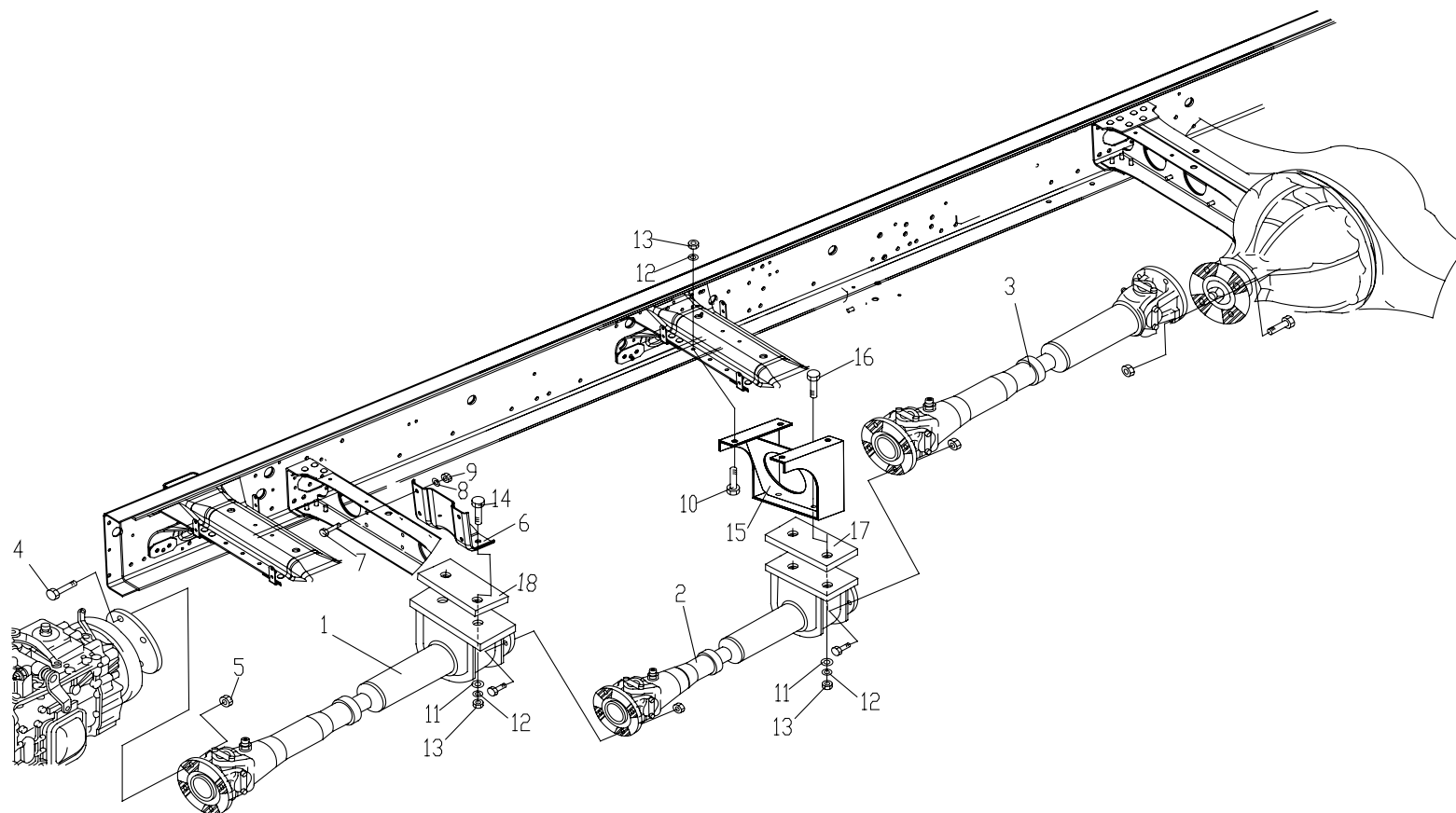
22-G



序号 No.	件号 Part No.	数量 Quantity	名称 Name	规格 Specification	适用产品 Products Applied	备注 Remark
17	22A6DP8-06019	1	垫板 Mat Plate		WD615.50+9JS119(1576)+STEYR-6×4 加宽 WD615.50+9JS119(1576)+STEYR-6×4 Widened	轴距 1850+3980+1350 Wheel Base 1850+3980+1350
					WD615.38+9JS180(G1376)+STEYR-6×4 加宽 WD615.38+9JS180(G1376)+STEYR-6×4 Widened	
					WD615.38+RT11509C(G1375)+STEYR-6×4 加宽 WD615.38+RT11509C(G1375)+STEYR-6×4 Widened	
	22A9DP3-06012	1	垫板 Mat Plate		WD615.50+9JS119(1576)+457-6×4 加宽 WD615.50+9JS119(1576)+457-6×4 Widened	轴距 1850+4585+1350 Wheel Base 1850+4585+1350
					WD615.56+RT11509C(1242)+STEYR-6×4 加宽 WD615.56+RT11509C(1242)+STEYR-6×4 Widened	
					YC6A240-20+8JS118(1416)+457-6×4 加宽 YC6A240-20+8JS118(1416)+457-6×4 Widened	
	22A9DP3-06011	1	垫板 Mat Plate		WD615.38+12JS160T(2035)+457-6×4 加宽 WD615.38+12JS160T(2035)+457-6×4 Widened	轴距 1850+4585+1350 Wheel Base 1850+4585+1350
					WD615.34+RT11509C(1242)+457-6×4 加宽 WD615.34+RT11509C(1242)+457-6×4 Widened	
					WD615.46+RT11509C(G1375)+457-6×4 加宽 WD615.46+RT11509C(G1375)+457-6×4 Widened	

中桥传动轴装置图III / INTERMEDIATE AXLE PROPELLER SHAFT III

22-G



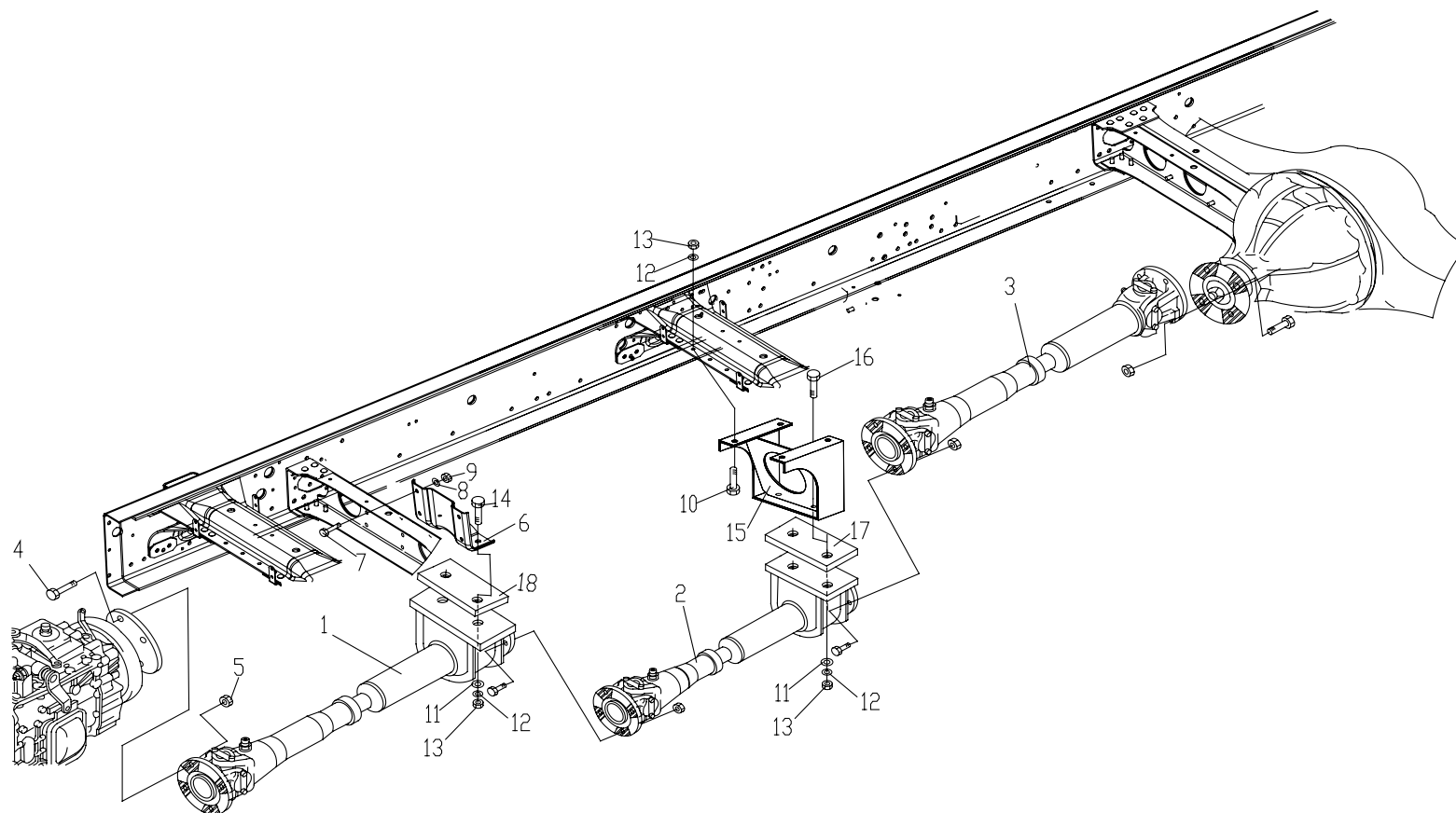
传动轴系统 / PROPELLER SHAFT SYSTEM

22-96

序号 No.	件号 Part No.	数量 Quantity	名称 Name	规格 Specification	适用产品 Products Applied	备注 Remark
1	2206A6DP5-310	1	中桥中间传动轴 Intermediate Axle Middle Propeller Shaft	13000N.m	WD615.50+9JS119(1576)+STEYR-6×4	轴距 1850+4000+1310 Wheel Base 1850+4000+1310
					WD615.50+9JS119(1576)+457-6×4	
					WD615.50+9JS119(1576)+STEYR-6×4 加宽 WD615.50+9JS119(1576)+STEYR-6×4 Widened	轴距 1850+4000+1350 Wheel Base 1850+4000+1350
					WD615.50+9JS119(1576)+457-6×4 加宽 WD615.50+9JS119(1576)+457-6×4 Widened	
	2206A9DP5-310	1	中桥中间传动轴 Intermediate Axle Middle Propeller Shaft	13000N.m	L345 20+9JS119(1576)+STEYR-6×4	轴距 1850+4000+1310 Wheel Base 1850+4000+1310
					L345 20+9JS119(1576)+457-6×4	
L345 20+9JS119(1576)+STEYR-6×4 加宽 L345 20+9JS119(1576)+STEYR-6×4 Widened					轴距 1850+4000+1350 Wheel Base 1850+4000+1350	
2	2206A6DP5-320	1	中桥中间传动轴 Intermediate Axle Middle Propeller Shaft	13000N.m	WD615.50+9JS119(1576)+STEYR-6×4	轴距 1850+4000+1310 Wheel Base 1850+4000+1310
					L345 20+9JS119(1576)+STEYR-6×4	
					WD615.50+9JS119(1576)+457-6×4	
					L345 20+9JS119(1576)+457-6×4	
					WD615.50+9JS119(1576)+STEYR-6×4 加宽 WD615.50+9JS119(1576)+STEYR-6×4 Widened	轴距 1850+4000+1350 Wheel Base 1850+4000+1350
					L345 20+9JS119(1576)+STEYR-6×4 加宽 L345 20+9JS119(1576)+STEYR-6×4 Widened	
					WD615.50+9JS119(1576)+457-6×4 加宽 WD615.50+9JS119(1576)+457-6×4 Widened	

中桥传动轴装置图III / INTERMEDIATE AXLE PROPELLER SHAFT III

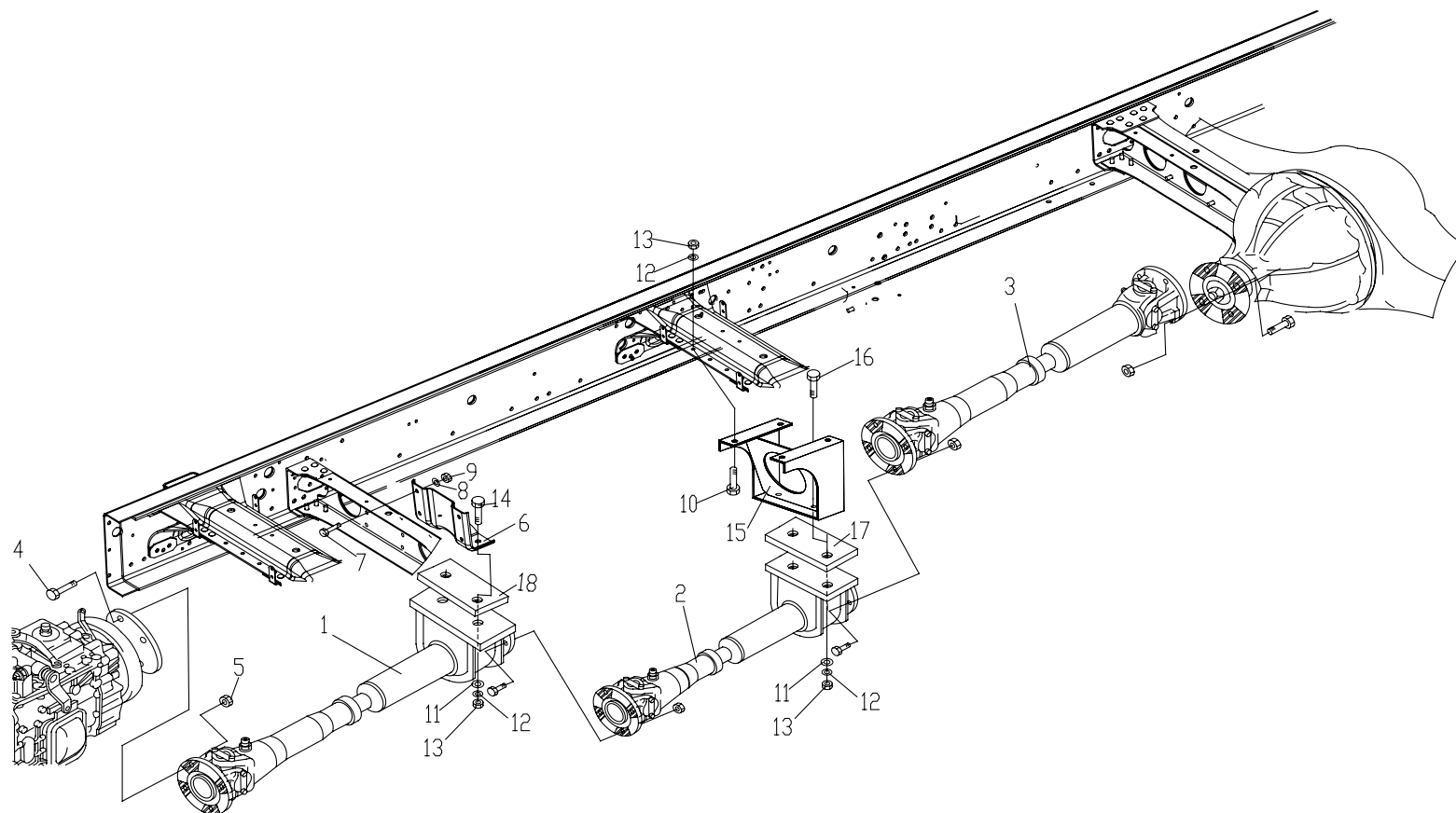
22-G



序号 No.	件号 Part No.	数量 Quantity	名称 Name	规格 Specification	适用产品 Products Applied	备注 Remark
3	2205A7DP-310	1	中桥传动轴 Intermediate Axle Propeller Shaft	13000N.m	WD615.50+9JS119(1576)+STEYR-6×4	轴距 1850+4000+1310 Wheel Base 1850+4000+1310
					L345 20+9JS119(1576)+STEYR-6×4	
	2205A9DP5-010	1	中桥传动轴 Intermediate Axle Propeller Shaft	13000N.m	WD615.50+9JS119(1576)+457-6×4	轴距 1850+4000+1310 Wheel Base 1850+4000+1310
					L345 20+9JS119(1576)+457-6×4	
2205A21D-060	1	中桥传动轴 Intermediate Axle Propeller Shaft	13000N.m	WD615.50+9JS119(1576)+STEYR-6×4 加宽 WD615.50+9JS119(1576)+STEYR-6×4 Widened	轴距 1850+4000+1350 Wheel Base 1850+4000+1350	
				L345 20+9JS119(1576)+STEYR-6×4 加宽 L345 20+9JS119(1576)+STEYR-6×4 Widened		
2205A9DZ1-010	1	中桥传动轴 Intermediate Axle Propeller Shaft	13000N.m	WD615.50+9JS119(1576)+457-6×4 加宽 WD615.50+9JS119(1576)+457-6×4 Widened	轴距 1850+4000+1350 Wheel Base 1850+4000+1350	
4	22AD-01111	16	六角螺栓 Hexagon Bolt			
5	Q334B14	16	六角锁止螺母 Hexagon Lock Nut			
6	22A21D4-06053	1	中间支撑支架 Middle Support Bracket		WD615.50+9JS119(1576)+STEYR-6×4	轴距 1850+4000+1310 Wheel Base 1850+4000+1310
					L345 20+9JS119(1576)+STEYR-6×4	
					L345 20+9JS119(1576)+457-6×4	
					L345 20+9JS119(1576)+STEYR-6×4 加宽 L345 20+9JS119(1576)+STEYR-6×4 Widened	轴距 1850+4000+1350 Wheel Base 1850+4000+1350

中桥传动轴装置图III / INTERMEDIATE AXLE PROPELLER SHAFT III

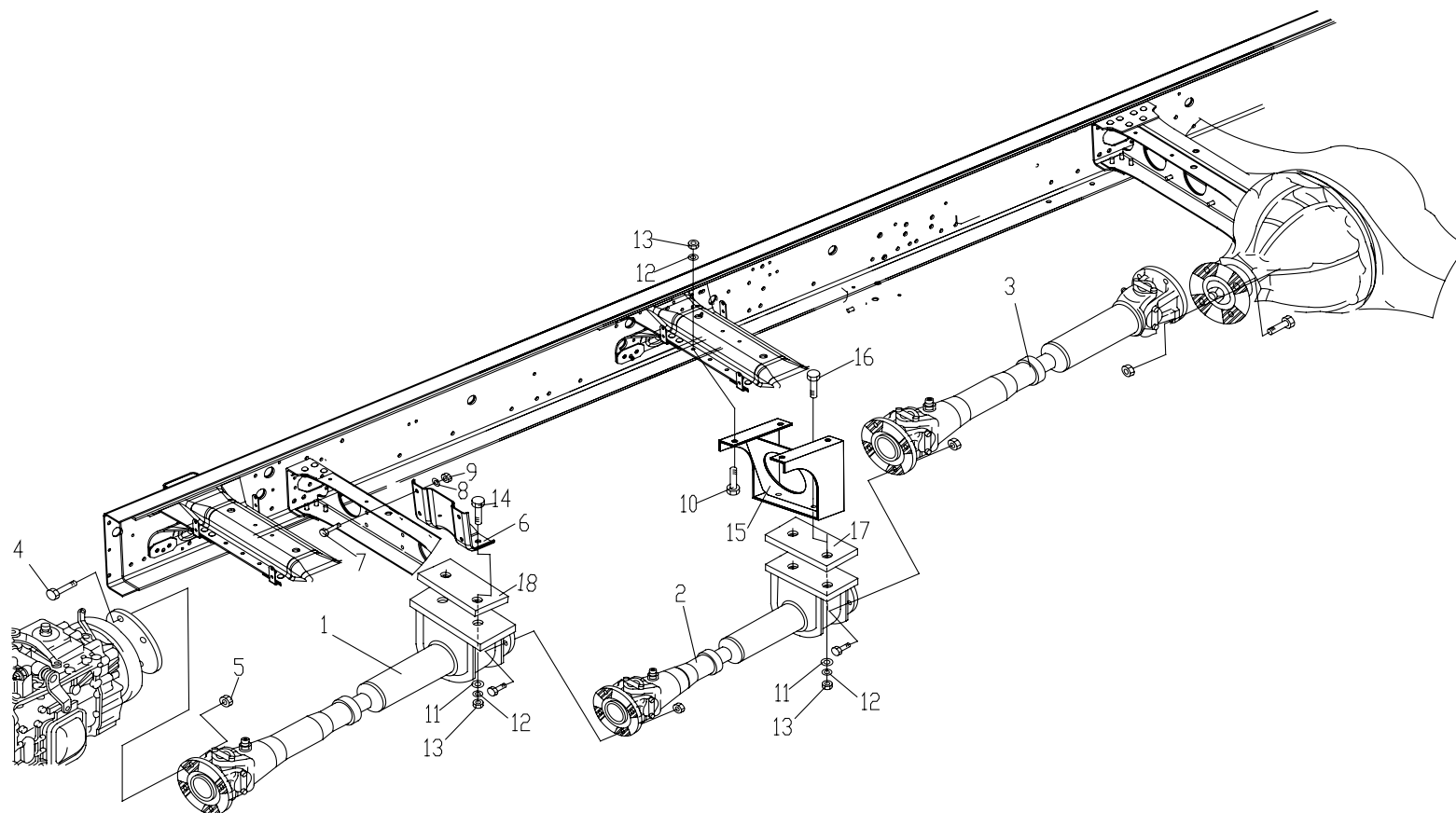
22-G



序号 No.	件号 Part No.	数量 Quantity	名称 Name	规格 Specification	适用产品 Products Applied	备注 Remark
6	28A4DP-01153	1	中间支撑支架 Middle Support Bracket		WD615.50+9JS119(1576)+457-6×4	轴距 1850+4000+1310 Wheel Base 1850+4000+1310
					WD615.50+9JS119(1576)+STEYR-6×4 加宽 WD615.50+9JS119(1576)+STEYR-6×4 Widened	轴距 1850+4000+1350 Wheel Base 1850+4000+1350
					WD615.50+9JS119(1576)+457-6×4 加宽 WD615.50+9JS119(1576)+457-6×4 Widened	轴距 1850+4000+1350 Wheel Base 1850+4000+1350
7	Q151B1235	4	六角螺栓 Hexagon Bolt			
8	Q40512	4	弹性垫圈 Spring Washer			
9	Q341B12	4	I型六角螺母 Hexagon Full Nut			
10	Q151B1435	4	六角螺栓 Hexagon Bolt			
11	Q40114	4	平垫圈 Plate Washer			
12	Q40514	8	弹性垫圈 Spring Washer			
13	Q341B14	8	I型六角螺母 Hexagon Full Nut			
14	Q151B1435	2	六角螺栓 Hexagon Bolt		WD615.50+9JS119(1576)+STEYR-6×4	轴距 1850+4000+1310 Wheel Base 1850+4000+1310
					WD615.50+9JS119(1576)+457-6×4 加宽 WD615.50+9JS119(1576)+457-6×4 Widened	轴距 1850+4000+1350 Wheel Base 1850+4000+1350

中桥传动轴装置图III / INTERMEDIATE AXLE PROPELLER SHAFT III

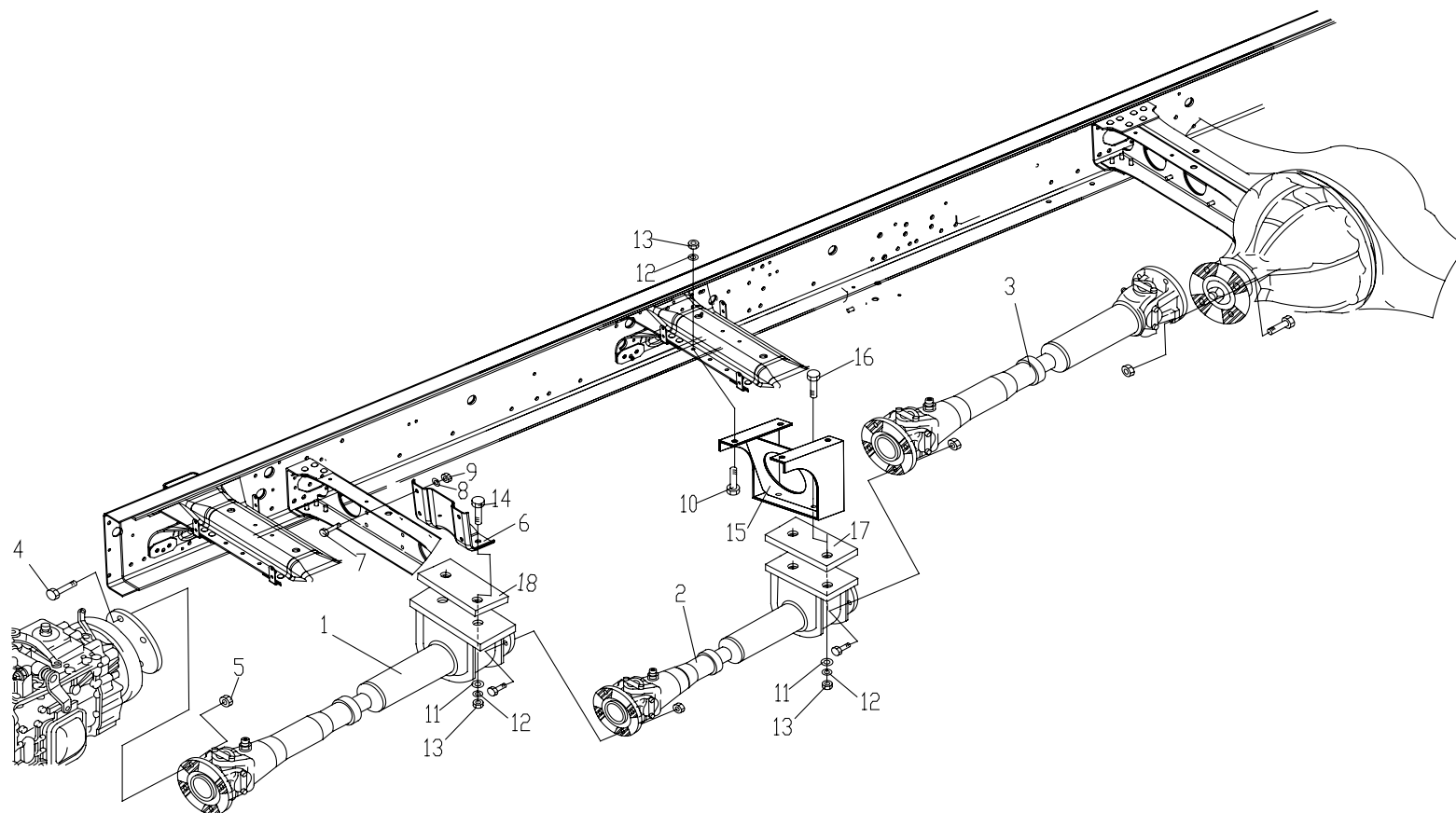
22-G



序号 No.	件号 Part No.	数量 Quantity	名称 Name	规格 Specification	适用产品 Products Applied	备注 Remark
14	Q151B1460	2	六角螺栓 Hexagon Bolt		L345 20+9JS119(1576)+STEYR-6×4	轴距 1850+4000+1310 Wheel Base 1850+4000+1310
	Q151B1455	2	六角螺栓 Hexagon Bolt		WD615.50+9JS119(1576)+457-6×4	轴距 1850+4000+1310 Wheel Base 1850+4000+1310
	Q151B1450	2	六角螺栓 Hexagon Bolt		L345 20+9JS119(1576)+457-6×4	轴距 1850+4000+1310 Wheel Base 1850+4000+1310
					WD615.50+9JS119(1576)+STEYR-6×4 加宽 WD615.50+9JS119(1576)+STEYR-6×4 Widened	轴距 1850+4000+1350 Wheel Base 1850+4000+1350
					L345 20+9JS119(1576)+STEYR-6×4 加宽 L345 20+9JS119(1576)+STEYR-6×4 Widened	轴距 1850+4000+1350 Wheel Base 1850+4000+1350
15	22A6DP7-06015	1	中间支撑支架 Middle Support Bracket		WD615.50+9JS119(1576)+STEYR-6×4	轴距 1850+4000+1310 Wheel Base 1850+4000+1310
					L345 20+9JS119(1576)+STEYR-6×4	
					L345 20+9JS119(1576)+457-6×4	
					L345 20+9JS119(1576)+STEYR-6×4 加宽 L345 20+9JS119(1576)+STEYR-6×4 Widened	轴距 1850+4000+1350 Wheel Base 1850+4000+1350
	22A6DP3-06015	1	中间支撑支架 Middle Support Bracket		WD615.50+9JS119(1576)+457-6×4	轴距 1850+4000+1310 Wheel Base 1850+4000+1310
	22A6DP5-06015	1	中间支撑支架 Middle Support Bracket		WD615.50+9JS119(1576)+STEYR-6×4 加宽 WD615.50+9JS119(1576)+STEYR-6×4 Widened	轴距 1850+4000+1350 Wheel Base 1850+4000+1350
WD615.50+9JS119(1576)+457-6×4 加宽 WD615.50+9JS119(1576)+457-6×4 Widened						

中桥传动轴装置图III / INTERMEDIATE AXLE PROPELLER SHAFT III

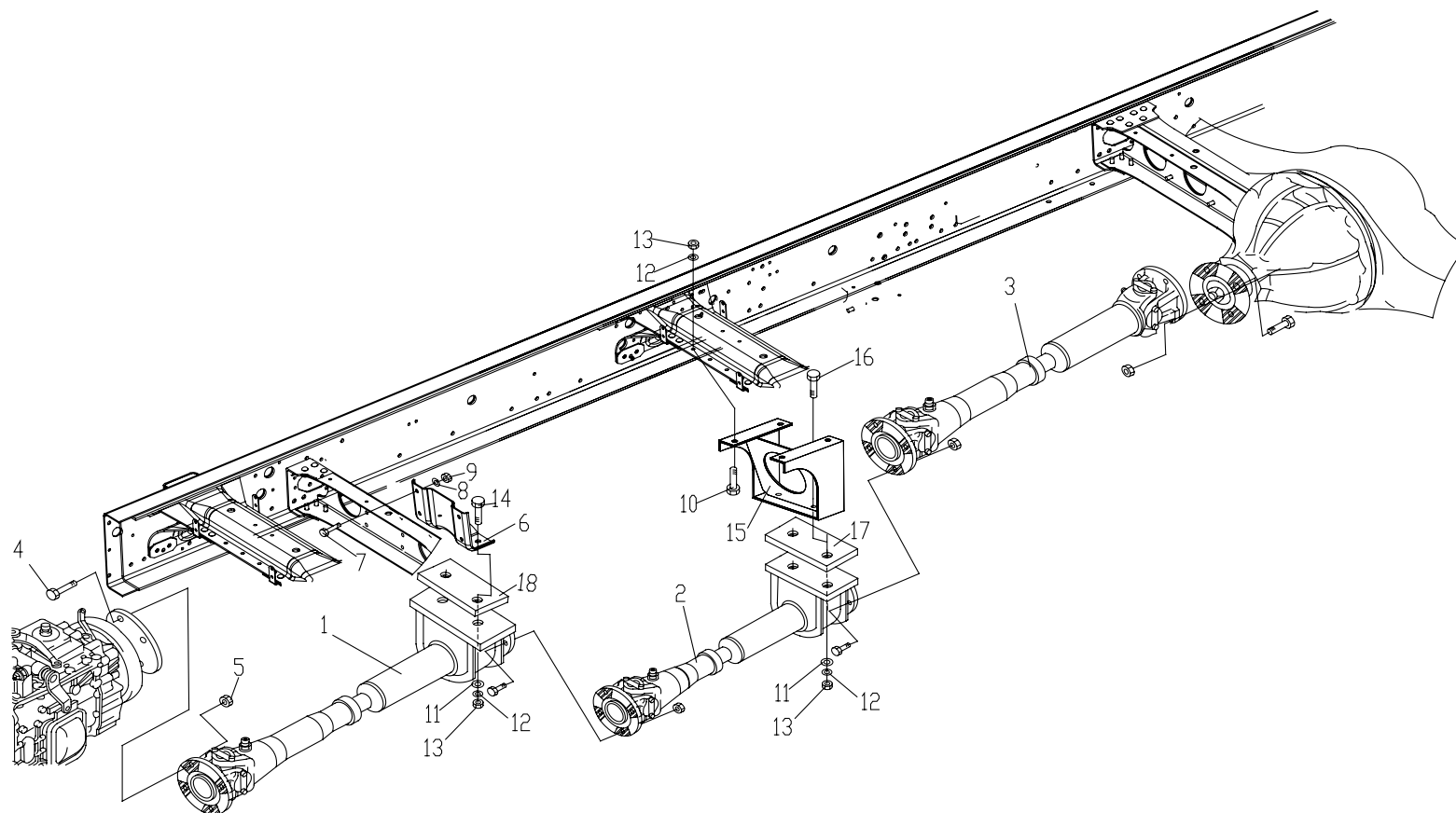
22-G



序号 No.	件号 Part No.	数量 Quantity	名称 Name	规格 Specification	适用产品 Products Applied	备注 Remark
16	Q151B1455	2	六角螺栓 Hexagon Bolt		L345 20+9JS119(1576)+STEYR-6×4	轴距 1850+4000+1310 Wheel Base 1850+4000+1310
	Q151B1445	2	六角螺栓 Hexagon Bolt		L345 20+9JS119(1576)+457-6×4	轴距 1850+4000+1310 Wheel Base 1850+4000+1310
	Q151B1460	2	六角螺栓 Hexagon Bolt		WD615.50+9JS119(1576)+STEYR-6×4 加宽 WD615.50+9JS119(1576)+STEYR-6×4 Widened	轴距 1850+4000+1350 Wheel Base 1850+4000+1350
	Q151B1435	2	六角螺栓 Hexagon Bolt		WD615.50+9JS119(1576)+457-6×4	轴距 1850+4000+1310 Wheel Base 1850+4000+1350
					WD615.50+9JS119(1576)+STEYR-6×4	
	Q151B1440	2	六角螺栓 Hexagon Bolt		L345 20+9JS119(1576)+STEYR-6×4 加宽 L345 20+9JS119(1576)+STEYR-6×4 Widened	轴距 1850+4000+1350 Wheel Base 1850+4000+1350
17	22A6DP7-06017	1	垫板 Mat Plate		WD615.50+9JS119(1576)+457-6×4 加宽 WD615.50+9JS119(1576)+457-6×4 Widened	轴距 1850+4000+1350 Wheel Base 1850+4000+1350
	22A9DP3-06011	1	垫板 Mat Plate		L345 20+9JS119(1576)+457-6×4	轴距 1850+4000+1310 Wheel Base 1850+4000+1310
	22A6DP8-06019	1	垫板 Mat Plate		WD615.50+9JS119(1576)+STEYR-6×4 加宽 WD615.50+9JS119(1576)+STEYR-6×4 Widened	轴距 1850+4000+1350 Wheel Base 1850+4000+1350
	22A6DP7-06017	1	垫板 Mat Plate		WD615.50+9JS119(1576)+457-6×4 加宽 WD615.50+9JS119(1576)+457-6×4 Widened	轴距 1850+4000+1350 Wheel Base 1850+4000+1350

中桥传动轴装置图III / INTERMEDIATE AXLE PROPELLER SHAFT III

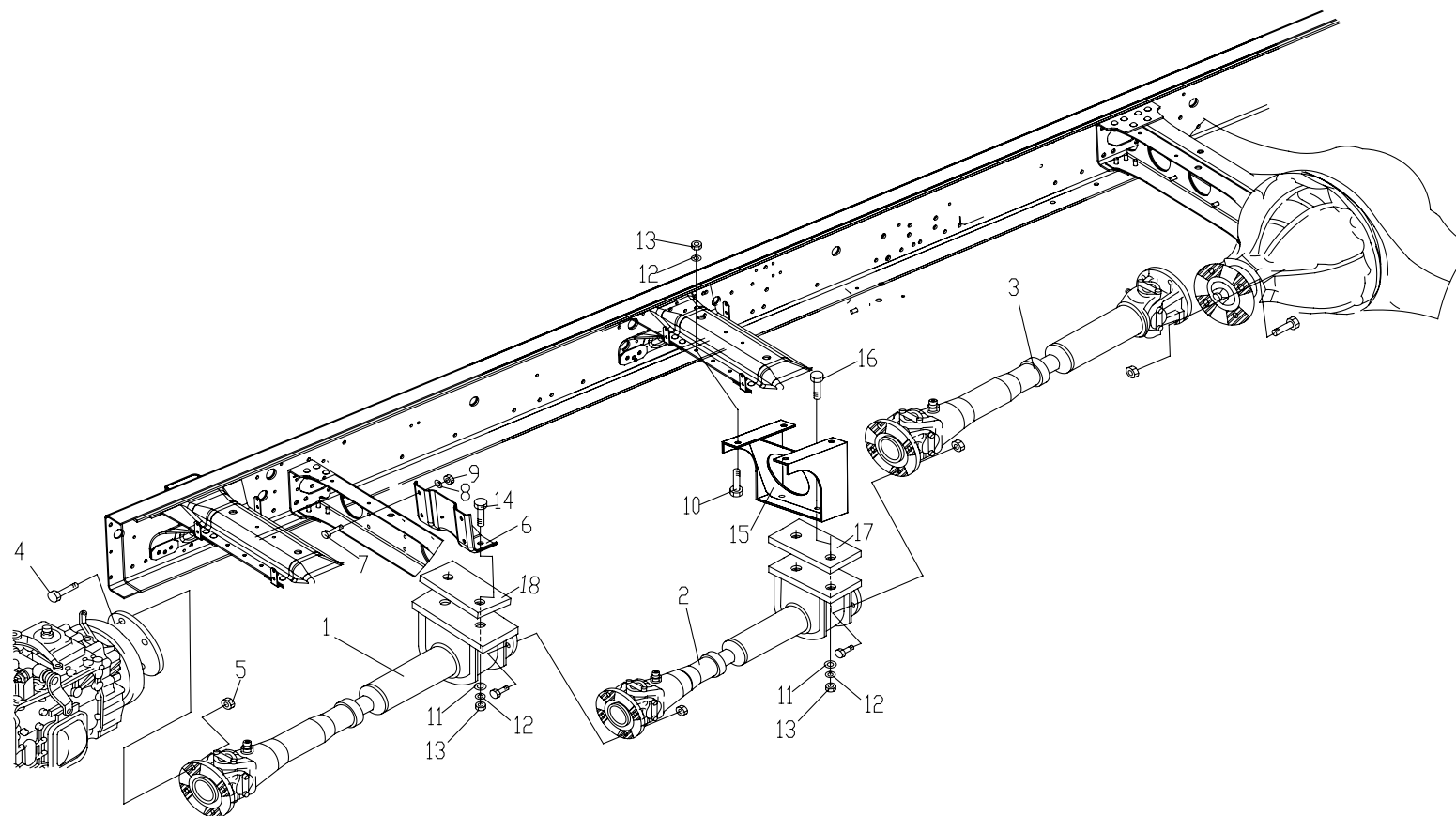
22-G



序号 No.	件号 Part No.	数量 Quantity	名称 Name	规格 Specification	适用产品 Products Applied	备注 Remark
18	22A6DP8-06019	1	垫板 Mat Plate		L345 20+9JS119(1576)+STEYR-6×4	轴距 1850+4000+1310 Wheel Base 1850+4000+1310
	22A9DP7-06019	1	垫板 Mat Plate		WD615.50+9JS119(1576)+457-6×4	轴距 1850+4000+1310 Wheel Base 1850+4000+1310
	22A9DP3-06012	1	垫板 Mat Plate		L345 20+9JS119(1576)+457-6×4	轴距 1850+4000+1310 Wheel Base 1850+4000+1310
	22A6DP8-06017	1	垫板 Mat Plate		WD615.50+9JS119(1576)+STEYR-6×4 加宽 WD615.50+9JS119(1576)+STEYR-6×4 Widened L345 20+9JS119(1576)+STEYR-6×4 加宽 L345 20+9JS119(1576)+STEYR-6×4 Widened	轴距 1850+4000+1350 Wheel Base 1850+4000+1350

中桥传动轴装置图III / INTERMEDIATE AXLE PROPELLER SHAFT III

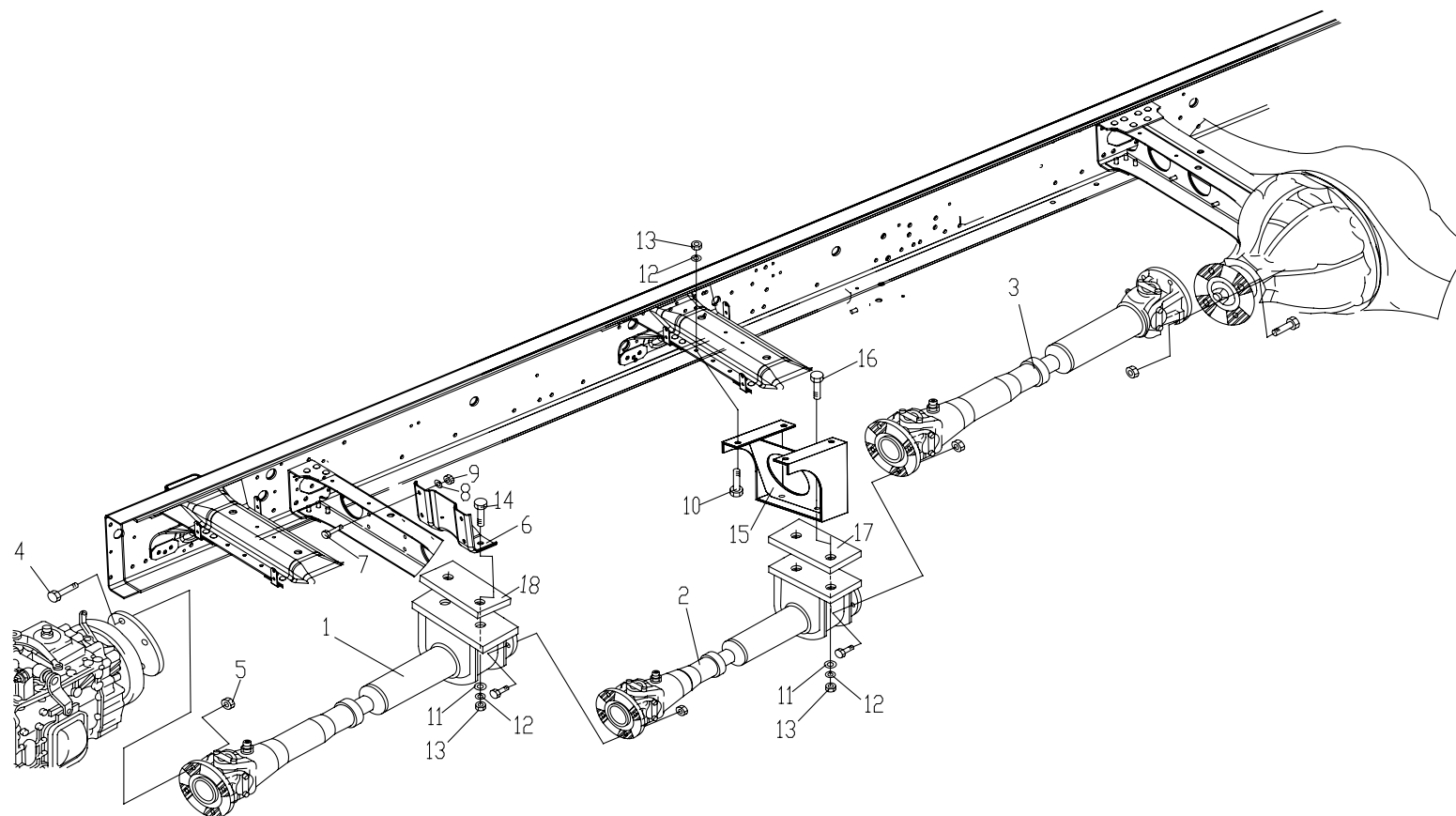
22-G



序号 No.	件号 Part No.	数量 Quantity	名称 Name	规格 Specification	适用产品 Products Applied	备注 Remark
1	2206A19D-010	1	中桥中间传动轴 Intermediate Axle Middle Propeller Shaft	15000N.m	WD615.38+12JS160T(2035)+STEYR-6×4	轴距 1850+4605+1310 Wheel Base 1850+4605+1310
					WD615.38+12JS160T(2035)+STEYR-6×4 加宽 WD615.38+12JS160T(2035)+STEYR-6×4 Widened	轴距 1850+4605+1350 Wheel Base 1850+4605+1350
					WD615.38+12JS160T(2035)+457-6×4 加宽 WD615.38+12JS160T(2035)+457-6×4 Widened	轴距 1850+4605+1350 Wheel Base 1850+4605+1350
2	2206A46D-020	1	中桥中间传动轴 Intermediate Axle Middle Propeller Shaft	15000N.m	WD615.38+12JS160T(2035)+STEYR-6×4	轴距 1850+4605+1310 Wheel Base 1850+4605+1310
					WD615.38+12JS160T(2035)+STEYR-6×4 加宽 WD615.38+12JS160T(2035)+STEYR-6×4 Widened	轴距 1850+4605+1350 Wheel Base 1850+4605+1350
					WD615.38+12JS160T(2035)+457-6×4 加宽 WD615.38+12JS160T(2035)+457-6×4 Widened	轴距 1850+4605+1350 Wheel Base 1850+4605+1350
3	2201A22DQ1-810	1	中桥传动轴 Intermediate Axle Propeller Shaft	15000N.m	WD615.38+12JS160T(2035)+STEYR-6×4	轴距 1850+4605+1310 Wheel Base 1850+4605+1310
	2205A16DZ-010	1	中桥传动轴 Intermediate Axle Propeller Shaft	15000N.m	WD615.38+12JS160T(2035)+STEYR-6×4 加宽 WD615.38+12JS160T(2035)+STEYR-6×4 Widened	轴距 1850+4605+1350 Wheel Base 1850+4605+1350
	2205A18DQ-420	1	中桥传动轴 Intermediate Axle Propeller Shaft	15000N.m	WD615.38+12JS160T(2035)+STEYR-6×4 加宽 WD615.38+12JS160T(2035)+STEYR-6×4 Widened	轴距 1850+4605+1350 Wheel Base 1850+4605+1350
4	22AD-01111	16	六角螺栓 Hexagon Bolt			
5	Q334B14	16	六角锁止螺母 Hexagon Lock Nut			

中桥传动轴装置图III / INTERMEDIATE AXLE PROPELLER SHAFT III

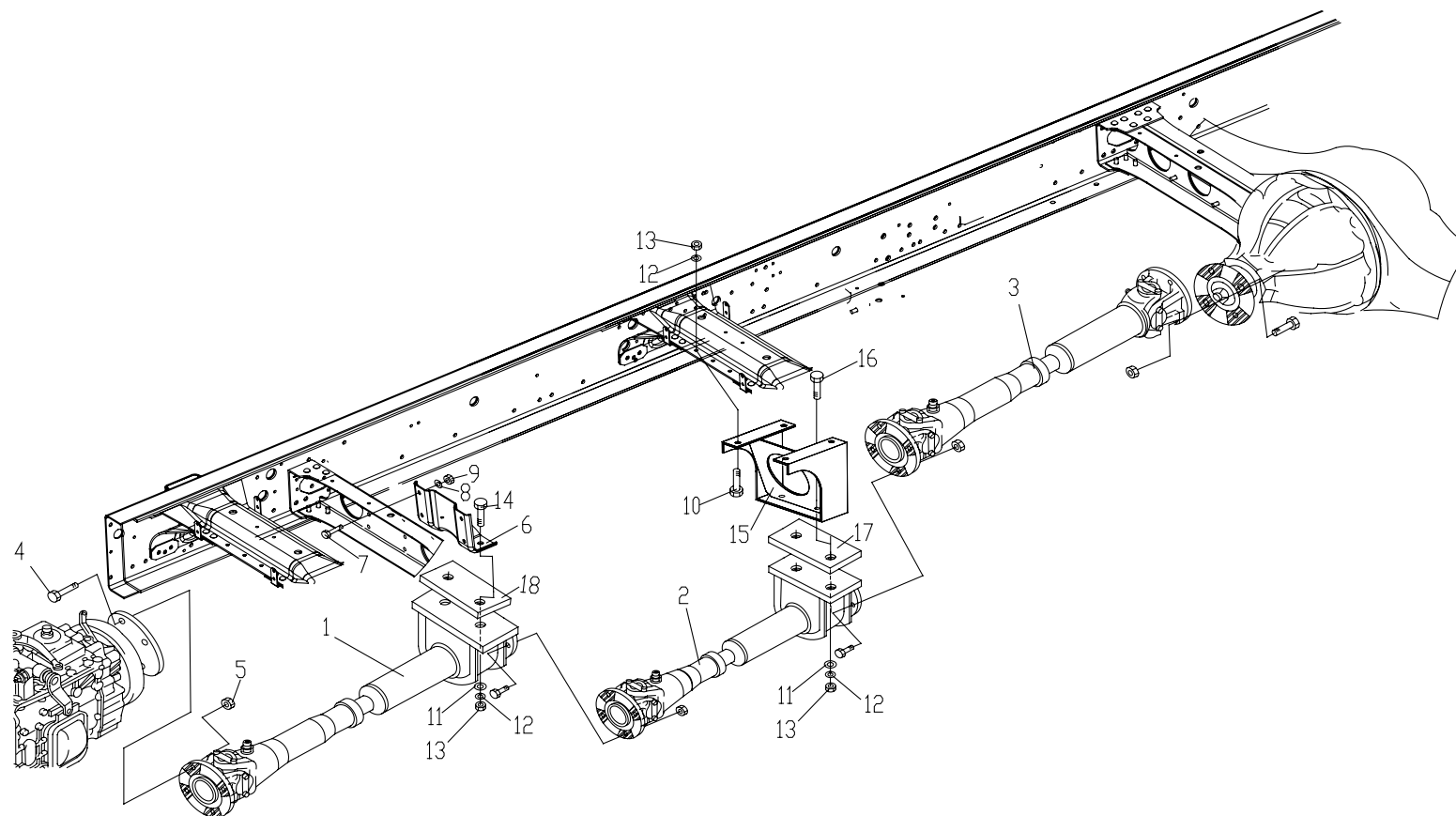
22-G



序号 No.	件号 Part No.	数量 Quantity	名称 Name	规格 Specification	适用产品 Products Applied	备注 Remark
6	28A4DP-01153	1	中间支撑支架 Middle Support Bracket		WD615.38+12JS160T(2035)+STEYR-6×4	轴距 1850+4605+1310 Wheel Base 1850+4605+1310
	22A6DP3-06053	1	中间支撑支架 Middle Support Bracket		WD615.38+12JS160T(2035)+STEYR-6×4 加宽 WD615.38+12JS160T(2035)+STEYR-6×4 Widened	轴距 1850+4605+1350 Wheel Base 1850+4605+1350
					WD615.38+12JS160T(2035)+457-6×4 加宽 WD615.38+12JS160T(2035)+457-6×4 Widened	
7	Q151B1235	4	六角螺栓 Hexagon Bolt			
8	Q40512	4	弹性垫圈 Spring Washer			
9	Q341B12	4	I型六角螺母 Hexagon Full Nut			
10	Q151B1435	4	六角螺栓 Hexagon Bolt			
11	Q40114	4	平垫圈 Plate Washer			
12	Q40514	8	弹性垫圈 Spring Washer			
13	Q341B14	8	I型六角螺母 Hexagon Full Nut			
14	Q151B1440	2	六角螺栓 Hexagon Bolt		WD615.38+12JS160T(2035)+STEYR-6×4	轴距 1850+4605+1310 Wheel Base 1850+4605+1310
	Q151B1435	2	六角螺栓 Hexagon Bolt		WD615.38+12JS160T(2035)+STEYR-6×4 加宽 WD615.38+12JS160T(2035)+STEYR-6×4 Widened	轴距 1850+4605+1350 Wheel Base 1850+4605+1350
					WD615.38+12JS160T(2035)+457-6×4 加宽 WD615.38+12JS160T(2035)+457-6×4 Widened	

中桥传动轴装置图III / INTERMEDIATE AXLE PROPELLER SHAFT III

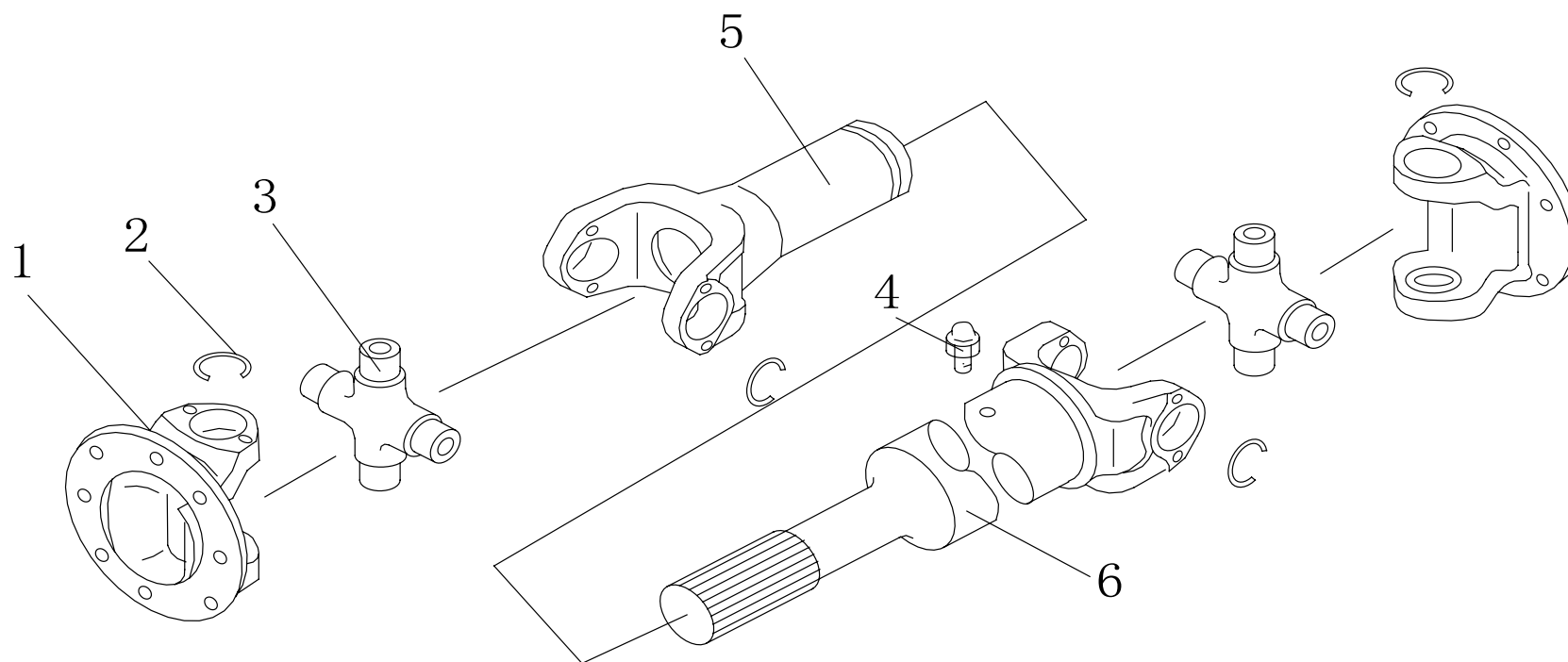
22-G



序号 No.	件号 Part No.	数量 Quantity	名称 Name	规格 Specification	适用产品 Products Applied	备注 Remark
15	22A6DP7-06015	1	中间支撑支架 Middle Support Bracket		WD615.38+12JS160T(2035)+STEYR-6×4	轴距 1850+4605+1310 Wheel Base 1850+4605+1310
	22A6DP3-06015	1	中间支撑支架 Middle Support Bracket		WD615.38+12JS160T(2035)+STEYR-6×4 加宽 WD615.38+12JS160T(2035)+STEYR-6×4 Widened	轴距 1850+4605+1350 Wheel Base 1850+4605+1350
	22A6DP5-06015	1	中间支撑支架 Middle Support Bracket		WD615.38+12JS160T(2035)+457-6×4 加宽 WD615.38+12JS160T(2035)+457-6×4 Widened	轴距 1850+4605+1350 Wheel Base 1850+4605+1350
16	Q151B1445	2	六角螺栓 Hexagon Bolt		WD615.38+12JS160T(2035)+STEYR-6×4	轴距 1850+4605+1310 Wheel Base 1850+4605+1310
					WD615.38+12JS160T(2035)+457-6×4 加宽 WD615.38+12JS160T(2035)+457-6×4 Widened	轴距 1850+4605+1350 Wheel Base 1850+4605+1350
	Q151B1435	2	六角螺栓 Hexagon Bolt		WD615.38+12JS160T(2035)+STEYR-6×4 加宽 WD615.38+12JS160T(2035)+STEYR-6×4 Widened	轴距 1850+4605+1350 Wheel Base 1850+4605+1350
17	22A9DP3-06011	1	垫板 Mat Plate		WD615.38+12JS160T(2035)+STEYR-6×4	轴距 1850+4605+1310 Wheel Base 1850+4605+1310
	22A6DP3-06017	1	垫板 Mat Plate		WD615.38+12JS160T(2035)+457-6×4 加宽 WD615.38+12JS160T(2035)+457-6×4 Widened	轴距 1850+4605+1350 Wheel Base 1850+4605+1350
18	22A6DP7-06017	1	垫板 Mat Plate		WD615.38+12JS160T(2035)+STEYR-6×4	轴距 1850+4605+1310 Wheel Base 1850+4605+1310

后桥传动轴内部结构装置图 I
REAR AXLE PROPELLER SHAFT INNER STRUCTURE I

22-H



传动轴系统 / PROPELLER SHAFT SYSTEM

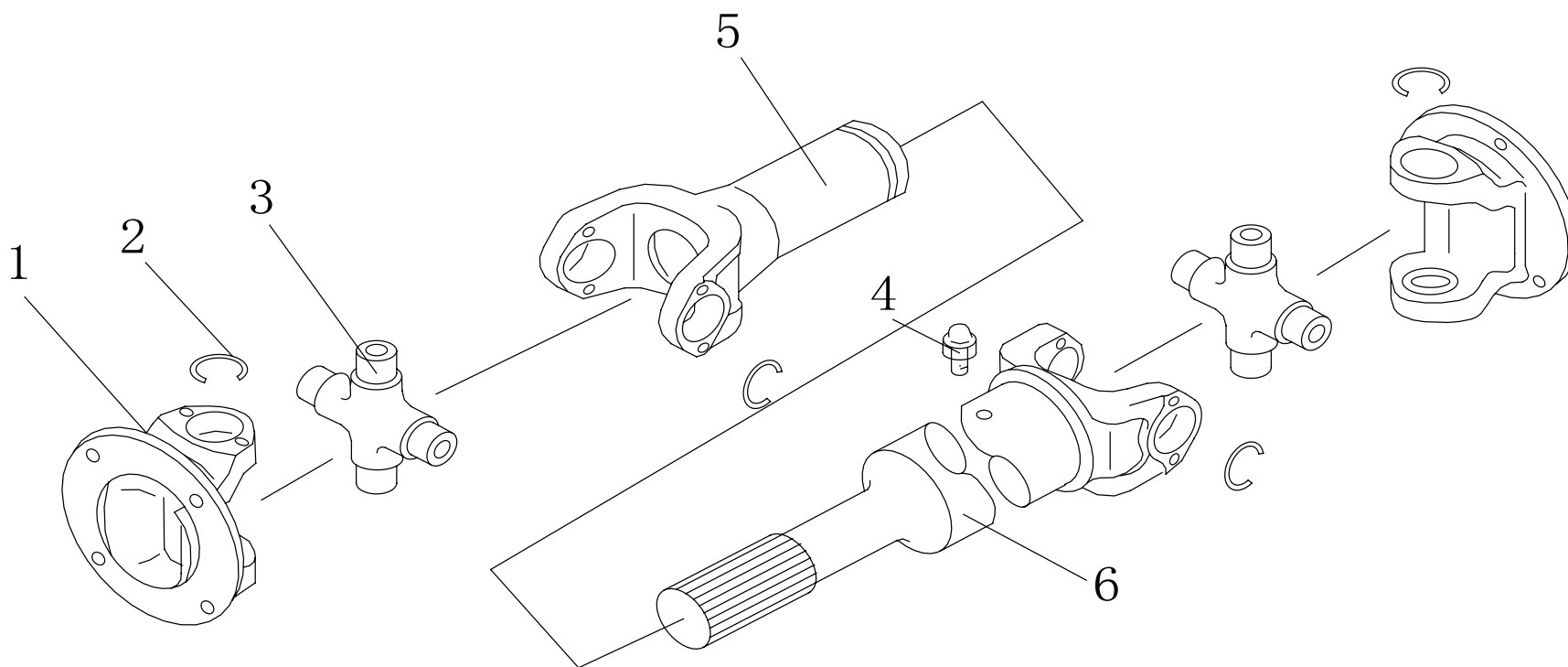
22-114

序号 No.	件号 Part No.	数量 Quantity	名称 Name	规格 Specification	适用产品 Products Applied	备注 Remark
1	1491.707-2201062	2	突缘叉 Flange Yoke		2201AD-410	
2	1491.707-2201063	8	卡簧 Snap Ring			
3	1491.707-2201080	2	万向节总成 Universal Joint Assembly			
4	Q70006	1	油嘴 Nipple			
5	1491.707-2201016	1	花键毂、轴管、万向节叉焊接分总成 Spline Hub,Axle Tube,Universal Joint Yoke Welding Sub Assembly			
6	2201AD-410-01	1	轴叉、护套管焊接分总成 Shaft Yoke,Boot Pipe Welding Sub Assembly		2201AD-410	

后桥传动轴内部结构装置图 II

REAR AXLE PROPELLER SHAFT INNER STRUCTURE II

22-1



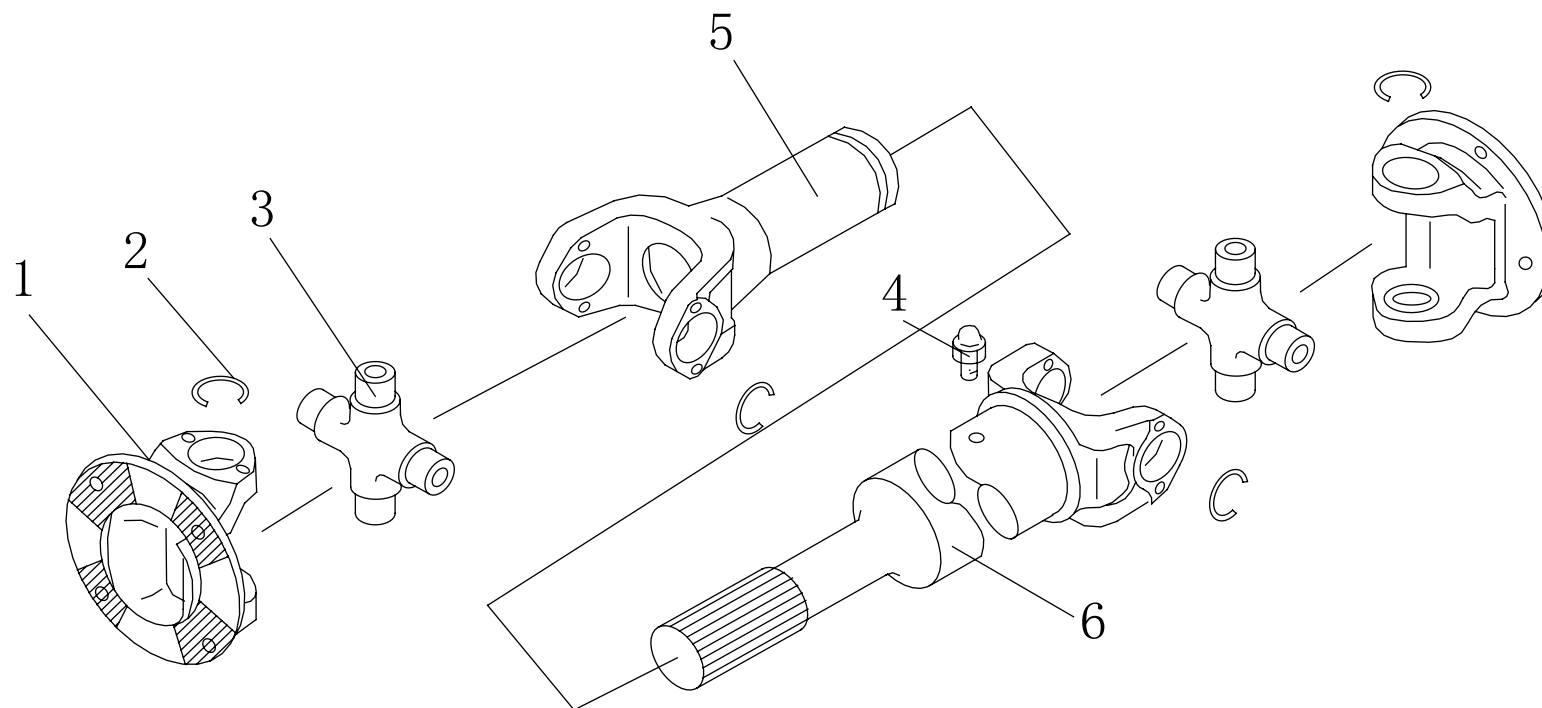
传动轴系统 / PROPELLER SHAFT SYSTEM

22-116

序号 No.	件号 Part No.	数量 Quantity	名称 Name	规格 Specification	适用产品 Products Applied	备注 Remark
1	2201AD-010.1	2	突缘叉 Flange Yoke		2201AD-010	
2	1491.707-2201063	8	卡簧 Snap Ring			
3	1491.707-2201080	2	万向节总成 Universal Joint Assembly			
4	Q70006	1	油嘴 Nipple			
5	1491.707-2201016	1	花键毂、轴管、万向节叉焊接分总成 Spline Hub,Axle Tube,Universal Joint Yoke Welding Sub Assembly			
6	2201AD-010-01	1	轴叉、护套管焊接分总成 Shaft Yoke,Boot Pipe Welding Sub Assembly		2201AD-010	

中桥传动轴内部结构装置图 I
INTERMEDIATE AXLE PROPELLER SHAFT INNER STRUCTURE I

22-J



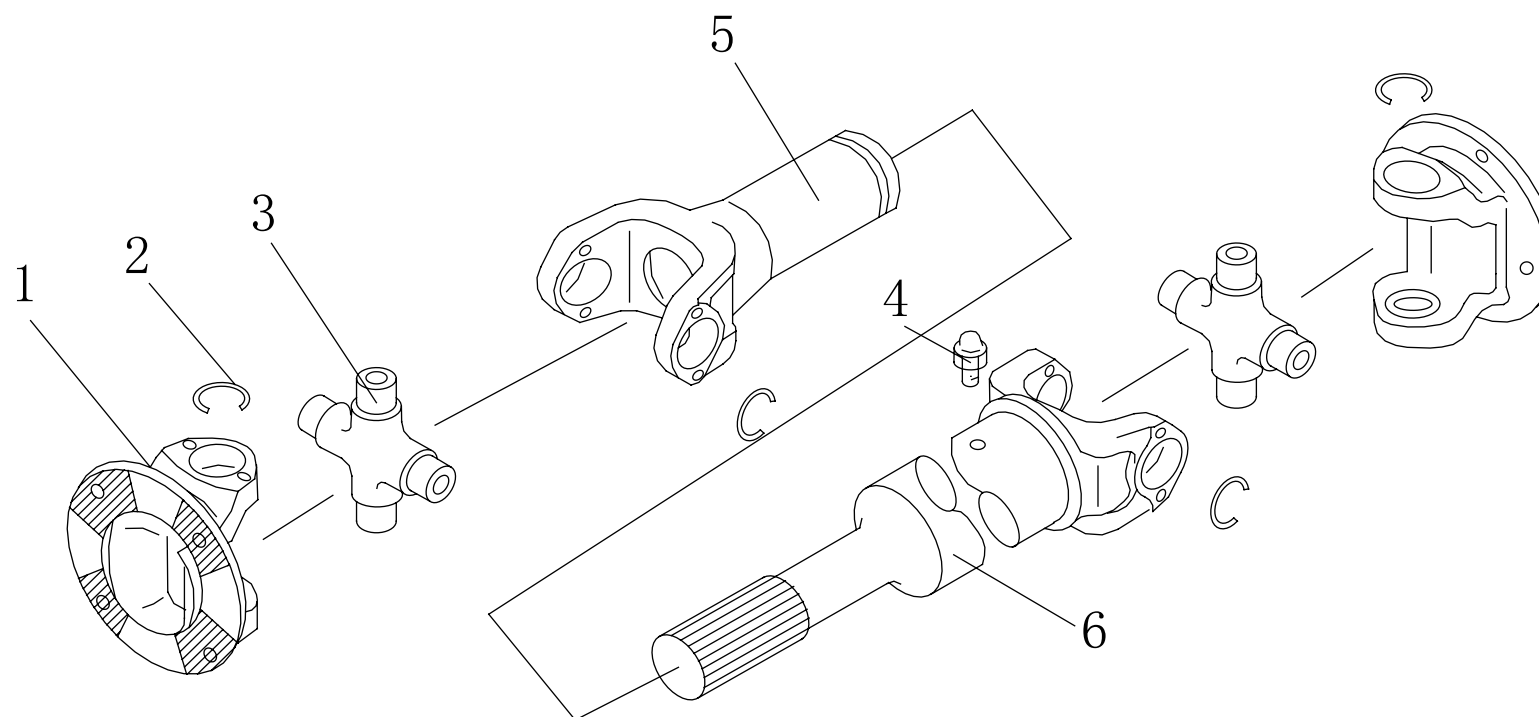
传动轴系统 / PROPELLER SHAFT SYSTEM

22-118

序号 No.	件号 Part No.	数量 Quantity	名称 Name	规格 Specification	适用产品 Products Applied	备注 Remark
1	1491.707-2205062-B	2	端面齿突缘叉 Contrate Gear Flange Yoke			
2	1491.707-2205063	8	卡簧 Snap Ring			
3	1491.707-2205080	2	万向节总成 Universal Joint Assembly			
4	Q70006	1	油嘴 Nipple			
5	1491.707-2205016	1	花键毂、轴管、万向节叉焊接分总成 Spline Hub,Axle Tube,Universal Joint Yoke Welding Sub Assembly			
6	2205A10DQ-010-01	1	轴叉、护套管焊接分总成 Shaft Yoke,Boot Pipe Welding Sub Assembly		2205A10DQ-010	
	2205A21DQ-410-01	1	轴叉、护套管焊接分总成 Shaft Yoke,Boot Pipe Welding Sub Assembly		2205A21DQ-410	
	2205A2DQ-010-01	1	轴叉、护套管焊接分总成 Shaft Yoke,Boot Pipe Welding Sub Assembly		2205A2DQ-010	
	2205A9DZ1-010-01	1	轴叉、护套管焊接分总成 Shaft Yoke,Boot Pipe Welding Sub Assembly		2205A9DZ1-010	
	2205A2DZ-410-01	1	轴叉、护套管焊接分总成 Shaft Yoke,Boot Pipe Welding Sub Assembly		2205A2DZ-410	
	2205A21DQ-420-01	1	轴叉、护套管焊接分总成 Shaft Yoke,Boot Pipe Welding Sub Assembly		2205A21DQ-420	
	2205A39DQ-010-01	1	轴叉、护套管焊接分总成 Shaft Yoke,Boot Pipe Welding Sub Assembly		2205A39DQ-010	
	2205A6DZ-010-01	1	轴叉、护套管焊接分总成 Shaft Yoke,Boot Pipe Welding Sub Assembly		2205A6DZ-010	

中桥传动轴内部结构装置图 II
INTERMEDIATE AXLE PROPELLER SHAFT INNER STRUCTURE II

22-K



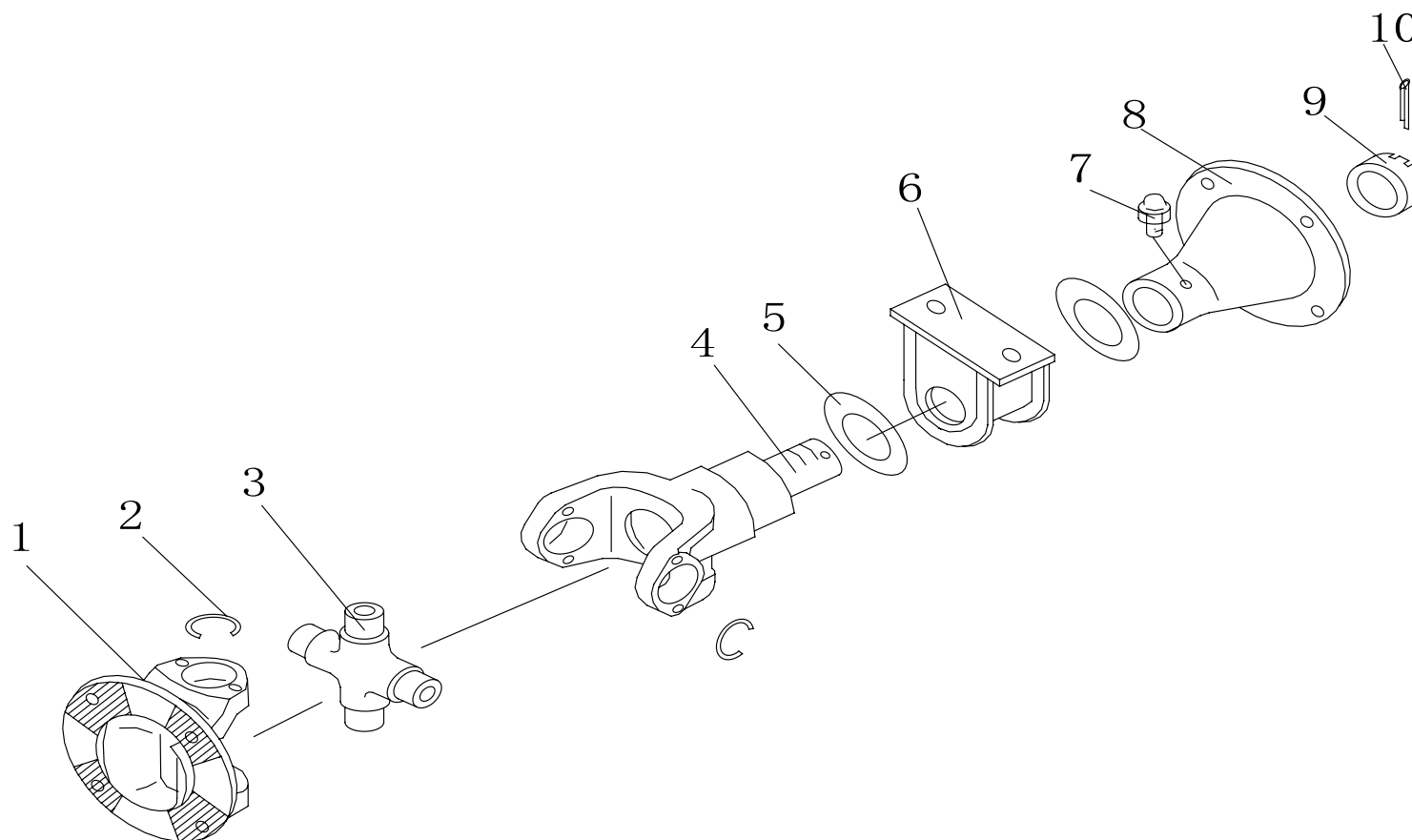
传动轴系统 / PROPELLER SHAFT SYSTEM

22-120

序号 No.	件号 Part No.	数量 Quantity	名称 Name	规格 Specification	适用产品 Products Applied	备注 Remark
1	395 411 08 11-B	2	端面齿突缘叉 Contrate Gear Flange Yoke			
2	006 994 29 41	8	卡簧 Snap Ring			
3	HWJ-3276-00	2	万向节总成 Universal Joint Assembly			
4	Q70006	1	油嘴 Nippe			
5	505 410 01 02-01	1	花键毂、轴管、万向节叉焊接分总成 Spline Hub,Axle Tube,Universal Joint Yoke Welding Sub Assembly			
6	2205A19DQ-410-01	1	轴叉、护套管焊接分总成 Shaft Yoke,Boot Pipe Welding Sub Assembly		2205A19DQ-410	
	2205A18DQ-420-01	1	轴叉、护套管焊接分总成 Shaft Yoke,Boot Pipe Welding Sub Assembly		2205A18DQ-420	
	2205A5DQ-010-01	1	轴叉、护套管焊接分总成 Shaft Yoke,Boot Pipe Welding Sub Assembly		2205A5DQ-010	
	2205A18DQ-010-01	1	轴叉、护套管焊接分总成 Shaft Yoke,Boot Pipe Welding Sub Assembly		2205A18DQ-010	
	2205A5DZ-410-01	1	轴叉、护套管焊接分总成 Shaft Yoke,Boot Pipe Welding Sub Assembly		2205A5DZ-410	
	2205AH18DQ-410-01	1	轴叉、护套管焊接分总成 Shaft Yoke,Boot Pipe Welding Sub Assembly		2205AH18DQ-410	
	2205A23DQ-420-01	1	轴叉、护套管焊接分总成 Shaft Yoke,Boot Pipe Welding Sub Assembly		2205A23DQ-420	
	2205AH18DQ-010-01	1	轴叉、护套管焊接分总成 Shaft Yoke,Boot Pipe Welding Sub Assembly		2205AH18DQ-010	

中间传动轴内部结构装置图 I
MIDDLE PROPELLER SHAFT INNER STRUCTURE I

22-L



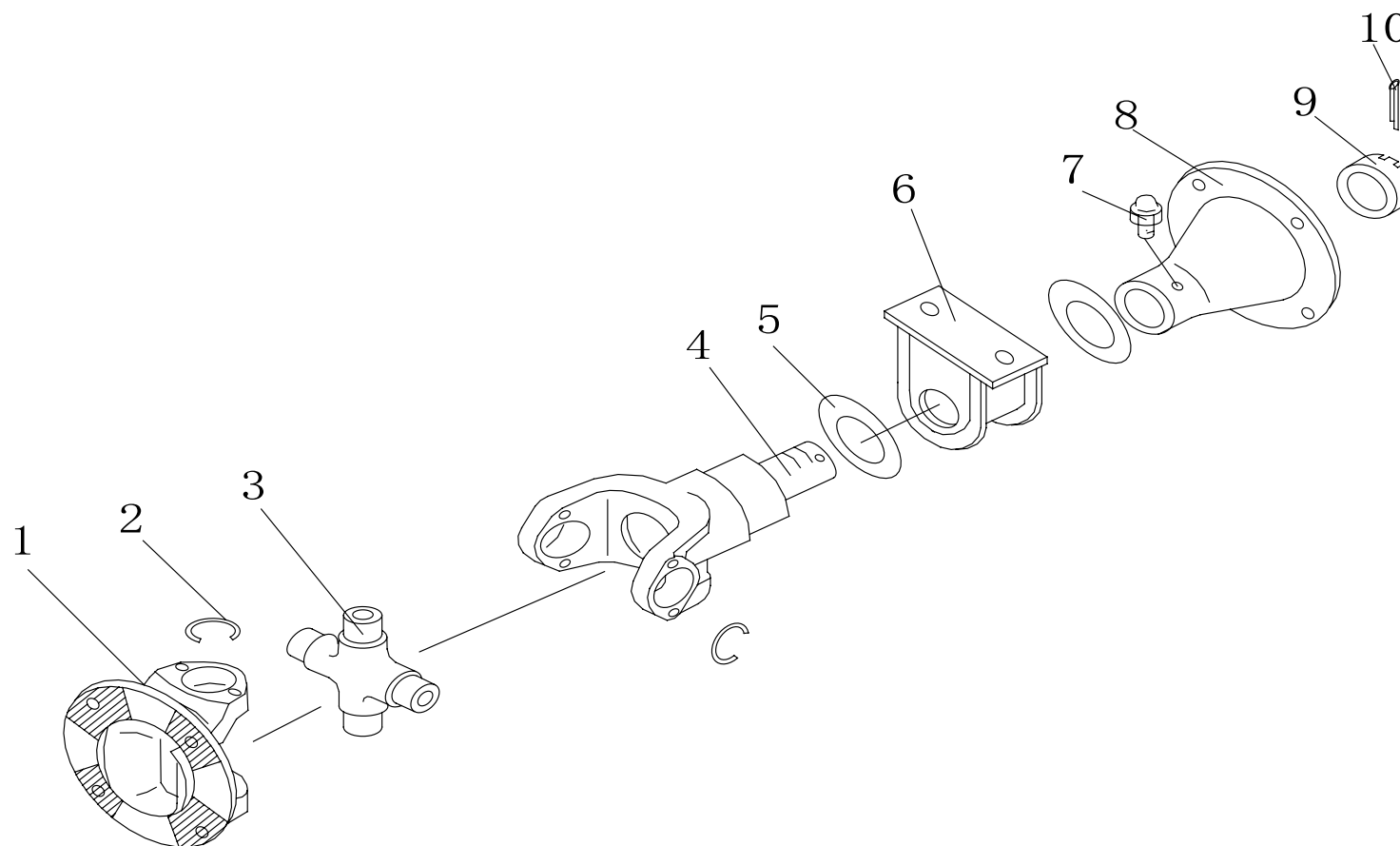
传动轴系统 / PROPELLER SHAFT SYSTEM

22-122

序号 No.	件号 Part No.	数量 Quantity	名称 Name	规格 Specification	适用产品 Products Applied	备注 Remark
1	1491.707-2205062-B	1	端面齿突缘叉 Contrate Gear Flange Yoke			
2	1491.707-2205063	4	卡簧 Snap Ring			
3	1491.707-2205080	1	万向节总成 Universal Joint Assembly			
4	2206A6DP5-320-01	1	万向节叉 轴管 中间轴头焊接分总成 Universal Joint York,Axle Tube,Middle Axle Joint Welding Sub Assembly		2206A6DP5-320	
	2206A9DP5-310-01	1	万向节叉 轴管 中间轴头焊接分总成 Universal Joint York,Axle Tube,Middle Axle Joint Welding Sub Assembly		2206A9DP5-310	
	2206A6DP5-310-01	1	万向节叉 轴管 中间轴头焊接分总成 Universal Joint York,Axle Tube,Middle Axle Joint Welding Sub Assembly		2206A6DP5-310	
	2206A20DP3-410-01	1	万向节叉 轴管 中间轴头焊接分总成 Universal Joint York,Axle Tube,Middle Axle Joint Welding Sub Assembly		2206A20DP3-410	
	2206A7DP1-310-01	1	万向节叉 轴管 中间轴头焊接分总成 Universal Joint York,Axle Tube,Middle Axle Joint Welding Sub Assembly		2206A7DP1-310	
5	991.1431.0100-2204054	2	防尘罩 Dust Cover			
6	991.1431.0100-2204030-A	1	中间支撑总成 Middle Support Assembly			
7	Q70006	1	油嘴 Nipple			
8	991.1431.0100-2204051-B	1	端面齿突缘 Contrate Gear Flange			
9	991.1431.0100-2204052	1	开口螺母 Cotter Nut			
10	6X70	1	销子 Pin			

中间传动轴内部结构装置图 II
MIDDLE PROPELLER SHAFT INNER STRUCTURE II

22-M



传动轴系统 / PROPELLER SHAFT SYSTEM

22-124

序号 No.	件号 Part No.	数量 Quantity	名称 Name	规格 Specification	适用产品 Products Applied	备注 Remark
1	395 411 08 11-B	1	端面齿突缘叉 Contrate Gear Flange Yoke			
2	006 994 29 41	4	卡簧 Snap Ring			
3	HWJ-3276-00	1	万向节总成 Universal Joint Assembly			
4	2206A5DP1-010-01	1	万向节叉 轴管 中间轴头焊接分总成 Universal Joint York,Axle Tube,Middle Axle Joint Welding Sub Assembly		2206A5DP1-010	
	2206A19D-010-01	1	万向节叉 轴管 中间轴头焊接分总成 Universal Joint York,Axle Tube,Middle Axle Joint Welding Sub Assembly		2206A19D-010	
	2206A46D-020-01	1	万向节叉 轴管 中间轴头焊接分总成 Universal Joint York,Axle Tube,Middle Axle Joint Welding Sub Assembly		2206A46D-020	
5	991.1431.0100-2204054	2	防尘罩 Dust Cover			
6	2232Aa000-02	1	中间支撑总成 Middle Support Assembly			
7	Q70006	1	油嘴 Nipple			
8	DZ9114310055-01	1	端面齿突缘 Contrate Gear End Surface Teeth			
9	991.1431.0100-2204052	1	开口螺母 Cotter Nut			
10	6X70	1	销子 Pin			

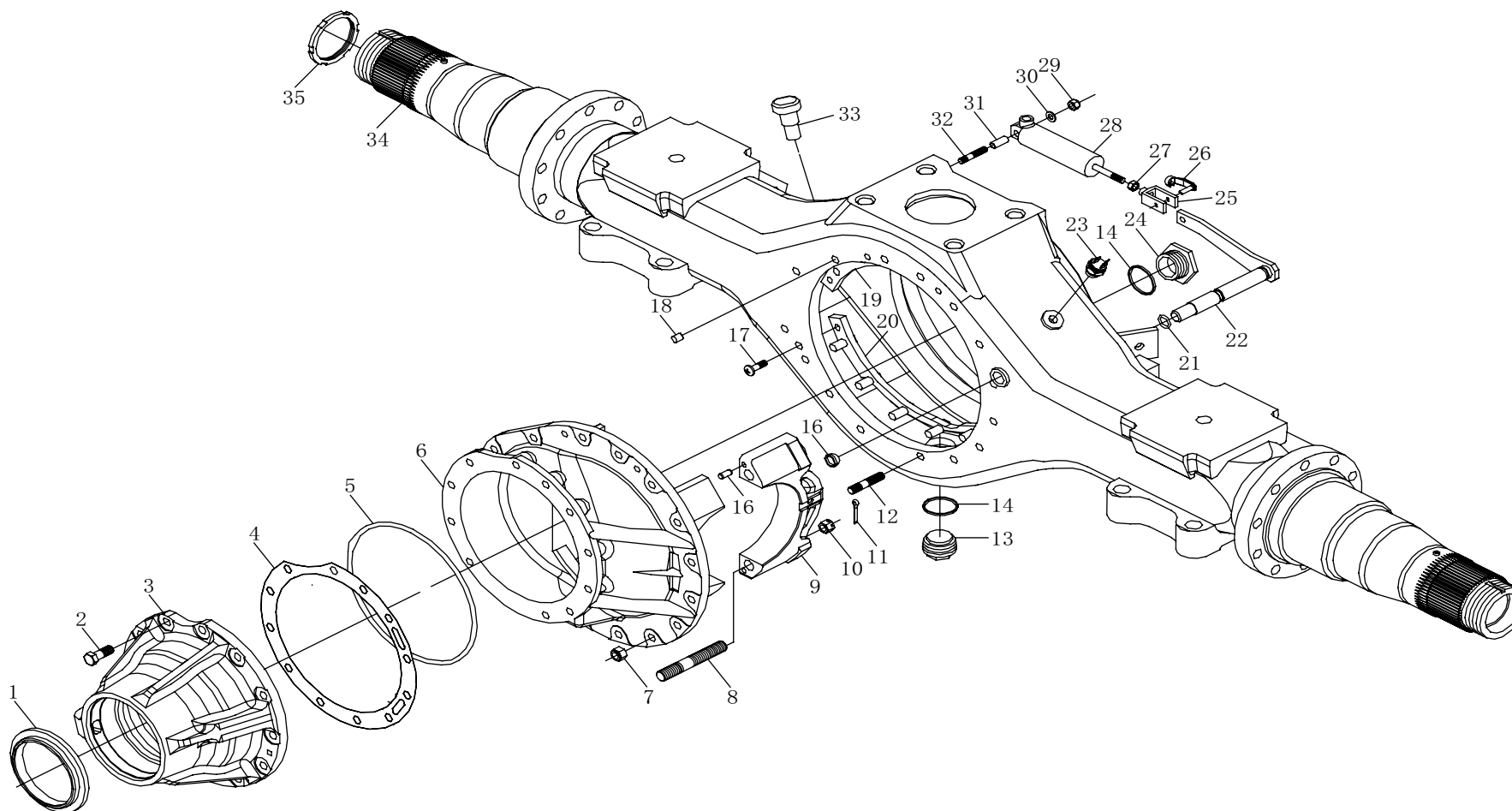
24

后桥系统

REAR AXLE SYSTEM

斯太尔驱动后桥桥壳装置图 / STEYR DRIVE REAR AXLE CASE

24-A



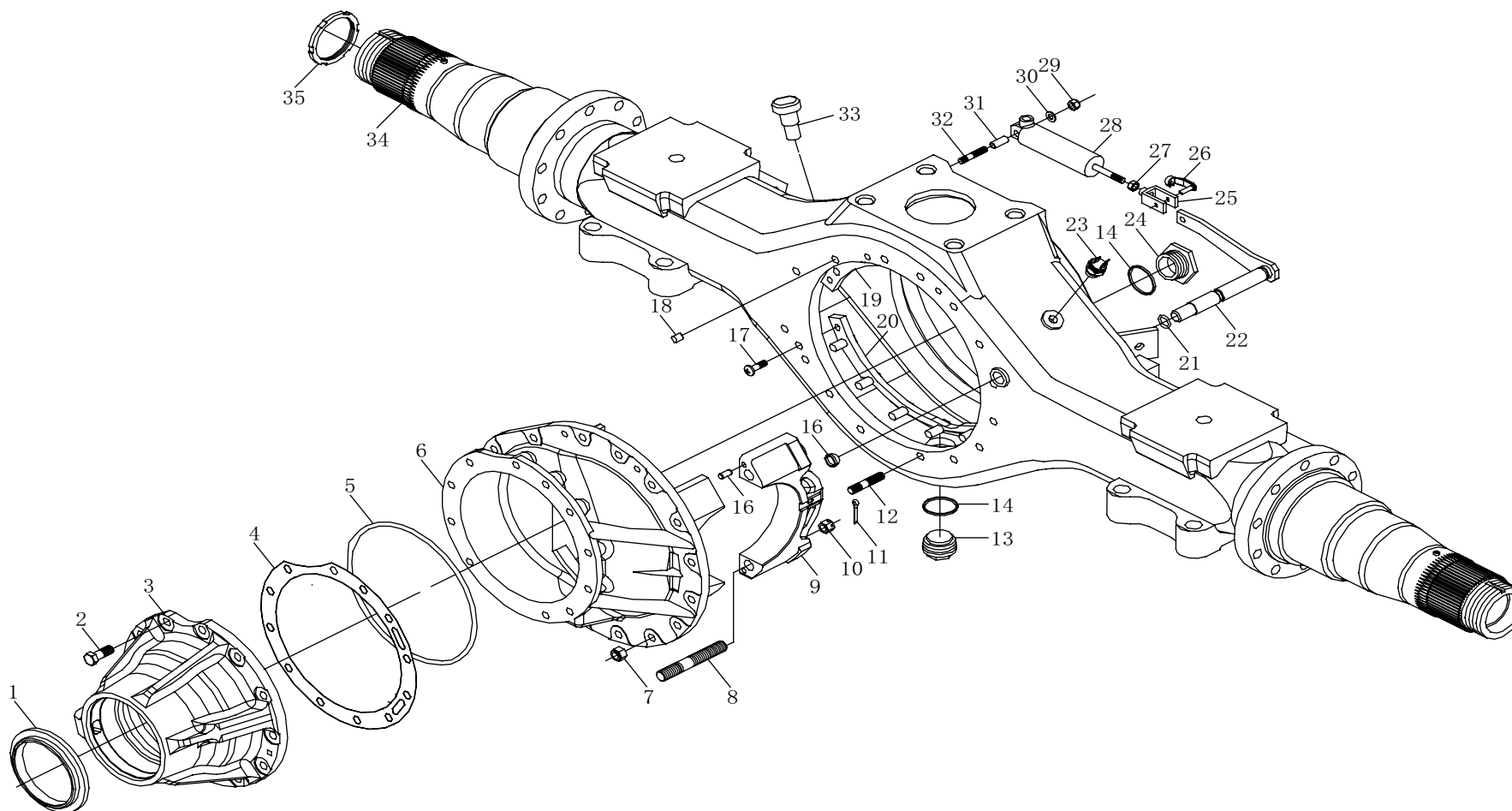
后桥系统 / REAR AXLE SYSTEM

24-2

序号 No.	件号 Part No.	数量 Quantity	名称 Name	规格 Specification	适用产品 Products Applied	备注 Remark
1	99012320121	1	环 Ring			
2	Q150B1230121	12	六角头螺栓 Hexagon Head Bolt			
3	99012320103	1	轴承座 Bearing Seat		i=5.73,6.72,7.49,8.4,9.49	
	99012320131	1	轴承座 (i=4.8) Bearing Seat(i=4.8)		i=4.8,4.42	
4	99012320099	按需 On-Demand	调整垫片 Adjusting Shim			
	99012320100	按需 On-Demand	调整垫片 Adjusting Shim			
	99012320101	按需 On-Demand	调整垫片 Adjusting Shim			
	99012320102	按需 On-Demand	调整垫片 Adjusting Shim			
5	99012320133	1	密封圈 Seal Ring			
6	99012320097	1	主减速器壳 Main Reducer Case			
7	90003888457	16	自锁螺母 Self Lock Nut			
8	Q12316120	4	双头螺柱 Stud Screw			
9	99012320002	2	差速器轴承盖 Differential Bearing Cap			

斯太尔驱动后桥桥壳装置图 / STEYR DRIVE REAR AXLE CASE

24-A



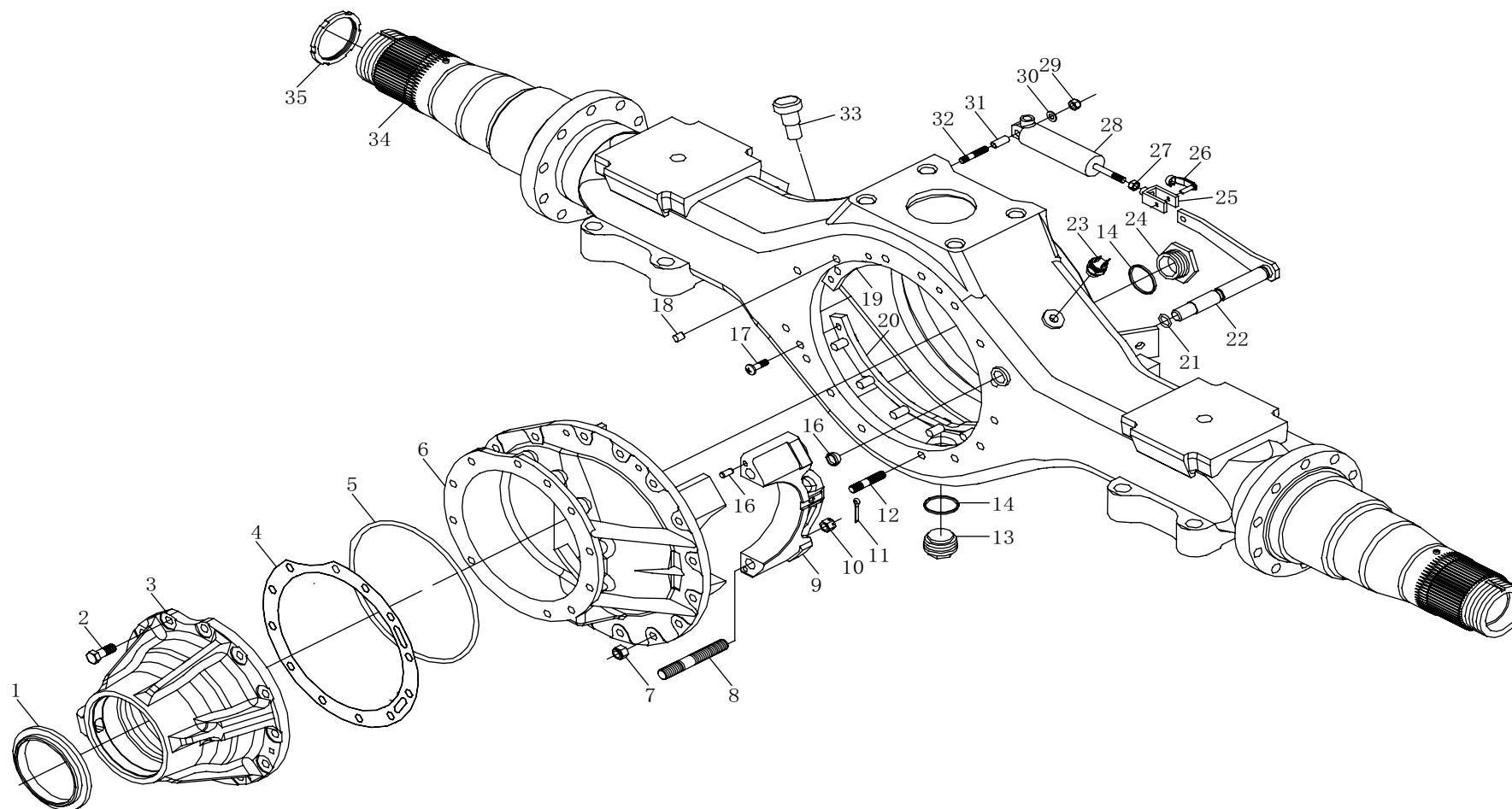
后桥系统 / REAR AXLE SYSTEM

24-4

序号 No.	件号 Part No.	数量 Quantity	名称 Name	规格 Specification	适用产品 Products Applied	备注 Remark
10	Q58116	4	六角开槽螺母 Hexagon Slotted Nut			
11	Q5004030	4	开口销 Cotter Pin			
12	Q1231230B	4	双头螺柱 Stud Screw			
13	58633015	1	磁性螺塞总成 Magnetic Plug Assembly			
14	Q72336	2	密封垫圈 Seal Washer			
15	Q5210820	4	圆柱销 Cylindrical Pin			
16	90003989209	1	碗型堵塞 Bowl Plug			
17	Q2540820	4	十字槽沉头螺钉 Cross Recessed Countersunk Head Screw			
18	Q5211014	1	圆柱销 Cylindrical Pin			
19	99014330147	1	弓型固定卡总成 (上) Bow Type Retainer Assembly (Upper)			
20	99014330146	1	弓型固定卡总成 (下) Bow Type Retainer Assembly (Lower)			
21	680M3200015	1	O型密封圈 O-Seal Ring			
22	99014330125	1	操纵杆总成 Control Lever Assembly			
23	79100710003	1	压力开关 Pressure Switch			

斯太尔驱动后桥桥壳装置图 / STEYR DRIVE REAR AXLE CASE

24-A



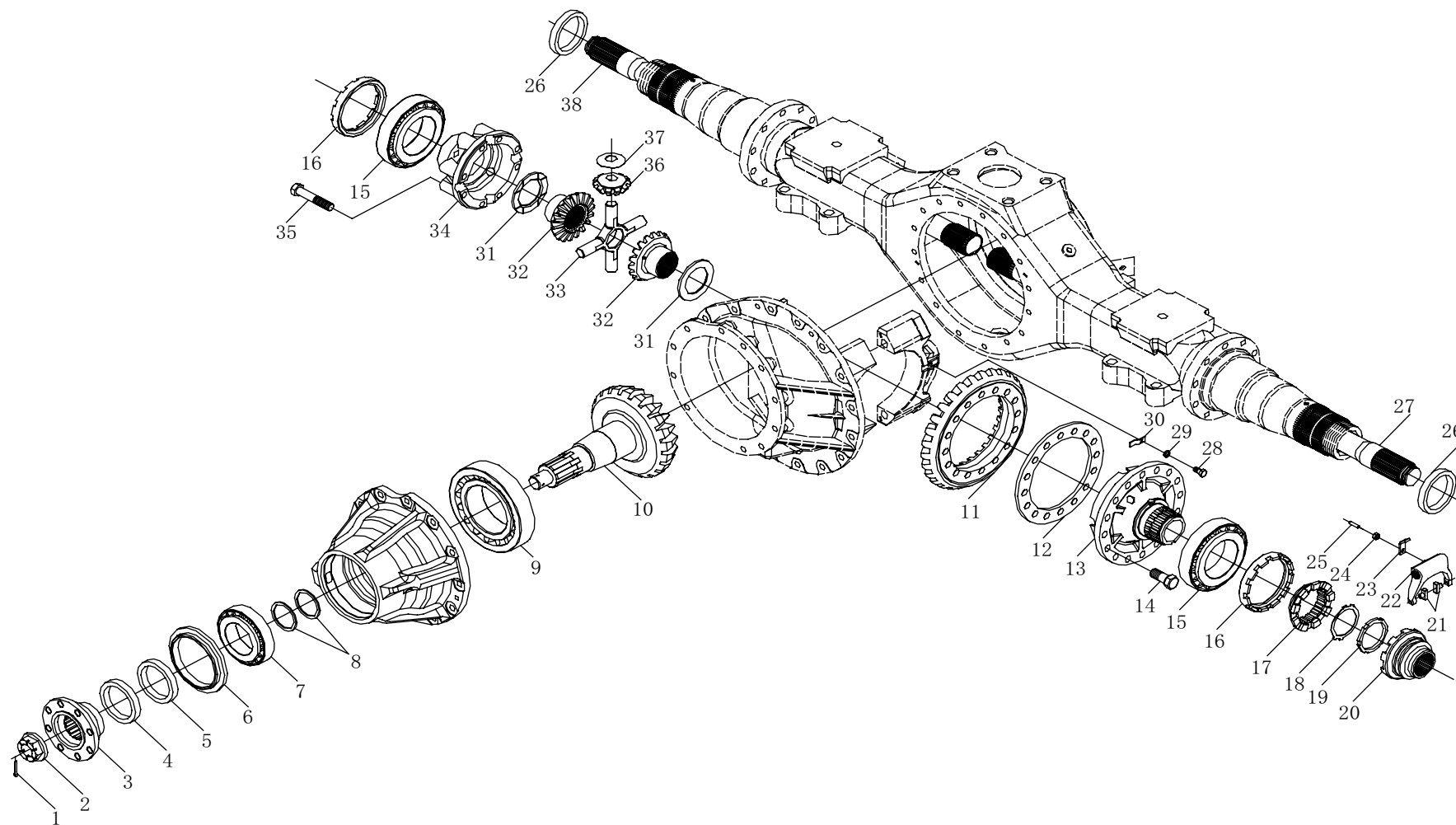
后桥系统 / REAR AXLE SYSTEM

24-6

序号 No.	件号 Part No.	数量 Quantity	名称 Name	规格 Specification	适用产品 Products Applied	备注 Remark
24	81500010163	1	螺塞 Plug			
25	90003964418	1	叉形活节 Fork Link			
26	780350055	1	ES 平头锁 ES Flat Head Lock			
27	Q350B08T15	1	六角薄螺母 Thin Hexagon Nut			
28	79100360035	1	弹簧储内能缸 Spring Internal Energy Cylinder			
29	Q33208	1	2 型全金属锁紧螺母 2-Type All Metal Lock Nut			
30	Q40108	1	平垫圈 Plate Washer			
31	61000060084	1	间隔衬套 Spacing Bushing			
32	Q1200850F3	1	双头螺栓 Stud Bolt			
33	99000330006	1	通气口总成 Vent Assembly			
34	99012330065	1	后桥壳总成 Rear Axle Case Assembly			
	DZ9112330065	1	加强后桥壳总成 Reinforced Rear Axle Case Assembly			
	DZ9112330165	1	加强加宽后桥壳总成 Reinforced And Widened Rear Axle Case Assembly			
35	380932157	1	圆螺母 (右) Round Nut (RH)			

斯太尔驱动后桥驱动装置装置图 / STEYR DRIVE REAR AXLE DRIVE UNIT

24-B



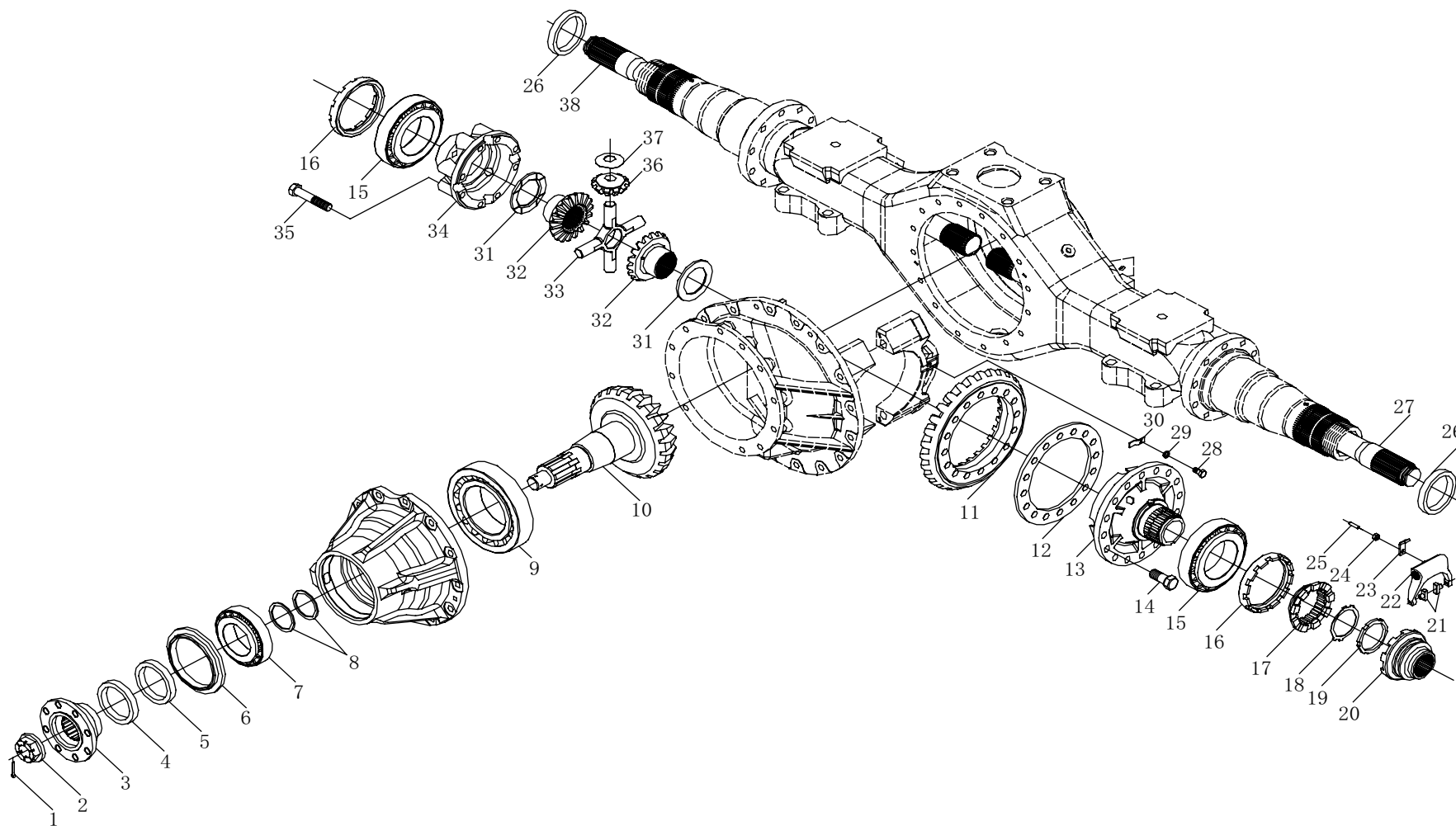
后桥系统 / REAR AXLE SYSTEM

24-8

序号 No.	件号 Part No.	数量 Quantity	名称 Name	规格 Specification	适用产品 Products Applied	备注 Remark
1	Q5005055	1	开口销 Cotter Pin			
2	79000320013	1	凸缘螺母 Flange Nut			
3	99012320110	1	凸缘总成 Flange Assembly			
	990114320261	1	凸缘总成 ϕ 180 Flange Assembly ϕ 180			
4	99012320184	1	轴密封圈 Shaft Seal Ring			
	99012320194	1	轴密封圈 Shaft Seal Ring			
5	99112320030	1	轴密封圈 Shaft Seal Ring			
	99112320031	1	轴密封圈 Shaft Seal Ring			
6	99012320121	1	环 Ring			
7	90003326236	1	圆锥滚子轴承 Tapered Roller Bearing			
8	880320002	按需 On-Demand	调整垫片 Adjusting Shim			
	880320003	按需 On-Demand	调整垫片 Adjusting Shim			
	880320004	按需 On-Demand	调整垫片 Adjusting Shim			

斯太尔驱动后桥驱动装置装置图 / STEYR DRIVE REAR AXLE DRIVE UNIT

24-B



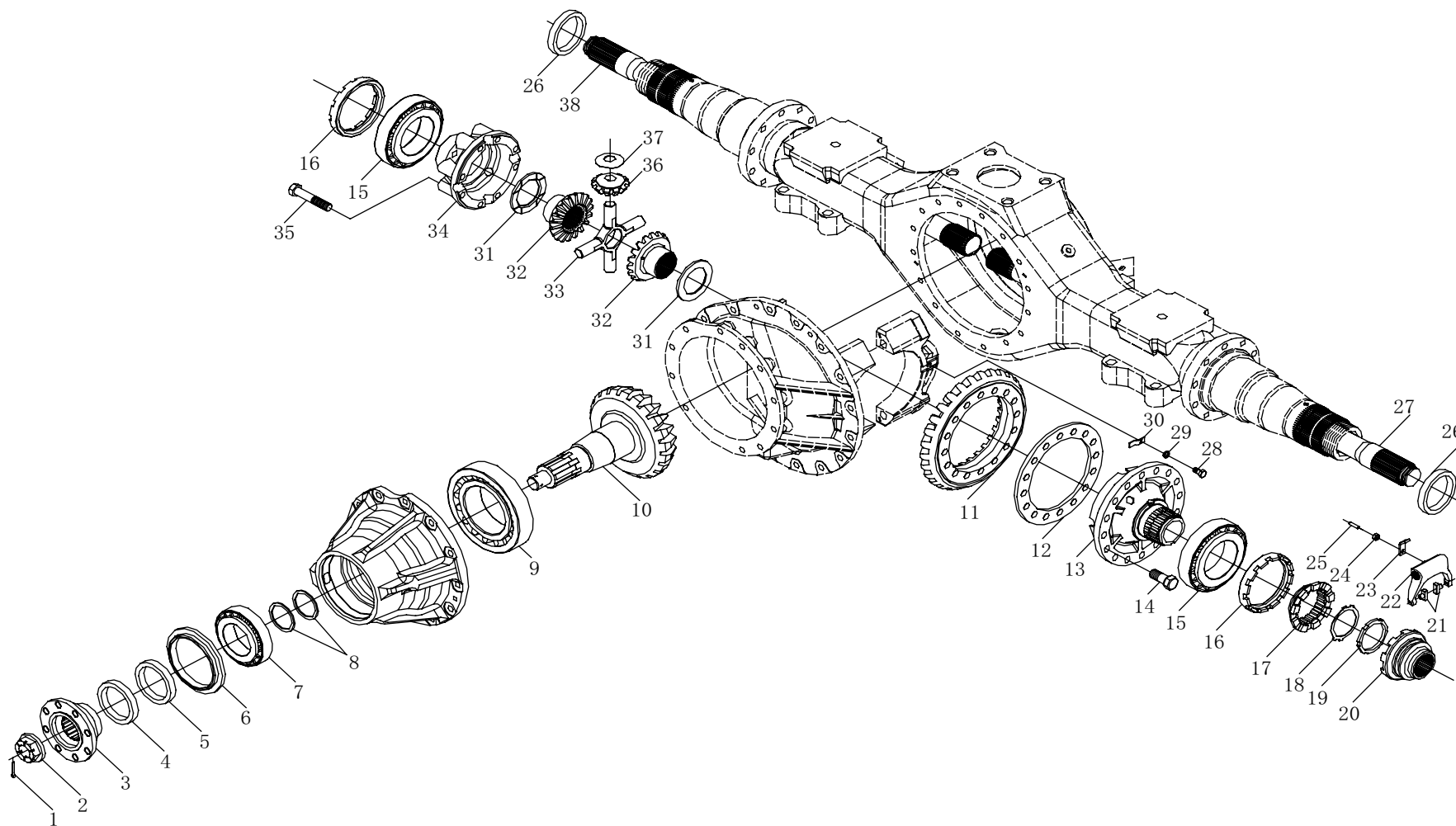
后桥系统 / REAR AXLE SYSTEM

24-10

序号 No.	件号 Part No.	数量 Quantity	名称 Name	规格 Specification	适用产品 Products Applied	备注 Remark
8	880320005	按需 On-Demand	调整垫片 Adjusting Shim			
	880320006	按需 On-Demand	调整垫片 Adjusting Shim			
	880320007	按需 On-Demand	调整垫片 Adjusting Shim			
	880320008	按需 On-Demand	调整垫片 Adjusting Shim			
	880320009	按需 On-Demand	调整垫片 Adjusting Shim			
	880320010	按需 On-Demand	调整垫片 Adjusting Shim			
	880320011	按需 On-Demand	调整垫片 Adjusting Shim			
	880320012	按需 On-Demand	调整垫片 Adjusting Shim			
	880320013	按需 On-Demand	调整垫片 Adjusting Shim			
	880320014	按需 On-Demand	调整垫片 Adjusting Shim			
	880320015	按需 On-Demand	调整垫片 Adjusting Shim			

斯太尔驱动后桥驱动装置装置图 / STEYR DRIVE REAR AXLE DRIVE UNIT

24-B



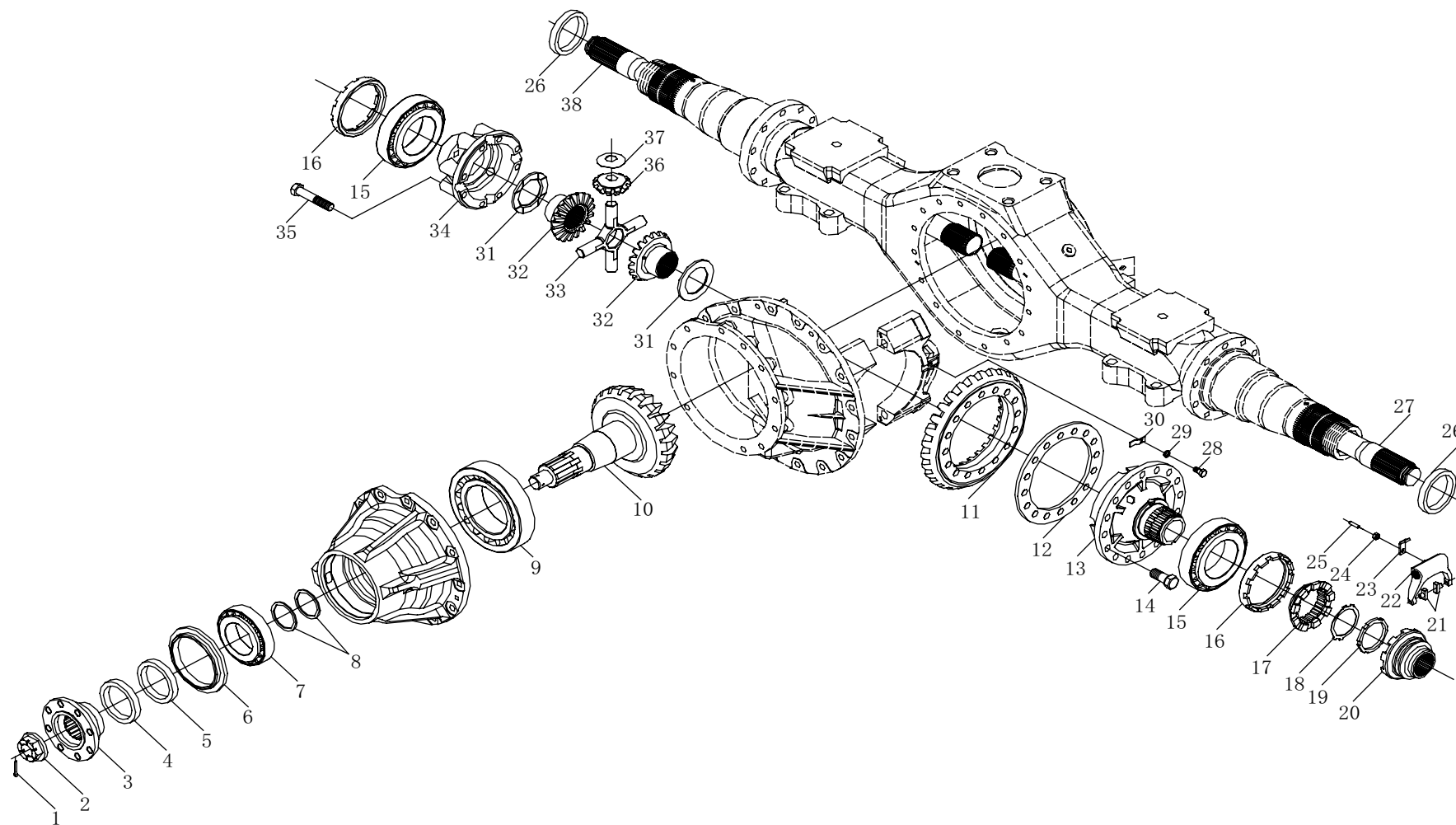
后桥系统 / REAR AXLE SYSTEM

24-12

序号 No.	件号 Part No.	数量 Quantity	名称 Name	规格 Specification	适用产品 Products Applied	备注 Remark
9	90003326546	1	圆锥滚子轴承 Tapered Roller Bearing		i=4.8	
	90003326547	1	圆锥滚子轴承 Tapered Roller Bearing		i=5.73,6.72,7.49,9.49	
10	99012320127	1	主动锥齿轮 Drive Bevel Gear		i=4.8	
	99012320124	1	主动锥齿轮 Drive Bevel Gear		i=5.73	
	99012320126	1	主动锥齿轮 Drive Bevel Gear		i=6.72	
	99012320128	1	主动锥齿轮 Drive Bevel Gear		i=7.49	
	99012320130	1	主动锥齿轮 Drive Bevel Gear		i=8.40	
	99012320132	1	主动锥齿轮 Drive Bevel Gear		i=9.49	
11	99012320125	1	从动锥齿轮 Driven Bevel Gear		i=4.8	
	99012320035	1	从动锥齿轮 Driven Bevel Gear		i=5.73	
	99012320037	1	从动锥齿轮 Driven Bevel Gear		i=6.72	
	99012320006	1	从动锥齿轮 Driven Bevel Gear		i=7.49	
	99012320005	1	从动锥齿轮 Driven Bevel Gear		i=8.40	
	99012320013	1	从动锥齿轮 Driven Bevel Gear		i=9.49	

斯太尔驱动后桥驱动装置装置图 / STEYR DRIVE REAR AXLE DRIVE UNIT

24-B



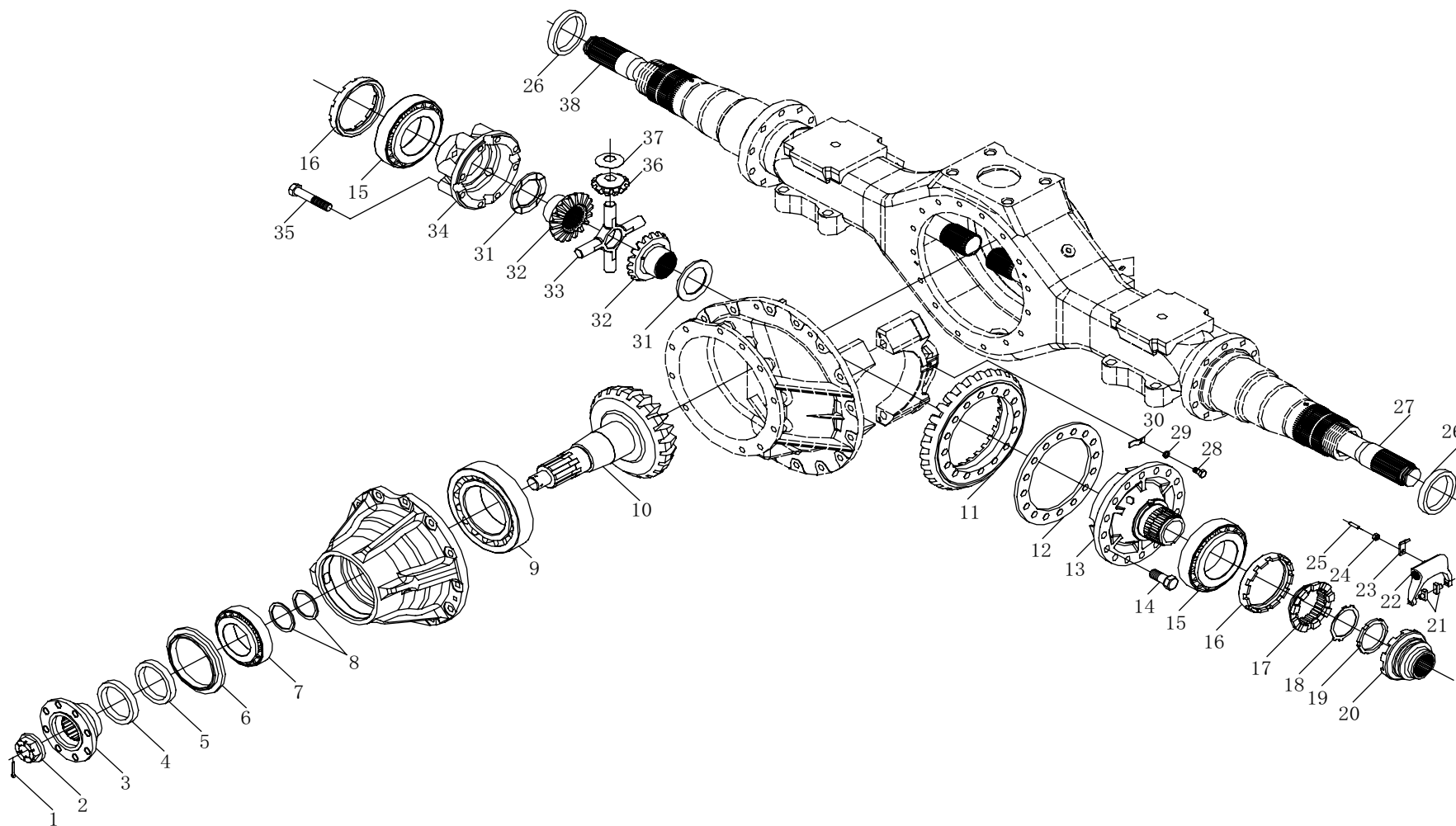
后桥系统 / REAR AXLE SYSTEM

24-14

序号 No.	件号 Part No.	数量 Quantity	名称 Name	规格 Specification	适用产品 Products Applied	备注 Remark
12	AZ9112320153	1	轴间差速器壳垫片 Interaxial Differential Case Shim		i=7.49,8.40,9.49	
13	99012320197	1	差速器壳(左) Differential Case(LH)		i=4.8,6.72,5.73	
	AZ9112320197	1	差速器壳(左) Differential Case(LH)		i=7.49,8.40,9.49	
14	DZ9114320011	16	六角法兰面承面齿螺栓 Hexagon Carrying Plane Tooth Bolt With Flange		i=4.8,6.72,5.73	
	DZ9114320012	16	六角法兰面承面齿螺栓 Hexagon Carrying Plane Tooth Bolt With Flange		i=7.49,8.40,9.49	
15	90003326148	2	圆锥滚子轴承 Tapered Roller Bearing			
16	3809320159	2	差速器轴承调整螺母 Differential Bearing Adjusting Nut			
17	3809320155	1	固定啮合套 Fixing Engagement Sleeve			
18	3809320158	1	锁止垫片 Locking Shim			
19	3809320157	1	圆螺母 Round Nut			
20	3809320156	1	滑动啮合套 Sliding Engagement Sleeve			
21	1800320077	2	拨叉活动块 Fork Movable Block			
22	99012320014	1	拨叉 Fork			
23	99012320023	1	弯板 Plate Bending			

斯太尔驱动后桥驱动装置装置图 / STEYR DRIVE REAR AXLE DRIVE UNIT

24-B



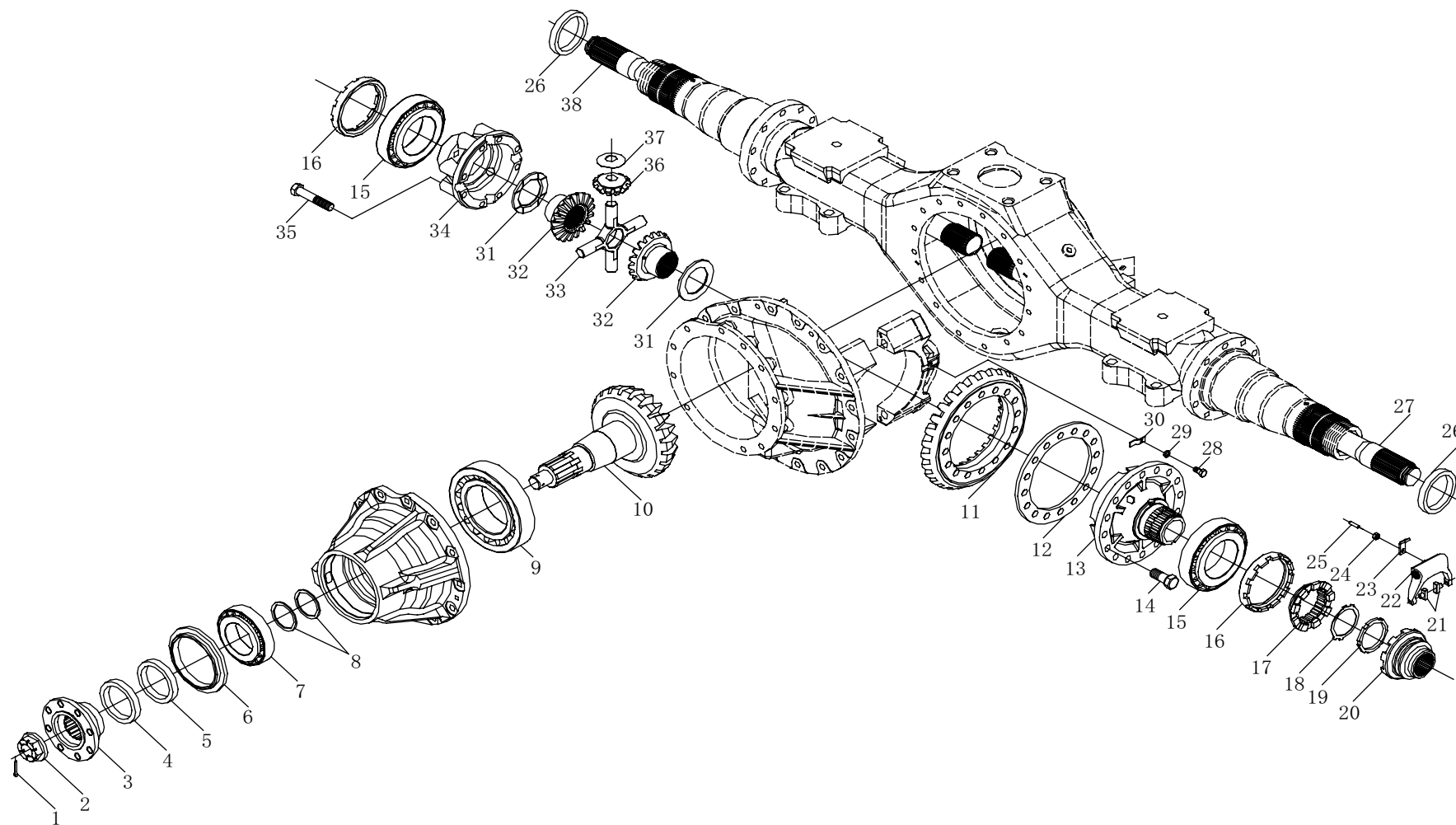
后桥系统 / REAR AXLE SYSTEM

24-16

序号 No.	件号 Part No.	数量 Quantity	名称 Name	规格 Specification	适用产品 Products Applied	备注 Remark
24	Q340B08	1	I型六角螺母 Hexagon Full Nut			
25	Q2800825	1	开槽锥端紧固螺钉 Slotted Tightening Screw With Conical Head			
26	90003074340	2	轴密封圈 Shaft Seal Ring			
27	99012340023	1	半轴(左) Half-Shaft(LH)			
	DZ9112340221	1	半轴(左) Half-Shaft(LH)		用于加宽桥 For Widened Axle	
28	Q150B0816	2	六角头螺栓 Hexagon Head Bolt			
29	Q40308	2	弹簧垫圈 Spring Washer			
30	79000320027	2	止动片 Stop Plate			
31	800320131	按需 On-Demand	调整垫片 Adjusting Shim			
	800320012	按需 On-Demand	调整垫片 Adjusting Shim			
	800320132	按需 On-Demand	调整垫片 Adjusting Shim			
	99012320129	按需 On-Demand	调整垫片 Adjusting Shim			
	13809320169	按需 On-Demand	调整垫片 Adjusting Shim			

斯太尔驱动后桥驱动装置装置图 / STEYR DRIVE REAR AXLE DRIVE UNIT

24-B



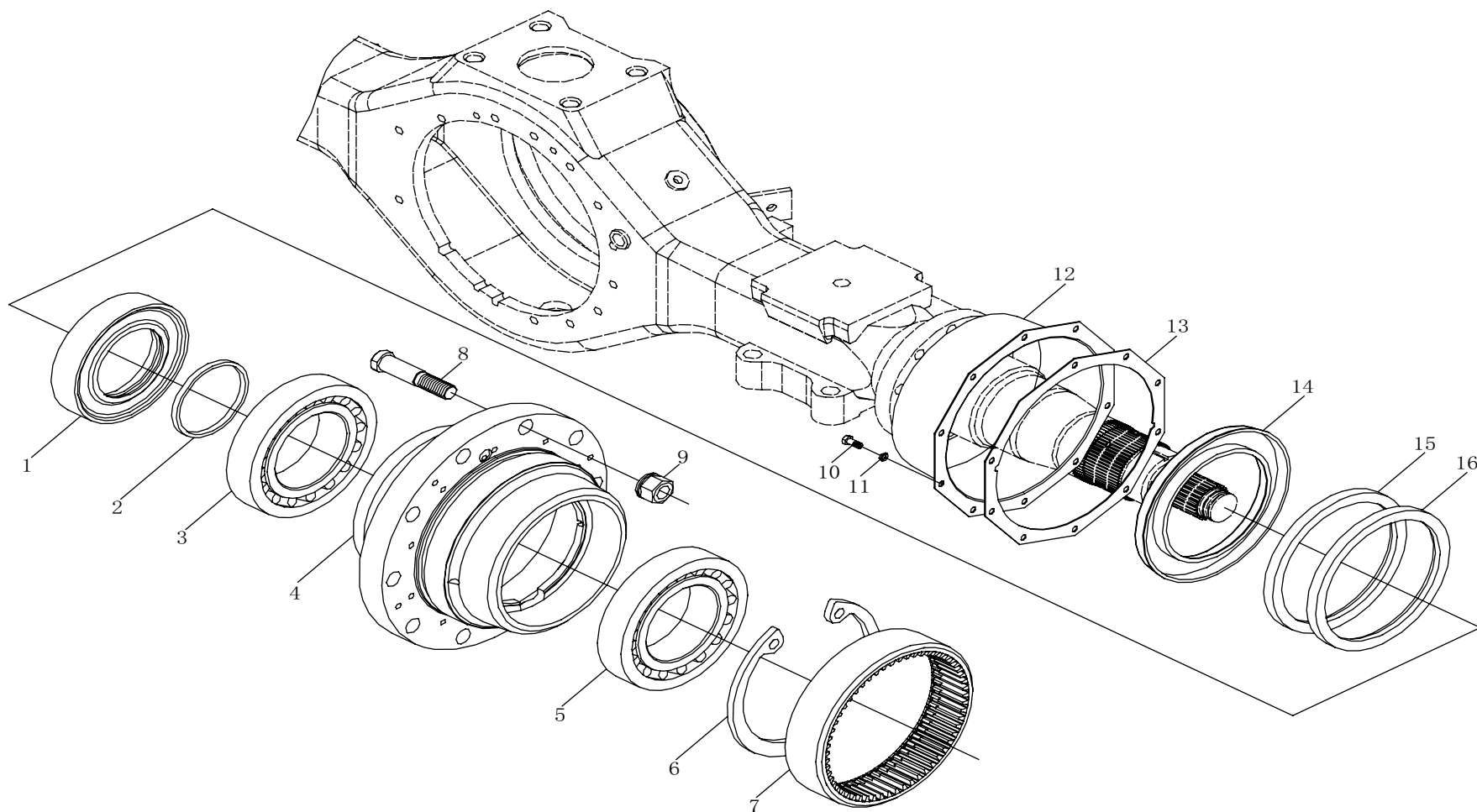
后桥系统 / REAR AXLE SYSTEM

24-18

序号 No.	件号 Part No.	数量 Quantity	名称 Name	规格 Specification	适用产品 Products Applied	备注 Remark
32	99012320009	2	半轴齿轮 Half-Shaft Gear			
33	99014320091	1	差速器十字轴 Differential Spider			
34	99012320008	1	差速器壳(右) Differential Case(RH)			
35	Q151B1480TF	8	六角头螺栓 Hexagon Head Bolt			
36	99012320010	4	行星齿轮 Planetary Gear			
37	99012320150	4	行星齿轮垫片 Planetary Gear Shim			
38	99012340024	1	半轴(右) Half-Shaft(RH)			
	DZ9112340222	1	半轴(右) Half-Shaft(RH)			

斯太尔后桥轮边行星减速器 I 装置图
STEYR REAR AXLE HUB PLANETARY REDUCER I

24-C



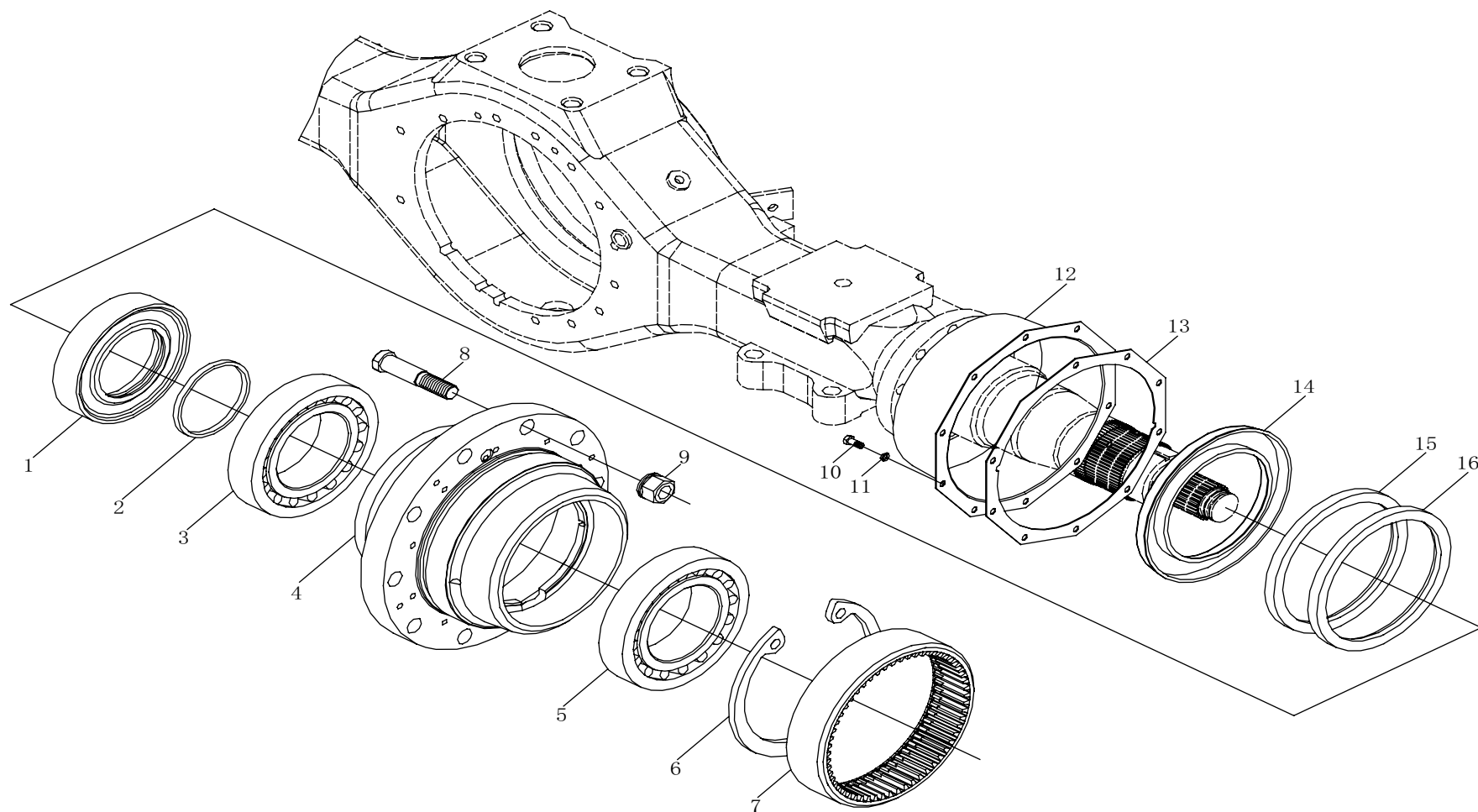
后桥系统 / REAR AXLE SYSTEM

24-20

序号 No.	件号 Part No.	数量 Quantity	名称 Name	规格 Specification	适用产品 Products Applied	备注 Remark
1	99012340017	2	隔圈 Distance Ring			
2	99012340027	2	密封圈 Seal Ring			
3	90003326067	2	圆锥滚子轴承 Tapered Roller Bearing			
4	99012340082	2	后轮毂总成 Rear Hub Assembly			
	99112340011	2	后轮毂总成 ABS Rear Hub Assembly ABS			
5	90003326167	2	圆锥滚子轴承 Tapered Roller Bearing			
6	880420014	2	孔用档圈 Retainer Ring For Hole			
7	99012340121	2	内齿圈 Inner Gear Ring			
8	99012340123	20	车轮螺栓 Wheel Bolt			
9	90003884160	20	车轮螺母 Wheel Nut			
10	Q150B0816	20	六角头螺栓 Hexagon Head Bolt			
11	Q40308	20	弹簧垫圈 Spring Washer			
12	99012340021	2	挡油罩 Oil-Retaining Cover			
13	99012340020	2	密封垫片 Seal Shim			

斯太尔后桥轮边行星减速器 I 装置图
STEYR REAR AXLE HUB PLANETARY REDUCER I

24-C



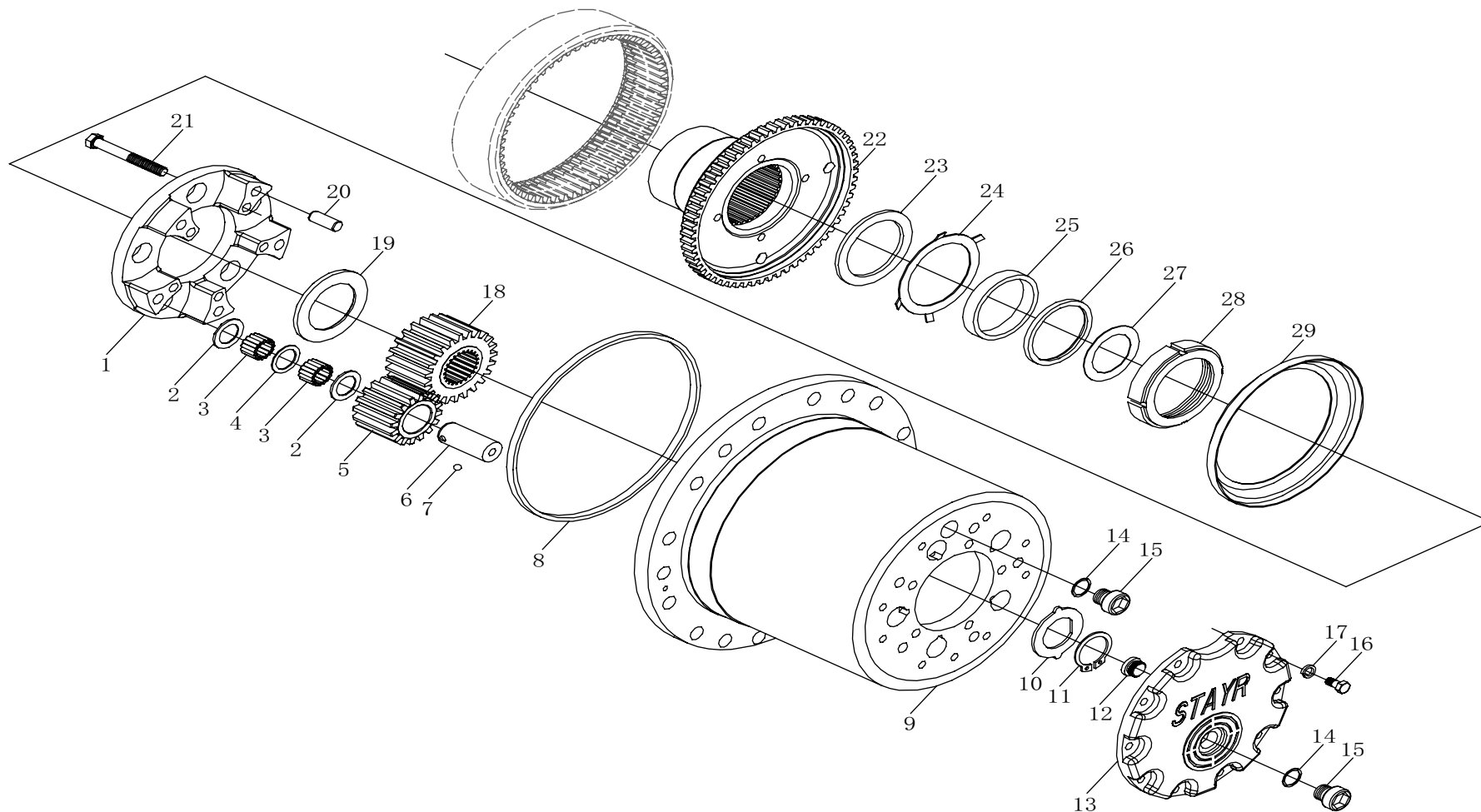
后桥系统 / REAR AXLE SYSTEM

24-22

序号 No.	件号 Part No.	数量 Quantity	名称 Name	规格 Specification	适用产品 Products Applied	备注 Remark
14	99012340018	2	挡油盘 Oil Slinger			
15	99012340094	2	轴密封圈 Shaft Seal Ring			
16	99012340093	2	轴密封圈 Shaft Seal Ring			

斯太尔后桥轮边行星减速器 II 装置图
STEYR REAR AXLE HUB PLANETARY REDUCER II

24-D



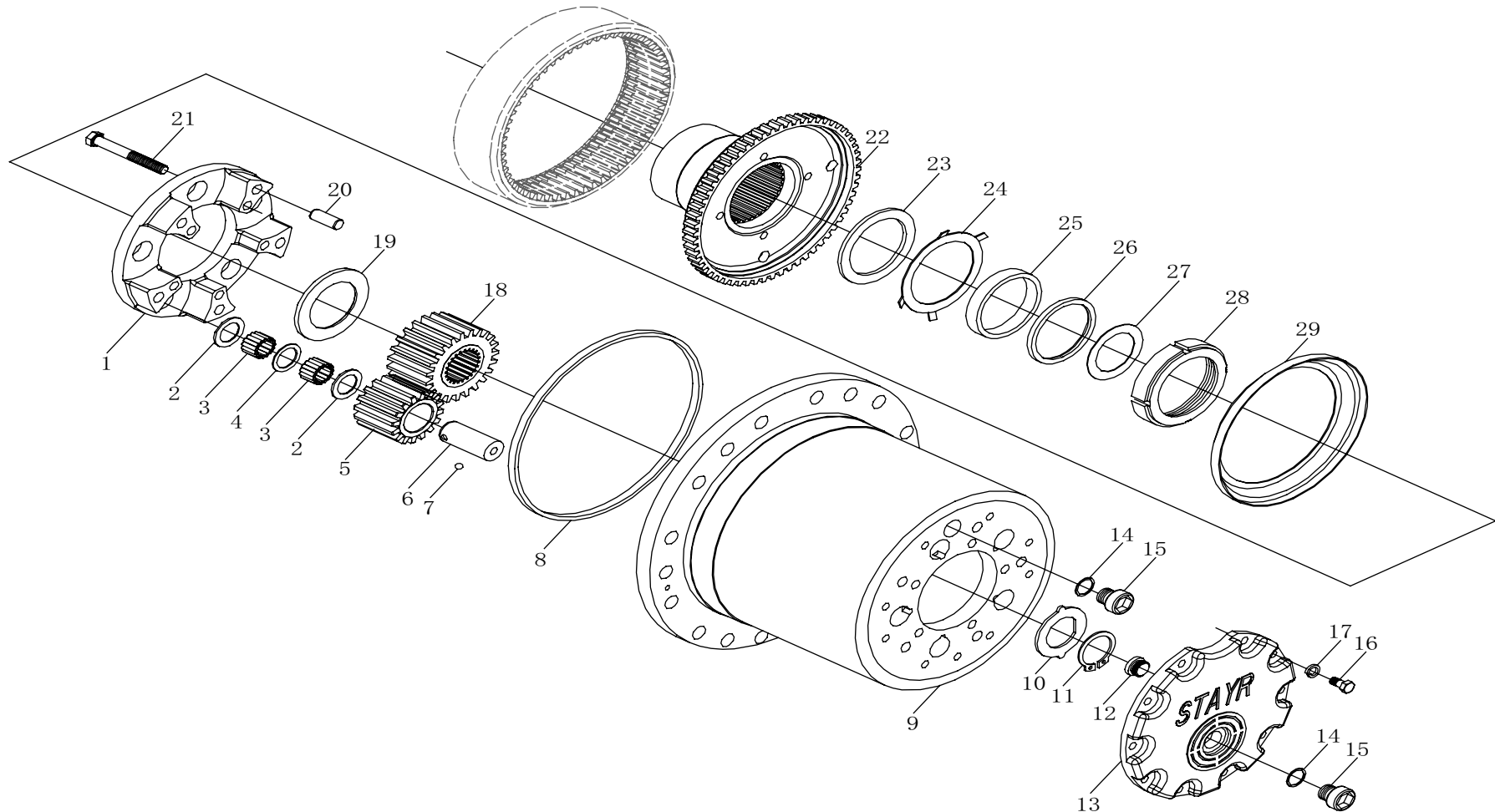
后桥系统 / REAR AXLE SYSTEM

24-24

序号 No.	件号 Part No.	数量 Quantity	名称 Name	规格 Specification	适用产品 Products Applied	备注 Remark
1	99112340018	2	行星架 Planetary Carrier			
2	990112340075	20	行星轮垫片 Planetary Gear Shim			
3	99934013	20	滚针轴承 Needle Roller Bearing			
4	99012340077	10	垫圈 Washer			
5	99012340122	10	行星轮 Planetary Gear			
6	99012340004	10	行星轮轴 Planetary Gear Shaft			
7	90003330148	10	钢球 Steel Ball			
8	99012340029	2	密封圈 Seal Ring			
9	99012340069	2	轮边减速器壳 Hub Reductor Case			
10	880410097	2	垫圈 Washer			
11	90003933351	2	轴用弹性垫圈 Spring Washer For Shaft			
12	99012340011	2	端盖顶销 End Cover Top Pin			
13	99112340001	2	端盖 End Cover			
14	90003098026	4	密封垫圈 Seal Washer			

斯太尔后桥轮边行星减速器 II 装置图 STEYR REAR AXLE HUB PLANETARY REDUCER II

24-D



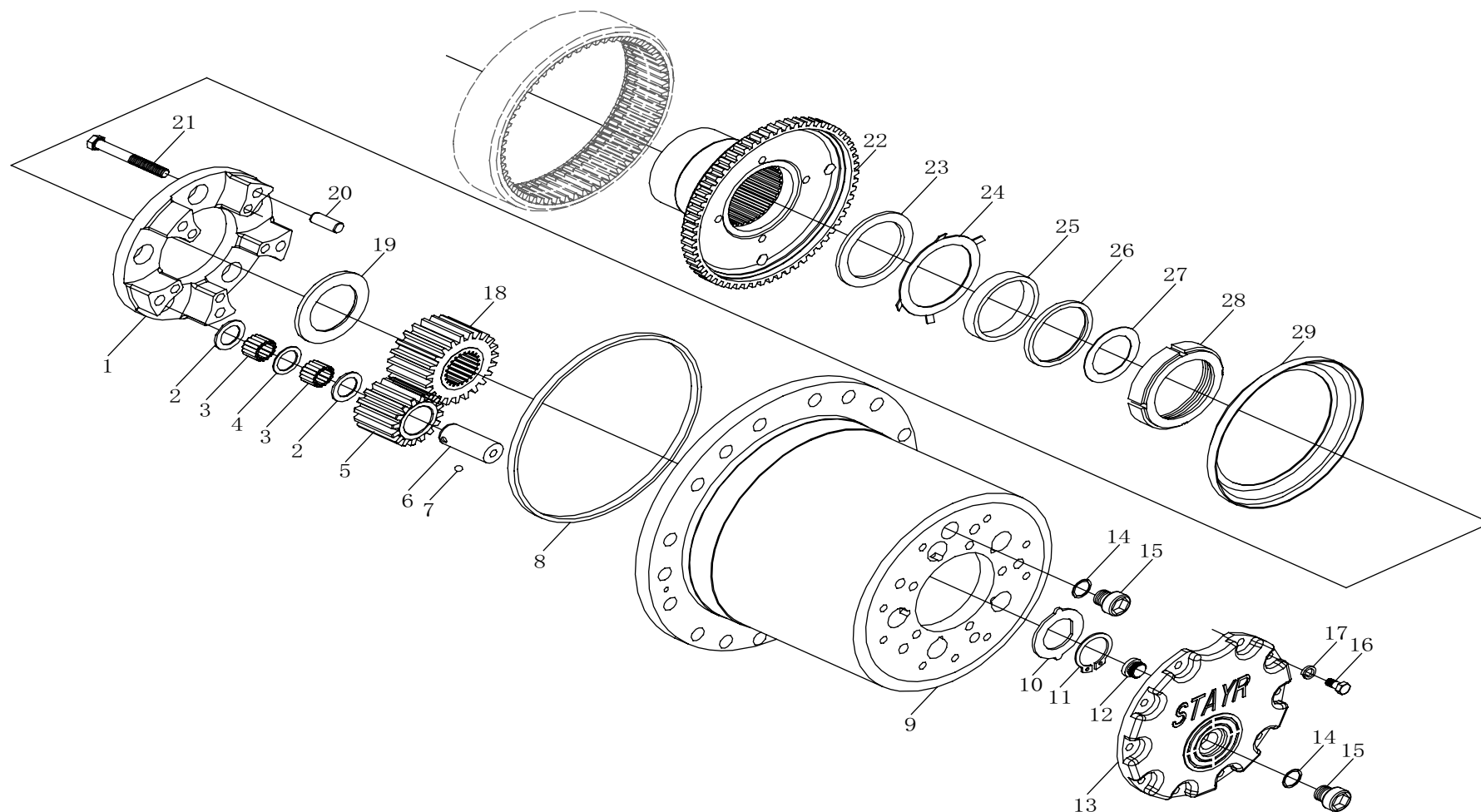
后桥系统 / REAR AXLE SYSTEM

24-26

序号 No.	件号 Part No.	数量 Quantity	名称 Name	规格 Specification	适用产品 Products Applied	备注 Remark
15	90003961309	4	圆柱内六角螺塞 Hexagon Socket Cap Head Screw Plug			
16	Q150B1018	20	六角头螺栓 Hexagon Head Bolt			
17	Q40310	20	弹簧垫圈 Spring Washer			
18	99012340005	2	太阳轮 Sun Gear			
19	99012340076	2	太阳轮垫圈 Sun Gear Washer			
20	Q5211435	10	圆柱销 Cylindrical Pin			
21	Q151C1295TF2	10	六角头螺栓 Hexagon Head Bolt			
22	99112340020	2	齿圈支架 Gear Ring Bracket			
23	99012340067	2	轴密封圈 Shaft Seal Ring			
24	880420033	2	齿圈座环 Gear Ring Seat Ring			
25	880420034	2	止推垫环 Thrust Shim			
26	680340014	2	止推垫圈 Thrust Washer			

斯太尔后桥轮边行星减速器 II 装置图 STEYR REAR AXLE HUB PLANETARY REDUCER II

24-D



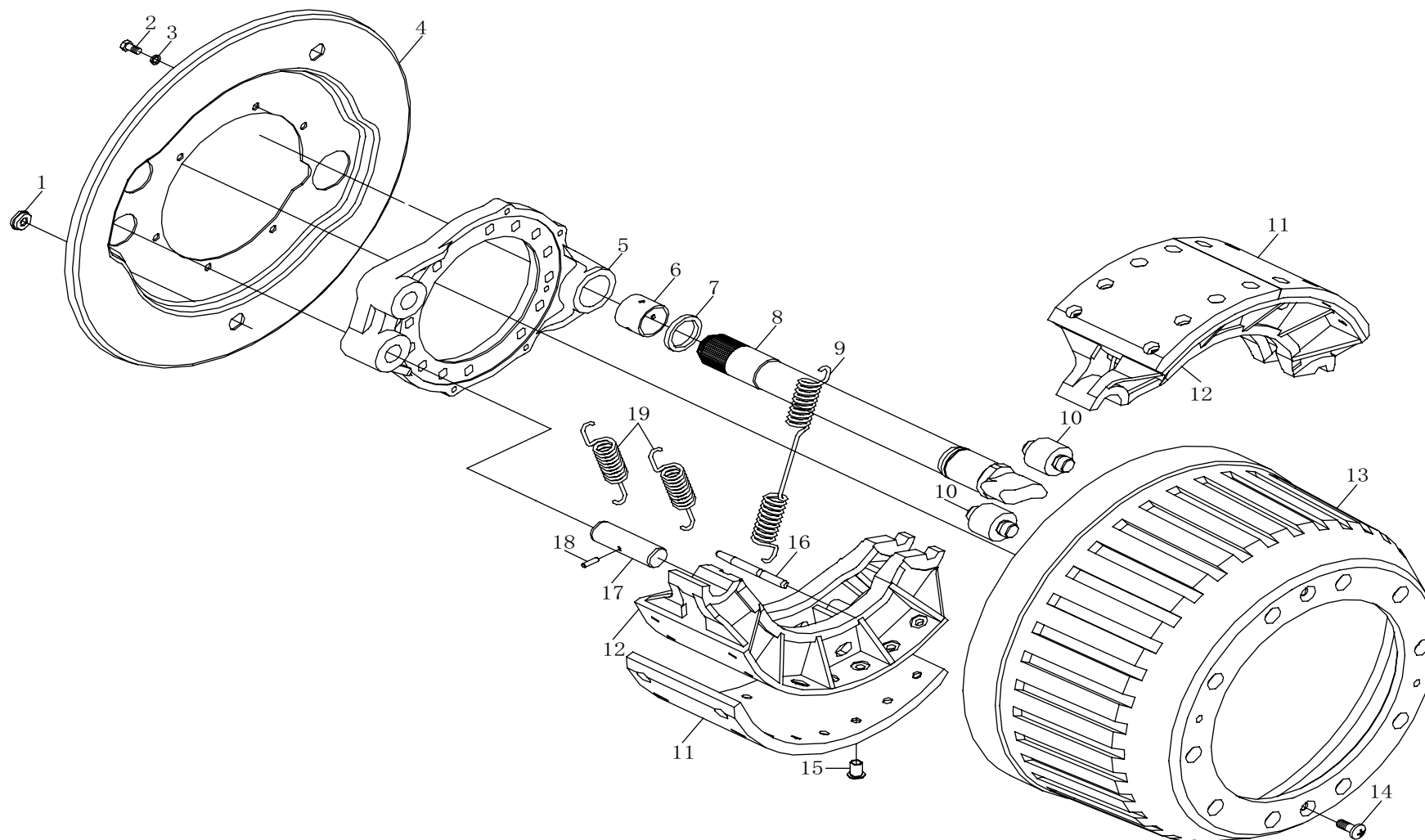
后桥系统 / REAR AXLE SYSTEM

24-28

序号 No.	件号 Part No.	数量 Quantity	名称 Name	规格 Specification	适用产品 Products Applied	备注 Remark
27	680340015	按需 On-Demand	调整垫片 Adjusting Shim			
	680340016	按需 On-Demand	调整垫片 Adjusting Shim			
	680340017	按需 On-Demand	调整垫片 Adjusting Shim			
	680340018	按需 On-Demand	调整垫片 Adjusting Shim			
	680340187	按需 On-Demand	调整垫片 Adjusting Shim			
28	680340013	2	圆螺母 Round Nut			
29	880420027	2	行星架挡油盘 Planetary Carrier Oil Slinger			

斯太尔驱动后桥制动器 I 装置图 / STEYR DRIVE REAR AXLE BRAKE I

24-E



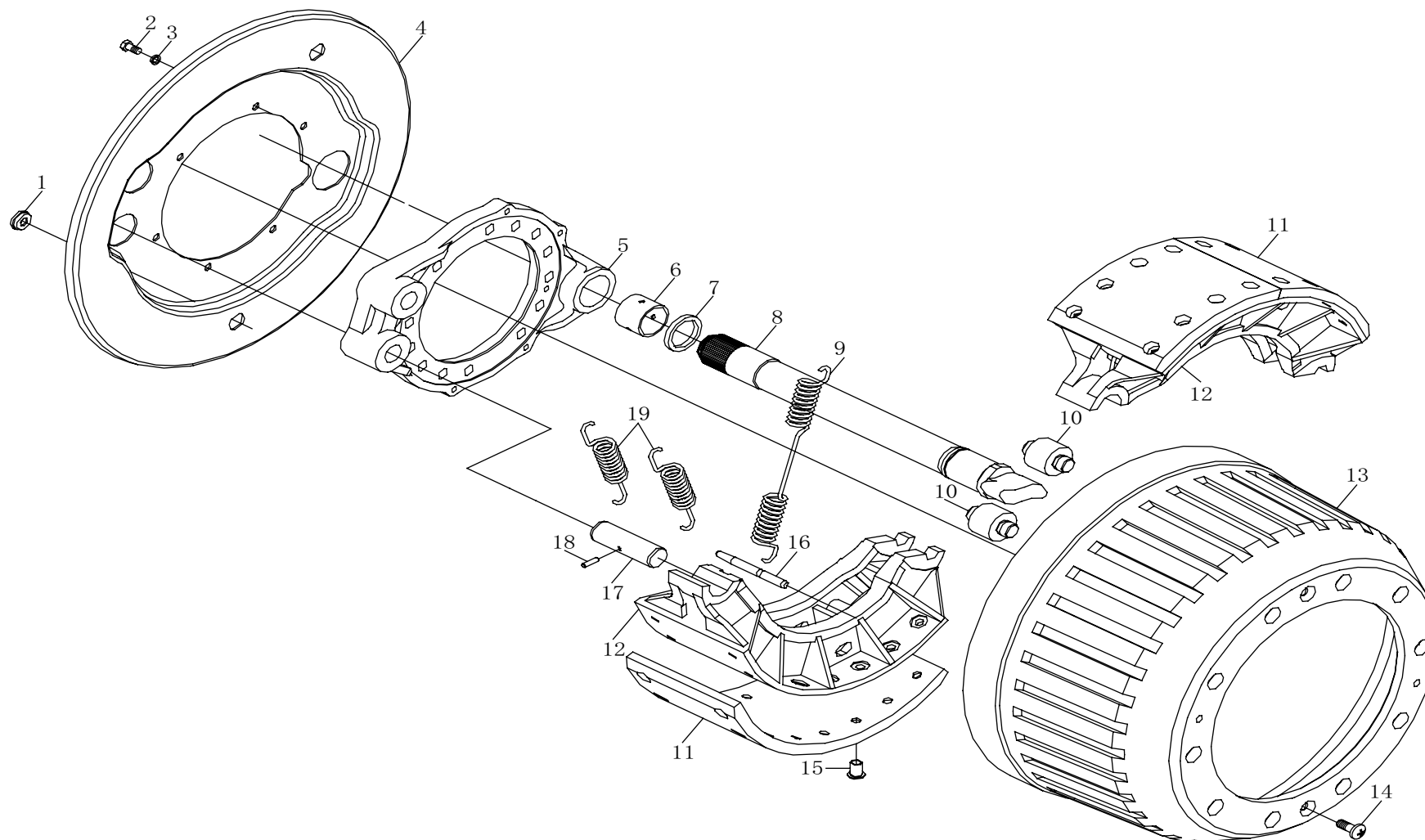
后桥系统 / REAR AXLE SYSTEM

24-30

序号 No.	件号 Part No.	数量 Quantity	名称 Name	规格 Specification	适用产品 Products Applied	备注 Remark
1	880340037	4	密封塞 Seal Plug			
2	Q150B0816	12	六角头螺栓 Hexagon Head Bolt			
3	Q40308	12	弹簧垫圈 Spring Washer			
4	880 340018	2	制动器防尘罩 Brake Dust Cover			
	99112340012	2	制动器防尘罩 Brake Dust Cover		用于 ABS 装置 For ABS	
5	99000340062	2	制动底板 Brake Bottom Plate			
6	DZ9100340017	2	衬套 Bushing			
7	880440010	4	垫片 Shim			
8	99112340026	1	制动凸轮 (左) Brake Cam(LH)			
	99112340027	1	制动凸轮 (右) Brake Cam(RH)			
	DZ9112340056	1	制动凸轮 (左) Brake Cam(LH)		用于加宽桥 For Widened Axle	
	DZ9112340057	1	制动凸轮 (右) Brake Cam(RH)		用于加宽桥 For Widened Axle	
9	880440012	2	回位弹簧 Return Spring			
10	99000340027	4	滚轮 Roller			

斯太尔驱动后桥制动器 I 装置图 / STEYR DRIVE REAR AXLE BRAKE I

24-E



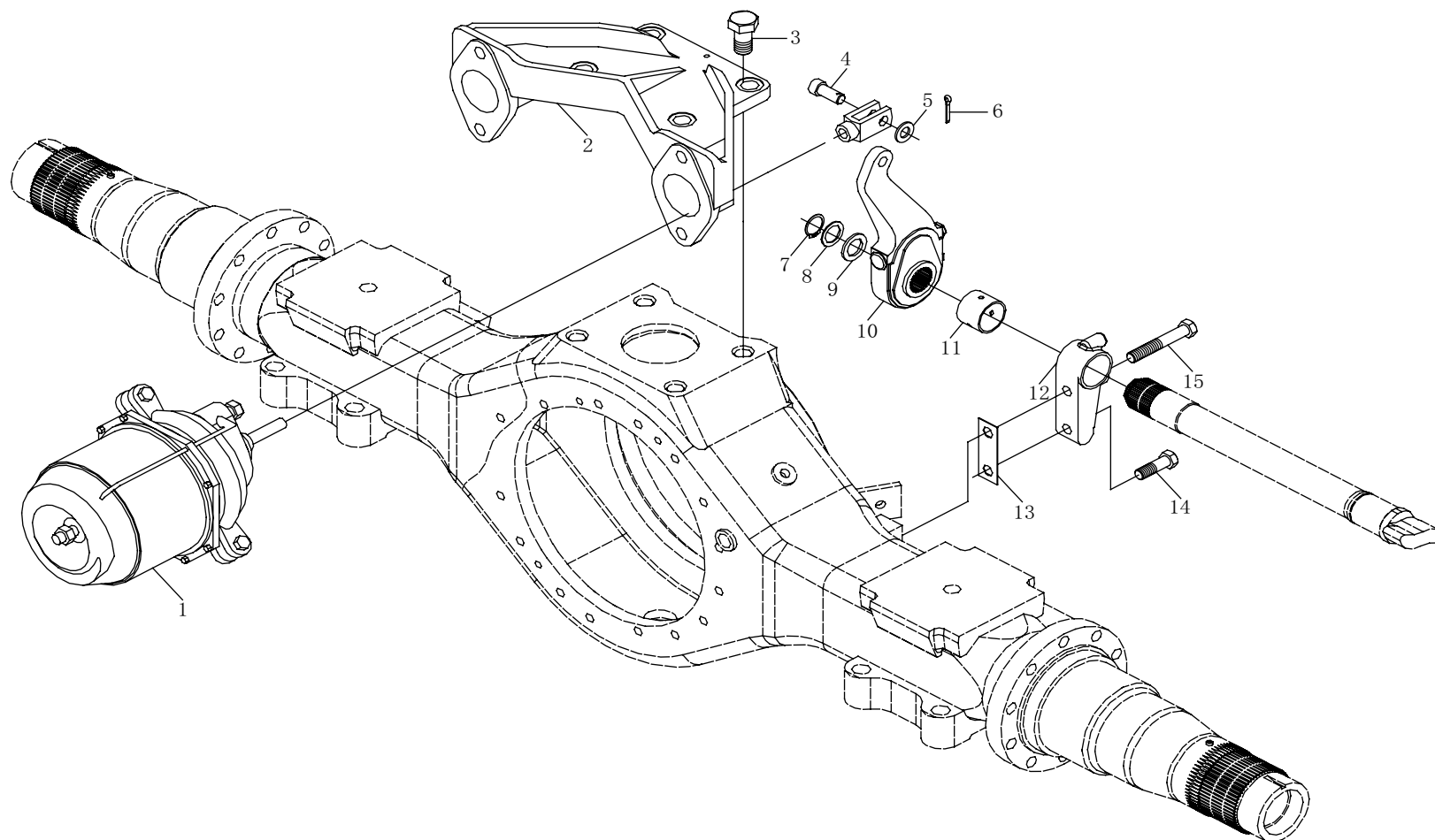
后桥系统 / REAR AXLE SYSTEM

24-32

序号 No.	件号 Part No.	数量 Quantity	名称 Name	规格 Specification	适用产品 Products Applied	备注 Remark
11	99000340086	8	制动摩擦片 Brake Lining			
12	99000340061	4	制动蹄 Brake Shoe			
13	99112340006	2	制动鼓 Brake Drum			
14	Q2541020	4	十字槽盘头螺钉 Cross Recessed Pan Head Screw			
15	89000340068	64	铆钉 Rivet			
16	880440032	4	支销 Anchor Pin			
17	99000340064	4	销轴 Center Pin			
18	Q5280624	4	弹性圆柱销 Spring Cylindrical Pin			
19	99112340049	4	回位弹簧 Return Spring			

斯太尔驱动后桥制动器 II 装置图 / STEYR DRIVE REAR AXLE BRAKE II

24-F



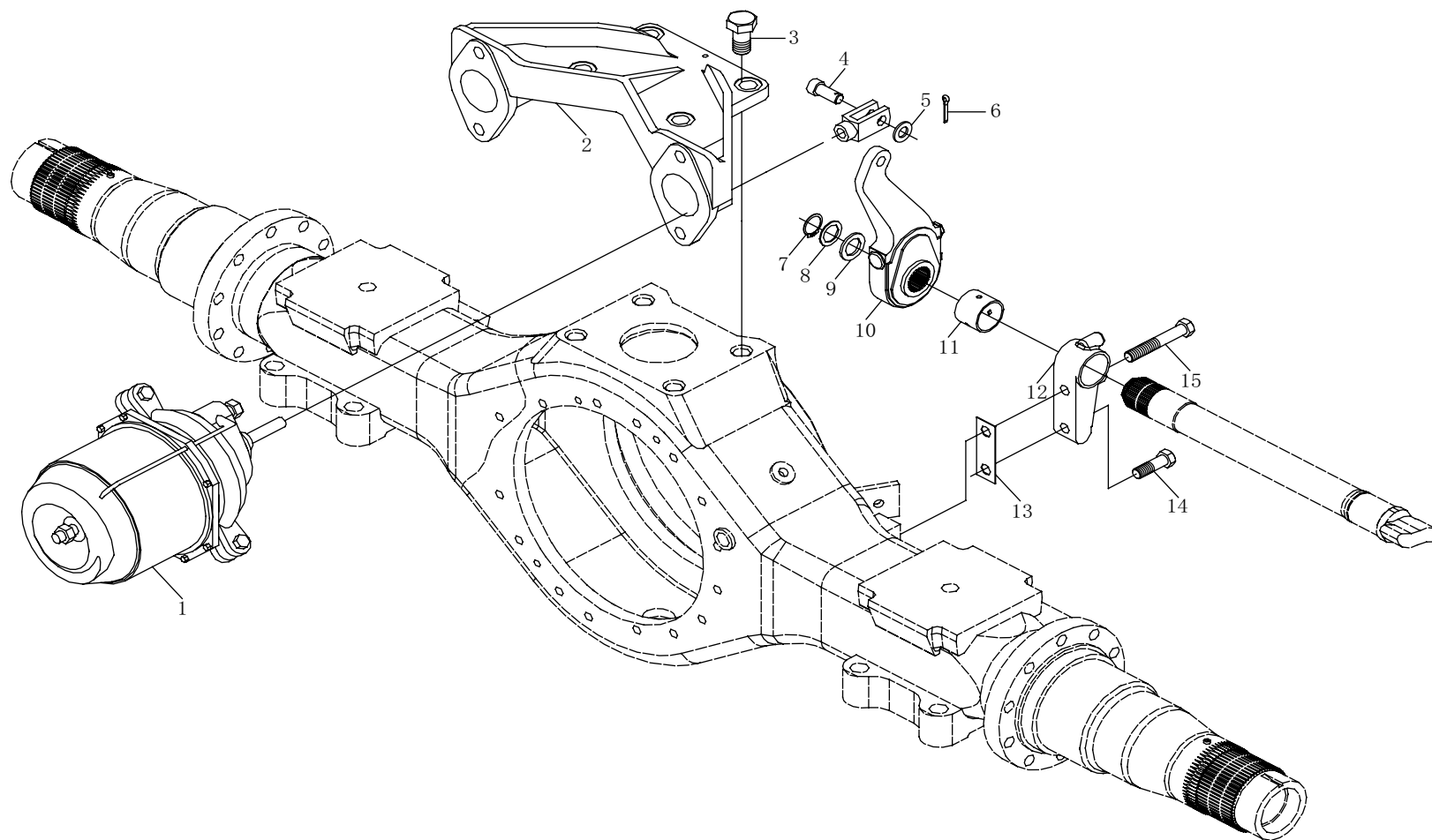
后桥系统 / REAR AXLE SYSTEM

24-34

序号 No.	件号 Part No.	数量 Quantity	名称 Name	规格 Specification	适用产品 Products Applied	备注 Remark
1	AZ9100368303	2	膜片式弹簧制动气室 (重庆) Diaphragm Spring Brake Chamber (Chong Qing)			
	AZ9100369303	2	膜片式弹簧制动气室 (明水) Diaphragm Spring Brake Chamber (Ming Shui)			
2	99012340066	1	气室支架 Chamber Bracket			
3	Q151B2040TF2	4	六角头螺栓 Hexagon Head Bolt			
4	90003903661	2	销轴 Center Pin			
5	Q40114	2	平垫圈 Plate Washer			
6	Q500422	2	开口销 Cotter Pin			
7	Q43125	2	轴用弹性垫圈 Spring Washer For Shaft			
8	803228	按需 On-Demand	调整垫片 Adjusting Shim			
	803229	按需 On-Demand	调整垫片 Adjusting Shim			
	803230	按需 On-Demand	调整垫片 Adjusting Shim			
	803246	按需 On-Demand	调整垫片 Adjusting Shim			
9	880340022	2	垫圈 Washer			

斯太尔驱动后桥制动器 II 装置图 / STEYR DRIVE REAR AXLE BRAKE II

24-F



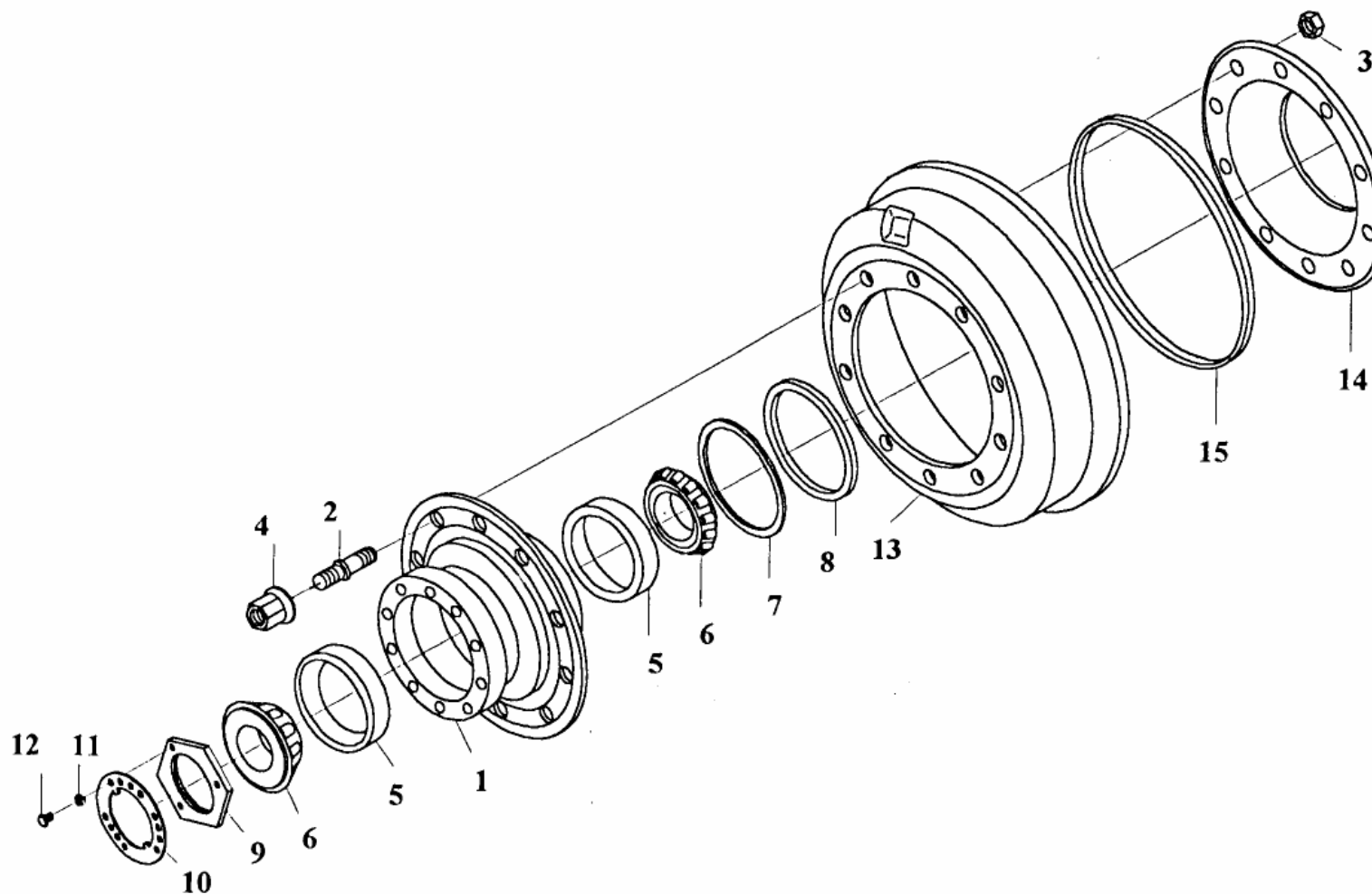
后桥系统 / REAR AXLE SYSTEM

24-36

序号 No.	件号 Part No.	数量 Quantity	名称 Name	规格 Specification	适用产品 Products Applied	备注 Remark
10	99000340057	1	间隙调整臂总成 (右) Clearance Adjusting Arm Assembly (RH)			
	99000340056	1	间隙调整臂总成 (左) Clearance Adjusting Arm Assembly (LH)			
	AZ9100340065	1	自动间隙调整臂 (右) Automatic Clearance Adjusting Arm Assembly (RH)			
	AZ9100340066	1	自动间隙调整臂 (左) Automatic Clearance Adjusting Arm Assembly (LH)			
11	DZ9100340017	2	衬套 Bushing			
12	99014340041	2	凸轮轴支架 Camshaft Bracket			
13	880340031	按需 On-Demand	调整垫片 Adjusting Shim			
	880340032	按需 On-Demand	调整垫片 Adjusting Shim			
	880340033	按需 On-Demand	调整垫片 Adjusting Shim			
	880340034	按需 On-Demand	调整垫片 Adjusting Shim			
14	Q151B1440	2	六角头螺栓 Hexagon Head Bolt			
15	Q151B1490	2	六角头螺栓 Hexagon Head Bolt			

457 单桥后轮毂及制动鼓总成装置图
457 SINGLE AXLE REAR HUB AND BRAKE DRUM ASSEMBLY

24-G



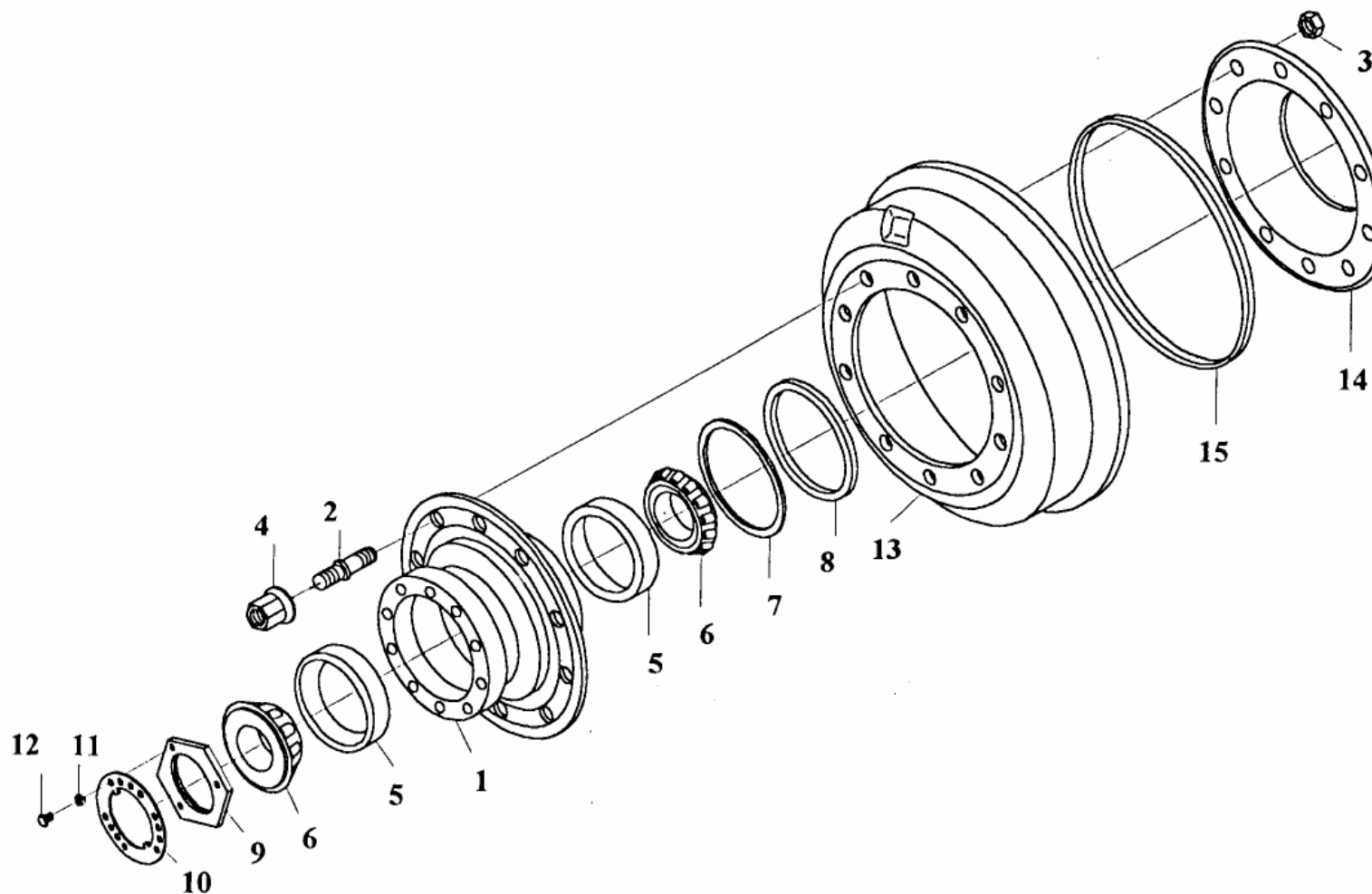
后桥系统 / REAR AXLE SYSTEM

24-38

序号 No.	件号 Part No.	数量 Quantity	名称 Name	规格 Specification	适用产品 Products Applied	备注 Remark
1	3104011-A0A	2	后轮毂 Rear Hub			
2	3104051-4EB1	20	柱螺栓 Stud Bolt			
3	CQ34120	20	螺母—紧固后制动鼓 Nut-Fastening Rear Brake Drum			
4	7819E-1	2	后轮毂轴承外圈 Rear Hub Bearing Outer Ring			
5	3103070-4E	20	车轮螺母与垫圈总成 Wheel Nut And Washer Assembly			
6	7819E-2	2	后轮毂轴承内圈总成 Rear Hub Bearing Inner Ring Assembly			
7	3104021-4E	2	后轮毂油封座圈 Rear Hub Oil Seal Seat Washer			
8	3104045-4E	2	后轮毂油封 Rear Hub Oil Seal			
9	2401053-4E	2	调整螺母—轮毂轴承 Adjusting Nut-Hub Bearing			
10	2401058-4E	2	锁紧垫圈—轮毂轴承螺母 Lock Washer-Hub Bearing Nut			
11	Q40308	2	弹簧垫圈 Spring Washer			
12	Q150B0816	2	螺栓 Bolt			
13	3502571-4E	2	后制动鼓 Rear Brake Drum			
14	3502061-4E	2	后制动挡油盘 Rear Brake Oil Slinger			

457 单桥后轮毂及制动鼓总成装置图
457 SINGLE AXLE REAR HUB AND BRAKE DRUM ASSEMBLY

24-G



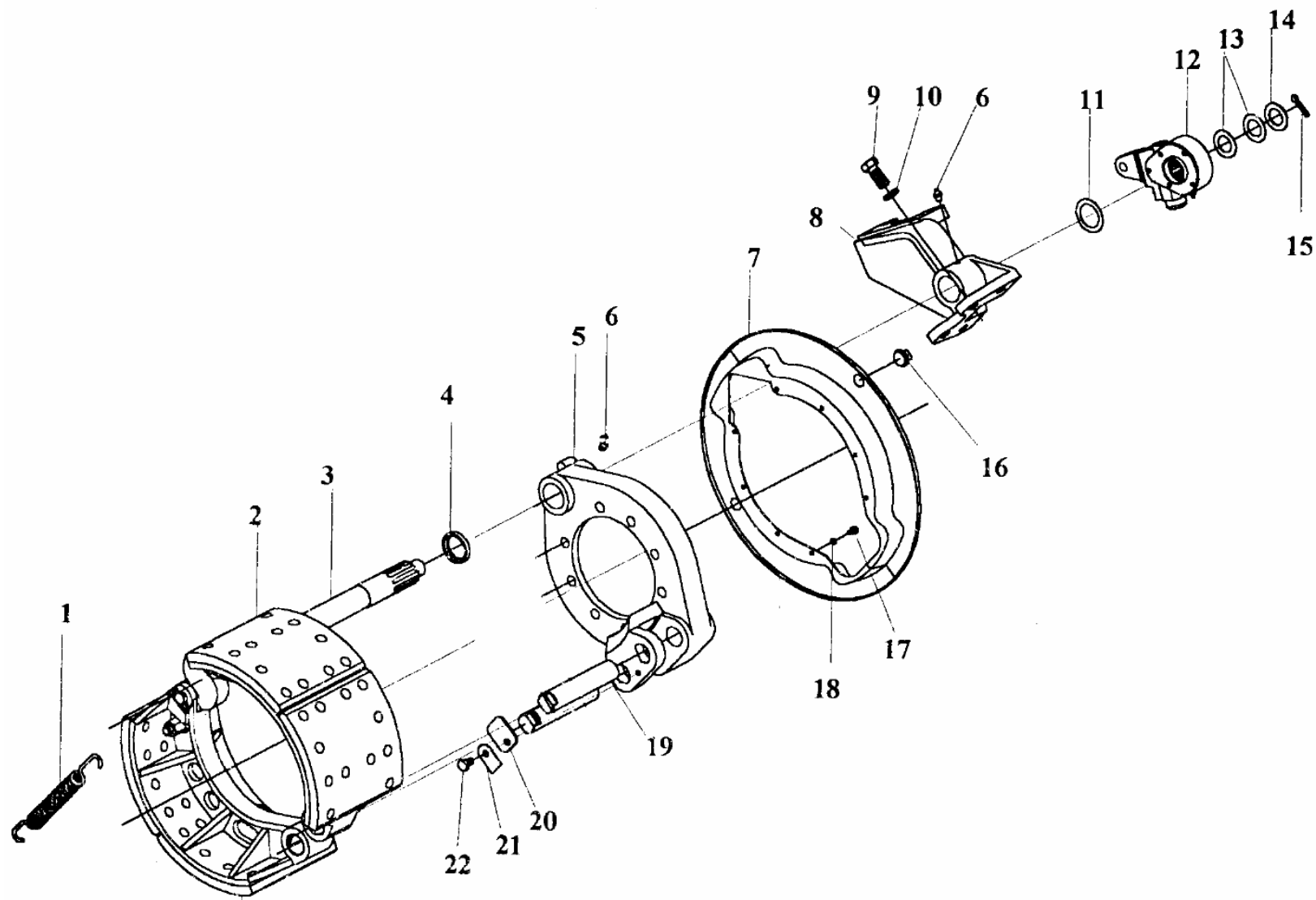
后桥系统 / REAR AXLE SYSTEM

24-40

序号 No.	件号 Part No.	数量 Quantity	名称 Name	规格 Specification	适用产品 Products Applied	备注 Remark
15	3502063-4E	2	填密环 - 后制动挡油盘 Packing Ring-Rear Brake Oil Slinger			

457 单桥制动器总成装置图 / 457 SINGLE AXLE BRAKE ASSEMBLY

24-H



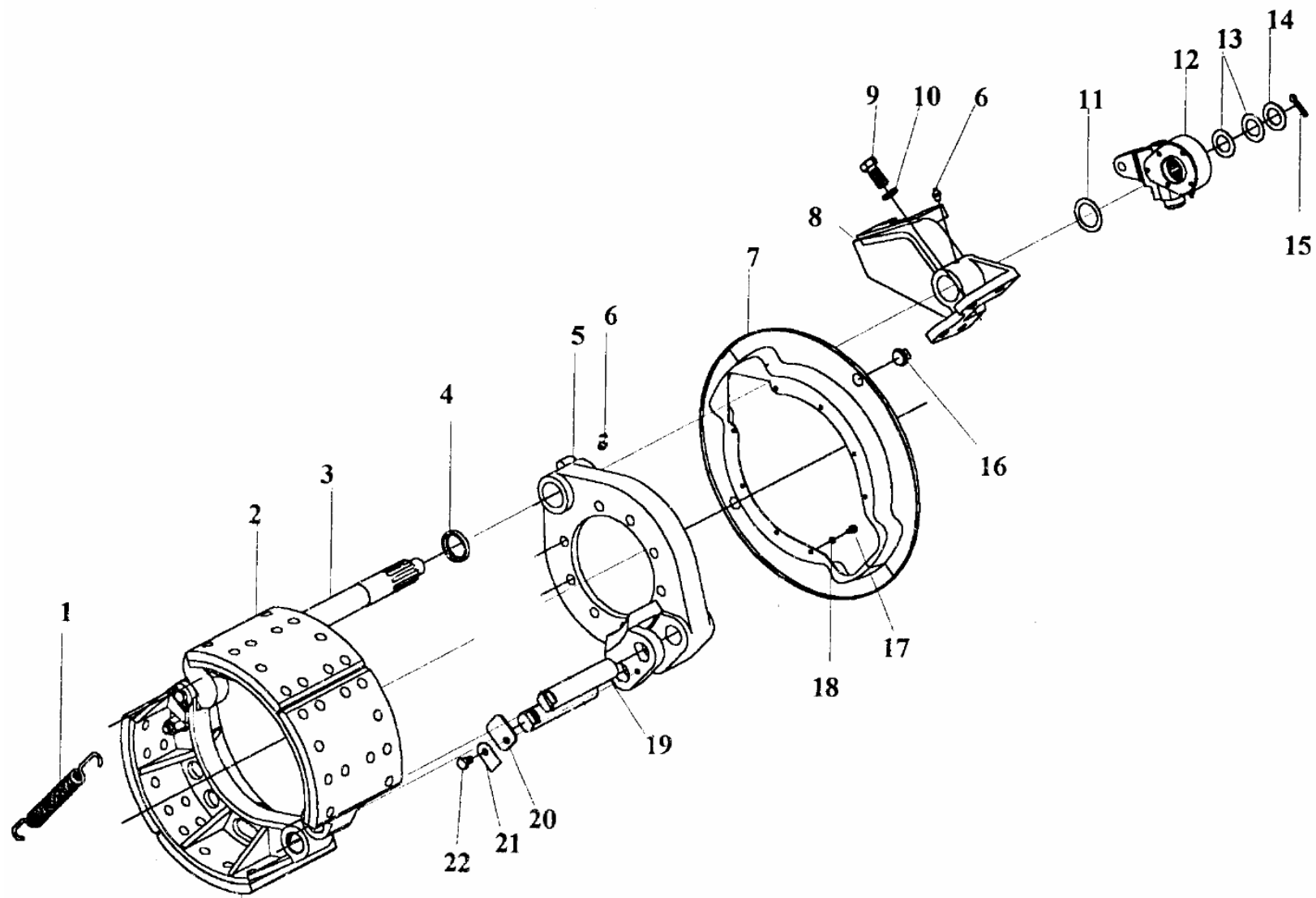
后桥系统 / REAR AXLE SYSTEM

24-42

序号 No.	件号 Part No.	数量 Quantity	名称 Name	规格 Specification	适用产品 Products Applied	备注 Remark
1	3502436-4E-A	2	回位弹簧 Return Spring			
2	3502375-1H-A	2	后左上(右下)制动蹄带滚轮总成 Rear Upper LH(Lower RH)Brake Shoe With Roller Assembly			
	3502380-1H-A	2	后左下(右上)制动蹄带滚轮总成 Rear Lower LH(Lower RH)Brake Shoe With Roller Assembly			
	3502407-4E-A	8	摩擦片—后制动蹄片 Lining –Rear Brake Shoe			
	3502391-4E-A	4	后制动蹄片 Rear Brake Shoe			
	3501396-4E	4	衬套—制动蹄片 Bushing-Brake Shoe			
	3501408-4E	96	铆钉 Rivet			
3	3502151-1H-A	1	后左制动凸轮轴 Rear Brake Camshaft LH			
	3502152-1H-A	1	后右制动凸轮轴 Rear Brake Camshaft RH			
4	3501134-4E	2	凸轮轴垫圈 Camshaft Washer			
5	3502025-4E-A	2	后制动器底板总成 Rear Brake Bottom Plate Assembly			
6	CQ70001	2	滑脂嘴 Grease Nipple			
7	3502031-1H-A	2	后制动左上(右下)挡尘盘 Rear Brake Upper LH(Lower RH)Dust Guard Dish			

457 单桥制动器总成装置图 / 457 SINGLE AXLE BRAKE ASSEMBLY

24-H



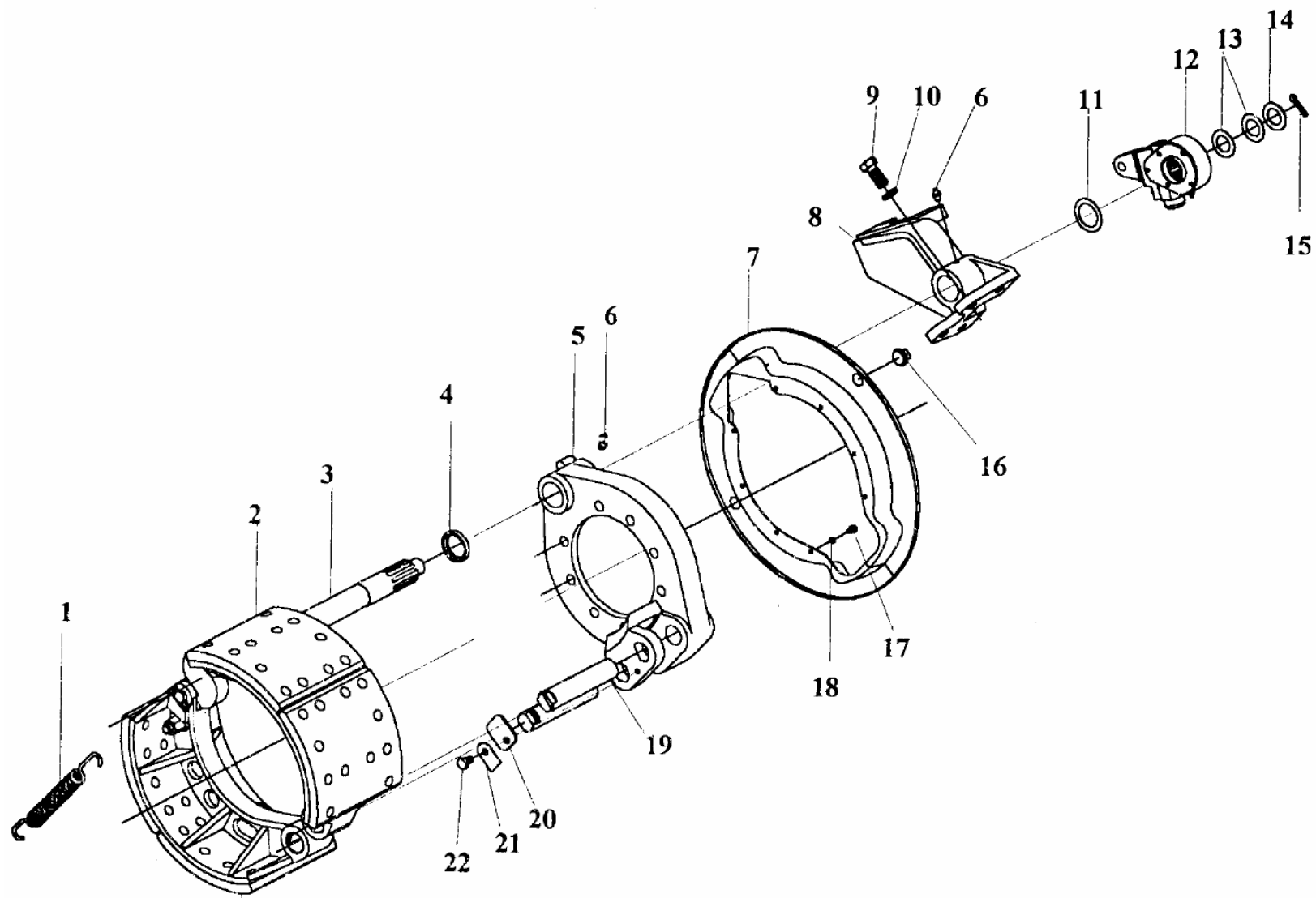
后桥系统 / REAR AXLE SYSTEM

24-44

序号 No.	件号 Part No.	数量 Quantity	名称 Name	规格 Specification	适用产品 Products Applied	备注 Remark
7	3502032-1H-A	2	后制动左下(右上)挡尘盘 Rear Brake Lower LH(Upper RH) Dust Guard Dish			
8	3502125-1H-EQ	1	后左弹簧制动室支架总成 Rear Spring Brake Chamber Bracket Assembly LH			
	3502130-1H-EQ	1	后右弹簧制动室支架总成 Rear Spring Brake Chamber Bracket Assembly RH			
9	CQ1501440	8	螺栓 Bolt			
10	Q40314	8	弹簧垫圈 Spring Washer			
11	3501156-01	2	凸轮轴调整垫圈 Camshaft Adjusting Washer			
12	3502205-1H	1	后左制动调整臂总成 Rear Brake Adjusting Arm Assembly LH			
	3502210-1H	1	后右制动调整臂总成 Rear Brake Adjusting Arm Assembly RH			
13	3501157-01	2	凸轮轴调整垫片 Camshaft Adjusting Shim			
14	3501158-01	2	凸轮轴垫片 Camshaft Shim			
15	Q5006035	2	开口销 Cotter Pin			
16	3501034-02	4	堵塞 - 挡尘盘检查孔 Plug-Dust Guard Dish Inspection Hole			
17	CQ1500610	16	螺栓 - 紧固挡尘盘于后制动底板用 Bolt-For Tightening Dust Guard Dish And Rear Brake Bottom Plate			

457 单桥制动器总成装置图 / 457 SINGLE AXLE BRAKE ASSEMBLY

24-H



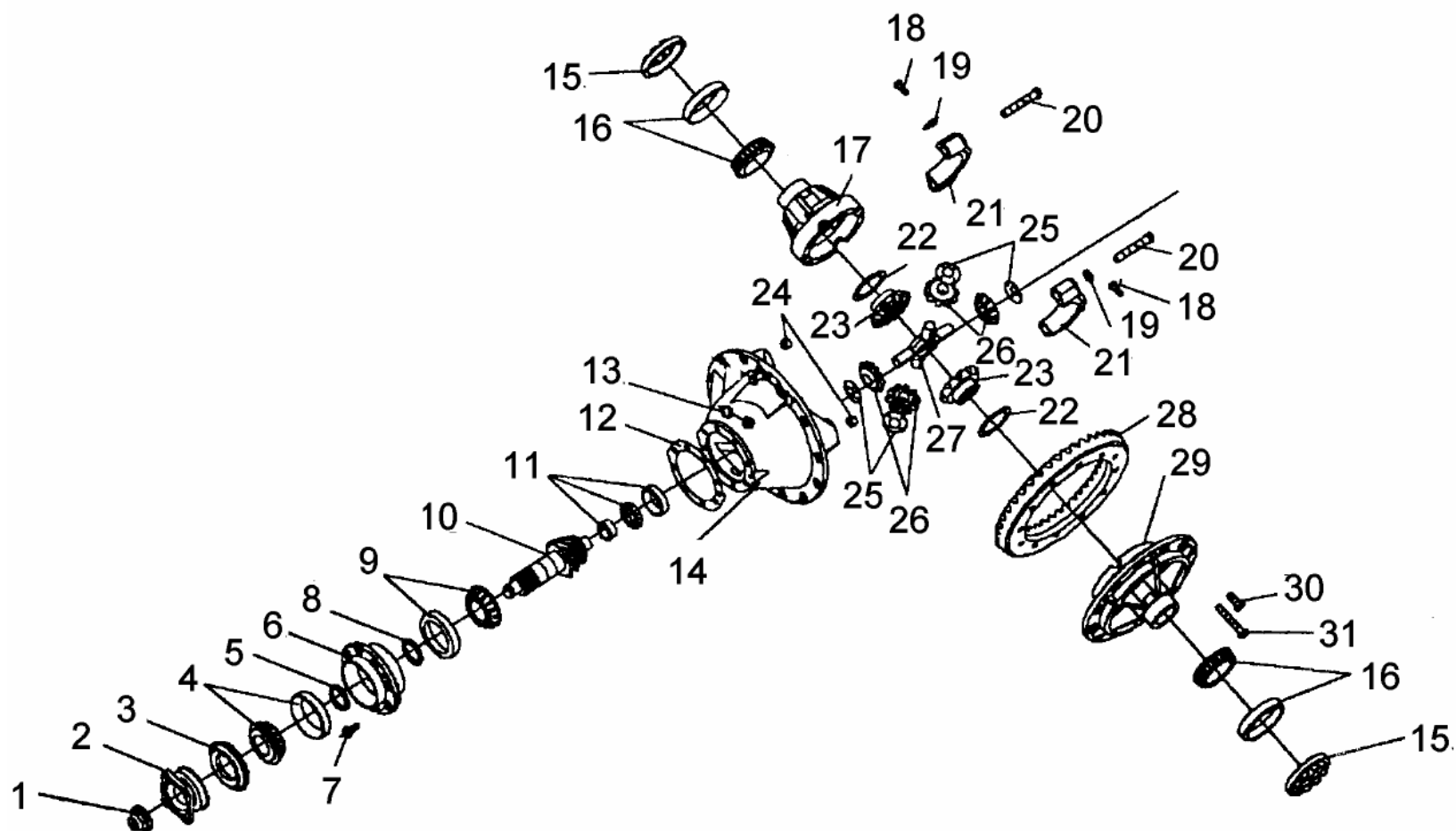
后桥系统 / REAR AXLE SYSTEM

24-46

序号 No.	件号 Part No.	数量 Quantity	名称 Name	规格 Specification	适用产品 Products Applied	备注 Remark
18	Q40306	16	弹簧垫圈 Spring Washer			
19	3502082-4E	4	后制动蹄片轴 Rear Brake Shoe Shaft			
20	3501086-4E	2	蹄片轴挡板 Shoe Shaft Baffle			
21	3501087-4E	2	锁片 - 蹄片轴 Lock Plate-Shoe Shaft			
22	CQ1501016	2	螺栓 - 紧固蹄片轴挡板用 Bolt-For Tightening Shoe Shaft Baffle			

457 单桥主减速器总成装置图 / 457 SINGLE AXLE MAIN REDUCER ASSEMBLY

24-1



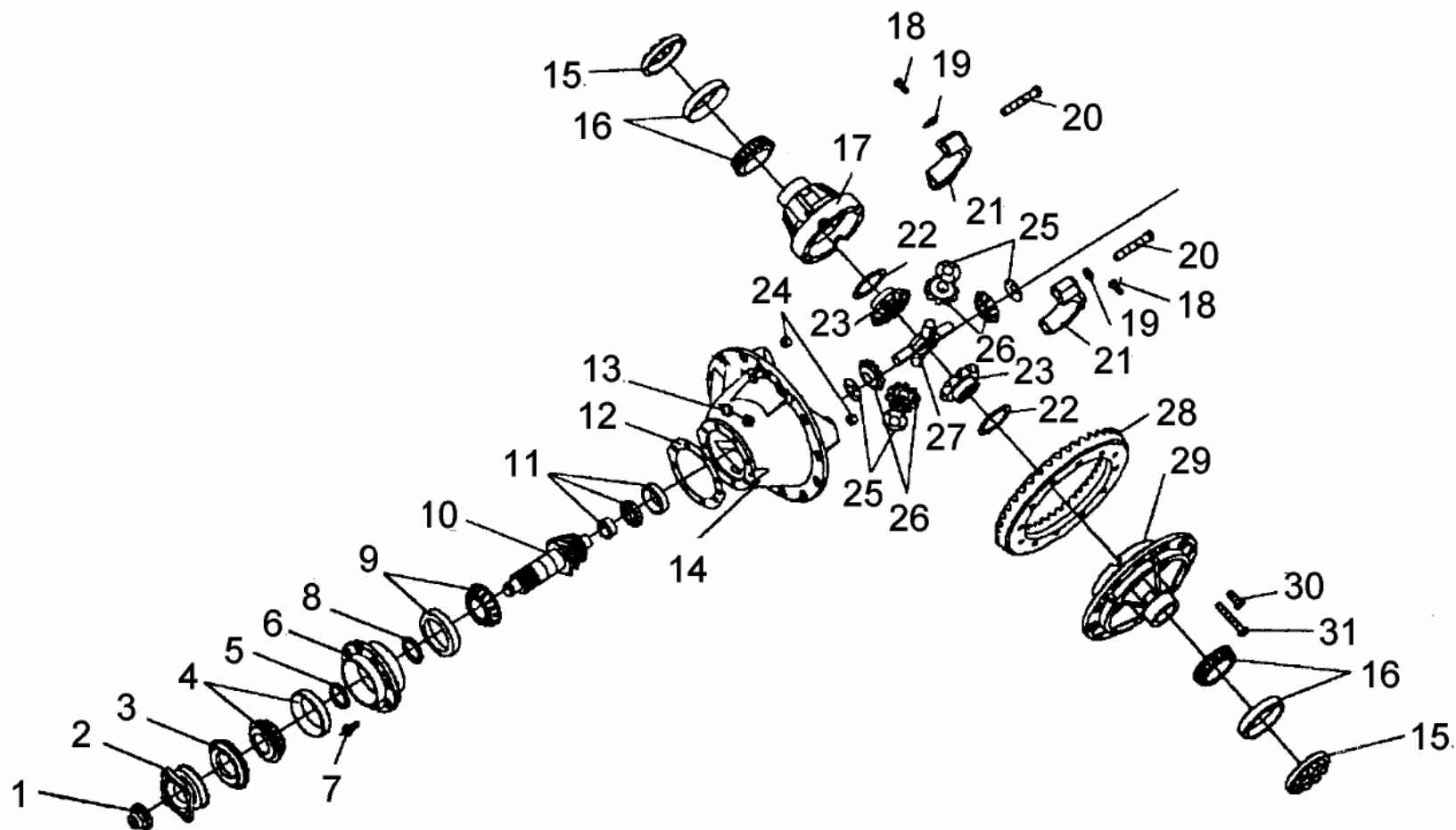
后桥系统 / REAR AXLE SYSTEM

24-48

序号 No.	件号 Part No.	数量 Quantity	名称 Name	规格 Specification	适用产品 Products Applied	备注 Remark
	2402010D1HB1	1	后桥主减总成 (I=4.444) Rear Axle Main Reducer Assembly (I=4.444)			
	2402010AA1A	1	后桥主减总成 (I=4.875) Rear Axle Main Reducer Assembly (I=4.875)			
	2402010F1HB1	1	后桥主减总成 (I=5.286) Rear Axle Main Reducer Assembly (I=5.286)			
	2402010G1HB1	1	后桥主减总成 (I=5.833) Rear Axle Main Reducer Assembly (I=5.833)			
	2402010H1HB1	1	后桥主减总成 (I=6.33) Rear Axle Main Reducer Assembly (I=6.33)			
1	2402071D1H	1	螺母 - 主动锥齿轮凸缘 Nut-Drive Bevel Gear Flange			
2	2402065D1H	1	主动锥齿轮凸缘总成 Drive Bevel Gear Flange Assembly			
3	2402055D1H	1	油封总成 - 主动锥齿轮 Oil Seal Assembly-Drive Bevel Gear			
4	27713E	1	圆锥滚子轴承 - 主动锥齿轮 Tapered Roller Bearing-Drive Bevel Gear			
5	2402091D1H-92D1H	1	调整垫片 - 主动锥齿轮轴承 Adjusting Shim-Drive Bevel Gear Bearing			
6	2402049D1H	1	轴承座 - 主动锥齿轮 Bearing Seat-Drive Bevel Gear			
7	CQ1501440	8	螺栓 - 紧固主动锥齿轮轴承座 Bolt-For Tightening Drive Bevel Gear Bearing Seat			
8	2402081D1H-89D1H	1(选) 1(Option)	调整垫片 - 主动锥齿轮 Adjusting Shim-Drive Bevel Gear			
9	9278/9220	1	圆锥滚子轴承 - 主动锥齿轮 Tapered Roller Bearing-Drive Bevel Gear			

457 单桥主减速器总成装置图 / 457 SINGLE AXLE MAIN REDUCER ASSEMBLY

24-1



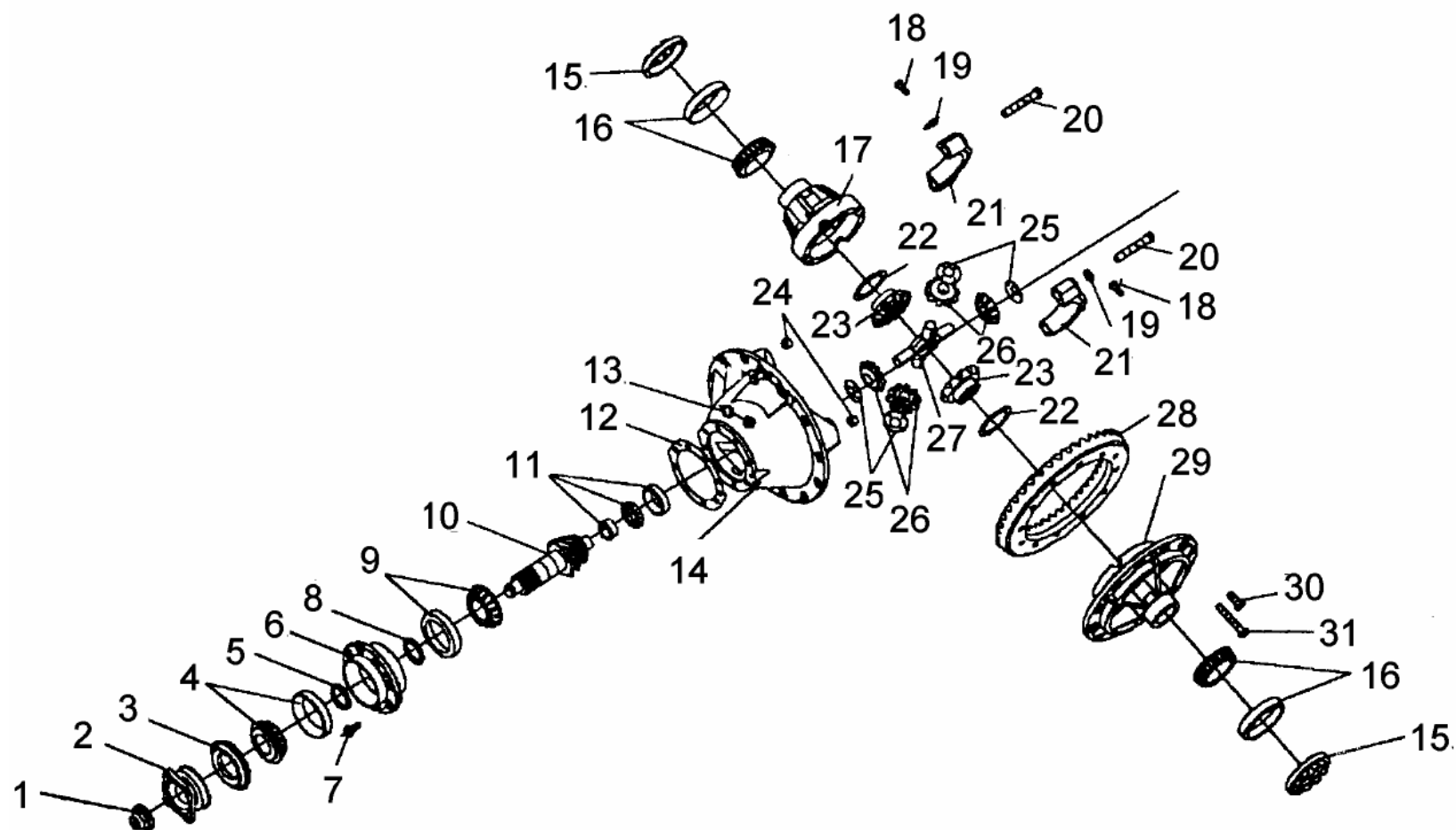
后桥系统 / REAR AXLE SYSTEM

24-50

序号 No.	件号 Part No.	数量 Quantity	名称 Name	规格 Specification	适用产品 Products Applied	备注 Remark
10	2402036D/E/F/G/H1H	1	主动锥齿轮 (i=4.444/4.875/5.286/5.833/6.33) Drive Bevel Gear(i=4.444/4.875/5.286/5.833/6.3)			
11	42708K	1	无保持架圆柱滚子轴承总成 Cylindrical Roller Bearing W/o Retainer Assembly			
12	2402097-4E~98-4E	按需 On-Demand	调整垫片 - 主动锥齿轮轴承座 Adjusting Shim-Drive Bevel Gear Bearing Seat			
13	Q62510	1	加油螺塞 Filling Plug			
14	2402018D1H	1	减速器壳 Reducer Case			
15	2403071D1H	2	调整环 - 差速器轴承 Adjusting Ring-Differential Bearing			
16	594A/592A	2	差速器圆锥滚子轴承总成 Differential Tapered Roller Bearing Assembly			
17	2403018D1H	1	右壳 - 差速器 Case RH-Differential			
18	Q150B1220	2	支承螺栓 - 差速器轴承盖 Support Bolt-Differential Bearing Cap			
19	Q40312	2	弹簧垫圈 Spring Washer			
20	2402023D1H	4	螺栓 - 紧固差速器轴承盖 Bolt-For Tightening Differential Bearing Cap			
21	2402019D1H	2	盖 - 差速器轴承 Cap-Differential Bearing			
22	2403053D1H	2	垫片 - 半轴齿轮 Shim-Half-Shaft Gear			
23	2403051D1HB1	2	半轴齿轮 Half-Shaft Gear			

457 单桥主减速器总成装置图 / 457 SINGLE AXLE MAIN REDUCER ASSEMBLY

24-1



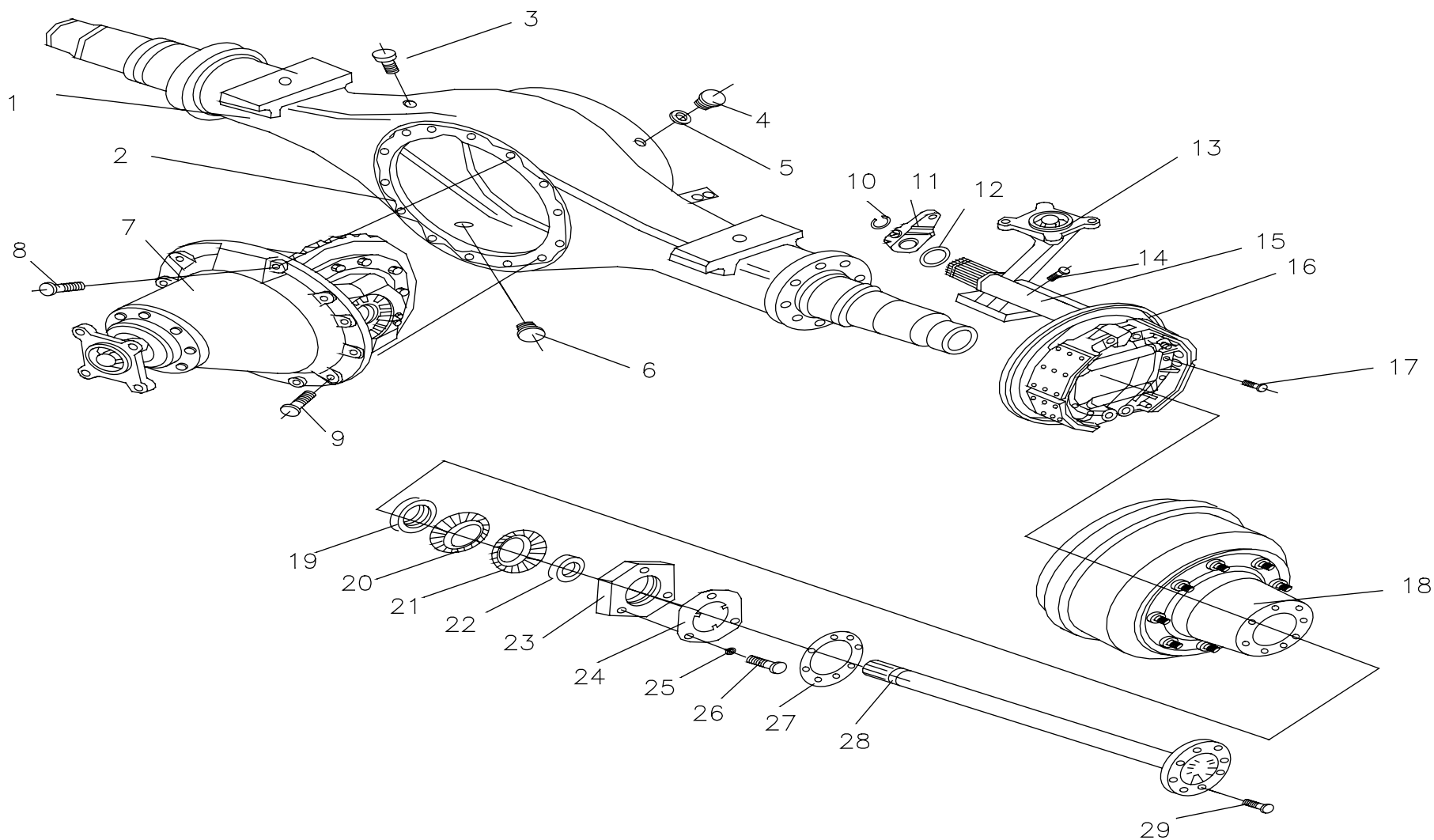
后桥系统 / REAR AXLE SYSTEM

24-52

序号 No.	件号 Part No.	数量 Quantity	名称 Name	规格 Specification	适用产品 Products Applied	备注 Remark
24	2402024D1H	4	定位销 - 差速器轴承盖 Locating Pin-Differential Bearing Cap			
25	2403058D1H	4	垫片 - 行星齿轮 Shim-Planetary Gear			
26	2403056D1H	4	行星齿轮 Planetary Gear			
27	2403061D1H	1	十字轴 - 差速器 Spider -Differential			
28	2402037D/E/F/G/ H1HB1	1	从动锥齿轮 (i=4.444/4.875/5.286/5.833/6.33) Driven Bevel Gear(i=4.444/4.875/5.286/5.833/6.33)			
29	2403017D1HB1	1	左壳 - 差速器 Case LH-Differential			
	2403017G1HB1	1	左壳 - 差速器 (仅用于 5.833 和 6.33) Case LH-Differential(Only For 5.833 And 6.33)			
30	2402063D1HB1	12	螺栓 - 紧固从动锥齿轮与差速器左壳 Bolt-For Tightening Driven Bevel Gear And Differential Case LH			
31	2403023D1H	12	螺栓 - 紧固差速器壳 Bolt-For Tightening Differential Case			

457 单后桥总成装置图 / 457 SINGLE REAR AXLE ASSEMBLY

24-J



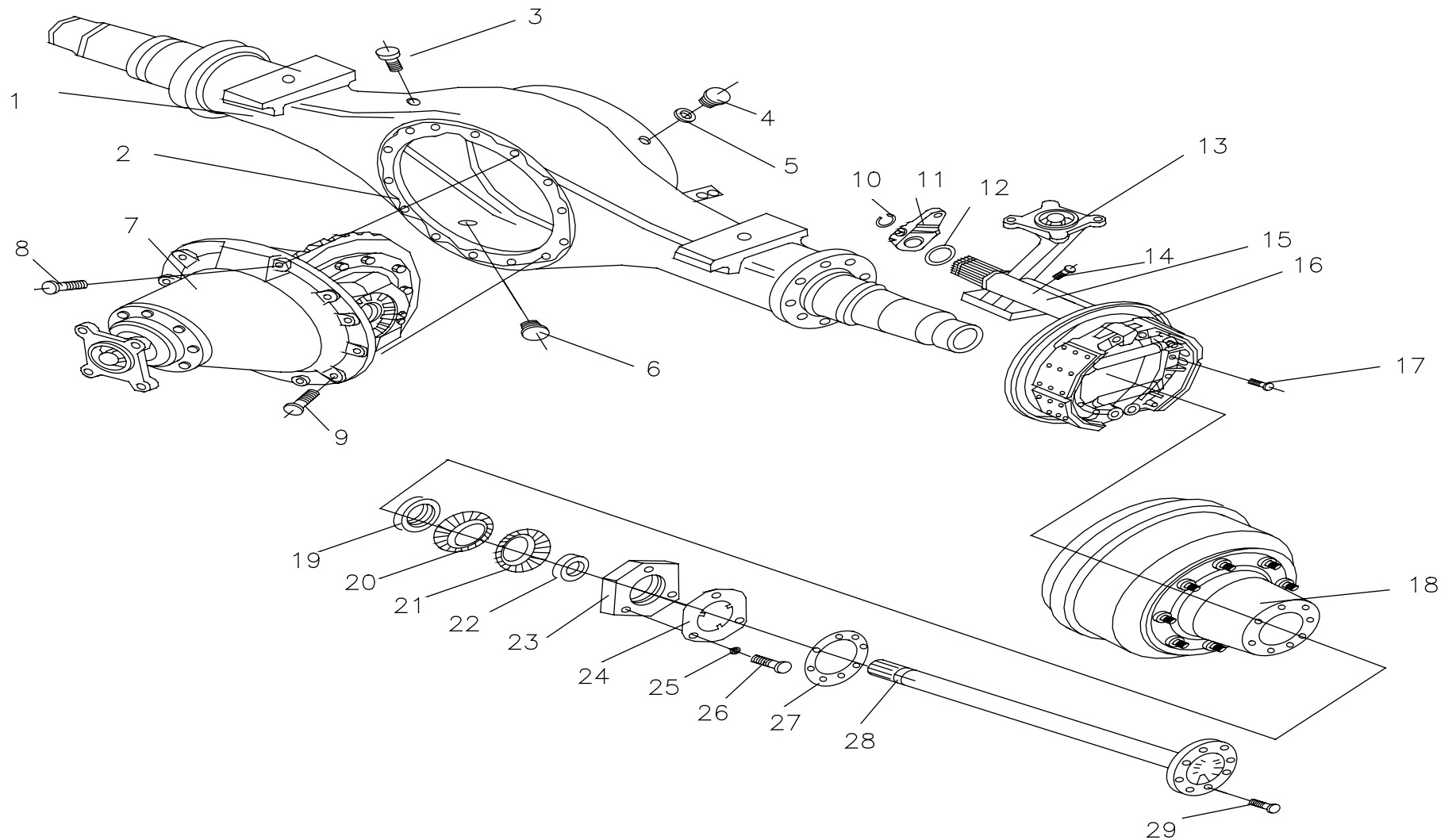
后桥系统 / REAR AXLE SYSTEM

24-54

序号 No.	件号 Part No.	数量 Quantity	名称 Name	规格 Specification	适用产品 Products Applied	备注 Remark
1	2401010-HL05	1	后桥壳总成 Rear Axle Case Assembly			
2			液态平面密封胶 Liquid Face Seal Packing			
3	T901	1	通气塞总成 Ventilation Plug Assembly			
4	CQ61803	1	螺塞—油面孔 Plug-Ullage Hole			
5		已取消 Canceled	密封垫圈—螺塞（油面孔） Seal Washer-Plug(Ullage Hole)			
6	Q61304	1	方槽锥形螺塞 Square Groove Tapered Plug			
7	2402010D/E/F/G1HB1	1	后桥主减速器与锥齿轮差速器总成 Rear Axle Main Reducer And Bevel Gear Differential Assembly		i=4.444/4.875/5.286/5.833/6.33	
8	CQ15016100T	4	螺栓—紧固主减速器于桥壳上 Bolt-For Tightening Main Reducer On Axle Case			
9	CQ1501640T	8	螺栓—紧固主减速器于桥壳上 Bolt-For Tightening Main Reducer On Axle Case			
10	Q5006035	2	开口销 Cotter Pin			
11	3502205-1H	1	后左制动调整臂总成 Rear Brake Adjusting Arm Assembly LH			
	3502210-1H	1	后右制动调整臂总成 Rear Brake Adjusting Arm Assembly RH			
12	3501134-4E	1	凸轮轴垫圈 Camshaft Washer			
	3501156-01	1	凸轮轴调整垫圈 Camshaft Adjusting Washer			

457 单后桥总成装置图 / 457 SINGLE REAR AXLE ASSEMBLY

24-J



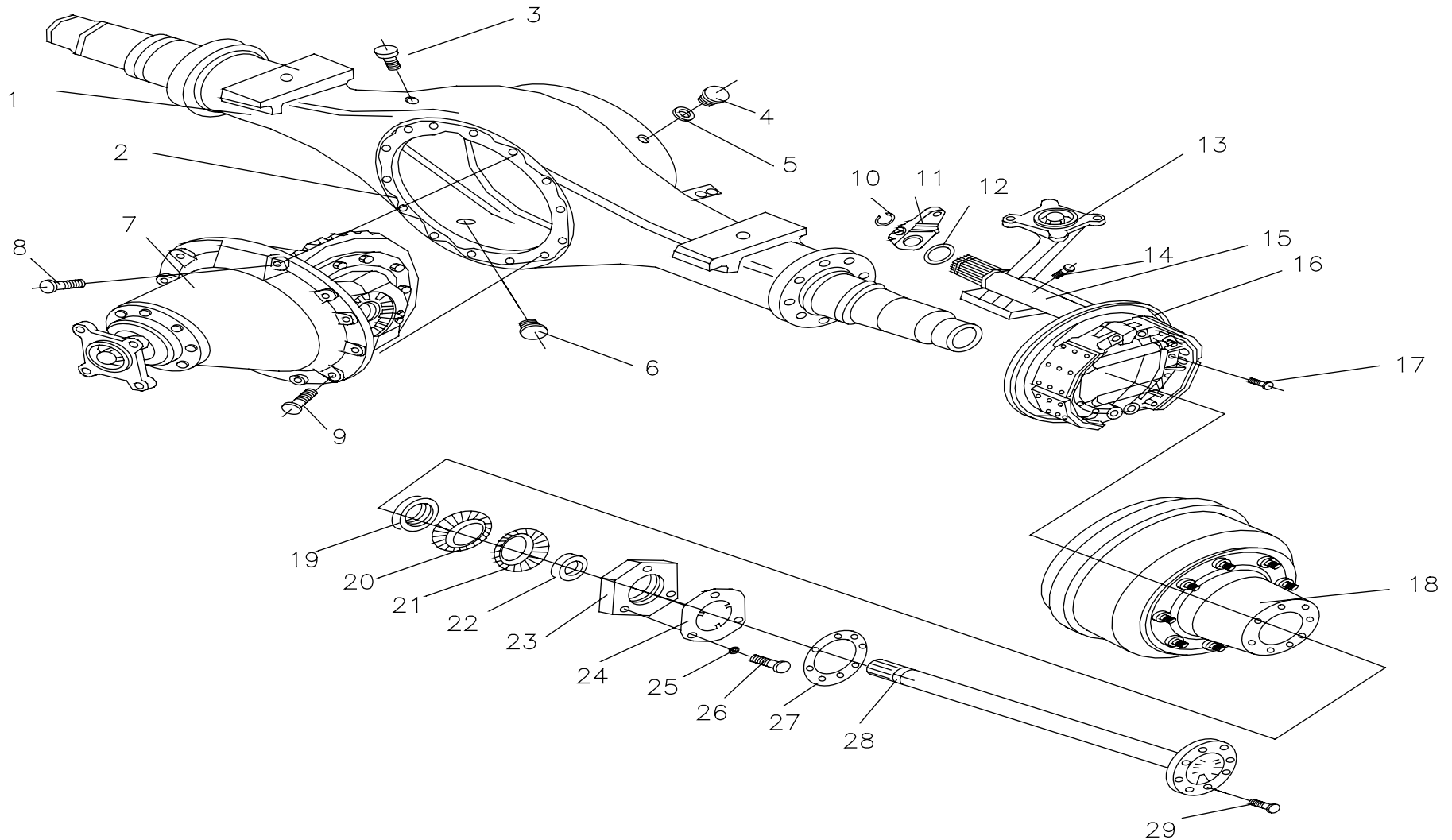
后桥系统 / REAR AXLE SYSTEM

24-56

序号 No.	件号 Part No.	数量 Quantity	名称 Name	规格 Specification	适用产品 Products Applied	备注 Remark
12	3501157-01	2	凸轮轴调整垫片 Camshaft Adjusting Shim			
	3501158-01	2	凸轮轴垫片 Camshaft Shim			
13	3502125-1H	1	后左弹簧制动室支架总成 Rear Spring Brake Chamber Bracket Assembly LH			
	3502130-1H	1	后右弹簧制动室支架总成 Rear Spring Brake Chamber Bracket Assembly RH			
14	CQ1501440	8	螺栓—紧固弹簧制动室支架用 Bolt-For Tightening Spring Brake Chamber Bracket			
15	3502151-1H	1	后左制动凸轮轴 Rear Brake Camshaft LH			
	3502152-1H	1	后右制动凸轮轴 Rear Brake Camshaft RH			
16	3502020-1H	2	后制动底板及蹄片带防尘罩总成 Rear Brake Bottom Plate And Shoe W/ Dust Cover Assembly			
	3502436-4E	2	回位弹簧 Return Spring			
17	CQ1501635T	16	螺栓—联接桥壳与制动器底板用 Bolt-For Coupling Axle Case And Brake Bottom Plate			
18	3104910-A1A	2	后轮轮毂及制动鼓总成 Rear Wheel Hub And Brake Drum Assembly			
19	3104021-4E	2	后轮毂油封座圈 Rear Hub Oil Seal Seat Washer			
20	7819E	2	后轮毂轴承总成 Rear Hub Bearing Assembly			

457 单后桥总成装置图 / 457 SINGLE REAR AXLE ASSEMBLY

24-J



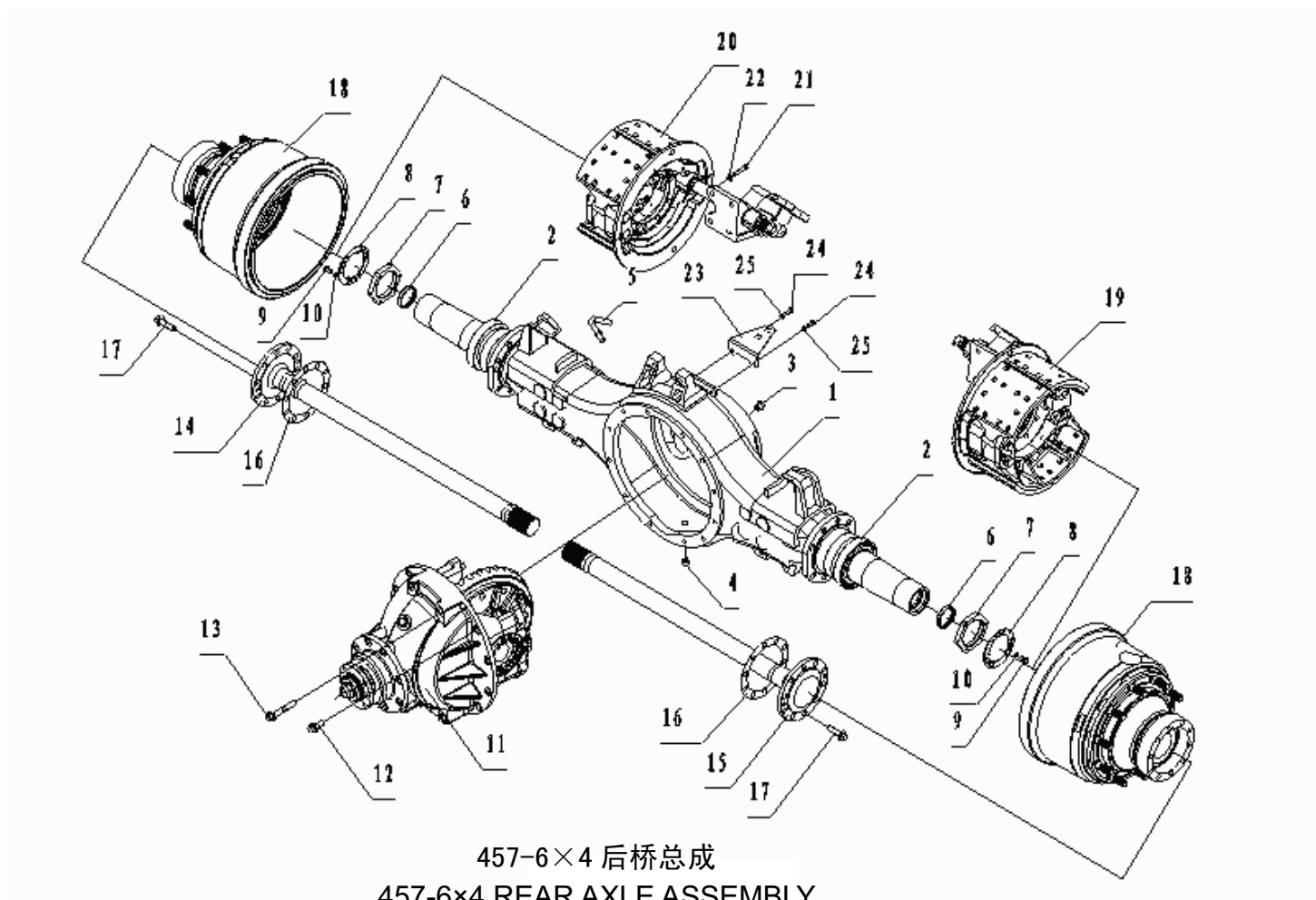
后桥系统 / REAR AXLE SYSTEM

24-58

序号 No.	件号 Part No.	数量 Quantity	名称 Name	规格 Specification	适用产品 Products Applied	备注 Remark
21	7819E	2	后轮毂轴承总成 Rear Hub Bearing Assembly			
22	2403090D1H	2	半轴油封总成 Half-Shaft Oil Seal Assembly			
23	2401053-4E	2	调整螺母—轮毂轴承 Adjusting Nut-Hub Bearing			
24	2401058-4E	2	锁紧垫圈—轮毂轴承螺母 Lock Washer-Hub Bearing Nut			
25	Q150B0816	2	螺栓 Bolt			
26	Q40308	2	弹簧垫圈 Spring Washer			
27	2403084-4E	2	衬垫—后桥半轴 Gasket-Rear Axle Half-Shaft			
28	24 03081D1HB1	2	后桥半轴 Rear Axle Half-Shaft			
29	2403083-4E	20	后桥半轴螺栓 Rear Axle Half-Shaft Bolt			

457-6×4 后桥总成 / 457-6×4 REAR AXLE ASSEMBLY

24-K



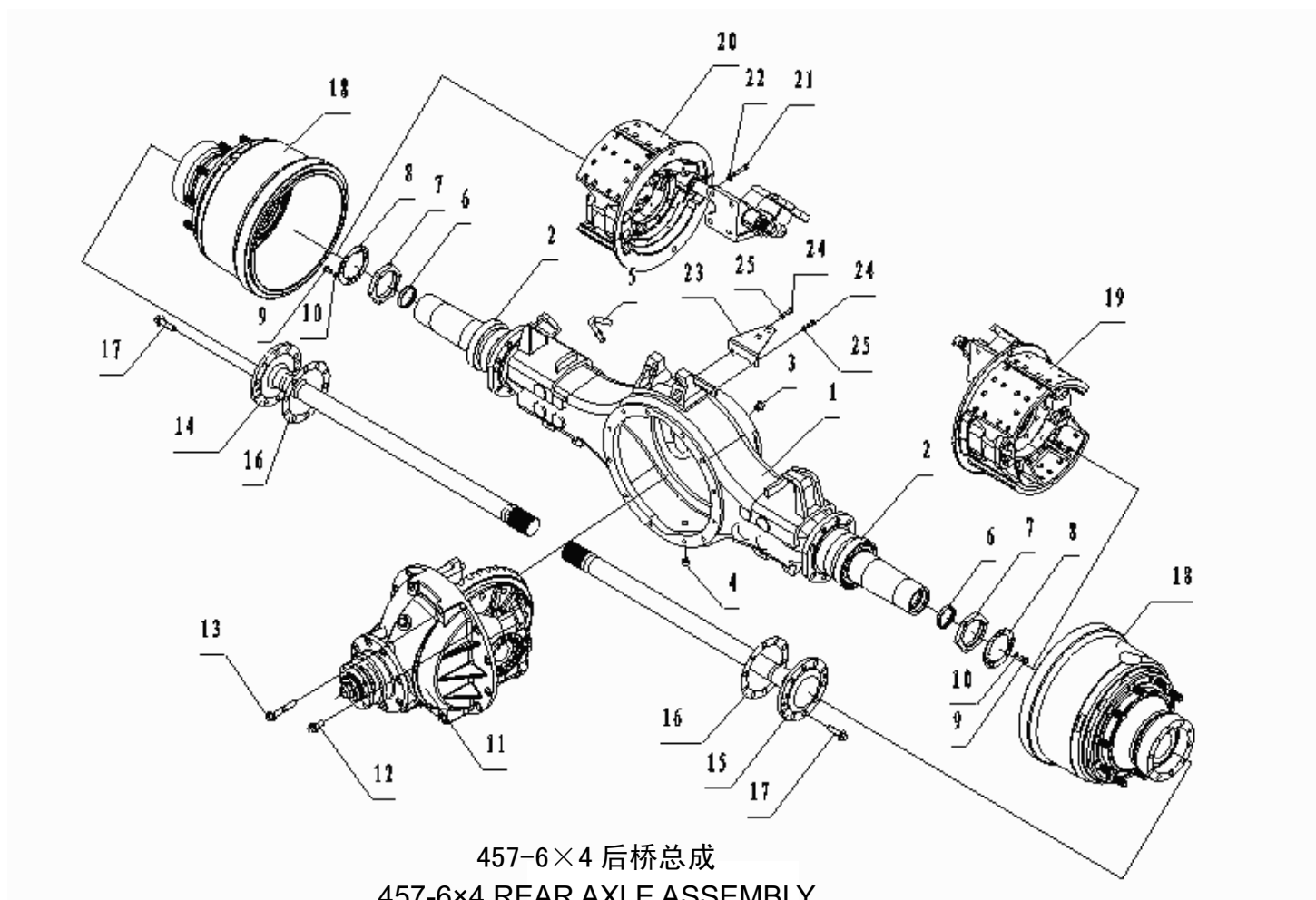
后桥系统 / REAR AXLE SYSTEM

24-60

序号 No.	件号 Part No.	数量 Quantity	名称 Name	规格 Specification	适用产品 Products Applied	备注 Remark
	Z2400010HL	1	后桥总成 Rear Axle Assembly		4.44,4.875,5.286,6.33	
1	Z2401010HL	1	后桥壳总成 Rear Axle Case Assembly			
2	W2401024B01D	2	后轮毂内轴承档圈 Rear Hub Inner Bearing Retainer			
3	CQ61804	1	螺塞 Plug			
4	Q61304	1	放油螺塞 Drain Screw			
5	SQ2401068B-A01	1	橡胶通气塞总成 Rubber Ventilation Plug Assembly			
6	2403093D1H	2	半轴油封总成 Half-Shaft Oil Seal Assembly			
7	2401053-4E	2	螺母 - 后轮毂轴承 Nut-Rear Hub Bearing			
8	2401058-4E	2	锁片 Lock Plate			
9	CQ1500816	6	螺栓 Bolt			
10	Q40308	6	弹簧垫圈 Spring Washer			
11	S2402010K5H	1	减速器及差速器总成 (4.44) Reducer And Differential Assembly (4.44)			
	S2402010L5H	1	减速器及差速器总成 (4.875) Reducer And Differential Assembly (4.875)			
	S2402010M5H	1	减速器及差速器总成 (5.286) Reducer And Differential Assembly (5.286)			

457-6×4 后桥总成 / 457-6×4 REAR AXLE ASSEMBLY

24-K



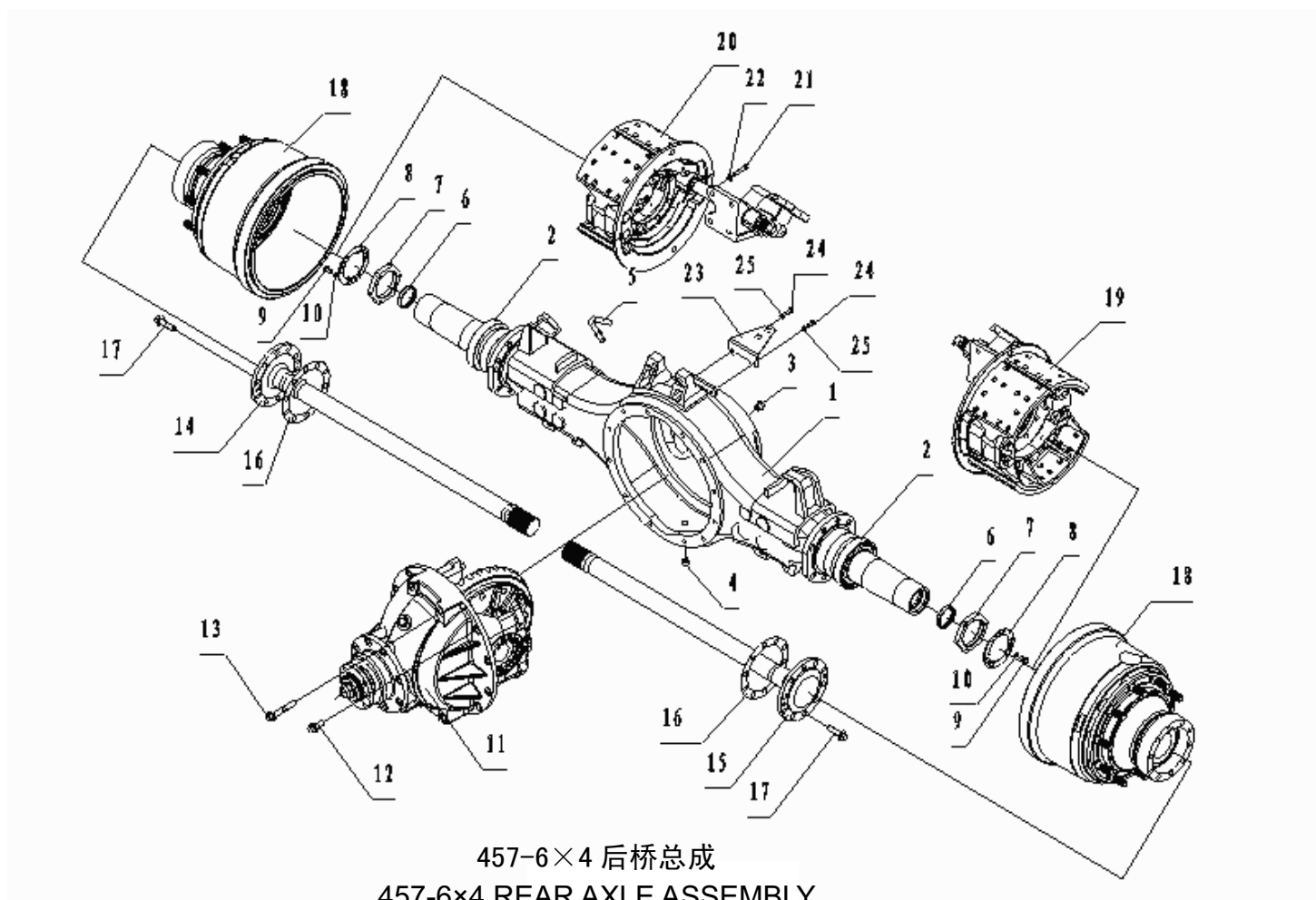
后桥系统 / REAR AXLE SYSTEM

24-62

序号 No.	件号 Part No.	数量 Quantity	名称 Name	规格 Specification	适用产品 Products Applied	备注 Remark
11	S2402010H5H	1	减速器及差速器总成 (5.833) Reducer And Differential Assembly(5.833)			
	S2402010P5H	1	减速器及差速器总成 (6.33) Reducer And Differential Assembly(6.33)			
12	2402016D1H	8	螺栓 - 紧固减速器用 Bolt-For Tightening Reducer			
13	2402017D1H	4	螺栓 - 紧固减速器用 Bolt-For Tightening Reducer			
14	S2403082K5HB1	1	右半轴 Half-Shaft RH			
15	S2403081K5HB1	1	左半轴 Half-Shaft LH			
16	2403084-4E	2	密封垫 - 半轴 Seal Shim-Half-Shaft			
17	2403083-4E	20	螺栓 - 半轴 Bolt-Half-Shaft			
18	SQ3502565B01D	2	后制动鼓总成 Rear Brake Drum Assembly			
19	W3502010B05D	1	后左制动器总成 Rear Brake Assembly LH			
20	W3502020B05D	1	后右制动器总成 Rear Brake Assembly RH			
21	CQ1501435	8	螺栓 Bolt			
22	Q40314	8	弹簧垫圈 Spring Washer			
23	3506328-D96F	1	后桥气管支架 Rear Axle Air Tube Bracket			

457-6×4 后桥总成 / 457-6×4 REAR AXLE ASSEMBLY

24-K



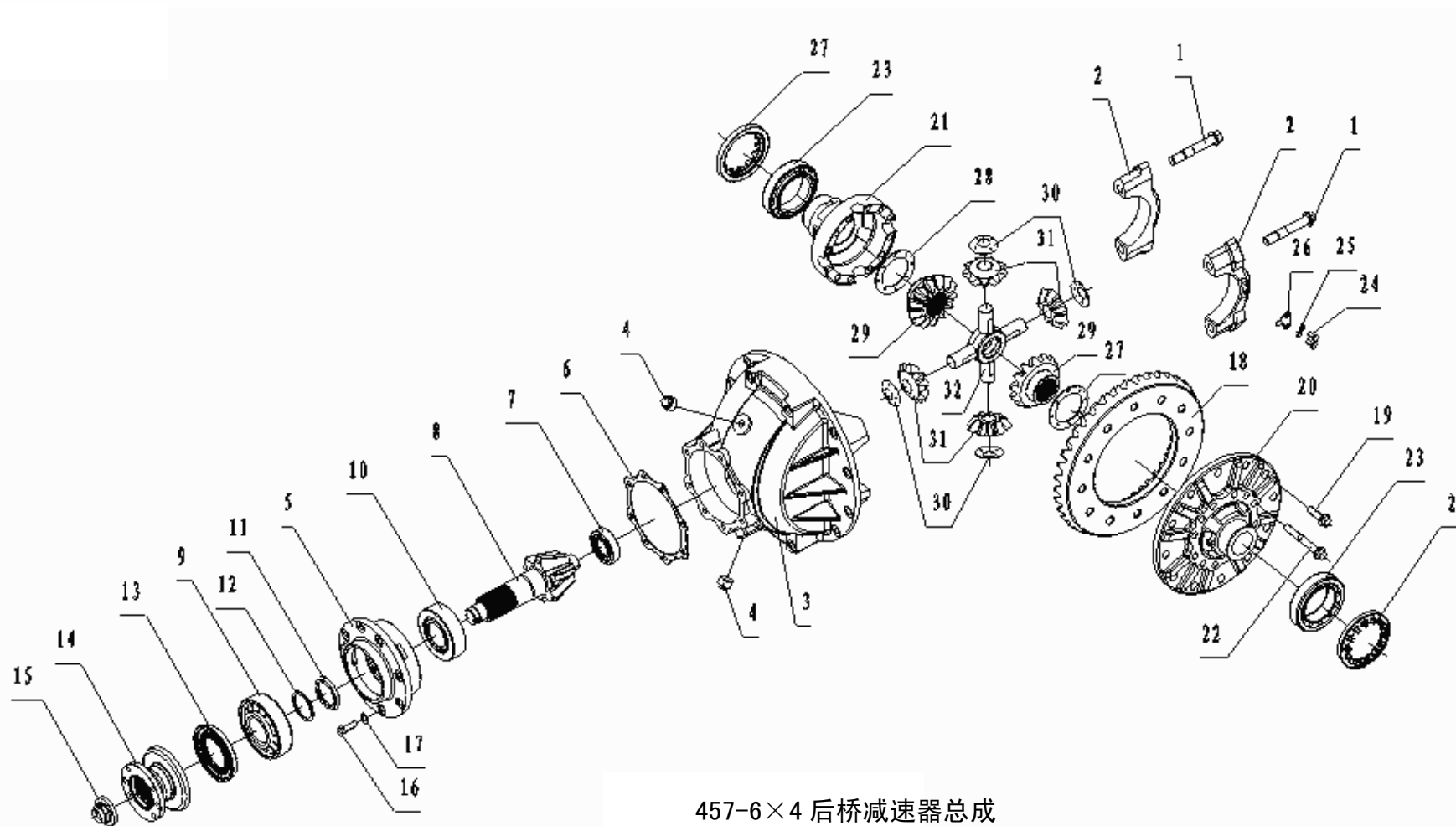
后桥系统 / REAR AXLE SYSTEM

24-64

序号 No.	件号 Part No.	数量 Quantity	名称 Name	规格 Specification	适用产品 Products Applied	备注 Remark
24	Q150B1018	2	螺栓 Bolt			
25	Q40310	2	弹簧垫圈 Spring Washer			

457-6×4 后桥减速器总成 / 457-6×4 REAR AXLE REDUCER ASSEMBLY

24-L



457-6×4 后桥减速器总成
457-6×4 REAR AXLE REDUCER ASSEMBLY

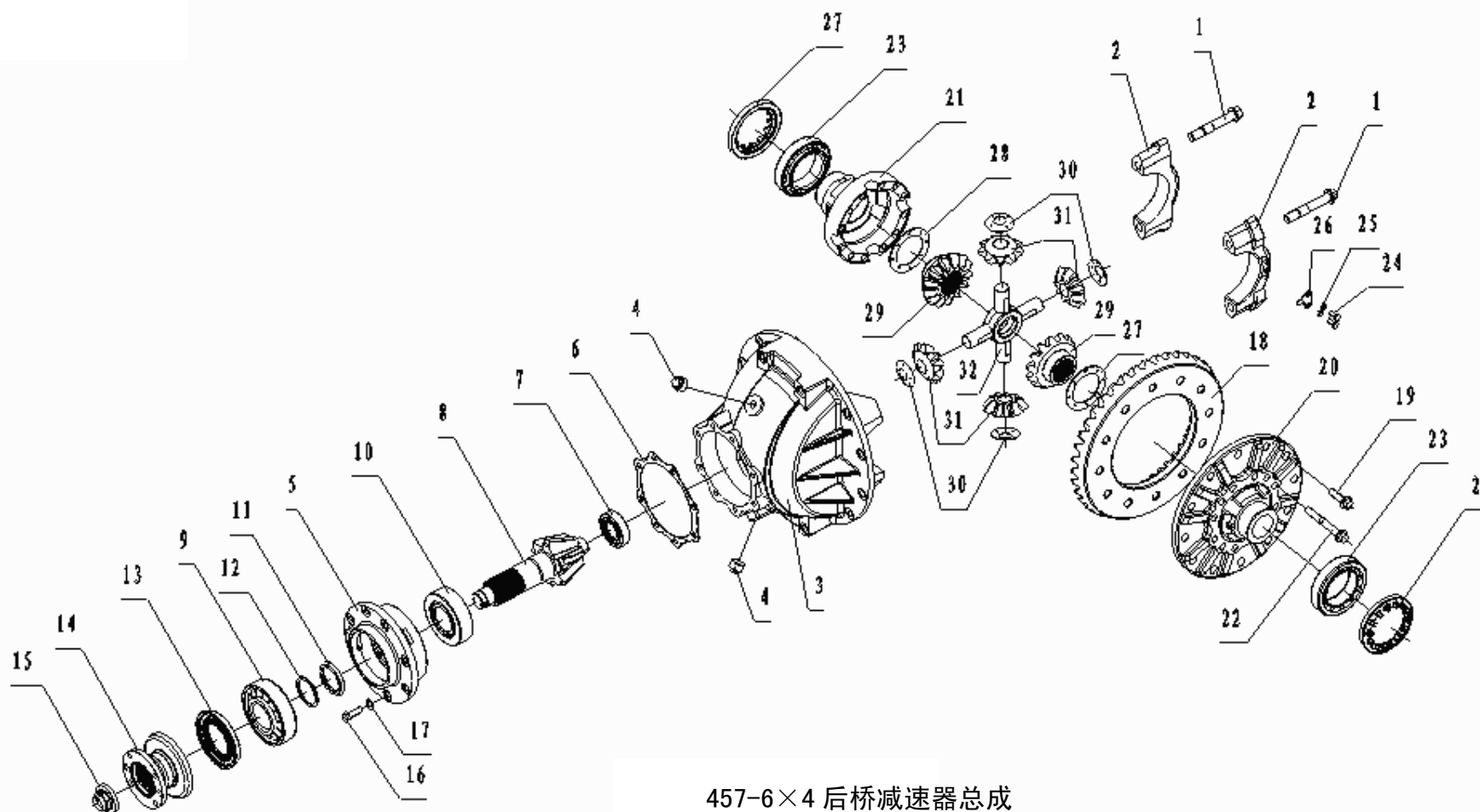
后桥系统 / REAR AXLE SYSTEM

24-66

序号 No.	件号 Part No.	数量 Quantity	名称 Name	规格 Specification	适用产品 Products Applied	备注 Remark
	S2402010K5H	1	后桥主减速器总成 (4.44) Rear Axle Main Reducer Assembly(4.44)			
	S2402010L5H	1	后桥主减速器总成 (4.875) Rear Axle Main Reducer Assembly(4.875)			
	S2402010M5H	1	后桥主减速器总成 (5.286) Rear Axle Main Reducer Assembly(5.286)			
	S2402010H5H	1	后桥主减速器总成 (5.833) Rear Axle Main Reducer Assembly(5.833)			
	S2402010P5H	1	后桥主减速器总成 (6.33) Rear Axle Main Reducer Assembly(6.33)			
1	SQ2402119-A01	4	螺栓 - 紧固差速器轴承盖 Bolt-For Tightening Differential Bearing Cap			
2	SQ2402019D1H	2	盖 - 差速器轴承 Cap-Differential Bearing			
3	2402018D1H	1	减速器外壳 Reducer Case			
4	Q62510	2	加油螺塞 Filling Plug			
5	2402049D1H	1	轴承座 - 主动锥齿轮 Bearing Seat-Drive Bevel Gear			
6	2402097D1H	按需 On-Demand	调整垫圈 - 主动锥齿轮轴承座 (t=0.5) Adjusting Washer-Drive Bevel Gear Bearing Seat(t=0.5)			
	2402098D1H	按需 On-Demand	调整垫圈 - 主动锥齿轮轴承座 (t=0.2) Adjusting Washer-Drive Bevel Gear Bearing Seat(t=0.2)			
	2402099D1H	按需 On-Demand	调整垫圈 - 主动锥齿轮轴承座 (t=0.1) Adjusting Washer-Drive Bevel Gear Bearing Seat(t=0.1)			

457-6×4 后桥减速器总成 / 457-6×4 REAR AXLE REDUCER ASSEMBLY

24-L



457-6×4 后桥减速器总成
457-6×4 REAR AXLE REDUCER ASSEMBLY

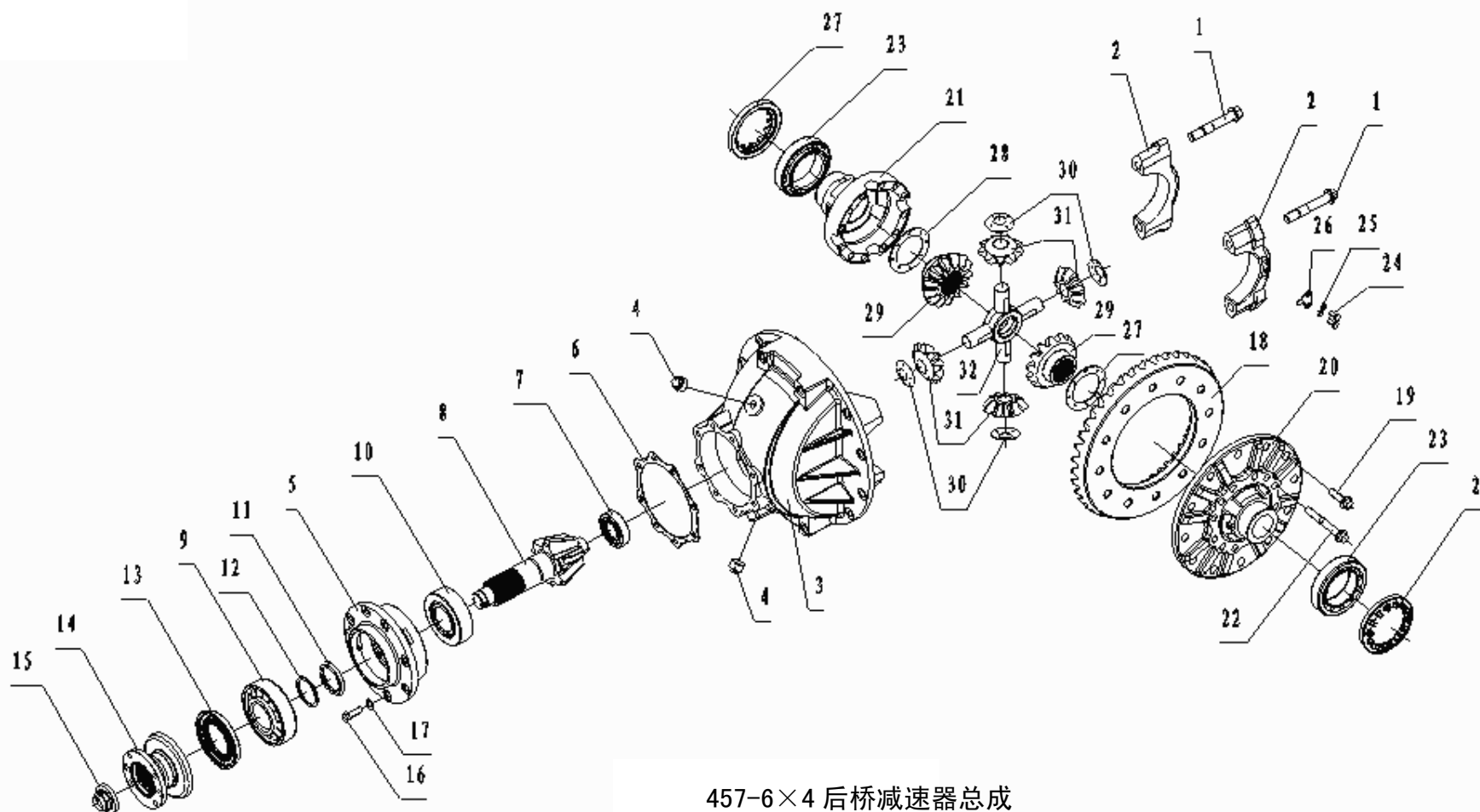
后桥系统 / REAR AXLE SYSTEM

24-68

序号 No.	件号 Part No.	数量 Quantity	名称 Name	规格 Specification	适用产品 Products Applied	备注 Remark
7	42708K	1	无保持架圆柱滚子轴承 Cylindrical Roller Bearing W/o Retainer			
8	S2402036K5H	1	主动锥齿轮 (4.44) Drive Bevel Gear(4.44)			
	S2402036L5H	1	主动锥齿轮 (4.875) Drive Bevel Gear(4.875)			
	S2402036M5H	1	主动锥齿轮 (5.286) Drive Bevel Gear(5.286)			
	S2402036H5H	1	主动锥齿轮 (5.833) Drive Bevel Gear(5.833)			
	S2402036P5H	1	主动锥齿轮 (6.33) Drive Bevel Gear(6.33)			
9	9278/9220	1	圆锥滚子轴承 - 主动锥齿轮 Tapered Roller Bearing-Drive Bevel Gear			
10	30613B	1	圆锥滚子轴承 - 主动锥齿轮 Tapered Roller Bearing-Drive Bevel Gear			
11	2402091-D1HB1	按需 On-Demand	调整垫圈 - 主动锥齿轮轴承 Adjusting Washer-Drive Bevel Gear Bearing			
12	2401081D1HB1	按需 On-Demand	调整垫圈 - 主动锥齿轮轴承 (3.07-3.09) Adjusting Washer-Drive Bevel Gear Bearing(3.07-3.09)			
	2401082D1HB1	按需 On-Demand	调整垫圈 - 主动锥齿轮轴承 (3.17-3.19) Adjusting Washer-Drive Bevel Gear Bearing(3.17-3.19)			
	2401083D1HB1	按需 On-Demand	调整垫圈 - 主动锥齿轮轴承 (3.27-3.29) Adjusting Washer-Drive Bevel Gear Bearing(3.27-3.29)			
	2401084D1HB1	按需 On-Demand	调整垫圈 - 主动锥齿轮轴承 (3.37-3.39) Adjusting Washer-Drive Bevel Gear Bearing(3.37-3.39)			

457-6×4 后桥减速器总成 / 457-6×4 REAR AXLE REDUCER ASSEMBLY

24-L



457-6×4 后桥减速器总成
457-6×4 REAR AXLE REDUCER ASSEMBLY

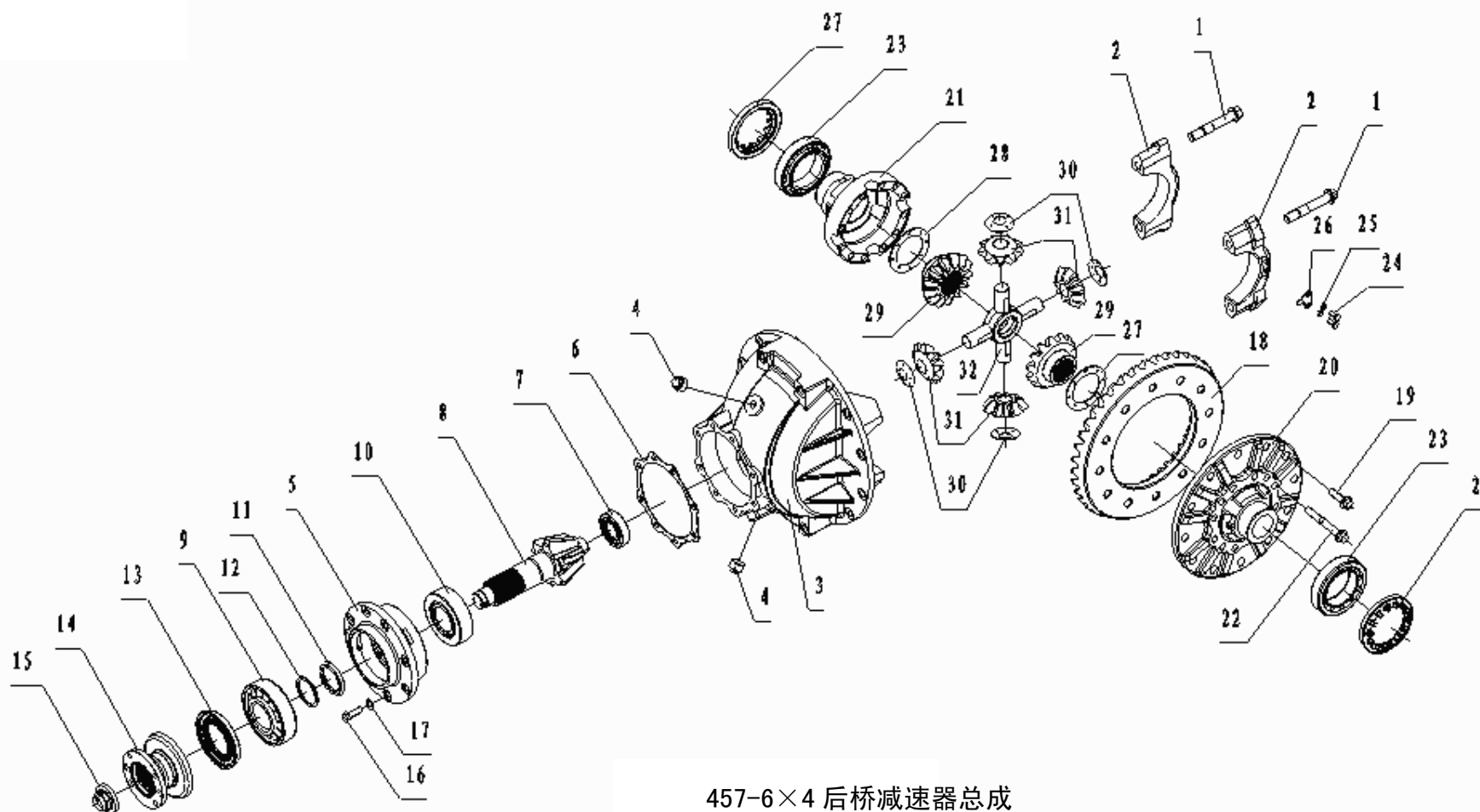
后桥系统 / REAR AXLE SYSTEM

24-70

序号 No.	件号 Part No.	数量 Quantity	名称 Name	规格 Specification	适用产品 Products Applied	备注 Remark
12	2401086D1HB1	按需 On-Demand	调整垫圈 - 主动锥齿轮轴承 (3. 47-3. 49) Adjusting Washer-Drive Bevel Gear Bearing(3.47-3.49)			
	2401087D1HB1	按需 On-Demand	调整垫圈 - 主动锥齿轮轴承 (3. 57-3. 59) Adjusting Washer-Drive Bevel Gear Bearing(3.57-3.59)			
	2401088D1HB1	按需 On-Demand	调整垫圈 - 主动锥齿轮轴承 (3. 67-3. 69) Adjusting Washer-Drive Bevel Gear Bearing(3.67-3.69)			
	2401089D1HB1	按需 On-Demand	调整垫圈 - 主动锥齿轮轴承 (3. 77-3. 79) Adjusting Washer-Drive Bevel Gear Bearing(3.77-3.79)			
13	2402055D1H	1	油封总成 - 主动锥齿轮 Oil Seal Assembly-Drive Bevel Gear			
14	S2402065-5HA01	1	主动锥齿轮突缘总成 Drive Bevel Gear Flange Assembly			
15	S2402071K5H	1	螺母 - 主动锥齿轮突缘 Nut-Drive Bevel Gear Flange			
16	CQ1501440	8	螺栓 - 紧固主动锥齿轮轴承座 Bolt-For Tightening Drive Bevel Gear Bearing Seat			
17	2403038A31	8	平垫圈 Plate Washer			
18	2402037K1H	1	从动锥齿轮 (4. 44) Driven Bevel Gear(4.44)			
	2402037L1H	1	从动锥齿轮 (4. 875) Driven Bevel Gear(4.875)			
	2402037M1H	1	从动锥齿轮 (5. 286) Driven Bevel Gear(5.286)			
	2402037H1H	1	从动锥齿轮 (5. 833) Driven Bevel Gear(5.833)			

457-6×4 后桥减速器总成 / 457-6×4 REAR AXLE REDUCER ASSEMBLY

24-L



457-6×4 后桥减速器总成
457-6×4 REAR AXLE REDUCER ASSEMBLY

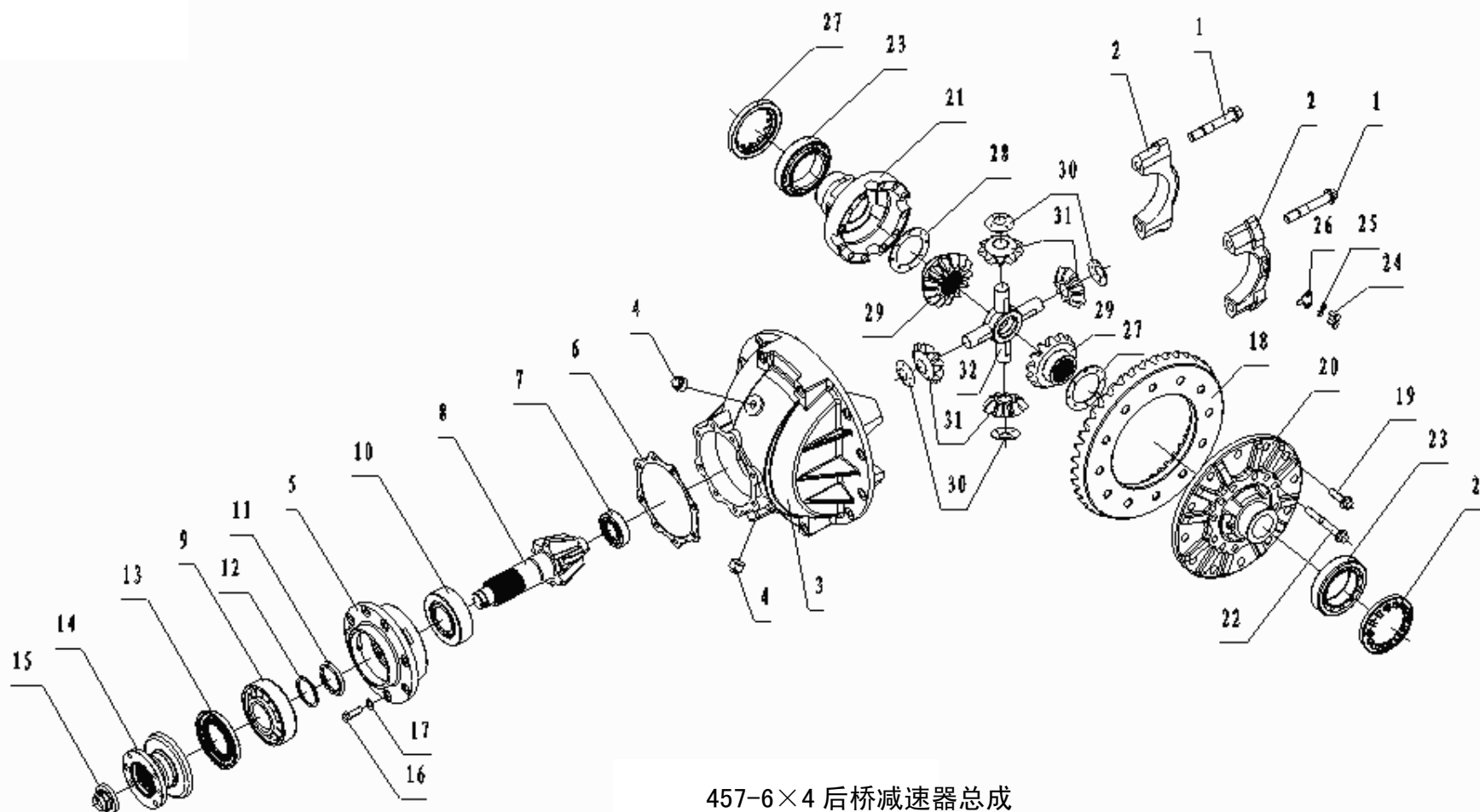
后桥系统 / REAR AXLE SYSTEM

24-72

序号 No.	件号 Part No.	数量 Quantity	名称 Name	规格 Specification	适用产品 Products Applied	备注 Remark
18	2402037P1H	1	从动锥齿轮 (6.33) Driven Bevel Gear(6.33)			
19	2402063D1H	12	螺栓 - 紧固从动锥齿轮与差速器左壳 Bolt-For Tightening Driven Bevel Gear And Differential Case LH			
	2403017D1H	1	左壳 - 差速器 (4.875/4.44/5.286) Case LH-Differential(4.875/4.44/5.286)			
20	2403017G1H	1	左壳 - 差速器 (5.833/6.33) Case LH-Differential(5.833/6.33)			
21	2403018D1H	1	右壳 - 差速器 Case RH-Differential			
22	2403023D1H	12	螺栓 - 紧固差速器壳 Bolt-For Tightening Differential Case			
23	594A/592A	2	轴承总成 Bearing Assembly			
24	Q150B1018	4	螺栓 Bolt			
25	Q40310	4	弹簧垫圈 Spring Washer			
26	SQ2403072B01D	2	止动片 - 调整环 Stop Plate-Adjusting Ring			
27	2403071D1H	2	调整环 Adjusting Ring			
28	2403053D1H	2	垫片 - 半轴齿轮 Shim-Half-Shaft Gear			
29	2403051D1HB1	2	半轴齿轮 Half-Shaft Gear			

457-6×4 后桥减速器总成 / 457-6×4 REAR AXLE REDUCER ASSEMBLY

24-L



457-6×4 后桥减速器总成
457-6×4 REAR AXLE REDUCER ASSEMBLY

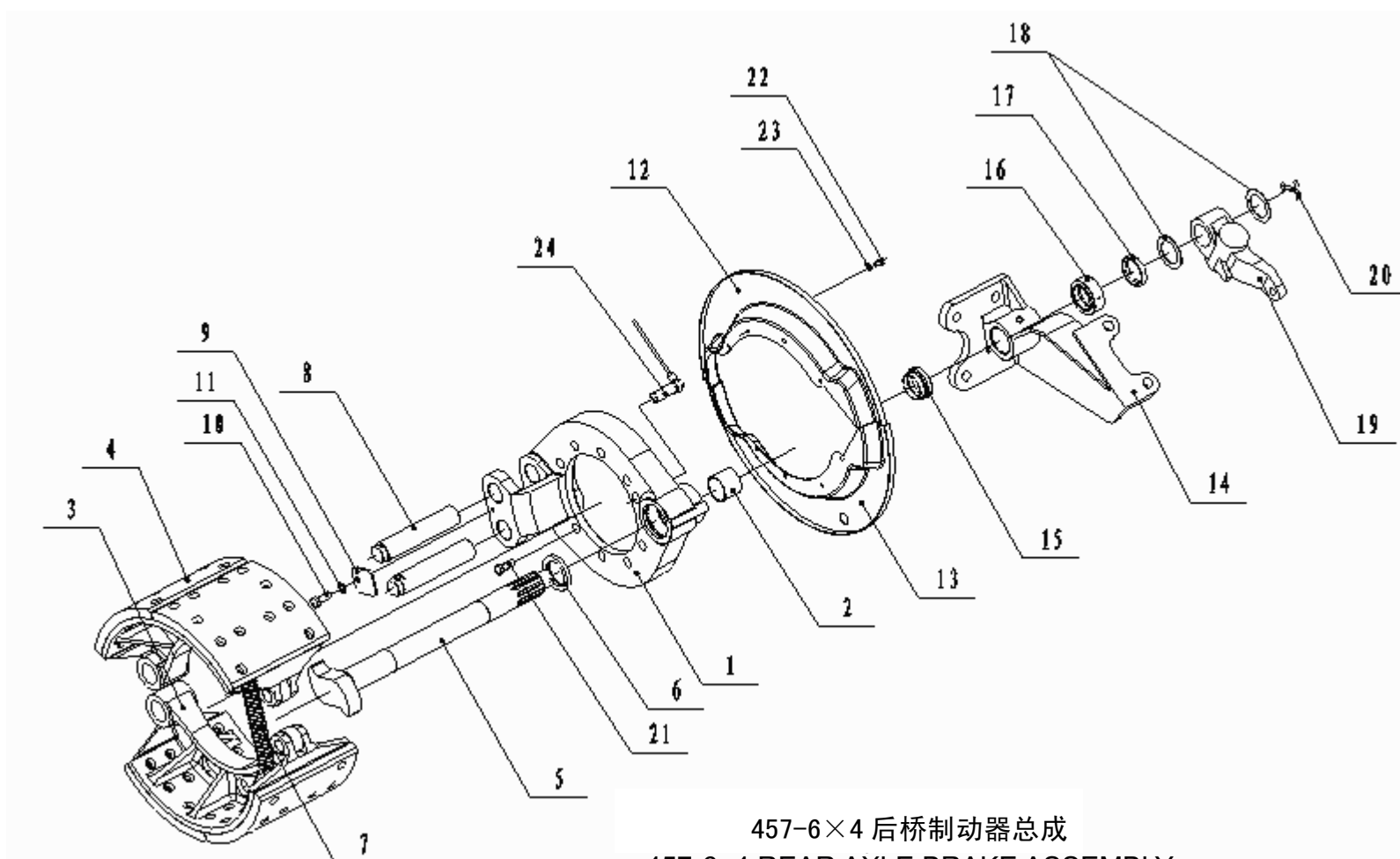
后桥系统 / REAR AXLE SYSTEM

24-74

序号 No.	件号 Part No.	数量 Quantity	名称 Name	规格 Specification	适用产品 Products Applied	备注 Remark
31	2403056D1H	4	行星齿轮 Planetary Gear			
32	2403061D1H	2	十字轴 - 差速器 Spider -Differential			

457-6×4 后桥制动器总成 / 457-6×4 REAR AXLE BRAKE ASSEMBLY

24-M



457-6×4 后桥制动器总成
457-6×4 REAR AXLE BRAKE ASSEMBLY

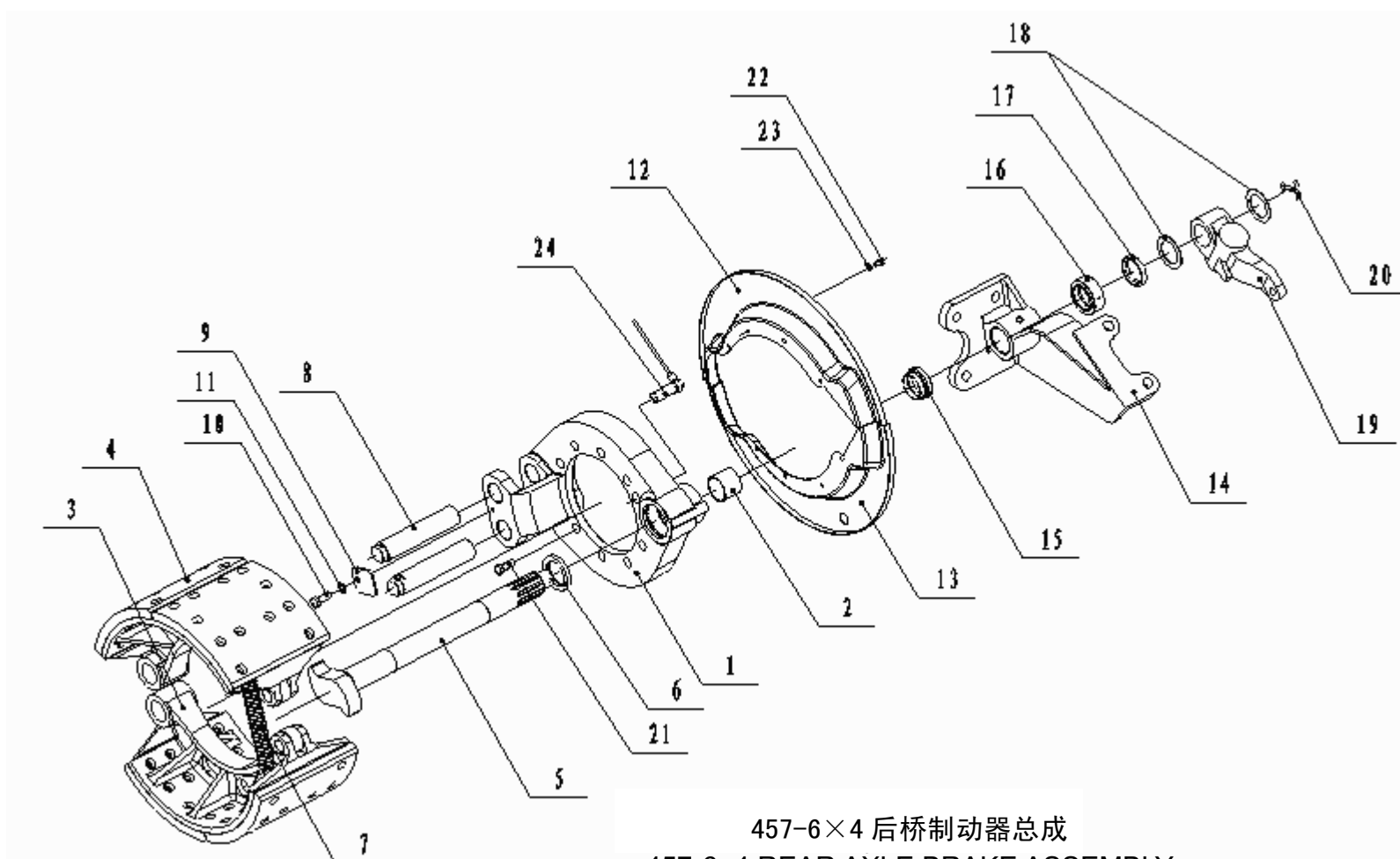
后桥系统 / REAR AXLE SYSTEM

24-76

序号 No.	件号 Part No.	数量 Quantity	名称 Name	规格 Specification	适用产品 Products Applied	备注 Remark
	3502010-5H	1	后左制动器总成 Rear Brake Assembly LH			
	3502020-5H	1	后右制动器总成 Rear Brake Assembly RH			
1	3502026-4E	1	左制动支架 Brake Bracket LH			
	3502027-4E	1	右制动支架 Brake Bracket RH			
2	3501396-4E	2	衬套 Bushing			
3	3502391-4E	2	后制动蹄片 Rear Brake Shoe			
4	3502407-4E	8	摩擦片 Lining			
5	3502151-5H	1	后左制动凸轮 Rear Brake Cam LH			
	3502152-5H	1	后右制动凸轮 Rear Brake Cam RH			
6	3501134-4E	2	凸轮垫圈 Cam Washer			
7	3502436-4E	2	回动弹簧 Return Spring			
8	3502082-4E	4	蹄片轴 Shoe Shaft			
9	3501086-4E	2	蹄片轴挡板 Shoe Shaft Baffle			
10	CQ1501016	2	螺栓 Bolt			

457-6×4 后桥制动器总成 / 457-6×4 REAR AXLE BRAKE ASSEMBLY

24-M



457-6×4 后桥制动器总成

457-6×4 REAR AXLE BRAKE ASSEMBLY

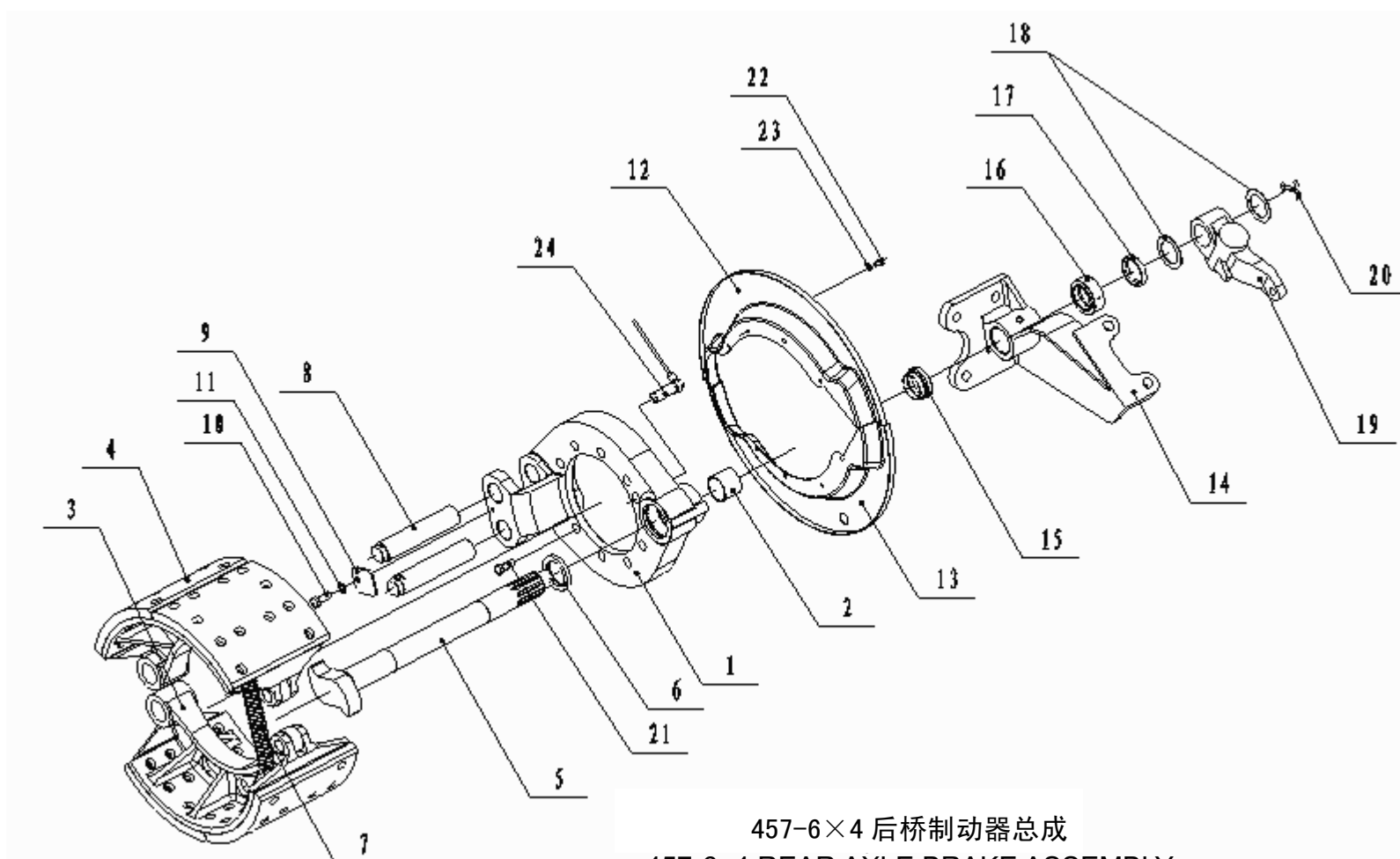
后桥系统 / REAR AXLE SYSTEM

24-78

序号 No.	件号 Part No.	数量 Quantity	名称 Name	规格 Specification	适用产品 Products Applied	备注 Remark
11	Q40310	2	弹簧垫圈 Spring Washer			
12	3502031-1H	2	后制动左上(右下)挡尘盘 Upper LH(Lower RH) Dust Guard Dish Of Rear Brake			
13	3502032-1H	2	后制动左下(右上)挡尘盘 Lower LH(Upper RH) Dust Guard Dish Of Rear Brake			
14	3502125-5H	1	左支架总成 - 后制动凸轮 Bracket Assembly LH-Rear Brake Cam			
	3502130-5H	1	右支架总成 - 后制动凸轮 Bracket Assembly RH-Rear Brake Cam			
15	3502120-1H	2	油封 - 制动支架 Oil Seal-Brake Bracket			
16	3502121-1H	1	关节轴承 - 凸轮轴支架 Pivot Bearing-Camshaft Bracket			
17	3502122-1H	2	油封 - 凸轮轴支架 Oil Seal-Camshaft Bracket			
18	3501156-01	按需 On-Demand	调整垫圈 Adjusting Washer			
19	3502210-1H	1	左调整臂总成 Adjusting Arm Assembly LH			
	3502220-1H	1	右调整臂总成 Adjusting Arm Assembly RH			
20	Q5006035	2	开口销 Cotter Pin			
21	CQ1501635T	16	螺栓 - 紧固后制动支架用 Bolt-For Tightening Rear Brake Bracket			

457-6×4 后桥制动器总成 / 457-6×4 REAR AXLE BRAKE ASSEMBLY

24-M



457-6×4 后桥制动器总成
457-6×4 REAR AXLE BRAKE ASSEMBLY

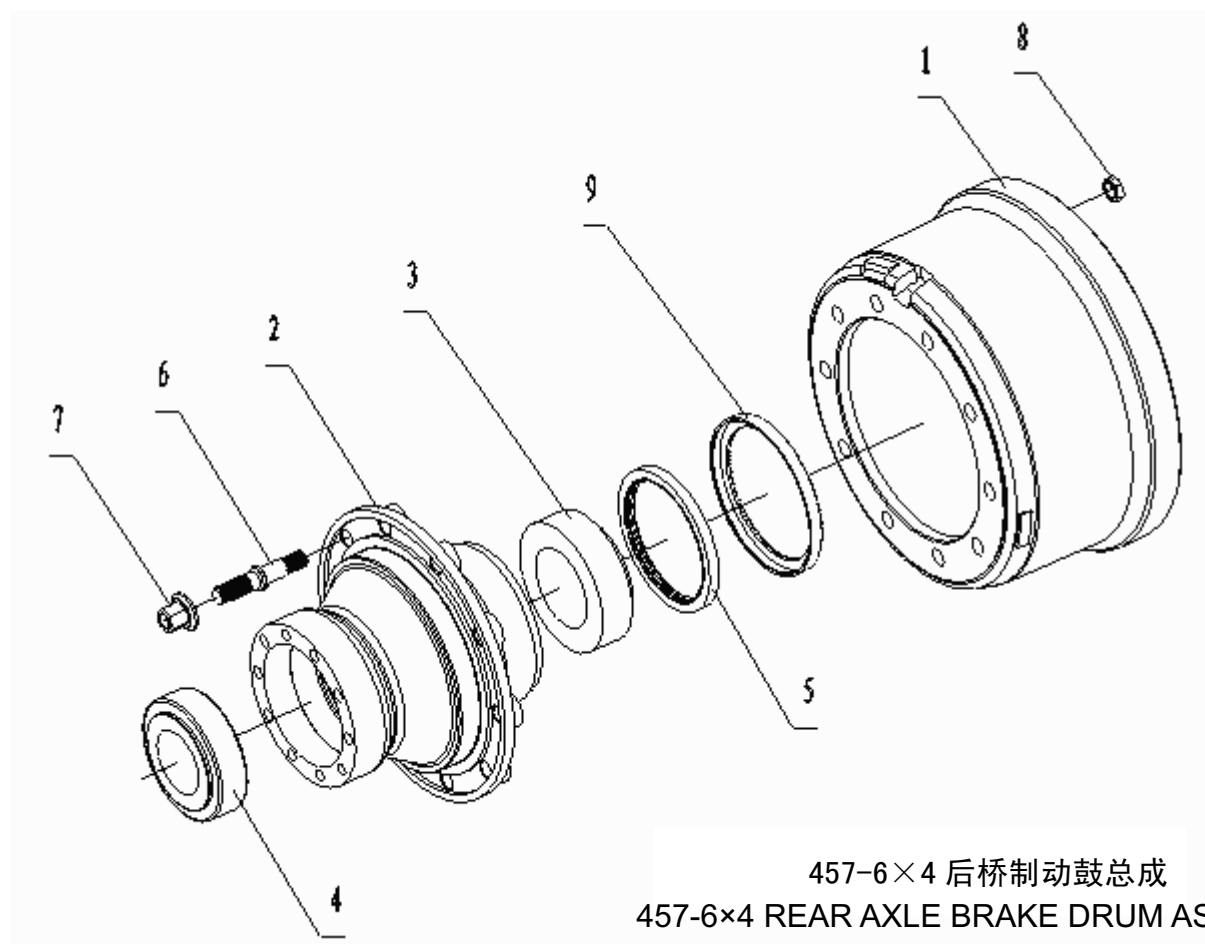
后桥系统 / REAR AXLE SYSTEM

24-80

序号 No.	件号 Part No.	数量 Quantity	名称 Name	规格 Specification	适用产品 Products Applied	备注 Remark
22	CQ1500610	16	螺栓 - 挡尘盘用 Bolt-For Dust Guard Dish			
23	Q40306	16	弹簧垫圈 Spring Washer			
24	W3550011B02D	2	ABS 传感器 ABS Sensor			

457-6×4 后桥制动鼓总成 / 457-6×4 REAR AXLE BRAKE DRUM ASSEMBLY

24-N



457-6×4 后桥制动鼓总成
457-6×4 REAR AXLE BRAKE DRUM ASSEMBLY

后桥系统 / REAR AXLE SYSTEM

24-82

序号 No.	件号 Part No.	数量 Quantity	名称 Name	规格 Specification	适用产品 Products Applied	备注 Remark
	SQ3502565B01D	2	后制动鼓总成 Rear Brake Drum Assembly			
1	SQ3502571-B01D	2	后制动鼓 Rear Brake Drum			
2	SQ3104011-B01D	2	后轮毂 Rear Hub			
3	30621	2	轮毂内轴承 Hub Inner Bearing			
4	7819E	2	轮毂外轴承 Hub Outer Bearing			
5	W3104045B01D	2	轮毂油封 Hub Oil Seal			
6	3104051-4EC1	2	车轮螺栓 Wheel Bolt			
7	3103070-4E	20	车轮螺母 Wheel Nut			
8	3103071-4E	20	螺母 Nut			
9	W3550012B01D	2	齿圈 Gear Ring			

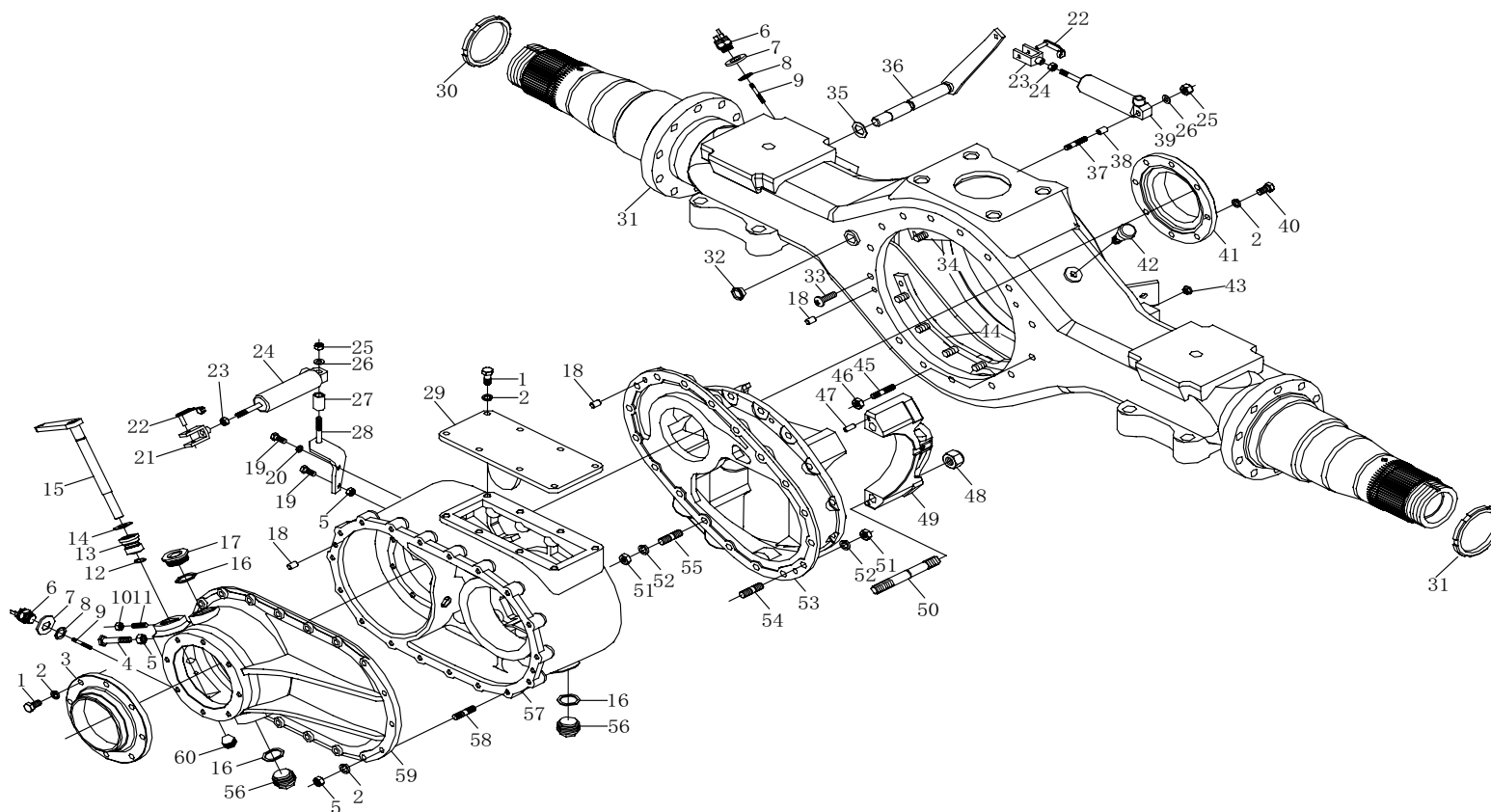
25

中桥系统

INTERMEDIATE AXLE

斯太尔驱动中桥桥壳装置图 / STEYR DRIVE INTERMEDIATE AXLE CASE

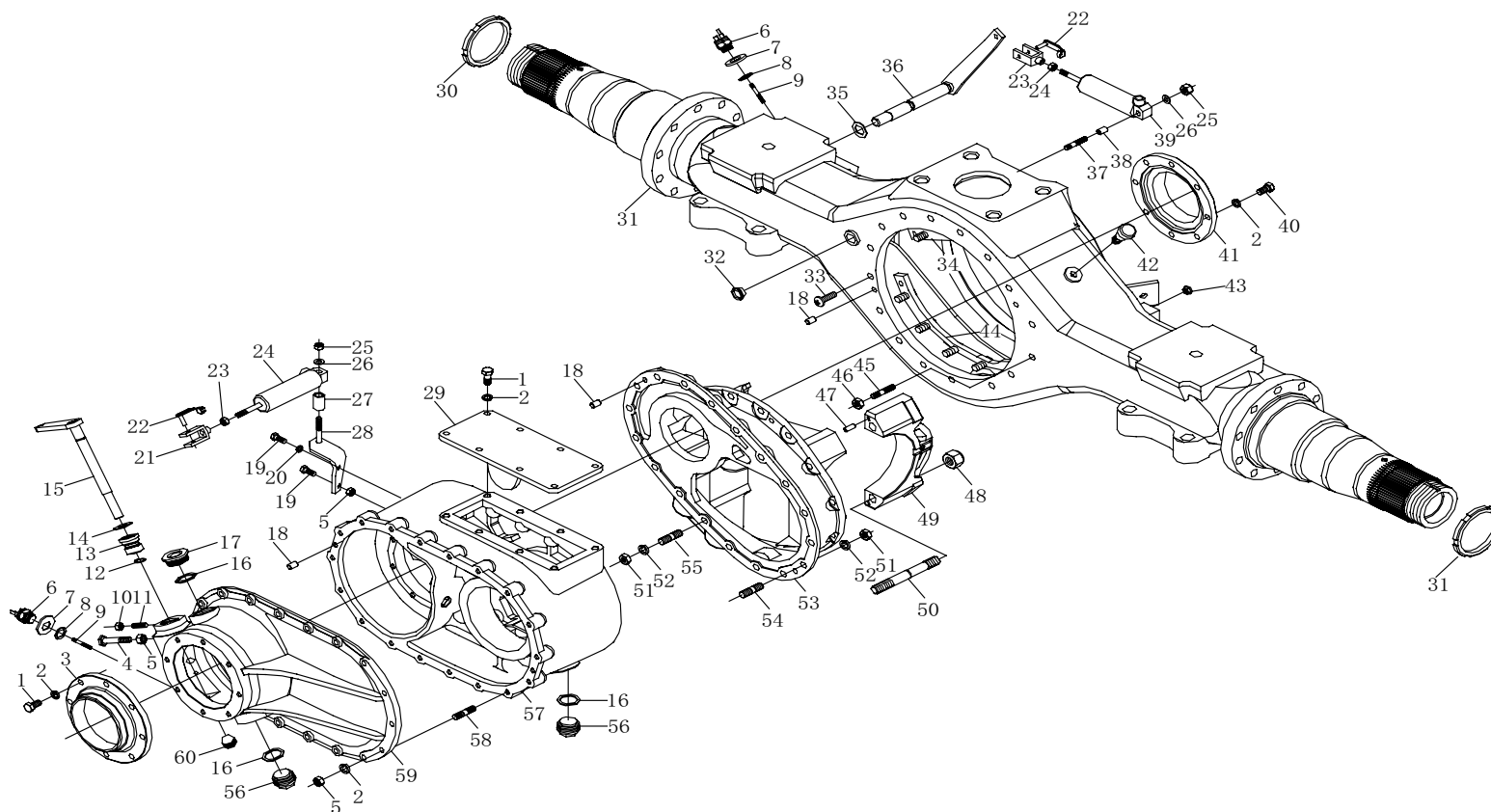
25-A



序号 No.	件号 Part No.	数量 Quantity	名称 Name	规格 Specification	适用产品 Products Applied	备注 Remark
1	Q150B1025	8	六角头螺栓 Hexagon Head Bolt			
2	Q4031	25	弹簧垫圈 Spring Washer			
3	99014320175	1	端盖 End Cover			
4	Q150B1050	1	六角头螺栓 Hexagon Head Bolt			
5	Q340B10	20	I型六角螺母 Hexagon Full Nut			
6	79100710003	2	压力开关 Pressure Switch			
7	Q72318	2	密封垫圈 Seal Washer			
8	Q43705	2	轴用钢丝档圈 Steel Wire Retainer Ring For Shaft			
9	69000330008	2	销(用于13T级) Pin(For Level 13T)			
10	Q340B08	1	I型六角螺母 Hexagon Full Nut			
11	GB75-85-M18X20Zn	1	开槽长圆柱端紧固螺钉 Slotted Tightening Screw With Long Cylindrical Head			
12	43117	1	轴用弹性档圈 Spring Retainer Ring For Shaft			
13	2700320037	1	衬套 Bushing			
14	288730062	1	O型密封圈 O-Seal Ring			

斯太尔驱动中桥桥壳装置图 / STEYR DRIVE INTERMEDIATE AXLE CASE

25-A



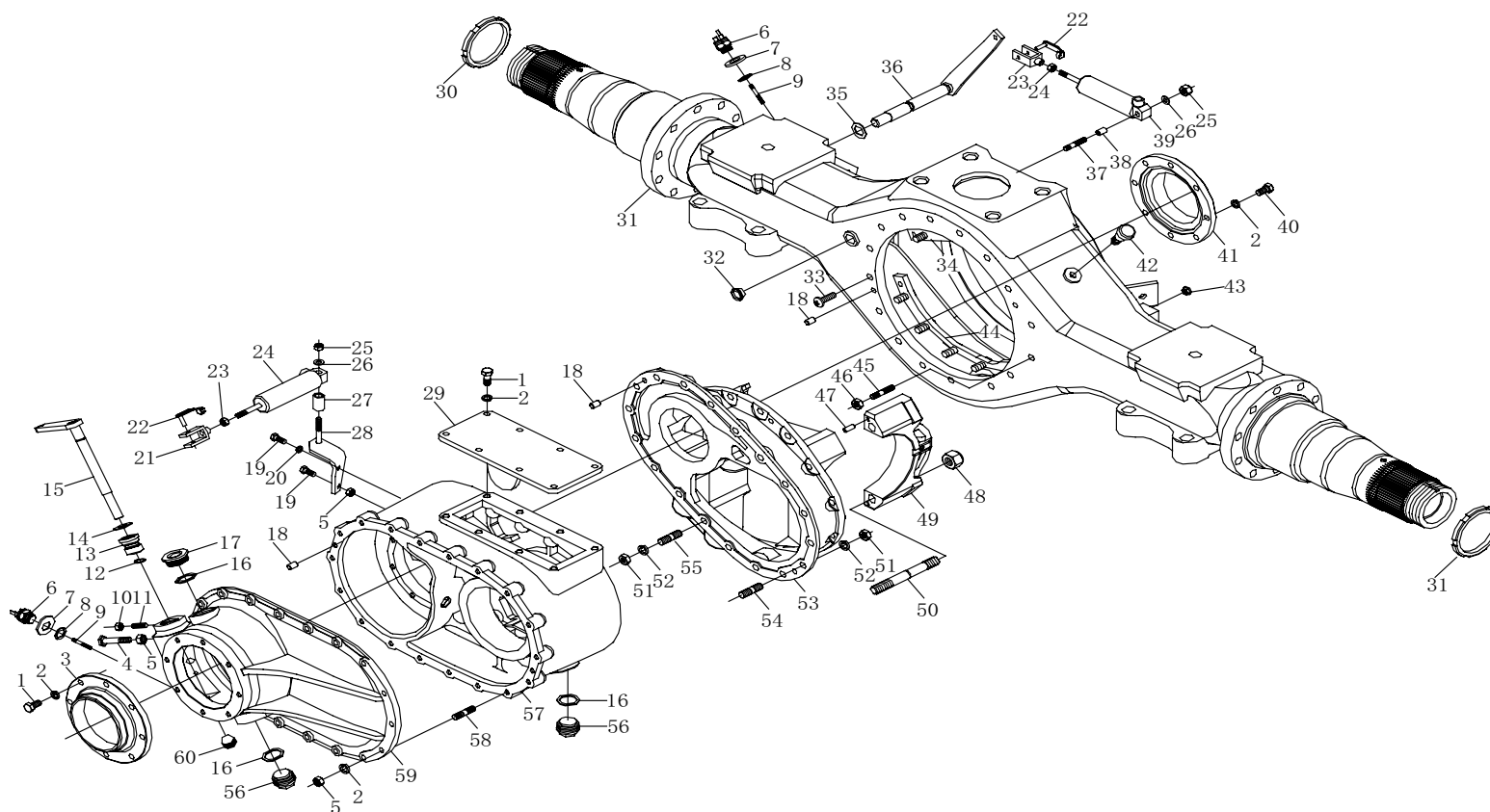
中桥系统 / INTERMEDIATE AXLE

25-4

序号 No.	件号 Part No.	数量 Quantity	名称 Name	规格 Specification	适用产品 Products Applied	备注 Remark
15	99014320076	1	差速锁摇臂总成 Differential Lock Rocker Arm Assembly			
16	Q72336	3	密封垫圈 Seal Washer			
17	5863315	3	端盖 End Cover			
18	Q5211016	4	圆柱销 Cylindrical Pin			
19	Q150B0818	2	六角头螺栓 Hexagon Head Bolt			
20	Q40308	2	弹簧垫圈 Spring Washer			
21	90003964418	2	叉型活节 Fork Toggle			
22	780350055	2	ES 平头锁 ES Flat Head Lock			
23	Q250B08T15	2	六角螺母 Hexagon Nut			
24	79100360018	2	工作缸 Operating Cylinder			
25	33208	2	2 型全金属六角锁紧螺母 2-Type All Metal Hexagon Lock Nut			
26	Q40108	2	平垫圈 Plate Washer			
27	61000060072	1	隔套 Spacing Sleeve			
28	99014320156	1	托架总成 Tray Assembly			

斯太尔驱动中桥桥壳装置图 / STEYR DRIVE INTERMEDIATE AXLE CASE

25-A



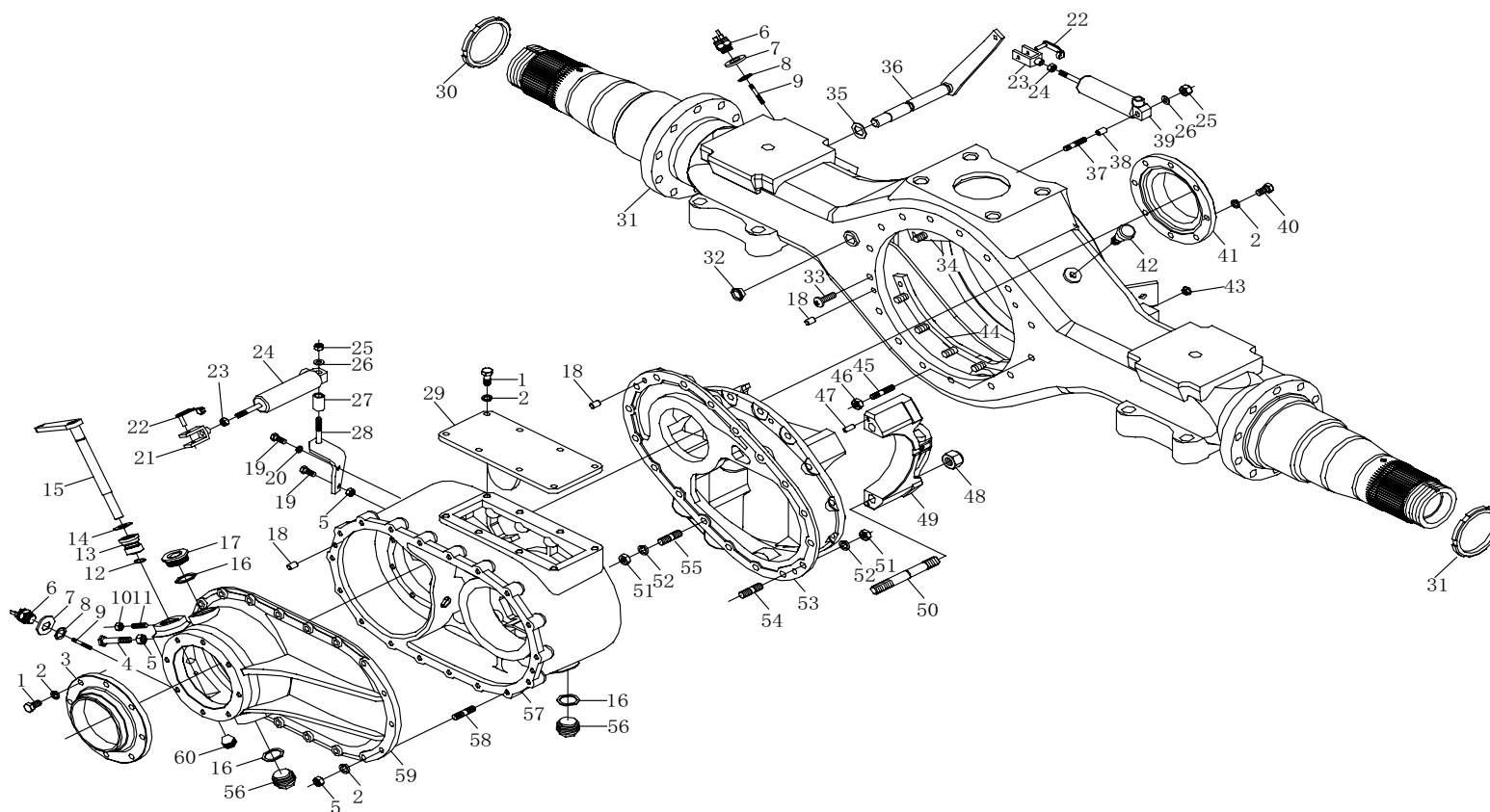
中桥系统 / INTERMEDIATE AXLE

25-6

序号 No.	件号 Part No.	数量 Quantity	名称 Name	规格 Specification	适用产品 Products Applied	备注 Remark
29	99014320118	1	接油板总成 Oil Slinger Assembly		i=4.8,4.42	
	AZ911430178	1	接油板总成 Oil Slinger Assembly		i=5.73,6.72,7.49,8.4,9.49	
30	680340013	2	圆螺母 Round Nut			
31	99014330208	1	中桥壳总成 Intermediate Axle Case Assembly			
	DZ9114330208	1	加强中桥壳总成 Reinforced Intermediate Axle Case Assembly			
	DZ9114330308	1	加强加宽中桥壳总成 Reinforced Widened Intermediate Axle Case Assembly			
32	90003989290	1	碗型堵塞 Bowl Plug			
33	Q24540820	4	十字槽沉头螺钉 Cross Recessed Countersunk Head Screw			
34	990143330147	1	弓型固定卡总成(上) Bow Type Retainer Assembly(Upper)			
35	680m330015	1	O型密封圈 O-Seal Ring			
36	99014330125	1	操纵杆总成 Control Lever Assembly			
37	Q1200850F3	1	双头螺栓 Stud Bolt			
38	61000060084	1	间隔衬套 Spacing Bushing			
39	79100360018	1	工作缸 Operating Cylinder			

斯太尔驱动中桥桥壳装置图 / STEYR DRIVE INTERMEDIATE AXLE CASE

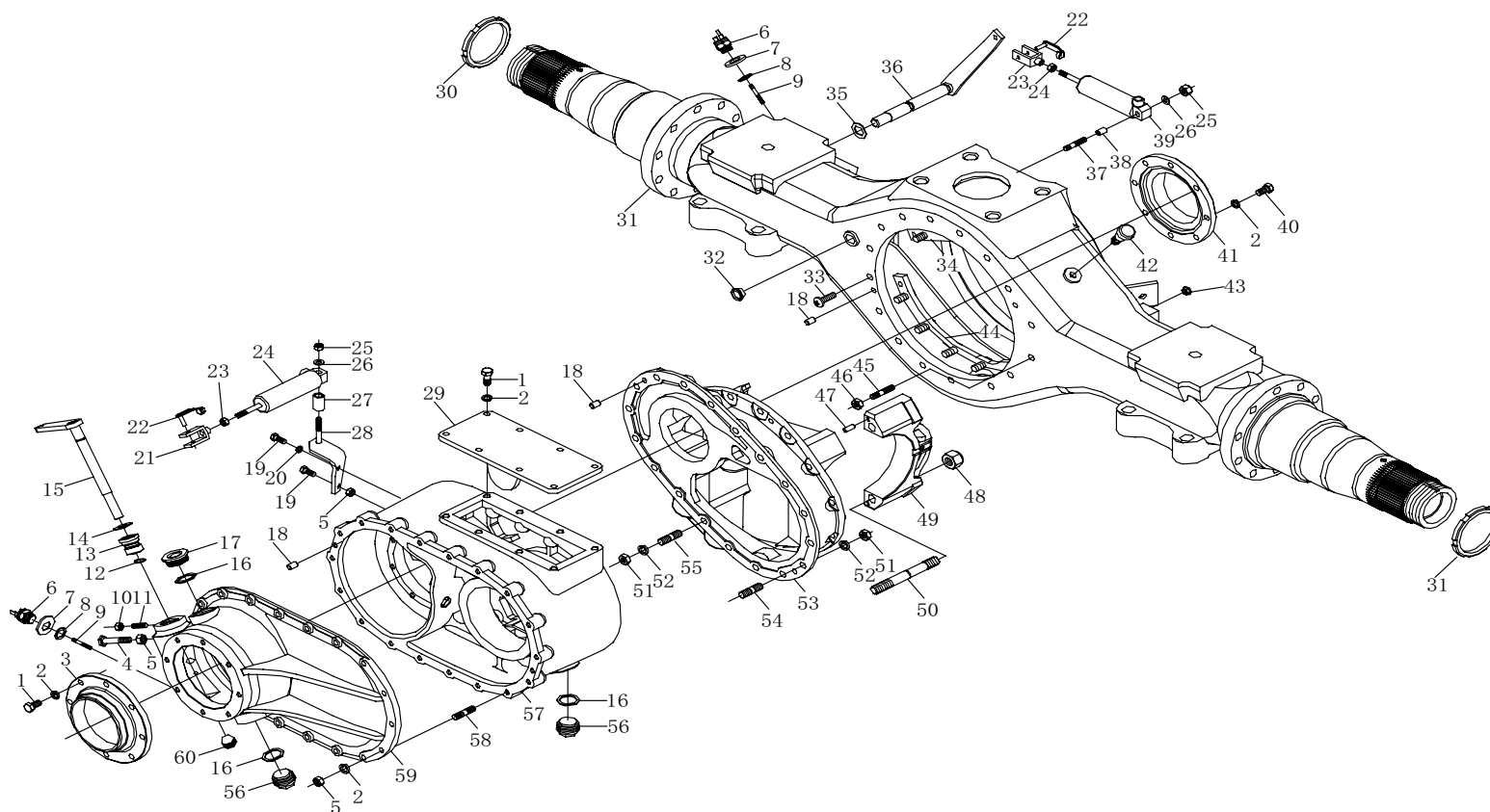
25-A



序号 No.	件号 Part No.	数量 Quantity	名称 Name	规格 Specification	适用产品 Products Applied	备注 Remark
40	Q150B1025	8	六角头螺栓 Hexagon Head Bolt			
41	99014320141	1	轴承座 Bearing Seat			
42	99000330006	1	通气口总成 Vent Assembly			
43	90003962021	1	锥螺纹内六角螺塞 Tapper Screw Inner Hexagon Plug			
44	99014330146	1	弓型固定卡总成(下) Bow Type Retainer Assembly(Lower)			
45	90003810631	8	双头螺栓 Stud Bolt			
46	90003888457	3	六方螺母 Hexagon Nut			
47	Q5210820	4	圆柱销 Cylindrical Pin			
48	90003888459	4	自锁螺母 Self-Locking Nut			
49	99012320002	2	差速器轴承盖 Differential Bearing Cover			
50	Q12316120	4	双头螺栓 Stud Bolt			
51	Q340B12	18	I型六角螺母 Hexagon Full Nut			
52	Q40312	18	弹簧垫圈 Spring Washer			
53	99014320119	1	主减速器壳(中桥) Main Reducer Case(Intermediate Axle)			

斯太尔驱动中桥桥壳装置图 / STEYR DRIVE INTERMEDIATE AXLE CASE

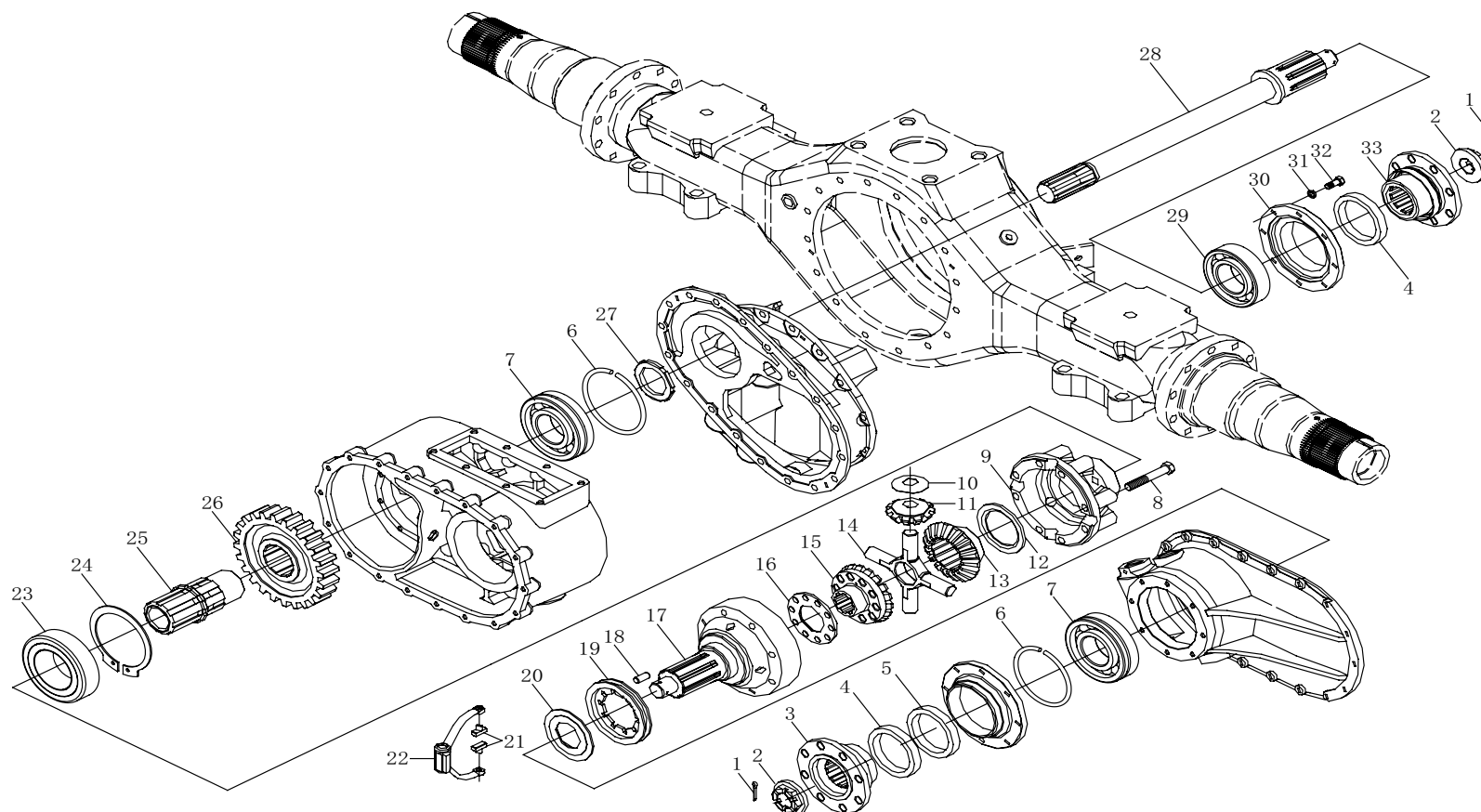
25-A



序号 No.	件号 Part No.	数量 Quantity	名称 Name	规格 Specification	适用产品 Products Applied	备注 Remark
54	Q1201225F3	14	双头螺栓 Stud Bolt			
55	Q1201230F3	4	双头螺栓 Stud Bolt			
56	586330015	3	磁性螺塞总成 Magnetic Plug Assembly			
57	99014320259	1	过桥箱 Gap Bridge Box			
58	Q1201028F3	18	双头螺栓 Stud Bolt			
59	99014320144	1	过桥箱盖 Gap Bridge Box Cover			

斯太尔驱动中桥驱动装置 I 装置图
STEYR DRIVE INTERMEDIATE AXLE DRIVE DEVICE I

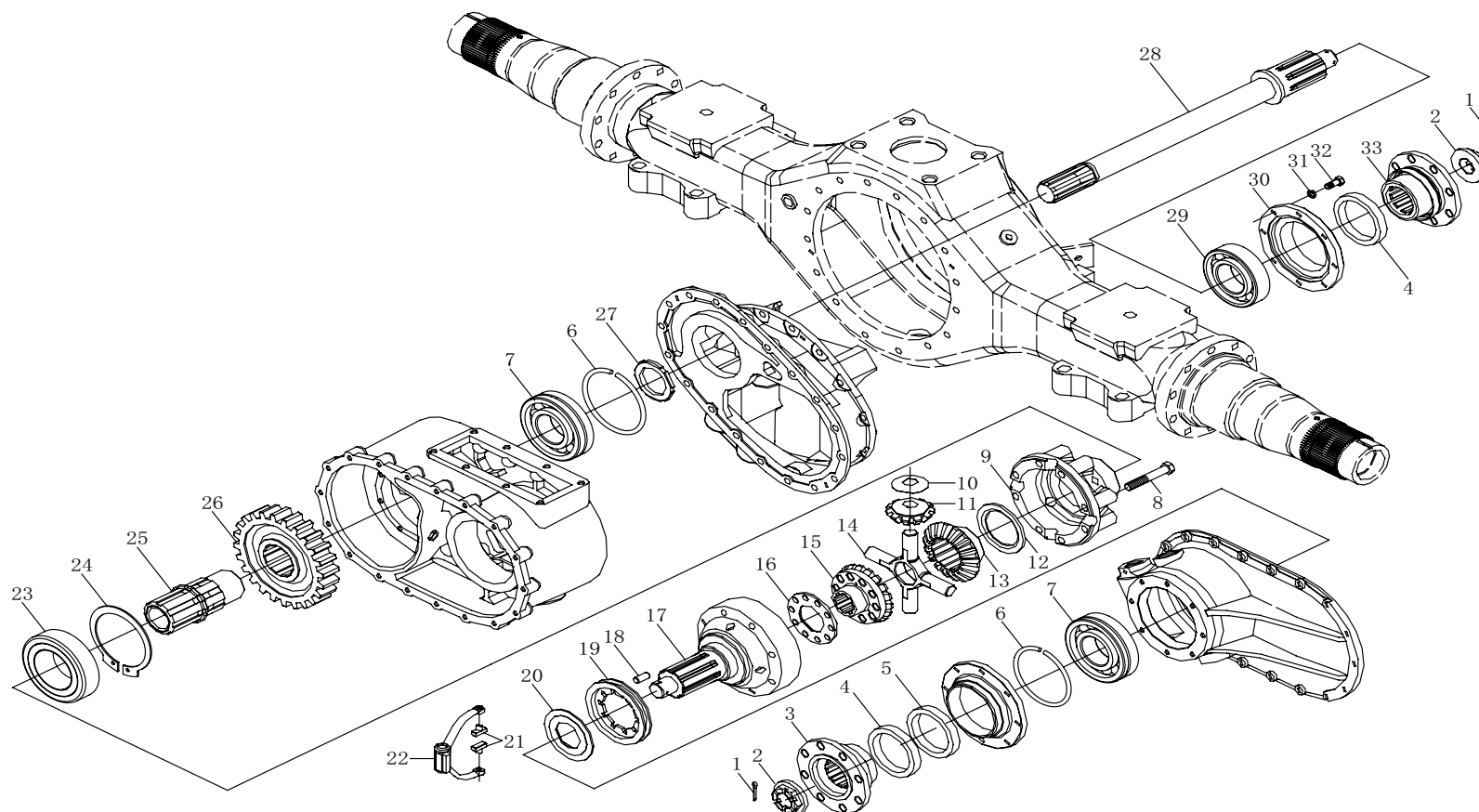
25-B



序号 No.	件号 Part No.	数量 Quantity	名称 Name	规格 Specification	适用产品 Products Applied	备注 Remark
1	Q5005056	1	开口销 Cotter Pin			
2	79000320013	1	凸缘螺母 Flange Nut			
3	99012320110	1	凸缘总成 ϕ 165 Flange Assembly ϕ 165			
	99014320261	1	凸缘总成 ϕ 180 Flange Assembly ϕ 180			
	DZ911220130	1	凸缘总成 ϕ 165 Flange Assembly ϕ 165			
	DZ911220134	1	凸缘总成 ϕ 180 Flange Assembly ϕ 180			
4	99014320039	1	轴密封圈 Shaft Seal Ring			
5	99014320037	1	轴密封圈 Shaft Seal Ring			
6	Q433130	1	轴用压扁钢丝挡圈 Flatted Steel Wire Retainer Ring For Shaft			
7	6312NGB/T276-94	2	有止动槽的向心球轴承 Radial Ball Bearing W/Stop Groove			
8	Q151B1480TF2	8	六角头螺栓 Hexagon Head Bolt			
9	99014320130	1	差速器后壳 Differential Rear Case			
10	99012320150	4	行星齿轮垫片 Planetary Gear Shim			
11	99012320010	4	行星齿轮 Planetary Gear			

斯太尔驱动中桥驱动装置 I 装置图
STEYR DRIVE INTERMEDIATE AXLE DRIVE DEVICE I

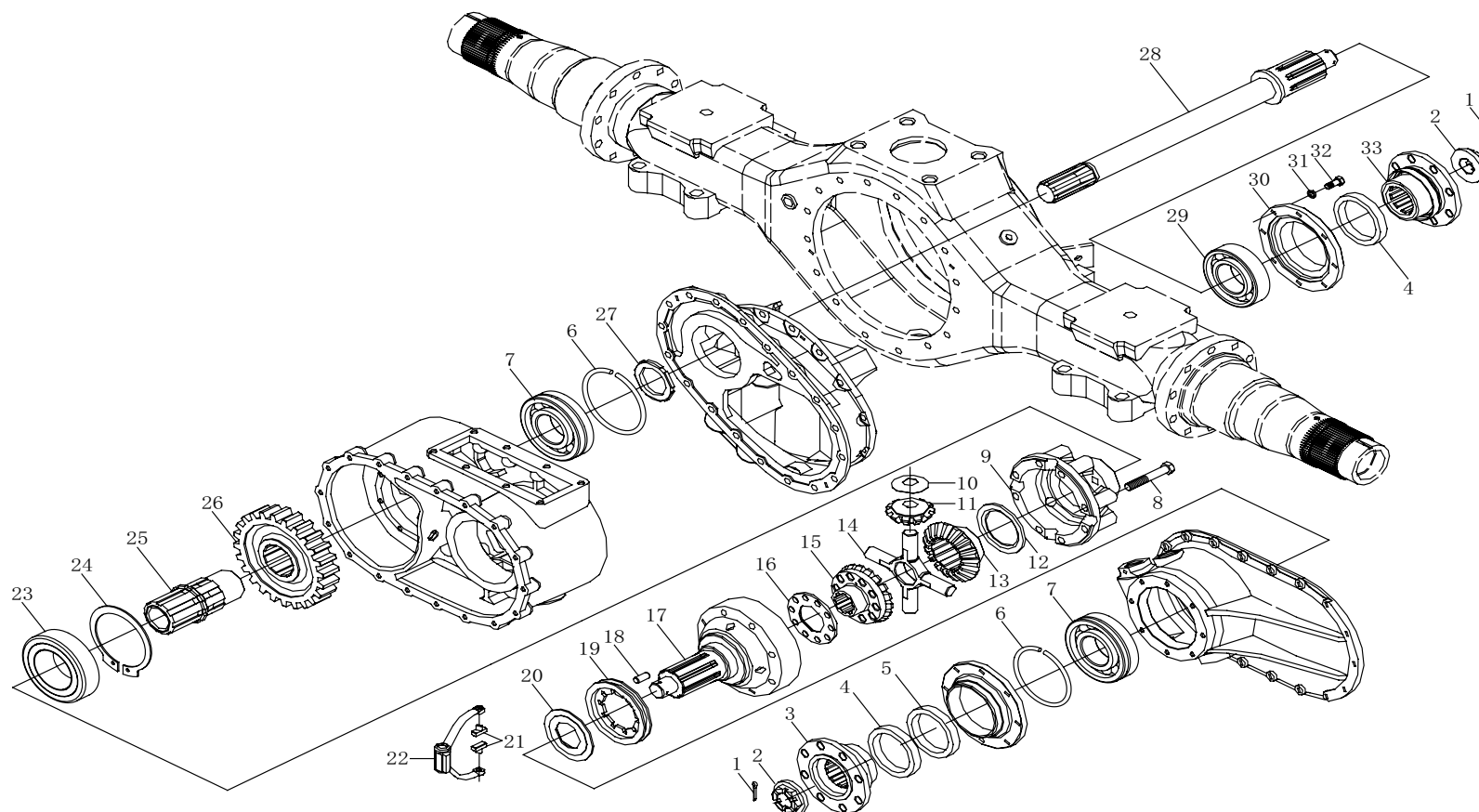
25-B



序号 No.	件号 Part No.	数量 Quantity	名称 Name	规格 Specification	适用产品 Products Applied	备注 Remark
12	99014320071	按需 On-Demand	半轴齿轮(后)垫片 Half-Shaft Gear(Rear)Shim			
	99014320072	按需 On-Demand	半轴齿轮(后)垫片 Half-Shaft Gear(Rear)Shim			
	99014320073	按需 On-Demand	半轴齿轮(后)垫片 Half-Shaft Gear(Rear)Shim			
	99014320210	按需 On-Demand	半轴齿轮(后)垫片 Half-Shaft Gear(Rear)Shim			
13	99014320059	1	半轴齿轮(后) Half-Shaft Gear(Rear)			
14	99014320091	1	差速器十字轴 Differential Spider			
15	99014320032	1	半轴齿轮(前) Half-Shaft Gear(Front)			
16	99014320067	按需 On-Demand	半轴齿轮(前)垫片 Half-Shaft Gear(Front)Shim			
	99014320068	按需 On-Demand	半轴齿轮(前)垫片 Half-Shaft Gear(Front)Shim			
	99014320069	按需 On-Demand	半轴齿轮(前)垫片 Half-Shaft Gear(Front)Shim			
	99014320070	按需 On-Demand	半轴齿轮(前)垫片 Half-Shaft Gear(Front)Shim			
	99014320211	按需 On-Demand	半轴齿轮(前)垫片 Half-Shaft Gear(Front)Shim			
17	99014320139	1	差速器壳(前) Differential Case (Front)			

斯太尔驱动中桥驱动装置 I 装置图
STEYR DRIVE INTERMEDIATE AXLE DRIVE DEVICE I

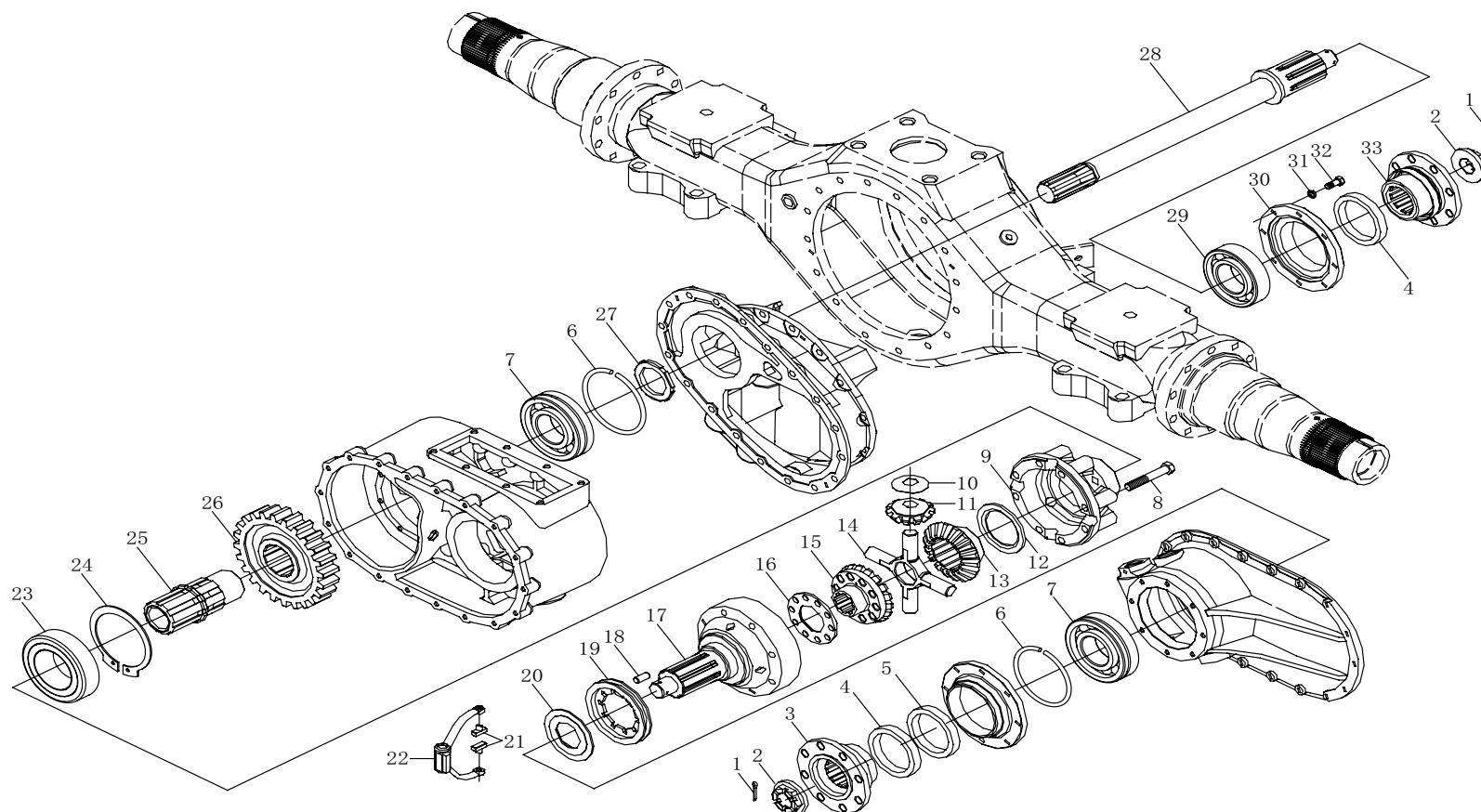
25-B



序号 No.	件号 Part No.	数量 Quantity	名称 Name	规格 Specification	适用产品 Products Applied	备注 Remark
18	288320106	10	差速锁销 Differential Lock Pin			
19	288320105	1	差速锁锁环 Differential Lock Ring			
20	99014320061	1	轴间差速锁片 Interaxial Differential Lock Plate			
21	18003277	2	拨叉活动块 Toggle Fork Movable Block			
22	99014320053	1	拨叉 Toggle Fork			
23	6019-ZGB/T276-94	1	带防尘盖深沟球轴承 Grooved Ball Bearing W/Dust Cap			
24	Q433130	2	轴用弹性档圈 Spring Retainer For Shaft			
25	99014320135	1	空心轴 Hollow Axle			
26	99014320209	1	主动圆柱齿轮 Drive Cylindrical Gear		i=4.8	
	99014320136	1	主动圆柱齿轮 Drive Cylindrical Gear			
	99114320002	1	主动圆柱齿轮 Drive Cylindrical Gear			
27	99012250031	1	开槽圆螺母 Slotted Round Nut			
28	99004320031	1	贯通轴 Thru Shaft			
29	6212-GB/T276-94	1	深沟球轴承 Grooved Ball Bearing			

斯太尔驱动中桥驱动装置 I 装置图
STEYR DRIVE INTERMEDIATE AXLE DRIVE DEVICE I

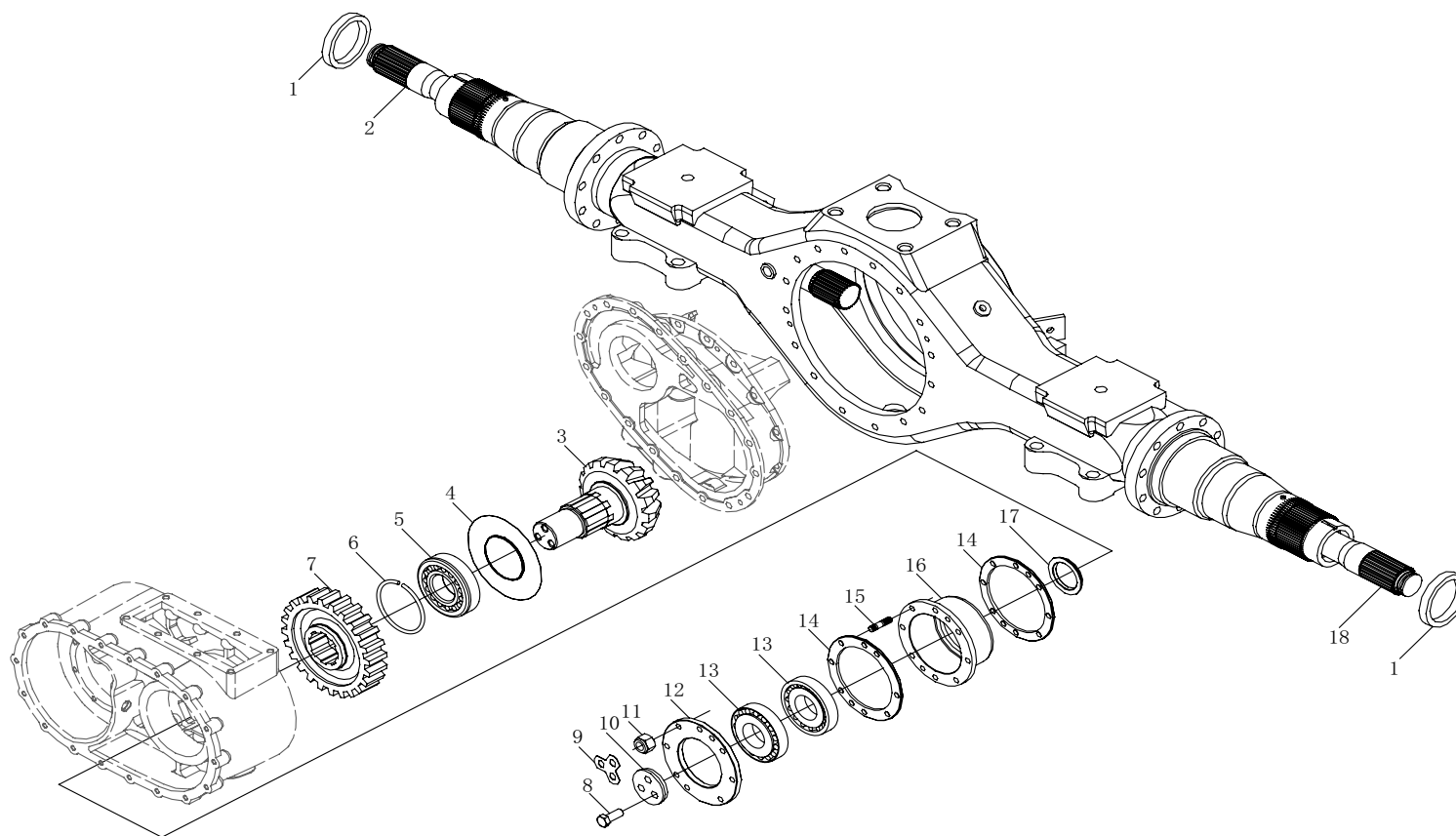
25-B



序号 No.	件号 Part No.	数量 Quantity	名称 Name	规格 Specification	适用产品 Products Applied	备注 Remark
30	99014320141	1	轴承壳端盖 Bearing Housing End Cover			
31	Q40310	8	弹簧垫圈 Spring Washer			
32	Q150B1025	8	六角头螺栓 Hexagon Head Bolt			
33	99014320205	1	凸缘总成 ϕ 165 Flange Assembly ϕ 165			
	99014320154	1	凸缘总成 ϕ 180 Flange Assembly ϕ 180			
	DZ9112320132	1	凸缘总成 ϕ 165 Flange Assembly ϕ 165			
	DZ9114320154	1	凸缘总成 ϕ 180 Flange Assembly ϕ 180			

斯太尔驱动中桥驱动装置 II 装置图
STEYR DRIVE INTERMEDIATE AXLE DRIVE DEVICE II

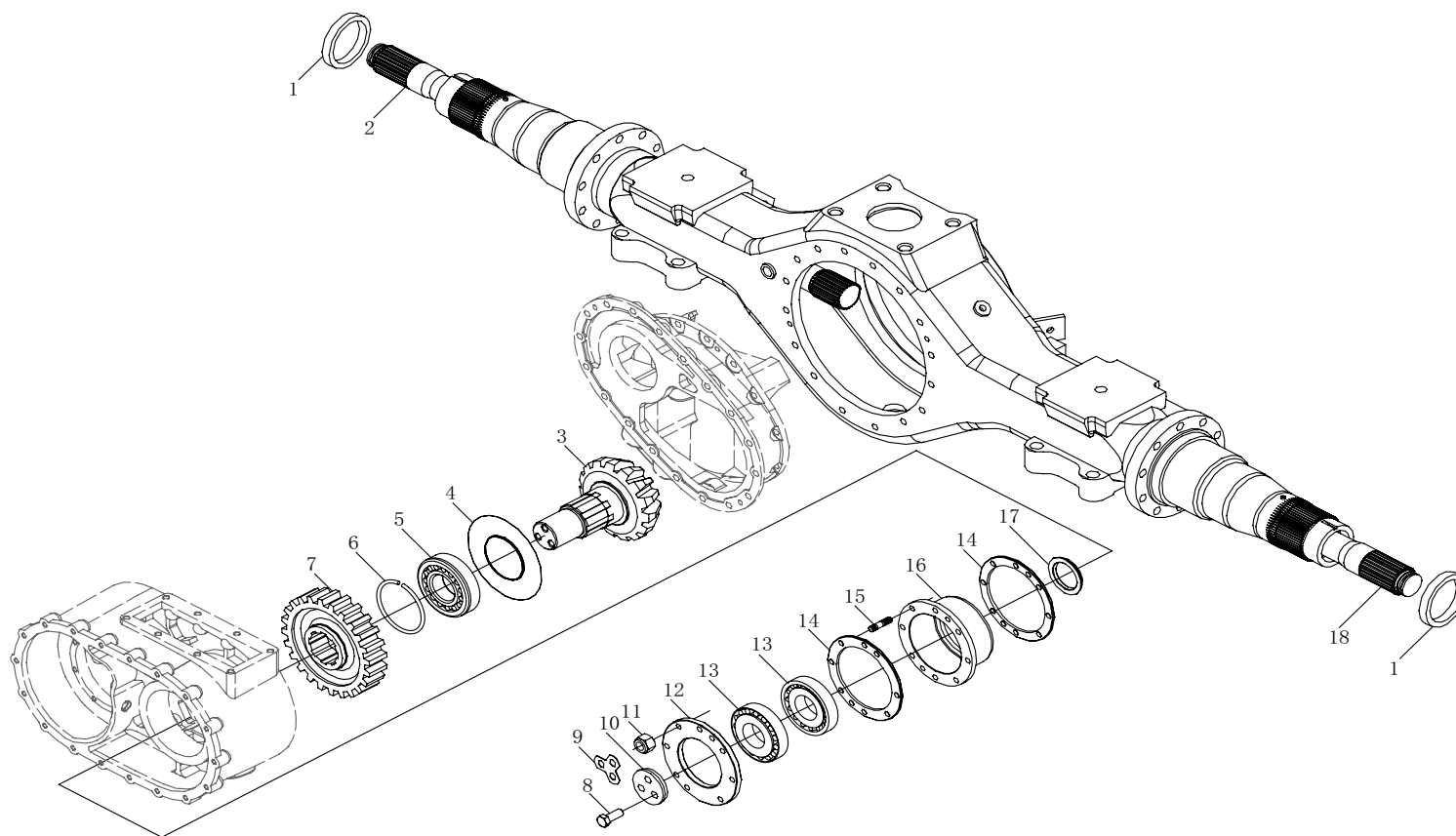
25-C



序号 No.	件号 Part No.	数量 Quantity	名称 Name	规格 Specification	适用产品 Products Applied	备注 Remark
1	90003074340	2	轴密封圈 Shaft Seal Ring			
2	990112340024	1	半轴(右) Half-Shaft(RH)			
	DZ9112340222	1	半轴(右) Half-Shaft(RH)		用于加宽桥 For Widened Axle	
3	99014320125	1	主动锥齿轮 Drive Bevel Gear		i=4.8, 5.73, 4.42	
	99014320145	1	主动锥齿轮 Drive Bevel Gear		i=6.72	
	99014320147	1	主动锥齿轮 Drive Bevel Gear		i=7.49	
	99014320148	1	主动锥齿轮 Drive Bevel Gear		i=8.40	
	99014320149	1	主动锥齿轮 Drive Bevel Gear		i=9.49	
4	99014320174	1	挡油片 Oil Slinger			
5	99014320257	1	滚柱轴承 Roller Bearing			
6	99014320256	1	钢丝档圈 Steel Wire Retainer			
7	99014320208	1	从动圆柱齿轮 Driven Cylindrical Gear		i=4.8	
	99014320137	1	从动圆柱齿轮 Driven Cylindrical Gear		i=5.73, 6.72	
	99014320001	3	从动圆柱齿轮 Driven Cylindrical Gear		i=4.42	

斯太尔驱动中桥驱动装置 II 装置图
STEYR DRIVE INTERMEDIATE AXLE DRIVE DEVICE II

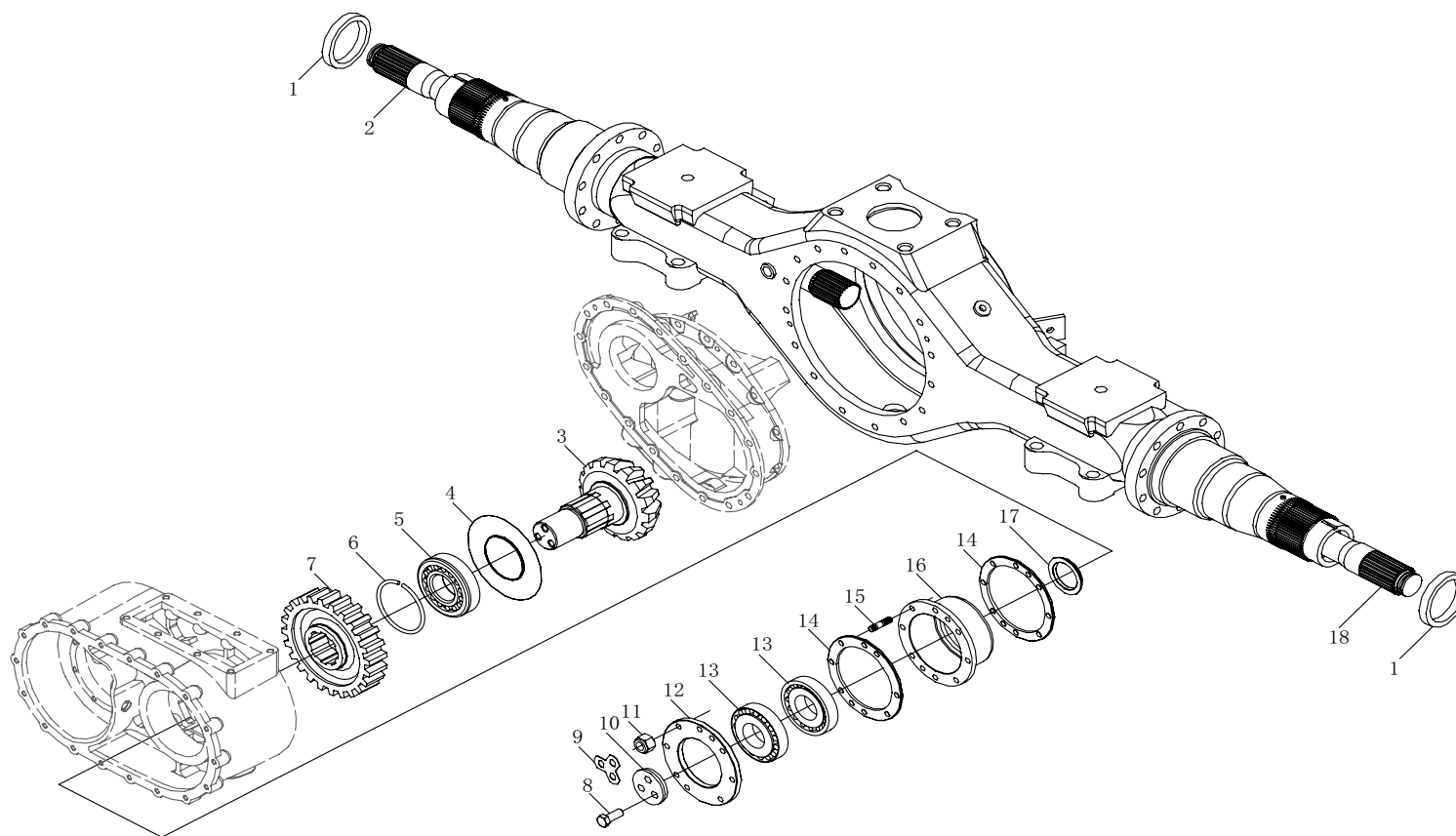
25-C



序号 No.	件号 Part No.	数量 Quantity	名称 Name	规格 Specification	适用产品 Products Applied	备注 Remark
8	Q150B1430TF2	1	六角头螺栓 Hexagon Head Bolt			
9	AZ9114320002	1	防松锁片 Check Lock Plate			
10	780320088	1	隔套 Spacing Sleeve			
11	Q33210	8	2型全金属六角锁紧螺母 2-Type All Metal Hexagon Lock Nut			
12	99014320128	1	轴承外环压板 Bearing Outer Race Pressure Plate			
13	31311GB/T297-94	2	圆锥滚子轴承 Tapered Roller Bearing			
14	11800320131	按需 On-Demand	调整垫片 Adjusting Shim			
	99014320131	按需 On-Demand	调整垫片 Adjusting Shim			
	99014320132	按需 On-Demand	调整垫片 Adjusting Shim			
	99014320133	按需 On-Demand	调整垫片 Adjusting Shim			
	99014320134	按需 On-Demand	调整垫片 Adjusting Shim			
15	Q1201040F3	8	双头螺栓 Stud Bolt			
16	99014320129	1	轴承座 Bearing Seat			

斯太尔驱动中桥驱动装置 II 装置图
STEYR DRIVE INTERMEDIATE AXLE DRIVE DEVICE II

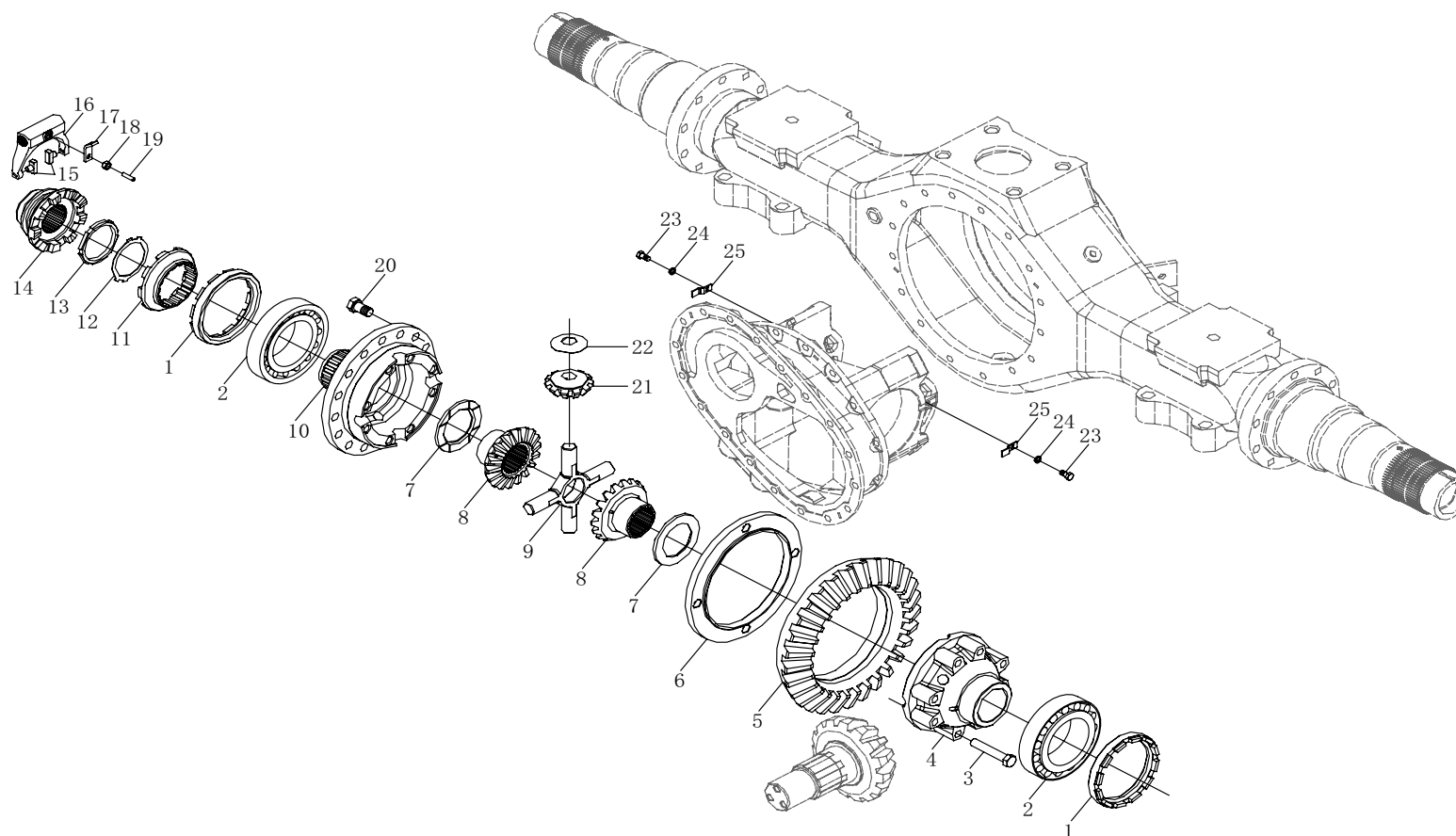
25-C



序号 No.	件号 Part No.	数量 Quantity	名称 Name	规格 Specification	适用产品 Products Applied	备注 Remark
17	99014320140	1	隔圈 Distance Ring			
18	99012340023	1	半轴(左) Half-Shaft(LH)			
	DZ9112340221	1	半轴(左) Half-Shaft(LH)		用于加宽桥 For Widened Axle	

斯太尔驱动中桥驱动装置III装置图
STEYR DRIVE INTERMEDIATE AXLE DRIVE DEVICE III

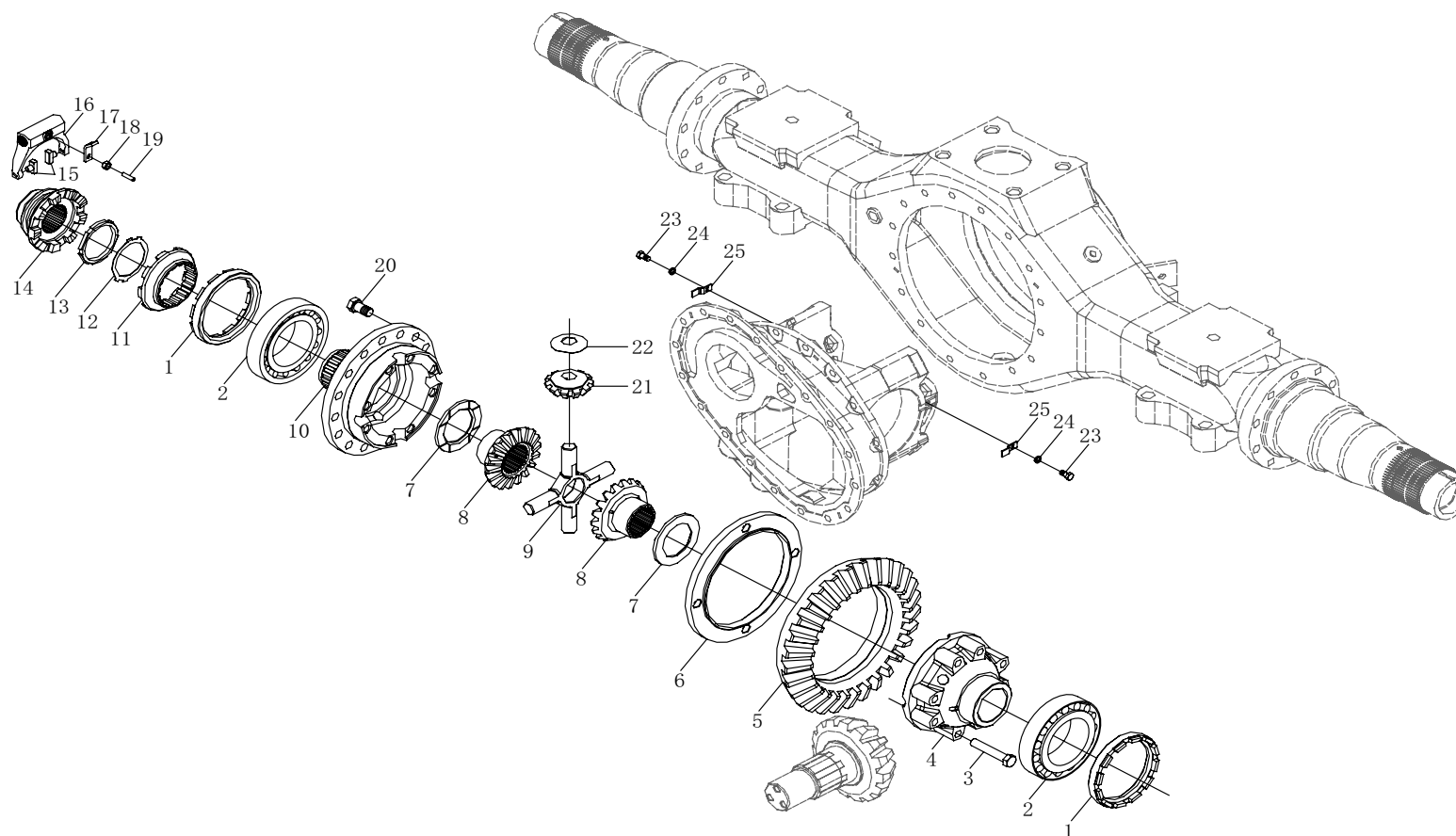
25-D



序号 No.	件号 Part No.	数量 Quantity	名称 Name	规格 Specification	适用产品 Products Applied	备注 Remark
1	13809320159	2	差速器调整螺母 Differential Adjusting Nut			
2	32213GB/T297-94	2	圆柱滚子轴承 Cylindrical Roller Bearing			
3	DZ9114320011	16	六角头螺栓 Hexagon Head Bolt		i=4.8, 5.73, 6.72	
	DZ9114320012	16	六角头螺栓 Hexagon Head Bolt		i=7.49, 8.40, 9.49	
4	99012320008	1	差速器壳(右) Differential Case(RH)			
5	99014320126	1	从动锥齿轮 Driven Bevel Gear		i=5.73, 4.42	
	99014320146	1	从动锥齿轮 Driven Bevel Gear		i=6.72	
	99014320150	1	从动锥齿轮 Driven Bevel Gear		i=7.49	
	99014320151	1	从动锥齿轮 Driven Bevel Gear		i=8.40	
	99014320151	1	从动锥齿轮 Driven Bevel Gear		i=9.49	
6	99014320153	1	差速器壳垫片 Differential Case Shim			
7	180320012	按需 On-Demand	调整垫片 Adjusting Shim			
	180320131	按需 On-Demand	调整垫片 Adjusting Shim			

斯太尔驱动中桥驱动装置III装置图

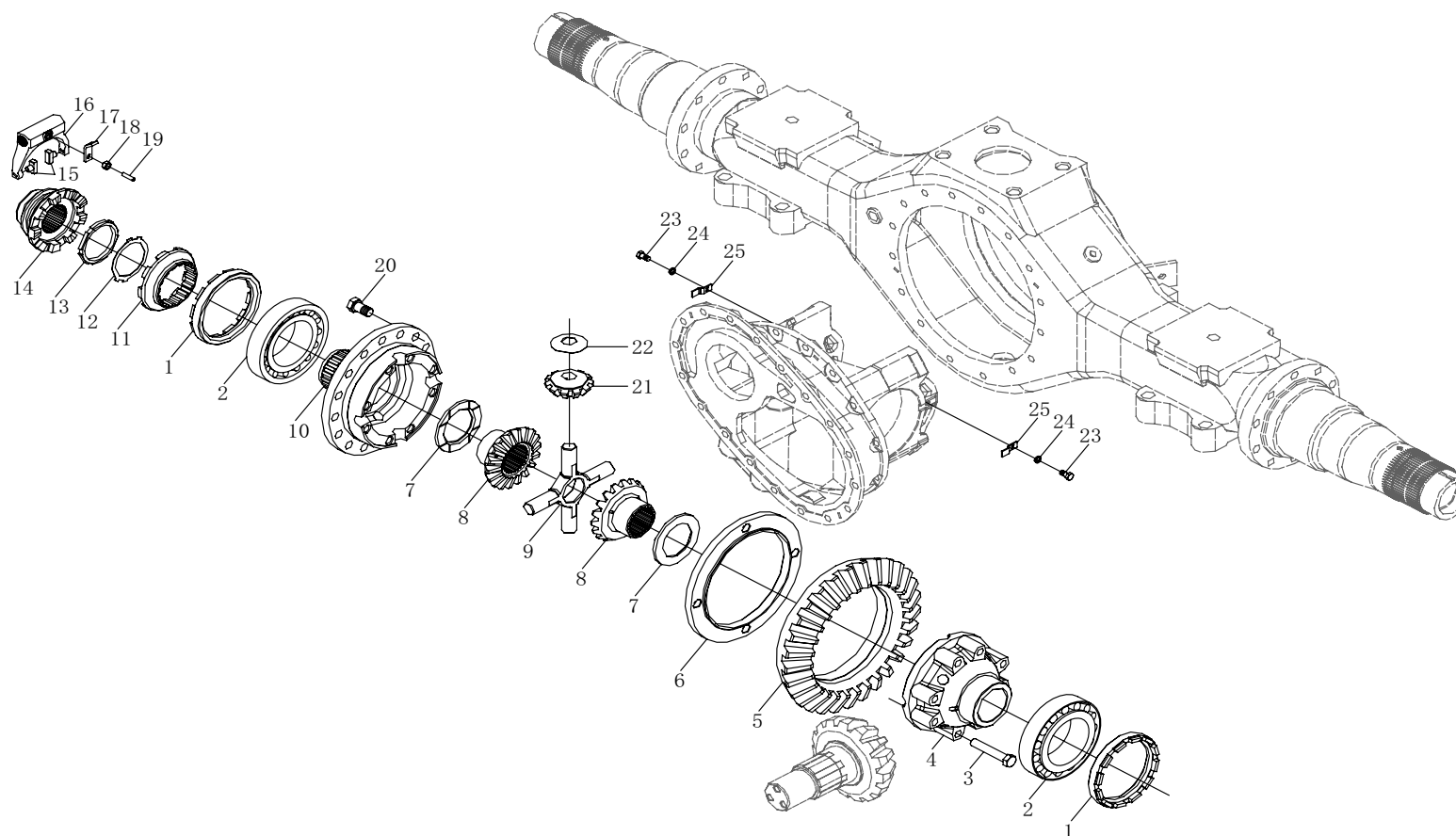
STEYR DRIVE INTERMEDIATE AXLE DRIVE DEVICE III

25-D

序号 No.	件号 Part No.	数量 Quantity	名称 Name	规格 Specification	适用产品 Products Applied	备注 Remark
7	180320132	按需 On-Demand	调整垫片 Adjusting Shim			
	3809320189	按需 On-Demand	调整垫片 Adjusting Shim			
8	990112320009	2	半轴齿轮 Half-Shaft Gear			
9	99014320091	1	差速器十字轴 Differential Spider			
10	99014320127	1	差速器壳(左) Differential Case(LH)			
11	13809320155	1	固定啮合套 Fixing Engagement Sleeve			
12	13809320158	1	锁止垫片 Lock Shim			
13	13809320157	1	圆螺母 Round Nut			
14	13809320156	1	滑动啮合套 Sliding Engagement Sleeve			
15	800320077	2	滑块 Sliding Block			
16	99012320014	1	拨叉 Toggle Fork			
17	99012320023	1	弯板 Plate Bending			
18	Q340B8	1	I型六角螺母 Hexagon Full Nut			

斯太尔驱动中桥驱动装置III装置图
STEYR DRIVE INTERMEDIATE AXLE DRIVE DEVICE III

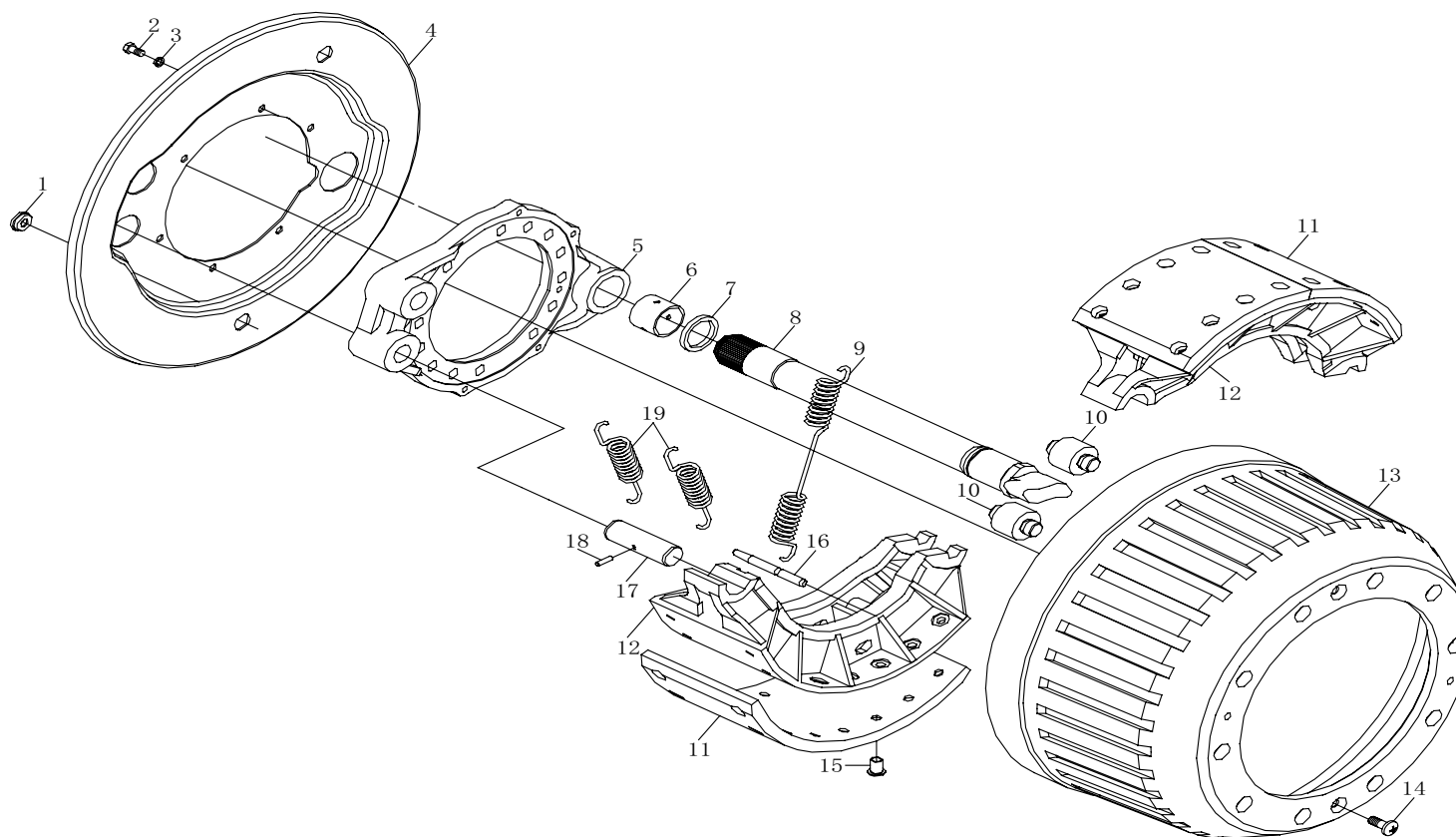
25-D



序号 No.	件号 Part No.	数量 Quantity	名称 Name	规格 Specification	适用产品 Products Applied	备注 Remark
19	Q2800825	1	开槽锥端紧定螺钉 Slotted Lock Screws With Cone Point			
20	DZ9114320111	16	六角头螺栓 Hexagon Head Bolt			
21	99012320010	4	行星齿轮 Planetary Gear			
22	99012320150	4	行星齿轮垫片 Planetary Gear Shim			
23	Q150B0816	2	六角头螺栓 Hexagon Head Bolt			
24	Q40308	2	弹簧垫圈 Spring Washer			
25	79000320027	2	止动片 Stop Plate			

斯太尔驱动中桥制动器 I 装置图
STEYR DRIVE INTERMEDIATE AXLE BRAKE I

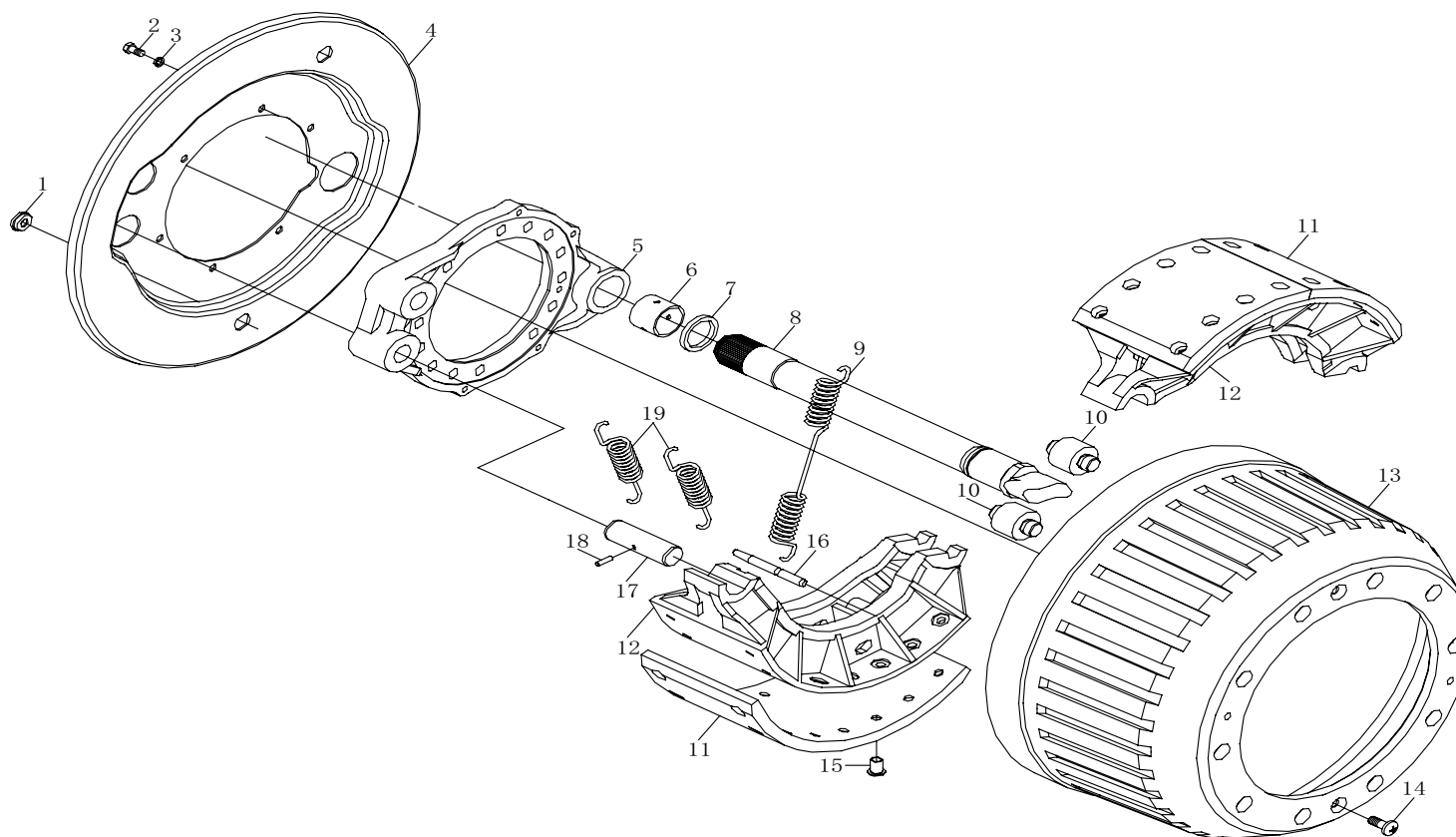
25-E



序号 No.	件号 Part No.	数量 Quantity	名称 Name	规格 Specification	适用产品 Products Applied	备注 Remark
1	880340037	4	密封塞 Seal Plug			
2	Q150B0816	12	六角头螺栓 Hexagon Head Bolt			
3	Q40308	12	弹簧垫圈 Spring Washer			
4	880340018	2	制动器防尘罩 Brake Dust Cover			
	99112340012	2	制动器防尘罩 Brake Dust Cover		用于 ABS For ABS	
5	99000340062	2	制动底板 Brake Bottom Plate			
6	DZ9100340017	2	衬套 Bushing			
7	880440010	4	垫片 Shim			
8	9112340026	1	制动凸轮轴 (左) Brake Camshaft(LH)			
	9112340027	1	制动凸轮轴 (右) Brake Camshaft(RH)			
	DZ9112340056	1	制动凸轮轴 (左) Brake Camshaft(LH)		用于加宽桥 For Widened Axle	
	DZ9112340057	1	制动凸轮轴 (右) Brake Camshaft(RH)		用于加宽桥 For Widened Axle	
9	880440012	2	回位弹簧 Return Spring			
10	99000340027	4	滚轮 Roller			

斯太尔驱动中桥制动器 I 装置图
STEYR DRIVE INTERMEDIATE AXLE BRAKE I

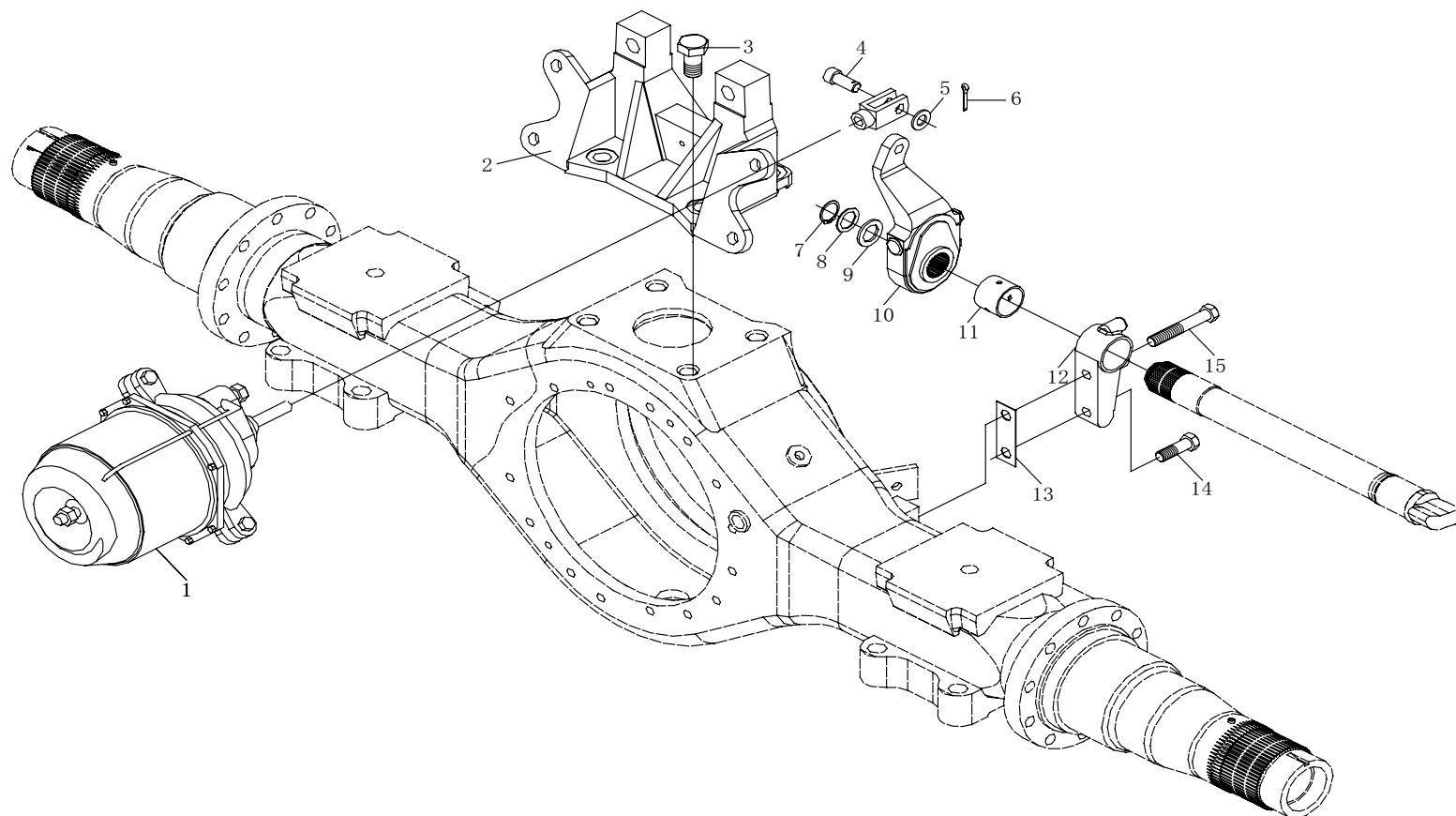
25-E



序号 No.	件号 Part No.	数量 Quantity	名称 Name	规格 Specification	适用产品 Products Applied	备注 Remark
11	99000340068	8	制动摩擦片 Brake Lining			
12	99000340061	4	制动蹄 Brake Shoe			
13	99112340006	2	制动鼓 Brake Drum			
14	Q2541020	4	十字槽盘头螺钉 Cross Recessed Pan Head Screw			
15	89000340068	64	铆钉 Rivet			
16	880440032	4	支销 Fulcrum Pin			
17	99000340064	4	销轴 Axis Pin			
18	Q5280624	4	弹性圆柱销 Spring Cylindrical Pin			
19	99112340049	4	回位弹簧 Return Spring			

斯太尔驱动中桥制动器 II 装置图
STEYR DRIVE INTERMEDIATE AXLE BRAKE II

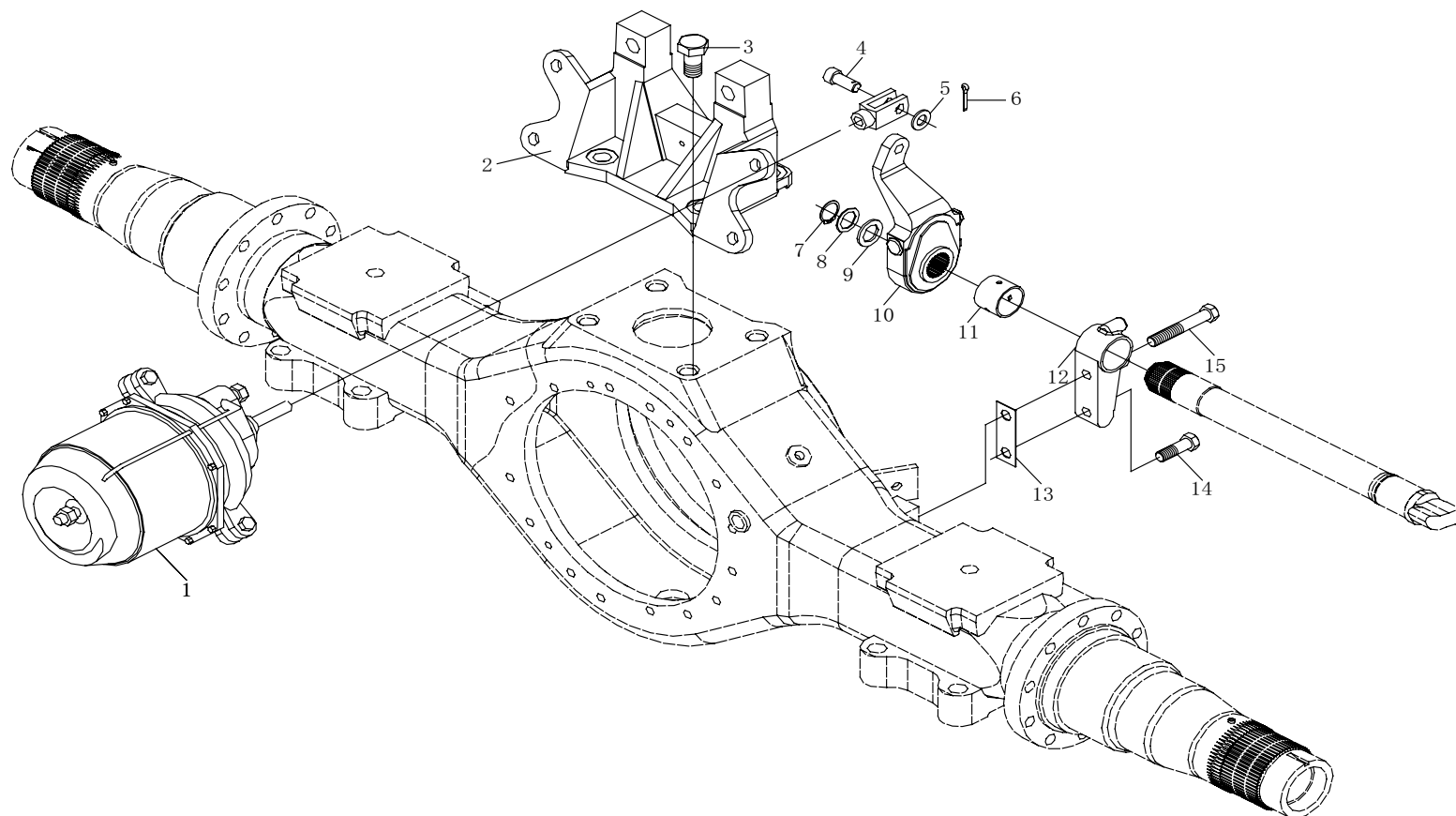
25-F



序号 No.	件号 Part No.	数量 Quantity	名称 Name	规格 Specification	适用产品 Products Applied	备注 Remark
1	AZ9100368303	2	膜片式弹簧制动气室(重庆) Diaphragm Spring Brake Chamber(CHONGQING)			
	AZ9100369303	2	膜片式弹簧制动气室(明水) Diaphragm Spring Brake Chamber(MINGSHUI)			
2	99014340042	1	气室支架 Chamber Bracket			
3	Q151B2040TF2	4	六角头螺栓 Hexagon Head Bolt			
4	90003903661	2	销轴 Axis Pin			
5	Q40114	2	平垫圈 Plate Washer			
6	Q500422	2	开口销 Cotter Pin			
7	Q43125	2	轴用弹性档圈 Spring Retainer For Shaft			
8	803228	按需 On-Demand	调整垫片 Adjusting Shim			
	803229	按需 On-Demand	调整垫片 Adjusting Shim			
	803230	按需 On-Demand	调整垫片 Adjusting Shim			
	803246	按需 On-Demand	调整垫片 Adjusting Shim			
9	880340022	2	垫圈 Washer			

斯太尔驱动中桥制动器 II 装置图
STEYR DRIVE INTERMEDIATE AXLE BRAKE II

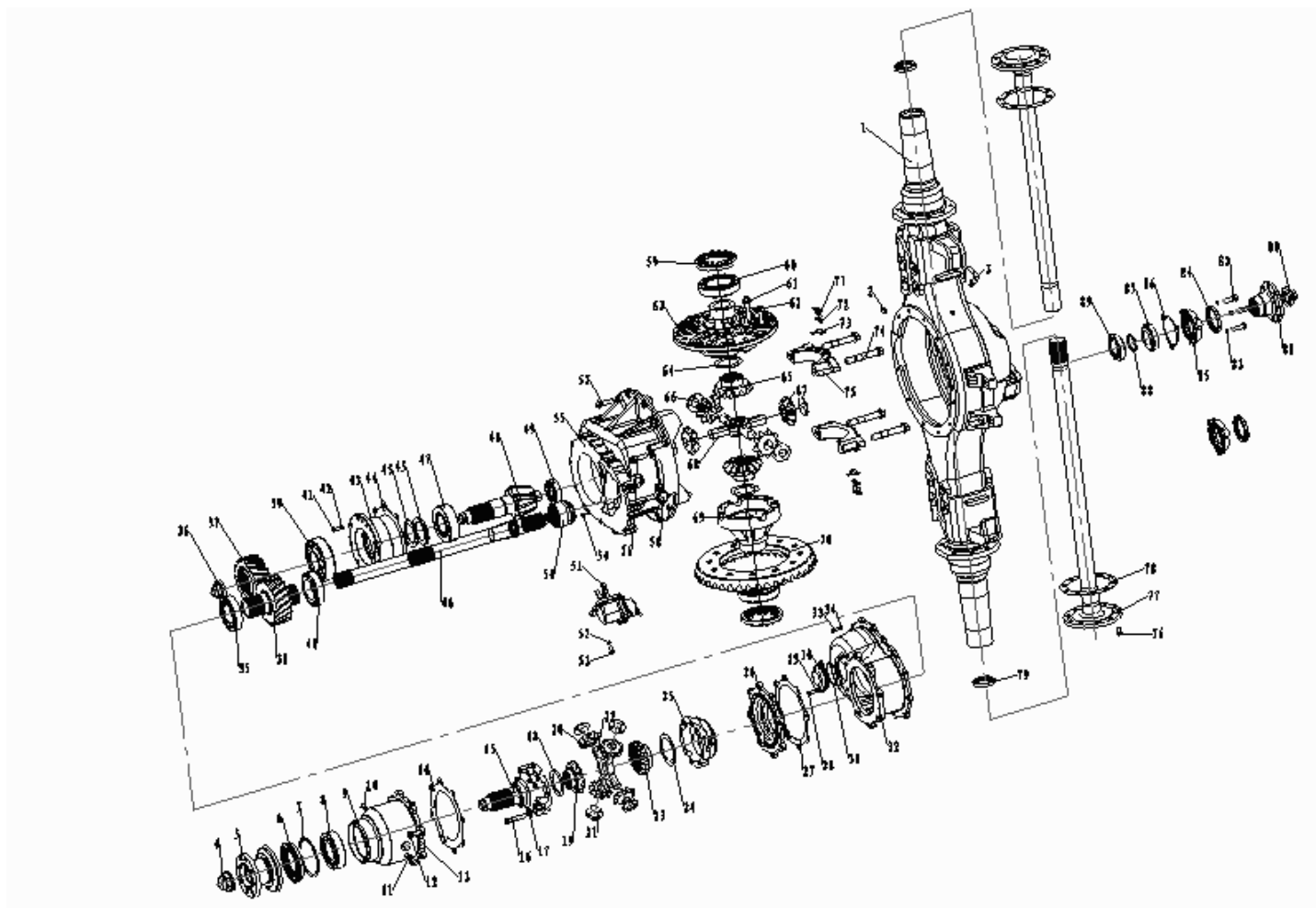
25-F



序号 No.	件号 Part No.	数量 Quantity	名称 Name	规格 Specification	适用产品 Products Applied	备注 Remark
10	99000340057	1	间隙调整臂总成(右) Clearance Adjusting Arm Assembly(RH)			
	99000340056	1	间隙调整臂总成(右) Clearance Adjusting Arm Assembly(RH)			
11	DZ9100340017	2	衬套 Bushing			
12	99014340041	2	凸轮轴支架 Camshaft Bracket			
13	880340031	按需 On-Demand	调整垫片 Adjusting Shim			
	880340032	按需 On-Demand	调整垫片 Adjusting Shim			
	880340033	按需 On-Demand	调整垫片 Adjusting Shim			
	880340034	按需 On-Demand	调整垫片 Adjusting Shim			
14	Q151B1440	2	六角头螺栓 Hexagon Head Bolt			
15	Q151B1490	2	六角头螺栓 Hexagon Head Bolt			

457 中桥减速与桥壳总成 457 INTERMEDIATE AXLE REDUCER AND CASE ASSEMBLY

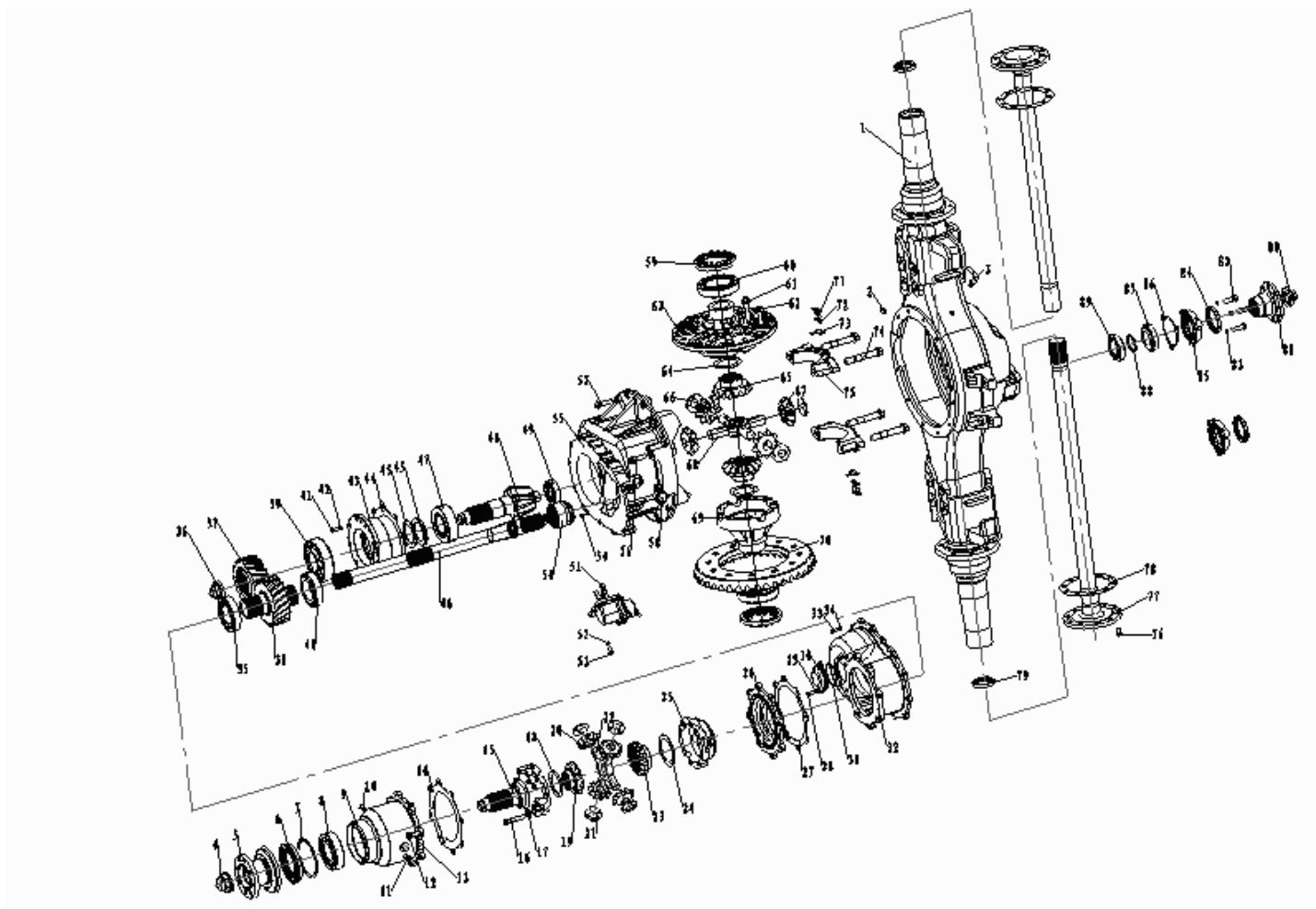
25-G



序号 No.	件号 Part No.	数量 Quantity	名称 Name	规格 Specification	适用产品 Products Applied	备注 Remark
1	Z2501010HL	1	中桥外壳总成 Intermediate Axle Case Assembly			
2	Q62104	1	放油螺塞 Drain Screw			
3	SQ2401065B-A01	1	橡胶通气塞总成 Rubber Ventilation Plug Assembly			
4	2402071D1H	1	螺母 - 紧固轴间差速器突缘 Nut- For Tightening Interaxial Differential Flange			
5	2402065D1H	1	轴间差速器突缘总成 Interaxial Differential Flange Assembly			
6	2402055D1H	1	轴间差速器油封总成 Interaxial Differential Oil Seal Assembly			
7	Q430140	1	挡圈 - 轴间差速器轴承 Retainer- Interaxial Differential Bearing			
8	6313K	1	轴间差速器轴承 Interaxial Differential Bearing			
9	S2507011K5H	1	外壳 - 轴间差速器 Case- Interaxial Differential			
10	CQ61803	1	放油螺塞 Drain Screw			
11	CQ61803	1	加油螺塞 Filling Screw			
12	CQ1501455	8	螺栓 - 紧固轴间差速器外壳 Bolt- For Tightening Interaxial Differential Housing			
13	Q40314	8	弹簧垫圈 Spring Washer			
14	S2507013K5H	1	垫片 - 轴间差速器外壳 Shim- Interaxial Differential Case			

457 中桥减速与桥壳总成 457 INTERMEDIATE AXLE REDUCER AND CASE ASSEMBLY

25-G



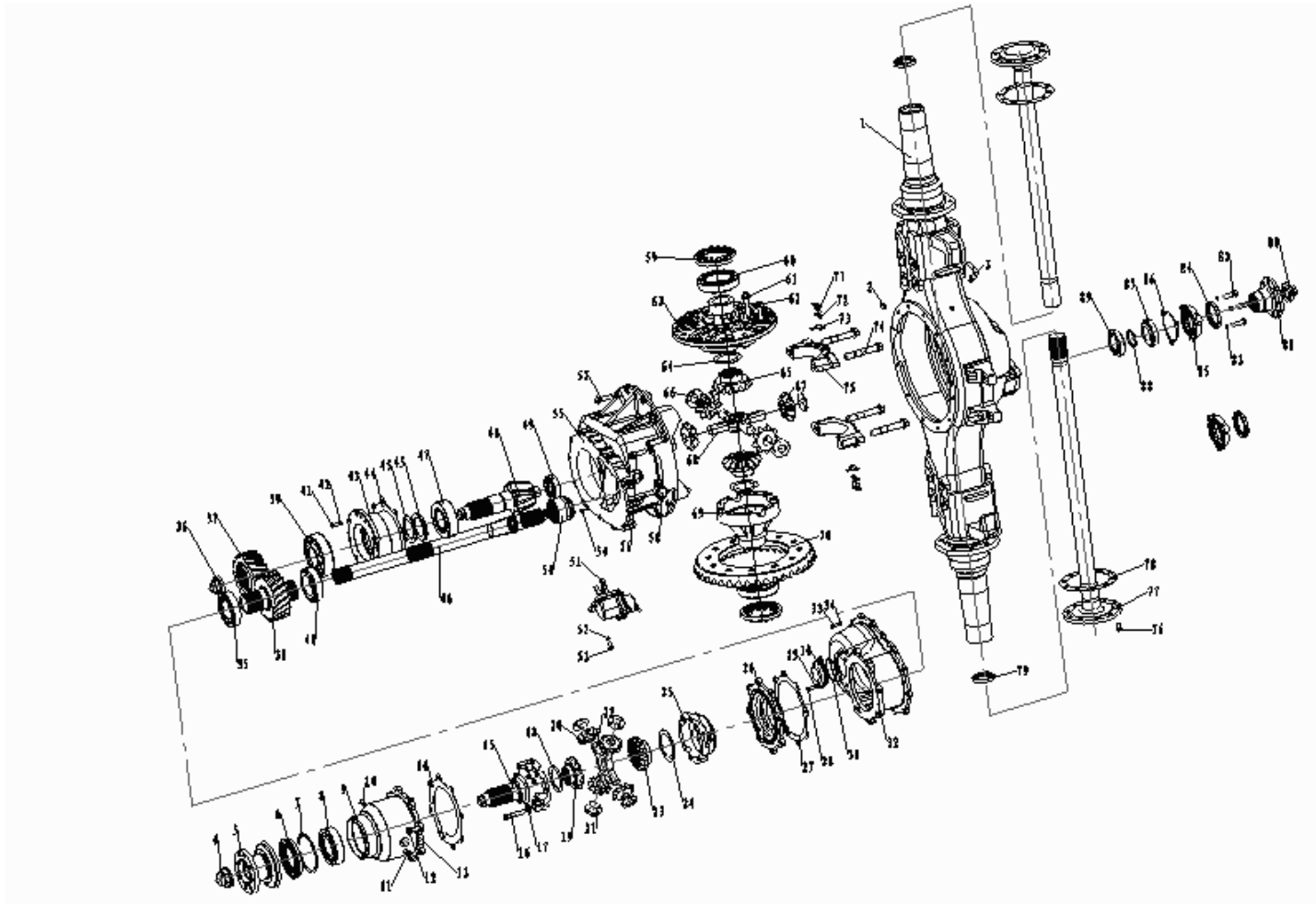
中桥系统 / INTERMEDIATE AXLE

25-42

序号 No.	件号 Part No.	数量 Quantity	名称 Name	规格 Specification	适用产品 Products Applied	备注 Remark
15	S2507057K5HB1	1	前壳 - 轴间差速器 Front Case- Interaxial Differential			
16	CQ1601475	8	螺栓 - 紧固轴间差速器壳 Bolt-For Tightening Interaxial Differential Case			
17	2403038A31	8	平垫圈 Plate Washer			
18	2403053A31	1	垫片 - 前半轴齿轮 Shim-Front Half-Shaft Gear			
19	2403051A31	1	前半轴齿轮 - 轴间差速器 Front Half-Shaft Gear- Interaxial Differential			
20	2403056A31	4	行星齿轮 - 轴间差速器 Planetary Gear- Interaxial Differential			
21	S2403058A31	4	垫片 - 行星齿轮 Shim-Planetary Gear			
22	2403061A31A1	1	十字轴 - 轴间差速器 Spider-Interaxial Differential			
23	S2507068K5H	1	后半轴齿轮 - 轴间差速器 Rear Half-Shaft Gear- Interaxial Differential			
24	S2507072K5H	1	垫片 - 后半轴齿轮 Shim-Rear Half-Shaft			
25	S2507058K5HB1	1	后壳 - 轴间差速器 Rear Case- Interaxial Differential			
26	S2502126K5H	1	轴承座 - 主动圆柱齿轮 Bearing Seat-Drive Cylindrical Gear			
27	S2502131K5H	2	调整垫片 - 主动圆柱齿轮轴承座 (t=0.5) Adjusting Shim- Drive Cylindrical Gear Bearing Seat(t=0.5)			
	S2502132K5H	3	调整垫片 - 主动圆柱齿轮轴承座 (t=0.2) Adjusting Shim- Drive Cylindrical Gear Bearing Seat(t=0.2)			

457 中桥减速与桥壳总成 457 INTERMEDIATE AXLE REDUCER AND CASE ASSEMBLY

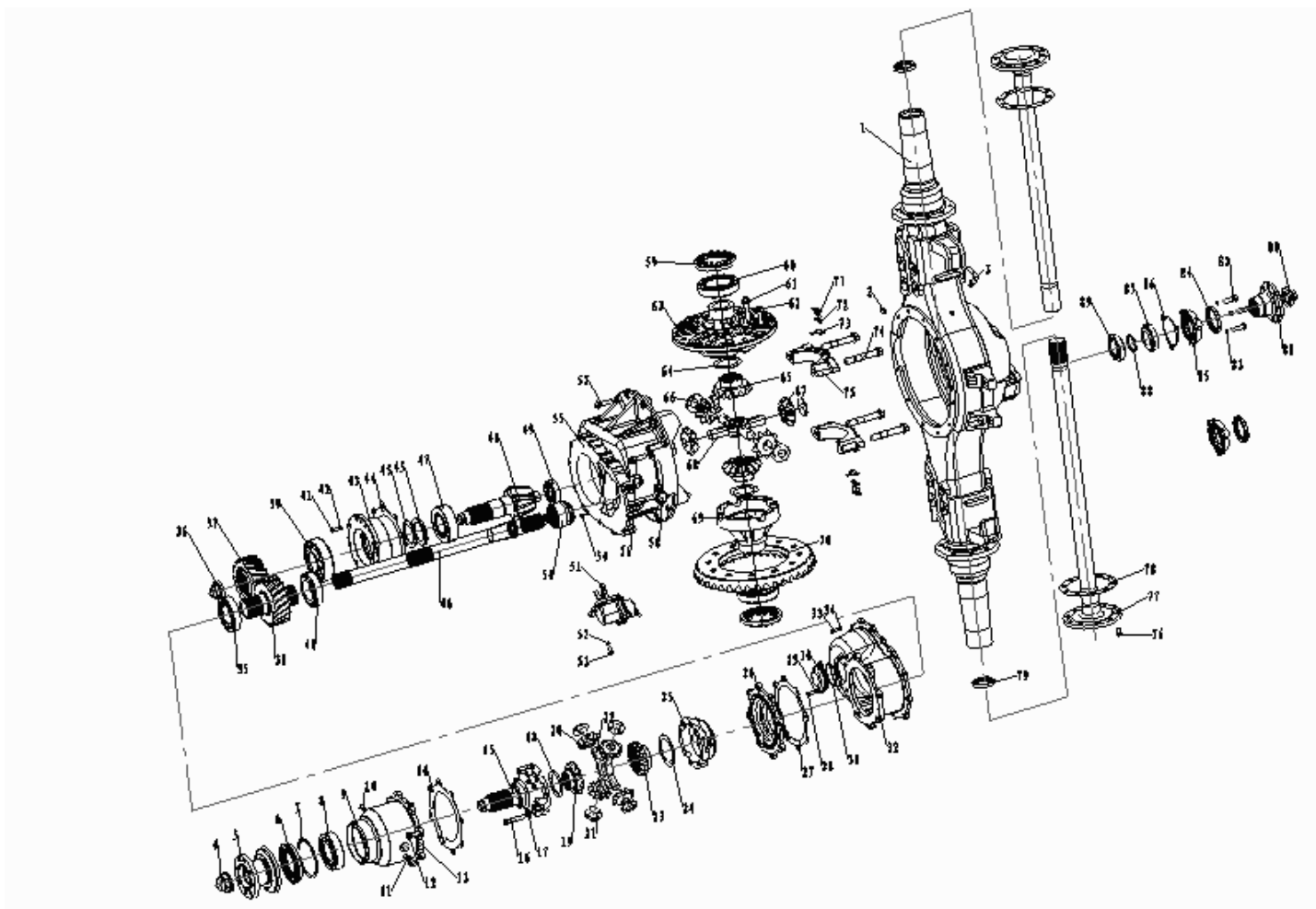
25-G



序号 No.	件号 Part No.	数量 Quantity	名称 Name	规格 Specification	适用产品 Products Applied	备注 Remark
27	S2502133K5H	4	调整垫片 - 主动圆柱齿轮轴承座 (t=0.1) Adjusting Shim- Drive Cylindrical Gear Bearing Seat(t=0.1)			
	S2502134K5H	4	调整垫片 - 主动圆柱齿轮轴承座 (t=0.05) Adjusting Shim- Drive Cylindrical Gear Bearing Seat(t=0.05)			
28	CQ1501020	2	螺栓 - 紧固圆柱齿轮外壳堵盖 Bolt-For Tightening Cylindrical Gear Case Plug Cover			
29	Q40310	2	弹簧垫圈 Spring Washer			
30	S2502122K5H	1	堵盖 - 圆柱齿轮外壳 Plug Cover-Cylindrical Gear Case			
31	SQ2502124K5H	1	O 形圈 O-Ring			
32	S2502121K5H	1	外壳 - 圆柱齿轮 Case- Cylindrical Gear			
33	CQ1501440	13	螺栓 - 紧固圆柱齿轮外壳 Bolt-For Tightening Cylindrical Gear Housing			
34	Q40314	13	弹簧垫圈 Spring Washer			
35	30215	1	主动圆柱齿轮轴承总成 Drive Cylindrical Gear Bearing Assembly			
36	2402071D1H	1	螺母 - 紧固从动圆柱齿轮 Nut-For Tightening Driven Cylindrical Gear			
37	S2502107K5H	1	主动圆柱齿轮 Drive Cylindrical Gear			
38	S2502108K5H	1	从动圆柱齿轮 Driven Cylindrical Gear			
39	30613B	1	圆锥滚子轴承 Tapered Roller Bearing			

457 中桥减速与桥壳总成 457 INTERMEDIATE AXLE REDUCER AND CASE ASSEMBLY

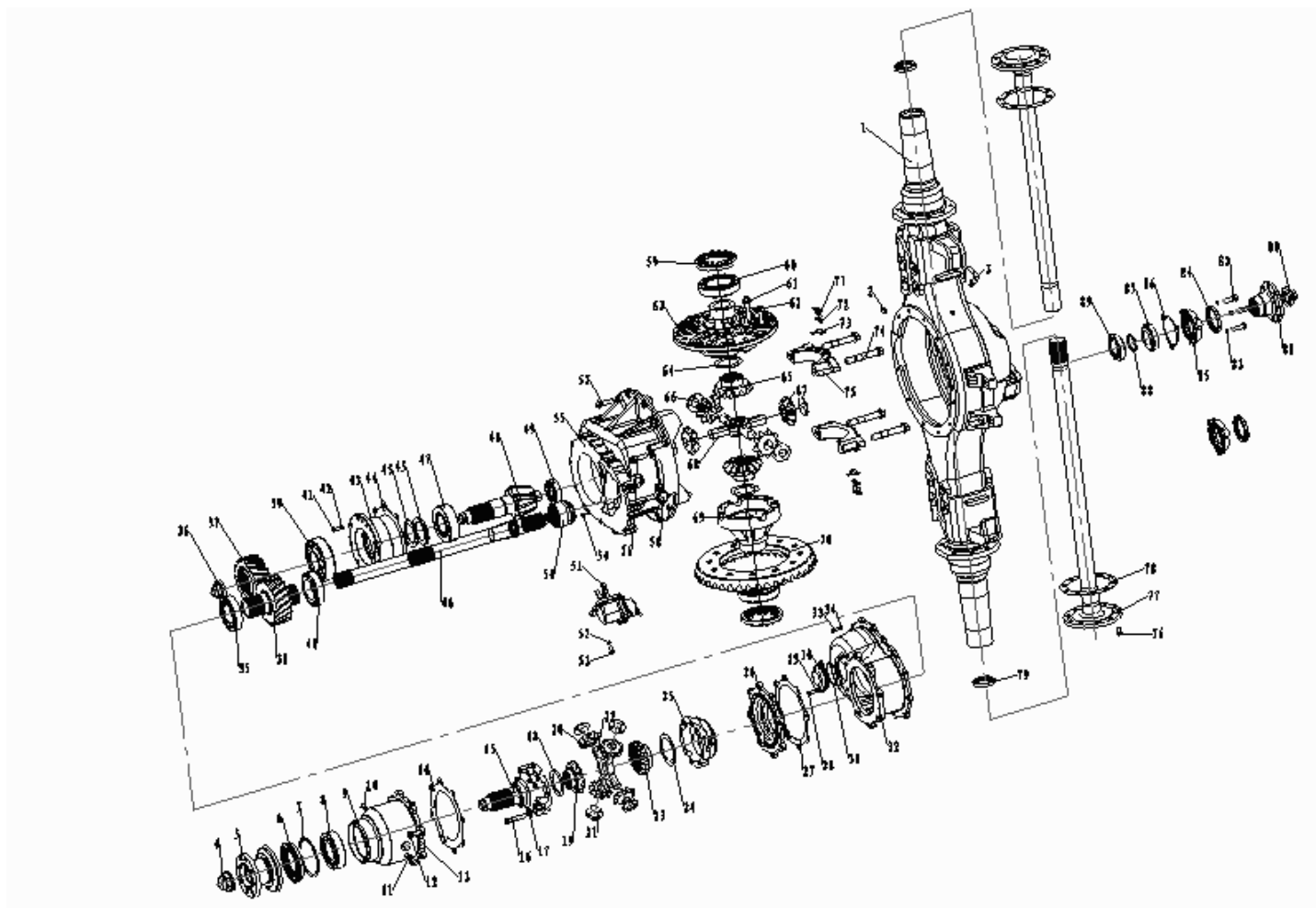
25-G



序号 No.	件号 Part No.	数量 Quantity	名称 Name	规格 Specification	适用产品 Products Applied	备注 Remark
40	30215	1	主动圆柱齿轮轴承总成 Drive Cylindrical Gear Bearing Assembly			
41	CQ1501440	8	螺栓 - 紧固主动锥齿轮轴承座 Blot-For Tightening Drive Bevel Gear Bearing Seat			
42	2403038A31	8	平垫圈 Plate Washer			
43	S2502049K5H	1	轴承座 - 主动锥齿轮 Bearing Seat- Drive Bevel Gear			
44	S2502097K5H	1	调整垫片 - 主动锥齿轮轴承座 Adjusting Shim- Drive Bevel Gear Bearing Seat			
	S2502098K5H	1	调整垫片 - 主动锥齿轮轴承座 Adjusting Shim- Drive Bevel Gear Bearing Seat			
	S2502099K5H	1	调整垫片 - 主动锥齿轮轴承座 Adjusting Shim- Drive Bevel Gear Bearing Seat			
45	2402081D1HB1	1	调整垫圈 - 主动锥齿轮轴承 Adjusting Washer- Drive Bevel Gear Bearing			
	2402082D1HB1	1	调整垫圈 - 主动锥齿轮轴承 Adjusting Washer- Drive Bevel Gear Bearing			
	2402083D1HB1	1	调整垫圈 - 主动锥齿轮轴承 Adjusting Washer- Drive Bevel Gear Bearing			
	2402084D1HB1	1	调整垫圈 - 主动锥齿轮轴承 Adjusting Washer- Drive Bevel Gear Bearing			
	2402086D1HB1	1	调整垫圈 - 主动锥齿轮轴承 Adjusting Washer- Drive Bevel Gear Bearing			
	2402087D1HB1	1	调整垫圈 - 主动锥齿轮轴承 Adjusting Washer- Drive Bevel Gear Bearing			
	2402088D1HB1	1	调整垫圈 - 主动锥齿轮轴承 Adjusting Washer- Drive Bevel Gear Bearing			

457 中桥减速与桥壳总成 457 INTERMEDIATE AXLE REDUCER AND CASE ASSEMBLY

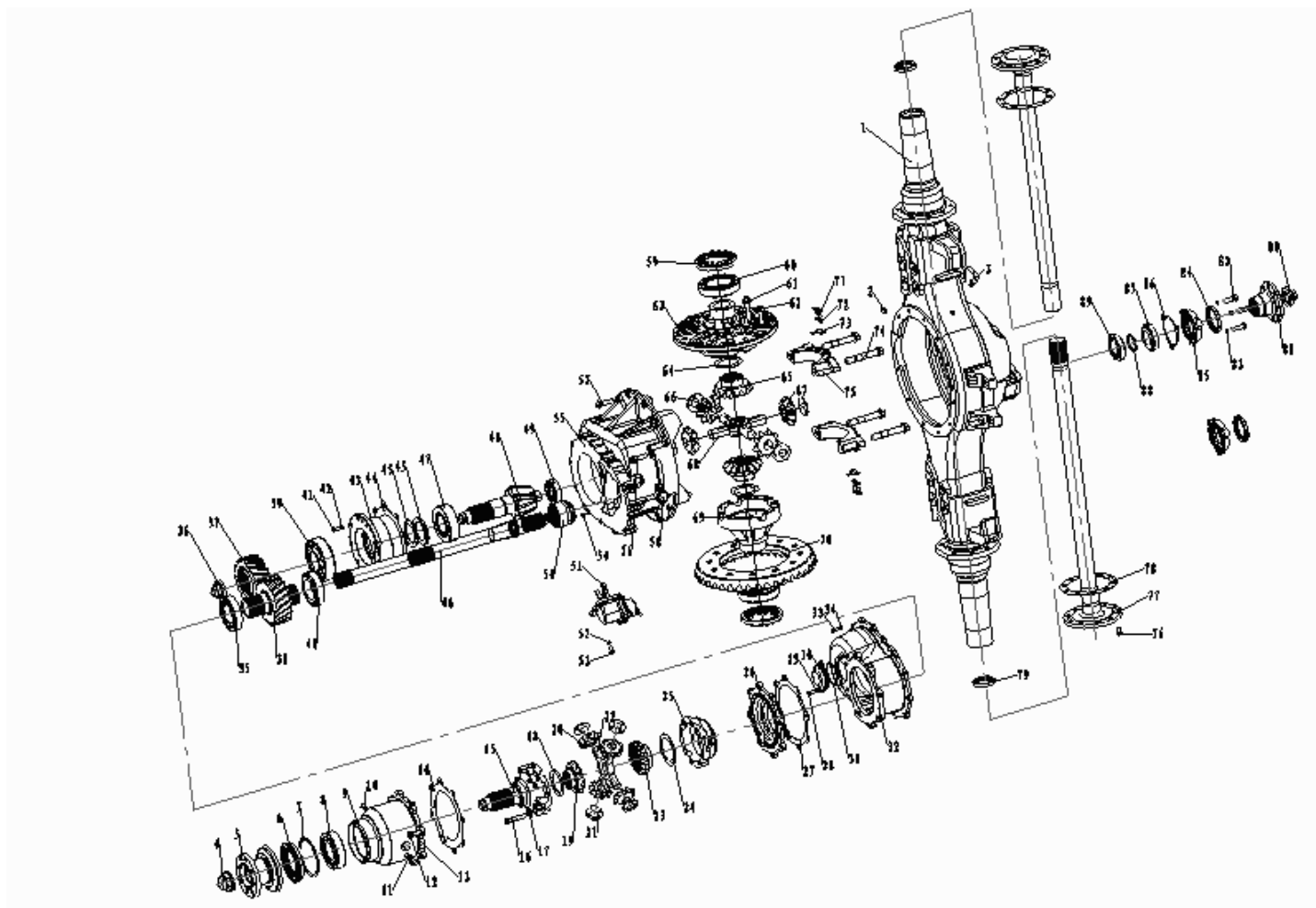
25-G



序号 No.	件号 Part No.	数量 Quantity	名称 Name	规格 Specification	适用产品 Products Applied	备注 Remark
45	2402089D1HB1	1	调整垫圈 - 主动锥齿轮轴承 Adjusting Washer- Drive Bevel Gear Bearing			
	2402091D1H	1	调整垫圈 - 主动锥齿轮轴承 Adjusting Washer- Drive Bevel Gear Bearing			
	2402092D1H	1	调整垫圈 - 主动锥齿轮轴承 Adjusting Washer- Drive Bevel Gear Bearing			
46	S2502161K5H	1	贯通轴 Thru Shaft			
47	9278/9220	1	圆锥滚子轴承 Tapered Roller Bearing			
48	S2502036K5H	1	主动锥齿轮 (速比: 4.44, 齿数: 9) Drive Bevel Gear(Speed Ratio : 4.44, Number Of Teeth : 9)			
	S2502036L5H	1	主动锥齿轮 (速比: 4.875, 齿数: 8) Drive Bevel Gear(Speed Ratio : 4.875, Number Of Teeth : 8)			
	S2502036M5H	1	主动锥齿轮 (速比: 5.286, 齿数: 7) Drive Bevel Gear(Speed Ratio : 5.286, Number Of Teeth : 7)			
	S2502036N5H	1	主动锥齿轮 (速比: 5.833, 齿数: 6) Drive Bevel Gear(Speed Ratio : 5.833, Number Of Teeth : 6)			
	S2502036P5H	1	主动锥齿轮 (速比: 6.33, 齿数: 6) Drive Bevel Gear(Speed Ratio : 6.33, Number Of Teeth : 6)			
49	42708K	1	主动锥齿轮圆柱滚子轴承总成 Drive Bevel Gear Cylindrical Roller Bearing Assembly			
50	S2508052K5H	1	齿套 - 轴间差速锁 Gear Sleeve- Interaxial Differential Lock			
51	SQ2508010K5H	1	轴间差速锁总成 Interaxial Differential Lock Assembly			
52	CQ1501030	4	螺栓 - 紧固外壳 Bolt-For Tightening Case			

457 中桥减速与桥壳总成 457 INTERMEDIATE AXLE REDUCER AND CASE ASSEMBLY

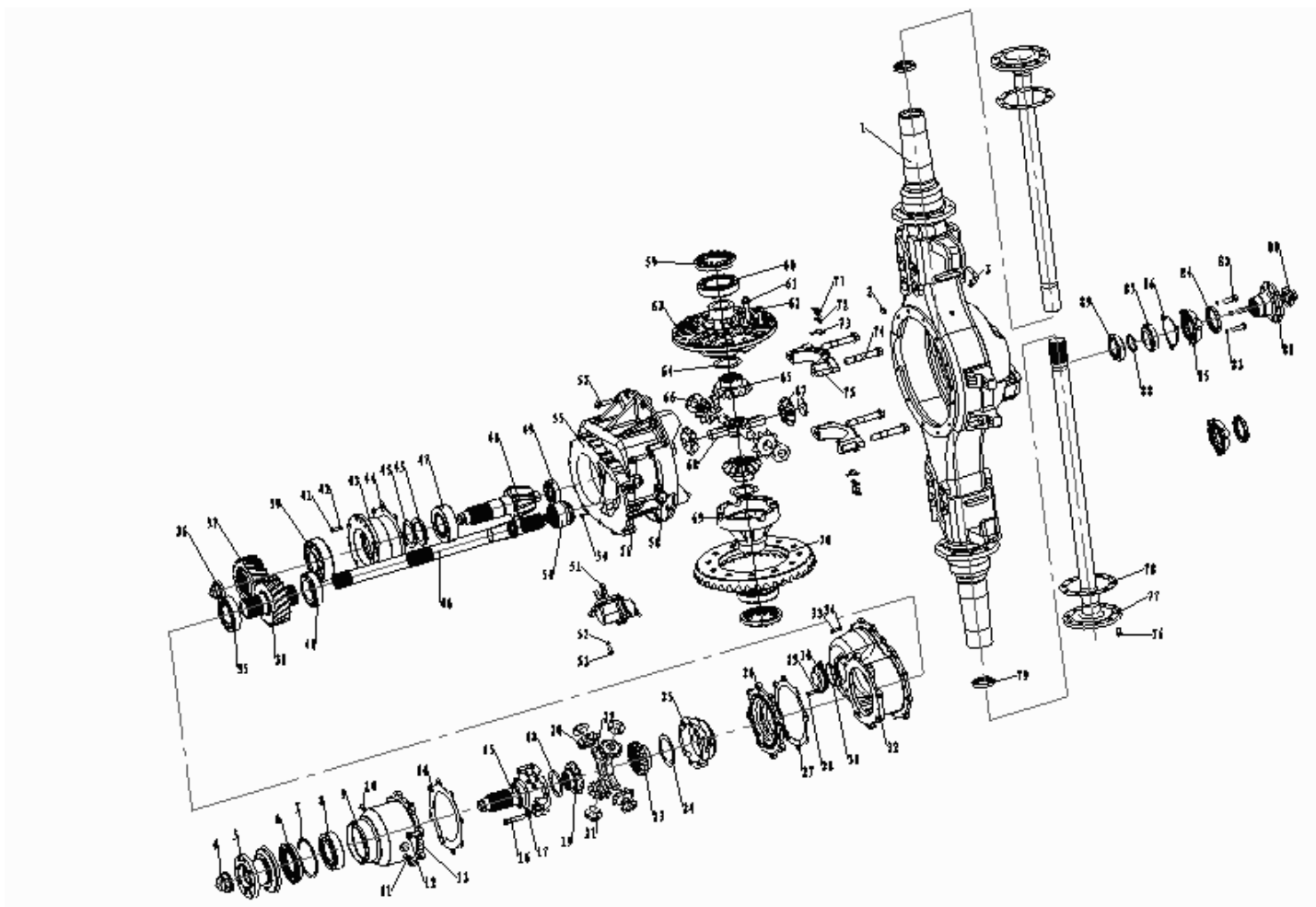
25-G



序号 No.	件号 Part No.	数量 Quantity	名称 Name	规格 Specification	适用产品 Products Applied	备注 Remark
53	Q40310	4	弹簧垫圈 Spring Washer			
54	CQ5241226	2	圆柱销 - 减速度器外壳 Cylindrical Pin-Reducer Case			
55	S2502018K5H	1	减速度器外壳 Reductor Housing			
56	2402017D1H	4	螺栓 - 紧固减速度器用 Bolt-For Tightening Reducer			
57	2402016D1H	8	螺栓 - 紧固减速度器用 Bolt-For Tightening Reducer			
58	Q62510	1	方头锥形加油螺塞 Square Head Cone Filling Plug			
59	2403071D1H	2	调整环 Adjusting Ring			
60	594A/592A	2	差速度器轴承总成 Differential Bearing Assembly			
61	2403023D1H	12	螺栓 - 紧固差速度器壳 Bolt-For Tightening Differential Case			
62	SQ2402063D1H	12	螺栓 - 紧固从动锥齿轮与差速度器左壳 Bolt-For Tightening Driven Bevel Gear And Differential Left Case			
63	2403017D1H	1	左壳 - 差速度器 Left Case- Differential		适用速比: 4.44/4.875/5.286 For Speed Ratio : 4.44/4.875/5.286	
	2403017G1H	1	左壳 - 差速度器 (适用速比: 5.833/6.33) Left Case- Differential(For Speed Ratio : 5.833/6.33)			
64	2403053D1H	2	垫片 - 半轴齿轮 Shim-Half-Shaft Gear			
65	2403051D1HB1	2	半轴齿轮 Half-Shaft Gear			

457 中桥减速与桥壳总成 457 INTERMEDIATE AXLE REDUCER AND CASE ASSEMBLY

25-G

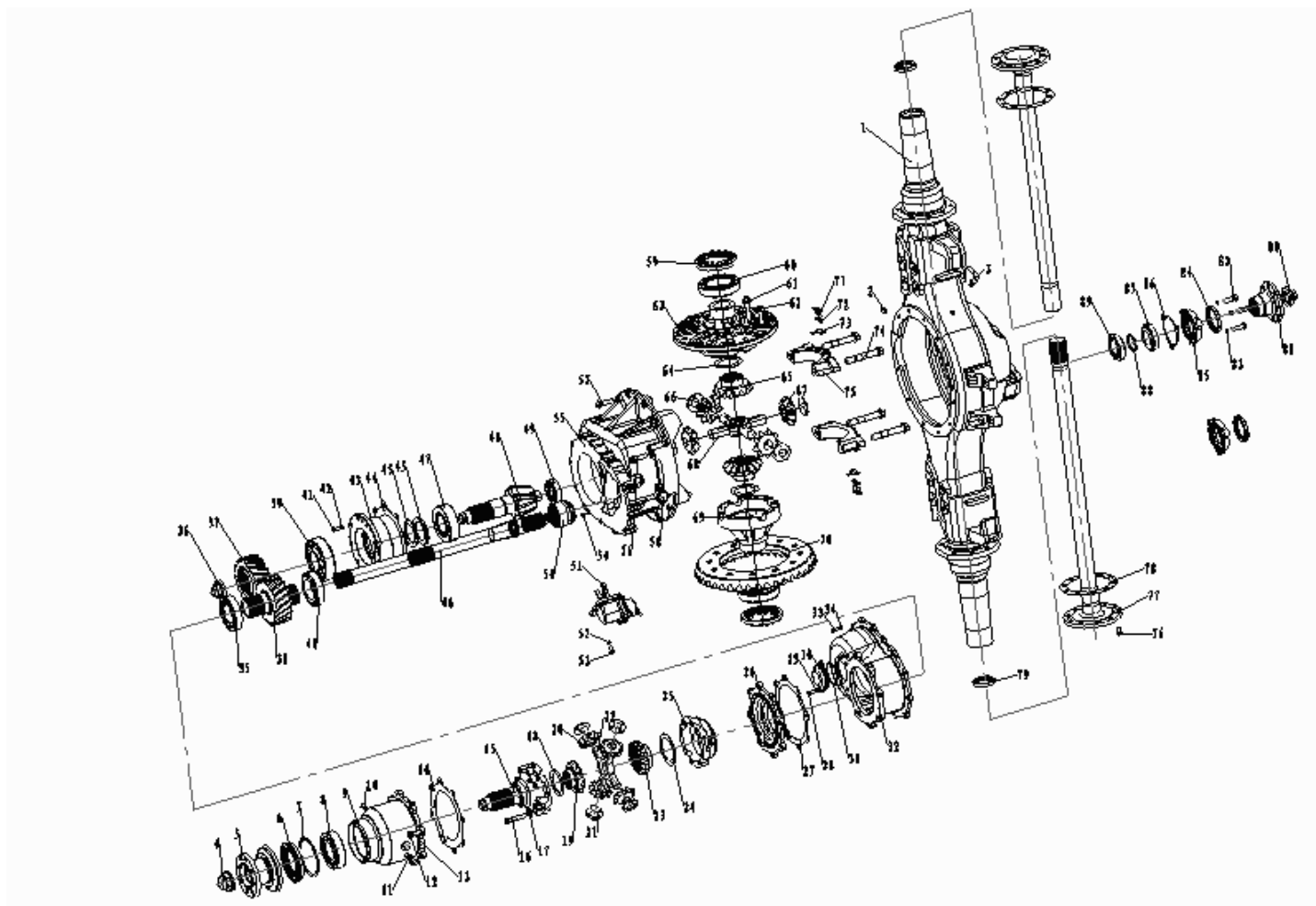


序号 No.	件号 Part No.	数量 Quantity	名称 Name	规格 Specification	适用产品 Products Applied	备注 Remark
66	2403058D1H	4	垫片 - 行星齿轮 Shim-Planetary Gear			
67	2403056D1H	4	行星齿轮 Planetary Gear			
68	2403061D1H	1	十字轴 - 差速器 Spider- Differential			
69	2403018D1H	1	右壳 - 差速器 Right Case-Differential			
70	S2502037K5H	1	从动锥齿轮 (速比: 4.44, 齿数: 40) Driven Bevel Gear(Speed Ratio : 4.44, Number Of Teeth : 40)			
	S2502037L5H	1	从动锥齿轮 (速比: 4.875, 齿数: 39) Driven Bevel Gear(Speed Ratio : 4.875, Number Of Teeth : 39)			
	S2502037M5H	1	从动锥齿轮 (速比: 5.286, 齿数: 37) Driven Bevel Gear(Speed Ratio : 5.286, Number Of Teeth : 37)			
	S2502037N5H	1	从动锥齿轮 (速比: 5.833, 齿数: 35) Driven Bevel Gear(Speed Ratio : 5.833, Number Of Teeth : 35)			
	S2502037P5H	1	从动锥齿轮 (速比: 6.33, 齿数: 38) Driven Bevel Gear(Speed Ratio : 6.33, Number Of Teeth : 38)			
71	CQ1501020	4	螺栓 - 止动片 Bolt-Stop Plate			
72	Q40310	4	弹簧垫圈 Spring Washer			
73	SQ2403072B01D	2	止动片 - 调整环 Stop Plate-Adjusting Ring			
74	SQ2402119-A01	4	螺栓 - 紧固差速器轴承盖 Bolt-For Tightening Differential Bearing Cover			
75	SQ2402019D1H	2	差速器轴承盖 Differential Bearing Cover			

457 中桥减速与桥壳总成

457 INTERMEDIATE AXLE REDUCER AND CASE ASSEMBLY

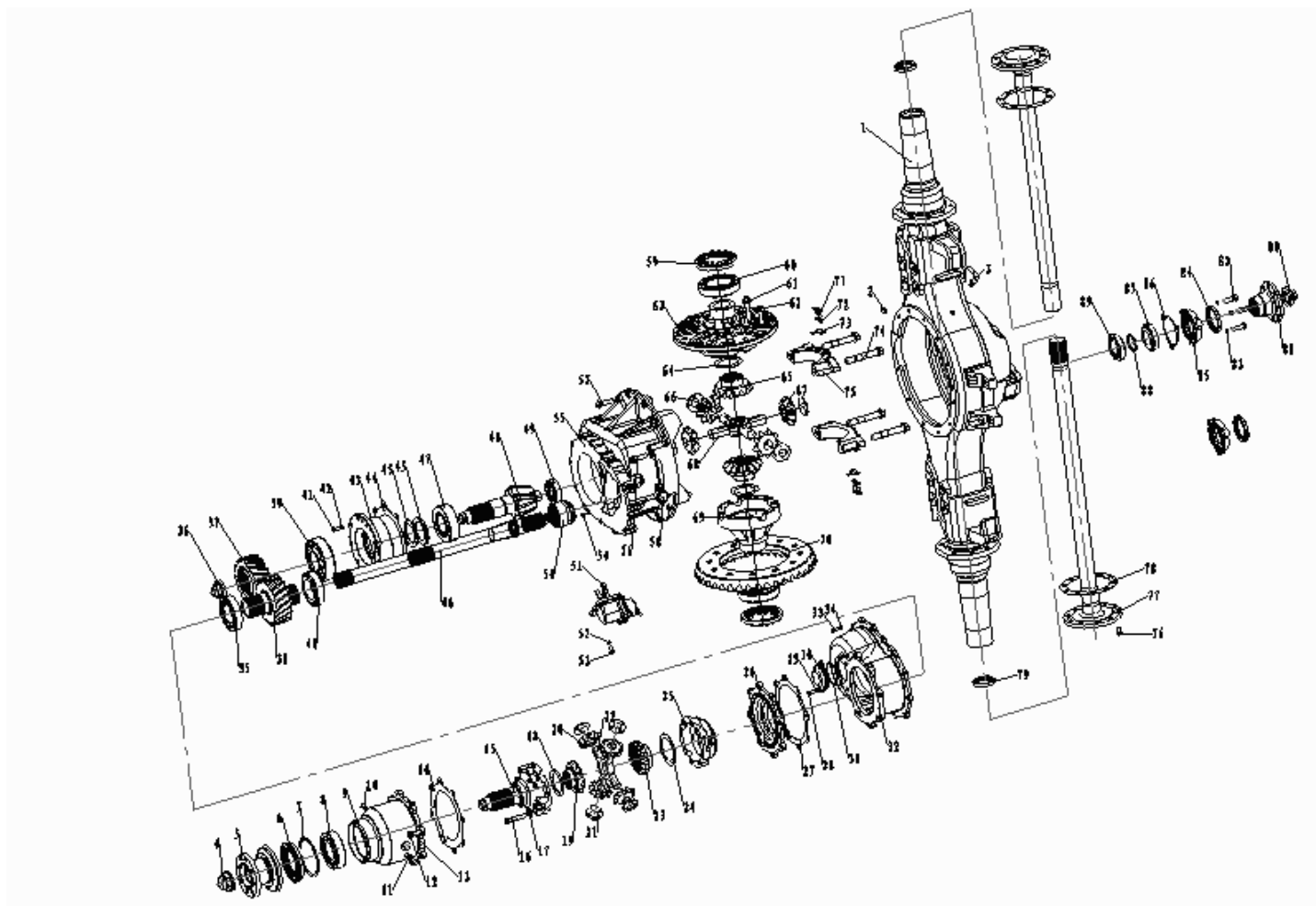
25-G



序号 No.	件号 Part No.	数量 Quantity	名称 Name	规格 Specification	适用产品 Products Applied	备注 Remark
76	SQ2403083-4E	20	螺栓 - 半轴 Bolt- Half Shaft			
77	S2403082K5HB1	1	右半轴 Half-Shaft RH			
	S2403081K5HB1	1	左半轴 Half-Shaft LH			
78	2403084-4E	2	垫片 - 半轴 Shim-Half Shaft			
79	2403090D1H	2	半轴油封总成 Half-Shaft Oil Seal Assembly			
80	S2402071K5H	1	螺母 - 紧固贯通轴突缘 Nut-For Tightening Thru Shaft Flange			
81	S2502065K5H	1	突缘 - 贯通轴 Flange-Thru Shaft			
82	CQ1501445	3	螺栓 - 紧固贯通轴轴承盖 Bolt-For Tightening Thru Shaft Bearing Cover			
83	Q40314	3	弹簧垫圈 Spring Washer			
84	S2502170K5H	1	贯通轴油封总成 Thru Shaft Oil Seal Assembly			
85	S2502168K5H	1	轴承盖 - 贯通轴 Bearing Cover-Thru Shaft			
86	S2502171K5H	1	调整垫片 - 贯通轴轴承盖 (t=0.5) Adjusting Shim-Thru Shaft Bearing Cover(t=0.5)			
	S2502172K5H	1	调整垫片 - 贯通轴轴承盖 (t=0.2) Adjusting Shim-Thru Shaft Bearing Cover(t=0.2)			
	S2502173K5H	1	调整垫片 - 贯通轴轴承盖 (t=0.1) Adjusting Shim-Thru Shaft Bearing Cover(t=0.1)			

457 中桥减速与桥壳总成 457 INTERMEDIATE AXLE REDUCER AND CASE ASSEMBLY

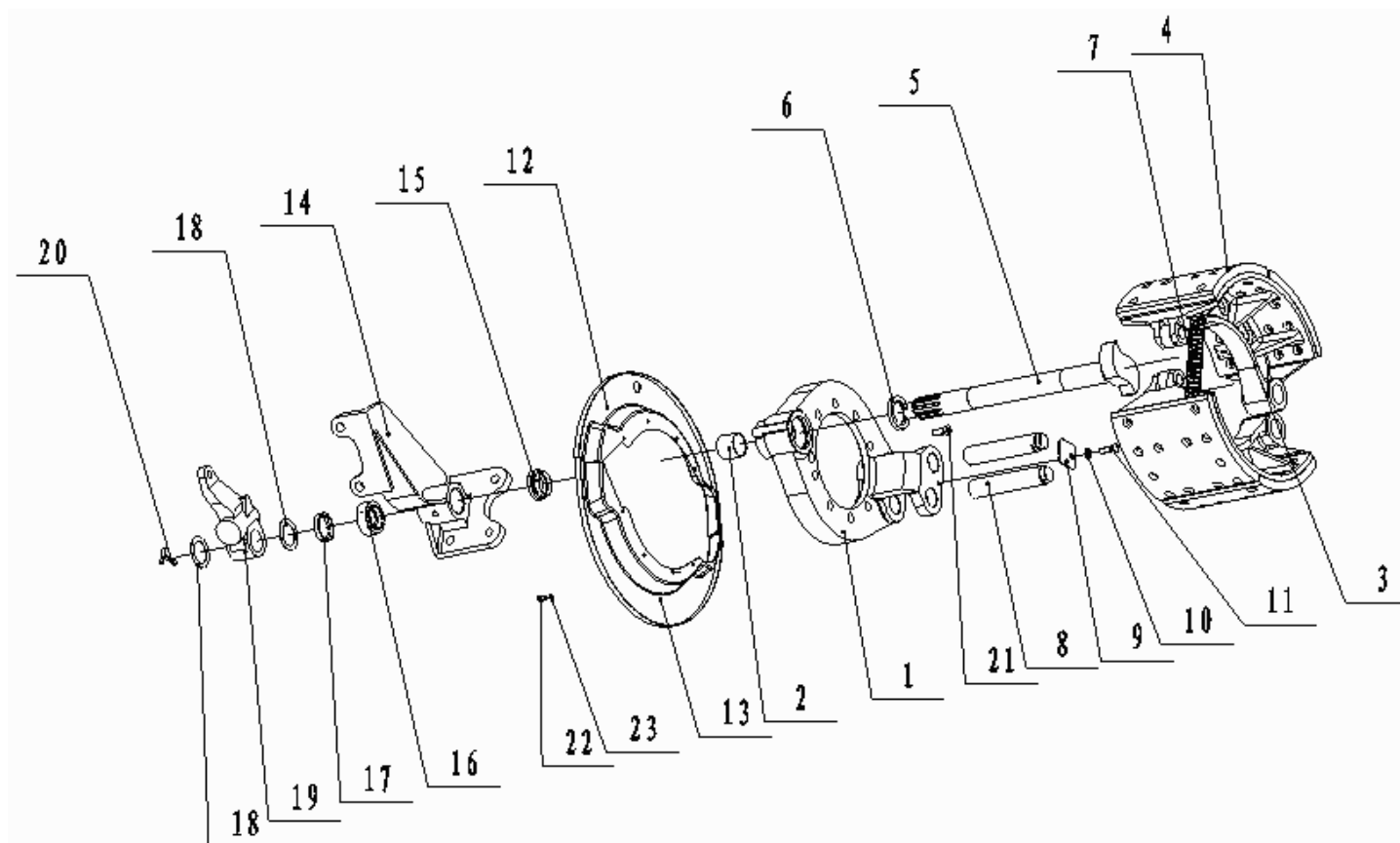
25-G



序号 No.	件号 Part No.	数量 Quantity	名称 Name	规格 Specification	适用产品 Products Applied	备注 Remark
87	30211	1	贯通轴轴承总成 Thru Shaft Bearing Assembly			
88	S2502169K5H	1	垫圈 - 贯通轴突缘 Washer-Thru Shaft Flange			
89	30211	1	贯通轴轴承总成 Thru Shaft Bearing Assembly			

457-6X4 中桥制动器 / 457-6X4 INTERMEDIATE AXLE BRAKE

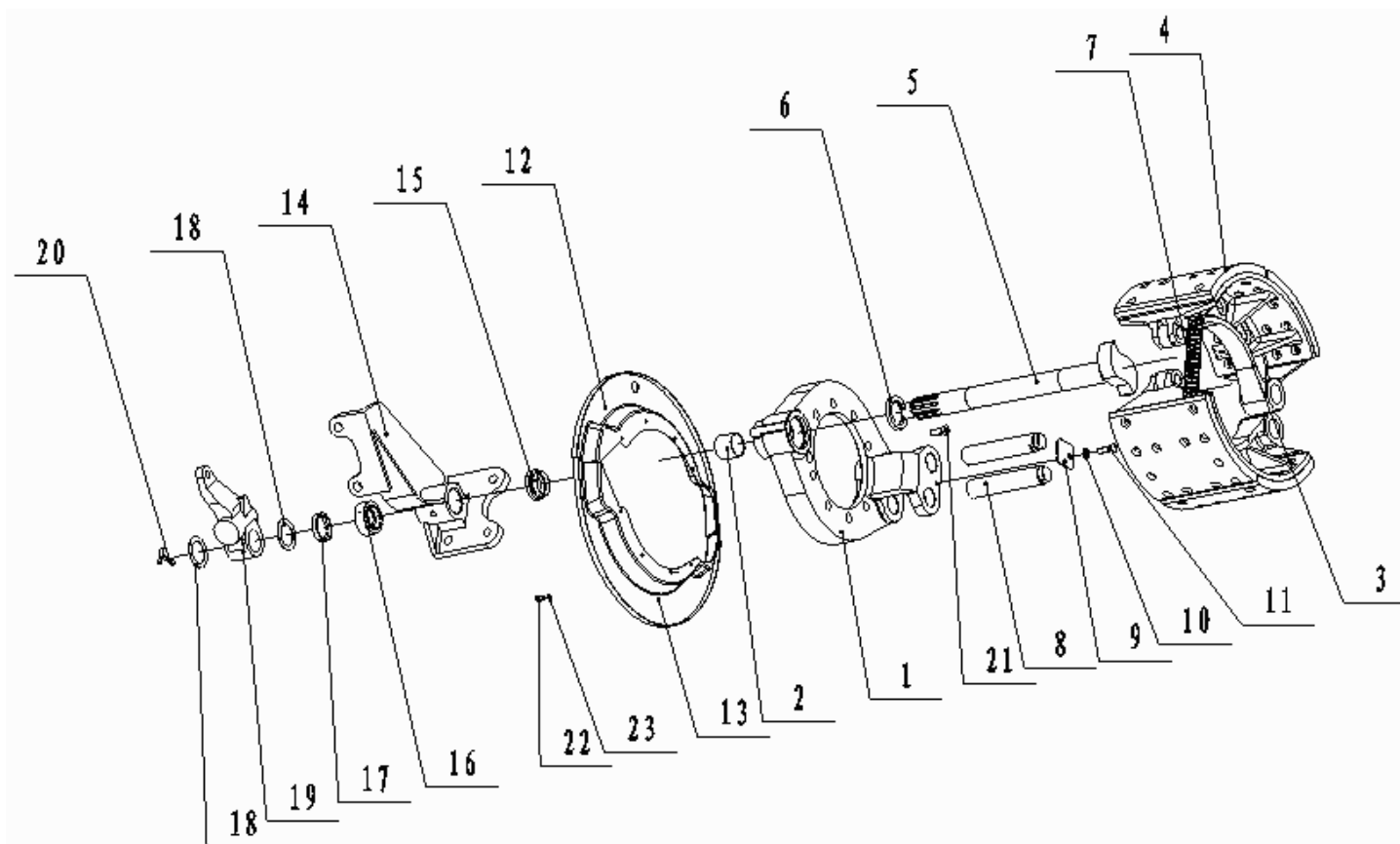
25-H



序号 No.	件号 Part No.	数量 Quantity	名称 Name	规格 Specification	适用产品 Products Applied	备注 Remark
	3502030-5H	1	中左制动器总成 Middle Brake Assembly LH			
	3502040-5H	1	中右制动器总成 Middle Brake Assembly RH			
1	3502026-4E	1	左制动支架 Brake Bracket LH			
	3502027-4E	1	右制动支架 Brake Bracket RH			
2	3501396-4E	2	衬套 Bushing			
3	3502391-4E	2	后制动蹄片 Rear Brake Shoe			
4	3502407-4E	8	摩擦片 Friction Plate			
5	3502151-5H	1	后左制动凸轮 Rear Brake Cam LH			
	3502152-5H	1	后右制动凸轮 Rear Brake Cam RH			
6	3501134-4E	2	凸轮垫圈 Cam Washer			
7	3502436-4E	2	回动弹簧 Return Spring			
8	3502082-4E	4	蹄片轴 Shoe Shaft			
9	3501086-4E	2	蹄片轴挡板 Shoe Shaft Baffle			
10	CQ1501016	2	螺栓 Bolt			

457-6X4 中桥制动器 / 457-6X4 INTERMEDIATE AXLE BRAKE

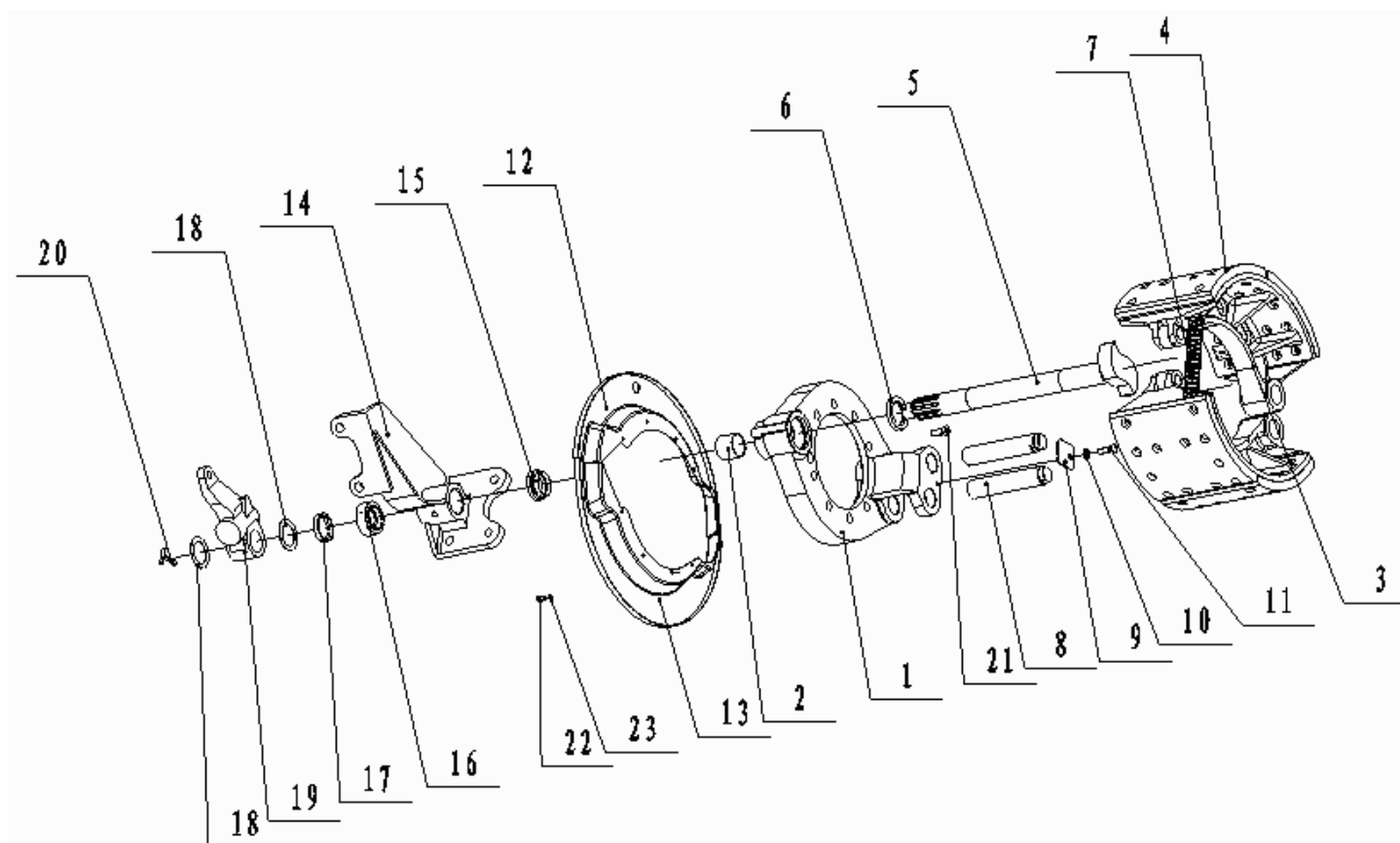
25-H



序号 No.	件号 Part No.	数量 Quantity	名称 Name	规格 Specification	适用产品 Products Applied	备注 Remark
11	Q40310	2	弹簧垫圈 Spring Washer			
12	3502031-1H	2	后制动左上(右下)挡尘盘 Upper(Lower)Dust Guard Dish LH(RH) Of Rear Brake			
13	3502032-1H	2	后制动左下(右上)挡尘盘 Lower(Upper)Dust Guard Dish LH(RH) Of Rear Brake			
14	3502125-5H	1	左支架总成 - 后制动凸轮 Bracket Assembly LH-Rear Brake Cam			
	3502130-5H	1	右支架总成 - 后制动凸轮 Bracket Assembly RH-Rear Brake Cam			
15	3502120-1H	1	油封 - 制动支架 Oil Seal-Brake Bracket			
16	3502121-1H	2	关节轴承 - 凸轮轴支架 Pivoting Bearing-Camshaft Bracket			
17	3502122-1H	1	油封 - 凸轮轴支架 Oil Seal- Camshaft Bracket			
18	3501156-01	2	调整垫圈 Adjusting Washer			
19	3502210-1H	1	左调整臂总成 Adjustment Arm Assembly LH			
	3502220-1H	1	右调整臂总成 Adjustment Arm Assembly RH			
20	Q5006035	2	开口销 Cotter Pin			
21	CQ1501635T	16	螺栓 - 紧固后制动支架用 Bolt- For Tightening Rear Brake Bracket			

457-6X4 中桥制动器 / 457-6X4 INTERMEDIATE AXLE BRAKE

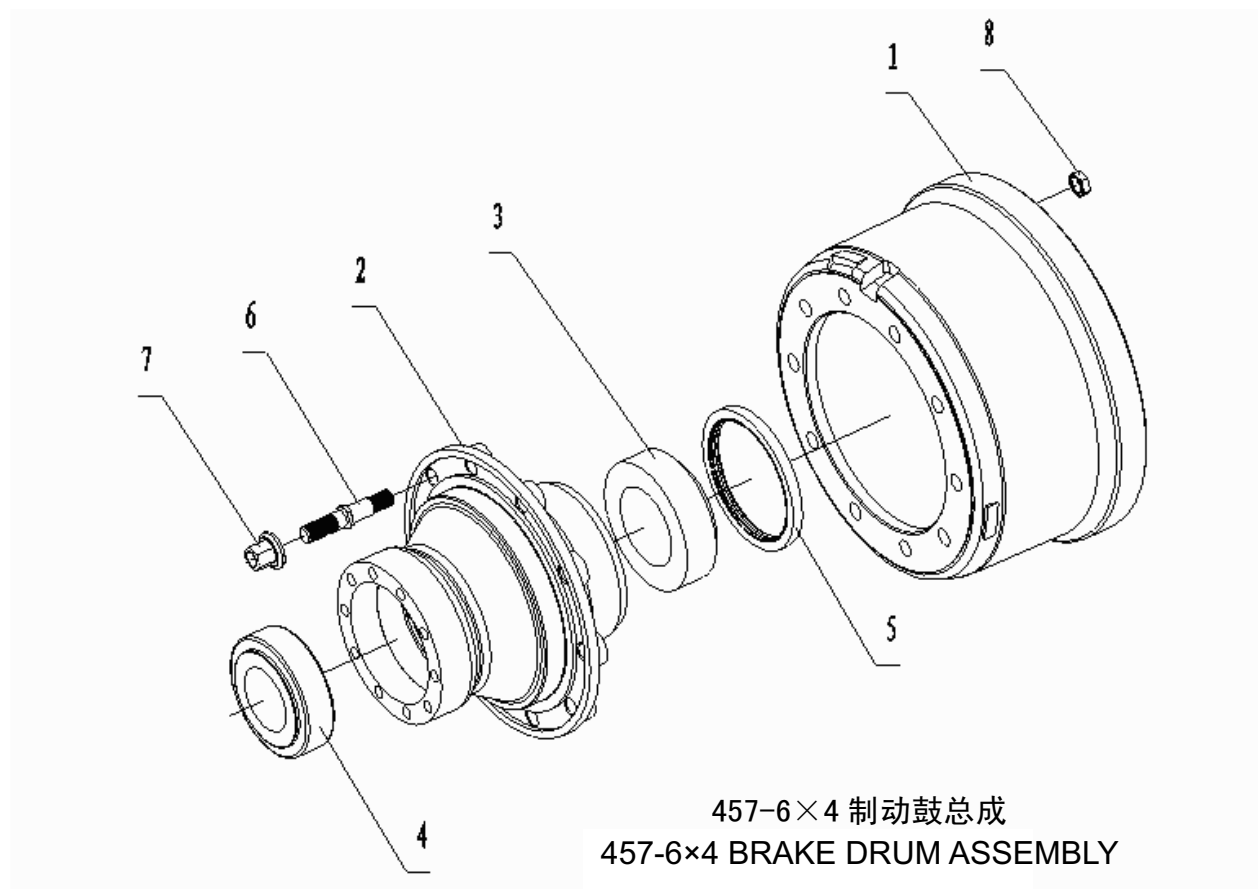
25-H



序号 No.	件号 Part No.	数量 Quantity	名称 Name	规格 Specification	适用产品 Products Applied	备注 Remark
22	CQ1500610	16	螺栓 - 挡尘盘用 Bolt- For Dust Guard Dish			
23	Q40306	16	弹簧垫圈 Spring Washer			

457-6X4 制动鼓总成
457-6X4 BRAKE DRUM ASSEMBLY

25-1



序号 No.	件号 Part No.	数量 Quantity	名称 Name	规格 Specification	适用产品 Products Applied	备注 Remark
	SQ3502565B01D	2	后制动鼓总成 Rear Brake Drum Assembly			
1	SQ3502571-B01D	2	后制动鼓 Rear Brake Drum			
2	SQ3104011-B01D	2	后轮毂 Rear Wheel Hub			
3	30621	2	轮毂内轴承 Wheel Hub Inner Bearing			
4	7819E	2	轮毂外轴承 Wheel Hub Outer Bearing			
5	W3104045B01D	2	轮毂油封 Wheel Hub Oil Seal			
6	3104051-4EC1	2	车轮螺栓 Wheel Bolt			
7	3103070-4E	20	车轮螺母 Wheel Nut			
8	3103071-4E	20	螺母 Nut			
9	W3550012B01D	2	齿圈 Gear Ring			

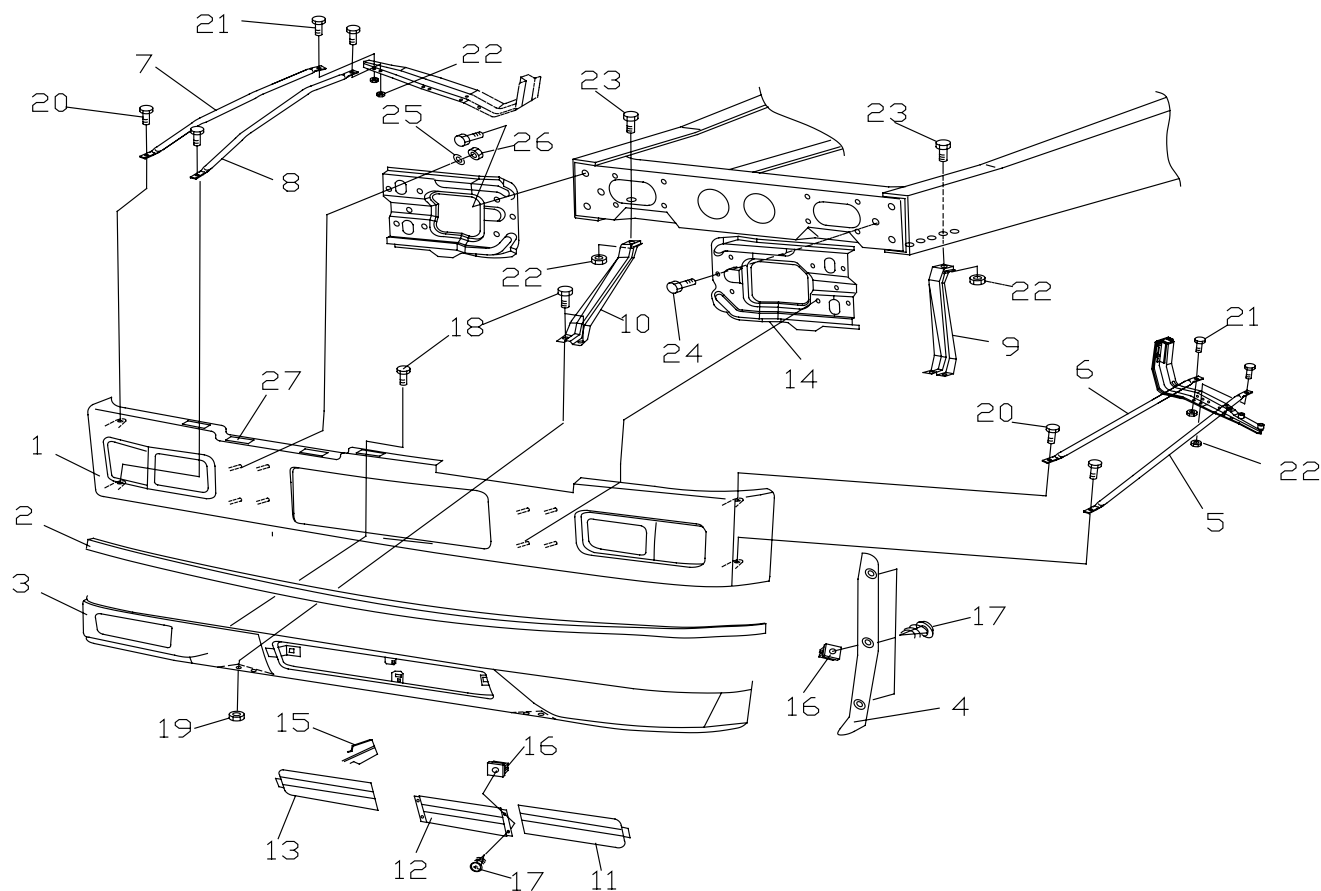
28

车架系统

FRAME SYSTEM

保险杠装配图 / BUMPER

28-A



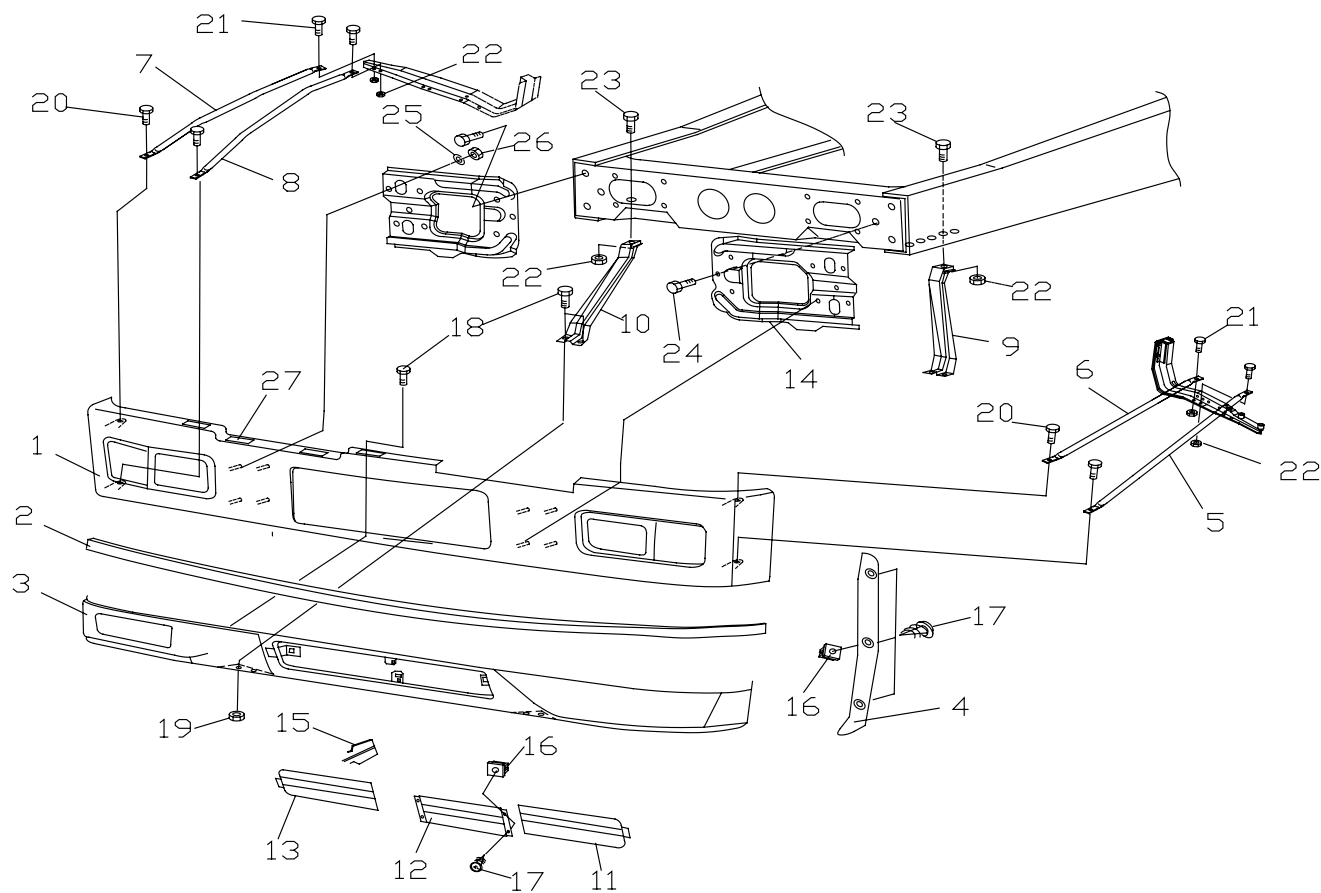
车架系统 / FRAME SYSTEM

28-2

序号 No.	件号 Part No.	数量 Quantity	名称 Name	规格 Specification	适用产品 Products Applied	备注 Remark
1	28A3D-03015	1	保险杠上段总成 Bumper Upper Segment Assembly			
2	28A1-03140	1	保险杠中饰胶条 Bumper Middle Rubber Strip			
3	28A3D-03015	1	保险杠下段总成 Bumper Lower Segment Assembly			
4	28A1-03121	1	左侧堵板 Left Baffle			
	28A1-03122	1	右侧堵板 Right Baffle			
5	28A3D-03075	1	左保险杠上斜撑 Left Bumper Upper Brace Strut			
6	28A3D-03081	1	左保险杠下斜撑 Left Bumper Lower Brace Strut			
7	28A3D-03076	1	右保险杠上斜撑 Right Bumper Upper Brace Strut			
8	28A3D-03082	1	右保险杠下斜撑 Right Bumper Lower Brace Strut			
9	28A3D-03071	1	保险杠左支架总成 Bumper Bracket Assembly LH			
10	28A3D-03072	1	保险杠右支架总成 Bumper Bracket Assembly RH			
11	28A1-03135	1	保险杠左侧格栅 Bumper Left Grille			
12	28A1-03131	1	保险杠中格栅 Bumper Middle Grille			
13	28A1-03136	1	保险杠右侧格栅 Bumper Right Grille			

保险杠装配图 / BUMPER

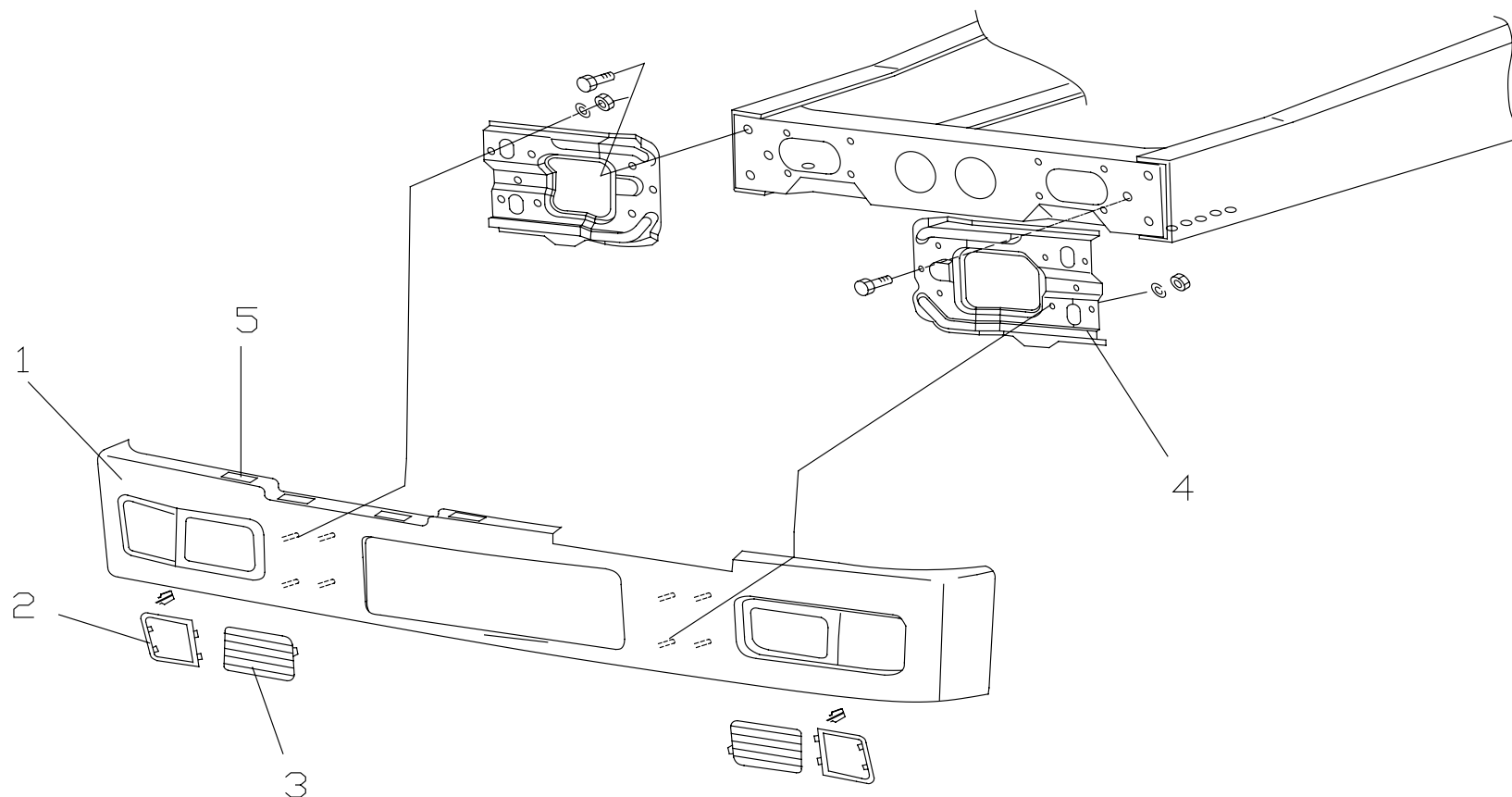
28-A



序号 No.	件号 Part No.	数量 Quantity	名称 Name	规格 Specification	适用产品 Products Applied	备注 Remark
14	28A3D-03063	2	保险杠安装板 Bumper Mounting Panel			
15	84A-01053	4	W形塑料卡扣 W-Shape Plastic Buckle			
16	53A-01323	10	方型塑料螺母 C Square Plastic Nut C			
17	Q2734816	10	十字槽大半圆头自攻螺钉 -C 型 Cross Recess Cup-Head Self Tapping Screw With Large Head-C Type			
18	Q1460816	11	六角头组合螺栓 Hexagon Head Combination Bolt			
19	Q32008	4	六角法兰面螺母 Hexagon Nut With Flange			
20	Q1460820	4	六角头组合螺栓 Hexagon Head Combination Bolt			
21	Q1460830	4	六角头组合螺栓 Hexagon Head Combination Bolt			
22	Q32008	6	六角法兰面螺母 Hexagon Nut With Flange			
23	Q1461030	4	六角头组合螺栓 Hexagon Head Combination Bolt			
24	HQ1461030	6	六角头组合螺栓 - 细牙 Hexagon Head Combination Bolt-Fine			P=1.0
25	Q40310	8	弹簧垫圈 Spring Washer			
26	Q340B10	8	I型六角头螺母 Hexagon Full Nut			
27	28A-03110	4	防滑摩擦片 Antiskid Friction Plate			

窄体保险杠装配图 / NARROW CAB BUMPER

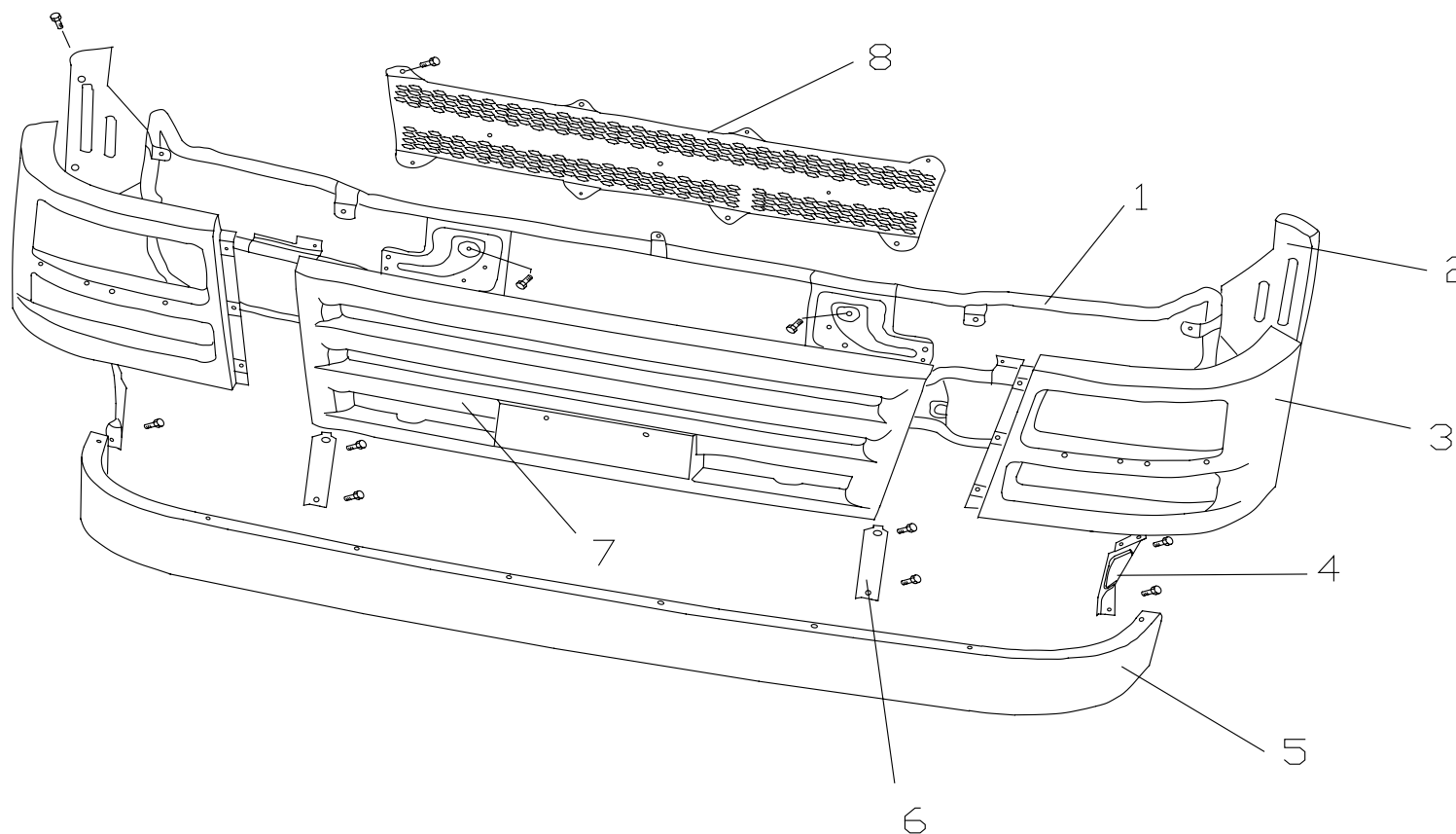
28-B



序号 No.	件号 Part No.	数量 Quantity	名称 Name	规格 Specification	适用产品 Products Applied	备注 Remark
1	28A5-03010	1	前保险杠总成 Front Bumper Assembly		窄体系列 Narrow Cab Series	
2	28A5-03217	1	左雾灯罩 Fog Light Cover LH		窄体系列 Narrow Cab Series	
	28A5-03218	1	右雾灯罩 Fog Light Cover RH		窄体系列 Narrow Cab Series	
	28A5-03225	4	W型塑料卡扣 W-Plastic Buckle		窄体系列 Narrow Cab Series	
	84A-01053	4	W型塑料卡扣 W-Plastic Buckle		窄体系列 Narrow Cab Series	
3	28A5-03221	2	托钩盖板 Towing Hook Cover Plate		窄体系列 Narrow Cab Series	
	84A-01053	4	W型塑料卡扣 W-Plastic Buckle		窄体系列 Narrow Cab Series	
4	28A5-03061	1	保险杠左安装板 Bumper Mounting Plate LH		窄体系列 Narrow Cab Series	
	28A5-03062	1	保险杠右安装板 Bumper Mounting Plate RH		窄体系列 Narrow Cab Series	
	HQ1461035	6	六角头组合螺栓—细牙 Hexagon Head Combination Bolt- Fine	P=1.0		
	Q40310	8	弹簧垫圈 Spring Washer			
	Q340B10	8	I型六角头螺母 Hexagon Full Nut			
5	28A-03110	4	防滑摩擦片 Antiskid Friction Plate			

欧款保险杠装配图 / EUROPE BUMPER

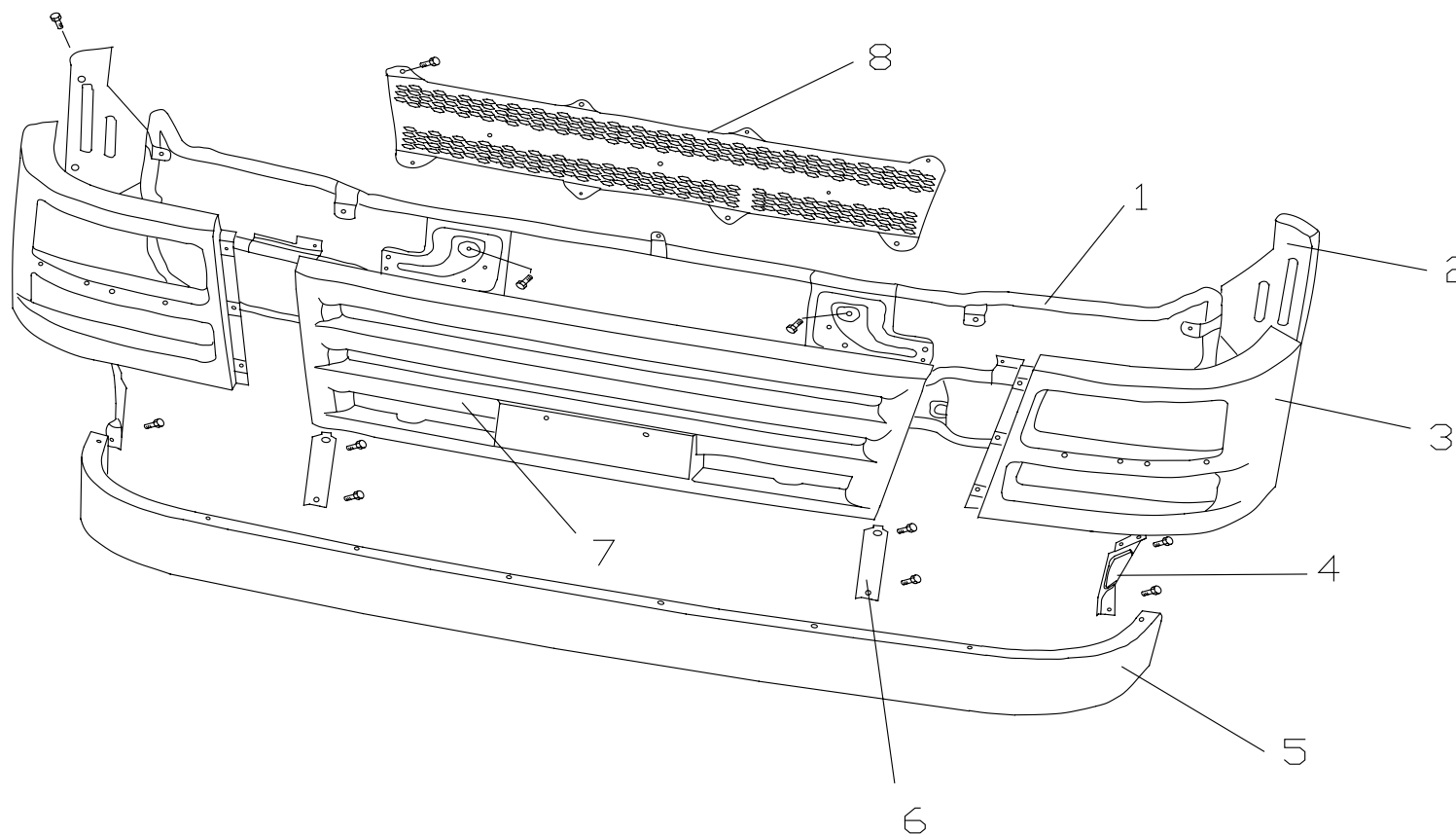
28-C



序号 No.	件号 Part No.	数量 Quantity	名称 Name	规格 Specification	适用产品 Products Applied	备注 Remark
1	28E-03010	1	前保险杠总成 Front Bumper Assembly		欧款系列 Europe Series	
	HQ1461035	6	六角头组合螺栓 - 细牙 Hexagon Head Combination Bolt-Fine	P=1.0		
2	28E-03075	1	保险杠左段堵板 Bumper Left Segment Baffle		欧款系列 Europe Series	
	28E-03076	1	保险杠右段堵板 Bumper Right Segment Baffle		欧款系列 Europe Series	
	28EG-03075	1	保险杠左段堵板 Bumper Left Segment Baffle		欧款高顶系列 Europe High Roof Series	
	28EG-03076	1	保险杠右段堵板 Bumper Right Segment Baffle		欧款高顶系列 Europe High Roof Series	
	Q1460625	4	六角头组合螺栓 Hexagon Head Combination Bolt			
3	28E-03072	1	保险杠左段 Bumper Left Segment		欧款系列 Europe Series	
	28E-03073	1	保险杠右段 Bumper Right Segment		欧款系列 Europe Series	
	Q1460820	15	六角头组合螺栓 Hexagon Head Combination Bolt			
4	28EG-03095	1	副保左固定支架 Sub Bumper Holding Bracket LH		欧款高顶系列 Europe High Roof Series	
	28EG-03096	1	副保右固定支架 Sub Bumper Holding Bracket RH		欧款高顶系列 Europe High Roof Series	
	Q1460820	4	六角头组合螺栓 Hexagon Head Combination Bolt			
5	28EG-03098	1	副保险杠 Sub Bumper		欧款高顶系列 Europe High Roof Series	

欧款保险杠装配图 / EUROPE BUMPER

28-C



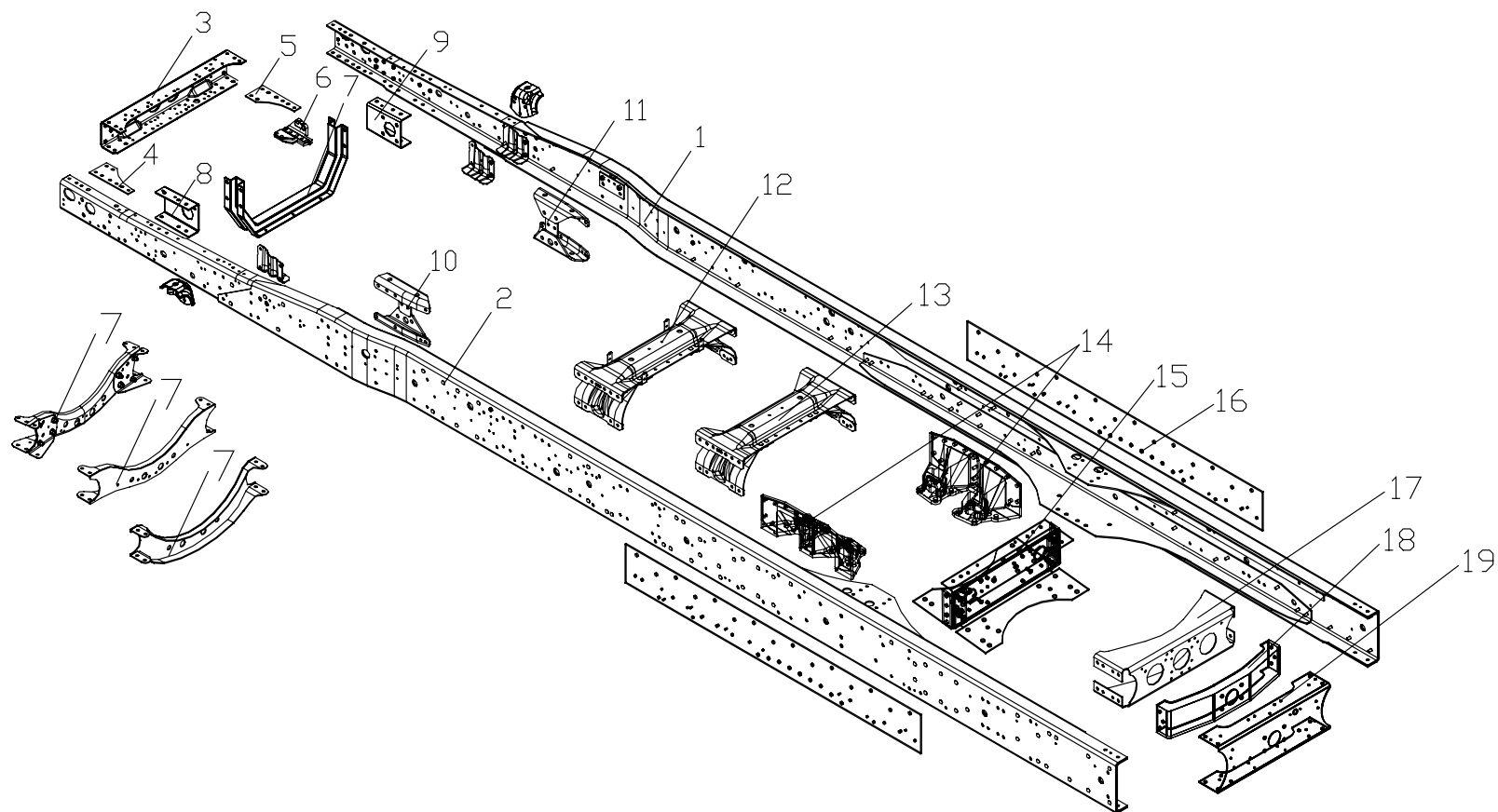
车架系统 / FRAME SYSTEM

28-10

序号 No.	件号 Part No.	数量 Quantity	名称 Name	规格 Specification	适用产品 Products Applied	备注 Remark
5	Q1460820	4	六角头组合螺栓 Hexagon Head Combination Bolt			
6	28EG-03093	2	副保中固定支架总成 Sub Bumper Middle Holding Bracket Assembly		欧款高顶系列 Europe High Roof Series	
7	28E-03071	1	保险杠中段 Bumper Middle Segment		欧款系列 Europe Series	
	Q1460820	6	六角头组合螺栓 Hexagon Head Combination Bolt			
8	28E-03078	1	保险杠隔栅 Bumper Grille		欧款系列 Europe Series	
	Q1840616	11	六角法兰面螺栓 Hexagon Bolt With Flange			

28AH4D 车架爆炸图 / 28AH4D FRAME

28-D



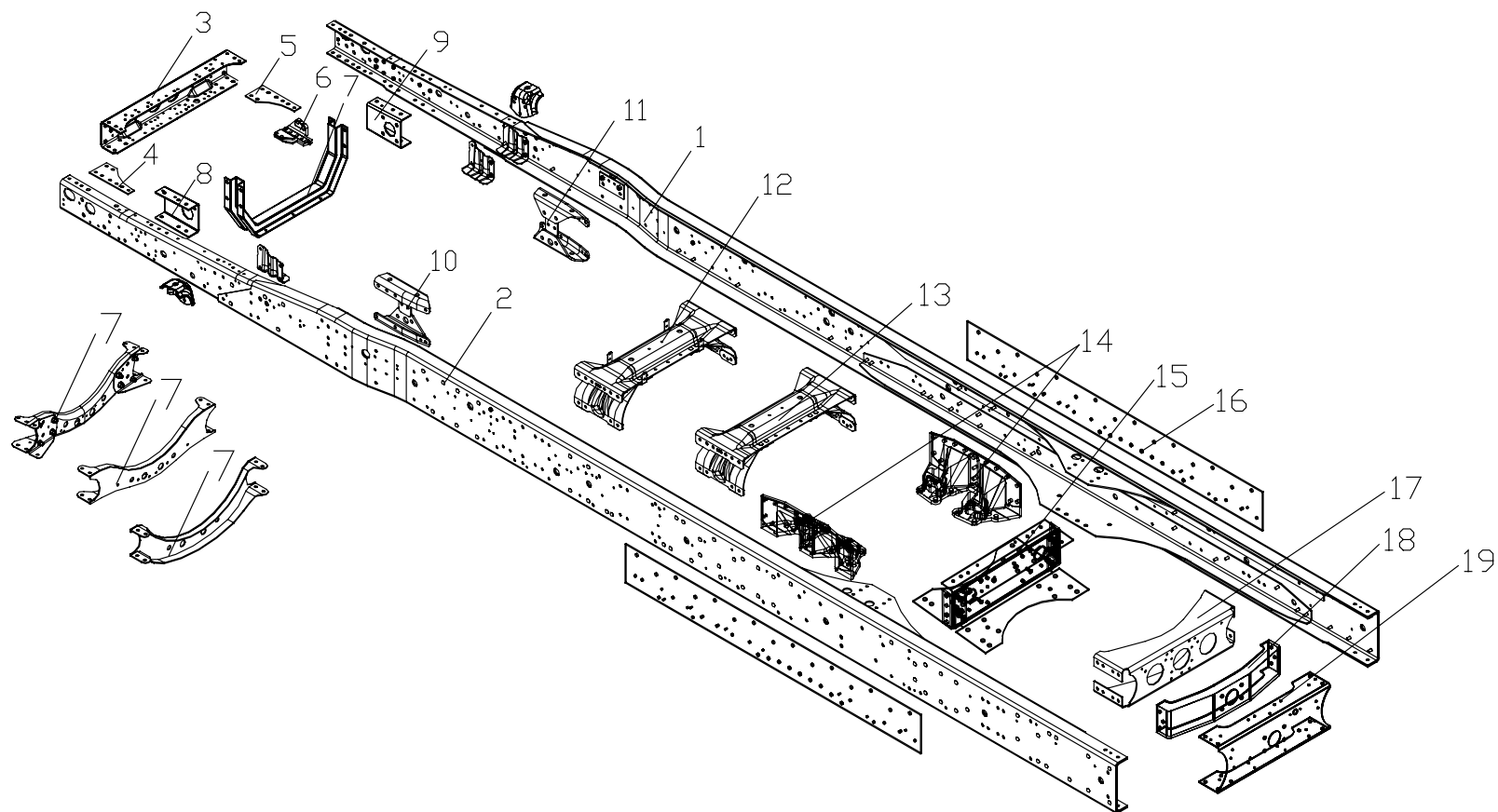
车架系统 / FRAME SYSTEM

28-12

序号 No.	件号 Part No.	数量 Quantity	名称 Name	规格 Specification	适用产品 Products Applied	备注 Remark
	28AHD-00610	1	车架总成 Frame Assembly		三菱动力 MITSUBISHI Engine	
	28AH2D-00610	1	车架总成 Frame Assembly		斯太尔动力 STEYR Engine	
	28AH3D-00610	1	车架总成 Frame Assembly		五十铃动力 ISUZU Engine	
	28AH4D-00610	1	车架总成 Frame Assembly		康明斯动力 CUMMINS Engine	
	28AH16D-00610	1	车架总成 Frame Assembly		日野动力 HINO Engine	
1	28AHD-01625	1	左纵梁总成 Side Member Assembly LH		三菱动力 MITSUBISHI Engine	
	28AH2D-01625	1	左纵梁总成 Side Member Assembly LH		斯太尔动力 STEYR Engine	
	28AH3D-01625	1	左纵梁总成 Side Member Assembly LH		五十铃动力 ISUZU Engine	
	28AH4D-01625	1	左纵梁总成 Side Member Assembly LH		康明斯动力 CUMMINS Engine	
	28AH16D-01625	1	左纵梁总成 Side Member Assembly LH		日野动力 HINO Engine	
2	28AHD-01635	1	右纵梁总成 Side Member Assembly RH		三菱动力 MITSUBISHI Engine	
	28AH2D-01635	1	右纵梁总成 Side Member Assembly RH		斯太尔动力 STEYR Engine	
	28AH3D-01635	1	右纵梁总成 Side Member Assembly RH		五十铃动力 ISUZU Engine	
	28AH4D-01635	1	右纵梁总成 Side Member Assembly RH		康明斯动力 CUMMINS Engine	

28AH4D 车架爆炸图 / 28AH4D FRAME

28-D



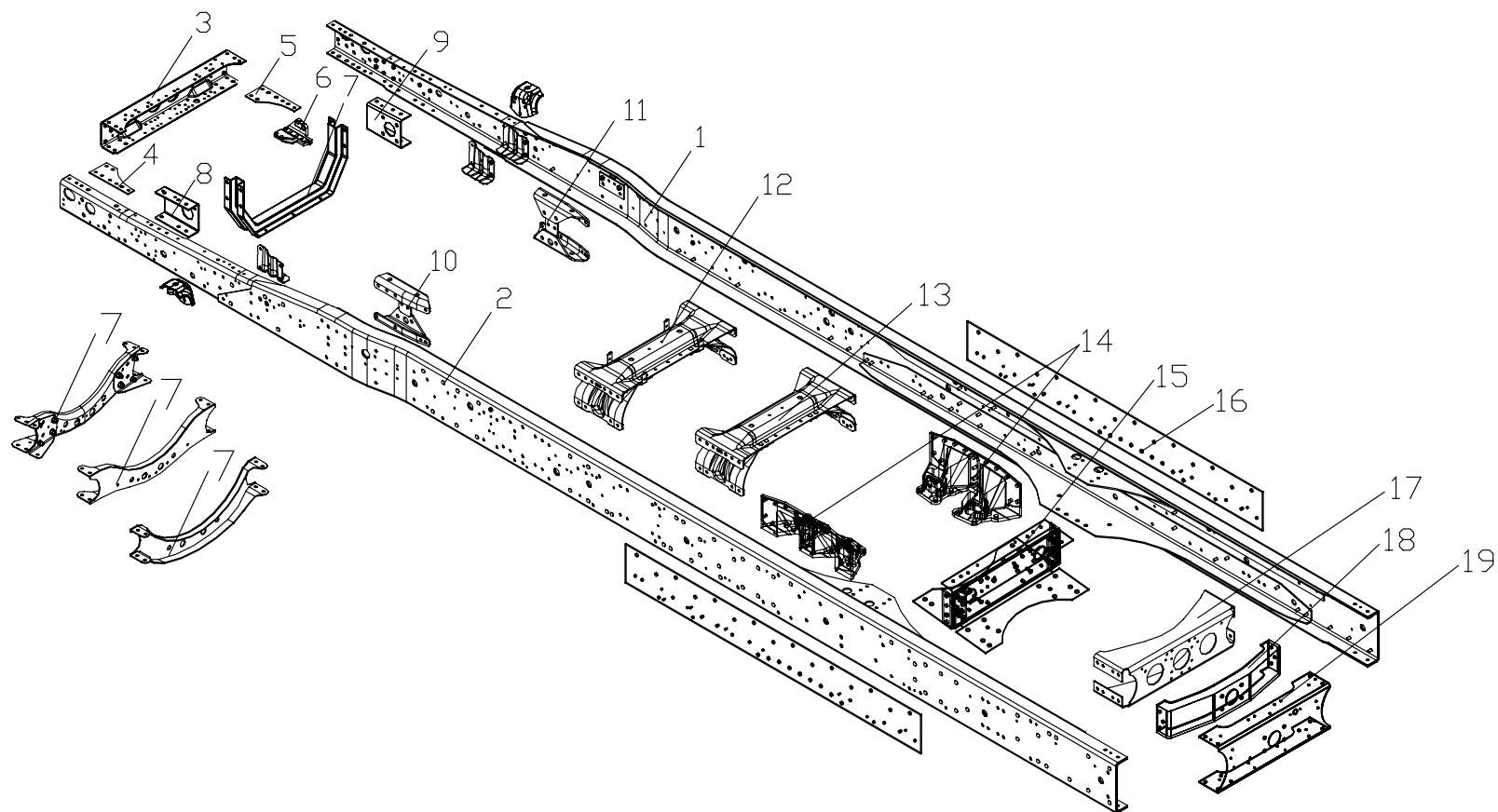
车架系统 / FRAME SYSTEM

28-14

序号 No.	件号 Part No.	数量 Quantity	名称 Name	规格 Specification	适用产品 Products Applied	备注 Remark
2	28AH16D-01635	1	右纵梁总成 Side Member Assembly RH		日野动力 HINO Engine	
3	28AD-01110	1	第一横梁总成 First Cross Member Assembly			
4	28A-01114	1	下连接板 - 第一横梁 Lower Connecting Panel-First Cross Member			
5	28AD-01114	1	右下连接板 - 第一横梁 Lower Connecting Panel RH-First Cross Member			
6	28AD-06012	1	拖钩支架 Towing Hook Bracket			
7	28AD-01120	1	第二横梁总成 Second Cross Member Assembly		三菱动力 MITSUBISHI Engine	
	28A2D-01120	1	第二横梁总成 Second Cross Member Assembly		斯太尔动力 STEYR Engine	
	28A3D-01120	1	第二横梁总成 Second Cross Member Assembly		五十铃动力 ISUZU Engine	
	28A4D-01121	1	第二横梁 Second Cross Member		康明斯、日野动力 CUMMINS,HINO Engine	
8	28A4D-01122	1	左支架 - 第二横梁 Bracket LH-Second Cross Member			
9	28A4D-01123	1	右支架 - 第二横梁 Bracket RH-Second Cross Member			
10	28A-01135	1	左支架 - 第三横梁 Bracket LH-Third Cross Member			
11	28A-01230	1	右支架 - 第三横梁 Bracket RH-Third Cross Member			
12	28A-01140	1	第四横梁总成 Fourth Cross Member Assembly			

28AH4D 车架爆炸图 / 28AH4D FRAME

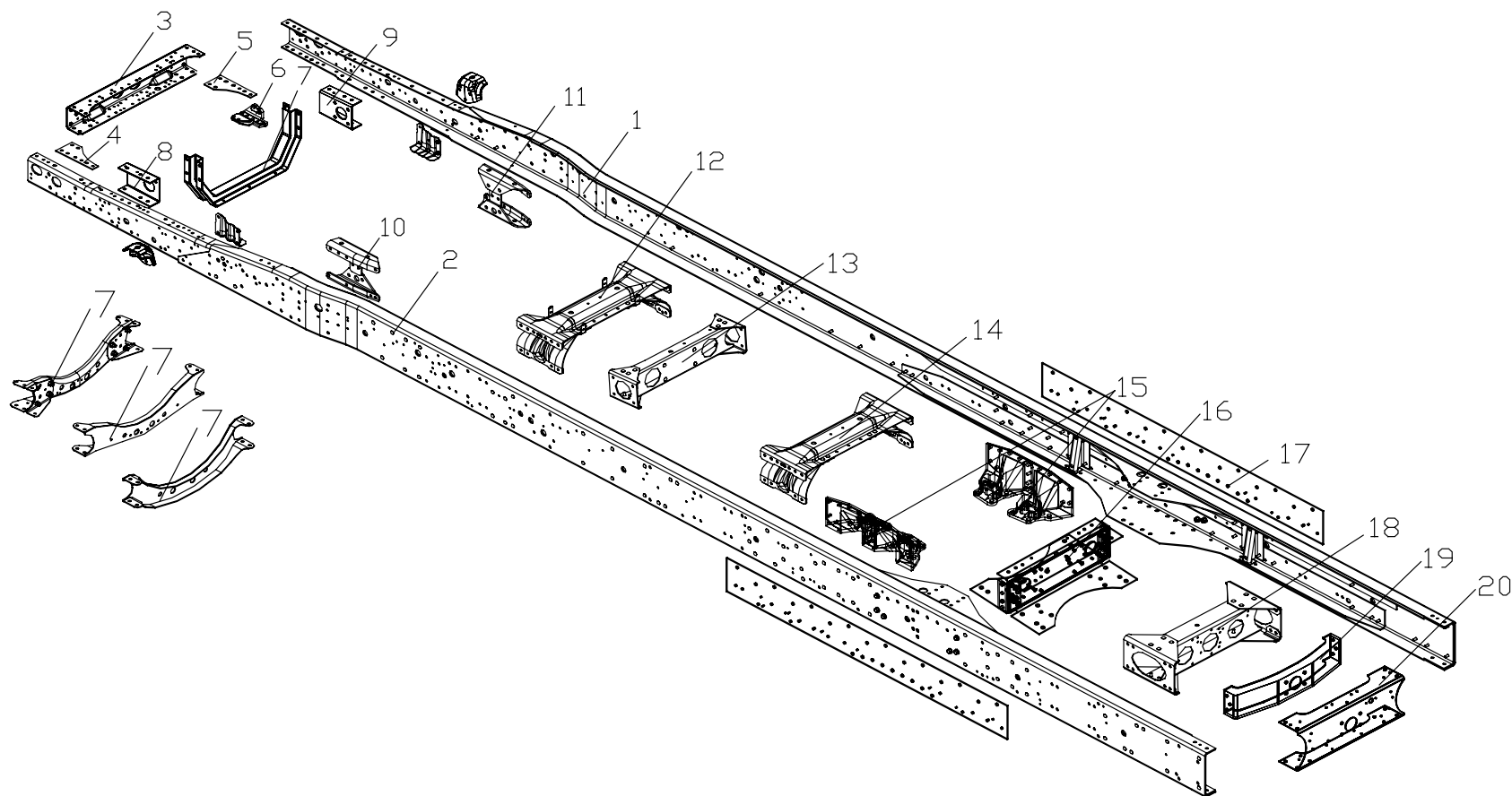
28-D



序号 No.	件号 Part No.	数量 Quantity	名称 Name	规格 Specification	适用产品 Products Applied	备注 Remark
13	28AP-01160	1	第六横梁总成 Sixth Cross Member Assembly			
14	29AD-18511	2	平衡轴支撑块 Supporting Block For Balancing Shaft			
15	28AH2D-01150	1	第五横梁总成 Fifth Cross Member Assembly			
16	28AD-01067	2	大梁侧挡板 Girder Side Baffle Plate			
17	28AD-01161	1	第六横梁 Sixth Cross Member			
18	28ADQ-06021	1	加强梁 Reinforced Beam			
19	28AD-01171	2	第七横梁 Seventh Cross Member			

28AH4DZ2 车架爆炸图 / 28AH4DZ2 FRAME

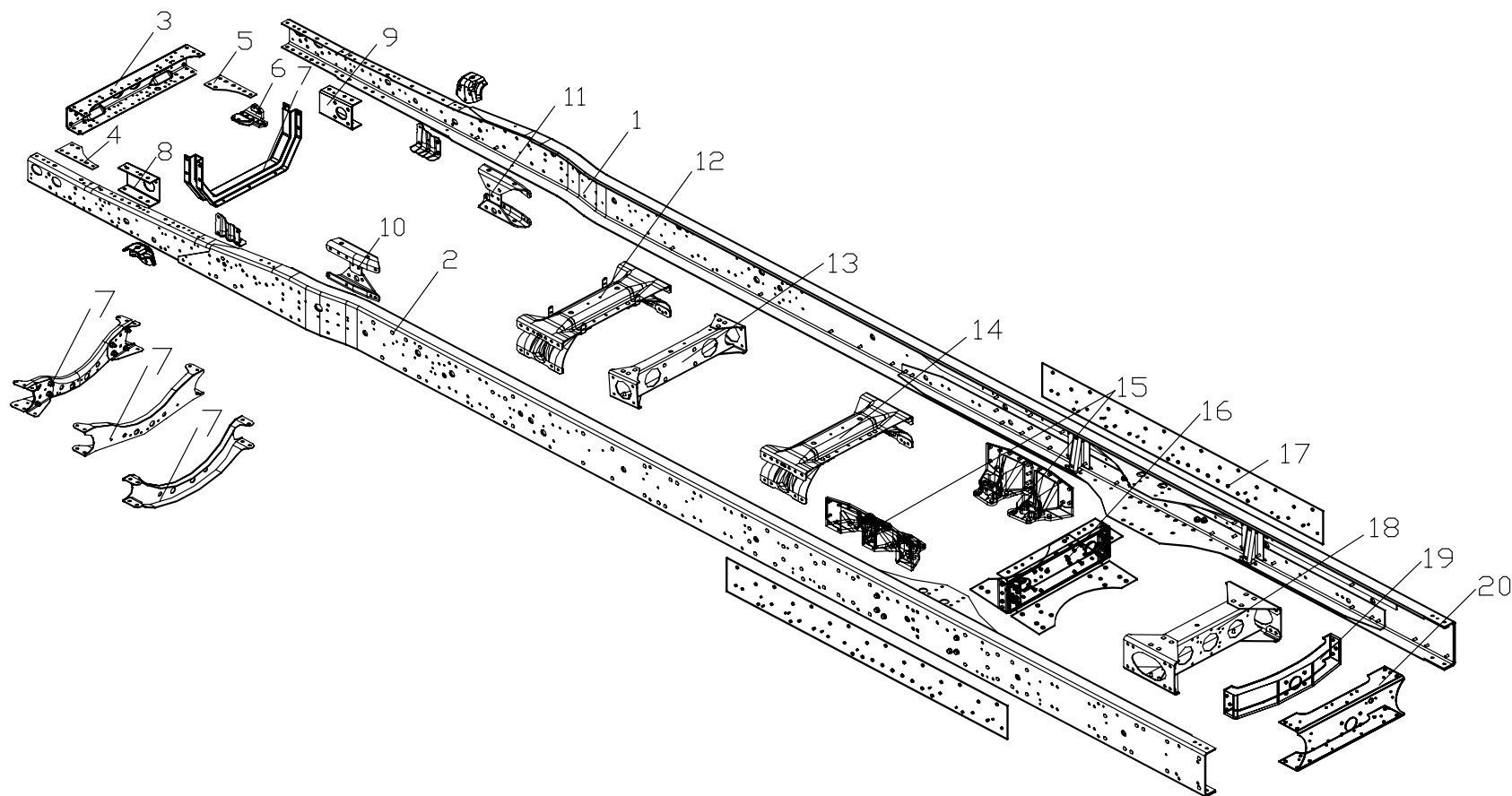
28-E



序号 No.	件号 Part No.	数量 Quantity	名称 Name	规格 Specification	适用产品 Products Applied	备注 Remark
	28AHDZ2-00610	1	车架总成 Frame Assembly		三菱动力 MITSUBISHI Engine	
	28AH2DZ2-00610	1	车架总成 Frame Assembly		斯太尔动力 STEYR Engine	
	28AH3DZ2-00610	1	车架总成 Frame Assembly		五十铃动力 ISUZU Engine	
	28AH4DZ2-00610	1	车架总成 Frame Assembly		康明斯动力 CUMMINS Engine	
	28AH16DZ2-00610	1	车架总成 Frame Assembly		日野动力 HINO Engine	
1	28AHDZ2-01625	1	左纵梁总成 Side Member Assembly LH		三菱动力 MITSUBISHI Engine	
	28AH2DZ2-01625	1	左纵梁总成 Side Member Assembly LH		斯太尔动力 STEYR Engine	
	28AH3DZ2-01625	1	左纵梁总成 Side Member Assembly LH		五十铃动力 ISUZU Engine	
	28AH4DZ2-01625	1	左纵梁总成 Side Member Assembly LH		康明斯动力 CUMMINS Engine	
	28AH16DZ2-01625	1	左纵梁总成 Side Member Assembly LH		日野动力 HINO Engine	
2	28AHDZ2-01635	1	右纵梁总成 Side Member Assembly RH		三菱动力 MITSUBISHI Engine	
	28AH2DZ2-01635	1	右纵梁总成 Side Member Assembly RH		斯太尔动力 STEYR Engine	
	28AH3DZ2-01635	1	右纵梁总成 Side Member Assembly RH		五十铃动力 ISUZU Engine	
	28AH4DZ2-01635	1	右纵梁总成 Side Member Assembly RH		康明斯动力 CUMMINS Engine	

28AH4DZ2 车架爆炸图 / 28AH4DZ2 FRAME

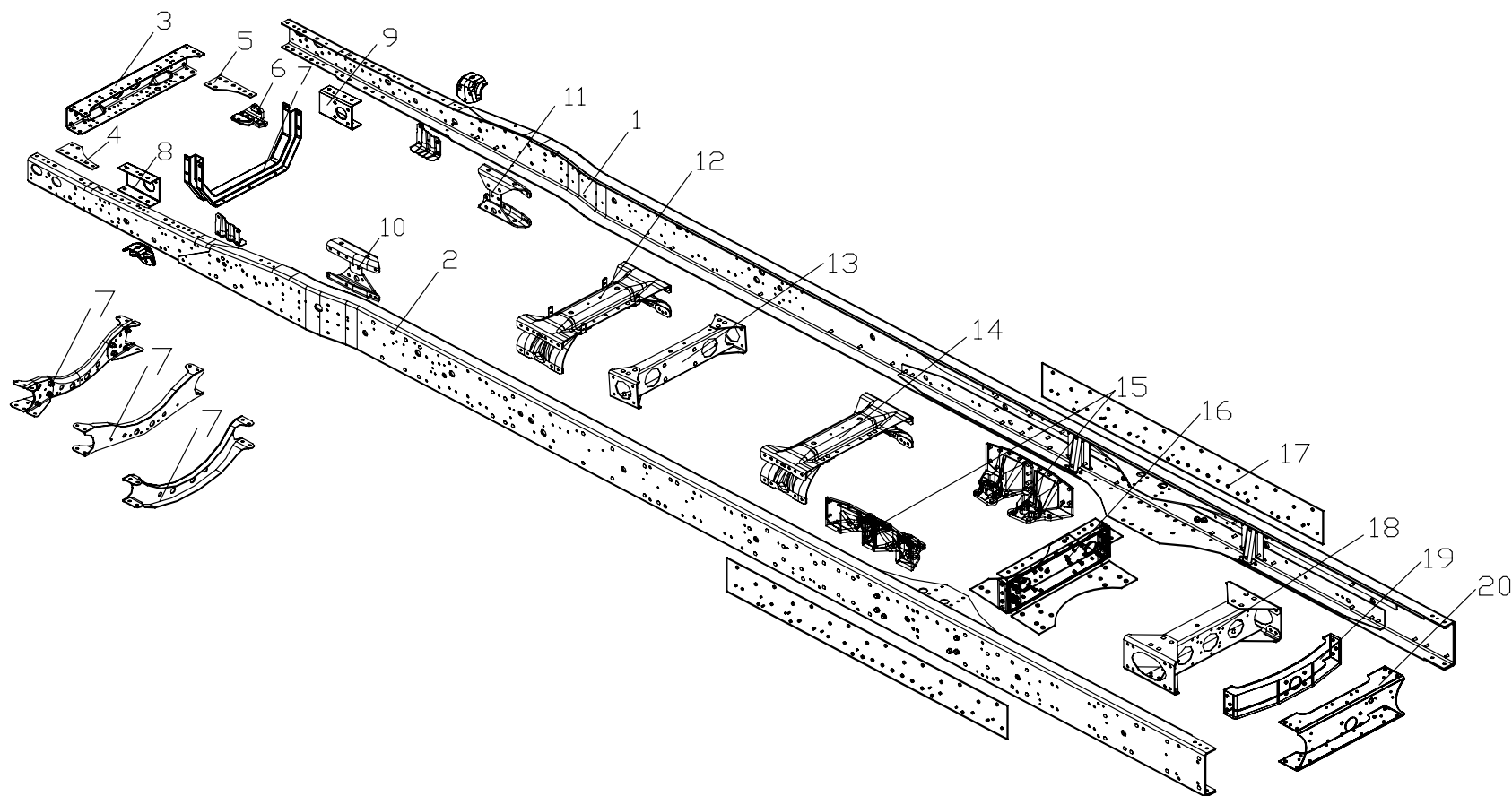
28-E



序号 No.	件号 Part No.	数量 Quantity	名称 Name	规格 Specification	适用产品 Products Applied	备注 Remark
2	28AH16DZ2-01635	1	右纵梁总成 Side Member Assembly RH		日野动力 HINO Engine	
3	28AD-01110	1	第一横梁总成 First Cross Member Assembly			
4	28A-01114	1	下连接板 - 第一横梁 Lower Connecting Panel-First Cross Member			
5	28AD-01114	1	右下连接板 - 第一横梁 Lower Connecting Panel RH-First Cross Member			
6	28AD-06012	1	拖钩支架 Towing Hook Bracket			
7	28AD-01120	1	第二横梁总成 Second Cross Member Assembly		三菱动力 MITSUBISHI Engine	
	28A2D-01120	1	第二横梁总成 Second Cross Member Assembly		斯太尔动力 STEYR Engine	
	28A3D-01120	1	第二横梁总成 Second Cross Member Assembly		五十铃动力 ISUZU Engine	
	28A4D-01121	1	第二横梁 Second Cross Member		康明斯、日野动力 CUMMINS,HINO Engine	
8	28A4D-01122	1	左支架 - 第二横梁 Bracket LH-Second Cross Member			
9	28A4D-01123	1	右支架 - 第二横梁 Bracket RH-Second Cross Member			
10	28A-01135	1	左支架 - 第三横梁 Bracket LH-Third Cross Member			
11	28A-01230	1	右支架 - 第三横梁 Bracket RH-Third Cross Member			
12	28A-01140	1	第四横梁总成 Fourth Cross Member Assembly			

28AH4DZ2 车架爆炸图 / 28AH4DZ2 FRAME

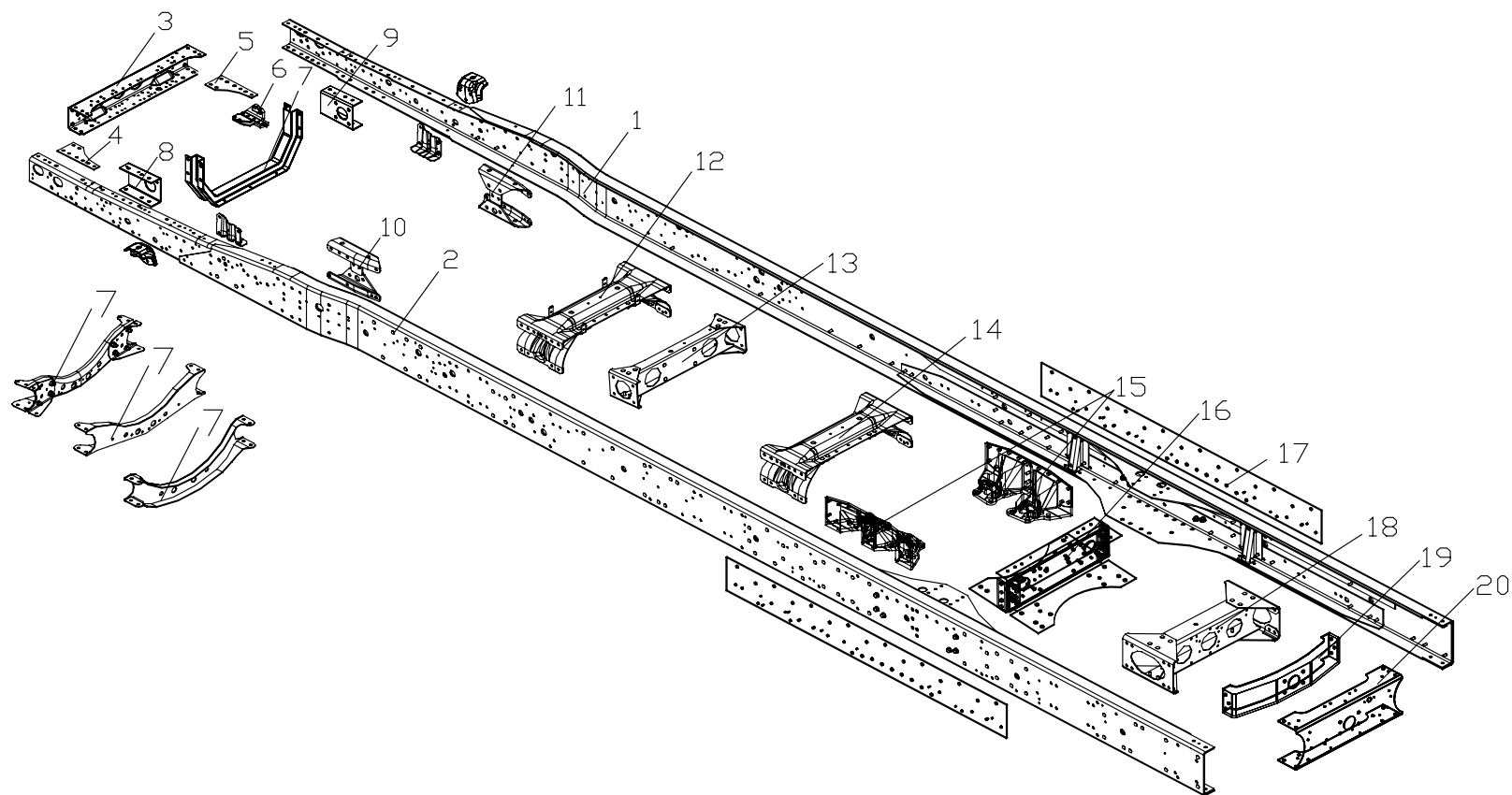
28-E



序号 No.	件号 Part No.	数量 Quantity	名称 Name	规格 Specification	适用产品 Products Applied	备注 Remark
13	28AP-01150	1	传动轴中间支撑横梁总成 Propeller Shaft Center Support Cross Member Assembly		三菱动力 MITSUBISHI Engine	
	28A4DP-01150	1	传动轴中间支撑横梁总成 Propeller Shaft Center Support Cross Member Assembly		其它动力 Other Engine	
14	28AP-01160	1	第六横梁 Sixth Cross Member			
15	29AD-18511	2	平衡轴支撑块 Supporting Block For Balancing Shaft			
16	28AH2D-01150	1	第五横梁总成 Fifth Cross Member Assembly			
17	28ADP-01067	2	大梁侧挡板 Girder Side Baffle Plate			
18	28AP-01180	1	第八横梁总成 Eighth Cross Member Assembly			
19	28ADQ-06021	1	加强梁 Reinforced Beam			
20	28AD-01171	1	第七横梁 Seventh Cross Member			

28AH4DZ12 车架爆炸图 / 28AH4DZ12 FRAME

28-F



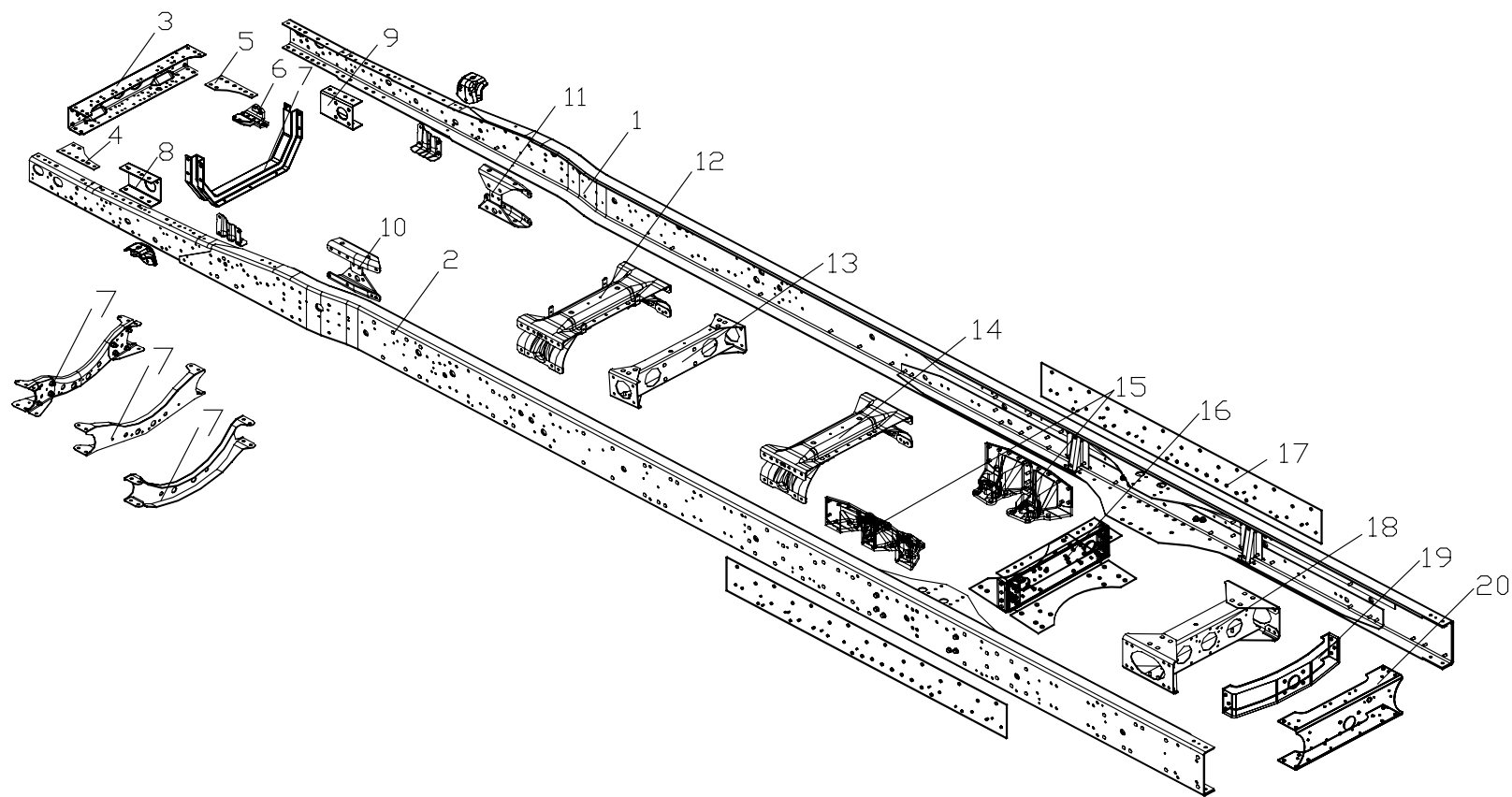
车架系统 / FRAME SYSTEM

28-24

序号 No.	件号 Part No.	数量 Quantity	名称 Name	规格 Specification	适用产品 Products Applied	备注 Remark
	28AHDZ12-00610	1	车架总成 Frame Assembly		三菱动力 MITSUBISHI Engine	
	28AH2 DZ12-00610	1	车架总成 Frame Assembly		斯太尔动力 STEYR Engine	
	28AH3 DZ12-00610	1	车架总成 Frame Assembly		五十铃动力 ISUZU Engine	
	28AH4 DZ12-00610	1	车架总成 Frame Assembly		康明斯动力 CUMMINS Engine	
	28AH16 DZ12-00610	1	车架总成 Frame Assembly		日野动力 HINO Engine	
1	28AH DZ12-01625	1	左纵梁总成 Side Member Assembly LH		三菱动力 MITSUBISHI Engine	
	28AH2 DZ12-01625	1	左纵梁总成 Side Member Assembly LH		斯太尔动力 STEYR Engine	
	28AH3 DZ12-01625	1	左纵梁总成 Side Member Assembly LH		五十铃动力 ISUZU Engine	
	28AH4 DZ12-01625	1	左纵梁总成 Side Member Assembly LH		康明斯动力 CUMMINS Engine	
	28AH16 DZ12-01625	1	左纵梁总成 Side Member Assembly LH		日野动力 HINO Engine	
2	28AH DZ12-01635	1	右纵梁总成 Side Member Assembly RH		三菱动力 MITSUBISHI Engine	
	28AH2 DZ12-01635	1	右纵梁总成 Side Member Assembly RH		斯太尔动力 STEYR Engine	
	28AH3 DZ12-01635	1	右纵梁总成 Side Member Assembly RH		五十铃动力 ISUZU Engine	
	28AH4 DZ12-01635	1	右纵梁总成 Side Member Assembly RH		康明斯动力 CUMMINS Engine	

28AH4DZ12 车架爆炸图 / 28AH4DZ12 FRAME

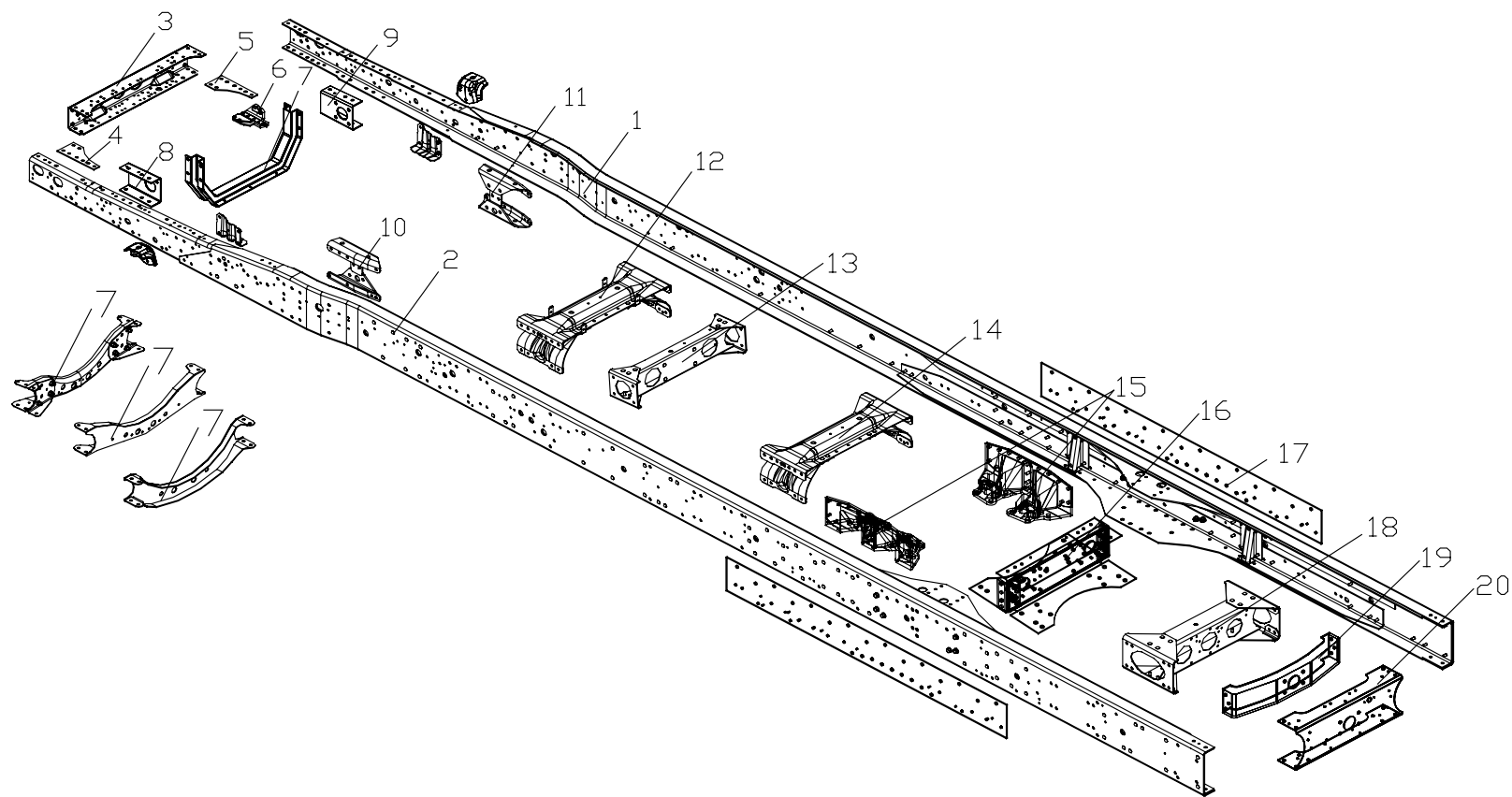
28-F



序号 No.	件号 Part No.	数量 Quantity	名称 Name	规格 Specification	适用产品 Products Applied	备注 Remark
2	28AH16 DZ12-01635	1	右纵梁总成 Side Member Assembly RH		日野动力 HINO Engine	
3	28AD-01110	1	第一横梁总成 First Cross Member Assembly			
4	28A-01114	1	下连接板 - 第一横梁 Lower Connecting Panel-First Cross Member			
5	28AD-01114	1	右下连接板 - 第一横梁 Lower Connecting Panel RH-First Cross Member			
6	28AD-06012	1	拖钩支架 Towing Hook Bracket			
7	28AD-01120	1	第二横梁总成 Second Cross Member Assembly		三菱动力 MITSUBISHI Engine	
	28A2D-01120	1	第二横梁总成 Second Cross Member Assembly		斯太尔动力 STEYR Engine	
	28A3D-01120	1	第二横梁总成 Second Cross Member Assembly		五十铃动力 ISUZU Engine	
	28A4D-01121	1	第二横梁 Second Cross Member		康明斯、日野动力 CUMMINS,HINO Engine	
8	28A4D-01122	1	左支架 - 第二横梁 Left Bracket-Second Cross Member			
9	28A4D-01123	1	右支架 - 第二横梁 Right Bracket-Second Cross Member			
10	28A-01135	1	左支架 - 第三横梁 Left Bracket-Third Cross Member			
11	28A-01230	1	右支架 - 第三横梁 Right Bracket-Third Cross Member			
12	28A-01140	1	第四横梁总成 Fourth Cross Member Assembly			

28AH4DZ12 车架爆炸图 / 28AH4DZ12 FRAME

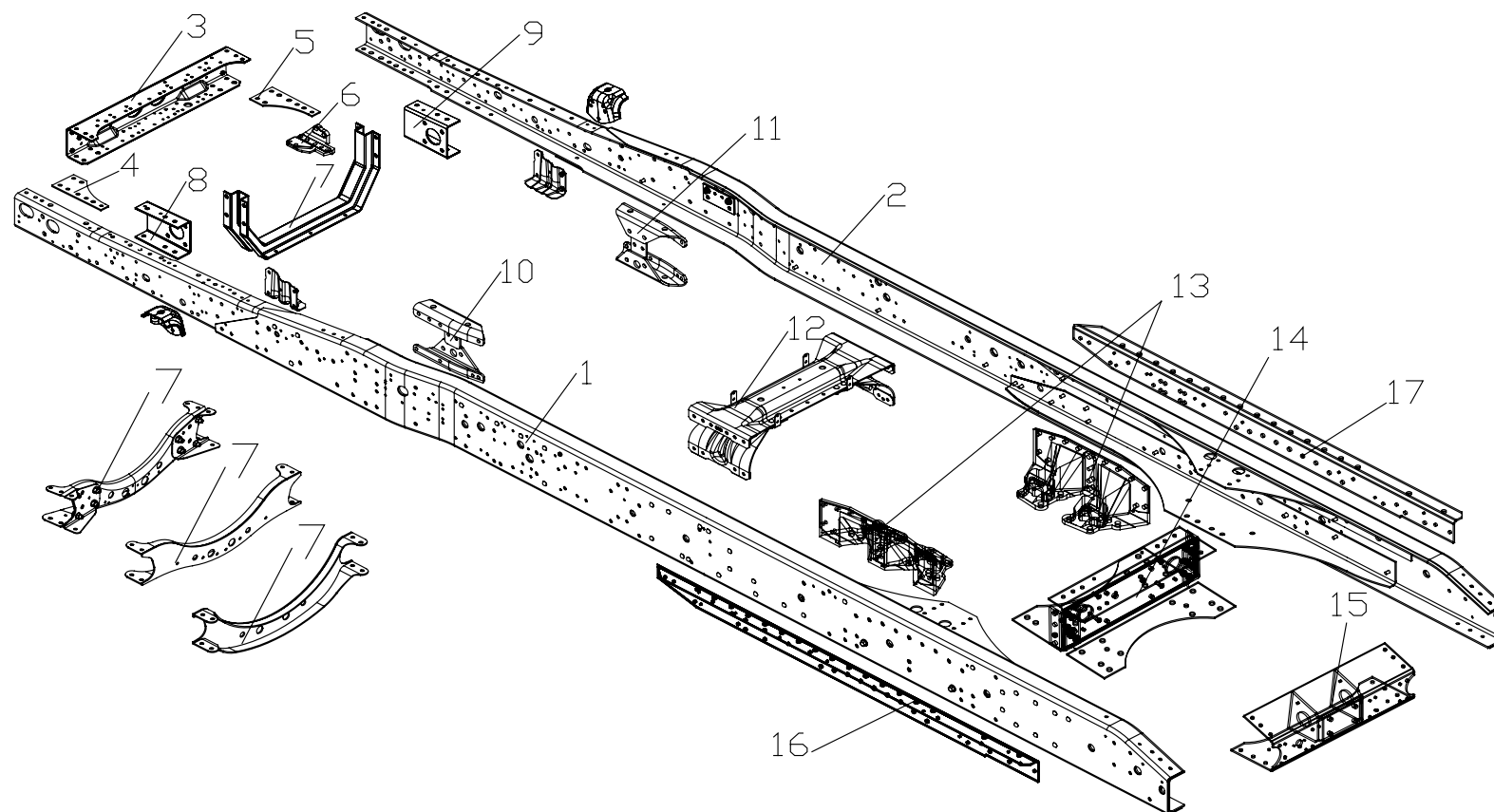
28-F



序号 No.	件号 Part No.	数量 Quantity	名称 Name	规格 Specification	适用产品 Products Applied	备注 Remark
13	28AP-01150	1	传动轴中间支撑横梁总成 Propeller Shaft Center Support Cross Member Assembly		三菱动力 MITSUBISHI Engine	
	28A4DP-01150	1	传动轴中间支撑横梁总成 Propeller Shaft Center Support Cross Member Assembly		其它动力 Other Engine	
14	28AP-01160	1	第六横梁 Sixth Cross Member			
15	29AD-18511	2	平衡轴支撑块 Supporting Block For Balancing Shaft			
16	28A2D-01150	1	第五横梁总成 Fifth Cross Member Assembly		斯太尔桥 STEYR Axle	
17	28ADP-01067	2	大梁侧挡板 Girder Side Baffle Plate			
18	28AP-01180	1	第八横梁总成 Eighth Cross Member Assembly			
19	28ADQ-06021	1	加强梁 Reinforced Beam			
20	28AD-01171	1	第七横梁 Seventh Cross Member			

28AH4DQ15 车架总成爆炸图 / 28AH4DQ15 FRAME ASSEMBLY

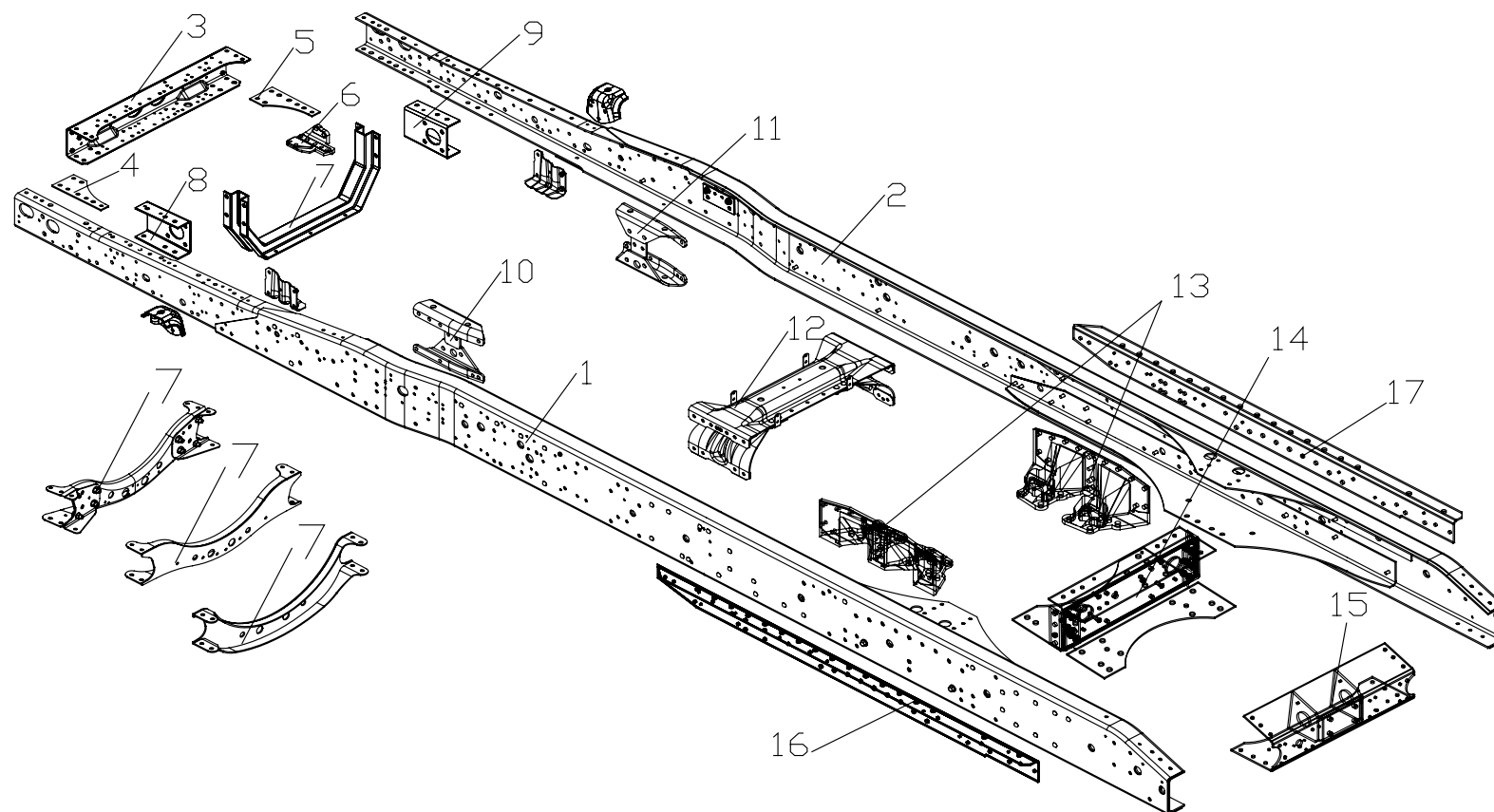
28-G



序号 No.	件号 Part No.	数量 Quantity	名称 Name	规格 Specification	适用产品 Products Applied	备注 Remark
	28AHDQ15-00610	1	车架总成 Frame Assembly		三菱动力 MITSUBISHI Engine	
	28AH2DQ15-00610	1	车架总成 Frame Assembly		斯太尔动力 STEYR Engine	
	28AH3DQ15-00610	1	车架总成 Frame Assembly		五十铃动力 ISUZU Engine	
	28AH4DQ15-00610	1	车架总成 Frame Assembly		康明斯动力 CUMMINS Engine	
1	28AHDQ15-01625	1	左纵梁总成 Side Member Assembly LH		三菱动力 MITSUBISHI Engine	
	28AH2DQ15-01625	1	左纵梁总成 Side Member Assembly LH		斯太尔动力 STEYR Engine	
	28AH3DQ15-01625	1	左纵梁总成 Side Member Assembly LH		五十铃动力 ISUZU Engine	
	28AH4DQ15-01625	1	左纵梁总成 Side Member Assembly LH		康明斯动力 CUMMINS Engine	
2	28AHDQ15-01635	1	右纵梁总成 Side Member Assembly RH		三菱动力 MITSUBISHI Engine	
	28AH2DQ15-01635	1	右纵梁总成 Side Member Assembly RH		斯太尔动力 STEYR Engine	
	28AH3DQ15-01635	1	右纵梁总成 Side Member Assembly RH		五十铃动力 ISUZU Engine	
	28AH4DQ15-01635	1	右纵梁总成 Side Member Assembly RH		康明斯动力 CUMMINS Engine	
3	28AD-01110	1	第一横梁总成 First Cross Member Assembly			
4	28A-01114	1	下连接板 - 第一横梁 Lower Connecting Panel-First Cross Member			

28AH4DQ15 车架总成爆炸图 / 28AH4DQ15 FRAME ASSEMBLY

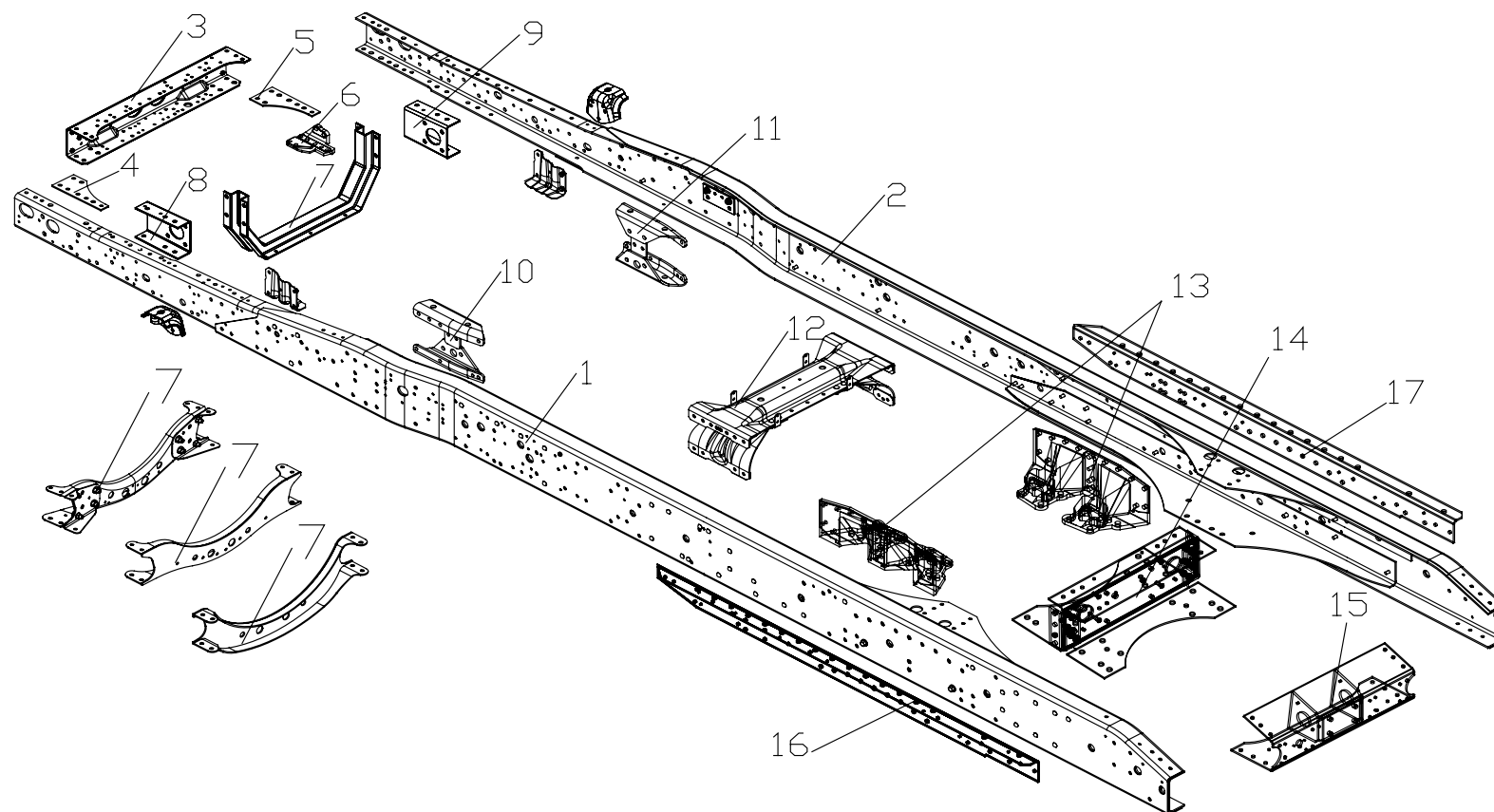
28-G



序号 No.	件号 Part No.	数量 Quantity	名称 Name	规格 Specification	适用产品 Products Applied	备注 Remark
5	28AD-01114	1	右下连接板 - 第一横梁 Right Lower Connecting Panel-First Cross Member			
6	28AD-06012	1	拖钩支架 Towing Hook Bracket			
7	28AD-01120	1	第二横梁总成 Second Cross Member Assembly		三菱动力 MITSUBISHI Engine	
	28A2D-01120	1	第二横梁总成 Second Cross Member Assembly		斯太尔动力 STEYR Engine	
	28A3D-01120	1	第二横梁总成 Second Cross Member Assembly		五十铃动力 ISUZU Engine	
	28A4D-01121	1	第二横梁 Second Cross Member		康明斯动力 CUMMINS Engine	
8	28A4D-01122	1	左支架 - 第二横梁 Left Bracket-Second Cross Member			
9	28A4D-01123	1	右支架 - 第二横梁 Right Bracket-Second Cross Member			
10	28A-01135	1	左支架 - 第三横梁 Left Bracket-Third Cross Member			
11	28A-01230	1	右支架 - 第三横梁 Right Bracket-Third Cross Member			
12	28A-01140	1	第四横梁总成 Fourth Cross Member Assembly			
13	29AD-18511	2	平衡轴支撑块 Supporting Block For Balancing Shaft			
14	28AH2D-01150	1	第五横梁总成 Fifth Cross Member Assembly			
15	28A2DQ-01160	1	第六横梁 Sixth Cross Member Assembly			

28AH4DQ15 车架总成爆炸图 / 28AH4DQ15 FRAME ASSEMBLY

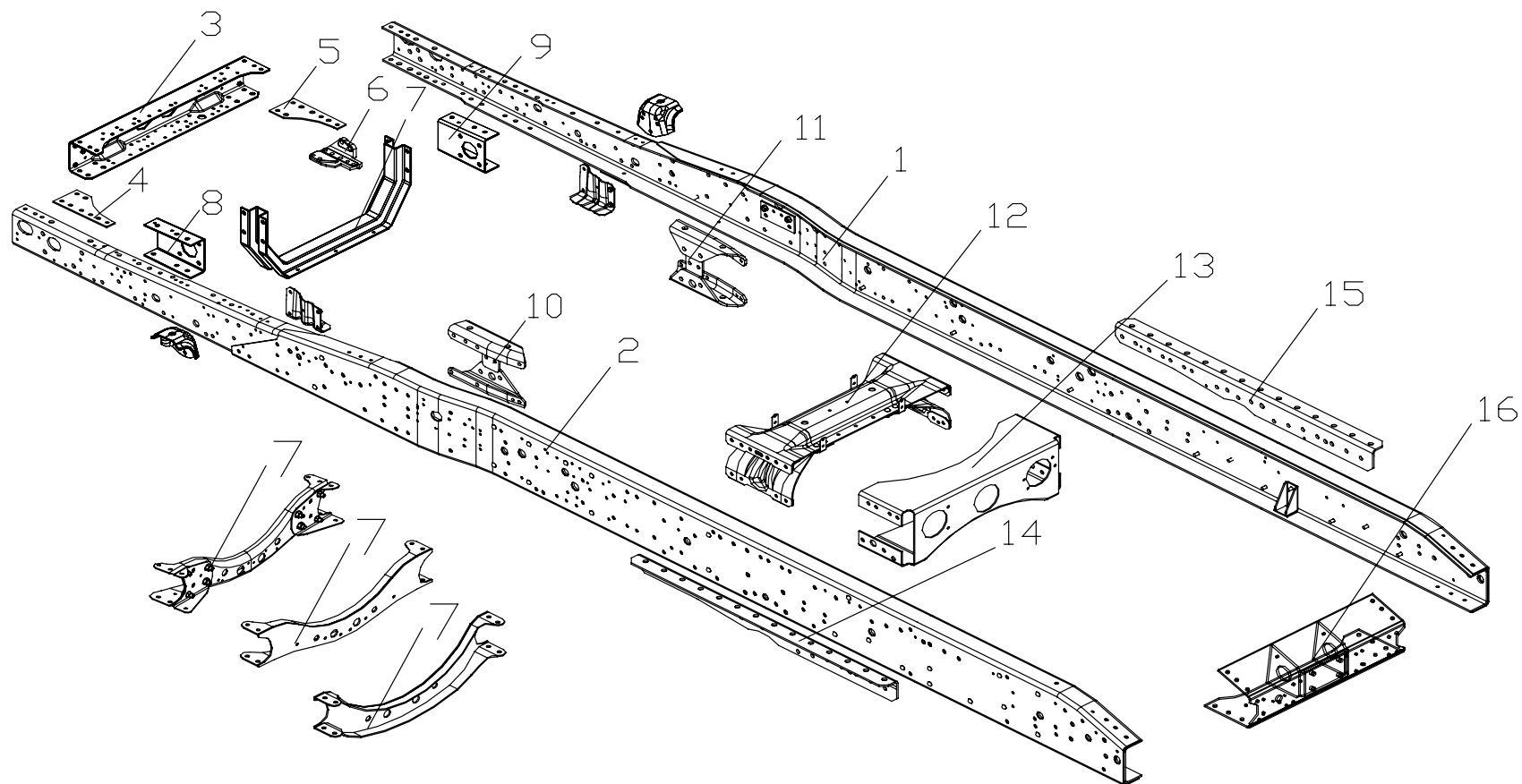
28-G



序号 No.	件号 Part No.	数量 Quantity	名称 Name	规格 Specification	适用产品 Products Applied	备注 Remark
16	28ADQ-01061	1	左连接支架 - 牵引座 Connecting Bracket LH-Fifth Wheel			
17	28ADQ-01062	1	右连接支架 - 牵引座 Connecting Bracket RH-Fifth Wheel			

28AH4DQ1 车架总成爆炸图 / 28AH4DQ1 FRAME ASSEMBLY

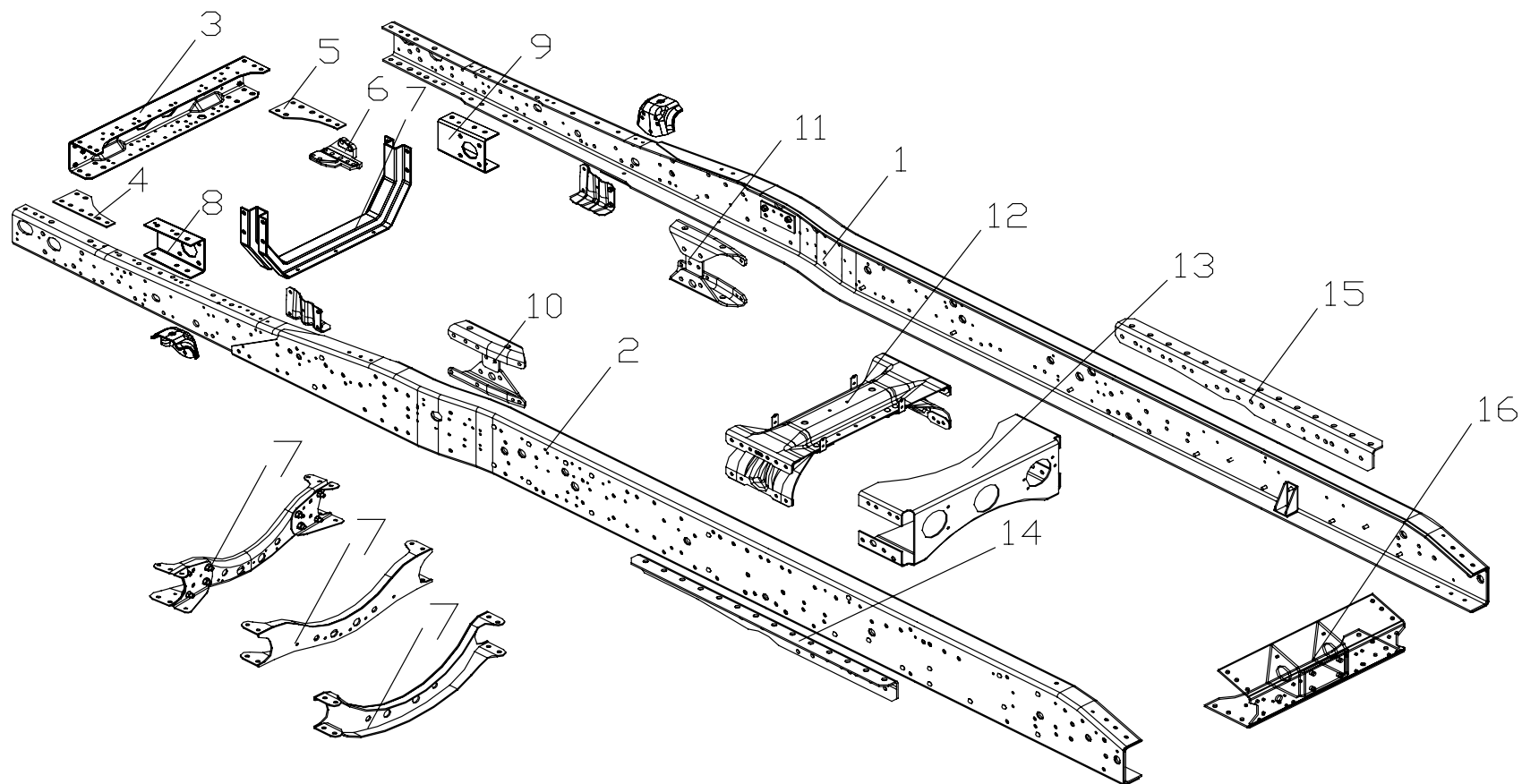
28-H



序号 No.	件号 Part No.	数量 Quantity	名称 Name	规格 Specification	适用产品 Products Applied	备注 Remark
	28AHDQ1-00610	1	车架总成 Frame Assembly		三菱动力 MITSUBISHI Engine	
	28AH2DQ1-00610	1	车架总成 Frame Assembly		斯太尔动力 STEYR Engine	
	28AH3DQ1-00610	1	车架总成 Frame Assembly		五十铃动力 ISUZU Engine	
	28AH4DQ1-00610	1	车架总成 Frame Assembly		康明斯动力 CUMMINS Engine	
1	28AHDQ1-01625	1	左纵梁总成 Side Member Assembly LH		三菱动力 MITSUBISHI Engine	
	28AH2DQ1-01625	1	左纵梁总成 Side Member Assembly LH		斯太尔动力 STEYR Engine	
	28AH3DQ1-01625	1	左纵梁总成 Side Member Assembly LH		五十铃动力 ISUZU Engine	
	28AH4DQ1-01625	1	左纵梁总成 Side Member Assembly LH		康明斯动力 CUMMINS Engine	
2	28AHDQ1-01635	1	右纵梁总成 Side Member Assembly RH		三菱动力 MITSUBISHI Engine	
	28AH2DQ1-01635	1	右纵梁总成 Side Member Assembly RH		斯太尔动力 STEYR Engine	
	28AH3DQ1-01635	1	右纵梁总成 Side Member Assembly RH		五十铃动力 ISUZU Engine	
	28AH4DQ1-01635	1	右纵梁总成 Side Member Assembly RH		康明斯动力 CUMMINS Engine	
3	28AD-01110	1	第一横梁总成 First Cross Member Assembly			
4	28A-01114	1	下连接板 - 第一横梁 Lower Connecting Panel-First Cross Member			

28AH4DQ1 车架总成爆炸图 / 28AH4DQ1 FRAME ASSEMBLY

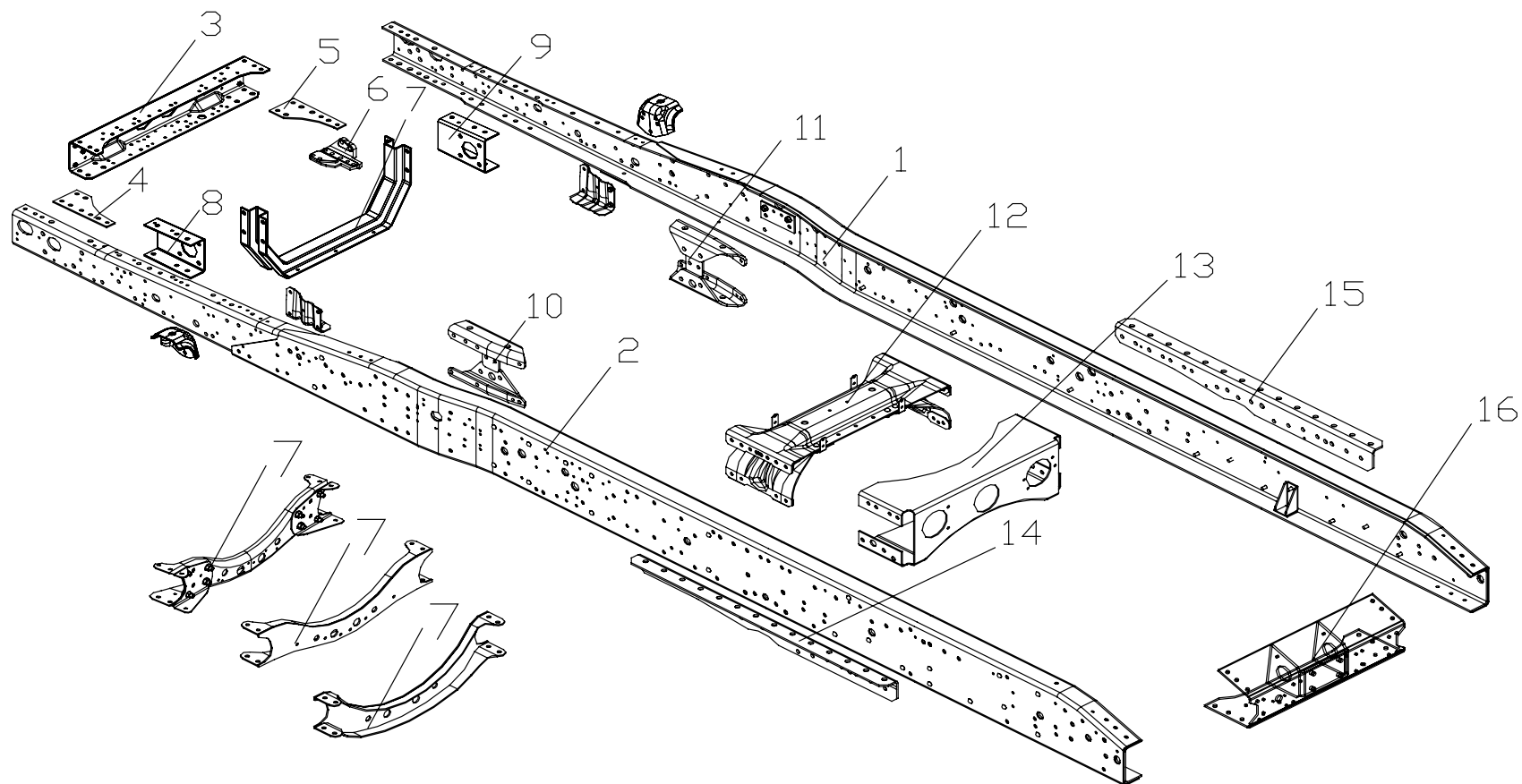
28-H



序号 No.	件号 Part No.	数量 Quantity	名称 Name	规格 Specification	适用产品 Products Applied	备注 Remark
5	28AD-01114	1	右下连接板 - 第一横梁 Right Lower Connecting Panel-First Cross Member			
6	28AD-06012	1	拖钩支架 Towing Hook Bracket			
7	28AD-01120	1	第二横梁总成 Second Cross Member Assembly		三菱动力 MITSUBISHI Engine	
	28A2D-01120	1	第二横梁总成 Second Cross Member Assembly		斯太尔动力 STEYR Engine	
	28A3D-01120	1	第二横梁总成 Second Cross Member Assembly		五十铃动力 ISUZU Engine	
	28A4D-01121	1	第二横梁 Second Cross Member		康明斯动力 CUMMINS Engine	
8	28A4D-01122	1	左支架 - 第二横梁 Left Bracket-Second Cross Member			
9	28A4D-01123	1	右支架 - 第二横梁 Right Bracket-Second Cross Member			
10	28A-01135	1	左支架 - 第三横梁 Left Bracket-Third Cross Member			
11	28A-01230	1	右支架 - 第三横梁 Right Bracket-Third Cross Member			
12	28A-01140	1	第四横梁总成 Fourth Cross Member Assembly			
13	28ADQ1-01151	1	第五横梁 Fifth Cross Member Assembly			
14	28ADQ1-01071	1	左连接支架 - 牵引座 Connecting Bracket LH -Fifth Wheel			
15	28ADQ1-01072	1	右连接支架 - 牵引座 Connecting Bracket RH -Fifth Wheel			

28AH4DQ1 车架总成爆炸图 / 28AH4DQ1 FRAME ASSEMBLY

28-H



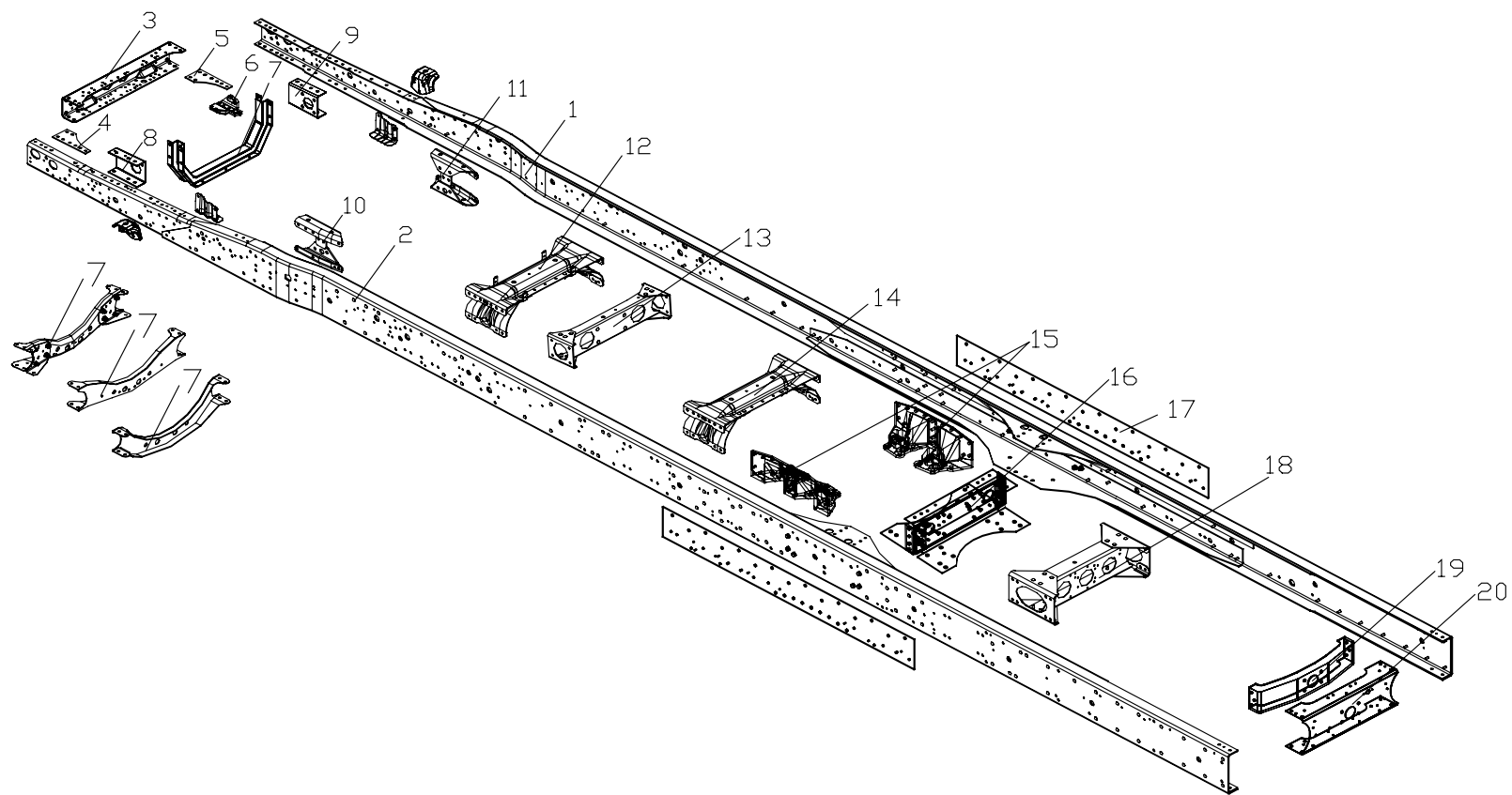
车架系统 / FRAME SYSTEM

28-40

序号 No.	件号 Part No.	数量 Quantity	名称 Name	规格 Specification	适用产品 Products Applied	备注 Remark
16	28A2DQ-01160	1	第六横梁总成 Sixth Cross Member Assembly			

28AH4DP 车架爆炸图 / 28AH4DP FRAME

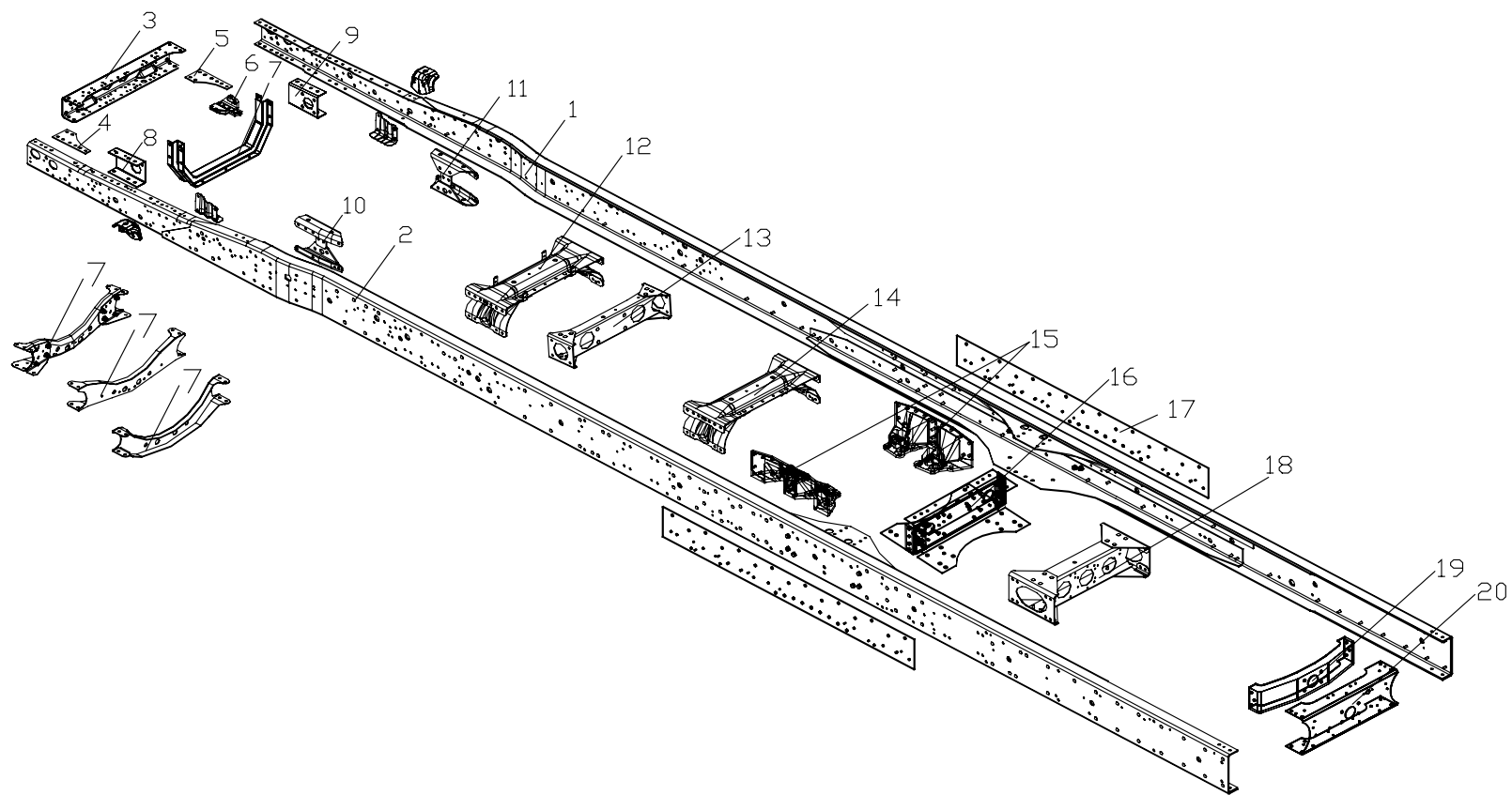
28-1



序号 No.	件号 Part No.	数量 Quantity	名称 Name	规格 Specification	适用产品 Products Applied	备注 Remark
	28AHDP-00610	1	车架总成 Frame Assembly		三菱动力 MITSUBISHI Engine	
	28AH2DP-00610	1	车架总成 Frame Assembly		斯太尔动力 STEYR Engine	
	28AH3DP-00610	1	车架总成 Frame Assembly		五十铃动力 ISUZU Engine	
	28AH4DP-00610	1	车架总成 Frame Assembly		康明斯动力 CUMMINS Engine	
1	28AHDP-01625	1	左纵梁总成 Side Member Assembly LH		三菱动力 MITSUBISHI Engine	
	28AH2DP-01625	1	左纵梁总成 Side Member Assembly LH		斯太尔动力 STEYR Engine	
	28AH3DP-01625	1	左纵梁总成 Side Member Assembly LH		五十铃动力 ISUZU Engine	
	28AH4DP-01625	1	左纵梁总成 Side Member Assembly LH		康明斯动力 CUMMINS Engine	
2	28AHDP-01635	1	右纵梁总成 Side Member Assembly RH		三菱动力 MITSUBISHI Engine	
	28AH2DP-01635	1	右纵梁总成 Side Member Assembly RH		斯太尔动力 STEYR Engine	
	28AH3DP-01635	1	右纵梁总成 Side Member Assembly RH		五十铃动力 ISUZU Engine	
	28AH4DP-01635	1	右纵梁总成 Side Member Assembly RH		康明斯动力 CUMMINS Engine	
3	28AD-01110	1	第一横梁总成 First Cross Member Assembly			
4	28A-01114	1	下连接板 - 第一横梁 Lower Connecting Panel-First Cross Member			

28AH4DP 车架爆炸图 / 28AH4DP FRAME

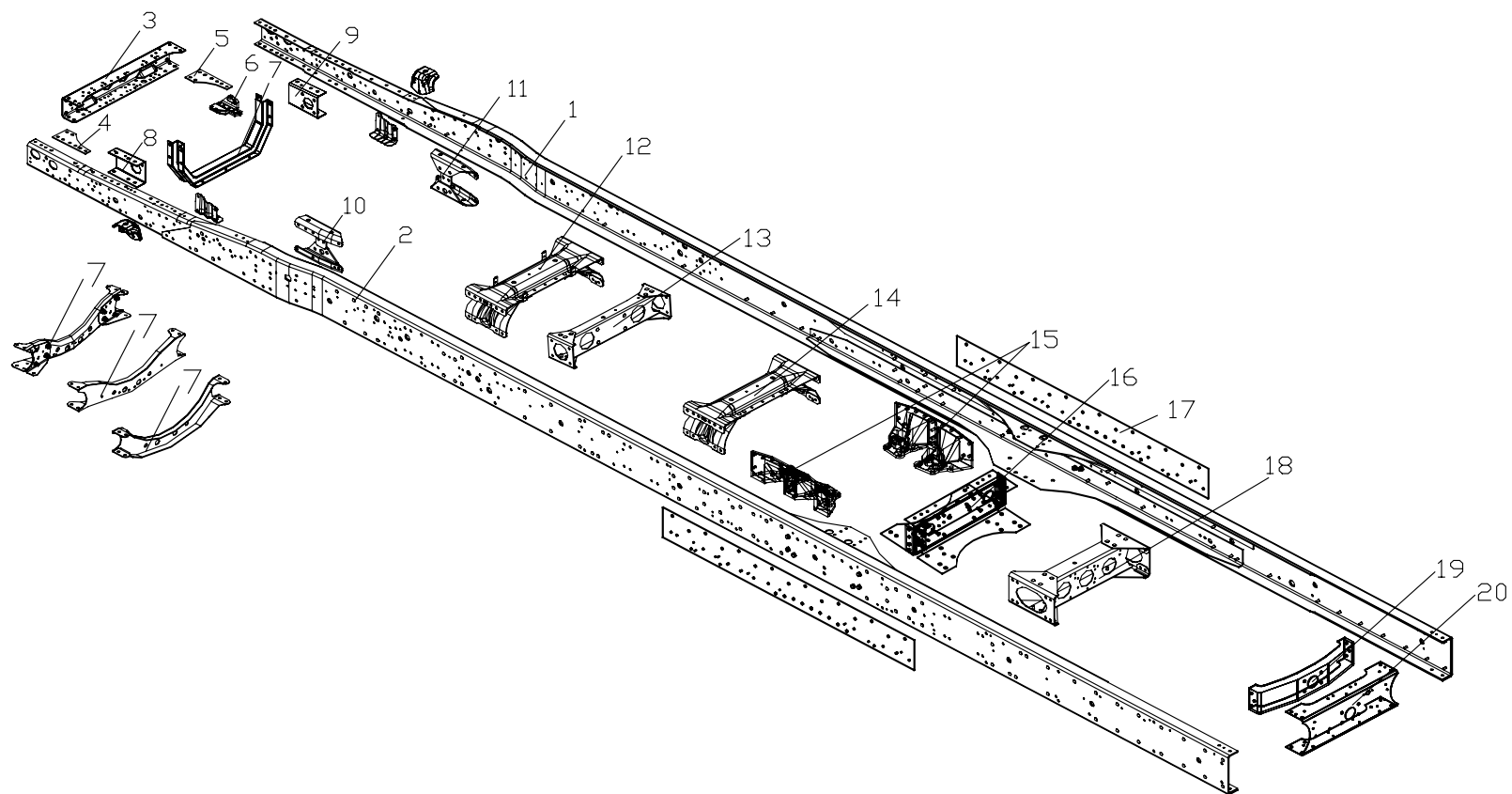
28-1



序号 No.	件号 Part No.	数量 Quantity	名称 Name	规格 Specification	适用产品 Products Applied	备注 Remark
5	28AD-01114	1	右下连接板 - 第一横梁 Right Lower Connecting Panel-First Cross Member			
6	28AD-06012	1	拖钩支架 Towing Hook Bracket			
7	28AD-01120	1	第二横梁总成 Second Cross Member Assembly		三菱动力 MITSUBISHI Engine	
	28A2D-01120	1	第二横梁总成 Second Cross Member Assembly		斯太尔动力 STEYR Engine	
	28A3D-01120	1	第二横梁总成 Second Cross Member Assembly		五十铃动力 ISUZU Engine	
	28A4D-01121	1	第二横梁总成 Second Cross Member Assembly		康明斯动力 CUMMINS Engine	
8	28A4D-01122	1	左支架 - 第二横梁 Left Bracket-Second Cross Member			
9	28A4D-01123	1	右支架 - 第二横梁 Right Bracket-Second Cross Member			
10	28A-01135	1	左支架 - 第三横梁 Left Bracket-Third Cross Member			
11	28A-01230	1	右支架 - 第三横梁 Right Bracket-Third Cross Member			
12	28A-01140	1	第四横梁总成 Fourth Cross Member Assembly			
13	28AP-01150	1	传动轴中间支撑横梁总成 Propeller Shaft Center Support Cross Member Assembly		三菱动力 MITSUBISHI Engine	
	28A4DP-01150	1	传动轴中间支撑横梁总成 Propeller Shaft Center Support Cross Member Assembly		其它动力 Other Engine	
14	28AP-01160	1	第六横梁总成 Sixth Cross Member Assembly			

28AH4DP 车架爆炸图 / 28AH4DP FRAME

28-1



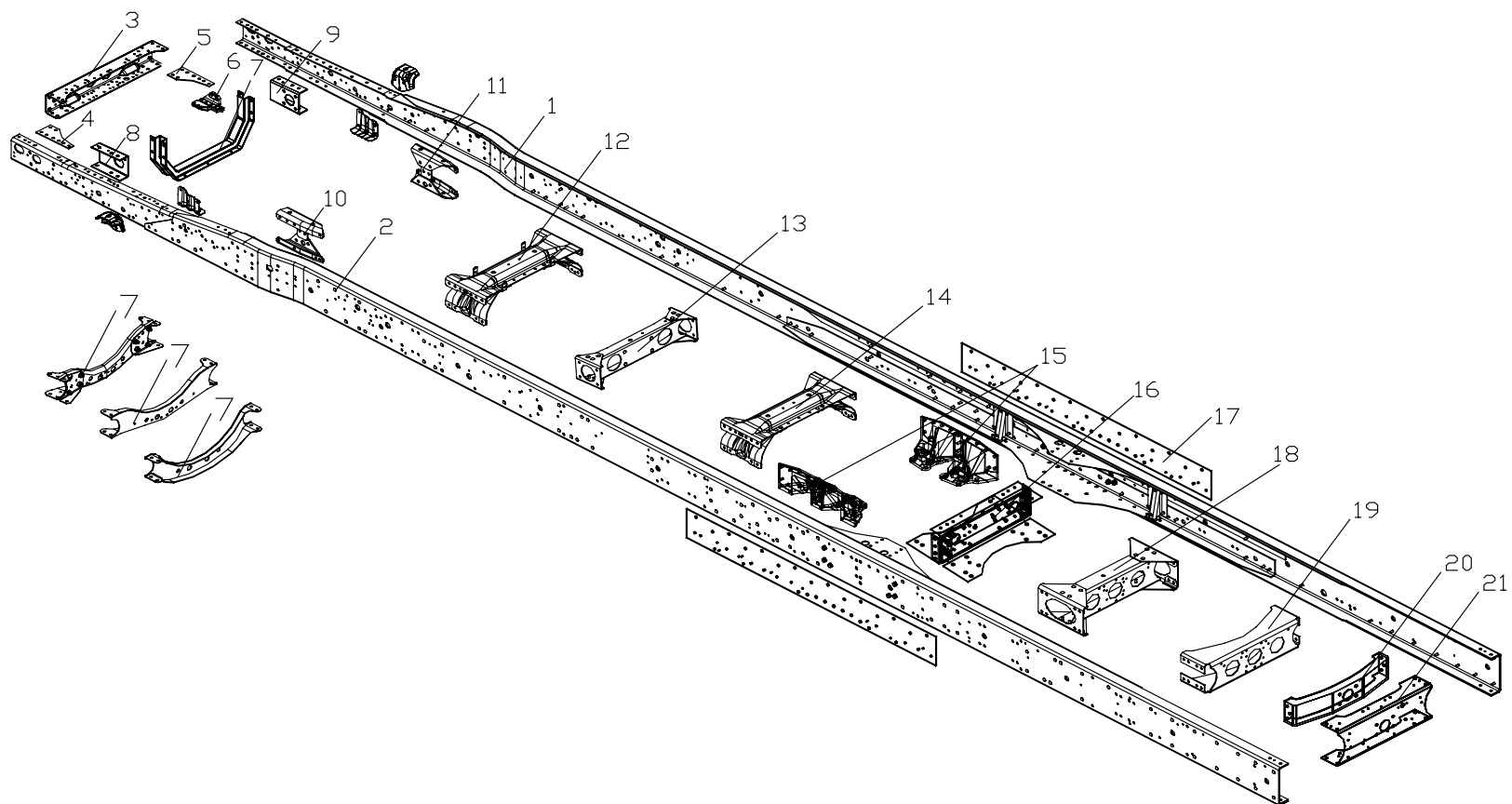
车架系统 / FRAME SYSTEM

28-46

序号 No.	件号 Part No.	数量 Quantity	名称 Name	规格 Specification	适用产品 Products Applied	备注 Remark
15	29AD-18511	2	平衡轴支撑块 Supporting Block For Balancing Shaft			
16	28AH2D-01150	1	第五横梁总成 Fifth Cross Member Assembly			
17	28ADP-01067	2	大梁侧挡板 Girder Side Baffle Plate			
18	28AP-01180	1	第八横梁总成 Eighth Cross Member Assembly			
19	28ADQ-06021	1	加强梁 Reinforced Beam			
20	28AD-01171	1	第七横梁 Seventh Cross Member			

28AH4DP1 车架爆炸图 / 28AH4DP1 FRAME

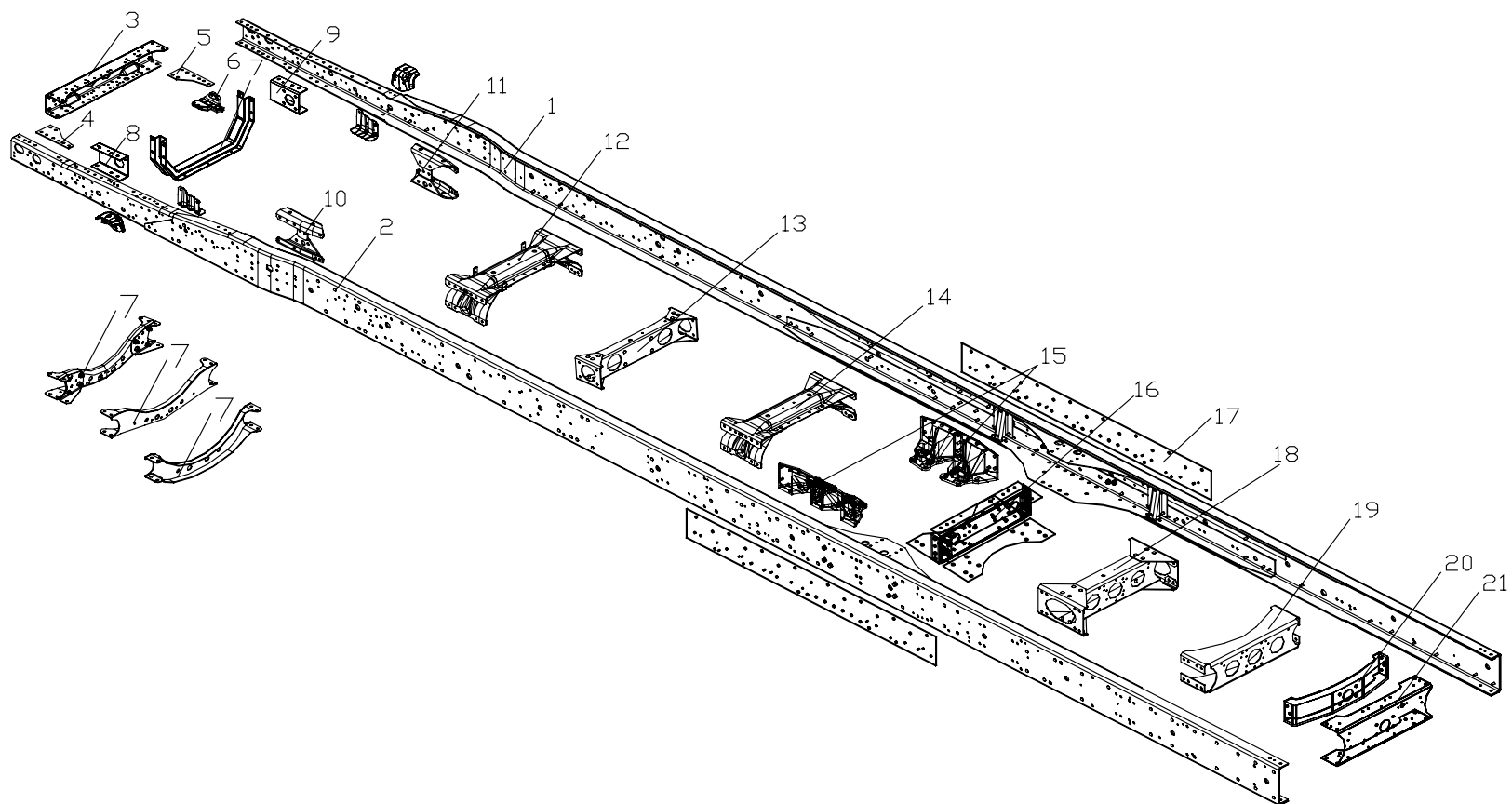
28-J



序号 No.	件号 Part No.	数量 Quantity	名称 Name	规格 Specification	适用产品 Products Applied	备注 Remark
	28AHDP1-00610	1	车架总成 Frame Assembly		三菱动力 MITSUBISHI Engine	
	28AH2DP1-00610	1	车架总成 Frame Assembly		斯太尔动力 STEYR Engine	
	28AH3DP1-00610	1	车架总成 Frame Assembly		五十铃动力 ISUZU Engine	
	28AH4DP1-00610	1	车架总成 Frame Assembly		康明斯动力 CUMMINS Engine	
1	28AHDP1-01625	1	左纵梁总成 Side Member Assembly LH		三菱动力 MITSUBISHI Engine	
	28AH2DP1-01625	1	左纵梁总成 Side Member Assembly LH		斯太尔动力 STEYR Engine	
	28AH3DP1-01625	1	左纵梁总成 Side Member Assembly LH		五十铃动力 ISUZU Engine	
	28AH4DP1-01625	1	左纵梁总成 Side Member Assembly LH		康明斯动力 CUMMINS Engine	
2	28AHDP1-01635	1	右纵梁总成 Side Member Assembly RH		三菱动力 MITSUBISHI Engine	
	28AH2DP1-01635	1	右纵梁总成 Side Member Assembly RH		斯太尔动力 STEYR Engine	
	28AH3DP1-01635	1	右纵梁总成 Side Member Assembly RH		五十铃动力 ISUZU Engine	
	28AH4DP1-01635	1	右纵梁总成 Side Member Assembly RH		康明斯动力 CUMMINS Engine	
3	28AD-01110	1	第一横梁总成 First Cross Member Assembly			
4	28A-01114	1	下连接板 - 第一横梁 Lower Connecting Panel-First Cross Member			

28AH4DP1 车架爆炸图 / 28AH4DP1 FRAME

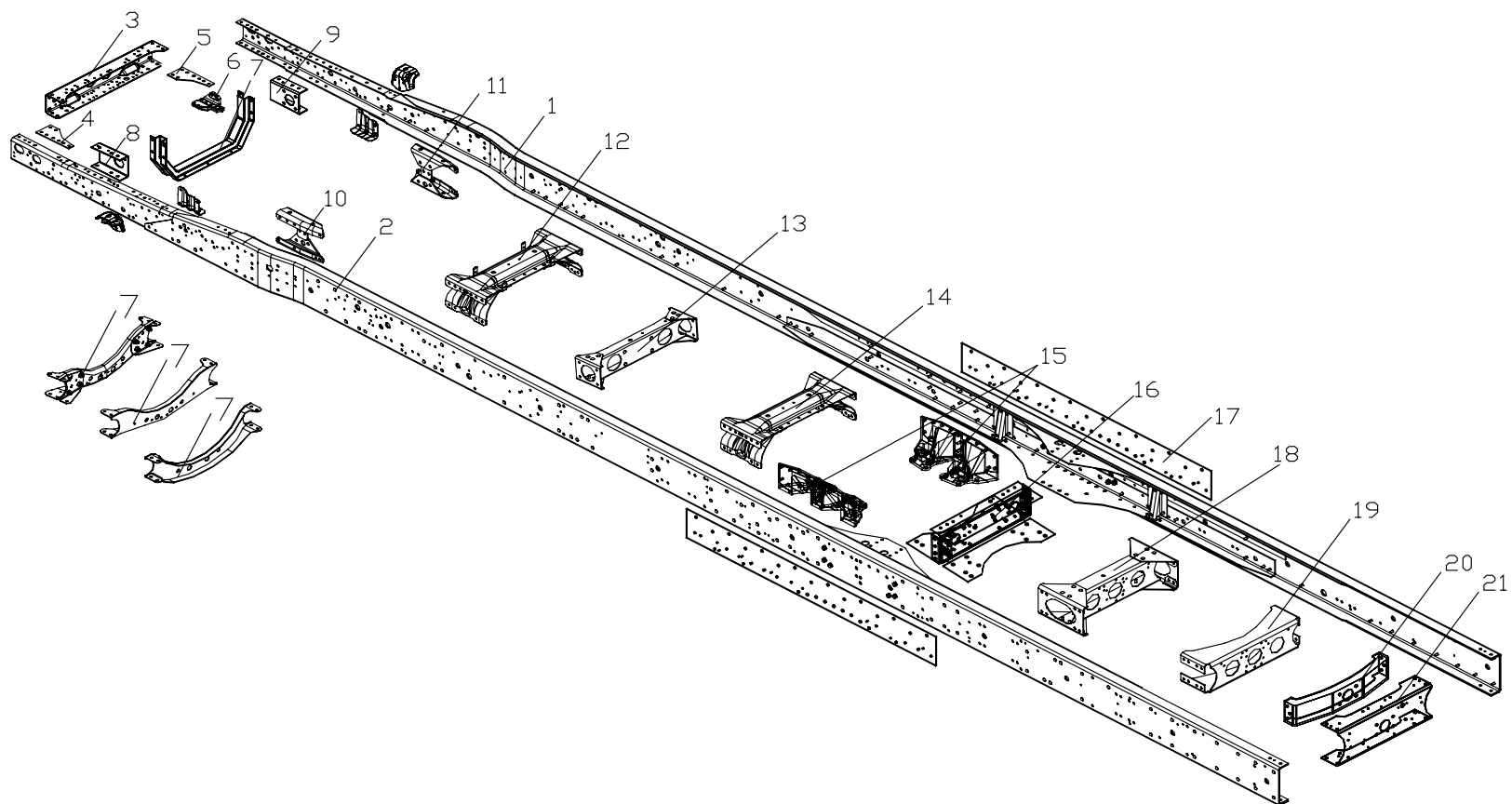
28-J



序号 No.	件号 Part No.	数量 Quantity	名称 Name	规格 Specification	适用产品 Products Applied	备注 Remark
5	28AD-01114	1	右下连接板 - 第一横梁 Right Lower Connecting Panel-First Cross Member			
6	28AD-06012	1	拖钩支架 Towing Hook Bracket			
7	28AD-01120	1	第二横梁总成 Second Cross Member Assembly		三菱动力 MITSUBISHI Engine	
	28A2D-01120	1	第二横梁总成 Second Cross Member Assembly		斯太尔动力 STEYR Engine	
	28A3D-01120	1	第二横梁总成 Second Cross Member Assembly		五十铃动力 ISUZU Engine	
	28A4D-01121	1	第二横梁 Second Cross Member		康明斯动力 CUMMINS Engine	
8	28A4D-01122	1	左支架 - 第二横梁 Left Bracket-Second Cross Member			
9	28A4D-01123	1	右支架 - 第二横梁 Right Bracket-Second Cross Member			
10	28A-01135	1	左支架 - 第三横梁 Left Bracket-Third Cross Member			
11	28A-01230	1	右支架 - 第三横梁 Right Bracket-Third Cross Member			
12	28A-01140	1	第四横梁总成 Fourth Cross Member Assembly			
13	28AP-01150	1	传动轴中间支撑横梁总成 Propeller Shaft Center Support Cross Member Assembly		三菱动力 MITSUBISHI Engine	
	28A4DP-01150	1	传动轴中间支撑横梁总成 Propeller Shaft Center Support Cross Member Assembly		其它动力 Other Engine	
14	28AP-01160	1	第六横梁总成 Sixth Cross Member Assembly			

28AH4DP1 车架爆炸图 / 28AH4DP1 FRAME

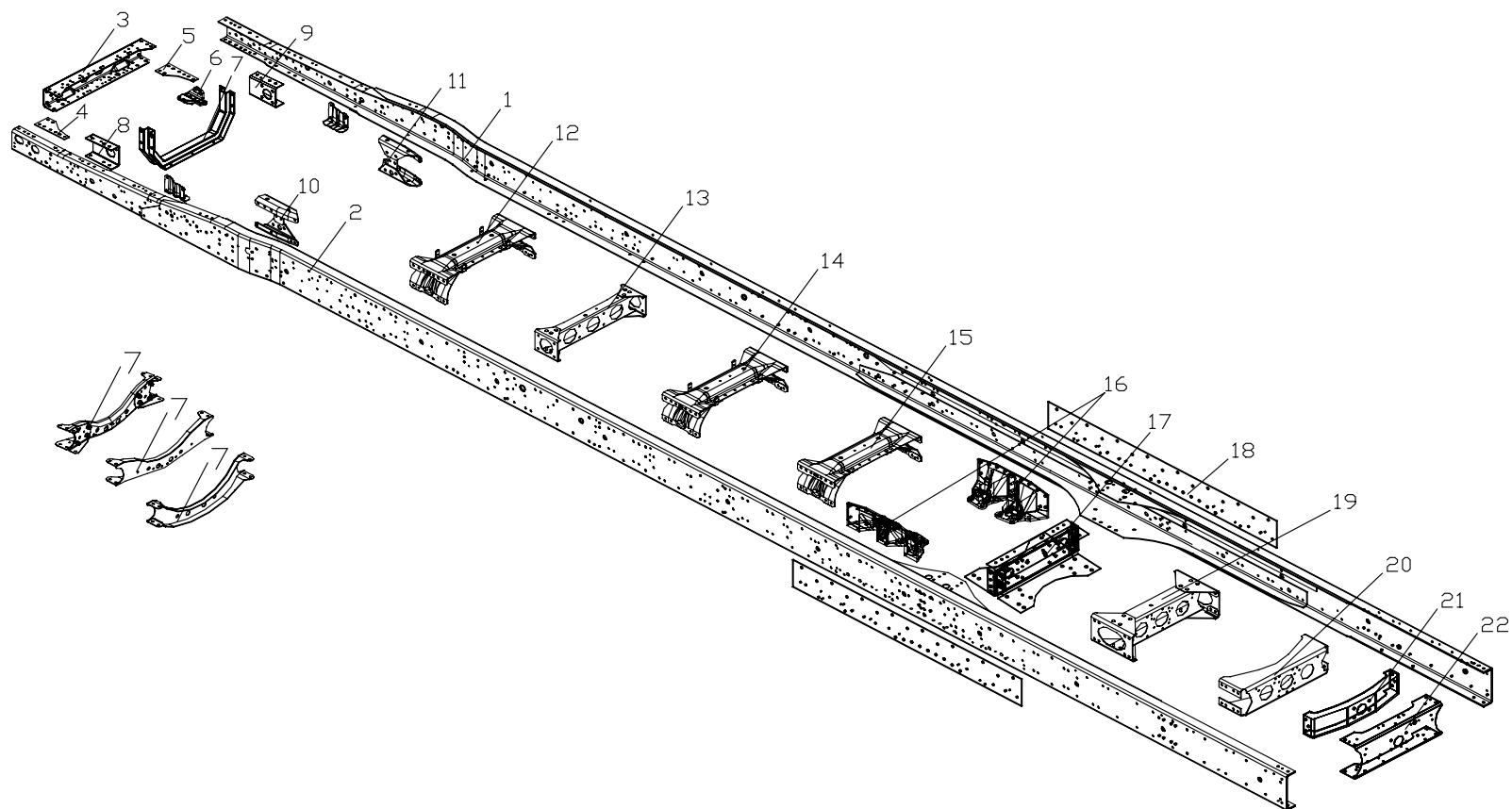
28-J



序号 No.	件号 Part No.	数量 Quantity	名称 Name	规格 Specification	适用产品 Products Applied	备注 Remark
15	29AD-18511	2	平衡轴支撑块 Supporting Block For Balancing Shaft			
16	28AH2D-01150	1	第五横梁总成 Fifth Cross Member Assembly			
17	28ADP-01067	2	大梁侧挡板 Girder Side Baffle Plate			
18	28AP-01180	1	第八横梁总成 Eighth Cross Member Assembly			
19	28AZ-01161	1	第六横梁 Sixth Cross Member			
20	28ADQ-06021	1	加强梁 Reinforced Beam			
21	28AD-01171	1	第七横梁 Seventh Cross Member			

28AH4DP3 车架爆炸图 / 28AH4DP3 FRAME

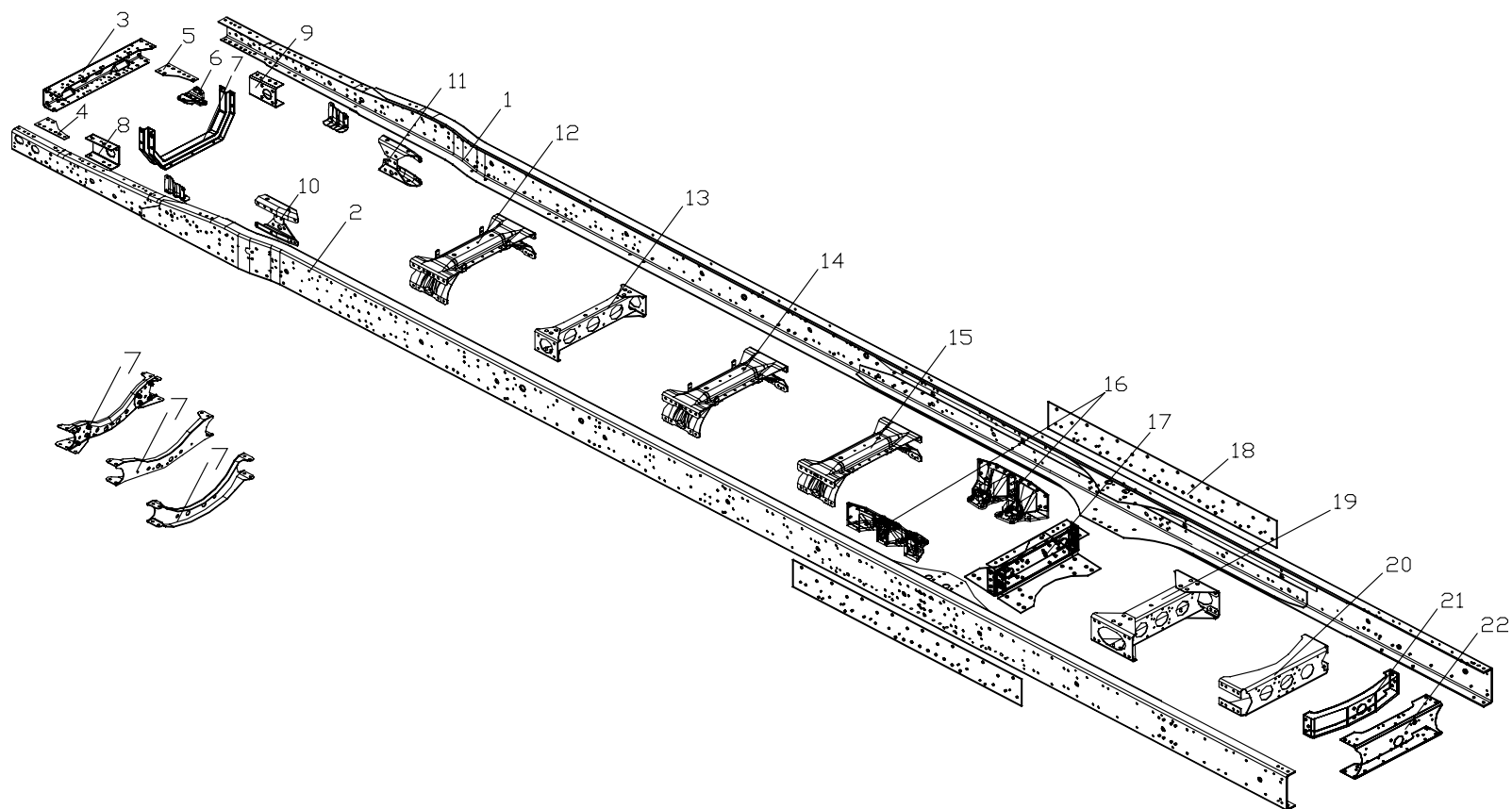
28-K



序号 No.	件号 Part No.	数量 Quantity	名称 Name	规格 Specification	适用产品 Products Applied	备注 Remark
	28AHDP3-00610	1	车架总成 Frame Assembly		三菱动力 MITSUBISHI Engine	
	28AH2DP3-00610	1	车架总成 Frame Assembly		斯太尔动力 STEYR Engine	
	28AH3DP3-00610	1	车架总成 Frame Assembly		五十铃动力 ISUZU Engine	
	28AH4DP3-00610	1	车架总成 Frame Assembly		康明斯动力 CUMMINS Engine	
1	28AHDP3-01625	1	左纵梁总成 Side Member Assembly LH		三菱动力 MITSUBISHI Engine	
	28AH2DP3-01625	1	左纵梁总成 Side Member Assembly LH		斯太尔动力 STEYR Engine	
	28AH3DP3-01625	1	左纵梁总成 Side Member Assembly LH		五十铃动力 ISUZU Engine	
	28AH4DP3-01625	1	左纵梁总成 Side Member Assembly LH		康明斯动力 CUMMINS Engine	
2	28AHDP3-01635	1	右纵梁总成 Side Member Assembly RH		三菱动力 MITSUBISHI Engine	
	28AH2DP3-01635	1	右纵梁总成 Side Member Assembly RH		斯太尔动力 STEYR Engine	
	28AH3DP3-01635	1	右纵梁总成 Side Member Assembly RH		五十铃动力 ISUZU Engine	
	28AH4DP3-01635	1	右纵梁总成 Side Member Assembly RH		康明斯动力 CUMMINS Engine	
3	28AD-01110	1	第一横梁总成 First Cross Member Assembly			
4	28A-01114	1	下连接板 - 第一横梁 Lower Connecting Panel-First Cross Member			

28AH4DP3 车架爆炸图 / 28AH4DP3 FRAME

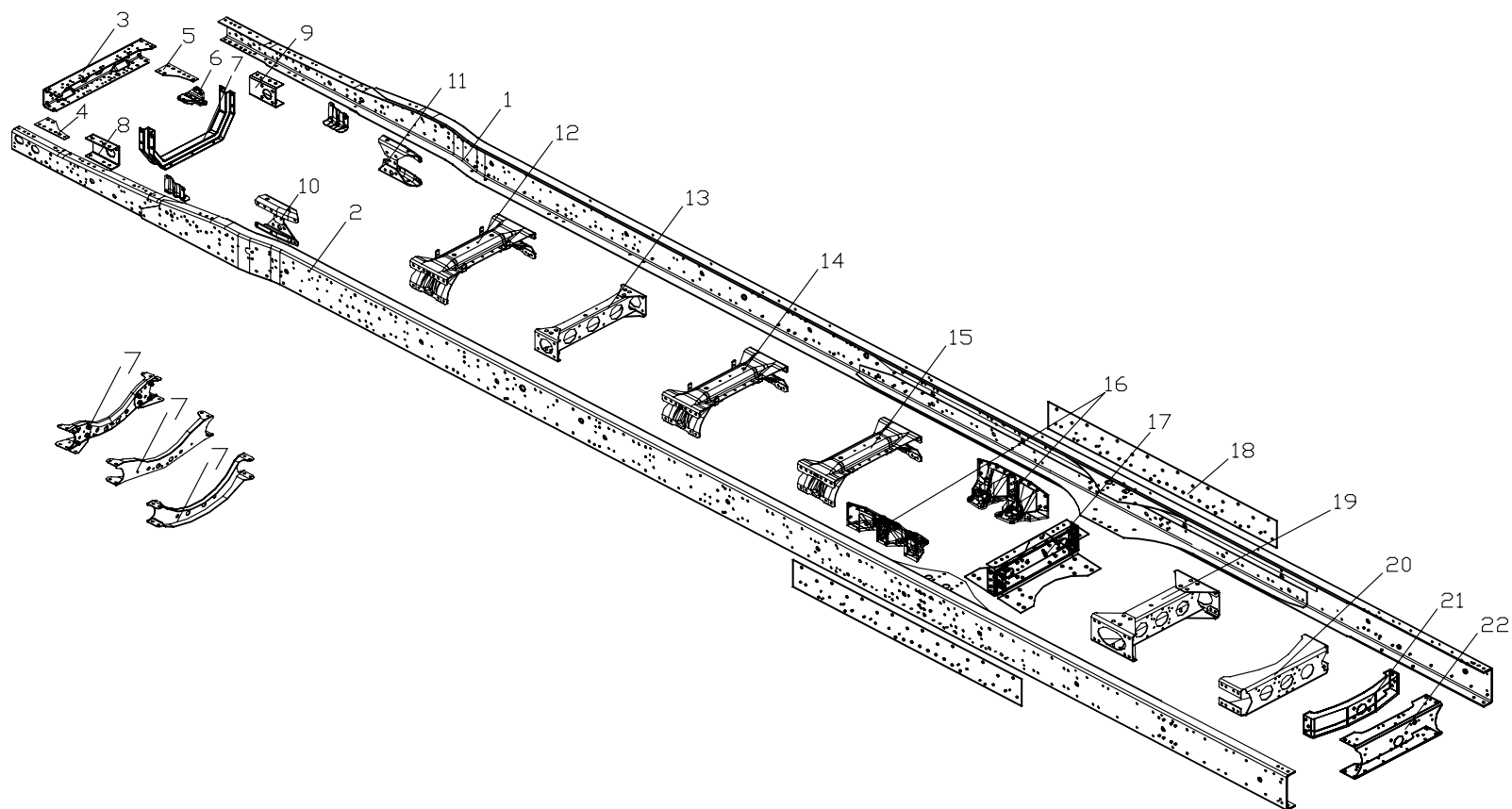
28-K



序号 No.	件号 Part No.	数量 Quantity	名称 Name	规格 Specification	适用产品 Products Applied	备注 Remark
5	28AD-01114	1	右下连接板 - 第一横梁 Right Lower Connecting Panel-First Cross Member			
6	28AD-06012	1	拖钩支架 Towing Hook Bracket			
7	28AD-01120	1	第二横梁总成 Second Cross Member Assembly		三菱动力 MITSUBISHI Engine	
	28A2D-01120	1	第二横梁总成 Second Cross Member Assembly		斯太尔动力 STEYR Engine	
	28A3D-01120	1	第二横梁总成 Second Cross Member Assembly		五十铃动力 ISUZU Engine	
	28A4D-01121	1	第二横梁 Second Cross Member		康明斯动力 CUMMINS Engine	
8	28A4D-01122	1	左支架 - 第二横梁 Left Bracket-Second Cross Member			
9	28A4D-01123	1	右支架 - 第二横梁 Right Bracket-Second Cross Member			
10	28A-01135	1	左支架 - 第三横梁 Left Bracket-Third Cross Member			
11	28A-01230	1	右支架 - 第三横梁 Right Bracket-Third Cross Member			
12	28A-01140	1	第四横梁总成 Fourth Cross Member Assembly			
13	28AP-01150	1	传动轴中间支撑横梁总成 Propeller Shaft Center Support Cross Member Assembly		三菱动力 MITSUBISHI Engine	
	28A4DP-01150	1	传动轴中间支撑横梁总成 Propeller Shaft Center Support Cross Member Assembly		其它动力 Other Engine	
14	28A4DP5-01140	1	第四横梁总成 Fourth Cross Member Assembly			

28AH4DP3 车架爆炸图 / 28AH4DP3 FRAME

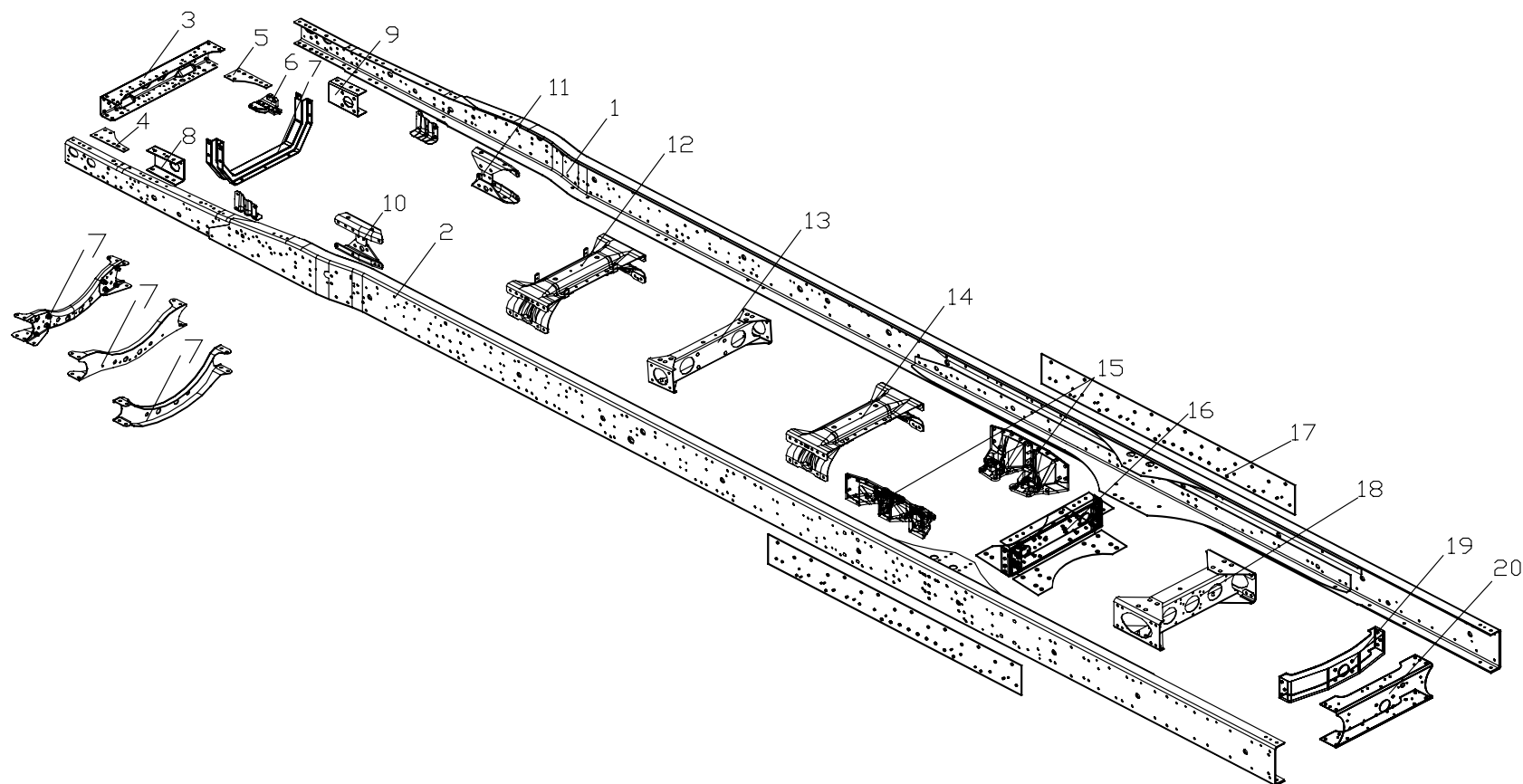
28-K



序号 No.	件号 Part No.	数量 Quantity	名称 Name	规格 Specification	适用产品 Products Applied	备注 Remark
15	28AP-01160	1	第六横梁总成 Sixth Cross Member Assembly			
16	29AD-18511	2	平衡轴支撑块 Supporting Block For Balancing Shaft			
17	28AH2D-01150	1	第五横梁总成 Fifth Cross Member Assembly			
18	28ADP-01067	2	大梁侧挡板 Girder Side Baffle Plate			
19	28AP-01180	1	第八横梁总成 Eighth Cross Member Assembly			
20	28AZ-01161	1	第六横梁 Sixth Cross Member			
21	28ADQ-06021	1	加强梁 Reinforced Beam			
22	28AD-01171	1	第七横梁 Seventh Cross Member			

28AH4DP4 车架爆炸图 / 28AH4DP4 FRAME

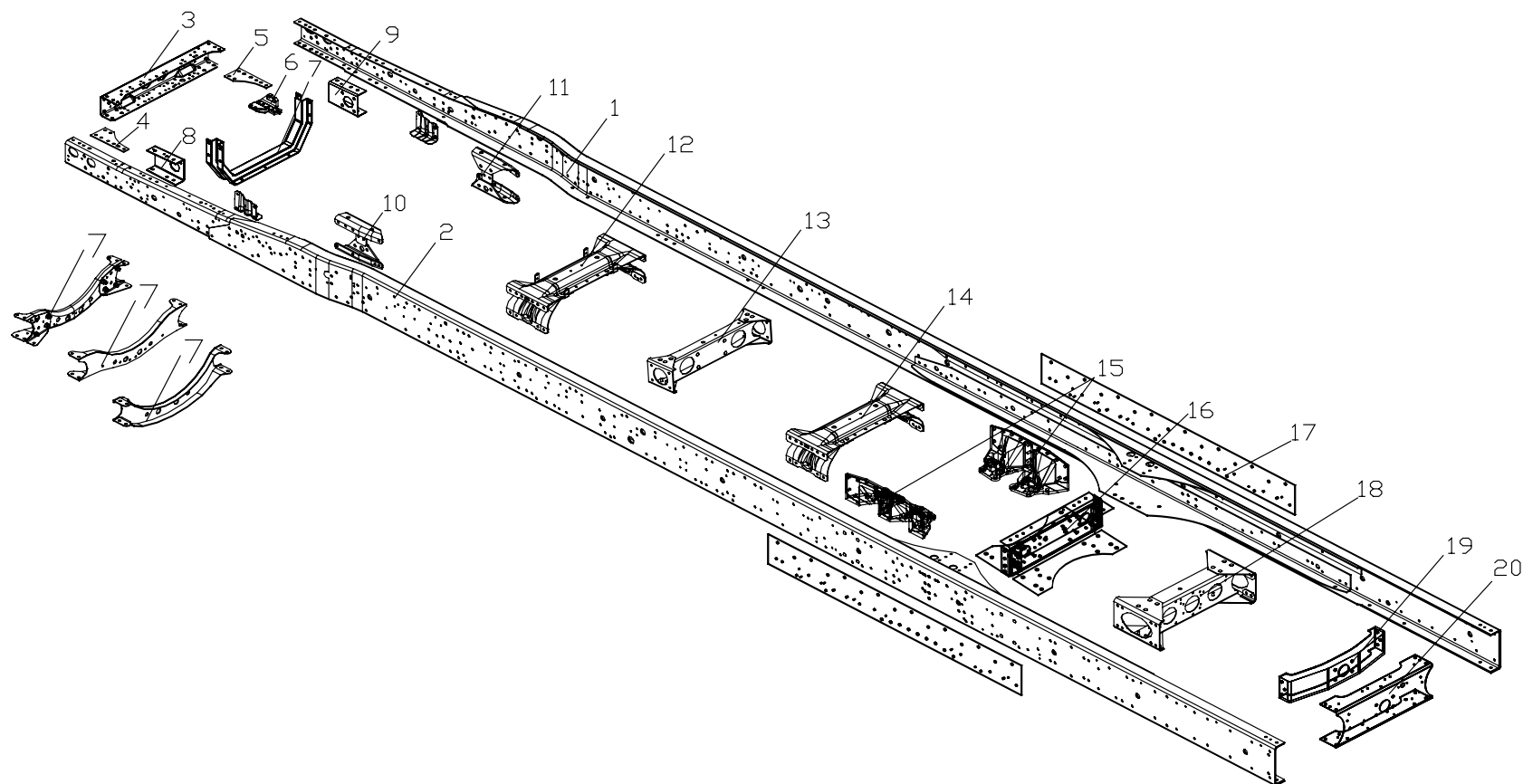
28-L



序号 No.	件号 Part No.	数量 Quantity	名称 Name	规格 Specification	适用产品 Products Applied	备注 Remark
	28AHDP4-00610	1	车架总成 Frame Assembly		三菱动力 MITSUBISHI Engine	
	28AH2DP4-00610	1	车架总成 Frame Assembly		斯太尔动力 STEYR Engine	
	28AH3DP4-00610	1	车架总成 Frame Assembly		五十铃动力 ISUZU Engine	
	28AH4DP4-00610	1	车架总成 Frame Assembly		康明斯动力 CUMMINS Engine	
1	28AHDP4-01625	1	左纵梁总成 Side Member Assembly LH		三菱动力 MITSUBISHI Engine	
	28AH2DP4-01625	1	左纵梁总成 Side Member Assembly LH		斯太尔动力 STEYR Engine	
	28AH3DP4-01625	1	左纵梁总成 Side Member Assembly LH		五十铃动力 ISUZU Engine	
	28AH4DP4-01625	1	左纵梁总成 Side Member Assembly LH		康明斯动力 CUMMINS Engine	
2	28AHDP4-01635	1	右纵梁总成 Side Member Assembly RH		三菱动力 MITSUBISHI Engine	
	28AH2DP4-01635	1	右纵梁总成 Side Member Assembly RH		斯太尔动力 STEYR Engine	
	28AH3DP4-01635	1	右纵梁总成 Side Member Assembly RH		五十铃动力 ISUZU Engine	
	28AH4DP4-01635	1	右纵梁总成 Side Member Assembly RH		康明斯动力 CUMMINS Engine	
3	28AD-01110	1	第一横梁总成 First Cross Member Assembly			
4	28A-01114	1	下连接板 - 第一横梁 Lower Connecting Panel-First Cross Member			

28AH4DP4 车架爆炸图 / 28AH4DP4 FRAME

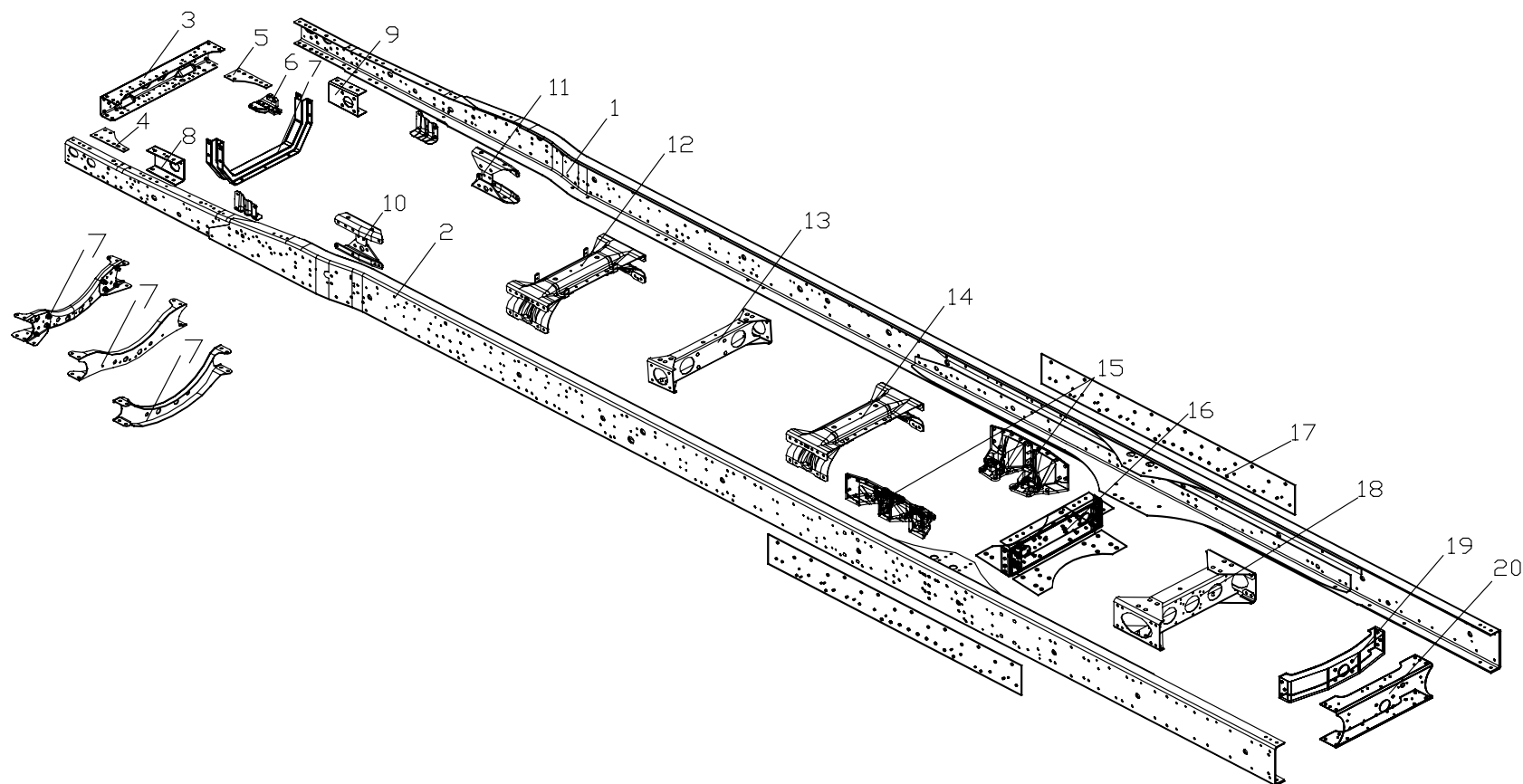
28-L



序号 No.	件号 Part No.	数量 Quantity	名称 Name	规格 Specification	适用产品 Products Applied	备注 Remark
5	28AD-01114	1	右下连接板 - 第一横梁 Right Lower Connecting Panel-First Cross Member			
6	28AD-06012	1	拖钩支架 Towing Hook Bracket			
7	28AD-01120	1	第二横梁总成 Second Cross Member Assembly		三菱动力 MITSUBISHI Engine	
	28A2D-01120	1	第二横梁总成 Second Cross Member Assembly		斯太尔动力 STEYR Engine	
	28A3D-01120	1	第二横梁总成 Second Cross Member Assembly		五十铃动力 ISUZU Engine	
	28A4D-01121	1	第二横梁总成 Second Cross Member Assembly		康明斯动力 CUMMINS Engine	
8	28A4D-01122	1	左支架 - 第二横梁 Left Bracket-Second Cross Member			
9	28A4D-01123	1	右支架 - 第二横梁 Right Bracket-Second Cross Member			
10	28A-01135	1	左支架 - 第三横梁 Left Bracket-Third Cross Member			
11	28A-01230	1	右支架 - 第三横梁 Right Bracket-Third Cross Member			
12	28A-01140	1	第四横梁总成 Fourth Cross Member Assembly			
13	28AP-01150	1	传动轴中间支撑横梁总成 Propeller Shaft Center Support Cross Member Assembly		三菱动力 MITSUBISHI Engine	
	28A4DP-01150	1	传动轴中间支撑横梁总成 Propeller Shaft Center Support Cross Member Assembly		其它动力 Other Engine	
14	28AP-01160	1	第六横梁总成 Sixth Cross Member Assembly			

28AH4DP4 车架爆炸图 / 28AH4DP4 FRAME

28-L



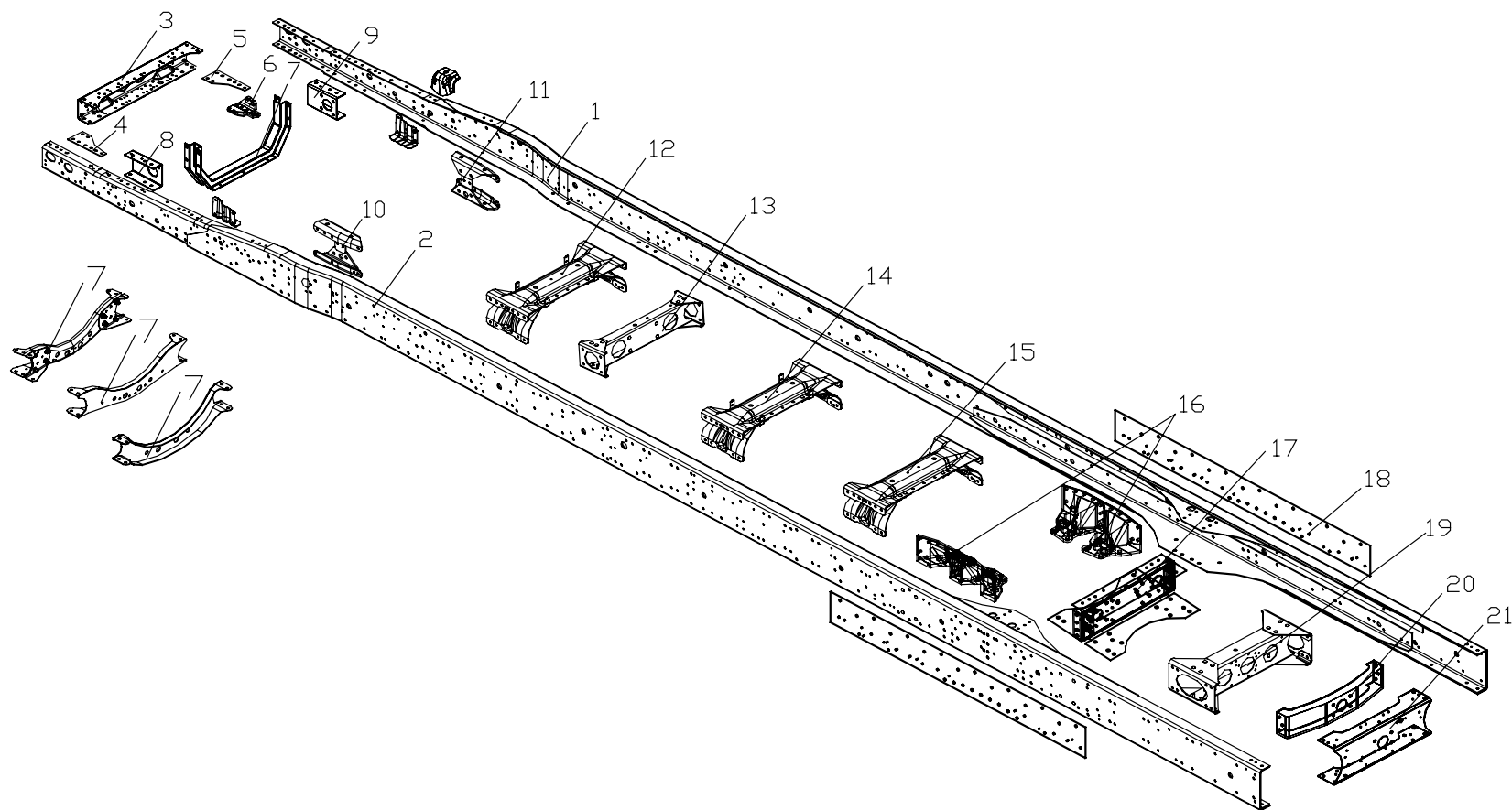
车架系统 / FRAME SYSTEM

28-64

序号 No.	件号 Part No.	数量 Quantity	名称 Name	规格 Specification	适用产品 Products Applied	备注 Remark
15	29AD-18511	2	平衡轴支撑块 Supporting Block For Balancing Shaft			
16	28AH2D-01150	1	第五横梁总成 Fifth Cross Member Assembly			
17	28ADP-01067	2	大梁侧挡板 Girder Side Baffle Plate			
18	28AP-01180	1	第八横梁总成 Eighth Cross Member Assembly			
19	28ADQ-06021	1	加强梁 Reinforced Beam			
20	28AD-01171	1	第七横梁 Seventh Cross Member			

28AH4DP5 车架爆炸图 / 28AH4DP5 FRAME

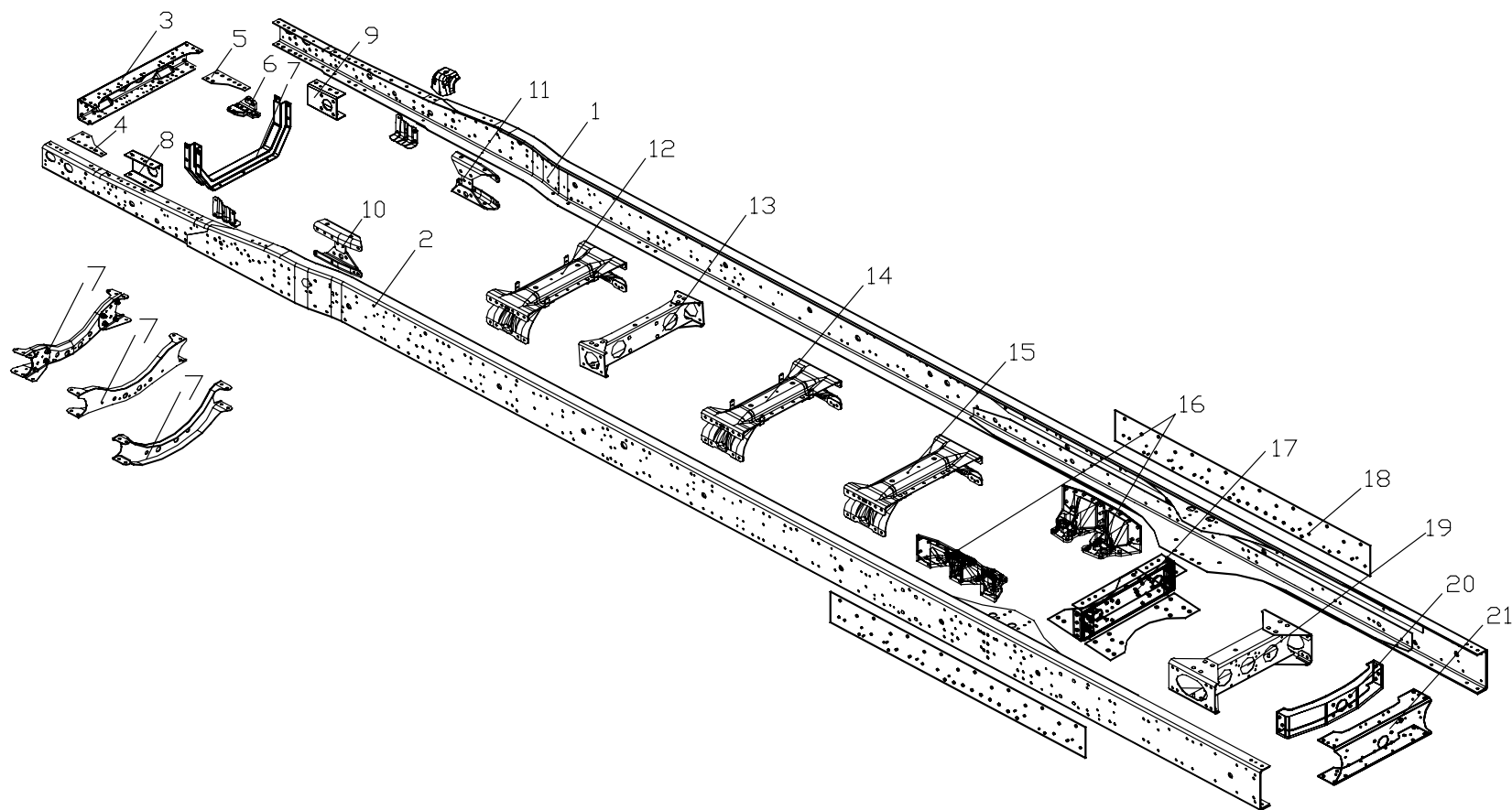
28-M



序号 No.	件号 Part No.	数量 Quantity	名称 Name	规格 Specification	适用产品 Products Applied	备注 Remark
	28AHDP5-00610	1	车架总成 Frame Assembly		三菱动力 MITSUBISHI Engine	
	28AH2DP5-00610	1	车架总成 Frame Assembly		斯太尔动力 STEYR Engine	
	28AH3DP5-00610	1	车架总成 Frame Assembly		五十铃动力 ISUZU Engine	
	28AH4DP5-00610	1	车架总成 Frame Assembly		康明斯动力 CUMMINS Engine	
1	28AHDP5-01625	1	左纵梁总成 Side Member Assembly LH		三菱动力 MITSUBISHI Engine	
	28AH2DP5-01625	1	左纵梁总成 Side Member Assembly LH		斯太尔动力 STEYR Engine	
	28AH3DP5-01625	1	左纵梁总成 Side Member Assembly LH		五十铃动力 ISUZU Engine	
	28AH4DP5-01625	1	左纵梁总成 Side Member Assembly LH		康明斯动力 CUMMINS Engine	
2	28AHDP5-01635	1	右纵梁总成 Side Member Assembly RH		三菱动力 MITSUBISHI Engine	
	28AH2DP5-01635	1	右纵梁总成 Side Member Assembly RH		斯太尔动力 STEYR Engine	
	28AH3DP5-01635	1	右纵梁总成 Side Member Assembly RH		五十铃动力 ISUZU Engine	
	28AH4DP5-01635	1	右纵梁总成 Side Member Assembly RH		康明斯动力 CUMMINS Engine	
3	28AD-01110	1	第一横梁总成 First Cross Member Assembly			
4	28A-01114	1	下连接板 - 第一横梁 Lower Connecting Panel-First Cross Member			

28AH4DP5 车架爆炸图 / 28AH4DP5 FRAME

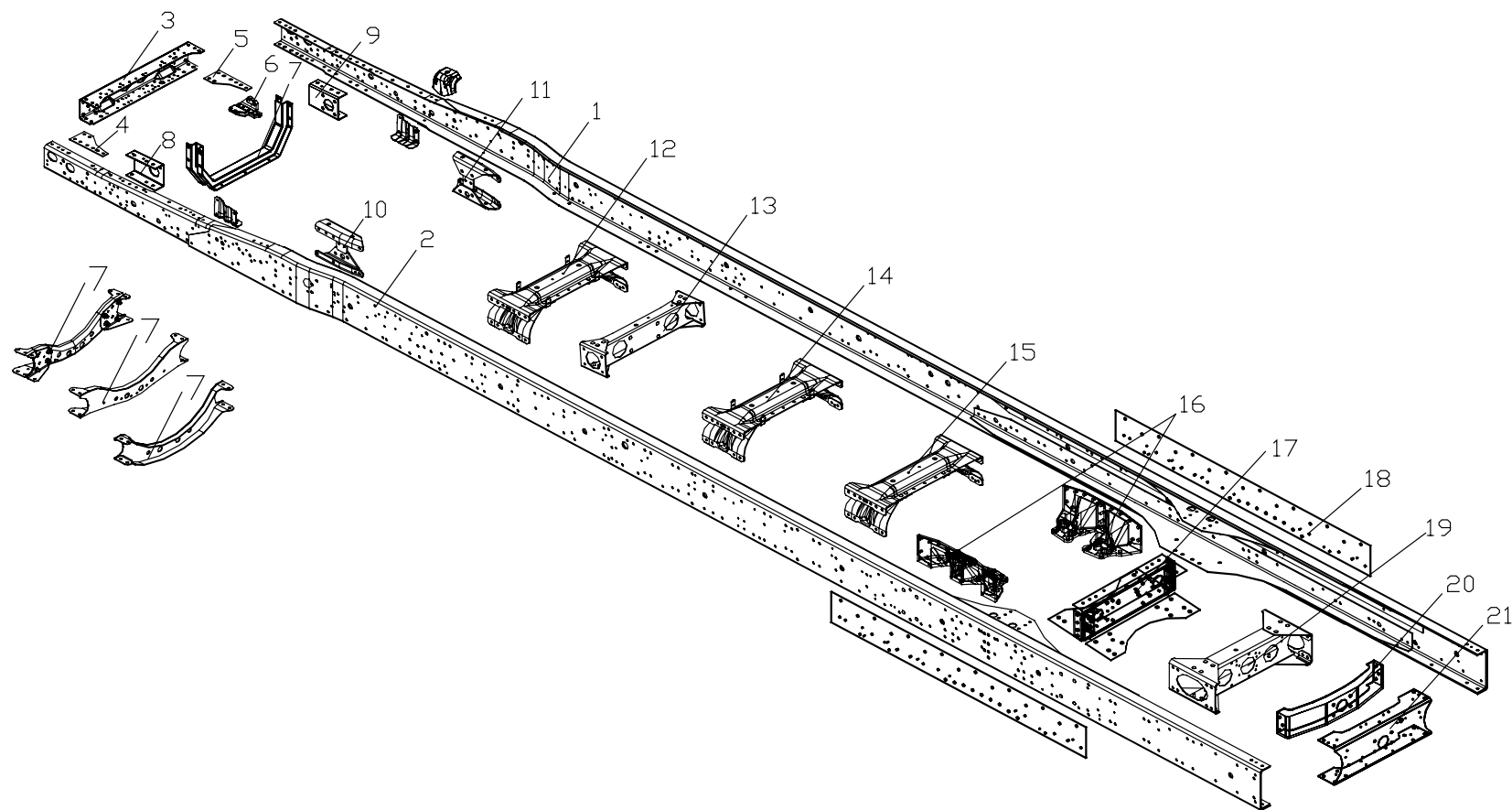
28-M



序号 No.	件号 Part No.	数量 Quantity	名称 Name	规格 Specification	适用产品 Products Applied	备注 Remark
5	28AD-01114	1	右下连接板 - 第一横梁 Right Lower Connecting Panel-First Cross Member			
6	28AD-06012	1	拖钩支架 Towing Hook Bracket			
7	28AD-01120	1	第二横梁总成 Second Cross Member Assembly		三菱动力 MITSUBISHI Engine	
	28A2D-01120	1	第二横梁总成 Second Cross Member Assembly		斯太尔动力 STEYR Engine	
	28A3D-01120	1	第二横梁总成 Second Cross Member Assembly		五十铃动力 ISUZU Engine	
	28A4D-01121	1	第二横梁 Second Cross Member		康明斯动力 CUMMINS Engine	
8	28A4D-01122	1	左支架 - 第二横梁 Left Bracket-Second Cross Member			
9	28A4D-01123	1	右支架 - 第二横梁 Right Bracket-Second Cross Member			
10	28A-01135	1	左支架 - 第三横梁 Left Bracket-Third Cross Member			
11	28A-01230	1	右支架 - 第三横梁 Right Bracket-Third Cross Member			
12	28A-01140	1	第四横梁总成 Fourth Cross Member Assembly			
13	28AP-01150	1	传动轴中间支撑横梁总成 Propeller Shaft Center Support Cross Member Assembly		三菱动力 MITSUBISHI Engine	
	28A4DP-01150	1	传动轴中间支撑横梁总成 Propeller Shaft Center Support Cross Member Assembly		其它动力 Other Engine	
14	28A4DP5-01140	1	第四横梁总成 Fourth Cross Member Assembly			

28AH4DP5 车架爆炸图 / 28AH4DP5 FRAME

28-M



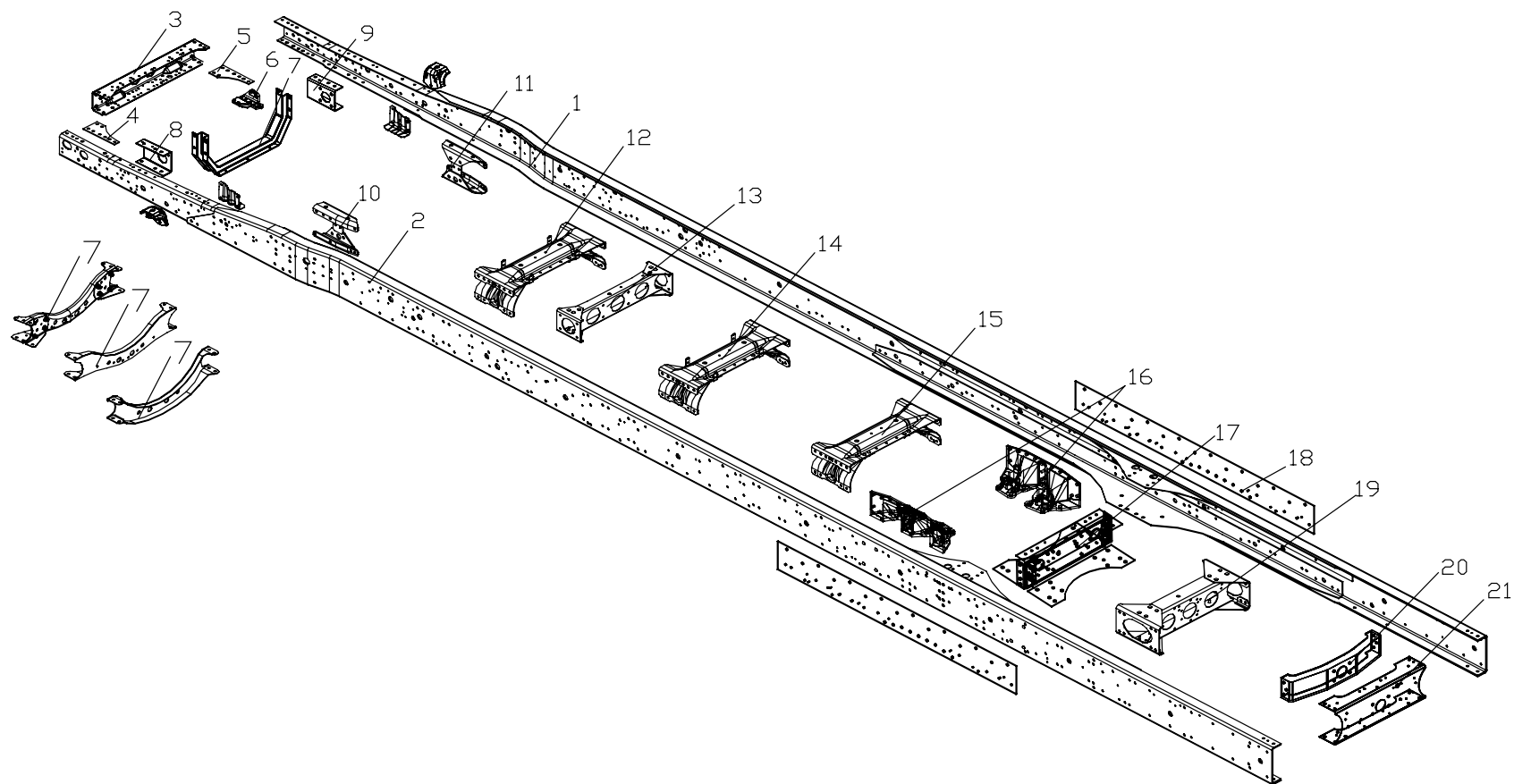
车架系统 / FRAME SYSTEM

28-70

序号 No.	件号 Part No.	数量 Quantity	名称 Name	规格 Specification	适用产品 Products Applied	备注 Remark
15	28AP-01160	1	第六横梁总成 Sixth Cross Member Assembly			
16	29AD-18511	2	平衡轴支撑块 Supporting Block For Balancing Shaft			
17	28AH2D-01150	1	第五横梁总成 Fifth Cross Member Assembly			
18	28ADP-01067	2	大梁侧挡板 Girder Side Baffle Plate			
19	28AP-01180	1	第八横梁总成 Eighth Cross Member Assembly			
20	28ADQ-06021	1	加强梁 Reinforced Beam			
21	28AD-01171	1	第七横梁 Seventh Cross Member			

28AH4DP9 车架爆炸图 / 28AH4DP9 FRAME

28-N



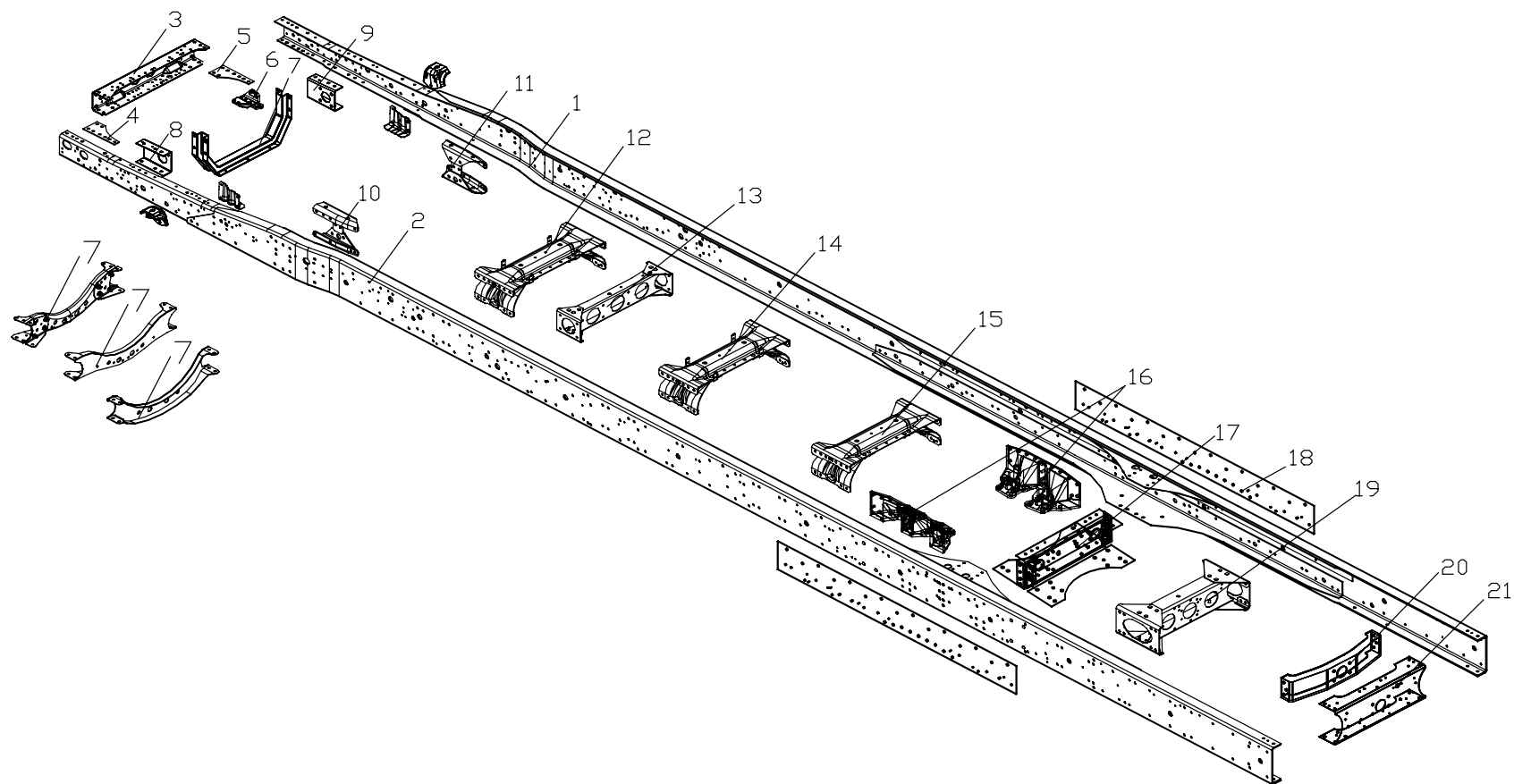
车架系统 / FRAME SYSTEM

28-72

序号 No.	件号 Part No.	数量 Quantity	名称 Name	规格 Specification	适用产品 Products Applied	备注 Remark
	28AHDP9-00610	1	车架总成 Frame Assembly		三菱动力 MITSUBISHI Engine	
	28AH2DP9-00610	1	车架总成 Frame Assembly		斯太尔动力 STEYR Engine	
	28AH3DP9-00610	1	车架总成 Frame Assembly		五十铃动力 ISUZU Engine	
	28AH4DP9-00610	1	车架总成 Frame Assembly		康明斯动力 CUMMINS Engine	
1	28AHDP9-01625	1	左纵梁总成 Side Member Assembly LH		三菱动力 MITSUBISHI Engine	
	28AH2DP9-01625	1	左纵梁总成 Side Member Assembly LH		斯太尔动力 STEYR Engine	
	28AH3DP9-01625	1	左纵梁总成 Side Member Assembly LH		五十铃动力 ISUZU Engine	
	28AH4DP9-01625	1	左纵梁总成 Side Member Assembly LH		康明斯动力 CUMMINS Engine	
2	28AHDP9-01635	1	右纵梁总成 Side Member Assembly RH		三菱动力 MITSUBISHI Engine	
	28AH2DP9-01635	1	右纵梁总成 Side Member Assembly RH		斯太尔动力 STEYR Engine	
	28AH3DP9-01635	1	右纵梁总成 Side Member Assembly RH		五十铃动力 ISUZU Engine	
	28AH4DP9-01635	1	右纵梁总成 Side Member Assembly RH		康明斯动力 CUMMINS Engine	
3	28AD-01110	1	第一横梁总成 First Cross Member Assembly			
4	28A-01114	1	下连接板 - 第一横梁 Lower Connecting Panel-First Cross Member			

28AH4DP9 车架爆炸图 / 28AH4DP9 FRAME

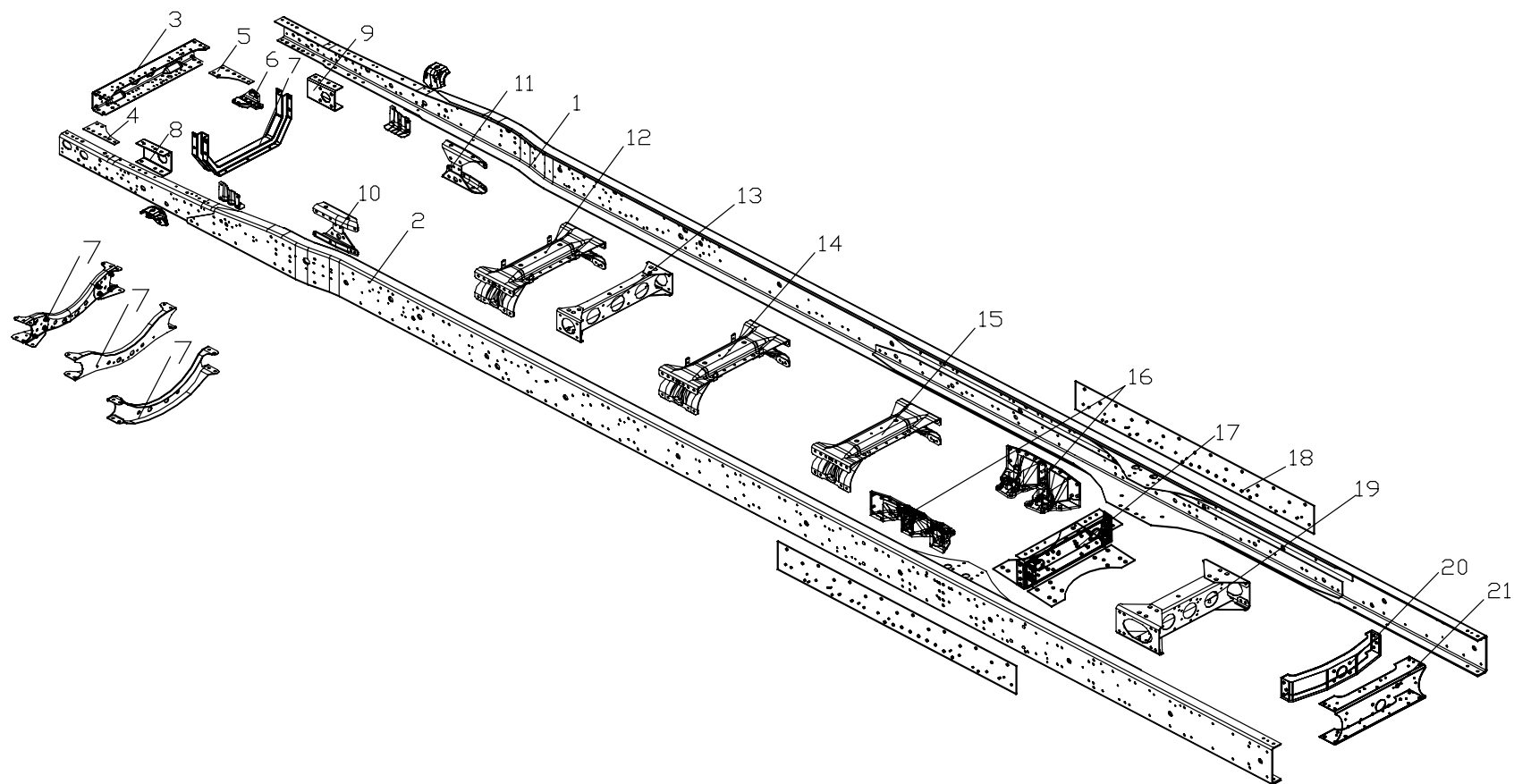
28-N



序号 No.	件号 Part No.	数量 Quantity	名称 Name	规格 Specification	适用产品 Products Applied	备注 Remark
5	28AD-01114	1	右下连接板 - 第一横梁 Right Lower Connecting Panel-First Cross Member			
6	28AD-06012	1	拖钩支架 Towing Hook Bracket			
7	28AD-01120	1	第二横梁总成 Second Cross Member Assembly		三菱动力 MITSUBISHI Engine	
	28A2D-01120	1	第二横梁总成 Second Cross Member Assembly		斯太尔动力 STEYR Engine	
	28A3D-01120	1	第二横梁总成 Second Cross Member Assembly		五十铃动力 ISUZU Engine	
	28A4D-01121	1	第二横梁 Second Cross Member		康明斯动力 CUMMINS Engine	
8	28A4D-01122	1	左支架 - 第二横梁 Left Bracket-Second Cross Member			
9	28A4D-01123	1	右支架 - 第二横梁 Right Bracket-Second Cross Member			
10	28A-01135	1	左支架 - 第三横梁 Left Bracket-Third Cross Member			
11	28A-01230	1	右支架 - 第三横梁 Right Bracket-Third Cross Member			
12	28A-01140	1	第四横梁总成 Fourth Cross Member Assembly			
13	28AP-01150	1	传动轴中间支撑横梁总成 Propeller Shaft Center Support Cross Member Assembly		三菱动力 MITSUBISHI Engine	
	28A4DP-01150	1	传动轴中间支撑横梁总成 Propeller Shaft Center Support Cross Member Assembly		其它动力 Other Engine	
14	28A4DP5-01140	1	第四横梁总成 Fourth Cross Member Assembly			

28AH4DP9 车架爆炸图 / 28AH4DP9 FRAME

28-N



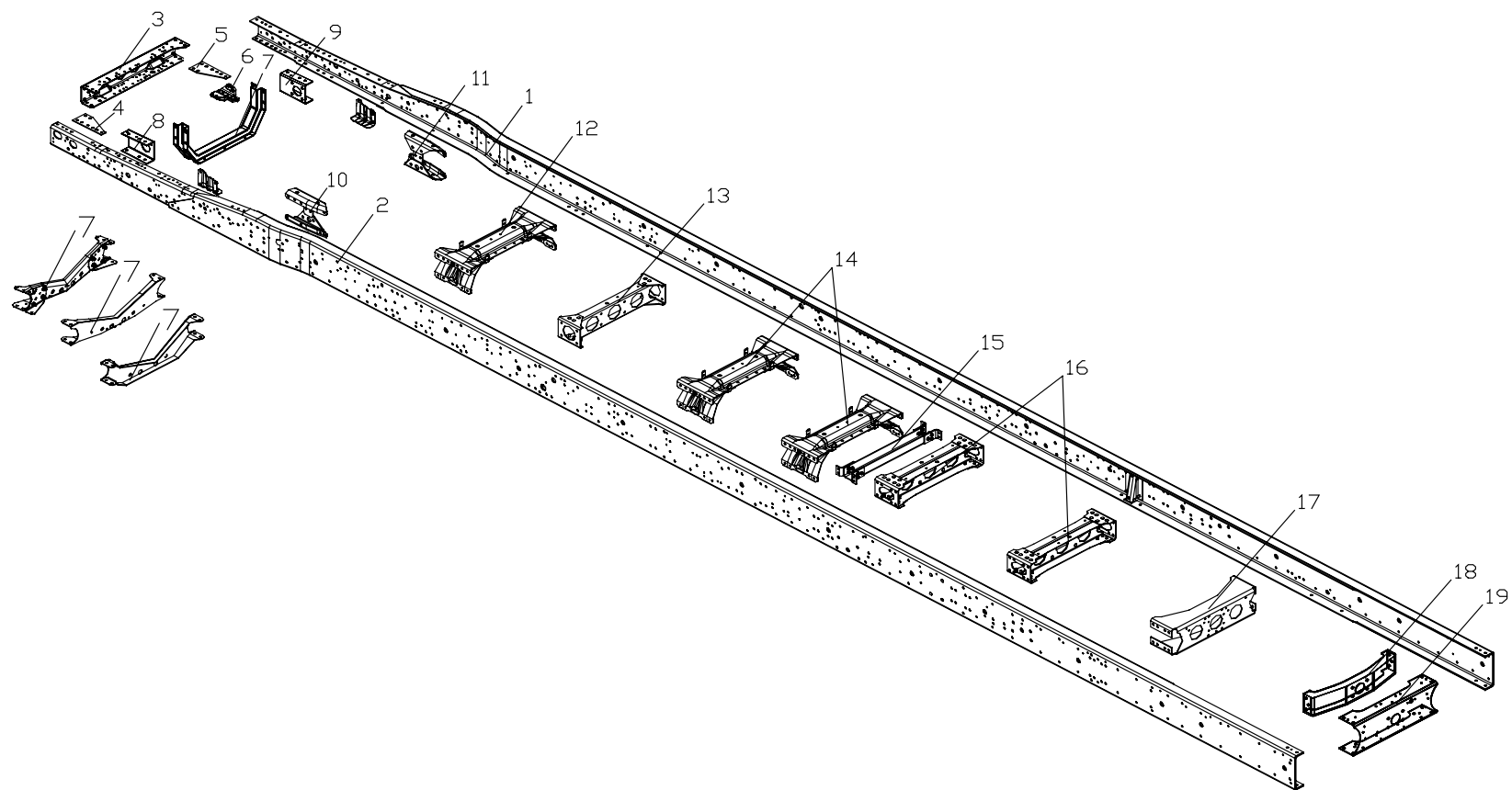
车架系统 / FRAME SYSTEM

28-76

序号 No.	件号 Part No.	数量 Quantity	名称 Name	规格 Specification	适用产品 Products Applied	备注 Remark
15	28AP-01160	1	第六横梁总成 Sixth Cross Member Assembly			
16	29AD-18511	2	平衡轴支撑块 Supporting Block For Balancing Shaft			
17	28AH2D-01150	1	第五横梁总成 Fifth Cross Member Assembly			
18	28ADP-01067	2	大梁侧挡板 Girder Side Baffle Plate			
19	28AP-01180	1	第八横梁总成 Eighth Cross Member Assembly			
20	28ADQ-06021	1	加强梁 Reinforced Beam			
21	28AD-01171	1	第七横梁 Seventh Cross Member			

28AH4DP10 车架爆炸图 / 28AH4DP10 FRAME

28-0



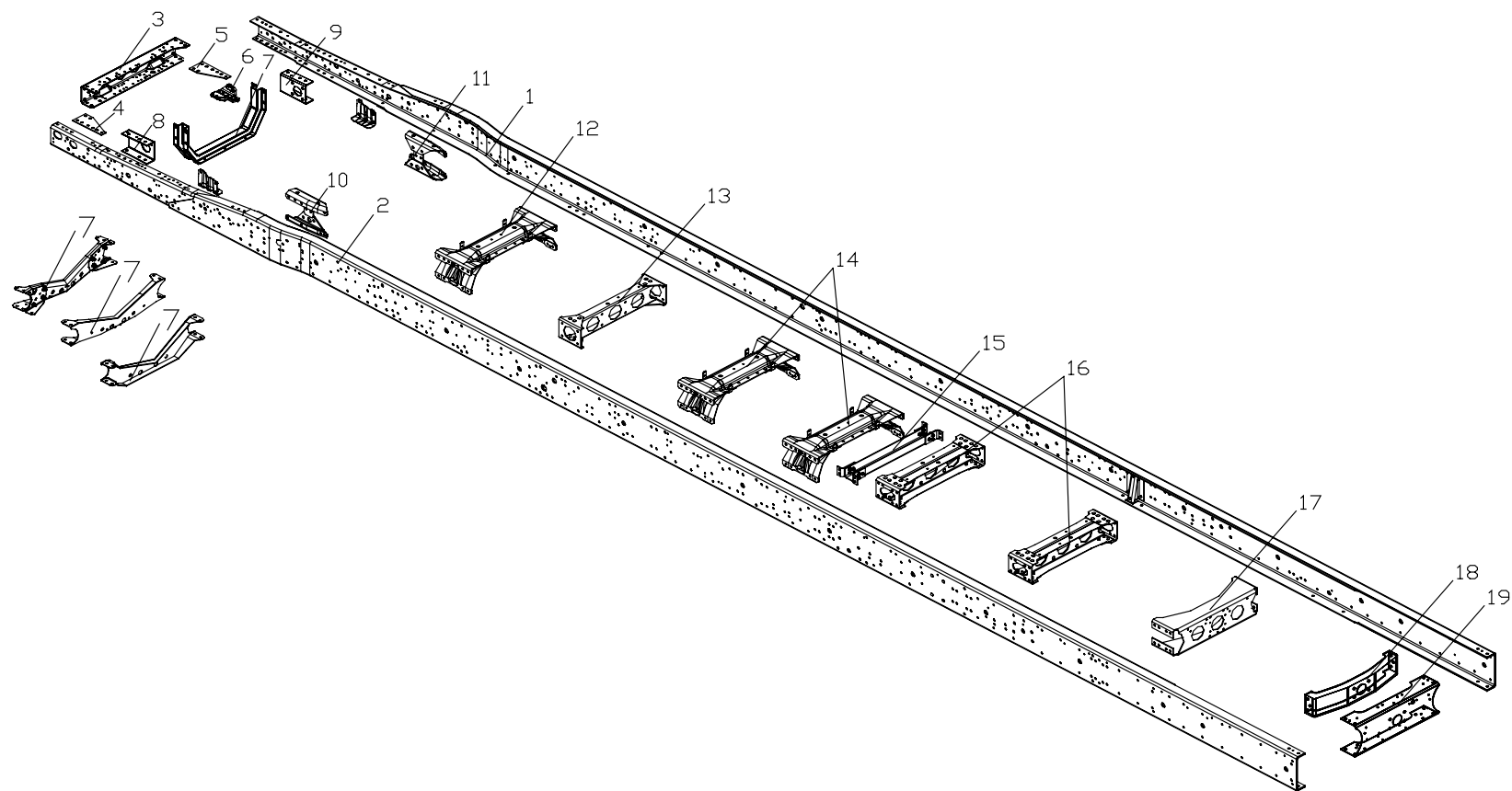
车架系统 / FRAME SYSTEM

28-78

序号 No.	件号 Part No.	数量 Quantity	名称 Name	规格 Specification	适用产品 Products Applied	备注 Remark
	28AHDP10-00610	1	车架总成 Frame Assembly		三菱动力 MITSUBISHI Engine	
	28AH2DP10-00610	1	车架总成 Frame Assembly		斯太尔动力 STEYR Engine	
	28AH3DP10-00610	1	车架总成 Frame Assembly		五十铃动力 ISUZU Engine	
	28AH4DP10-00610	1	车架总成 Frame Assembly		康明斯动力 CUMMINS Engine	
1	28AHDP10-01625	1	左纵梁总成 Side Member Assembly LH		三菱动力 MITSUBISHI Engine	
	28AH2DP10-01625	1	左纵梁总成 Side Member Assembly LH		斯太尔动力 STEYR Engine	
	28AH3DP10-01625	1	左纵梁总成 Side Member Assembly LH		五十铃动力 ISUZU Engine	
	28AH4DP10-01625	1	左纵梁总成 Side Member Assembly LH		康明斯动力 CUMMINS Engine	
2	28AHDP10-01635	1	右纵梁总成 Side Member Assembly RH		三菱动力 MITSUBISHI Engine	
	28AH2DP10-01635	1	右纵梁总成 Side Member Assembly RH		斯太尔动力 STEYR Engine	
	28AH3DP10-01635	1	右纵梁总成 Side Member Assembly RH		五十铃动力 ISUZU Engine	
	28AH4DP10-01635	1	右纵梁总成 Side Member Assembly RH		康明斯动力 CUMMINS Engine	
3	28AD-01110	1	第一横梁总成 First Cross Member Assembly			
4	28A-01114	1	下连接板 - 第一横梁 Lower Connecting Panel-First Cross Member			

28AH4DP10 车架爆炸图 / 28AH4DP10 FRAME

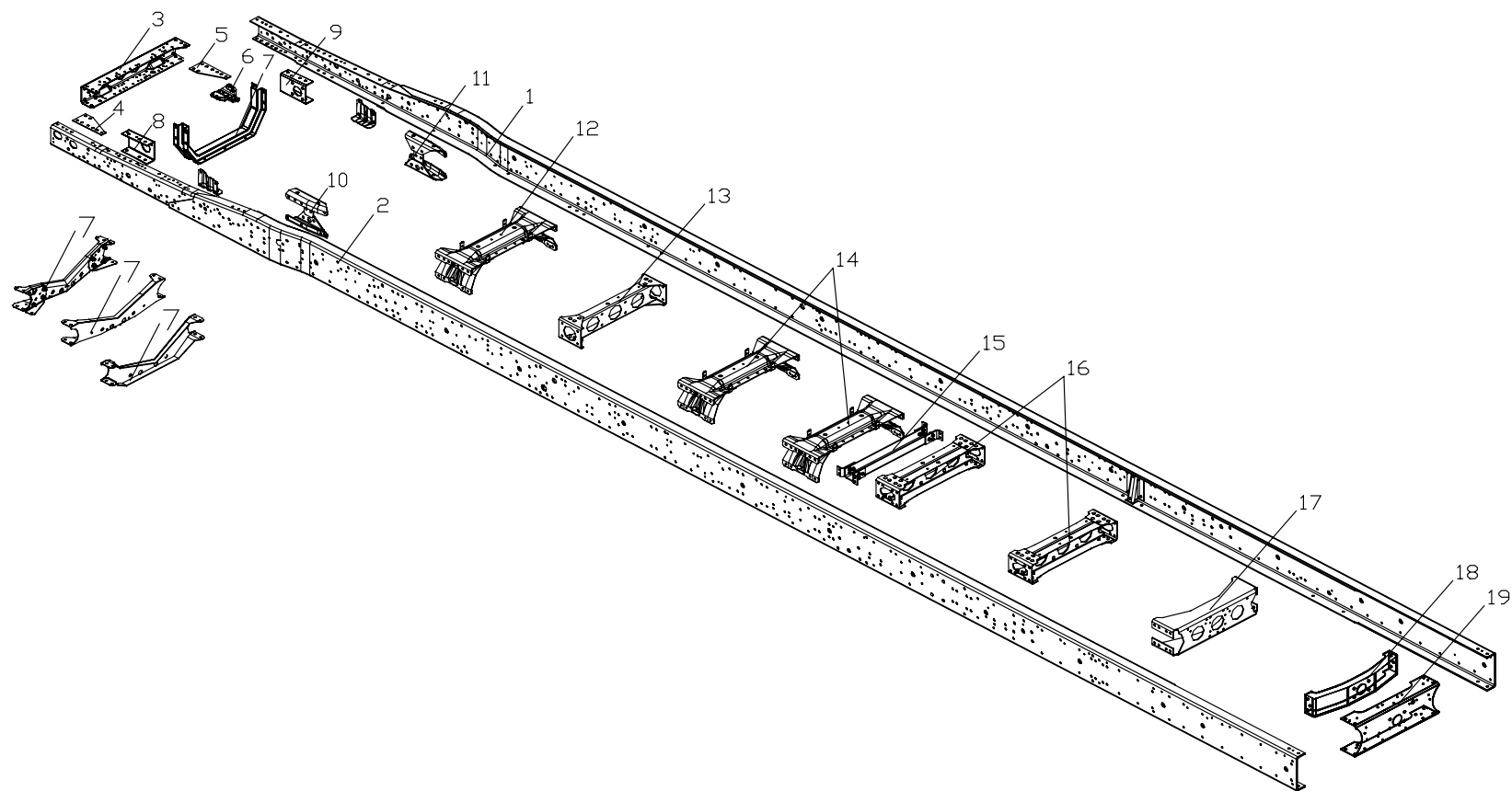
28-0



序号 No.	件号 Part No.	数量 Quantity	名称 Name	规格 Specification	适用产品 Products Applied	备注 Remark
5	28AD-01114	1	右下连接板 - 第一横梁 Right Lower Connecting Panel-First Cross Member			
6	28AD-06012	1	拖钩支架 Towing Hook Bracket			
7	28AD-01120	1	第二横梁总成 Second Cross Member Assembly		三菱动力 MITSUBISHI Engine	
	28A2D-01120	1	第二横梁总成 Second Cross Member Assembly		斯太尔动力 STEYR Engine	
	28A3D-01120	1	第二横梁总成 Second Cross Member Assembly		五十铃动力 ISUZU Engine	
	28A4D-01121	1	第二横梁 Second Cross Member		康明斯动力 CUMMINS Engine	
8	28A4D-01122	1	左支架 - 第二横梁 Left Bracket-Second Cross Member			
9	28A4D-01123	1	右支架 - 第二横梁 Right Bracket-Second Cross Member			
10	28A-01135	1	左支架 - 第三横梁 Left Bracket-Third Cross Member			
11	28A-01230	1	右支架 - 第三横梁 Right Bracket-Third Cross Member			
12	28A-01140	1	第四横梁总成 Fourth Cross Member Assembly			
13	28AP-01150	1	传动轴中间支撑横梁总成 Propeller Shaft Center Support Cross Member Assembly		三菱动力 MITSUBISHI Engine	
	28A4DP-01150	1	传动轴中间支撑横梁总成 Propeller Shaft Center Support Cross Member Assembly		其它动力 Other Engine	
14	28A4DP5-01140	2	第四横梁总成 Fourth Cross Member Assembly			

28AH4DP10 车架爆炸图 / 28AH4DP10 FRAME

28-0



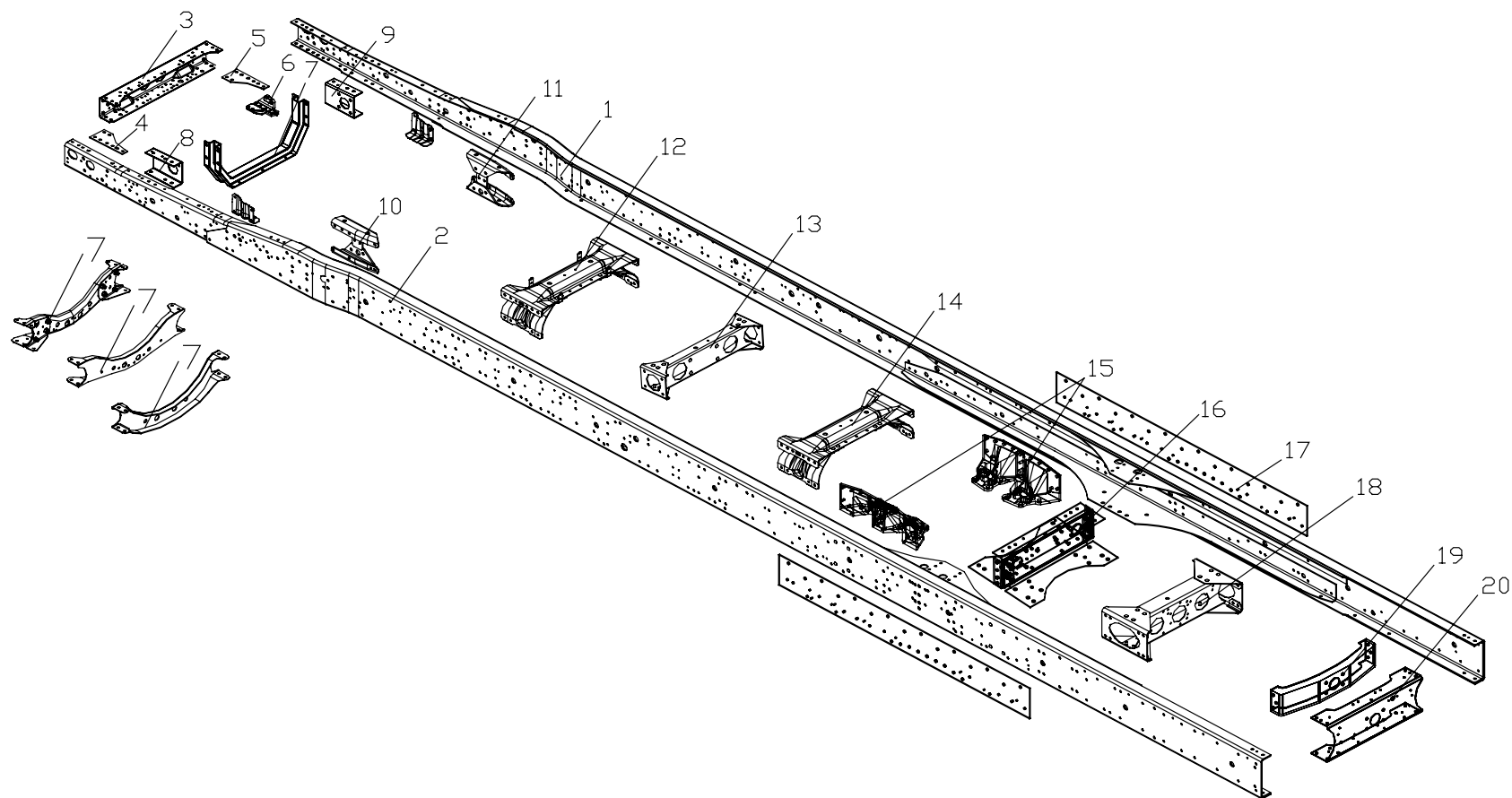
车架系统 / FRAME SYSTEM

28-82

序号 No.	件号 Part No.	数量 Quantity	名称 Name	规格 Specification	适用产品 Products Applied	备注 Remark
15	28A4DP8-01150	1	传动轴中间支撑横梁总成 Propeller Shaft Center Support Cross Member Assembly			
16	28ADP7-01150	2	第五横梁总成 Fifth Cross Member Assembly			
17	28AZ-01161	1	第六横梁 Sixth Cross Member			
18	28ADQ-06021	1	加强梁 Reinforced Beam			
19	28AD-01171	1	第七横梁 Seventh Cross Member			

28AH4DZ4 车架爆炸图 / 28AH4DZ4 FRAME

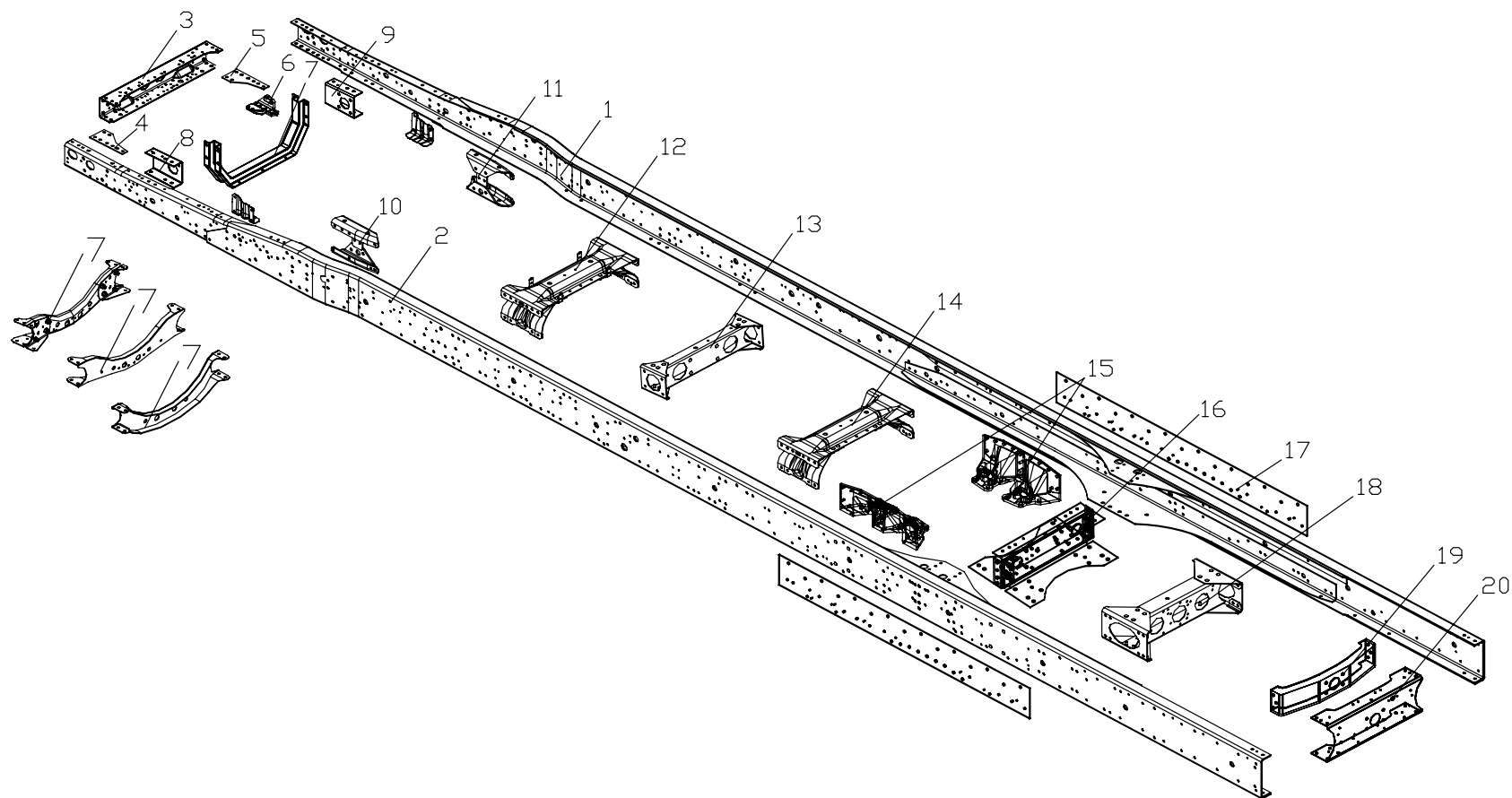
28-P



序号 No.	件号 Part No.	数量 Quantity	名称 Name	规格 Specification	适用产品 Products Applied	备注 Remark
	28AHDZ4-00610	1	车架总成 Frame Assembly		三菱动力 MITSUBISHI Engine	
	28AH2DZ4-00610	1	车架总成 Frame Assembly		斯太尔动力 STEYR Engine	
	28AH3DZ4-00610	1	车架总成 Frame Assembly		五十铃动力 ISUZU Engine	
	28AH4DZ4-00610	1	车架总成 Frame Assembly		康明斯动力 CUMMINS Engine	
1	28AHDZ4-01625	1	左纵梁总成 Side Member Assembly LH		三菱动力 MITSUBISHI Engine	
	28AH2DZ4-01625	1	左纵梁总成 Side Member Assembly LH		斯太尔动力 STEYR Engine	
	28AH3DZ4-01625	1	左纵梁总成 Side Member Assembly LH		五十铃动力 ISUZU Engine	
	28AH4DZ4-01625	1	左纵梁总成 Side Member Assembly LH		康明斯动力 CUMMINS Engine	
2	28AHDZ4-01635	1	右纵梁总成 Side Member Assembly RH		三菱动力 MITSUBISHI Engine	
	28AH2DZ4-01635	1	右纵梁总成 Side Member Assembly RH		斯太尔动力 STEYR Engine	
	28AH3DZ4-01635	1	右纵梁总成 Side Member Assembly RH		五十铃动力 ISUZU Engine	
	28AH4DZ4-01635	1	右纵梁总成 Side Member Assembly RH		康明斯动力 CUMMINS Engine	
3	28AD-01110	1	第一横梁总成 First Cross Member Assembly			
4	28A-01114	1	下连接板 - 第一横梁 Lower Connecting Panel-First Cross Member			

28AH4DZ4 车架爆炸图 / 28AH4DZ4 FRAME

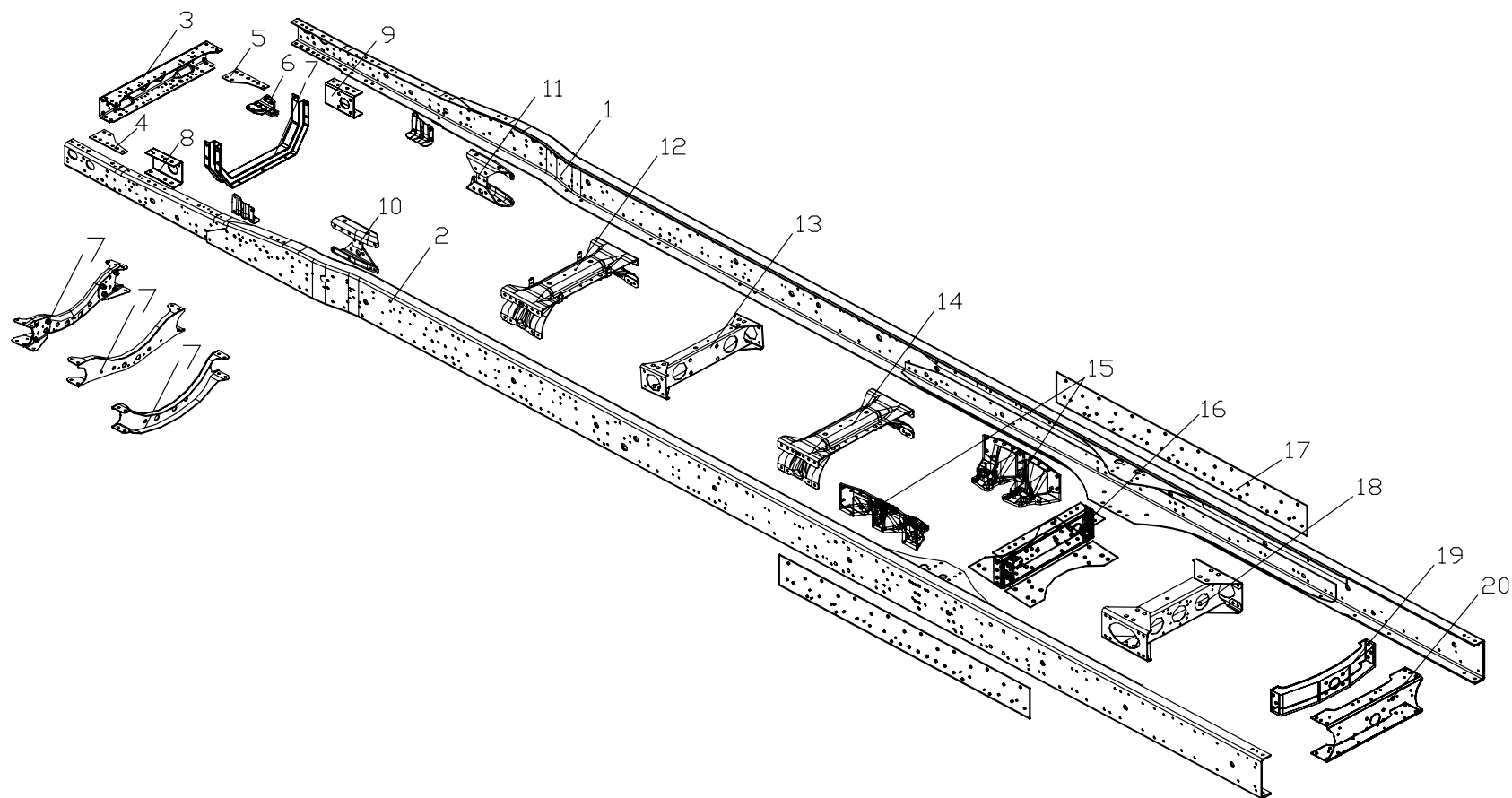
28-P



序号 No.	件号 Part No.	数量 Quantity	名称 Name	规格 Specification	适用产品 Products Applied	备注 Remark
5	28AD-01114	1	右下连接板 - 第一横梁 Right Lower Connecting Panel-First Cross Member			
6	28AD-06012	1	拖钩支架 Towing Hook Bracket			
7	28AD-01120	1	第二横梁总成 Second Cross Member Assembly		三菱动力 MITSUBISHI Engine	
	28A2D-01120	1	第二横梁总成 Second Cross Member Assembly		斯太尔动力 STEYR Engine	
	28A3D-01120	1	第二横梁总成 Second Cross Member Assembly		五十铃动力 ISUZU Engine	
	28A4D-01121	1	第二横梁 Second Cross Member		康明斯动力 CUMMINS Engine	
8	28A4D-01122	1	左支架 - 第二横梁 Left Bracket-Second Cross Member			
9	28A4D-01123	1	右支架 - 第二横梁 Right Bracket-Second Cross Member			
10	28A-01135	1	左支架 - 第三横梁 Left Bracket-Third Cross Member			
11	28A-01230	1	右支架 - 第三横梁 Right Bracket-Third Cross Member			
12	28A-01140	1	第四横梁总成 Fourth Cross Member Assembly			
13	28AP-01150	1	传动轴中间支撑横梁总成 Propeller Shaft Center Support Cross Member Assembly		三菱动力 MITSUBISHI Engine	
	28A4DP-01150	1	传动轴中间支撑横梁总成 Propeller Shaft Center Support Cross Member Assembly		其它动力 Other Engine	
14	28AP-01160	1	第六横梁总成 Sixth Cross Member Assembly			

28AH4DZ4 车架爆炸图 / 28AH4DZ4 FRAME

28-P



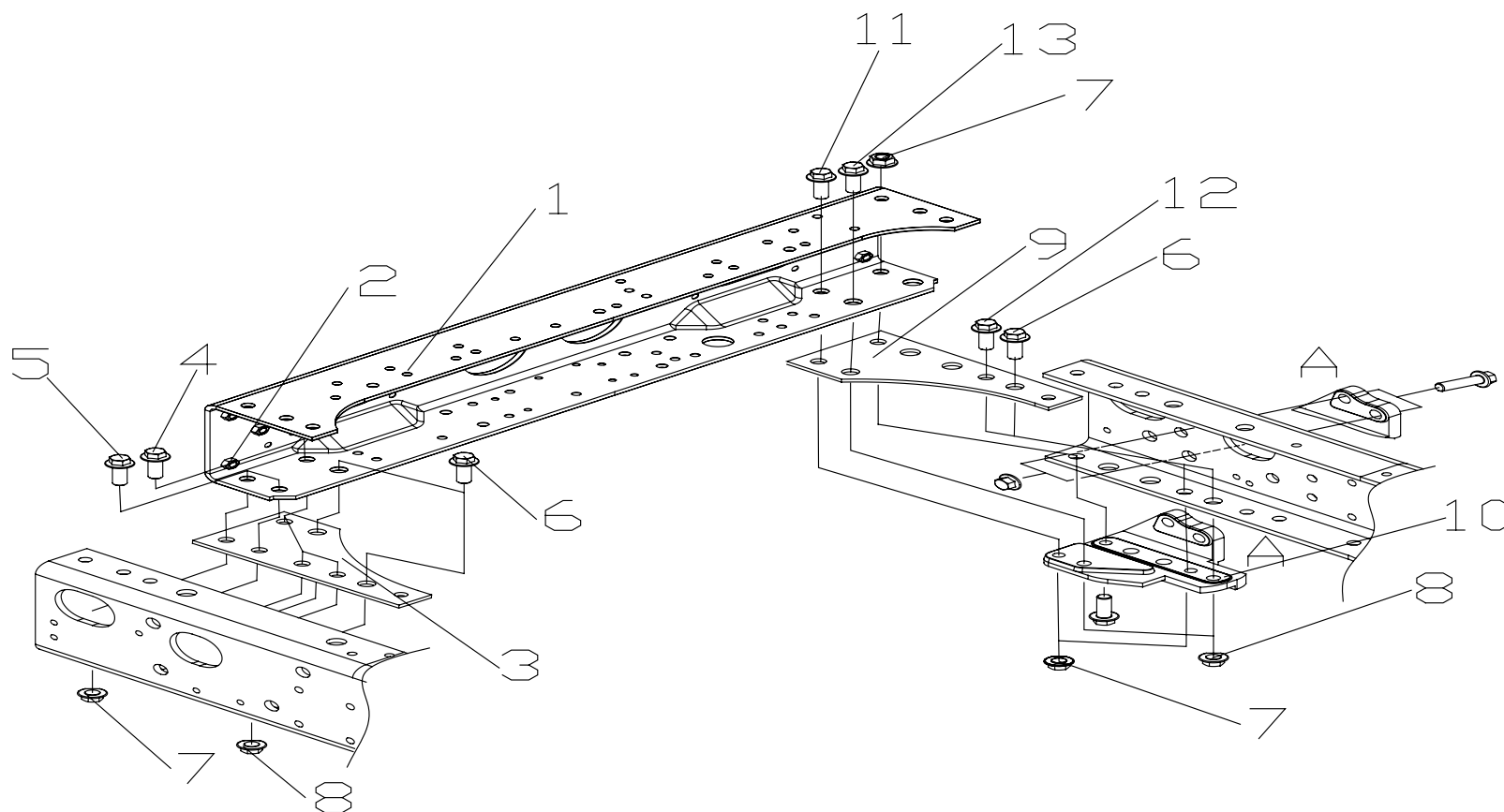
车架系统 / FRAME SYSTEM

28-88

序号 No.	件号 Part No.	数量 Quantity	名称 Name	规格 Specification	适用产品 Products Applied	备注 Remark
15	29AD-18511	2	平衡轴支撑块 Supporting Block For Balancing Shaft			
16	28AH2D-01150	1	第五横梁总成 Fifth Cross Member Assembly			
17	28ADP-01067	2	大梁侧挡板 Girder Side Baffle Plate			
18	28AP-01180	1	第八横梁总成 Eighth Cross Member Assembly			
19	28ADQ-06021	1	加强梁 Reinforced Beam			
20	28AD-01171	1	第七横梁 Seventh Cross Member			

第一横梁总成装配图 / FIRST CROSS MEMBER ASSEMBLY

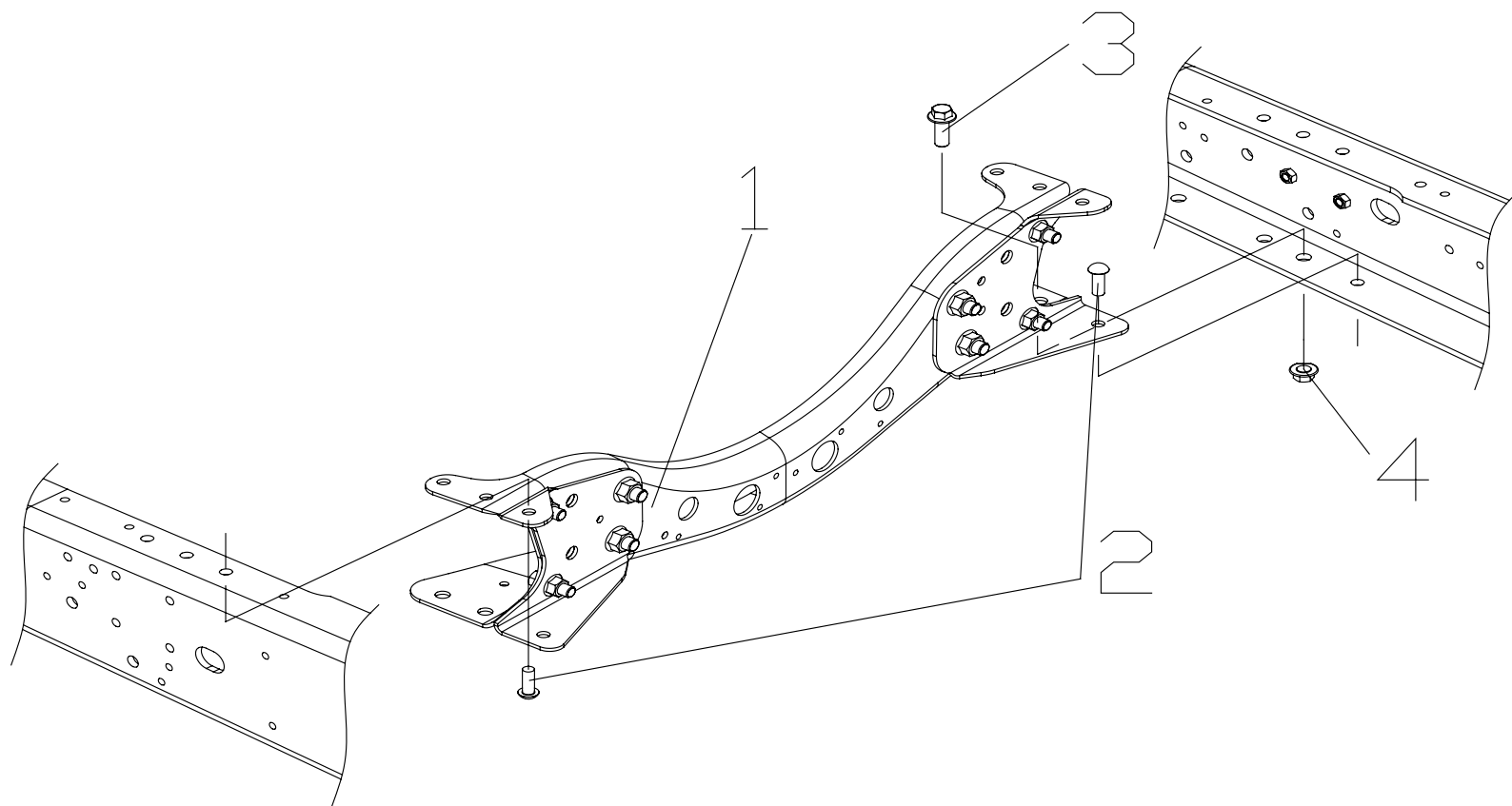
28-Q



序号 No.	件号 Part No.	数量 Quantity	名称 Name	规格 Specification	适用产品 Products Applied	备注 Remark
1	28AD-01111	1	第一横梁 First Cross Member			
2	Q341B10T13F2	6	I 型六角螺母 (M10×1) Hexagon Full Nut(M10×1)			
3	28A-01114	1	下连接板 - 第一横梁 Lower Connecting Panel-First Cross Member			
4	HQ1841435TF2	3	六角法兰面螺栓 (M14×1.5) Hexagon Bolt With Flange(M14×1.5)			
5	HQ1841445TF2	2	六角法兰面螺栓 (M14×1.5) Hexagon Bolt With Flange(M14×1.5)			
6	HQ1841635TF2	3	六角法兰面螺栓 (M16×1.5) Hexagon Bolt With Flange(M16×1.5)			
7	HQ320B14T13F2	8	六角法兰面螺母 (M14×1.5) Hexagon Nut With Flange(M14×1.5)			
8	HQ320B16T13F2	4	六角法兰面螺母 (M16×1.5) Hexagon Nut With Flange(M16×1.5)			
9	28AD-01114	1	右下连接板 - 第一横梁 Right Lower Connecting Panel-First Cross Member			
10	28AD-06012	1	拖钩支架 Towing Hook Bracket			
11	HQ1841450TF2	2	六角法兰面螺栓 (M14×1.5) Hexagon Bolt With Flange (M14×1.5)			
12	HQ1841455TF2	1	六角法兰面螺栓 (M14×1.5) Hexagon Bolt With Flange(M14×1.5)			
13	HQ1841650TF2	1	六角法兰面螺栓 (M16×1.5) Hexagon Bolt With Flange(M16×1.5)			

28AD 第二横梁总成装配图 / 28AD SECOND CROSS MEMBER ASSEMBLY

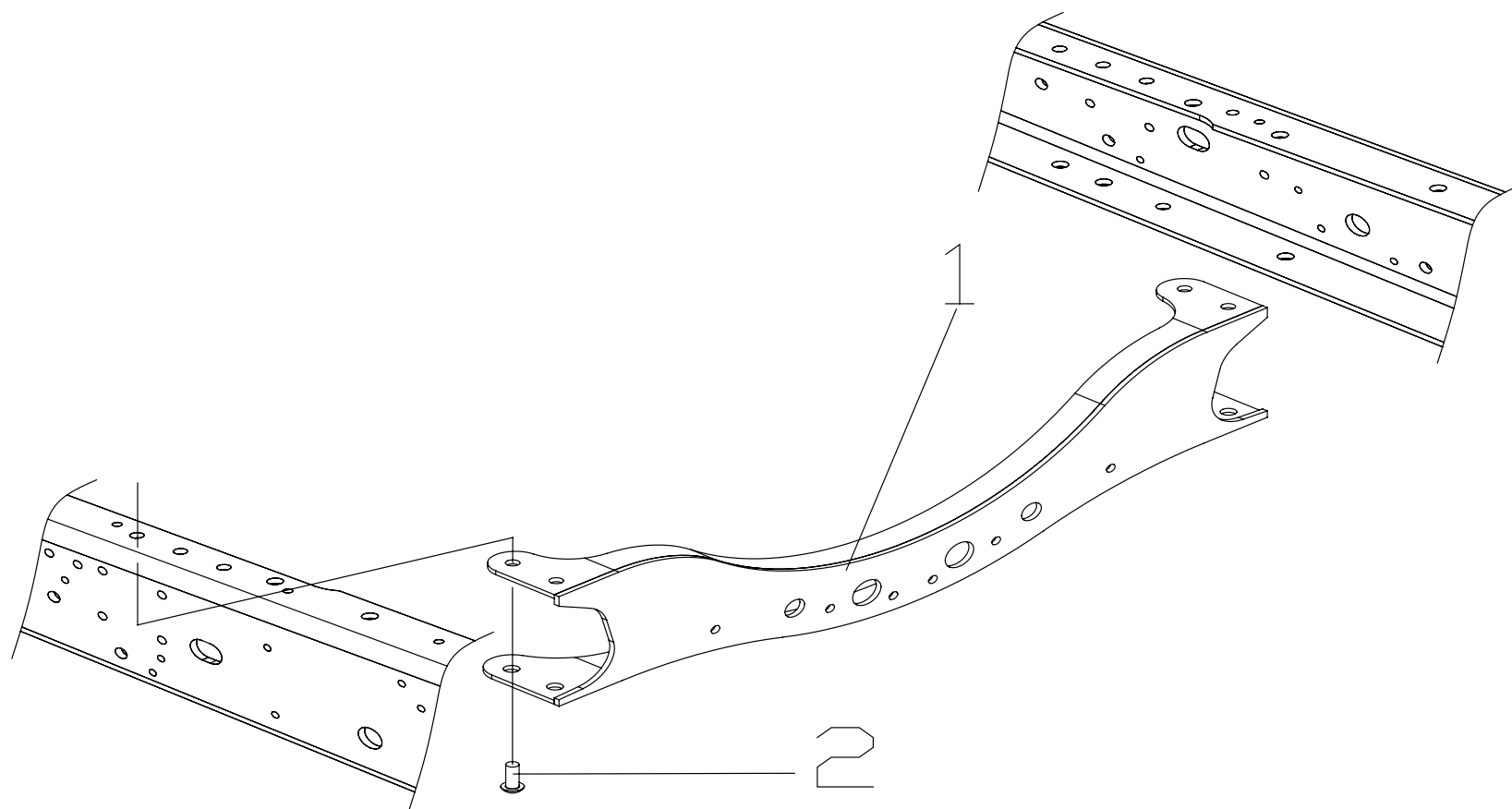
28-R



序号 No.	件号 Part No.	数量 Quantity	名称 Name	规格 Specification	适用产品 Products Applied	备注 Remark
1	28AD-01120	1	第二横梁总成 Second Cross Member Assembly		三菱动力 MITSUBISHI Engine	
2	Q4501234	6	半圆头铆钉 Half-Round Head Rivet			
3	HQ1841435TF2	4	六角法兰面螺栓 (M14×1.5) Hexagon Bolt With Flange(M14×1.5)			
4	HQ320B14T13F2	4	六角法兰面螺母 (M14×1.5) Hexagon Nut With Flange(M14×1.5)			

28A2D 第二横梁总成装配图 / 28A2D SECOND CROSS MEMBER ASSEMBLY

28-S



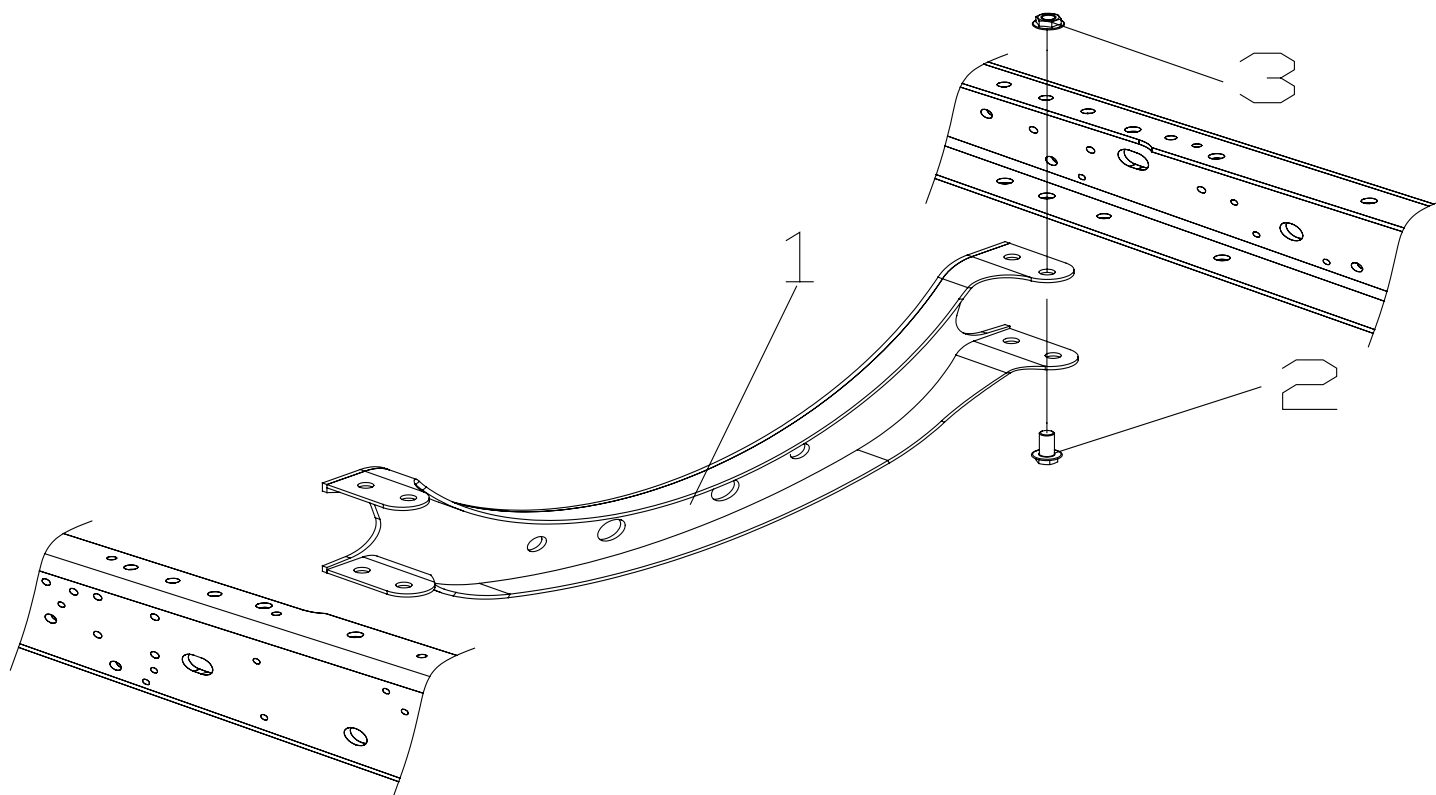
车架系统 / FRAME SYSTEM

28-94

序号 No.	件号 Part No.	数量 Quantity	名称 Name	规格 Specification	适用产品 Products Applied	备注 Remark
1	28A2D-01120	1	第二横梁总成 Second Cross Member Assembly		斯太尔动力 STEYR Engine	
2	Q4501236	8	半圆头铆钉 Half-Round Head Rivet			

28A3D 第二横梁总成装配图 / 28A3D SECONG CROSS MEMBER ASSEMBLY

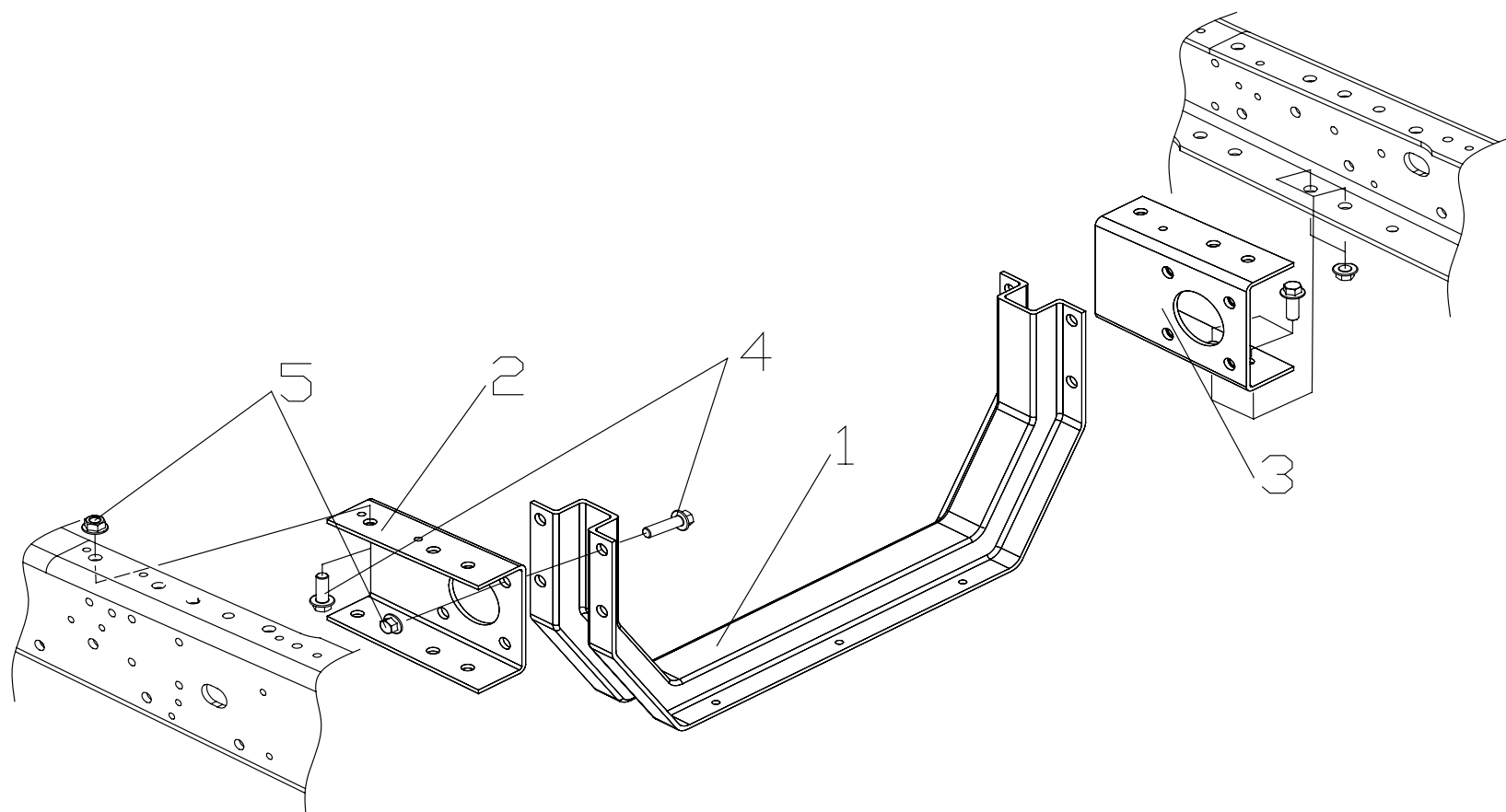
28-T



序号 No.	件号 Part No.	数量 Quantity	名称 Name	规格 Specification	适用产品 Products Applied	备注 Remark
1	28A3D-01120	1	第二横梁总成 Second Cross Member Assembly		五十铃动力 ISUZU Engine	
2	HQ1841435TF2	8	六角法兰面螺栓 (M14×1.5) Hexagon Bolt With Flange(M14×1.5)			
3	HQ320B14T13F2	8	六角法兰面螺母 (M14×1.5) Hexagon Nut With Flange(M14×1.5)			

28A4D 第二横梁装配图 / 28A4D SECOND CROSS MEMBER

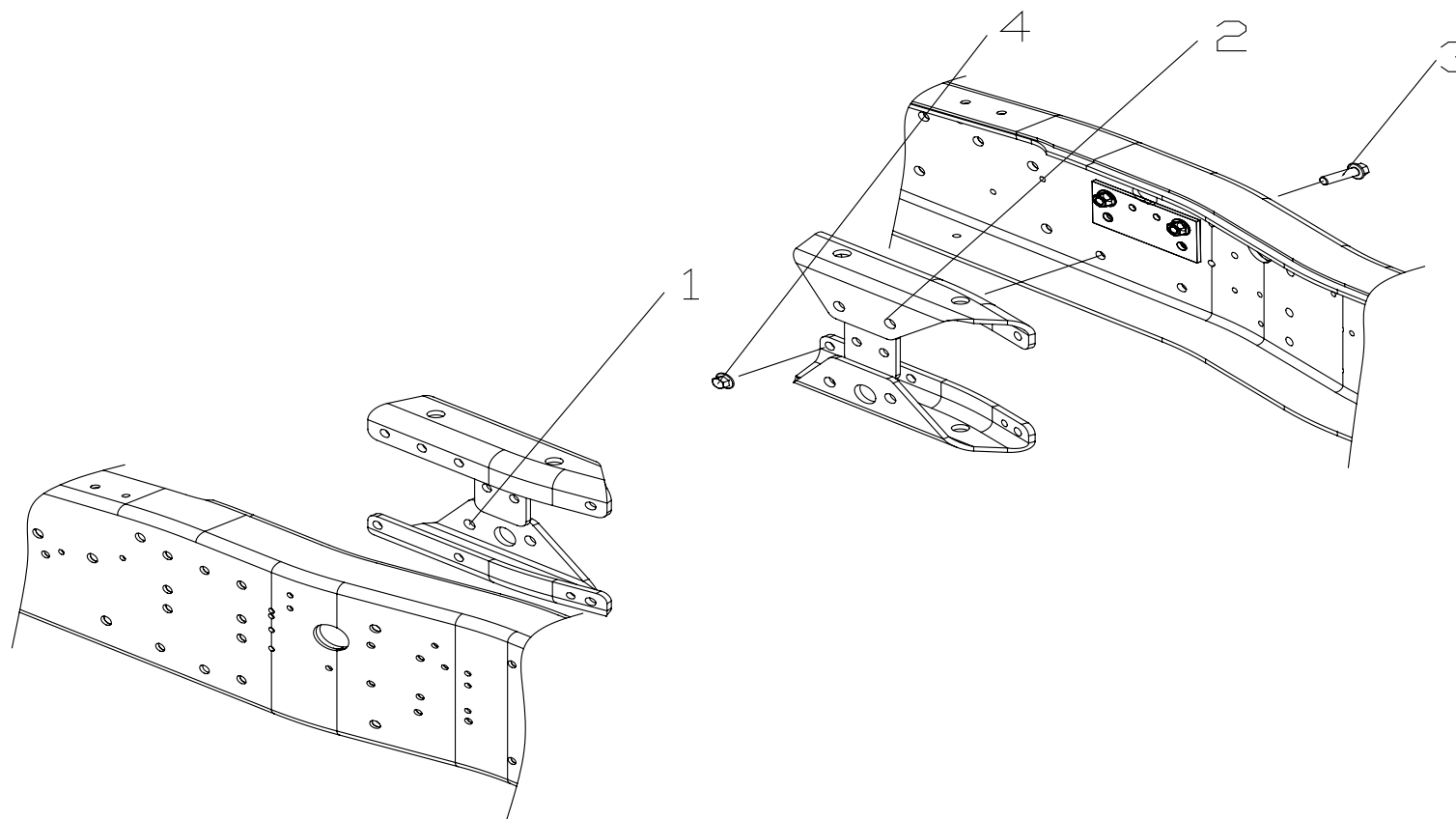
28-U



序号 No.	件号 Part No.	数量 Quantity	名称 Name	规格 Specification	适用产品 Products Applied	备注 Remark
1	28A4D-01121	1	第二横梁 Second Cross Member		康明斯、日野动力 CUMMINS,HINO Engine	
2	28A4D-01122	1	左支架 - 第二横梁 Left Bracket-Second Cross Member			
3	28A4D-01123	1	右支架 - 第二横梁 Right Bracket-Second Cross Member			
4	HQ1841440TF2	16	六角法兰面螺栓 (M14×1.5) Hexagon Bolt With Flange(M14×1.5)			
5	HQ320B14T13F2	16	六角法兰面螺母 (M14×1.5) Hexagon Nut With Flange(M14×1.5)			

左右支架总成—第三横梁装配图
LEFT AND RIGHT BRACKET ASSEMBLY-THIRD CROSS MEMBER

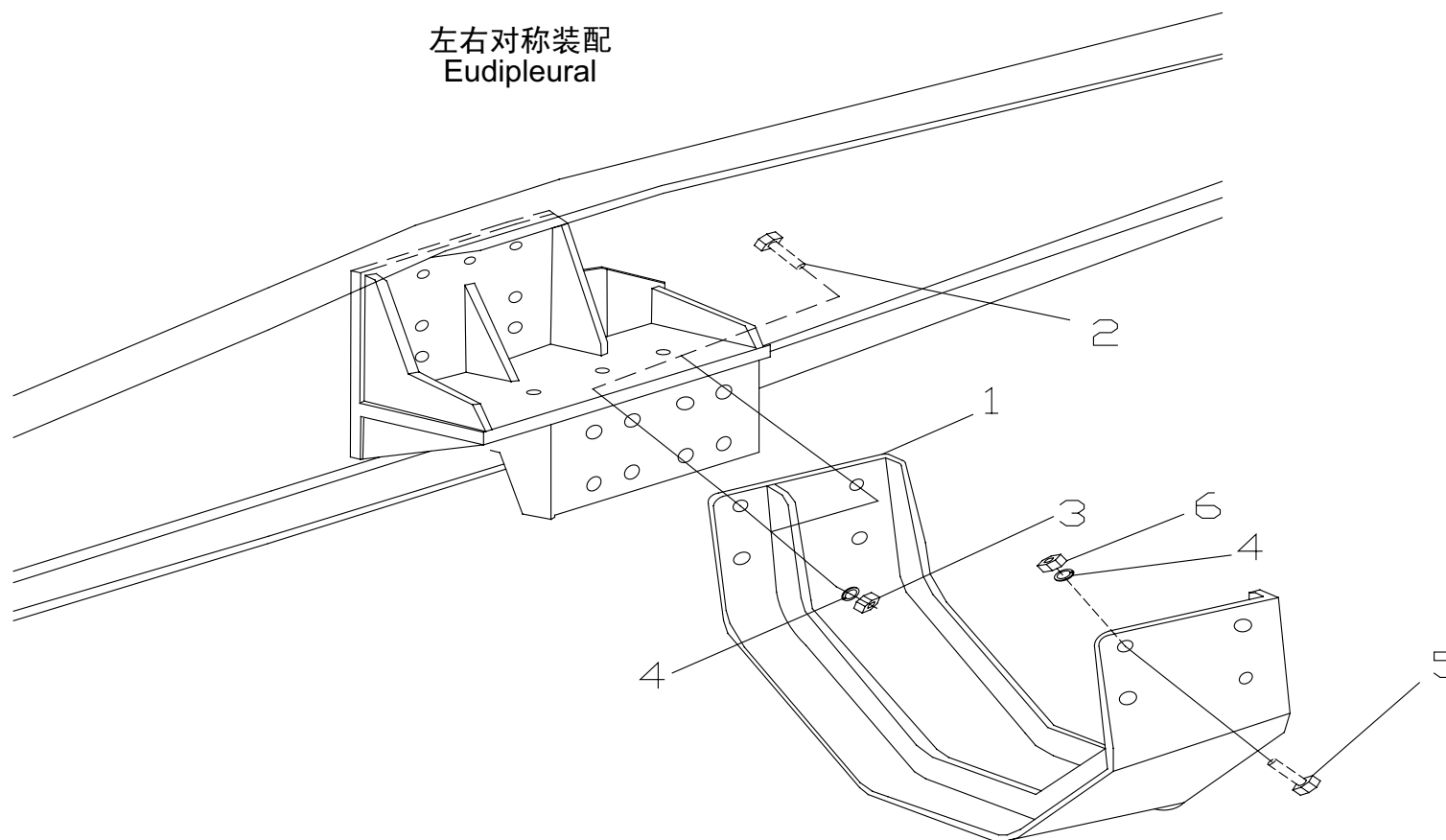
28-V



序号 No.	件号 Part No.	数量 Quantity	名称 Name	规格 Specification	适用产品 Products Applied	备注 Remark
1	28A-01135	1	左支架总成 - 第三横梁 Left Bracket Assembly-Third Cross Member			
2	28A-01230	1	右支架总成 - 第三横梁 Right Bracket Assembly-Third Cross Member			
3	HQ1841445TF2	8	六角法兰面螺栓 (M14×1.5) Hexagon Bolt With Flange(M14×1.5)			
4	HQ320B14T13F2	8	六角法兰面螺母 (M14×1.5) Hexagon Nut With Flange(M14×1.5)			

第三横梁总成装配图 / THIRD CROSS MEMBER ASSEMBLY

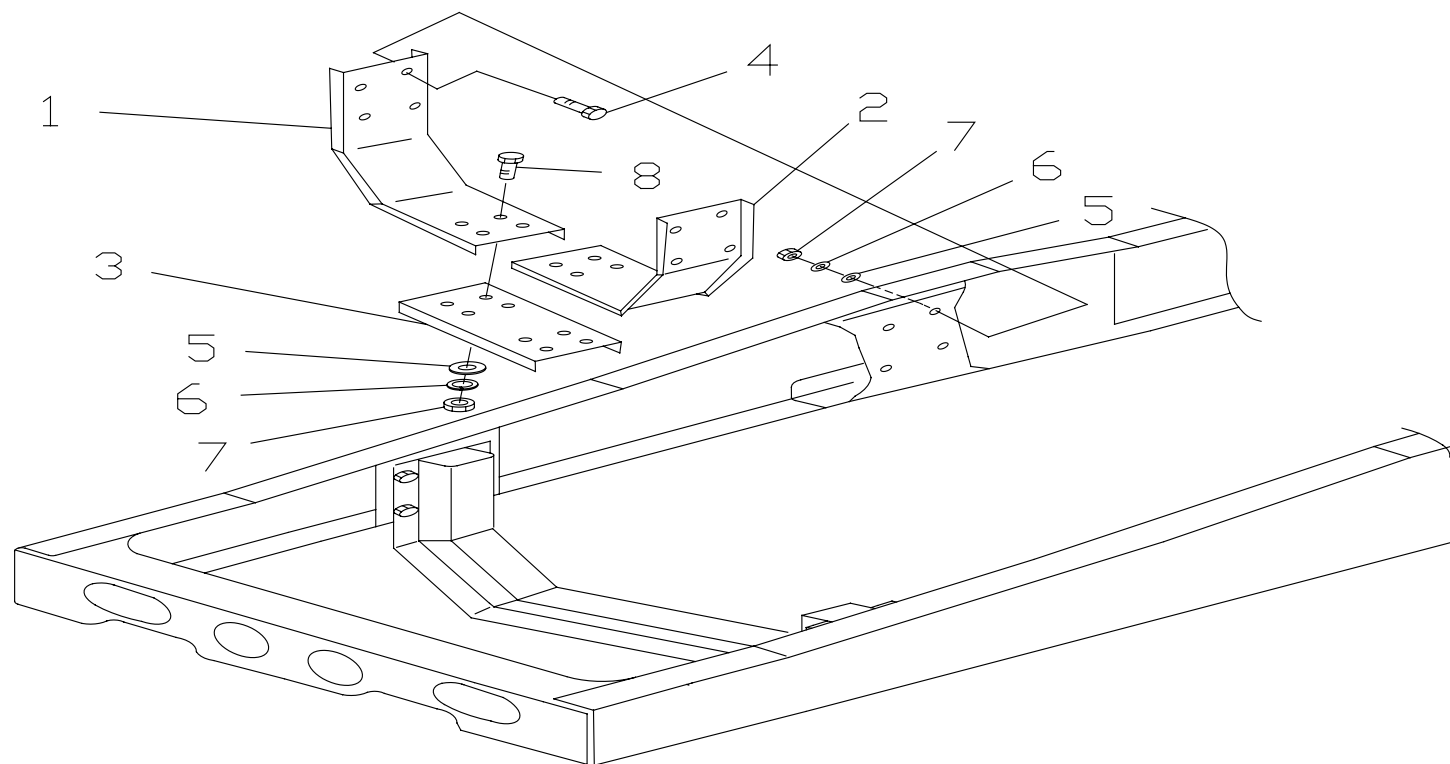
28-W

左右对称装配
Eudipleural

序号 No.	件号 Part No.	数量 Quantity	名称 Name	规格 Specification	适用产品 Products Applied	备注 Remark
1	28A2DQ-01130	1	第三横梁总成 Third Cross Member Assembly		潍柴 WD615 牵引车系列 WEICHAI WD615 Tractor Series	
	28A2D-01130	1	第三横梁总成 Third Cross Member Assembly		潍柴 WD615 搅拌车系列 WEICHAI WD615 Mixer Series	
	28A22DQ-01130	1	第三横梁总成 Third Cross Member Assembly		重庆康明斯系列车型 CHONGQING CUMMINS Series Model	
2	Q150B1640TF2		六角头螺栓 Hexagon Head Bolt			
3	Q340B16T13F2		I 型六角螺母 Hexagon Full Nut			
4	Q40516		重型弹簧垫圈 Heavy Spring Washer			
5	Q150B1635TF2		六角头螺栓 Hexagon Head Bolt			
6	Q350B16T13F2		六角头薄螺母 Hexagon Thin Nut			

第三横梁左右总成装配图 / THIRD CROSS MEMBER LEFT AND RIGHT ASSEMBLY

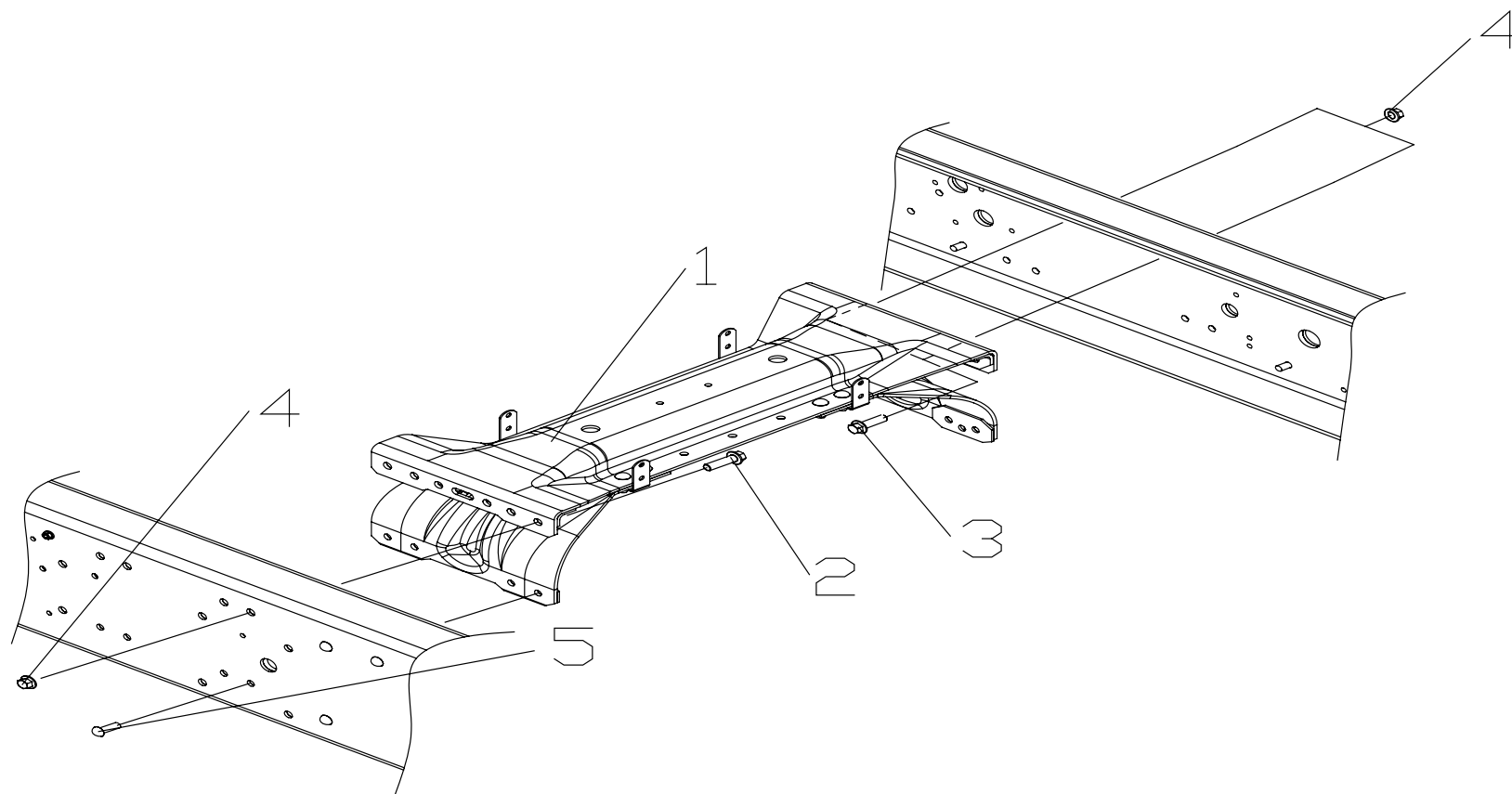
28-X

第三横梁
THIRD CROSS MEMBER

序号 No.	件号 Part No.	数量 Quantity	名称 Name	规格 Specification	适用产品 Products Applied	备注 Remark
1	28A4D-01135	1	第三横梁右总成 Third Cross Member Assembly RH		所有东风康明斯发动机 All DONGFENG CUMMINS Engines	
2	28A4D-01130	1	第三横梁左总成 Third Cross Member Assembly LH		C9-350HP 发动机系列车型 C9-350HP Engine Series Model	
3	28A4D-01139	1	连接板 III - 第三横梁 Connecting Panel III -Third Cross Member			
4	Q151B1650TF2	8	六角头螺栓 Hexagon Head Bolt			
5	Q40116	16	平垫圈 Plain Washer			
6	Q40516	16	弹簧垫圈 Spring Washer			
7	Q341B16T13F2	16	I 型六角螺母 Hexagon Full Nut			
8	Q151B1640TF2	8	六角头螺栓 Hexagon Head Bolt			

第四横梁总成装配图 / FOURTH CROSS MEMBER ASSEMBLY

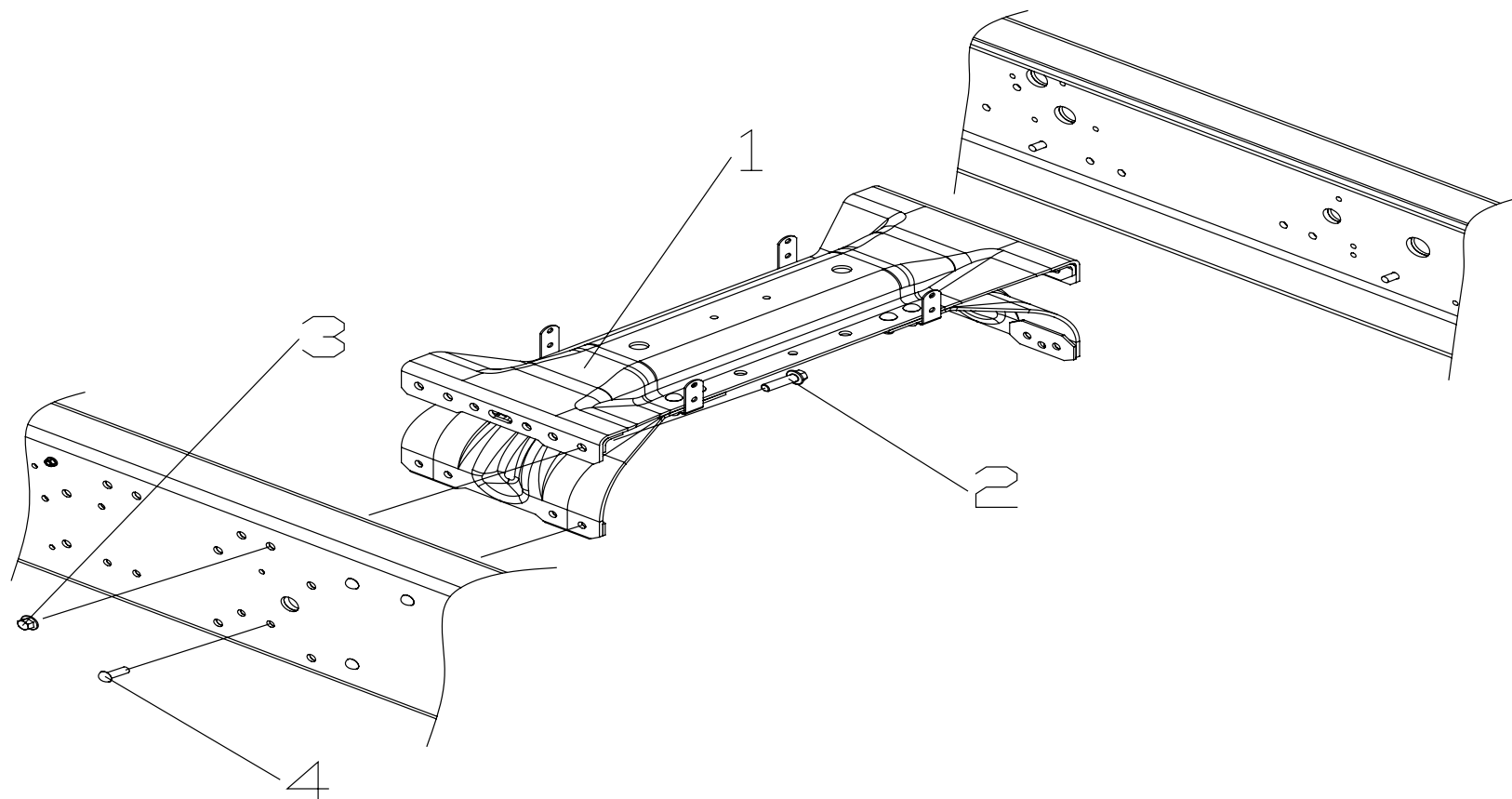
28-Y



序号 No.	件号 Part No.	数量 Quantity	名称 Name	规格 Specification	适用产品 Products Applied	备注 Remark
1	28A-01140	1	第四横梁总成 Fourth Cross Member Assembly			
2	HQ1841445TF2	4/2	六角法兰面螺栓 (M14×1.5) Hexagon Bolt With Flange (M14×1.5)			左 / 右 L/R
3	HQ1841450TF2	2	六角法兰面螺栓 (M14×1.5) Hexagon Bolt With Flange (M14×1.5)			
4	HQ320B14T13F2	8	六角法兰面螺母 (M14×1.5) Hexagon Nut With Flange(M14×1.5)			
5	Q4501246	4/2	半圆头铆钉 Half-Round Head Rivet			左 / 右 L/R

28A4DP5 第四横梁总成装配图 / 28A4DP5 FOURTH CROSS MEMBER ASSEMBLY

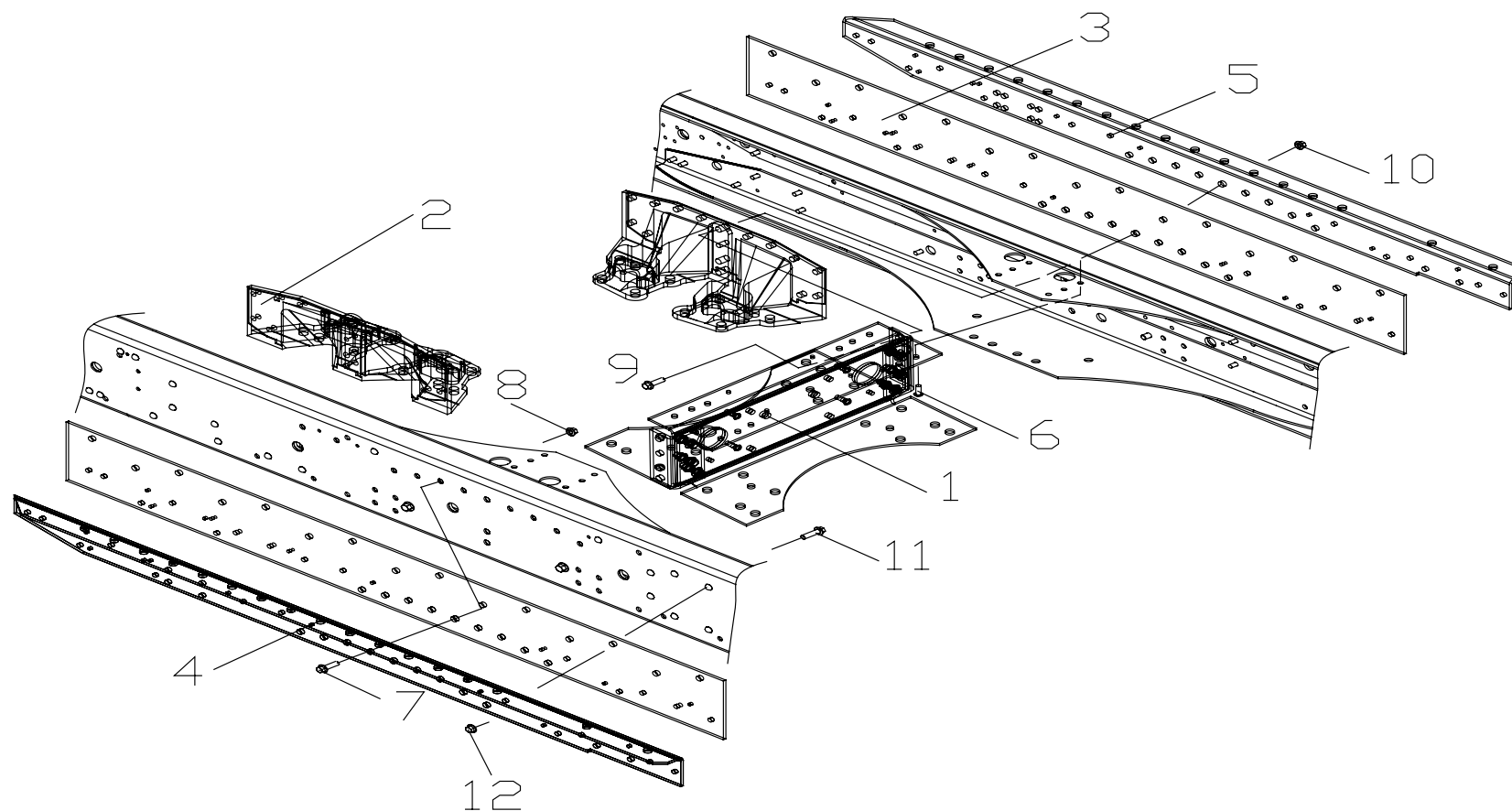
28-Z



序号 No.	件号 Part No.	数量 Quantity	名称 Name	规格 Specification	适用产品 Products Applied	备注 Remark
1	28A4DP5-01140	1	第四横梁总成 Fourth Cross Member Assembly			
2	HQ1841445TF2	8	六角法兰面螺栓 (M14×1.5) Hexagon Bolt With Flange (M14×1.5)			
3	HQ320B14T13F2	8	六角法兰面螺母 (M14×1.5) Hexagon Nut With Flange(M14×1.5)			
4	Q4501246	8	半圆头铆钉 Half-Round Head Rivet			

第五横梁总成装配图 / FIFTH CROSS MEMBER ASSEMBLY

28-AA



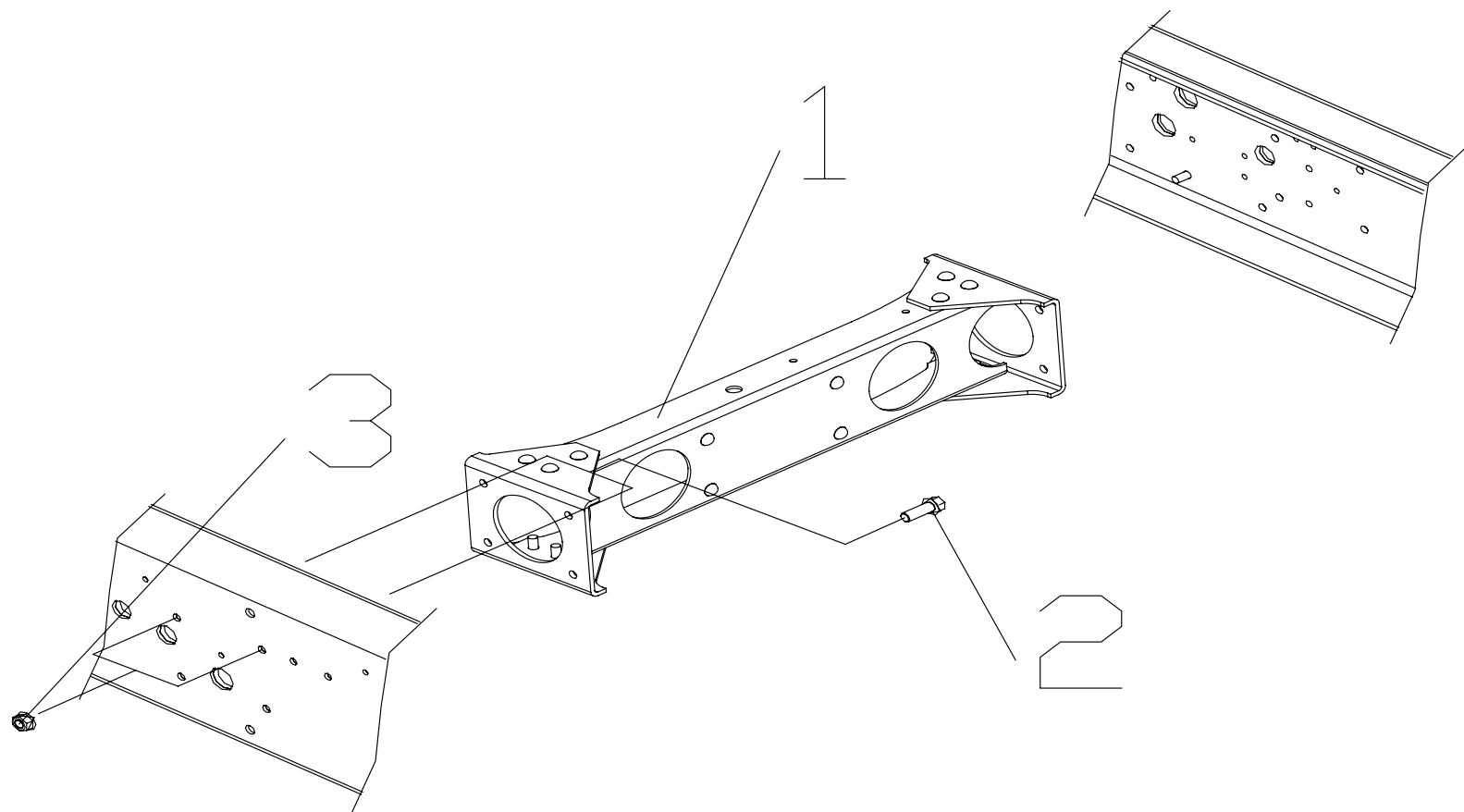
车架系统 / FRAME SYSTEM

28-110

序号 No.	件号 Part No.	数量 Quantity	名称 Name	规格 Specification	适用产品 Products Applied	备注 Remark
1	28AH2D-01150	1	第五横梁总成 Fifth Cross Member Assembly			
2	29AD-18511	2	平衡轴支撑块 Supporting Block For Balancing Shaft			
3	28AD-01067	2	大梁侧挡板 Girder Side Baffle Plate			
	28ADP-01067	2	大梁侧挡板 Girder Side Baffle Plate			
4	28ADQ-01061	1	左连接支架 - 牵引座 Connecting Bracket LH-Fifth Wheel			
5	28ADQ-01062	1	右连接支架 - 牵引座 Connecting Bracket RH-Fifth Wheel			
6	Q4501234	12	半圆头铆钉 Half-Round Head Rivet			
7	HQ1841660TF2	20	六角法兰面螺栓 (M16×1.5) Hexagon Bolt With Flange (M16×1.5)			
8	HQ320B16T13F2	20	六角法兰面螺母 (M16×1.5) Hexagon Nut With Flange(M16×1.5)			
9	HQ1841875TF2	6	六角法兰面螺栓 (M18×1.5) Hexagon Bolt With Flange (M18×1.5)			
10	HQ320B18T13F2	6	六角法兰面螺母 (M18×1.5) Hexagon Nut With Flange(M18×1.5)			
11	HQ1841250TF2	30	六角法兰面螺栓 (M12×1.25) Hexagon Bolt With Flange (M12×1.25)			
12	HQ320B12T13F2	30	六角法兰面螺母 (M12×1.25) Hexagon Nut With Flange(M12×1.25)			

28AP 第五横梁总成装配图 / 28AP FIFTH CROSS MEMBER ASSEMBLY

28-AB



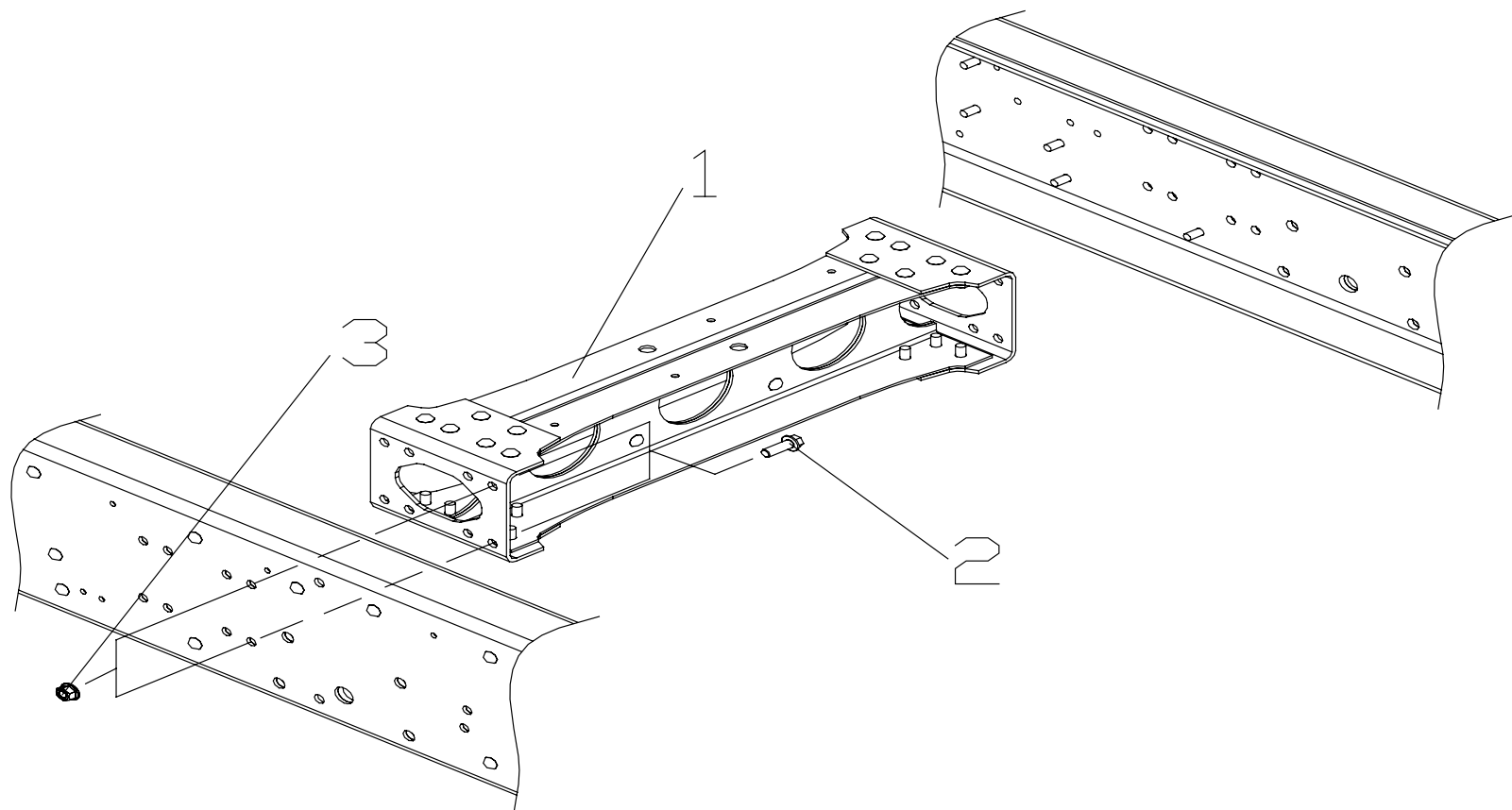
车架系统 / FRAME SYSTEM

28-112

序号 No.	件号 Part No.	数量 Quantity	名称 Name	规格 Specification	适用产品 Products Applied	备注 Remark
1	28AP-01150	1	传动轴中间支撑横梁总成 Propeller Shaft Center Support Cross Member Assembly		三菱动力 MITSUBISHI Engine	
	28A4DP-01150	1	传动轴中间支撑横梁总成 Propeller Shaft Center Support Cross Member Assembly		其它动力 Other Engine	
2	HQ1841240TF2	8	六角法兰面螺栓 (M12×1.25) Hexagon Bolt With Flange(M12×1.25)			
3	HQ320B12T13F2	8	六角法兰面螺母 (M12×1.25) Hexagon Nut With Flange(M12×1.25)			

28ADP7 第五横梁总成装配图 / 28ADP7 FIFTH CROSS MEMBER ASSEMBLY

28-AC



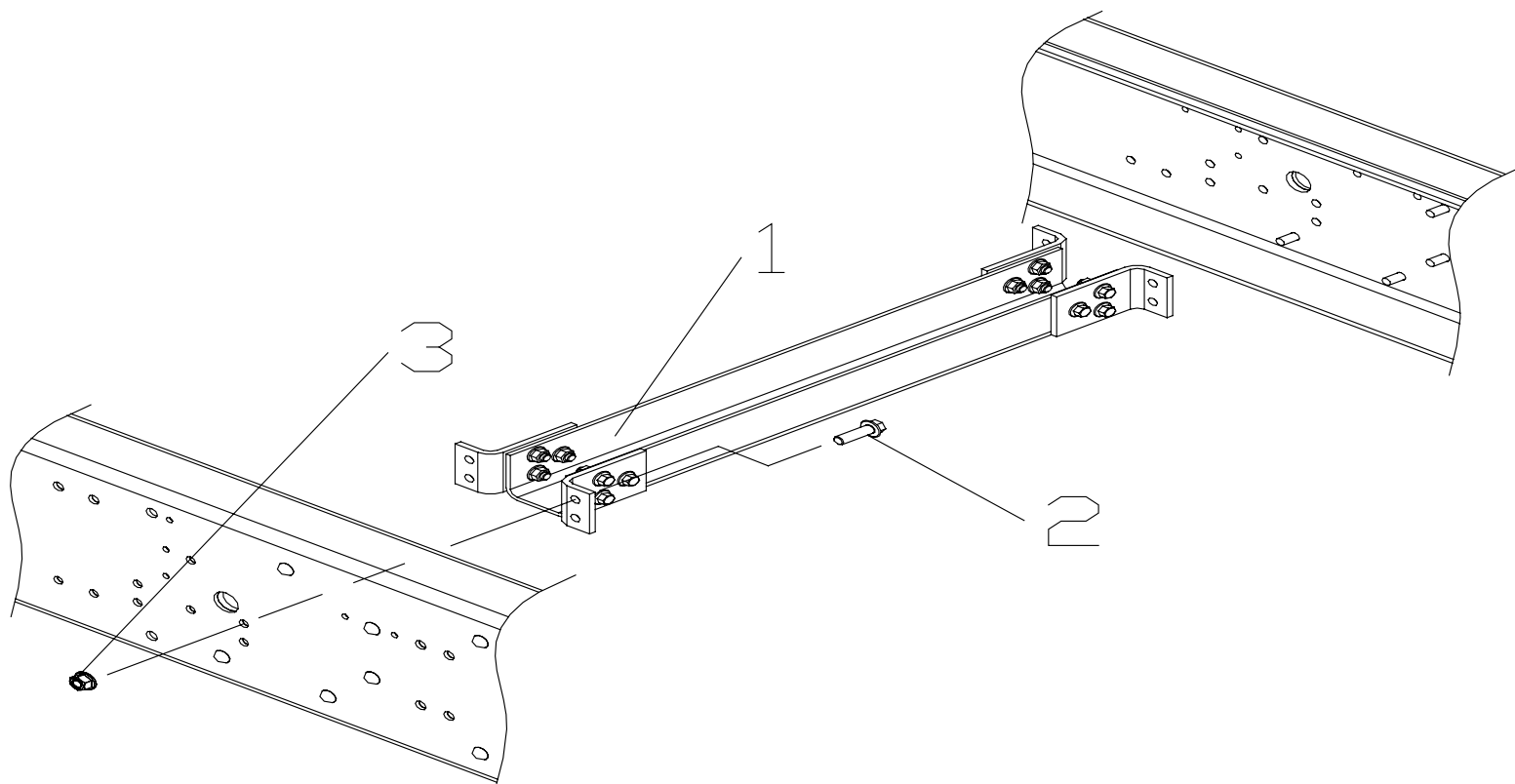
车架系统 / FRAME SYSTEM

28-114

序号 No.	件号 Part No.	数量 Quantity	名称 Name	规格 Specification	适用产品 Products Applied	备注 Remark
1	28ADP7-01150	1	第五横梁总成 Fifth Cross Member Assembly			
2	HQ1841440TF2	16	六角法兰面螺栓 (M14×1.5) Hexagon Bolt With Flange(M14×1.5)			
3	HQ320B14T13F2	16	六角法兰面螺母 (M14×1.5) Hexagon Nut With Flange(M14×1.5)			

28A4DP8 传动轴中间支撑横梁总成装配图
28A4DP8 PROPELLER SHAFT CENTER SUPPORT CROSS MEMBER ASSEMBLY

28-AD



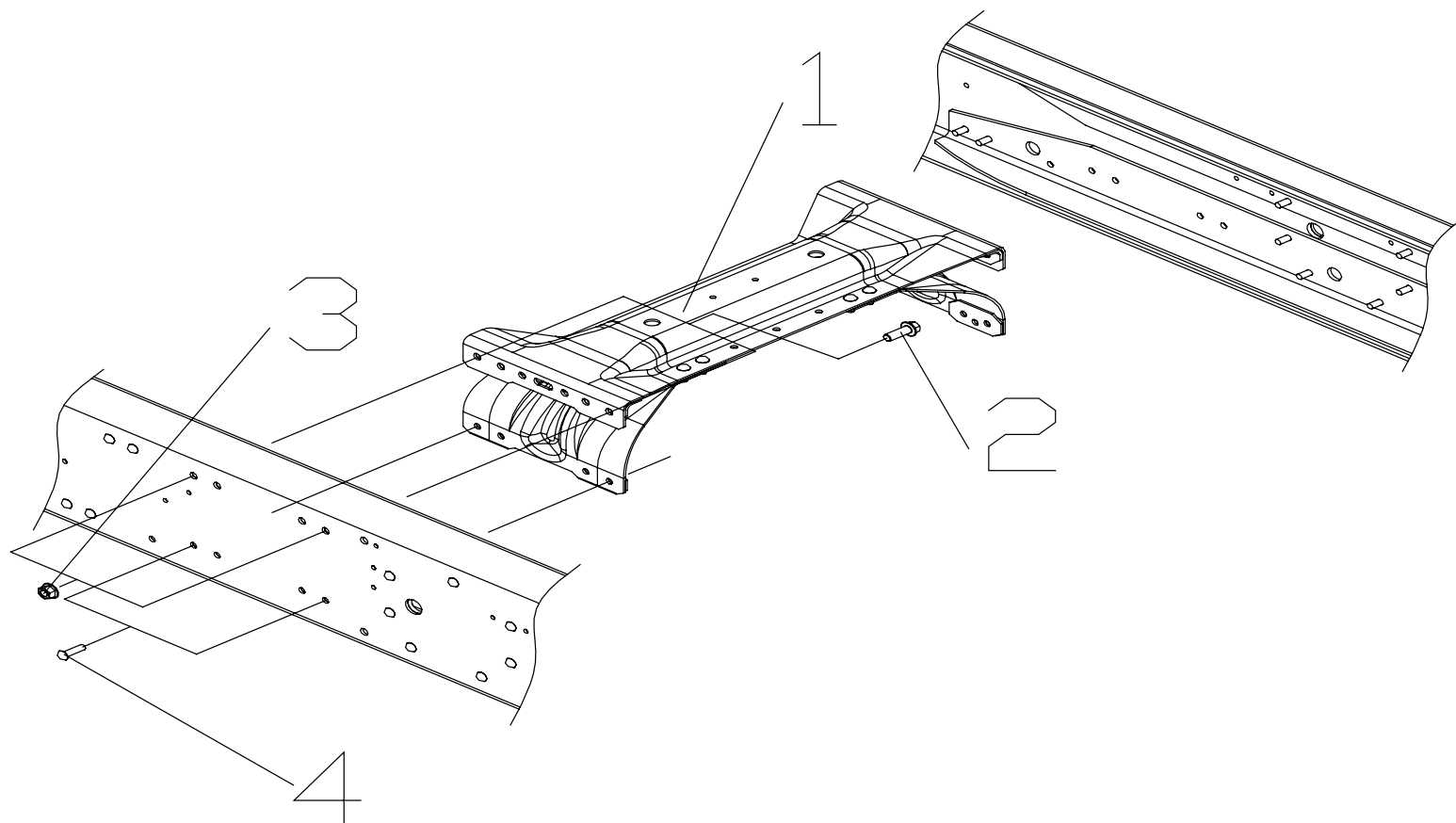
车架系统 / FRAME SYSTEM

28-116

序号 No.	件号 Part No.	数量 Quantity	名称 Name	规格 Specification	适用产品 Products Applied	备注 Remark
1	28A4DP8-01150	1	传动轴中间支撑横梁总成 Propeller Shaft Center Support Cross Member Assembly			
2	HQ1841245TF2	8	六角法兰面螺栓 (M12×1.25) Hexagon Bolt With Flange(M12×1.25)			
3	HQ320B12T13F2	8	六角法兰面螺母 (M12×1.25) Hexagon Nut With Flange(M12×1.25)			

28AP 第六横梁总成装配图 / 28AP SIXTH CROSS MEMBER ASSEMBLY

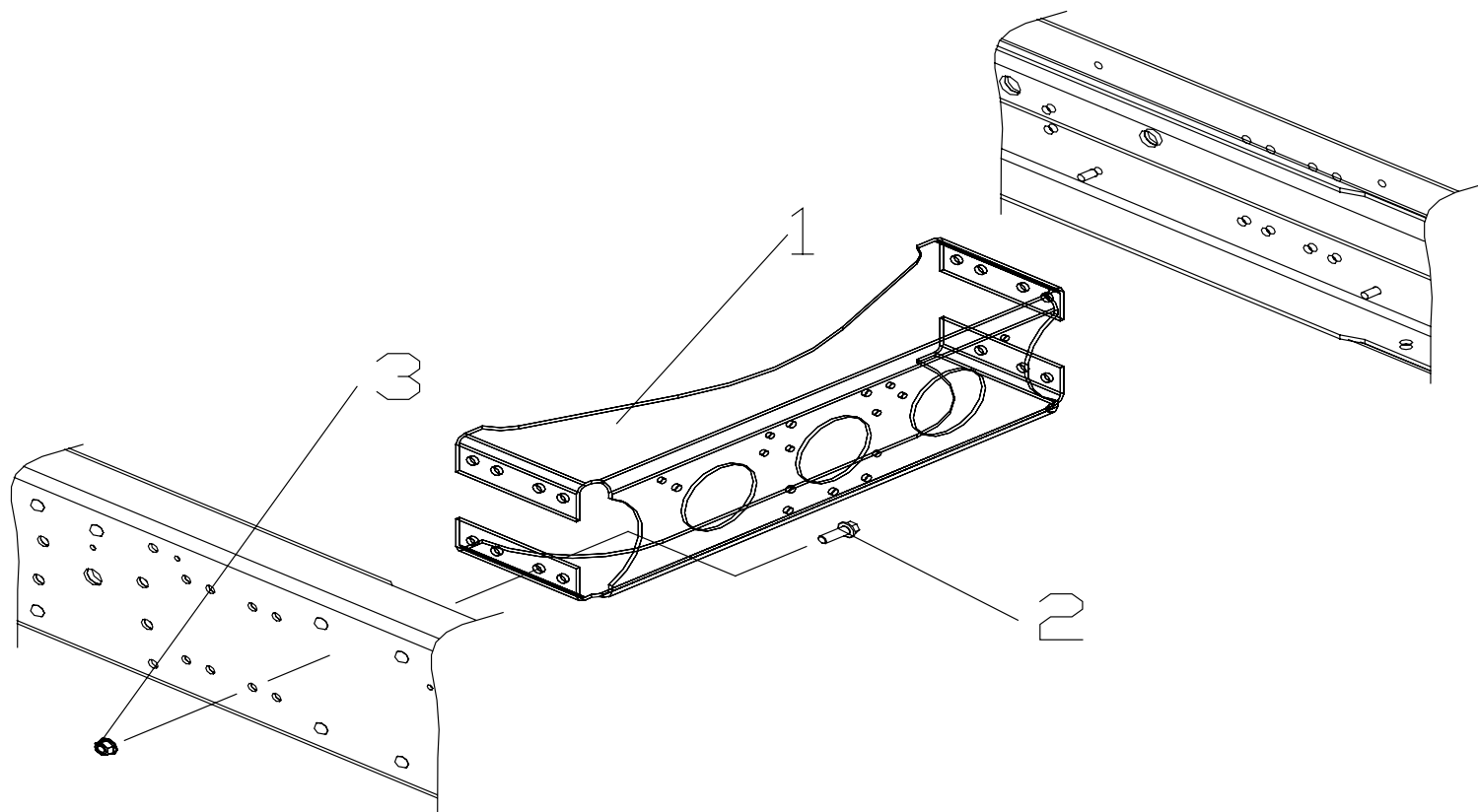
28-AE



序号 No.	件号 Part No.	数量 Quantity	名称 Name	规格 Specification	适用产品 Products Applied	备注 Remark
1	28AP-01160	1	第六横梁总成 Sixth Cross Member Assembly			
2	HQ1841445TF2	8	六角法兰面螺栓 (M14×1.5) Hexagon Bolt With Flange(M14×1.5)			
3	HQ320B14T13F2	8	六角法兰面螺母 (M14×1.5) Hexagon Nut With Flange(M14×1.5)			
4	Q4501250	8	半圆头铆钉 Half-Round Head Rivet			

28A 第六横梁装配图 / 28A SIXTH CROSS MEMBER

28-AF



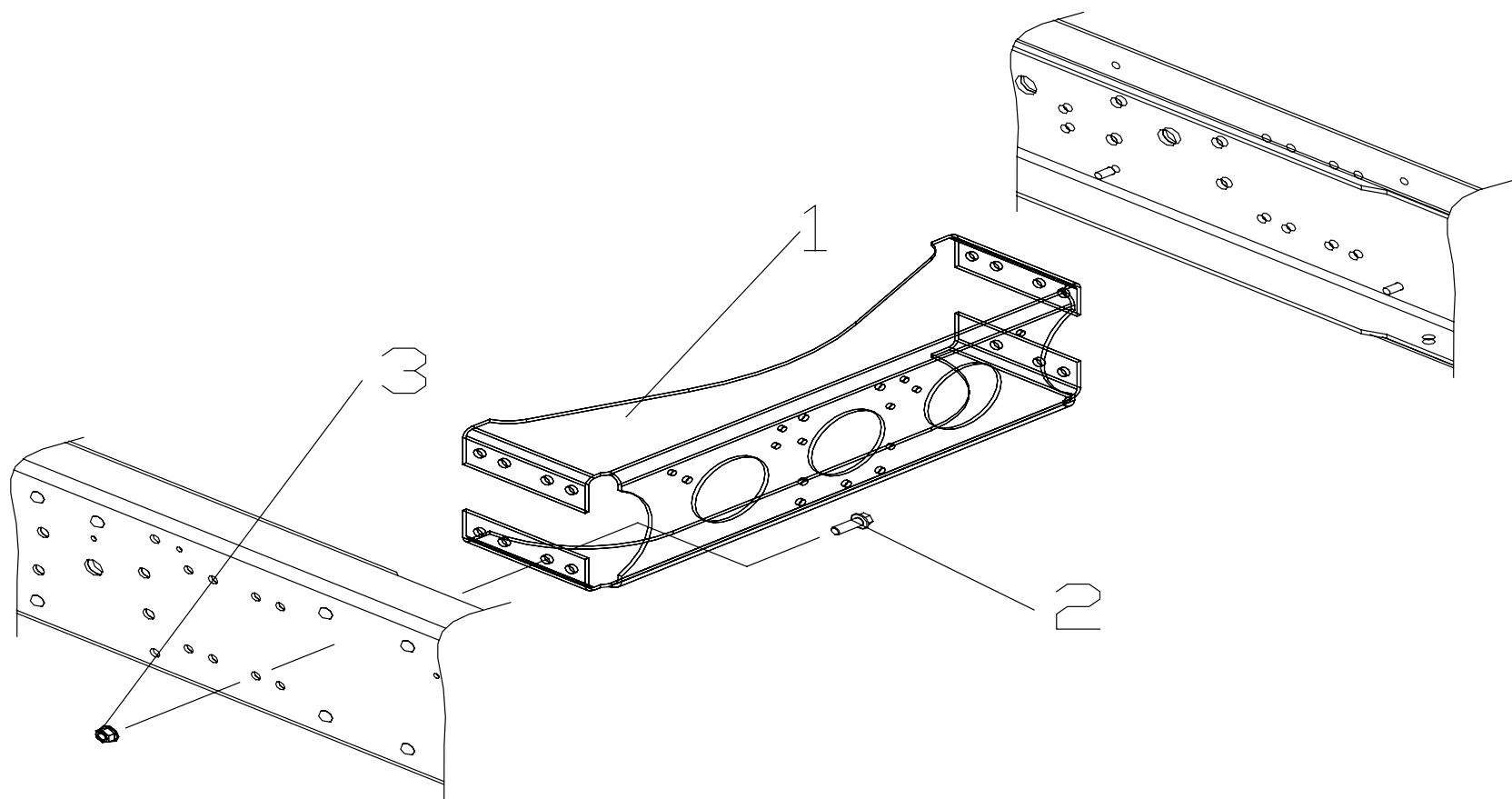
车架系统 / FRAME SYSTEM

28-120

序号 No.	件号 Part No.	数量 Quantity	名称 Name	规格 Specification	适用产品 Products Applied	备注 Remark
1	28AD-01161	1	第六横梁 Sixth Cross Member			
2	HQ1841445TF2	16	六角法兰面螺栓 (M14×1.5) Hexagon Bolt With Flange(M14×1.5)			
3	HQ320B14T13F2	16	六角法兰面螺母 (M14×1.5) Hexagon Nut With Flange(M14×1.5)			

28AZ 第六横梁装配图 / 28AZ SIXTH CROSS MEMBER

28-AG



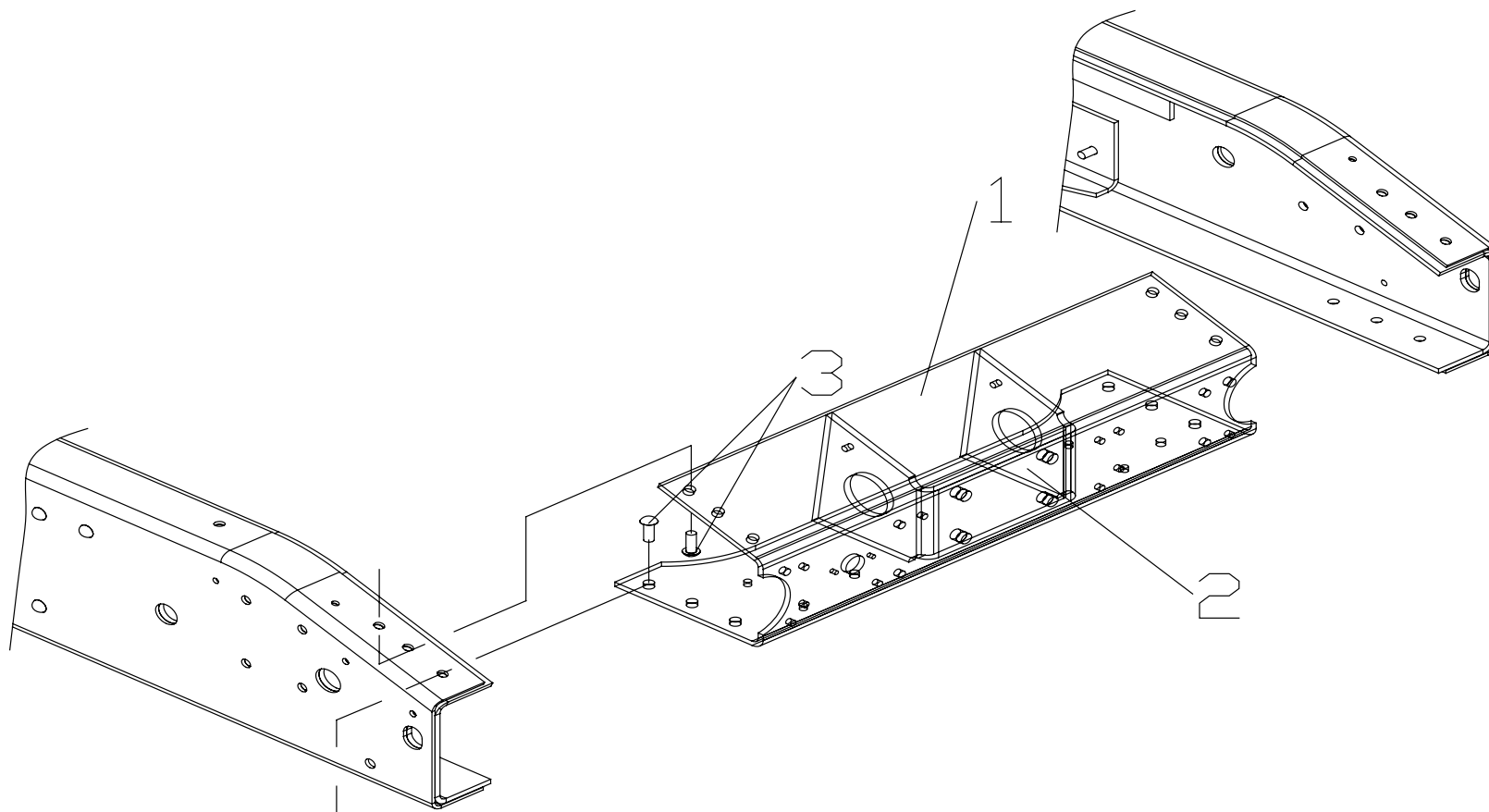
车架系统 / FRAME SYSTEM

28-122

序号 No.	件号 Part No.	数量 Quantity	名称 Name	规格 Specification	适用产品 Products Applied	备注 Remark
1	28AZ-01161	1	第六横梁 Sixth Cross Member			
2	HQ1841440TF2	16	六角法兰面螺栓 (M14×1.5) Hexagon Bolt With Flange(M14×1.5)			
3	HQ320B14T13F2	16	六角法兰面螺母 (M14×1.5) Hexagon Nut With Flange(M14×1.5)			

28ADQ 第六横梁装配图 / 28ADQ SIXTH CROSS MEMBER

28-AH



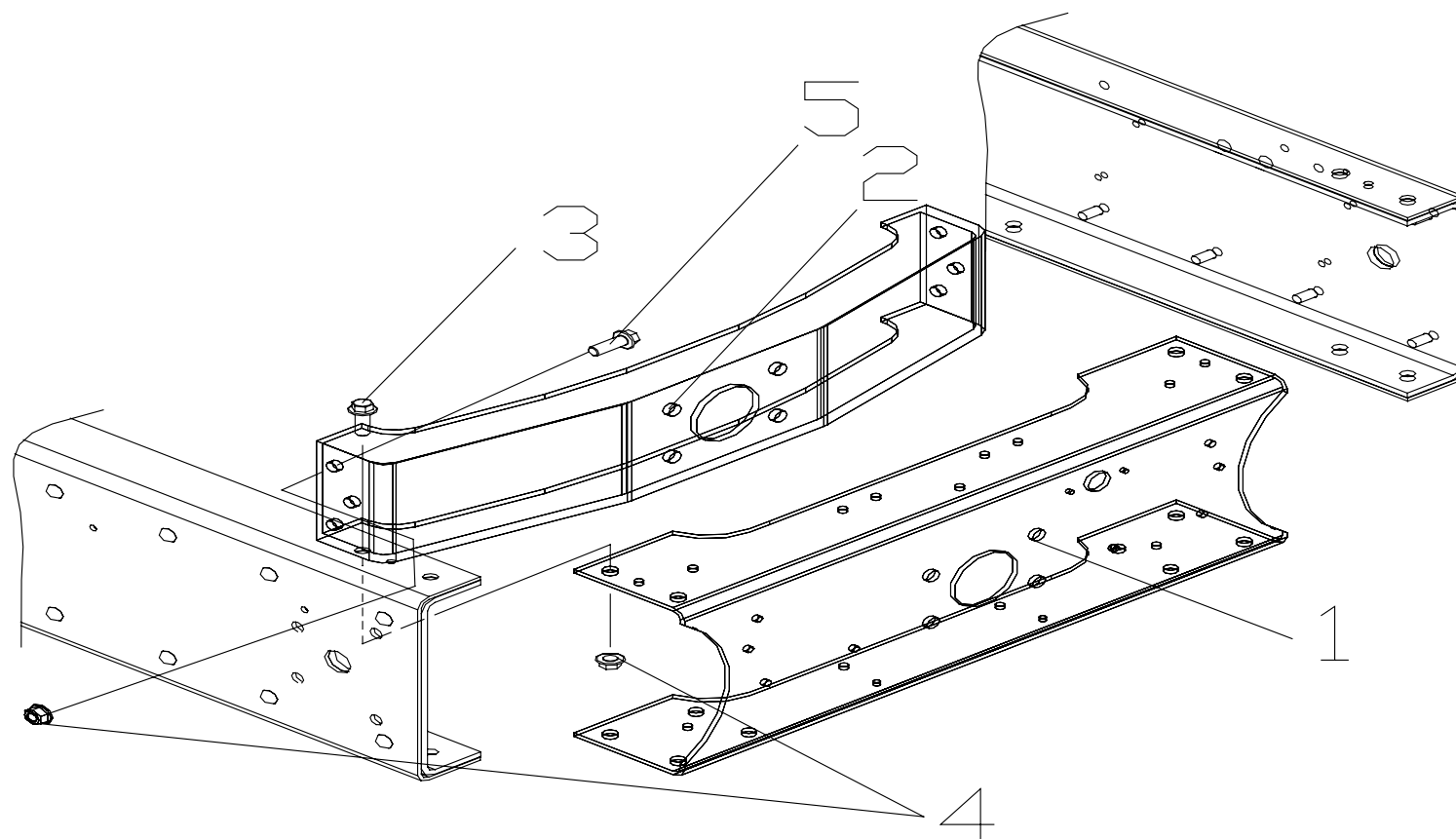
车架系统 / FRAME SYSTEM

28-124

序号 No.	件号 Part No.	数量 Quantity	名称 Name	规格 Specification	适用产品 Products Applied	备注 Remark
1	28ADQ-01161	1	第六横梁 Sixth Cross Member			
2	28ADQ-01163	12	支架 - 第六横梁 Bracket-Sixth Cross Member			
3	Q4501242	12	半圆头铆钉 Half-Round Head Rivet			

28AD 第七横梁装配图 / 28AD SEVENTH CROSS MEMBER

28-AI



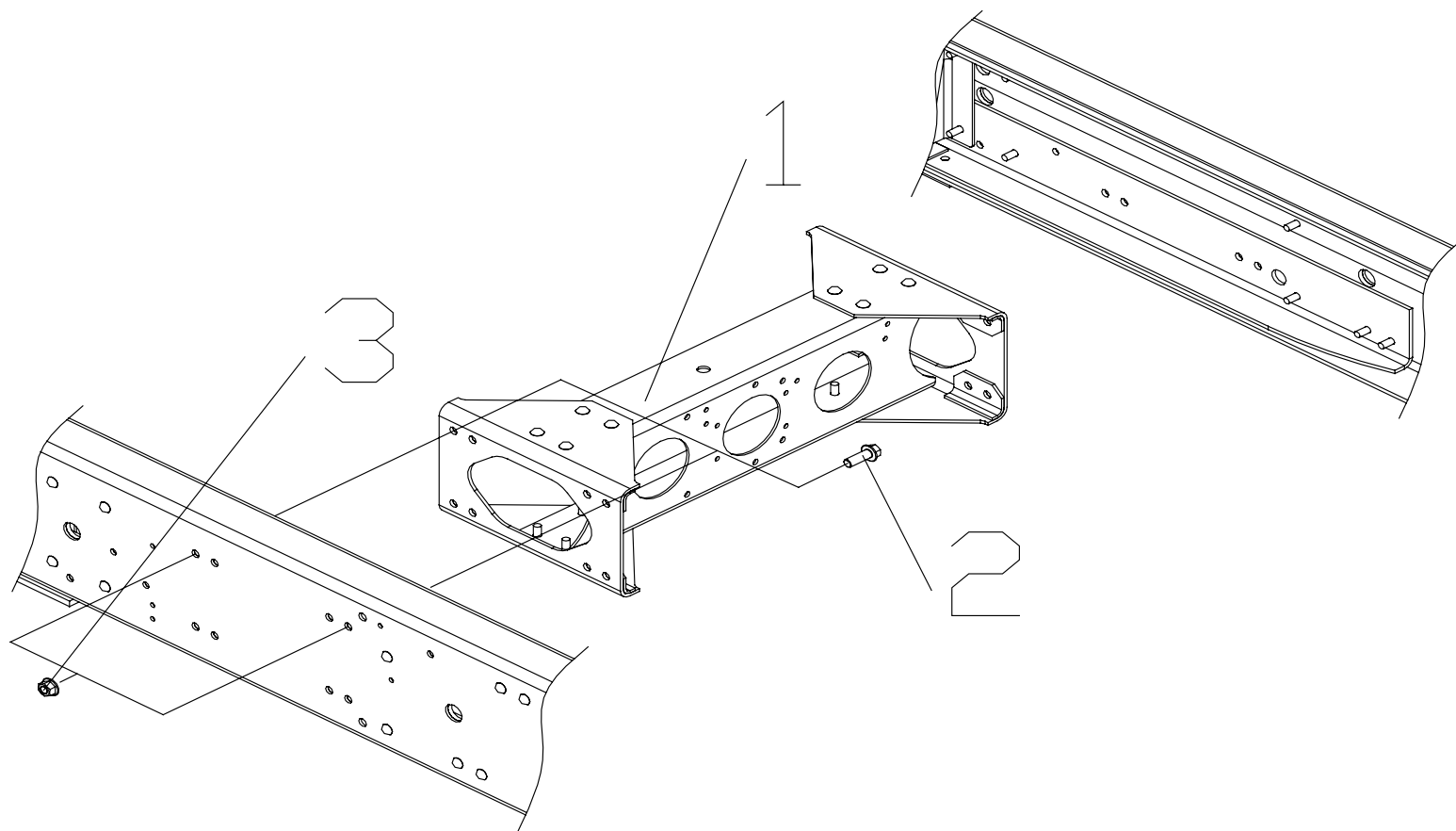
车架系统 / FRAME SYSTEM

28-126

序号 No.	件号 Part No.	数量 Quantity	名称 Name	规格 Specification	适用产品 Products Applied	备注 Remark
1	28AD-01171	1	第七横梁 Seventh Cross Member			
2	28ADQ-06021	1	加强梁 Reinforced Beam			
3	HQ1841440TF2	8	六角法兰面螺栓 (M14×1.5) Hexagon Bolt With Flange(M14×1.5)			
4	HQ320B14T13F2	14	六角法兰面螺母 (M14×1.5) Hexagon Nut With Flange(M14×1.5)			
5	HQ1841450TF2	6	六角法兰面螺栓 (M14×1.5) Hexagon Bolt With Flange(M14×1.5)			

28AP 第八横梁总成装配图 / 28AP EIGHTH CROSS MEMBER ASSEMBLY

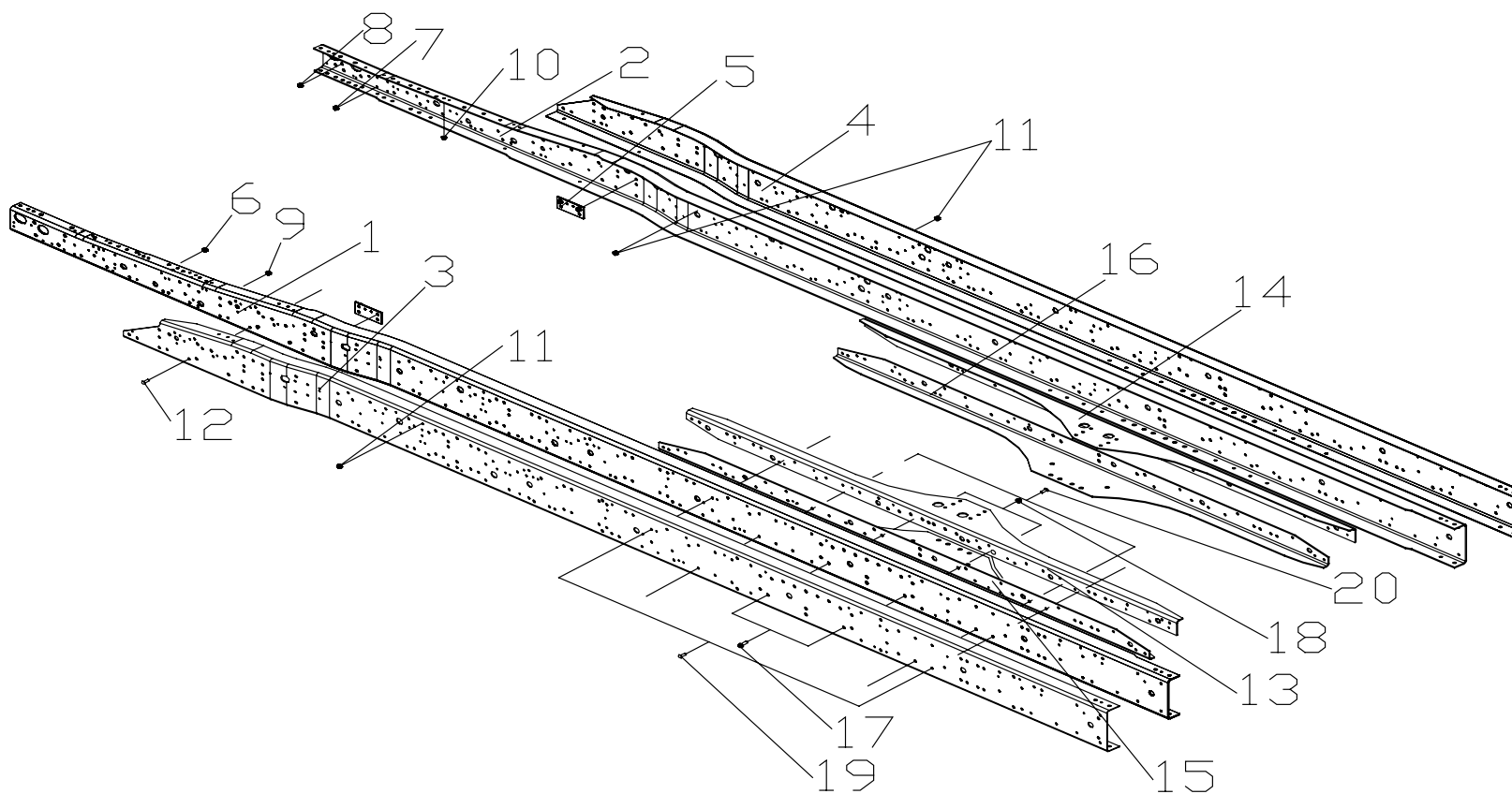
28-AJ



序号 No.	件号 Part No.	数量 Quantity	名称 Name	规格 Specification	适用产品 Products Applied	备注 Remark
1	28AP-01180	1	第八横梁总成 Eighth Cross Member Assembly			
2	HQ1841455TF2	16	六角法兰面螺栓 (M14×1.5) Hexagon Bolt With Flange(M14×1.5)			
3	HQ320B14T13F2	16	六角法兰面螺母 (M14×1.5) Hexagon Nut With Flange(M14×1.5)			

28AH4D 左右纵梁装配图 / 28AH4D LEFT AND RIGHT SIDE MEMBER

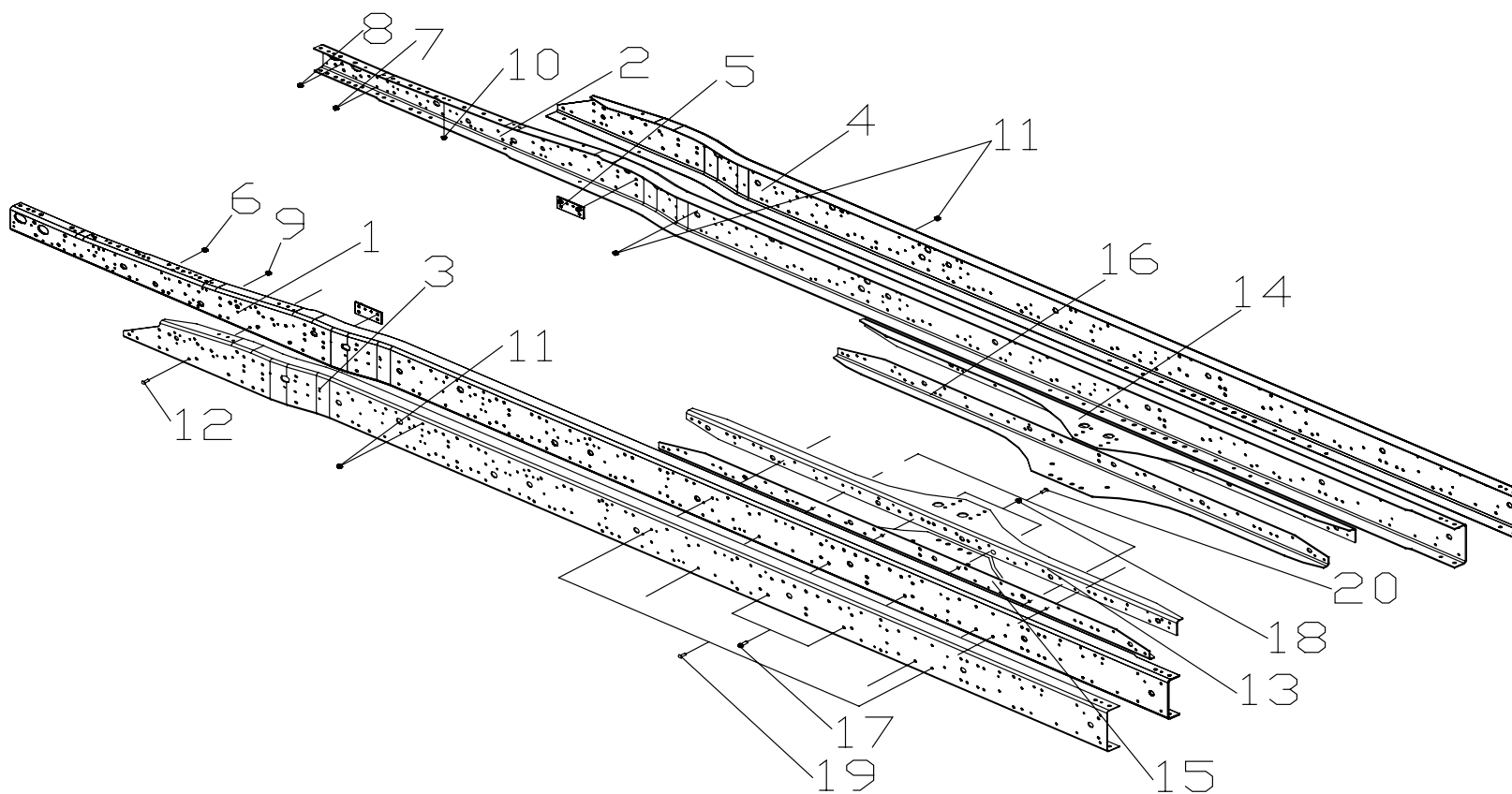
28-AK



序号 No.	件号 Part No.	数量 Quantity	名称 Name	规格 Specification	适用产品 Products Applied	备注 Remark
1	28AHD-01621	1	左主纵梁 Main Side Member LH		三菱动力 MITSUBISHI Engine	
	28AH2D-01621	1	左主纵梁 Main Side Member LH		斯太尔动力 STEYR Engine	
	28AH3D-01621	1	左主纵梁 Main Side Member LH		五十铃动力 ISUZU Engine	
	28AH4D-01621	1	左主纵梁 Main Side Member LH		康明斯动力 CUMMINS Engine	
	28AH16D-01621	1	左主纵梁 Main Side Member LH		日野动力 HINO Engine	
2	28AHD-01622	1	右主纵梁 Main Side Member RH		三菱动力 MITSUBISHI Engine	
	28AH2D-01622	1	右主纵梁 Main Side Member RH		斯太尔动力 STEYR Engine	
	28AH3D-01622	1	右主纵梁 Main Side Member RH		五十铃动力 ISUZU Engine	
	28AH4D-01622	1	右主纵梁 Main Side Member RH		康明斯动力 CUMMINS Engine	
	28AH16D-01622	1	右主纵梁 Main Side Member RH		日野动力 HINO Engine	
3	28AHD-01637	1	左副纵梁 Sub Side Member LH		三菱动力 MITSUBISHI Engine	
	28AH2D-01637	1	左副纵梁 Sub Side Member LH		斯太尔动力 STEYR Engine	
	28AH3D-01637	1	左副纵梁 Sub Side Member LH		五十铃动力 ISUZU Engine	
	28AH4D-01637	1	左副纵梁 Sub Side Member LH		康明斯动力 CUMMINS Engine	

28AH4D 左右纵梁装配图 / 28AH4D LEFT AND RIGHT SIDE MEMBER

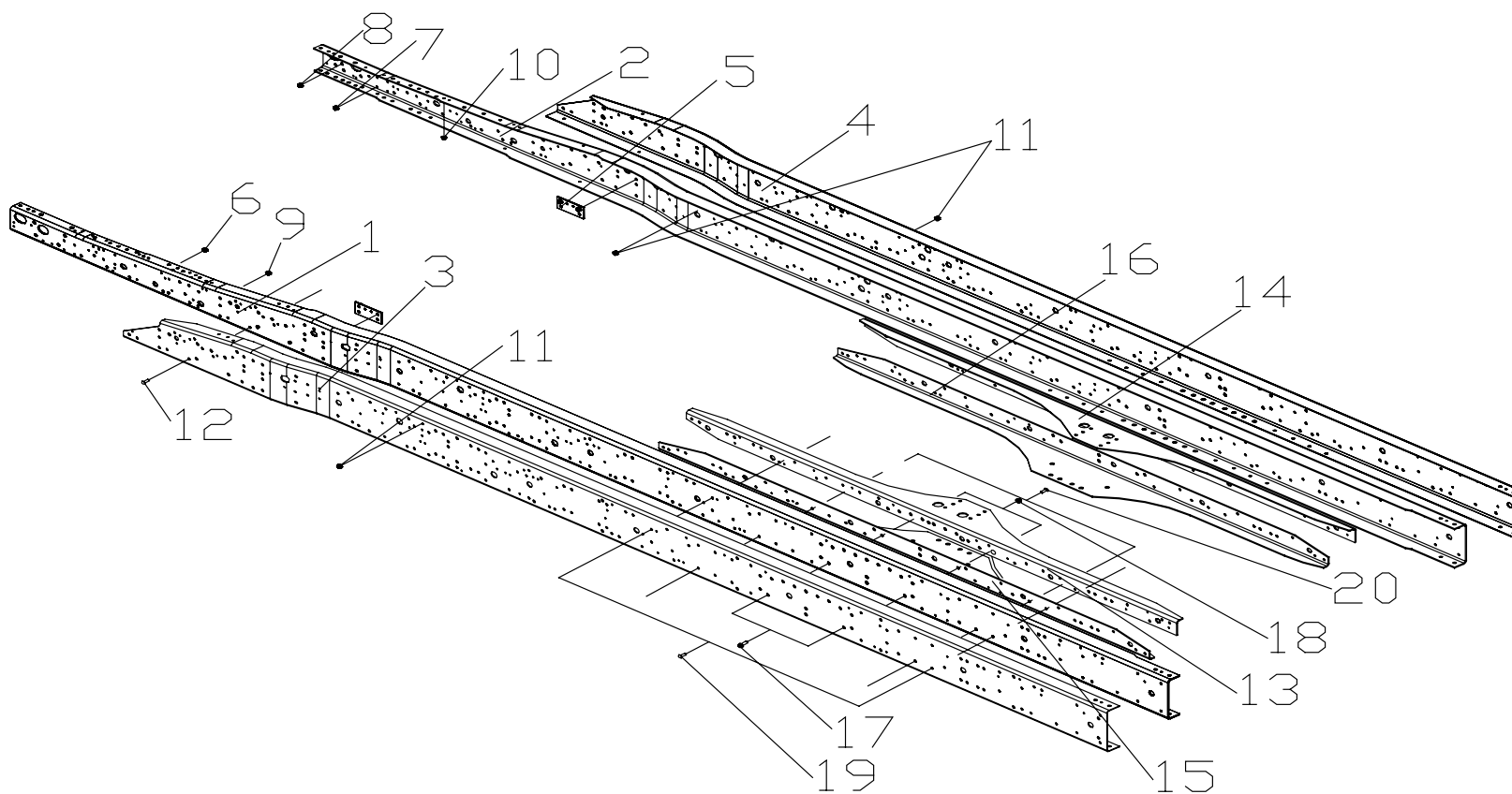
28-AK



序号 No.	件号 Part No.	数量 Quantity	名称 Name	规格 Specification	适用产品 Products Applied	备注 Remark
3	28AH16D-01637	1	左副纵梁 Sub Side Member LH		日野动力 HINO Engine	
4	28AHD-01638	1	右副纵梁 Sub Side Member RH		三菱动力 MITSUBISHI Engine	
	28AH2D-01638	1	右副纵梁 Sub Side Member RH		斯太尔动力 STEYR Engine	
	28AH3D-01638	1	右副纵梁 Sub Side Member RH		五十铃动力 ISUZU Engine	
	28AH4D-01638	1	右副纵梁 Sub Side Member RH		康明斯动力 CUMMINS Engine	
	28AH16D-01638	1	右副纵梁 Sub Side Member RH		日野动力 HINO Engine	
5	28AD-01030	2	固定用加强板总成 - 龙门架梁 Stiffening Panel Assembly For Fixing-Gantry Beam			
6	Q340B08T13F2	2/3	I 型六角螺母 Hexagon Full Nut			左 / 右 L/R
7	Q341B10T13F2	9/9	I 型六角螺母 (M10×1) Hexagon Full Nut(M10×1)			左 / 右 L/R
8	Q341B12T13F2	3	I 型六角螺母 (M12×1.25) Hexagon Full Nut(M12×1.25)			右 R
9	Q341B14T13F2	3/1	I 型六角螺母 (M14×1.5) Hexagon Full Nut(M14×1.5)			左 / 右 L/R
10	Q33008T13F2	1	全金属六角法兰面锁紧螺母 All-Metal Hexagon Lock Nut With Flange			右 R
11	Q33010T13F2	1/2	全金属六角法兰面锁紧螺母 (M10×1) All-Metal Hexagon Lock Nut With Flange(M10×1)			左 / 右 L/R

28AH4D 左右纵梁装配图 / 28AH4D LEFT AND RIGHT SIDE MEMBER

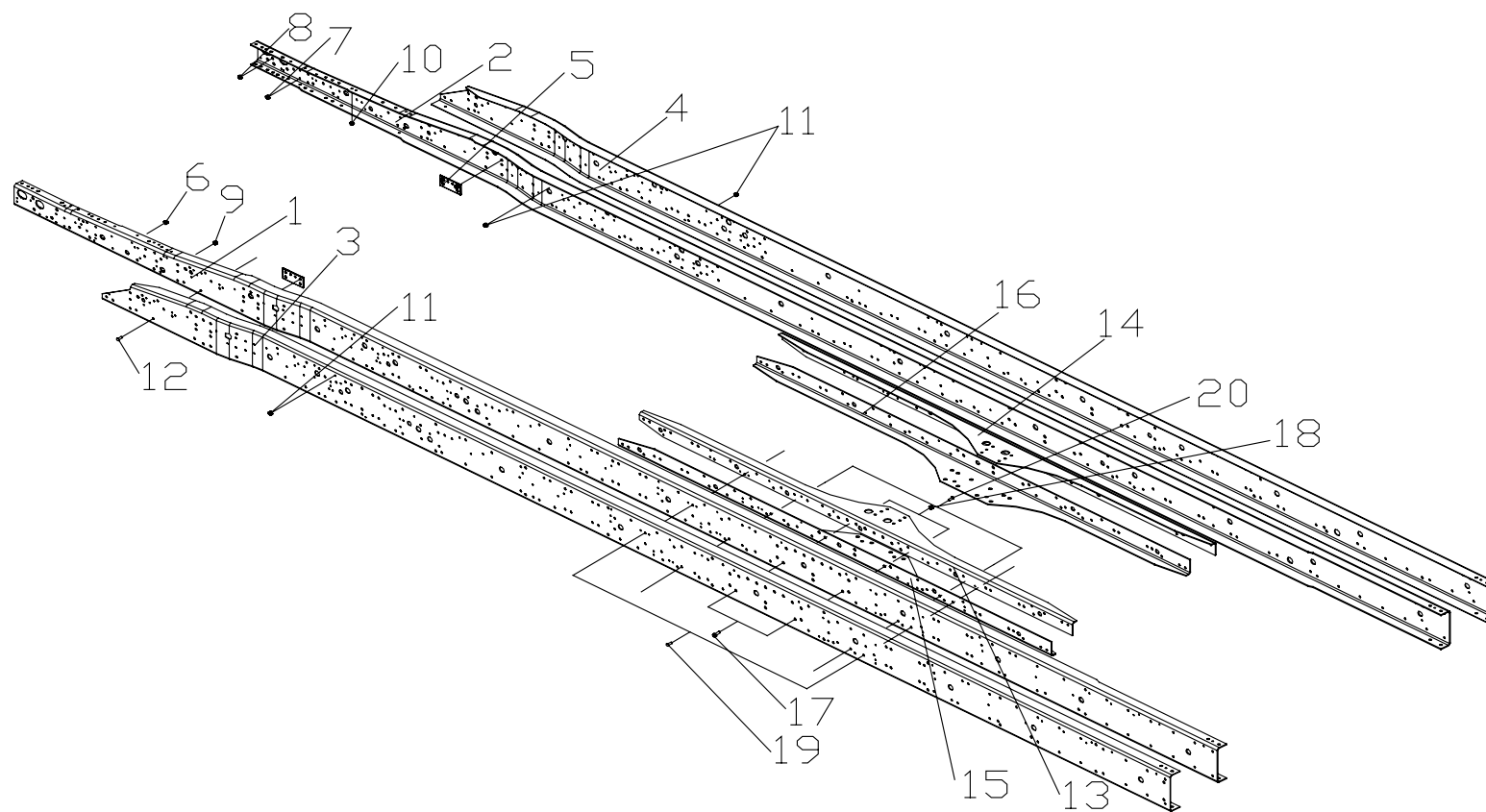
28-AK



序号 No.	件号 Part No.	数量 Quantity	名称 Name	规格 Specification	适用产品 Products Applied	备注 Remark
12	Q4501234	19/18	半圆头铆钉 Half-Round Head Rivet			左 / 右 L/R
13	28AD-01047	1	左上加强板 - 纵梁 Upper Stiffening Panel LH-Side Member			
14	28AD-01048	1	右上加强板 - 纵梁 Upper Stiffening Panel RH-Side Member			
15	28AD-01057	1	左下加强板 - 纵梁 Lower Stiffening Panel LH-Side Member			
16	28AD-01058	1	右下加强板 - 纵梁 Lower Stiffening Panel RH-Side Member			
17	HQ1841645TF2	6/6	六角法兰面螺栓 (M16×1.5) Hexagon Bolt With Flange(M16×1.5)			左 / 右 L/R
18	HQ320B16T13F2	6/6	六角法兰面螺母 (M16×1.5) Hexagon Nut With Flange(M16×1.5)			左 / 右 L/R
19	Q4501240	29/29	半圆头铆钉 Half-Round Head Rivet			左 / 右 L/R
20	Q4501242	8/8	半圆头铆钉 Half-Round Head Rivet			左 / 右 L/R

28AH4DZ2 左右纵梁装配图 / 28AH4DZ2 LEFT AND RIGHT SIDE MEMBER

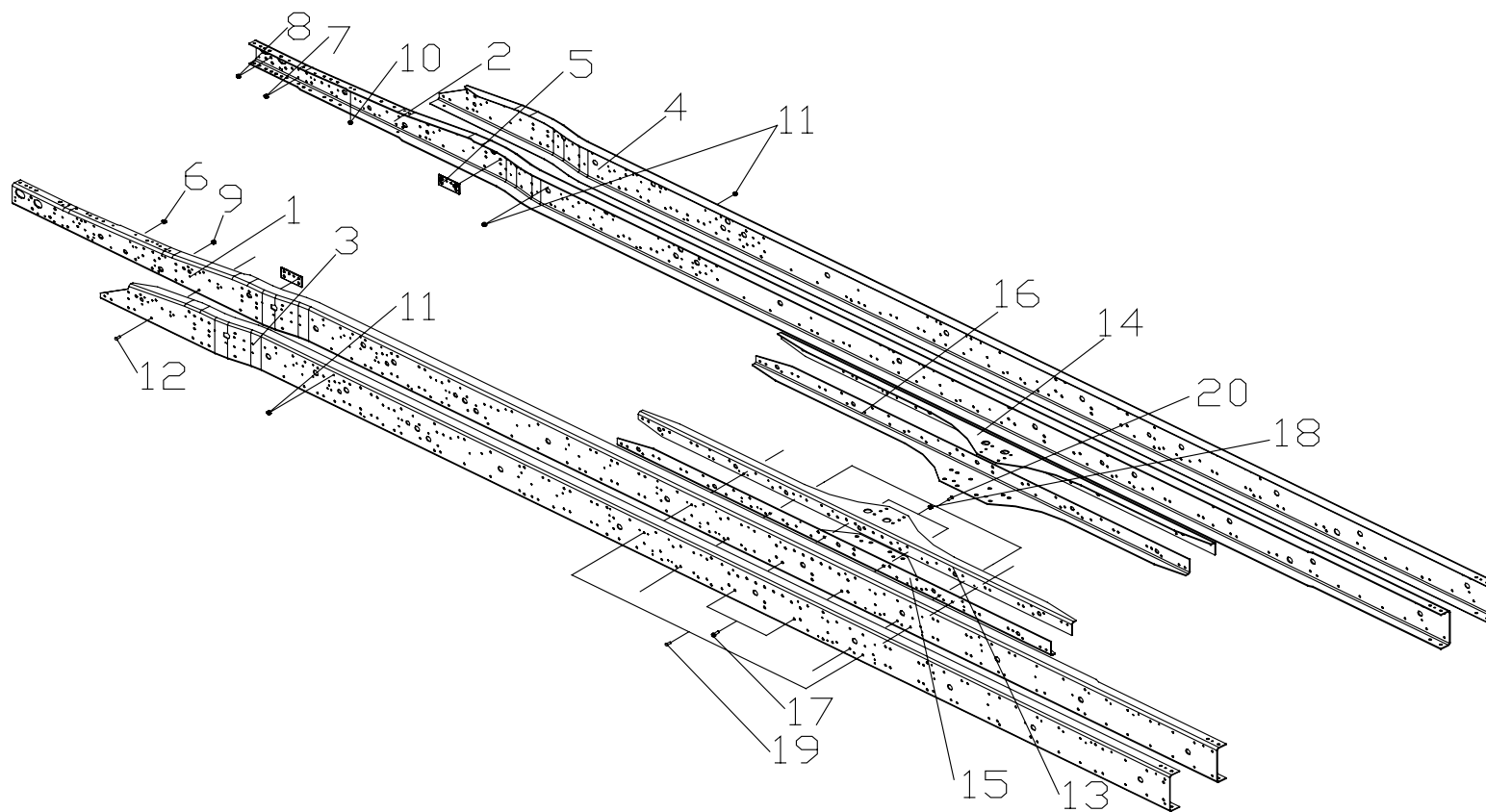
28-AL



序号 No.	件号 Part No.	数量 Quantity	名称 Name	规格 Specification	适用产品 Products Applied	备注 Remark
1	28AHDZ2-01621	1	左主纵梁 Main Side Member LH		三菱动力 MITSUBISHI Engine	
	28AH2DZ2-01621	1	左主纵梁 Main Side Member LH		斯太尔动力 STEYR Engine	
	28AH3DZ2-01621	1	左主纵梁 Main Side Member LH		五十铃动力 ISUZU Engine	
	28AH4DZ2-01621	1	左主纵梁 Main Side Member LH		康明斯动力 CUMMINS Engine	
	28AH16DZ2-01621	1	左主纵梁 Main Side Member LH		日野动力 HINO Engine	
2	28AHDZ2-01622	1	右主纵梁 Main Side Member RH		三菱动力 MITSUBISHI Engine	
	28AH2DZ2-01622	1	右主纵梁 Main Side Member RH		斯太尔动力 STEYR Engine	
	28AH3DZ2-01622	1	右主纵梁 Main Side Member RH		五十铃动力 ISUZU Engine	
	28AH4DZ2-01622	1	右主纵梁 Main Side Member RH		康明斯动力 CUMMINS Engine	
	28AH16DZ2-01622	1	右主纵梁 Main Side Member RH		日野动力 HINO Engine	
3	28AHDZ2-01637	1	左副纵梁 Sub Side Member LH		三菱动力 MITSUBISHI Engine	
	28AH2DZ2-01637	1	左副纵梁 Sub Side Member LH		斯太尔动力 STEYR Engine	
	28AH3DZ2-01637	1	左副纵梁 Sub Side Member LH		五十铃动力 ISUZU Engine	
	28AH4DZ2-01637	1	左副纵梁 Sub Side Member LH		康明斯动力 CUMMINS Engine	

28AH4DZ2 左右纵梁装配图 / 28AH4DZ2 LEFT AND RIGHT SIDE MEMBER

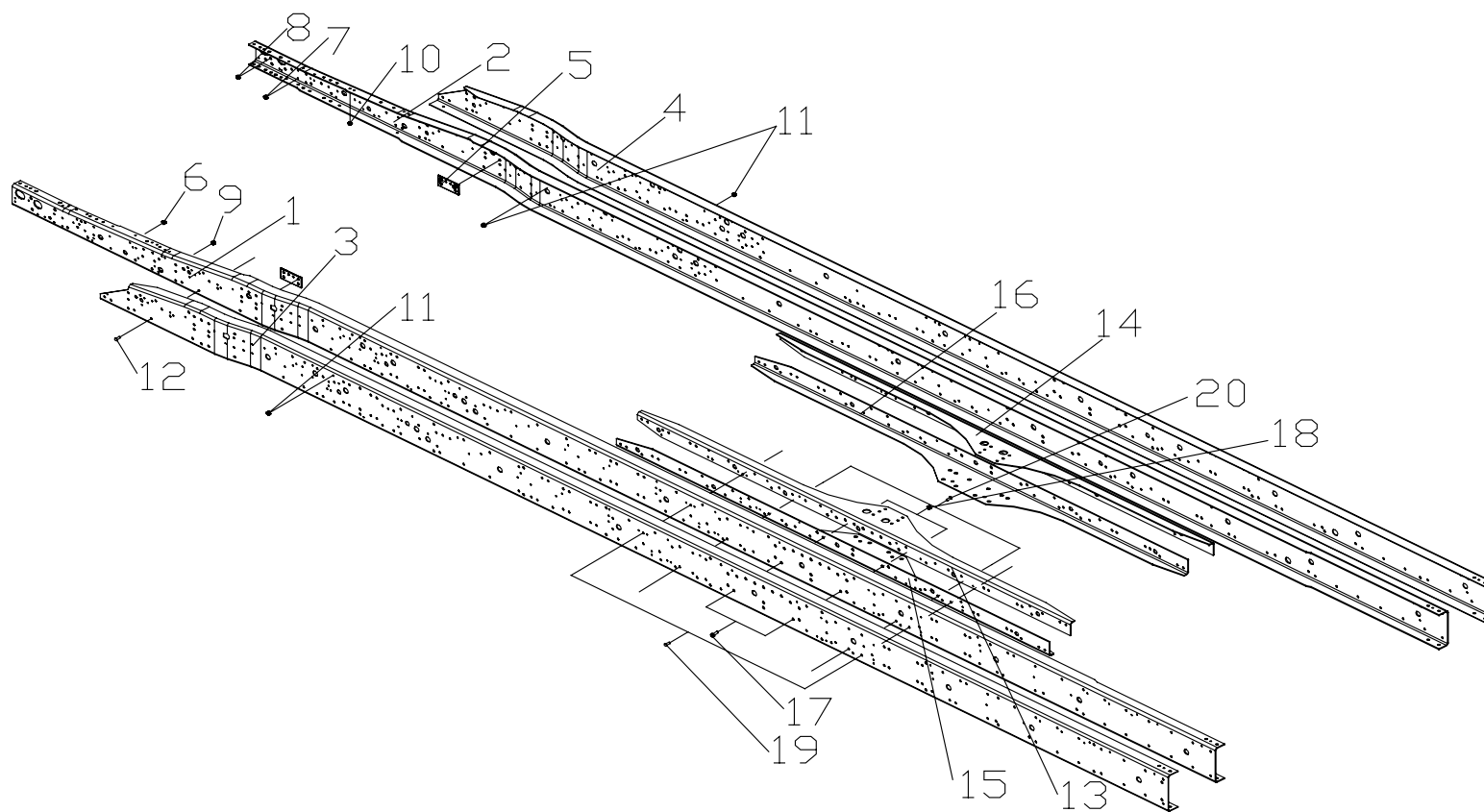
28-AL



序号 No.	件号 Part No.	数量 Quantity	名称 Name	规格 Specification	适用产品 Products Applied	备注 Remark
3	28AH16DZ2-01637	1	左副纵梁 Sub Side Member LH		日野动力 HINO Engine	
4	28AHDZ2-01638	1	右副纵梁 Sub Side Member RH		三菱动力 MITSUBISHI Engine	
	28AH2DZ2-01638	1	右副纵梁 Sub Side Member RH		斯太尔动力 STEYR Engine	
	28AH3DZ2-01638	1	右副纵梁 Sub Side Member RH		五十铃动力 ISUZU Engine	
	28AH4 DZ2-01638	1	右副纵梁 Sub Side Member RH		康明斯动力 CUMMINS Engine	
	28AH16DZ2-01638	1	右副纵梁 Sub Side Member RH		日野动力 HINO Engine	
5	28AD-01030	2	固定用加强板总成 - 龙门架梁 Stiffening Panel Assembly For Fixing-Gantry Beam			
6	Q340B08T13F2	2/3	I 型六角螺母 Hexagon Full Nut			左 / 右 L/R
7	Q341B10T13F2	9/9	I 型六角螺母 (M10×1) Hexagon Full Nut(M10×1)			左 / 右 L/R
8	Q341B12T13F2	3	I 型六角螺母 (M12×1.25) Hexagon Full Nut(M12×1.25)			右 R
9	Q341B14T13F2	3/1	I 型六角螺母 (M14×1.5) Hexagon Full Nut(M14×1.5)			左 / 右 L/R
10	Q33008T13F2	1	全金属六角法兰面锁紧螺母 All-Metal Hexagon Lock Nut With Flange			右 R
11	Q33010T13F2	1/2	全金属六角法兰面锁紧螺母 (M10×1) All-Metal Hexagon Lock Nut With Flange(M10×1)			左 / 右 L/R

28AH4DZ2 左右纵梁装配图 / 28AH4DZ2 LEFT AND RIGHT SIDE MEMBER

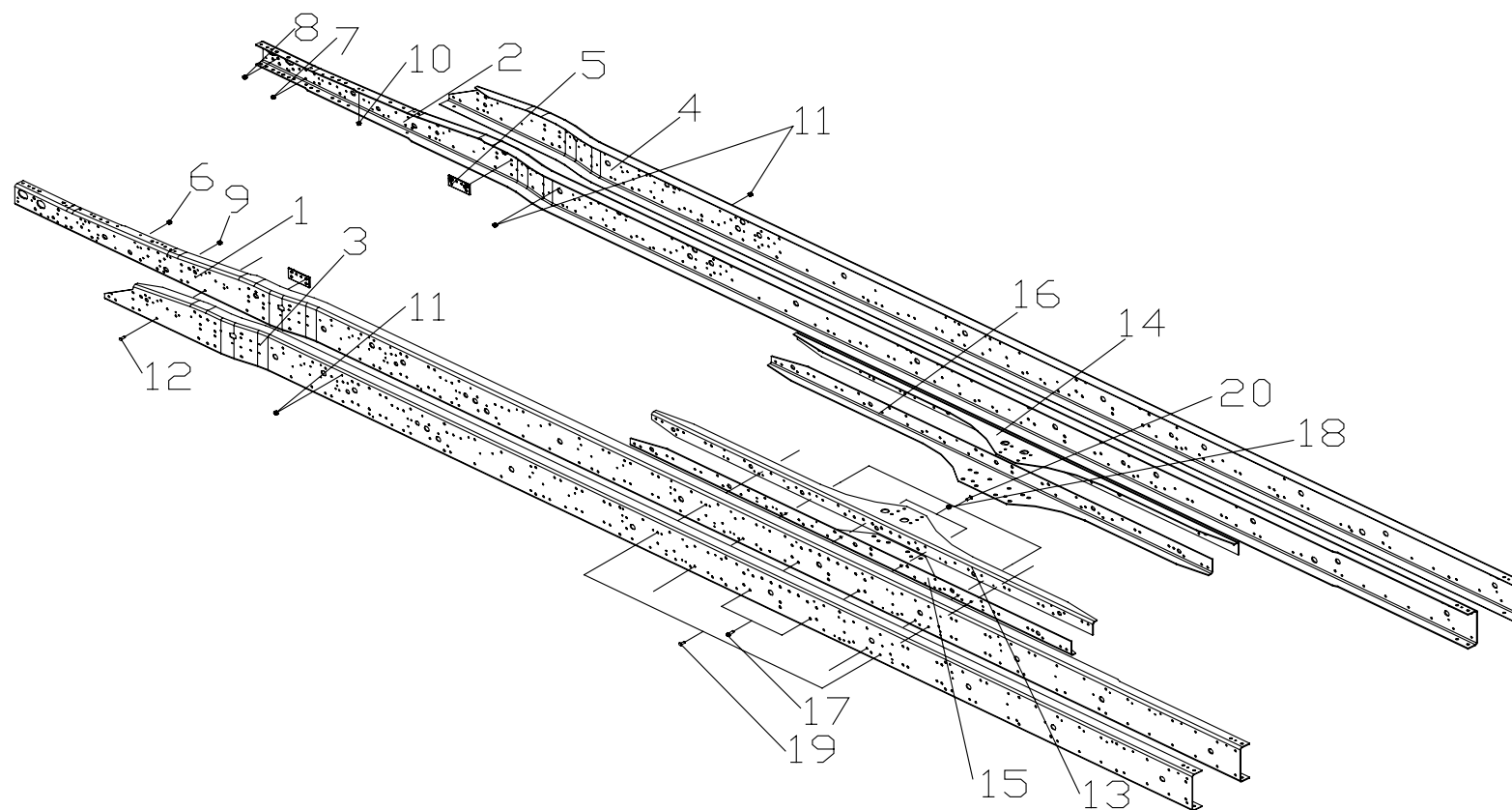
28-AL



序号 No.	件号 Part No.	数量 Quantity	名称 Name	规格 Specification	适用产品 Products Applied	备注 Remark
12	Q4501234	26/23	半圆头铆钉 Half-Round Head Rivet			左 / 右 L/R
13	28ADP-01047	1	左上加强板 - 纵梁 Upper Stiffening Panel LH-Side Member			
14	28ADP-01048	1	右上加强板 - 纵梁 Upper Stiffening Panel RH-Side Member			
15	28ADP-01057	1	左下加强板 - 纵梁 Lower Stiffening Panel LH-Side Member			
16	28ADP-01058	1	右下加强板 - 纵梁 Lower Stiffening Panel RH-Side Member			
17	HQ1841645TF2	6/6	六角法兰面螺栓 (M16×1.5) Hexagon Bolt With Flange(M16×1.5)			左 / 右 L/R
18	HQ320B16T13F2	6/6	六角法兰面螺母 (M16×1.5) Hexagon Nut With Flange(M16×1.5)			左 / 右 L/R
19	Q4501240	19/19	半圆头铆钉 Half-Round Head Rivet			左 / 右 L/R
20	Q4501242	8/8	半圆头铆钉 Half-Round Head Rivet			左 / 右 L/R

28AH4DZ12 左右纵梁装配图 / 28AH4DZ12 LEFT AND RIGHT SIDE MEMBER

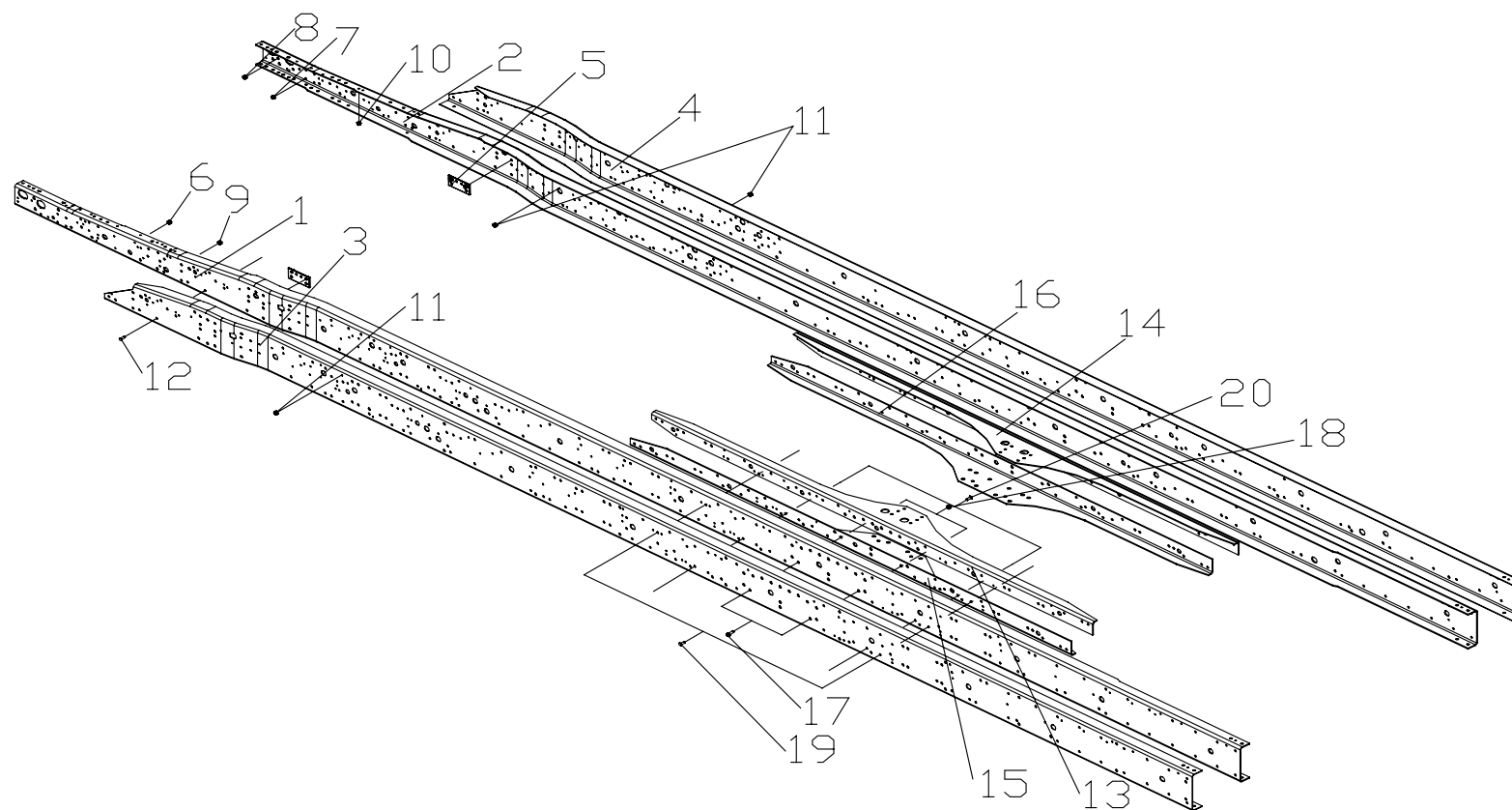
28-AM



序号 No.	件号 Part No.	数量 Quantity	名称 Name	规格 Specification	适用产品 Products Applied	备注 Remark
1	28AHDZ12-01621	1	左主纵梁 Main Side Member LH		三菱动力 MITSUBISHI Engine	
	28AH2DZ12-01621	1	左主纵梁 Main Side Member LH		斯太尔动力 STEYR Engine	
	28AH3DZ12-01621	1	左主纵梁 Main Side Member LH		五十铃动力 ISUZU Engine	
	28AH4DZ12-01621	1	左主纵梁 Main Side Member LH		康明斯动力 CUMMINS Engine	
	28AH16DZ12-01621	1	左主纵梁 Main Side Member LH		日野动力 HINO Engine	
2	28AHDZ12-01622	1	右主纵梁 Main Side Member RH		三菱动力 MITSUBISHI Engine	
	28AH2DZ12-01622	1	右主纵梁 Main Side Member RH		斯太尔动力 STEYR Engine	
	28AH3DZ12-01622	1	右主纵梁 Main Side Member RH		五十铃动力 ISUZU Engine	
	28AH4DZ12-01622	1	右主纵梁 Main Side Member RH		康明斯动力 CUMMINS Engine	
	28AH16DZ12-01622	1	右主纵梁 Main Side Member RH		日野动力 HINO Engine	
3	28AHDZ12-01637	1	左副纵梁 Sub Side Member LH		三菱动力 MITSUBISHI Engine	
	28AH2DZ12-01637	1	左副纵梁 Sub Side Member LH		斯太尔动力 STEYR Engine	
	28AH3DZ12-01637	1	左副纵梁 Sub Side Member LH		五十铃动力 ISUZU Engine	
	28AH4DZ12-01637	1	左副纵梁 Sub Side Member LH		康明斯动力 CUMMINS Engine	

28AH4DZ12 左右纵梁装配图 / 28AH4DZ12 LEFT AND RIGHT SIDE MEMBER

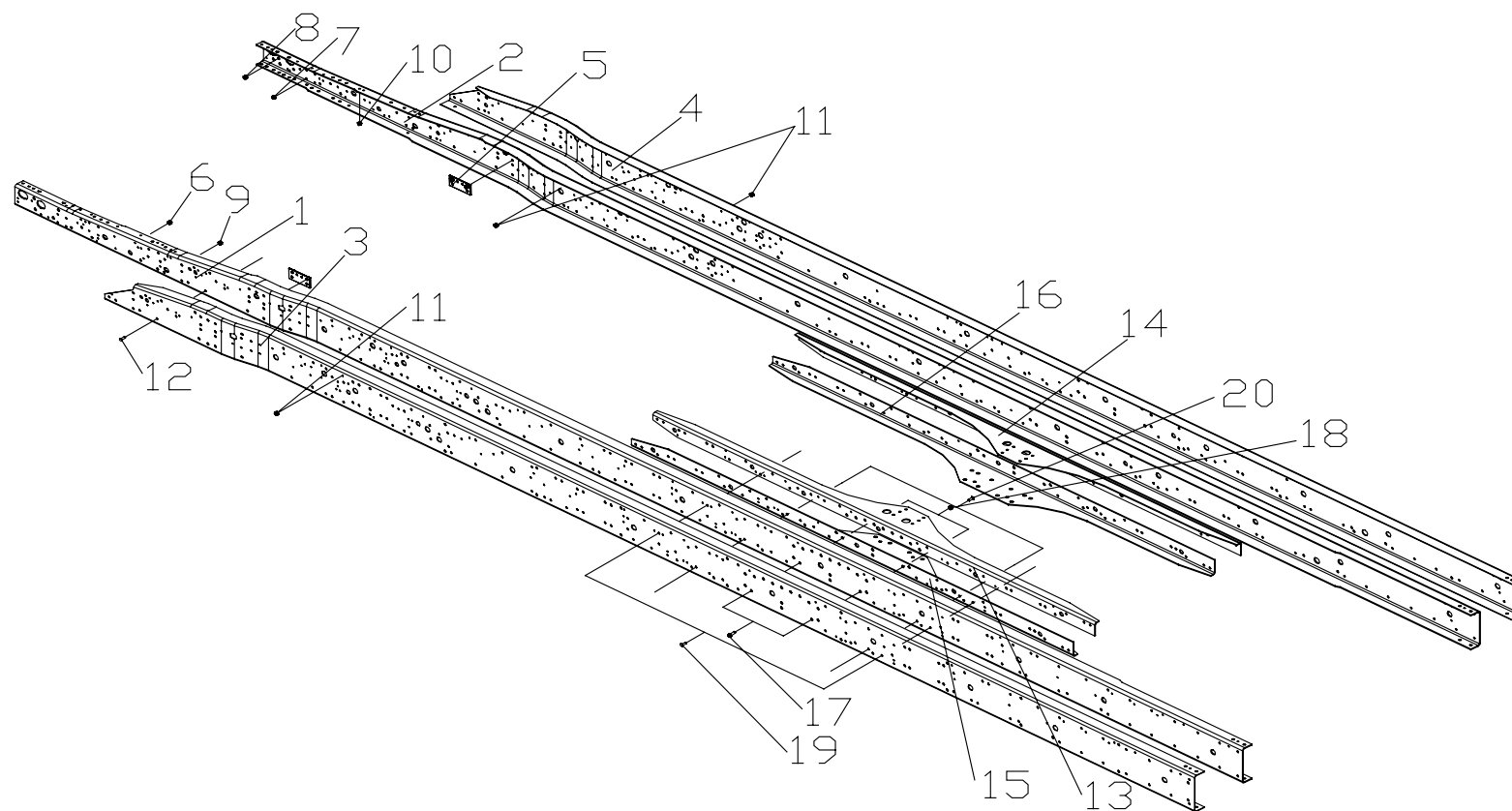
28-AM



序号 No.	件号 Part No.	数量 Quantity	名称 Name	规格 Specification	适用产品 Products Applied	备注 Remark
3	28AH16DZ12-01637	1	左副纵梁 Sub Side Member LH		日野动力 HINO Engine	
4	28AHDZ12-01638	1	右副纵梁 Sub Side Member RH		三菱动力 MITSUBISHI Engine	
	28AH2DZ12-01638	1	右副纵梁 Sub Side Member RH		斯太尔动力 STEYR Engine	
	28AH3DZ12-01638	1	右副纵梁 Sub Side Member RH		五十铃动力 ISUZU Engine	
	28AH4DZ12-01638	1	右副纵梁 Sub Side Member RH		康明斯动力 CUMMINS Engine	
	28AH16DZ12-01638	1	右副纵梁 Sub Side Member RH		日野动力 HINO Engine	
5	28AD-01030	2	固定用加强板总成 - 龙门架梁 Stiffening Panel Assembly For Fixing-Gantry Beam			
6	Q340B08T13F2	2/3	I 型六角螺母 Hexagon Full Nut			左 / 右 L/R
7	Q341B10T13F2	9/9	I 型六角螺母 (M10×1) Hexagon Full Nut(M10×1)			左 / 右 L/R
8	Q341B12T13F2	3	I 型六角螺母 (M12×1.25) Hexagon Full Nut(M12×1.25)			右 R
9	Q341B14T13F2	3/1	I 型六角螺母 (M14×1.5) Hexagon Full Nut(M14×1.5)			左 / 右 L/R
10	Q33008T13F2	1	全金属六角法兰面锁紧螺母 All-Metal Hexagon Lock Nut With Flange			右 R
11	Q33010T13F2	1/2	全金属六角法兰面锁紧螺母 (M10×1) All-Metal Hexagon Lock Nut With Flange (M10×1)			左 / 右 L/R

28AH4DZ12 左右纵梁装配图 / 28AH4DZ12 LEFT AND RIGHT SIDE MEMBER

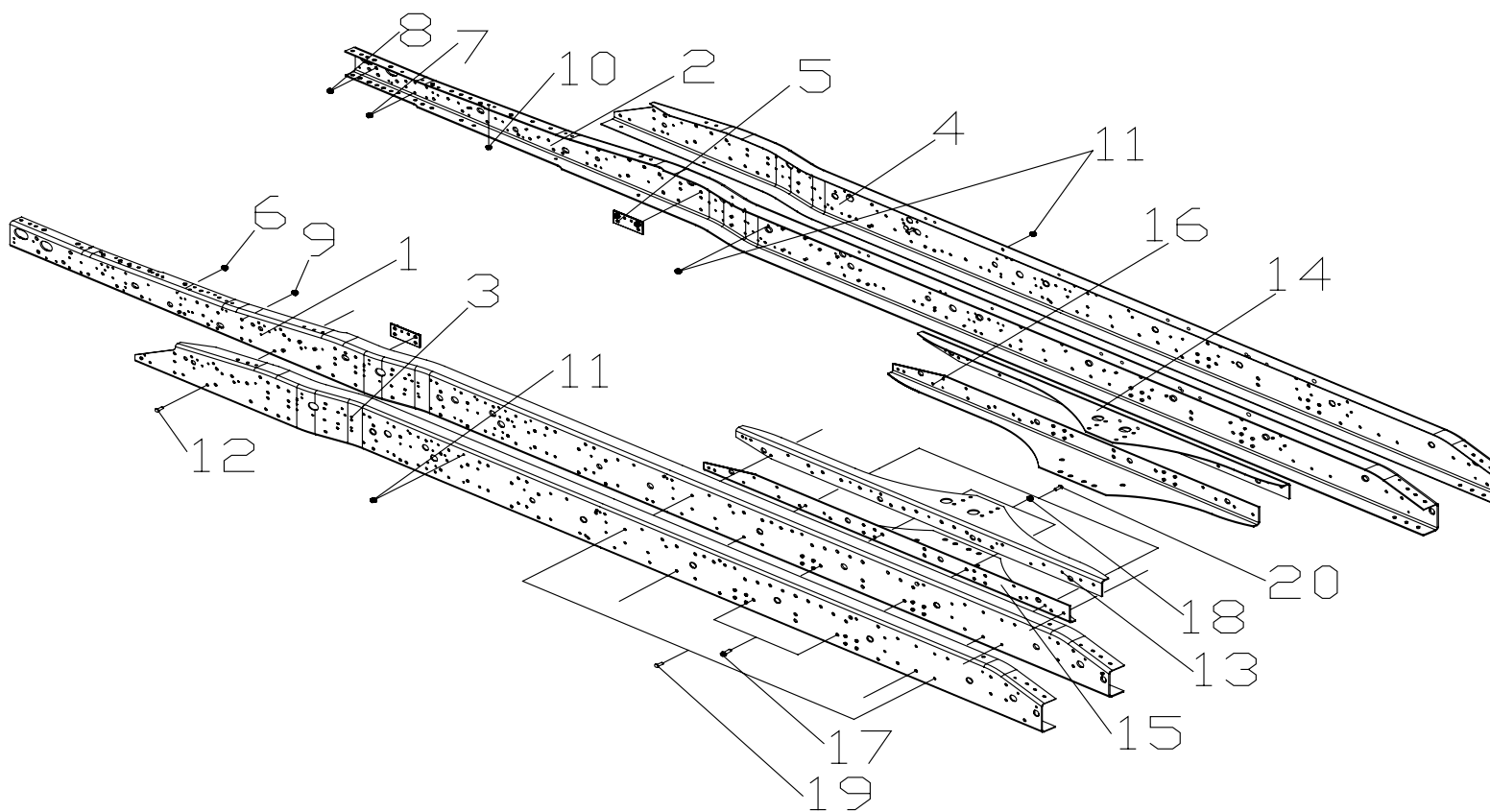
28-AM



序号 No.	件号 Part No.	数量 Quantity	名称 Name	规格 Specification	适用产品 Products Applied	备注 Remark
12	Q4501234	26/23	半圆头铆钉 Half-Round Head Rivet			左 / 右 L/R
13	28ADP-01047	1	左上加强板 - 纵梁 Upper Stiffening Panel LH-Side Member			
14	28ADP-01048	1	右上加强板 - 纵梁 Upper Stiffening Panel RH-Side Member			
15	28ADP-01057	1	左下加强板 - 纵梁 Lower Stiffening Panel LH-Side Member			
16	28ADP-01058	1	右下加强板 - 纵梁 Lower Stiffening Panel RH-Side Member			
17	HQ1841645TF2	6/6	六角法兰面螺栓 (M16×1.5) Hexagon Bolt With Flange(M16×1.5)			左 / 右 L/R
18	HQ320B16T13F2	6/6	六角法兰面螺母 (M16×1.5) Hexagon Nut With Flange(M16×1.5)			左 / 右 L/R
19	Q4501240	19/19	半圆头铆钉 Half-Round Head Rivet			左 / 右 L/R
20	Q4501242	8/8	半圆头铆钉 Half-Round Head Rivet			左 / 右 L/R

28AH4DQ15 左右纵梁装配图 / 28AH4DQ15 LEFT AND RIGHT SIDE MEMBER

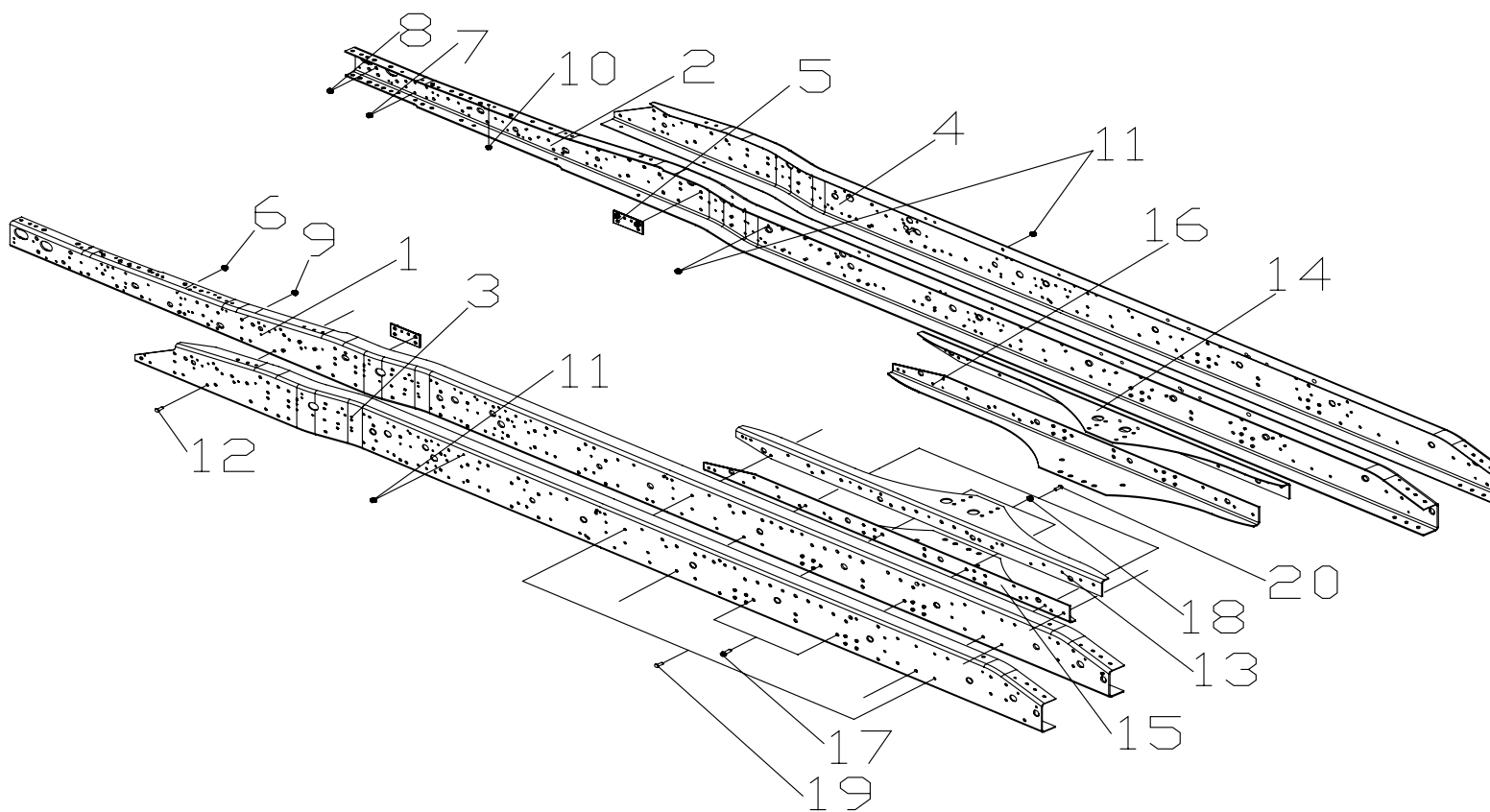
28-AN



序号 No.	件号 Part No.	数量 Quantity	名称 Name	规格 Specification	适用产品 Products Applied	备注 Remark
1	28AHDQ15-01621	1	左主纵梁 Main Side Member LH		三菱动力 MITSUBISHI Engine	
	28AH2DQ15-01621	1	左主纵梁 Main Side Member LH		斯太尔动力 STEYR Engine	
	28AH3DQ15-01621	1	左主纵梁 Main Side Member LH		五十铃动力 ISUZU Engine	
	28AH4DQ15-01621	1	左主纵梁 Main Side Member LH		康明斯动力 CUMMINS Engine	
2	28AHDQ15-01622	1	右主纵梁 Main Side Member RH		三菱动力 MITSUBISHI Engine	
	28AH2DQ15-01622	1	右主纵梁 Main Side Member RH		斯太尔动力 STEYR Engine	
	28AH3DQ15-01622	1	右主纵梁 Main Side Member RH		五十铃动力 ISUZU Engine	
	28AH4DQ15-01622	1	右主纵梁 Main Side Member RH		康明斯动力 CUMMINS Engine	
3	28AHDQ15-01637	1	左副纵梁 Sub Side Member LH		三菱动力 MITSUBISHI Engine	
	28AH2DQ15-01637	1	左副纵梁 Sub Side Member LH		斯太尔动力 STEYR Engine	
	28AH3DQ15-01637	1	左副纵梁 Sub Side Member LH		五十铃动力 ISUZU Engine	
	28AH4DQ15-01637	1	左副纵梁 Sub Side Member LH		康明斯动力 CUMMINS Engine	
4	28AHDQ15-01638	1	右副纵梁 Sub Side Member RH		三菱动力 MITSUBISHI Engine	
	28AH2DQ15-01638	1	右副纵梁 Sub Side Member RH		斯太尔动力 STEYR Engine	

28AH4DQ15 左右纵梁装配图 / 28AH4DQ15 LEFT AND RIGHT SIDE MEMBER

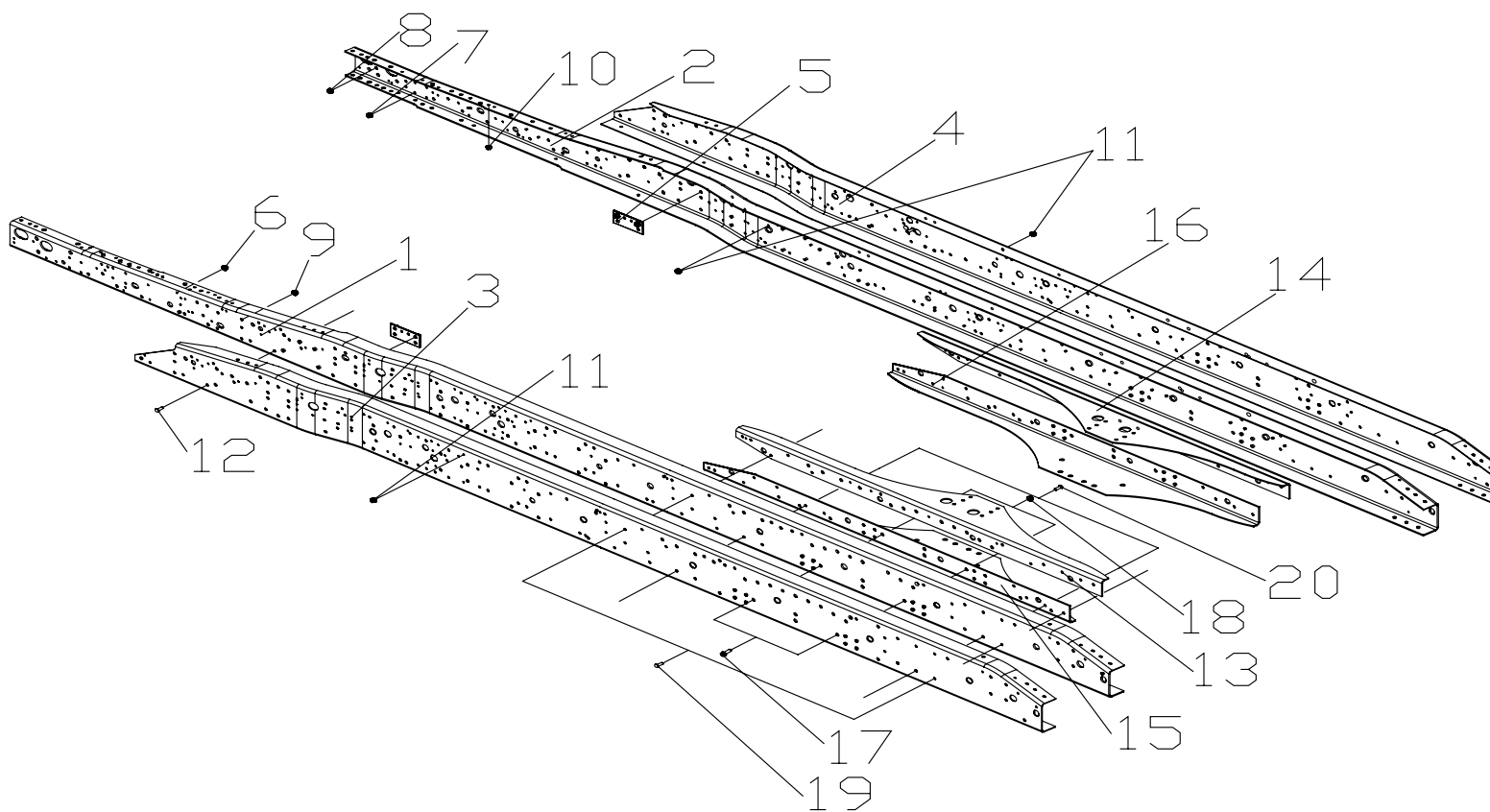
28-AN



序号 No.	件号 Part No.	数量 Quantity	名称 Name	规格 Specification	适用产品 Products Applied	备注 Remark
4	28AH3DQ15-01638	1	右副纵梁 Sub Side Member RH		五十铃动力 ISUZU Engine	
	28AH4DQ15-01638	1	右副纵梁 Sub Side Member RH		康明斯动力 CUMMINS Engine	
5	28AD-01030	2	固定用加强板总成 - 龙门架梁 Stiffening Panel Assembly For Fixing-Gantry Beam			
6	Q340B08T13F2	2/3	I 型六角螺母 Hexagon Full Nut			左 / 右 L/R
7	Q341B10T13F2	9/9	I 型六角螺母 (M10×1) Hexagon Full Nut(M10×1)			左 / 右 L/R
8	Q341B12T13F2	3	I 型六角螺母 (M12×1.25) Hexagon Full Nut(M12×1.25)			右 R
9	Q341B14T13F2	3/1	I 型六角螺母 (M14×1.5) Hexagon Full Nut(M14×1.5)			左 / 右 L/R
10	Q33008T13F2	1	全金属六角法兰面锁紧螺母 All-Metal Hexagon Lock Nut With Flange			右 R
11	Q33010T13F2	1/2	全金属六角法兰面锁紧螺母 (M10×1) All-Metal Hexagon Lock Nut With Flange(M10×1)			左 / 右 L/R
12	Q4501234	19/19	半圆头铆钉 Half-Round Head Rivet			左 / 右 L/R
13	28ADQ-01047	1	左上加强板 - 纵梁 Upper Stiffening Panel LH-Side Member			
14	28ADQ-01048	1	右上加强板 - 纵梁 Upper Stiffening Panel RH-Side Member			
15	28AD1-01057	1	左下加强板 - 纵梁 Lower Stiffening Panel LH-Side Member			

28AH4DQ15 左右纵梁装配图 / 28AH4DQ15 LEFT AND RIGHT SIDE MEMBER

28-AN



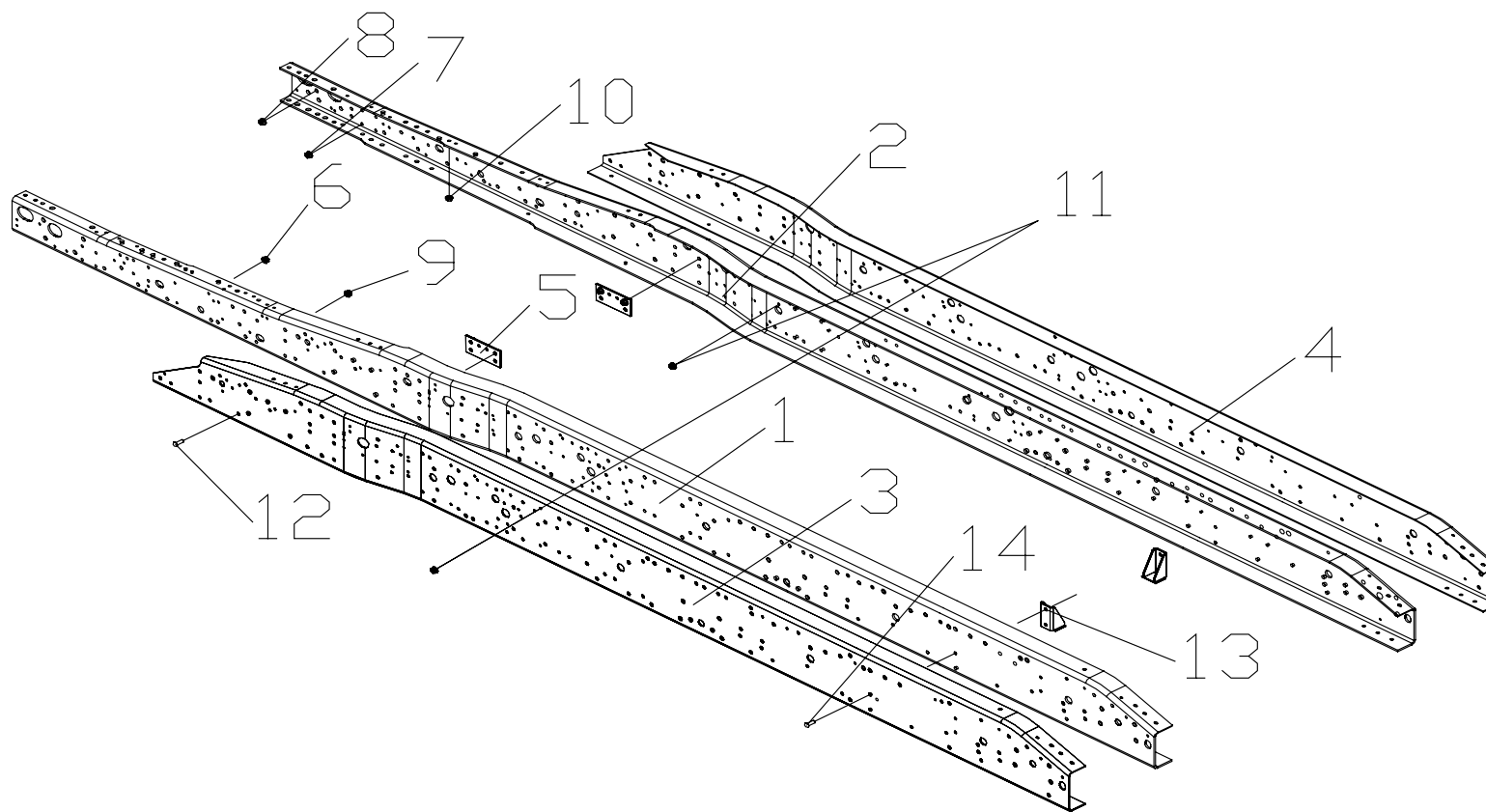
车架系统 / FRAME SYSTEM

28-152

序号 No.	件号 Part No.	数量 Quantity	名称 Name	规格 Specification	适用产品 Products Applied	备注 Remark
16	28AD1-01058	1	右下加强板 - 纵梁 Lower Stiffening Panel RH-Side Member			
17	HQ1841645TF2	6/6	六角法兰面螺栓 (M16×1.5) Hexagon Bolt With Flange(M16×1.5)			左 / 右 L/R
18	HQ320B16T13F2	6/6	六角法兰面螺母 (M16×1.5) Hexagon Nut With Flange(M16×1.5)			左 / 右 L/R
19	Q4501240	19/19	半圆头铆钉 Half-Round Head Rivet			左 / 右 L/R
20	Q4501242	8/8	半圆头铆钉 Half-Round Head Rivet			左 / 右 L/R

28AH4DQ1 左右纵梁装配图 / 28AH4DQ1 LEFT AND RIGHT SIDE MEMBER

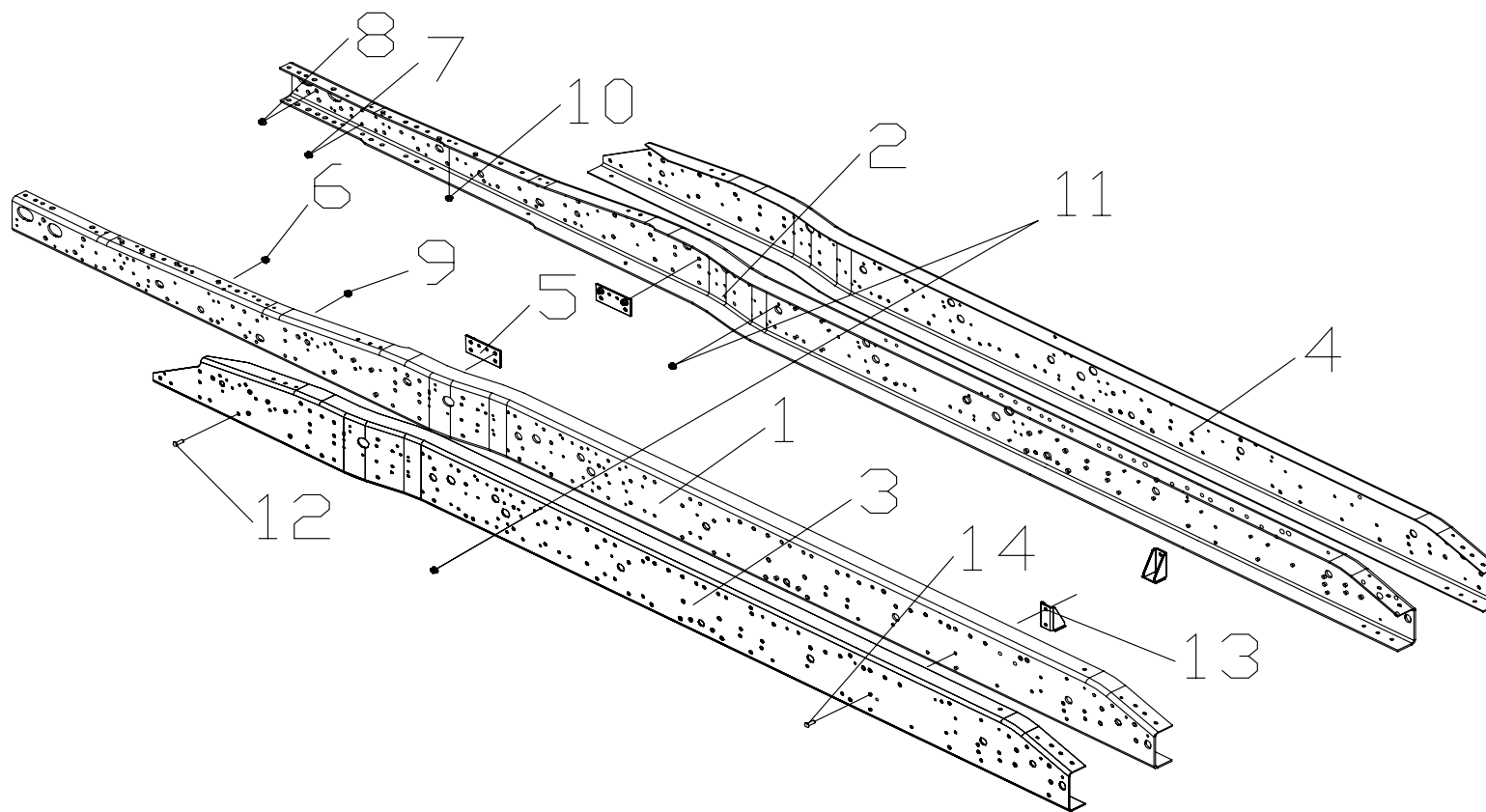
28-A0



序号 No.	件号 Part No.	数量 Quantity	名称 Name	规格 Specification	适用产品 Products Applied	备注 Remark
1	28AHDQ1-01621	1	左主纵梁 Main Side Member LH		三菱动力 MITSUBISHI Engine	
	28AH2DQ1-01621	1	左主纵梁 Main Side Member LH		斯太尔动力 STEYR Engine	
	28AH3DQ1-01621	1	左主纵梁 Main Side Member LH		五十铃动力 ISUZU Engine	
	28AH4DQ1-01621	1	左主纵梁 Main Side Member LH		康明斯动力 CUMMINS Engine	
2	28AHDQ1-01622	1	右主纵梁 Main Side Member RH		三菱动力 MITSUBISHI Engine	
	28AH2DQ1-01622	1	右主纵梁 Main Side Member RH		斯太尔动力 STEYR Engine	
	28AH3DQ1-01622	1	右主纵梁 Main Side Member RH		五十铃动力 ISUZU Engine	
	28AH4DQ1-01622	1	右主纵梁 Main Side Member RH		康明斯动力 CUMMINS Engine	
3	28AHDQ1-01637	1	左副纵梁 Sub Side Member LH		三菱动力 MITSUBISHI Engine	
	28AH2DQ1-01637	1	左副纵梁 Sub Side Member LH		斯太尔动力 STEYR Engine	
	28AH3DQ1-01637	1	左副纵梁 Sub Side Member LH		五十铃动力 ISUZU Engine	
	28AH4DQ1-01637	1	左副纵梁 Sub Side Member LH		康明斯动力 CUMMINS Engine	
4	28AHDQ1-01638	1	右副纵梁 Sub Side Member RH		三菱动力 MITSUBISHI Engine	
	28AH2DQ1-01638	1	右副纵梁 Sub Side Member RH		斯太尔动力 STEYR Engine	

28AH4DQ1 左右纵梁装配图 / 28AH4DQ1 LEFT AND RIGHT SIDE MEMBER

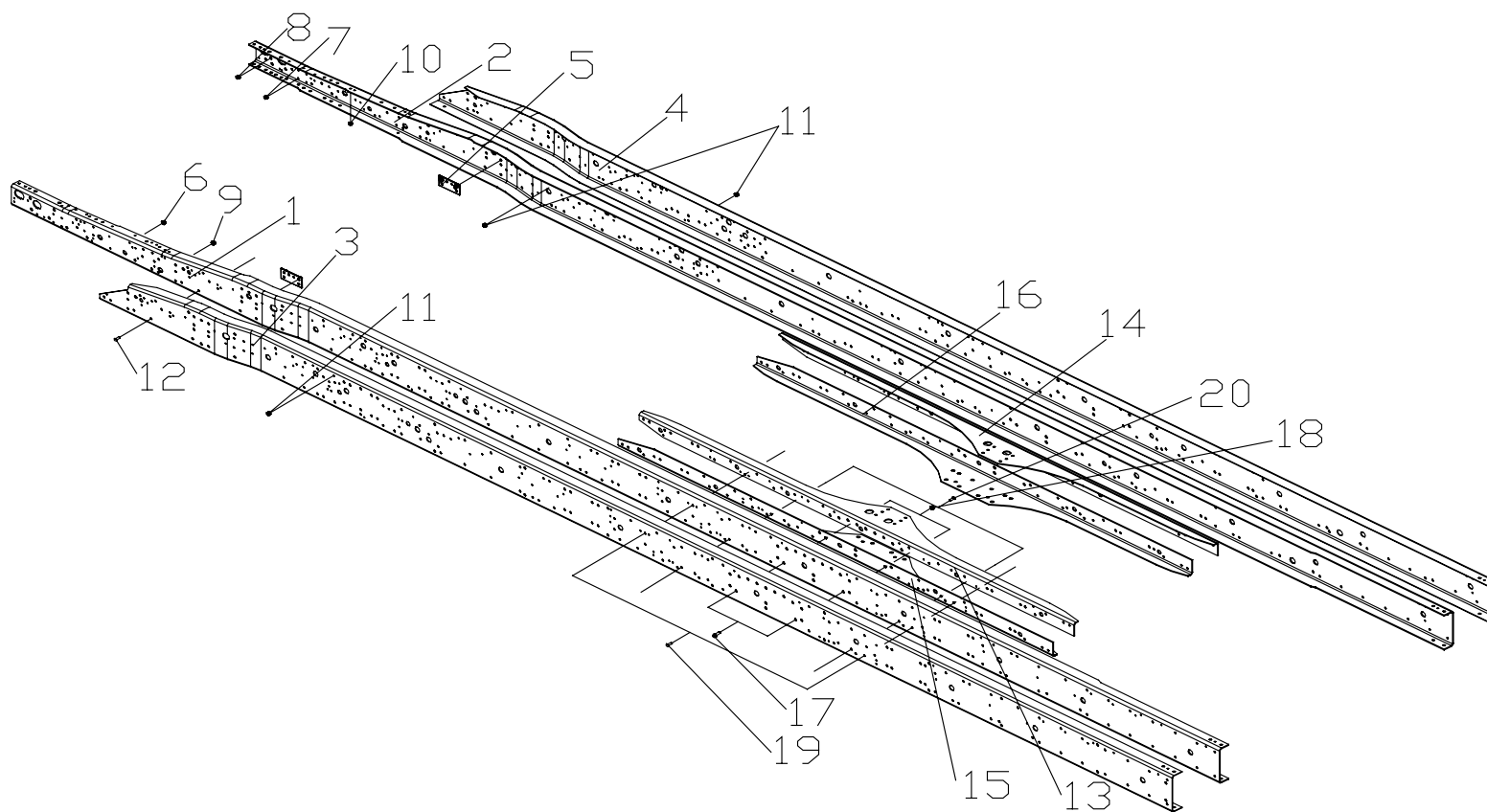
28-A0



序号 No.	件号 Part No.	数量 Quantity	名称 Name	规格 Specification	适用产品 Products Applied	备注 Remark
4	28AH3DQ1-01638	1	右副纵梁 Sub Side Member RH		五十铃动力 ISUZU Engine	
	28AH4DQ1-01638	1	右副纵梁 Sub Side Member RH		康明斯动力 CUMMINS Engine	
5	28AD-01030	2	固定用加强板总成 - 龙门架梁 Stiffening Panel Assembly For Fixing-Gantry Beam			
6	Q340B08T13F2	2/3	I 型六角螺母 Hexagon Full Nut			左 / 右 L/R
7	Q341B10T13F2	9/9	I 型六角螺母 (M10×1) Hexagon Full Nut(M10×1)			左 / 右 L/R
8	Q341B12T13F2	3	I 型六角螺母 (M12×1.25) Hexagon Full Nut(M12×1.25)			右 R
9	Q341B14T13F2	1/1	I 型六角螺母 (M14×1.5) Hexagon Full Nut(M14×1.5)			左 / 右 L/R
10	Q33008T13F2	1	全金属六角法兰面锁紧螺母 All-Metal Hexagon Lock Nut With Flange			右 R
11	Q33010T13F2	1/1	全金属六角法兰面锁紧螺母 (M10×1) All-Metal Hexagon Lock Nut With Flange(M10×1)			左 / 右 L/R
12	Q4501234	21/20	半圆头铆钉 Half-Round Head Rivet			左 / 右 L/R
13	29ADQ1-04210	2	右后加强支架 B 总成 - 限位块 Rear Stiffening Panel Bracket B Assembly RH-Limiting Stopper			
14	Q4501240	4	半圆头铆钉 Half-Round Head Rivet			

28AH4DP 左右纵梁装配图 / 28AH4DP LEFT AND RIGHT SIDE MEMBER

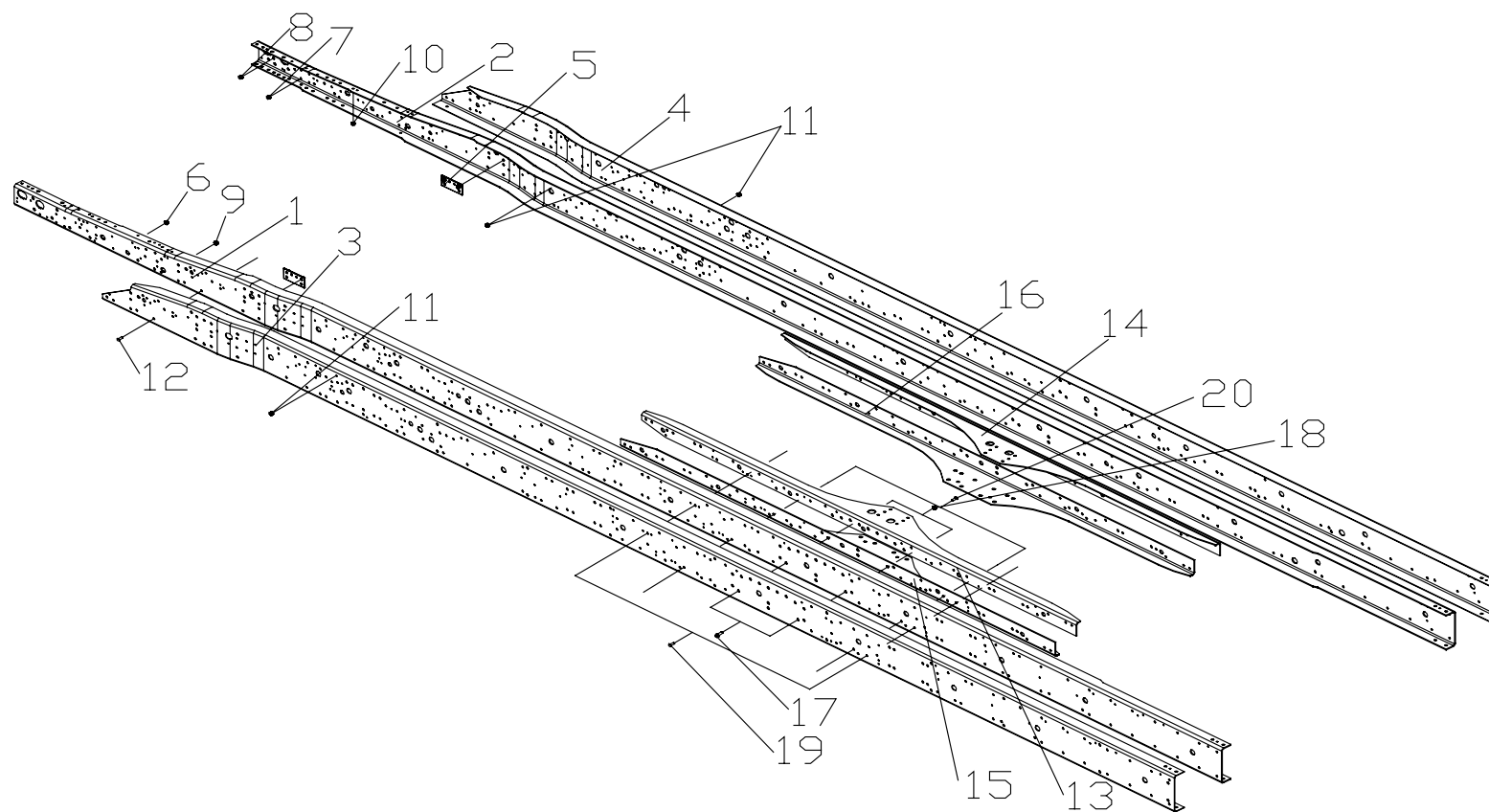
28-AP



序号 No.	件号 Part No.	数量 Quantity	名称 Name	规格 Specification	适用产品 Products Applied	备注 Remark
1	28AHDP-01621	1	左主纵梁 Main Side Member LH		三菱动力 MITSUBISHI Engine	
	28AH2DP-01621	1	左主纵梁 Main Side Member LH		斯太尔动力 STEYR Engine	
	28AH3DP-01621	1	左主纵梁 Main Side Member LH		五十铃动力 ISUZU Engine	
	28AH4DP-01621	1	左主纵梁 Main Side Member LH		康明斯动力 CUMMINS Engine	
2	28AHDP-01622	1	右主纵梁 Main Side Member RH		三菱动力 MITSUBISHI Engine	
	28AH2DP-01622	1	右主纵梁 Main Side Member RH		斯太尔动力 STEYR Engine	
	28AH3DP-01622	1	右主纵梁 Main Side Member RH		五十铃动力 ISUZU Engine	
	28AH4DP-01622	1	右主纵梁 Main Side Member RH		康明斯动力 CUMMINS Engine	
3	28AHDP-01637	1	左副纵梁 Sub Side Member LH		三菱动力 MITSUBISHI Engine	
	28AH2DP-01637	1	左副纵梁 Sub Side Member LH		斯太尔动力 STEYR Engine	
	28AH3DP-01637	1	左副纵梁 Sub Side Member LH		五十铃动力 ISUZU Engine	
	28AH4DP-01637	1	左副纵梁 Sub Side Member LH		康明斯动力 CUMMINS Engine	
4	28AHDP-01638	1	右副纵梁 Sub Side Member RH		三菱动力 MITSUBISHI Engine	
	28AH2DP-01638	1	右副纵梁 Sub Side Member RH		斯太尔动力 STEYR Engine	

28AH4DP 左右纵梁装配图 / 28AH4DP LEFT AND RIGHT SIDE MEMBER

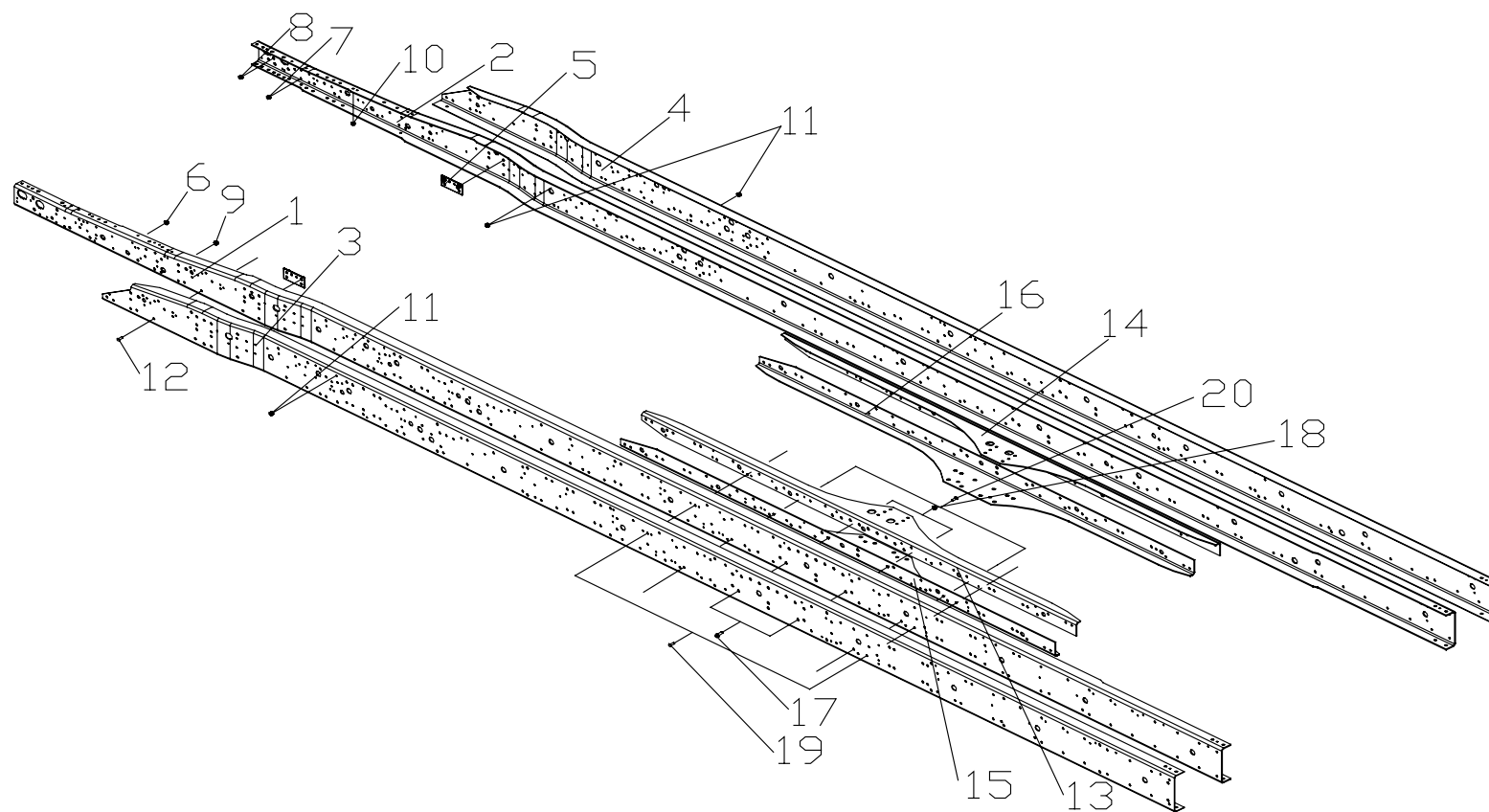
28-AP



序号 No.	件号 Part No.	数量 Quantity	名称 Name	规格 Specification	适用产品 Products Applied	备注 Remark
4	28AH3DP-01638	1	右副纵梁 Sub Side Member RH		五十铃动力 ISUZU Engine	
	28AH4DP-01638	1	右副纵梁 Sub Side Member RH		康明斯动力 CUMMINS Engine	
5	28AD-01030	2	固定用加强板总成 - 龙门架梁 Stiffening Panel Assembly For Fixing-Gantry Beam			
6	Q340B08T13F2	2/3	I 型六角螺母 Hexagon Full Nut			左 / 右 L/R
7	Q341B10T13F2	9/9	I 型六角螺母 (M10×1) Hexagon Full Nut(M10×1)			左 / 右 L/R
8	Q341B12T13F2	3	I 型六角螺母 (M12×1.25) Hexagon Full Nut(M12×1.25)			右 R
9	Q341B14T13F2	1/1	I 型六角螺母 (M14×1.5) Hexagon Full Nut(M14×1.5)			左 / 右 L/R
10	Q33008T13F2	1	全金属六角法兰面锁紧螺母 All-Metal Hexagon Lock Nut With Flange			右 R
11	Q33010T13F2	1/2	全金属六角法兰面锁紧螺母 (M10×1) All-Metal Hexagon Lock Nut With Flange(M10×1)			左 / 右 L/R
12	Q4501234	39/34	半圆头铆钉 Half-Round Head Rivet			左 / 右 L/R
13	28ADP-01047	1	左上加强板 - 纵梁 Upper Stiffening Panel LH-Side Member			
14	28ADP-01058	1	右上加强板 - 纵梁 Upper Stiffening Panel RH-Side Member			
15	28ADP-01057	1	左下加强板 - 纵梁 Lower Stiffening Panel LH-Side Member			

28AH4DP 左右纵梁装配图 / 28AH4DP LEFT AND RIGHT SIDE MEMBER

28-AP



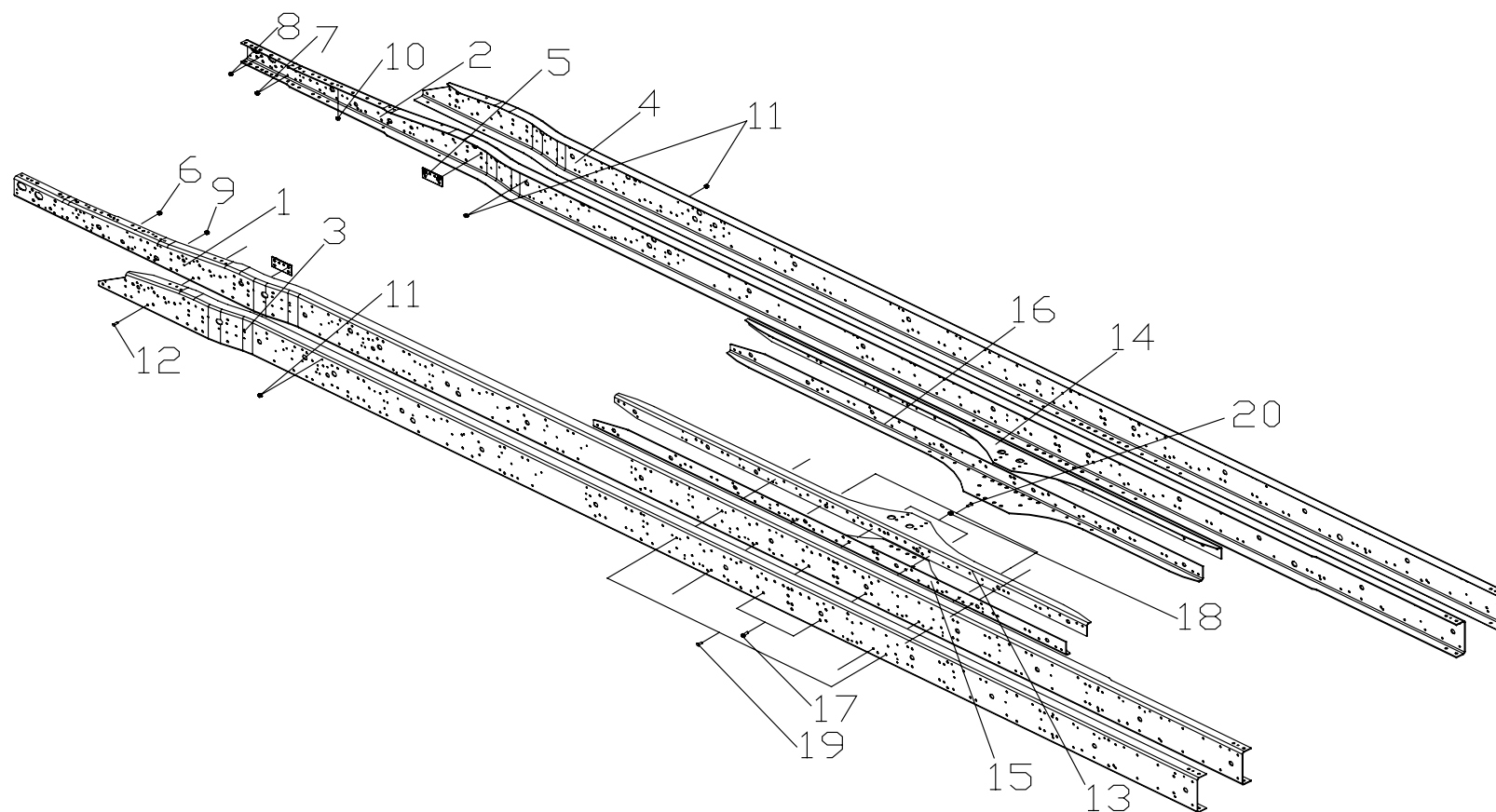
车架系统 / FRAME SYSTEM

28-162

序号 No.	件号 Part No.	数量 Quantity	名称 Name	规格 Specification	适用产品 Products Applied	备注 Remark
16	28ADP-01058	1	右下加强板 - 纵梁 Lower Stiffening Panel RH-Side Member			
17	HQ1841645TF2	6/6	六角法兰面螺栓 (M16×1.5) Hexagon Bolt With Flange(M16×1.5)			左 / 右 L/R
18	HQ320B16T13F2	6/6	六角法兰面螺母 (M16×1.5) Hexagon Nut With Flange(M16×1.5)			左 / 右 L/R
19	Q4501240	31/30	半圆头铆钉 Half-Round Head Rivet			左 / 右 L/R
20	Q4501242	8/8	半圆头铆钉 Half-Round Head Rivet			左 / 右 L/R

28AH4DP1 左右纵梁装配图 / 28AH4DP1 LEFT AND RIGHT SIDE MEMBER

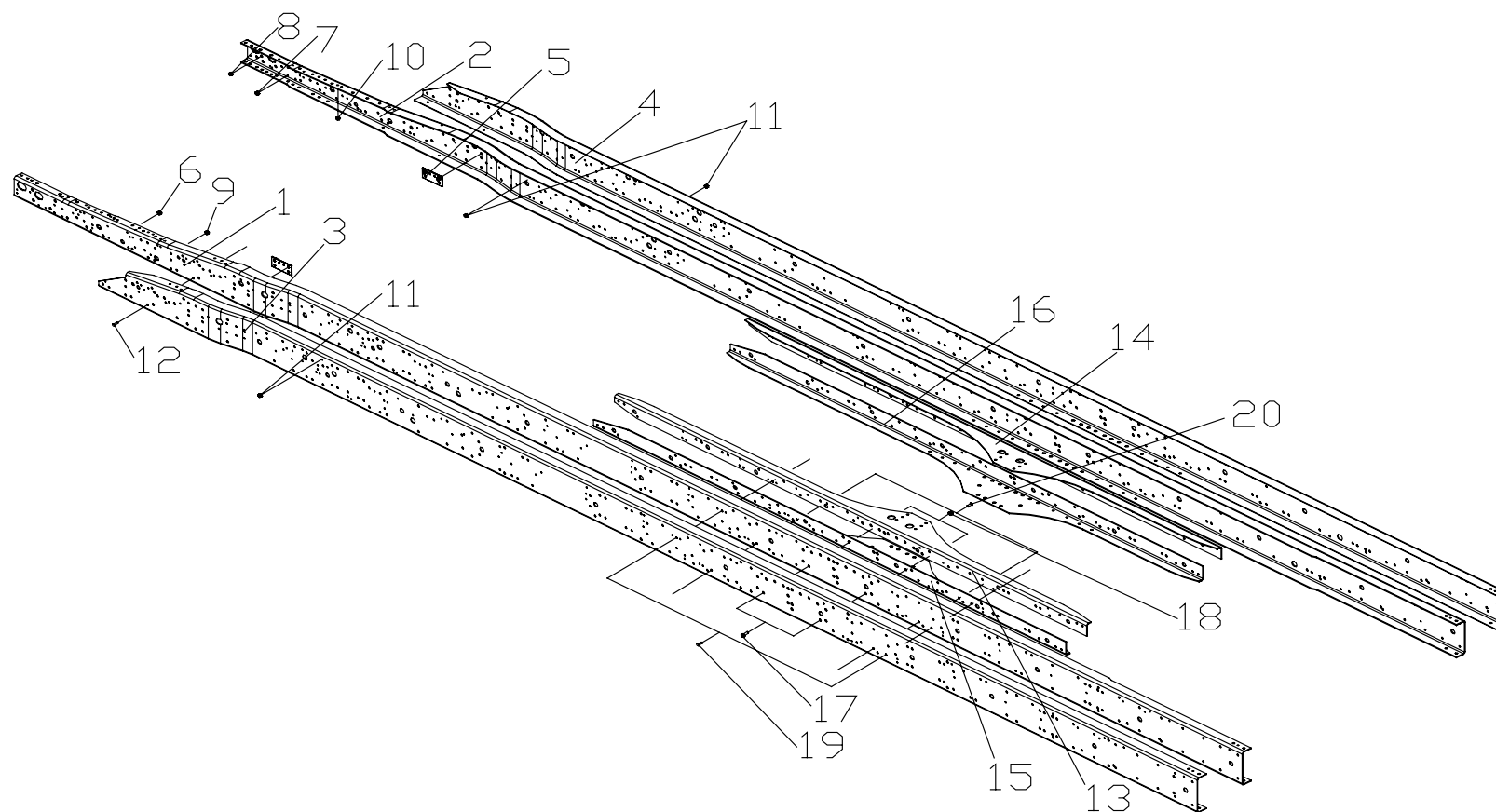
28-AQ



序号 No.	件号 Part No.	数量 Quantity	名称 Name	规格 Specification	适用产品 Products Applied	备注 Remark
1	28AHDP1-01621	1	左主纵梁 Main Side Member LH		三菱动力 MITSUBISHI Engine	
	28AH2DP1-01621	1	左主纵梁 Main Side Member LH		斯太尔动力 STEYR Engine	
	28AH3DP1-01621	1	左主纵梁 Main Side Member LH		五十铃动力 ISUZU Engine	
	28AH4DP1-01621	1	左主纵梁 Main Side Member LH		康明斯动力 CUMMINS Engine	
2	28AHDP1-01622	1	右主纵梁 Main Side Member RH		三菱动力 MITSUBISHI Engine	
	28AH2DP1-01622	1	右主纵梁 Main Side Member RH		斯太尔动力 STEYR Engine	
	28AH3DP1-01622	1	右主纵梁 Main Side Member RH		五十铃动力 ISUZU Engine	
	28AH4DP1-01622	1	右主纵梁 Main Side Member RH		康明斯动力 CUMMINS Engine	
3	28AHDP1-01637	1	左副纵梁 Sub Side Member LH		三菱动力 MITSUBISHI Engine	
	28AH2DP1-01637	1	左副纵梁 Sub Side Member LH		斯太尔动力 STEYR Engine	
	28AH3DP1-01637	1	左副纵梁 Sub Side Member LH		五十铃动力 ISUZU Engine	
	28AH4DP1-01637	1	左副纵梁 Sub Side Member LH		康明斯动力 CUMMINS Engine	
4	28AHDP1-01638	1	右副纵梁 Sub Side Member RH		三菱动力 MITSUBISHI Engine	
	28AH2DP1-01638	1	右副纵梁 Sub Side Member RH		斯太尔动力 STEYR Engine	

28AH4DP1 左右纵梁装配图 / 28AH4DP1 LEFT AND RIGHT SIDE MEMBER

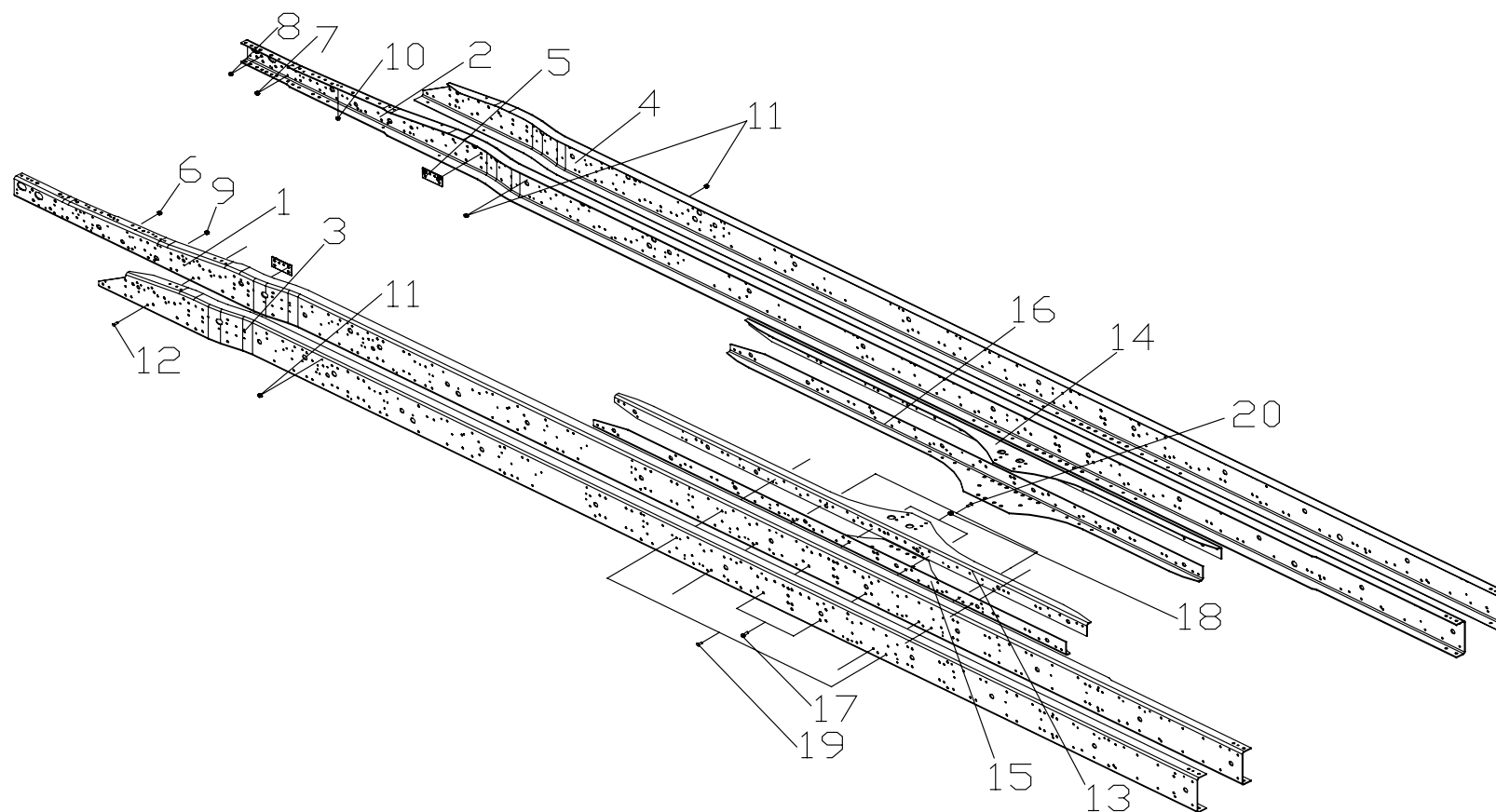
28-AQ



序号 No.	件号 Part No.	数量 Quantity	名称 Name	规格 Specification	适用产品 Products Applied	备注 Remark
4	28AH3DP1-01638	1	右副纵梁 Sub Side Member RH		五十铃动力 ISUZU Engine	
	28AH4DP1-01638	1	右副纵梁 Sub Side Member RH		康明斯动力 CUMMINS Engine	
5	28AD-01030	2	固定用加强板总成 - 龙门架梁 Stiffening Panel Assembly For Fixing-Gantry Beam			
6	Q340B08T13F2	2/3	I 型六角螺母 Hexagon Full Nut			左 / 右 L/R
7	Q341B10T13F2	9/9	I 型六角螺母 (M10×1) Hexagon Full Nut(M10×1)			左 / 右 L/R
8	Q341B12T13F2	3	I 型六角螺母 (M12×1.25) Hexagon Full Nut(M12×1.25)			右 R
9	Q341B14T13F2	1/1	I 型六角螺母 (M14×1.5) Hexagon Full Nut(M14×1.5)			左 / 右 L/R
10	Q33008T13F2	1	全金属六角法兰面锁紧螺母 All-Metal Hexagon Lock Nut With Flange			右 R
11	Q33010T13F2	1/2	全金属六角法兰面锁紧螺母 (M10×1) All-Metal Hexagon Lock Nut With Flange(M10×1)			左 / 右 L/R
12	Q4501234	35/36	半圆头铆钉 Half-Round Head Rivet			左 / 右 L/R
13	28ADP1-01047	1	左上加强板 - 纵梁 Upper Stiffening Panel LH-Side Member			
14	28ADP1-01048	1	右上加强板 - 纵梁 Upper Stiffening Panel RH-Side Member			
15	28ADP1-01057	1	左下加强板 - 纵梁 Lower Stiffening Panel LH-Side Member			

28AH4DP1 左右纵梁装配图 / 28AH4DP1 LEFT AND RIGHT SIDE MEMBER

28-AQ



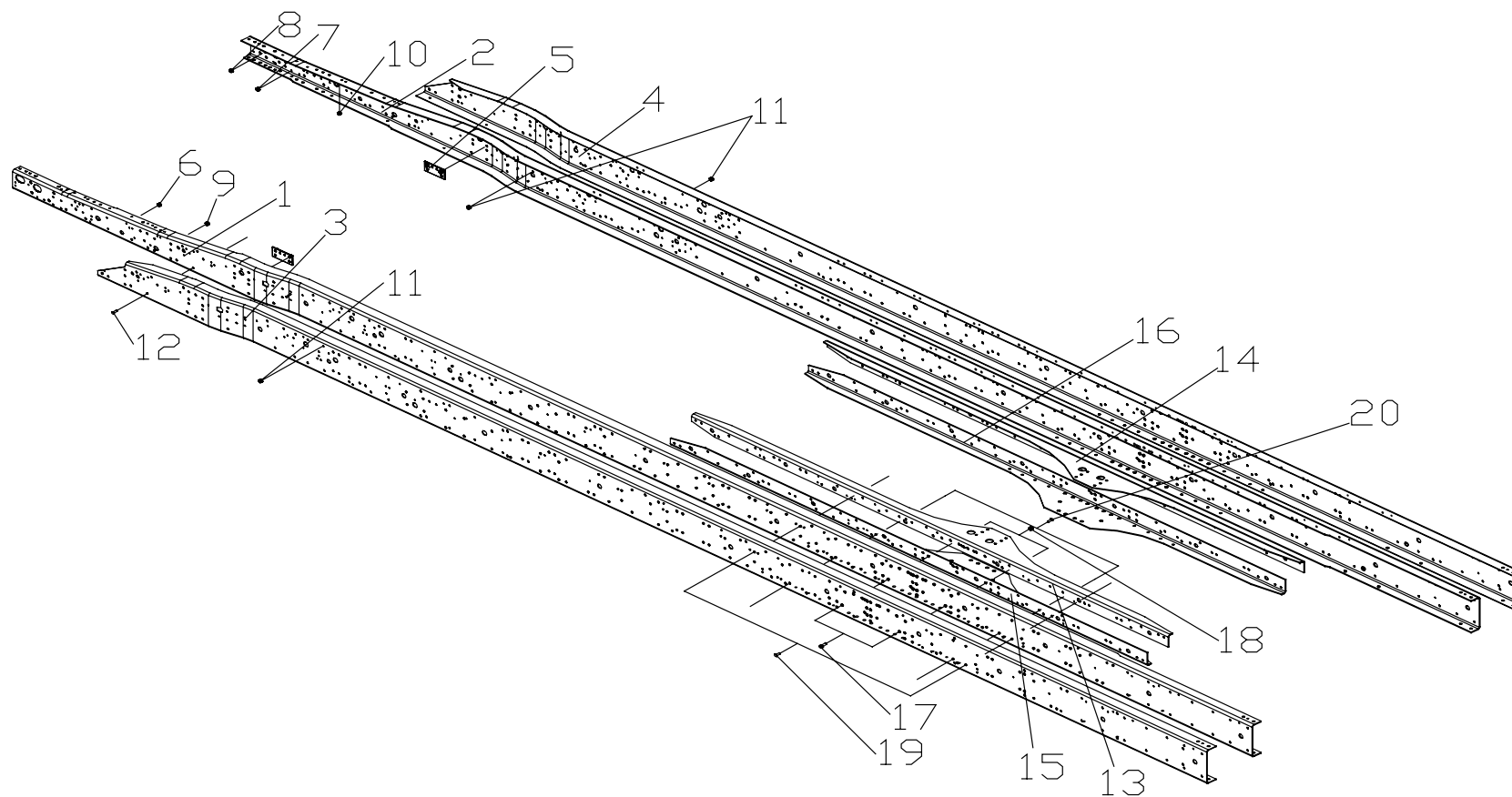
车架系统 / FRAME SYSTEM

28-168

序号 No.	件号 Part No.	数量 Quantity	名称 Name	规格 Specification	适用产品 Products Applied	备注 Remark
16	28ADP1-01058	1	右下加强板 - 纵梁 Lower Stiffening Panel RH-Side Member			
17	HQ1841645TF2	6/6	六角法兰面螺栓 (M16×1.5) Hexagon Bolt With Flange(M16×1.5)			左 / 右 L/R
18	HQ320B16T13F2	6/6	六角法兰面螺母 (M16×1.5) Hexagon Nut With Flange(M16×1.5)			左 / 右 L/R
19	Q4501240	33/32	半圆头铆钉 Half-Round Head Rivet			左 / 右 L/R
20	29AD-04210	4	右后加强板支架 B 总成 - 限位块 Rear Stiffening Panel Bracket B Assembly RH- Limiting Stopper			
21	Q4501242	8/8	半圆头铆钉 Half-Round Head Rivet			左 / 右 L/R

28AH4DP9 左右纵梁装配图 / 28AH4DP9 LEFT AND RIGHT SIDE MEMBER

28-AR



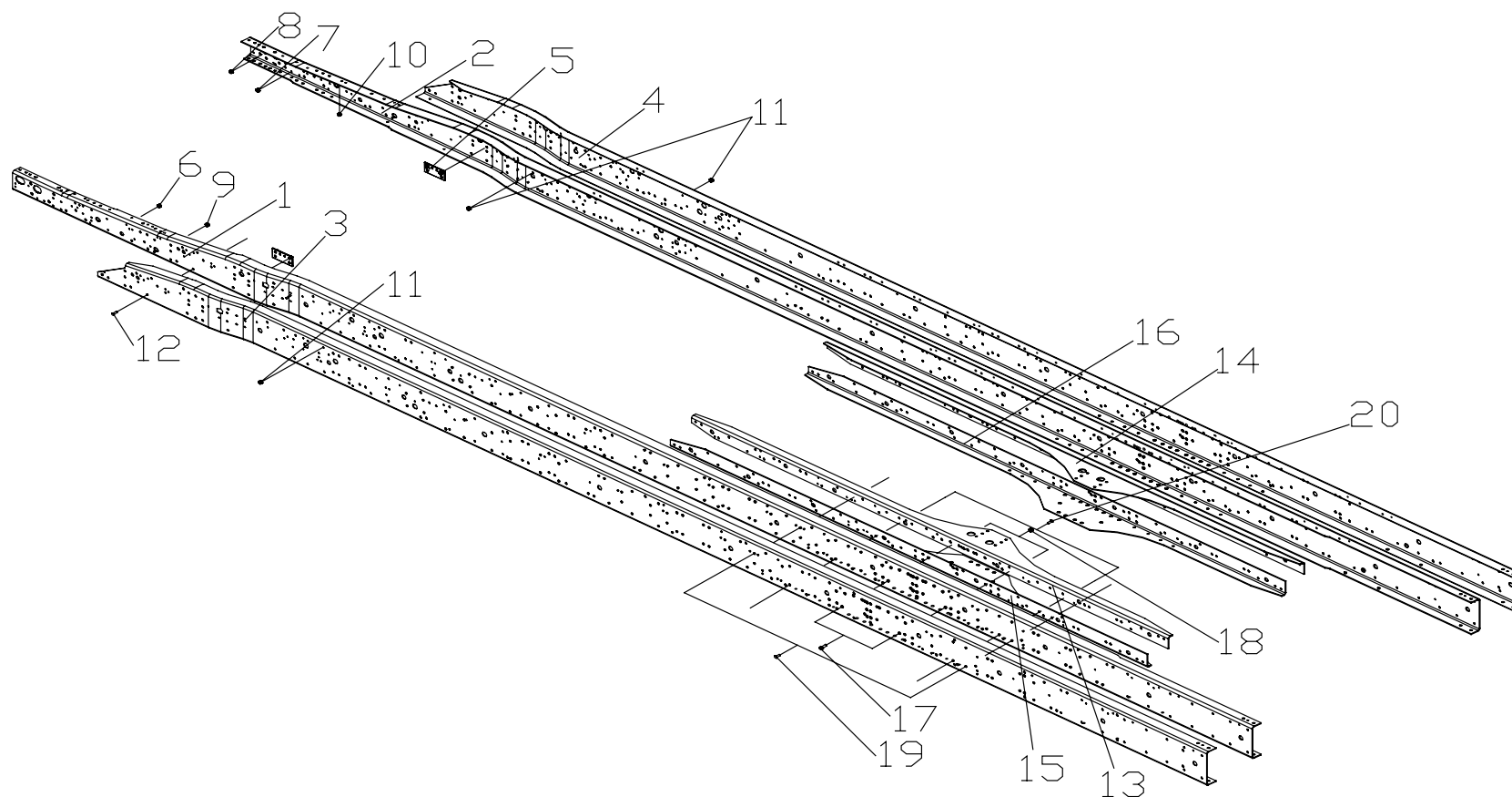
车架系统 / FRAME SYSTEM

28-170

序号 No.	件号 Part No.	数量 Quantity	名称 Name	规格 Specification	适用产品 Products Applied	备注 Remark
1	28AHDP9-01621	1	左主纵梁 Main Side Member LH		三菱动力 MITSUBISHI Engine	
	28AH2DP9-01621	1	左主纵梁 Main Side Member LH		斯太尔动力 STEYR Engine	
	28AH3DP9-01621	1	左主纵梁 Main Side Member LH		五十铃动力 ISUZU Engine	
	28AH4DP9-01621	1	左主纵梁 Main Side Member LH		康明斯动力 CUMMINS Engine	
2	28AHDP9-01622	1	右主纵梁 Main Side Member RH		三菱动力 MITSUBISHI Engine	
	28AH2DP9-01622	1	右主纵梁 Main Side Member RH		斯太尔动力 STEYR Engine	
	28AH3DP9-01622	1	右主纵梁 Main Side Member RH		五十铃动力 ISUZU Engine	
	28AH4DP9-01622	1	右主纵梁 Main Side Member RH		康明斯动力 CUMMINS Engine	
3	28AHDP9-01637	1	左副纵梁 Sub Side Member LH		三菱动力 MITSUBISHI Engine	
	28AH2DP9-01637	1	左副纵梁 Sub Side Member LH		斯太尔动力 STEYR Engine	
	28AH3DP9-01637	1	左副纵梁 Sub Side Member LH		五十铃动力 ISUZU Engine	
	28AH4DP9-01637	1	左副纵梁 Sub Side Member LH		康明斯动力 CUMMINS Engine	
4	28AHDP9-01638	1	右副纵梁 Sub Side Member RH		三菱动力 MITSUBISHI Engine	
	28AH2DP9-01638	1	右副纵梁 Sub Side Member RH		斯太尔动力 STEYR Engine	

28AH4DP9 左右纵梁装配图 / 28AH4DP9 LEFT AND RIGHT SIDE MEMBER

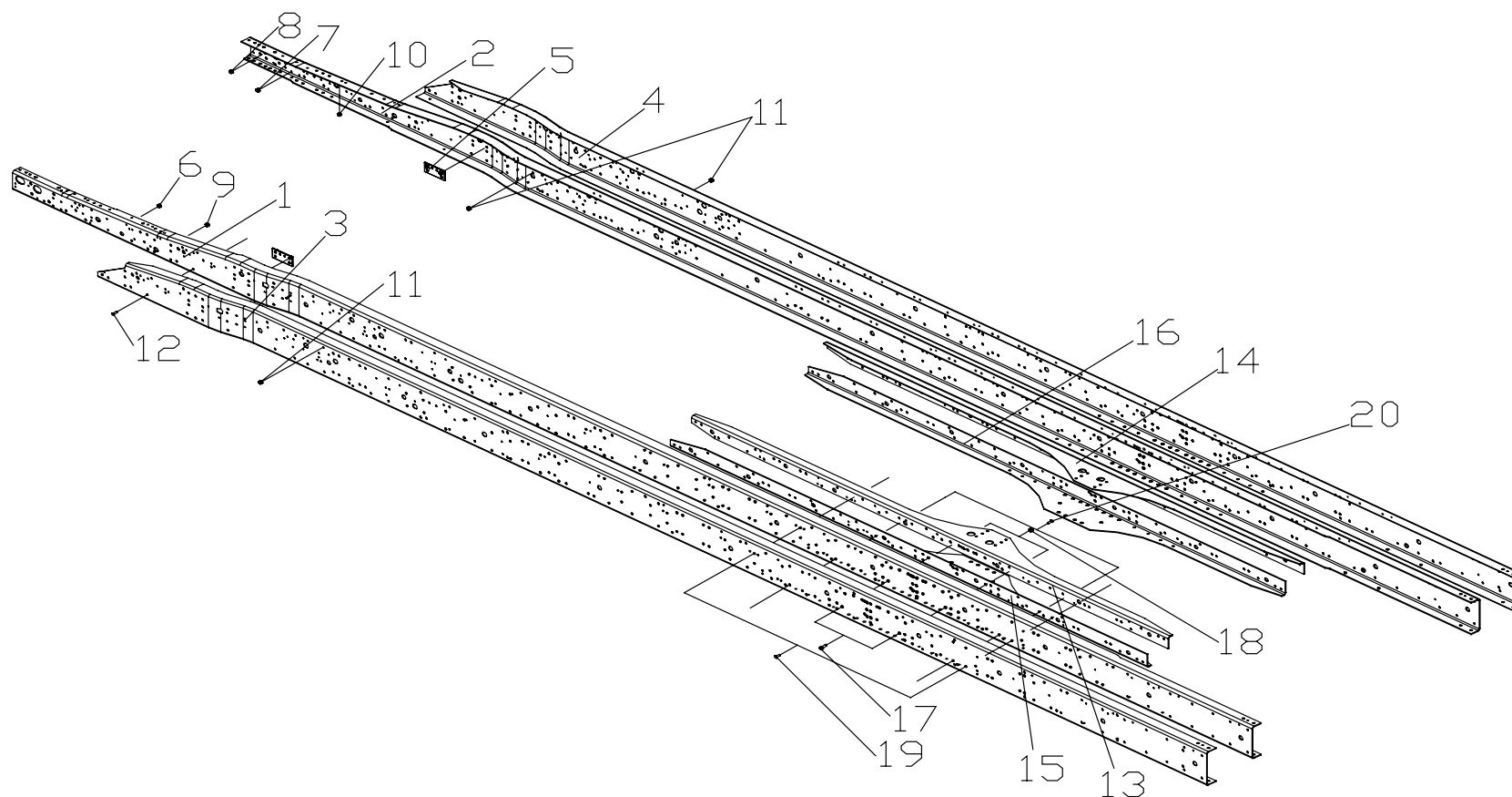
28-AR



序号 No.	件号 Part No.	数量 Quantity	名称 Name	规格 Specification	适用产品 Products Applied	备注 Remark
4	28AH3DP9-01638	1	右副纵梁 Sub Side Member RH		五十铃动力 ISUZU Engine	
	28AH4DP9-01638	1	右副纵梁 Sub Side Member RH		康明斯动力 CUMMINS Engine	
5	28AD-01030	2	固定用加强板总成 - 龙门架梁 Stiffening Panel Assembly For Fixing-Gantry Beam			
6	Q340B08T13F2	2/3	I 型六角螺母 Hexagon Full Nut			左 / 右 L/R
7	Q341B10T13F2	9/9	I 型六角螺母 (M10×1) Hexagon Full Nut(M10×1)			左 / 右 L/R
8	Q341B12T13F2	3	I 型六角螺母 (M12×1.25) Hexagon Full Nut(M12×1.25)			右 R
9	Q341B14T13F2	1/1	I 型六角螺母 (M14×1.5) Hexagon Full Nut(M14×1.5)			左 / 右 L/R
10	Q33008T13F2	1	全金属六角法兰面锁紧螺母 All-Metal Hexagon Lock Nut With Flange			右 R
11	Q33010T13F2	1/2	全金属六角法兰面锁紧螺母 (M10×1) All-Metal Hexagon Lock Nut With Flange(M10×1)			左 / 右 L/R
12	Q4501234	37/38	半圆头铆钉 Half-Round Head Rivet			左 / 右 L/R
13	28A4DP3-01047	1	左上加强板 - 纵梁 Upper Stiffening Panel LH-Side Member			
14	28A4DP3-01048	1	右上加强板 - 纵梁 Upper Stiffening Panel RH-Side Member			
15	28ADP9-01057	1	左下加强板 - 纵梁 Lower Stiffening Panel LH-Side Member			

28AH4DP9 左右纵梁装配图 / 28AH4DP9 LEFT AND RIGHT SIDE MEMBER

28-AR



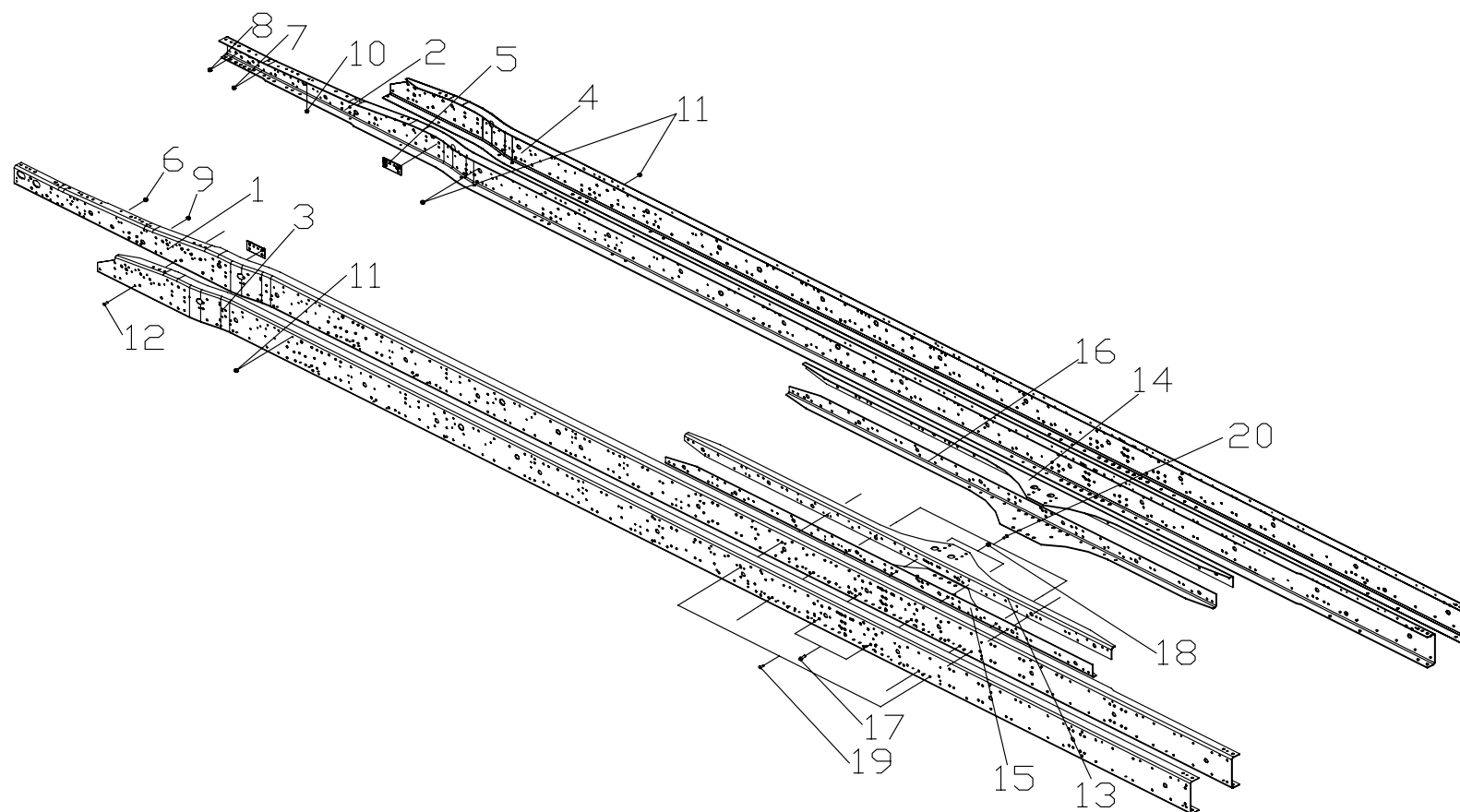
车架系统 / FRAME SYSTEM

28-174

序号 No.	件号 Part No.	数量 Quantity	名称 Name	规格 Specification	适用产品 Products Applied	备注 Remark
16	28ADP9-01058	1	右下加强板 - 纵梁 Lower Stiffening Panel RH-Side Member			
17	HQ1841645TF2	6/6	六角法兰面螺栓 (M16×1.5) Hexagon Bolt With Flange(M16×1.5)			左 / 右 L/R
18	HQ320B16T13F2	6/6	六角法兰面螺母 (M16×1.5) Hexagon Nut With Flange(M16×1.5)			左 / 右 L/R
19	Q4501240	43/41	半圆头铆钉 Half-Round Head Rivet			左 / 右 L/R
20	Q4501242	8/8	半圆头铆钉 Half-Round Head Rivet			左 / 右 L/R

28AH4DP3 左右纵梁装配图 / 28AH4DP3 LEFT AND RIGHT SIDE MEMBER

28-AS



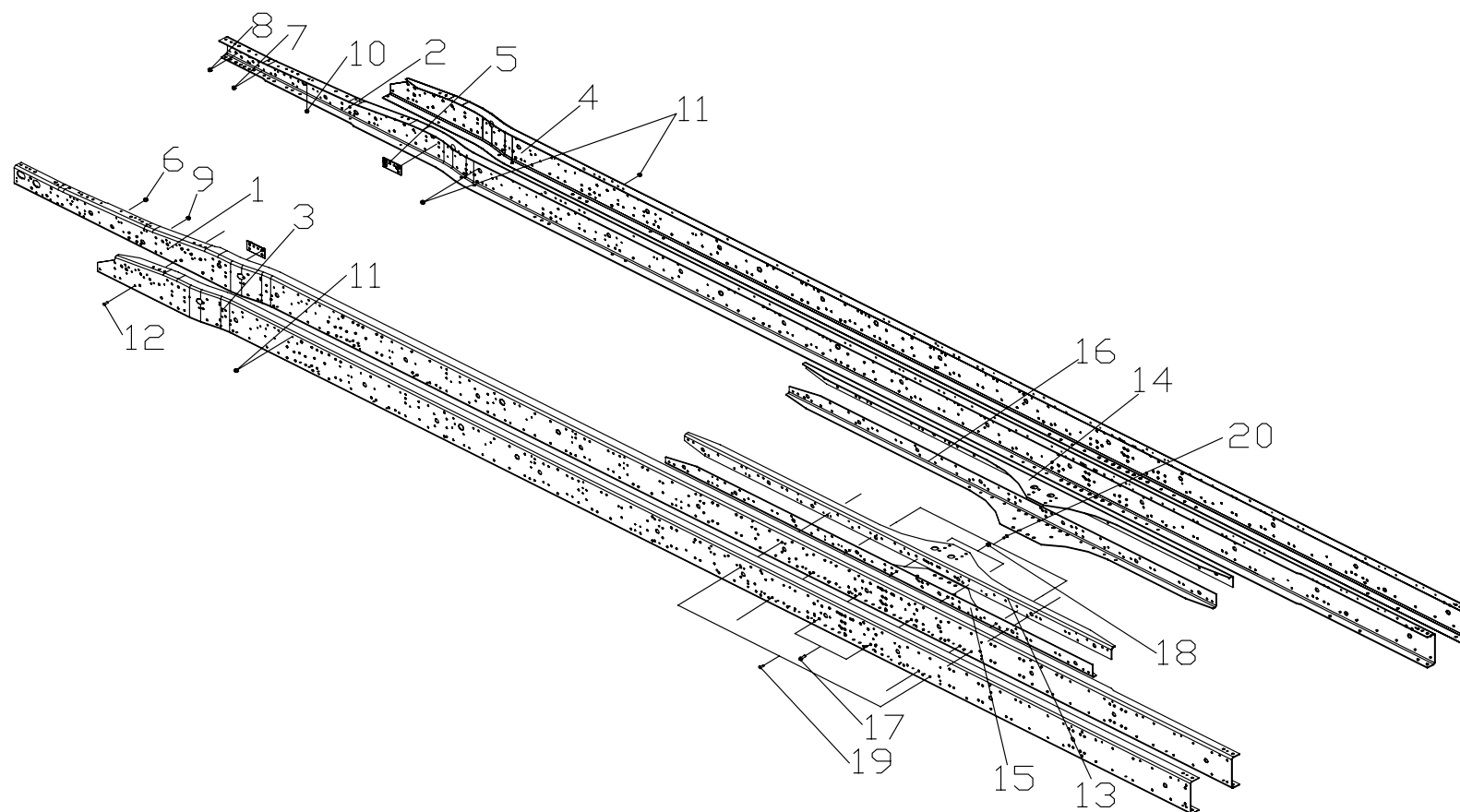
车架系统 / FRAME SYSTEM

28-176

序号 No.	件号 Part No.	数量 Quantity	名称 Name	规格 Specification	适用产品 Products Applied	备注 Remark
1	28AHDP3-01621	1	左主纵梁 Main Side Member LH		三菱动力 MITSUBISHI Engine	
	28AH2DP3-01621	1	左主纵梁 Main Side Member LH		斯太尔动力 STEYR Engine	
	28AH3DP3-01621	1	左主纵梁 Main Side Member LH		五十铃动力 ISUZU Engine	
	28AH4DP3-01621	1	左主纵梁 Main Side Member LH		康明斯动力 CUMMINS Engine	
2	28AHDP3-01622	1	右主纵梁 Main Side Member RH		三菱动力 MITSUBISHI Engine	
	28AH2DP3-01622	1	右主纵梁 Main Side Member RH		斯太尔动力 STEYR Engine	
	28AH3DP3-01622	1	右主纵梁 Main Side Member RH		五十铃动力 ISUZU Engine	
	28AH4DP3-01622	1	右主纵梁 Main Side Member RH		康明斯动力 CUMMINS Engine	
3	28AHDP3-01637	1	左副纵梁 Sub Side Member LH		三菱动力 MITSUBISHI Engine	
	28AH2DP3-01637	1	左副纵梁 Sub Side Member LH		斯太尔动力 STEYR Engine	
	28AH3DP3-01637	1	左副纵梁 Sub Side Member LH		五十铃动力 ISUZU Engine	
	28AH4DP3-01637	1	左副纵梁 Sub Side Member LH		康明斯动力 CUMMINS Engine	
4	28AHDP3-01638	1	右副纵梁 Sub Side Member RH		三菱动力 MITSUBISHI Engine	
	28AH2DP3-01638	1	右副纵梁 Sub Side Member RH		斯太尔动力 STEYR Engine	

28AH4DP3 左右纵梁装配图 / 28AH4DP3 LEFT AND RIGHT SIDE MEMBER

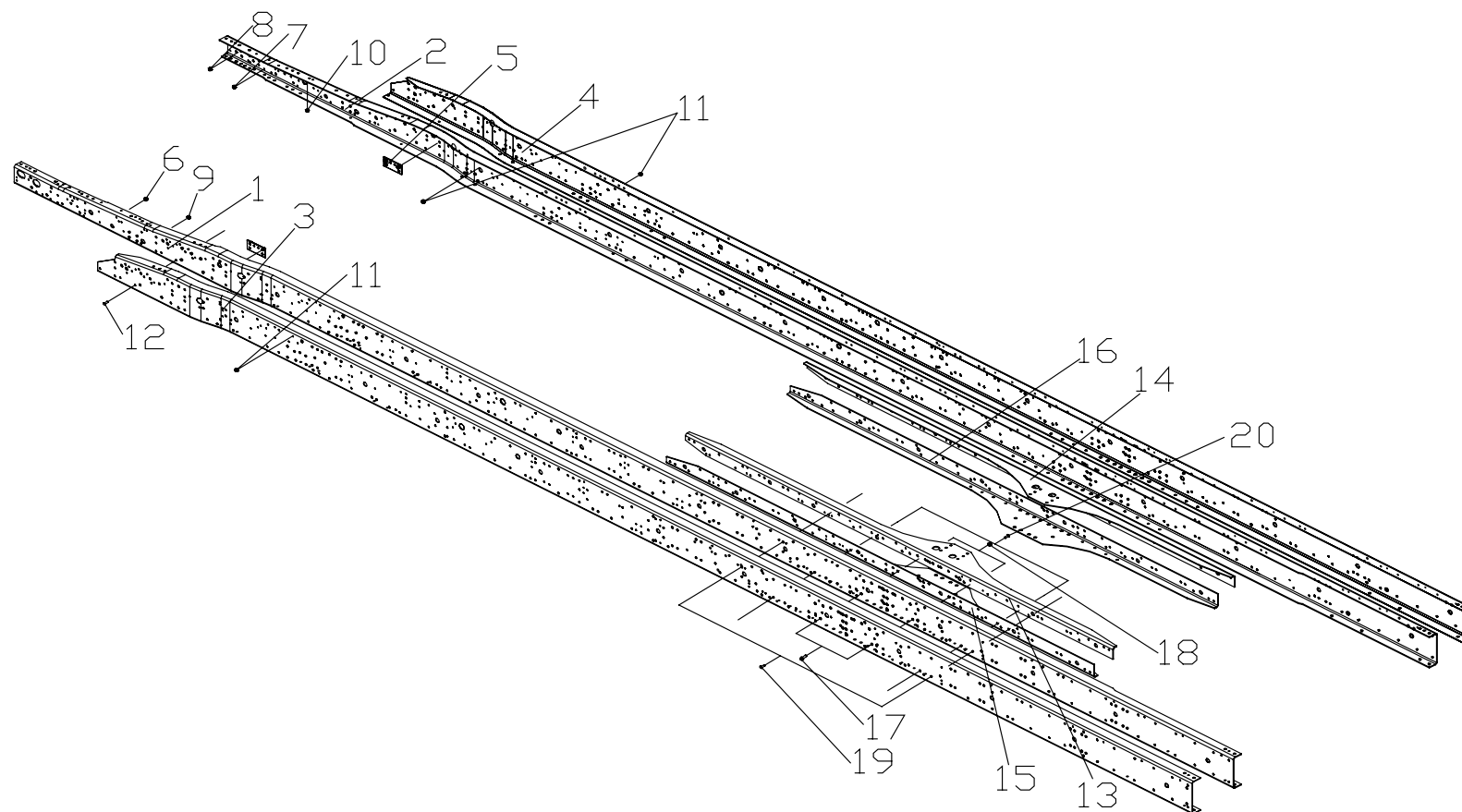
28-AS



序号 No.	件号 Part No.	数量 Quantity	名称 Name	规格 Specification	适用产品 Products Applied	备注 Remark
4	28AH3DP3-01638	1	右副纵梁 Sub Side Member RH		五十铃动力 ISUZU Engine	
	28AH4DP3-01638	1	右副纵梁 Sub Side Member RH		康明斯动力 CUMMINS Engine	
5	28AD-01030	2	固定用加强板总成 - 龙门架梁 Stiffening Panel Assembly For Fixing-Gantry Beam			
6	Q340B08T13F2	2/3	I 型六角螺母 Hexagon Full Nut			左 / 右 L/R
7	Q341B10T13F2	9/9	I 型六角螺母 (M10×1) Hexagon Full Nut(M10×1)			左 / 右 L/R
8	Q341B12T13F2	3	I 型六角螺母 (M12×1.25) Hexagon Full Nut(M12×1.25)			右 R
9	Q341B14T13F2	3/4	I 型六角螺母 (M14×1.5) Hexagon Full Nut(M14×1.5)			左 / 右 L/R
10	Q33008T13F2	1	全金属六角法兰面锁紧螺母 All-Metal Hexagon Lock Nut With Flange			右 R
11	Q33010T13F2	1/2	全金属六角法兰面锁紧螺母 (M10×1) All-Metal Hexagon Lock Nut With Flange(M10×1)			左 / 右 L/R
12	Q4501234	49/54	半圆头铆钉 Half-Round Head Rivet			左 / 右 L/R
13	28A4DP3-01047	1	左上加强板 - 纵梁 Upper Stiffening Panel LH-Side Member			
14	28A4DP3-01048	1	右上加强板 - 纵梁 Upper Stiffening Panel RH-Side Member			
15	28A4DP3-01057	1	左下加强板 - 纵梁 Lower Stiffening Panel LH-Side Member			

28AH4DP3 左右纵梁装配图 / 28AH4DP3 LEFT AND RIGHT SIDE MEMBER

28-AS



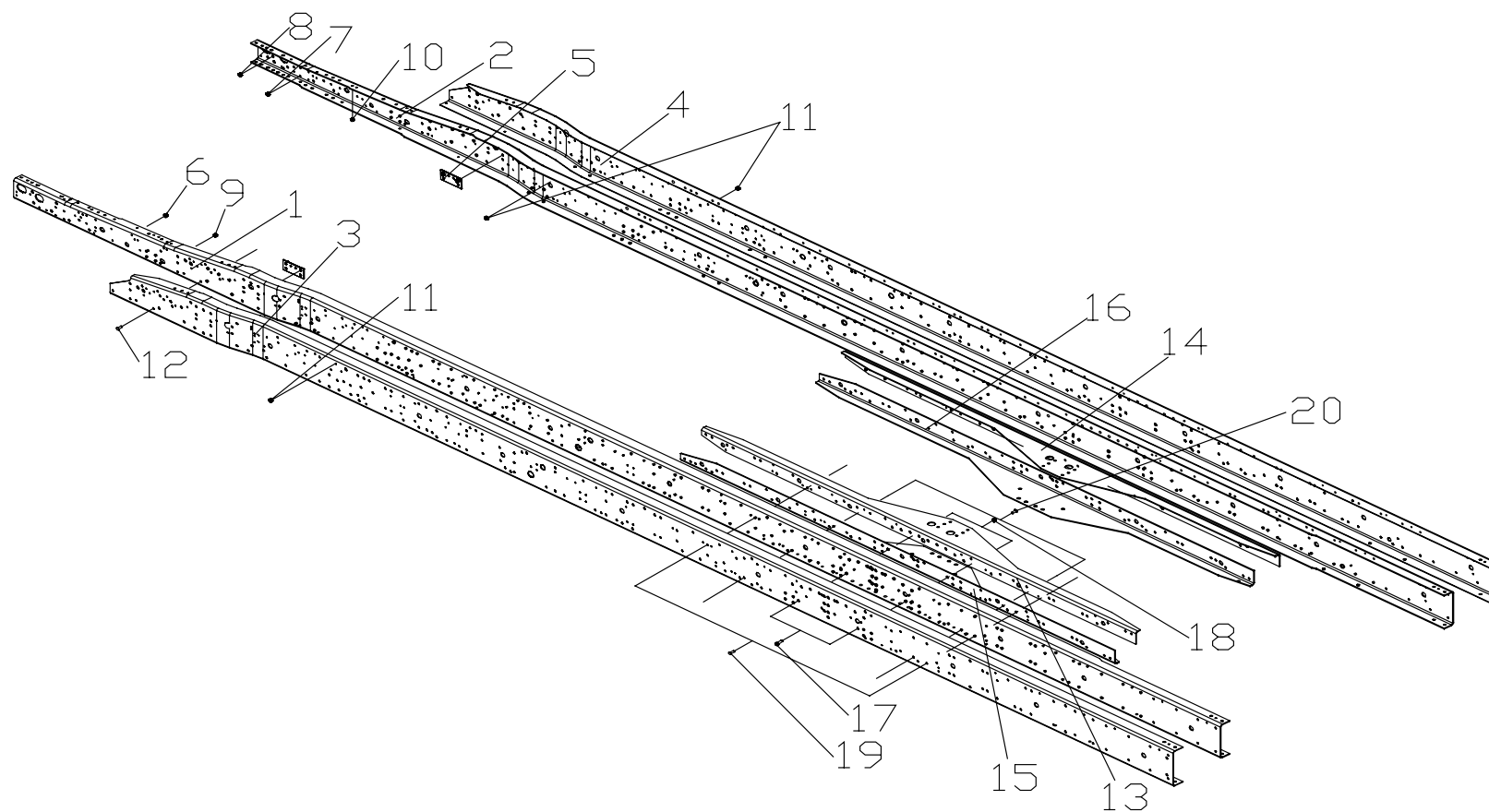
车架系统 / FRAME SYSTEM

28-180

序号 No.	件号 Part No.	数量 Quantity	名称 Name	规格 Specification	适用产品 Products Applied	备注 Remark
16	28A4DP3-01058	1	右下加强板 - 纵梁 Lower Stiffening Panel RH-Side Member			
17	HQ1841645TF2	6/6	六角法兰面螺栓 (M16×1.5) Hexagon Bolt With Flange(M16×1.5)			左 / 右 L/R
18	HQ320B16T13F2	6/6	六角法兰面螺母 (M16×1.5) Hexagon Nut With Flange(M16×1.5)			左 / 右 L/R
19	Q4501240	43/40	半圆头铆钉 Half-Round Head Rivet			左 / 右 L/R
20	Q4501242	8/8	半圆头铆钉 Half-Round Head Rivet			左 / 右 L/R

28AH4DP4 左右纵梁装配图 / 28AH4DP4 LEFT AND RIGHT SIDE MEMBER

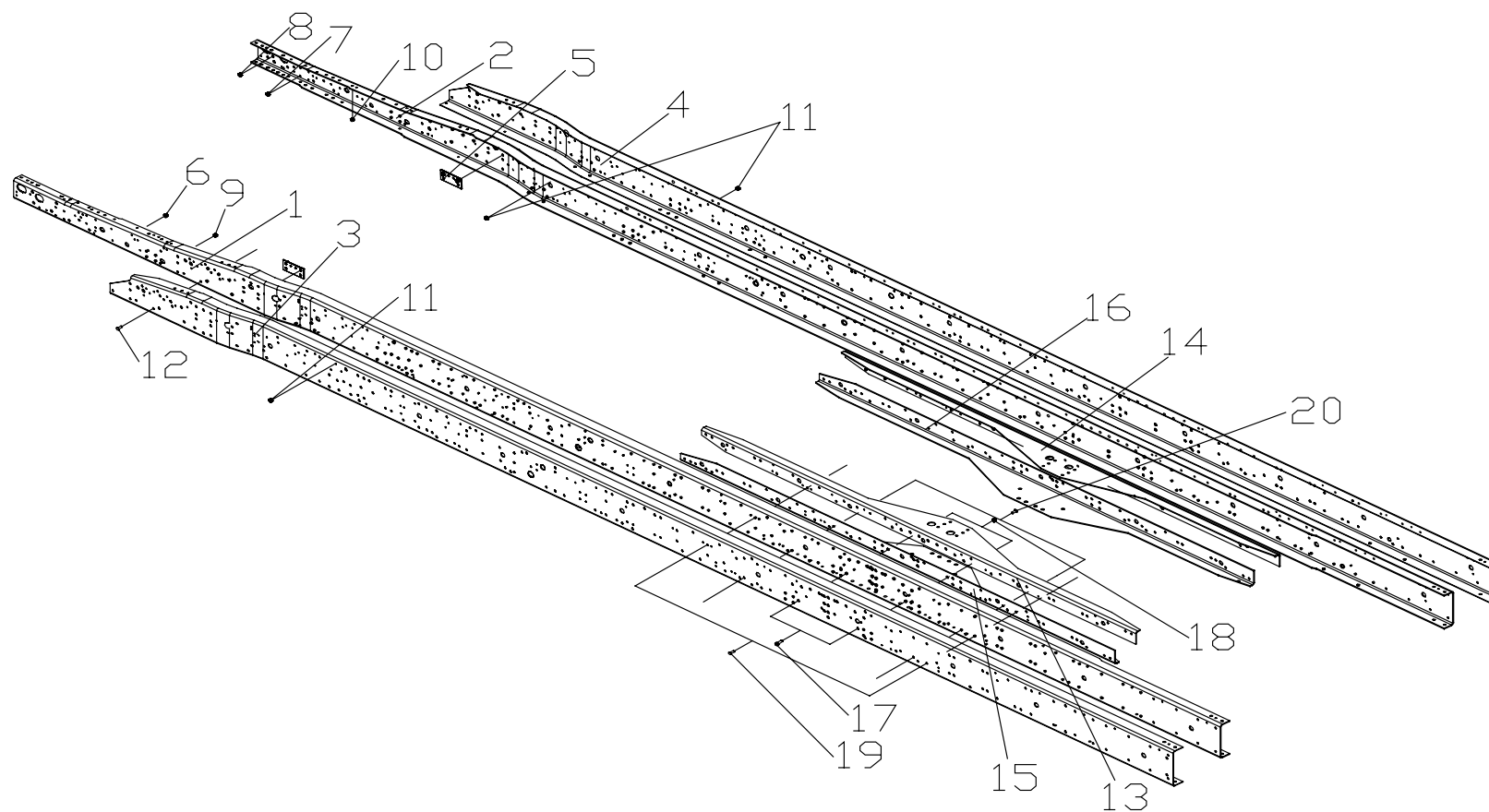
28-AT



序号 No.	件号 Part No.	数量 Quantity	名称 Name	规格 Specification	适用产品 Products Applied	备注 Remark
1	28AHDP4-01621	1	左主纵梁 Main Side Member LH		三菱动力 MITSUBISHI Engine	
	28AH2DP4-01621	1	左主纵梁 Main Side Member LH		斯太尔动力 STEYR Engine	
	28AH3DP4-01621	1	左主纵梁 Main Side Member LH		五十铃动力 ISUZU Engine	
	28AH4DP4-01621	1	左主纵梁 Main Side Member LH		康明斯动力 CUMMINS Engine	
2	28AHDP4-01622	1	右主纵梁 Main Side Member RH		三菱动力 MITSUBISHI Engine	
	28AH2DP4-01622	1	右主纵梁 Main Side Member RH		斯太尔动力 STEYR Engine	
	28AH3DP4-01622	1	右主纵梁 Main Side Member RH		五十铃动力 ISUZU Engine	
	28AH4DP4-01622	1	右主纵梁 Main Side Member RH		康明斯动力 CUMMINS Engine	
3	28AHDP4-01637	1	左副纵梁 Sub Side Member LH		三菱动力 MITSUBISHI Engine	
	28AH2DP4-01637	1	左副纵梁 Sub Side Member LH		斯太尔动力 STEYR Engine	
	28AH3DP4-01637	1	左副纵梁 Sub Side Member LH		五十铃动力 ISUZU Engine	
	28AH4DP4-01637	1	左副纵梁 Sub Side Member LH		康明斯动力 CUMMINS Engine	
4	28AHDP4-01638	1	右副纵梁 Sub Side Member RH		三菱动力 MITSUBISHI Engine	
	28AH2DP4-01638	1	右副纵梁 Sub Side Member RH		斯太尔动力 STEYR Engine	

28AH4DP4 左右纵梁装配图 / 28AH4DP4 LEFT AND RIGHT SIDE MEMBER

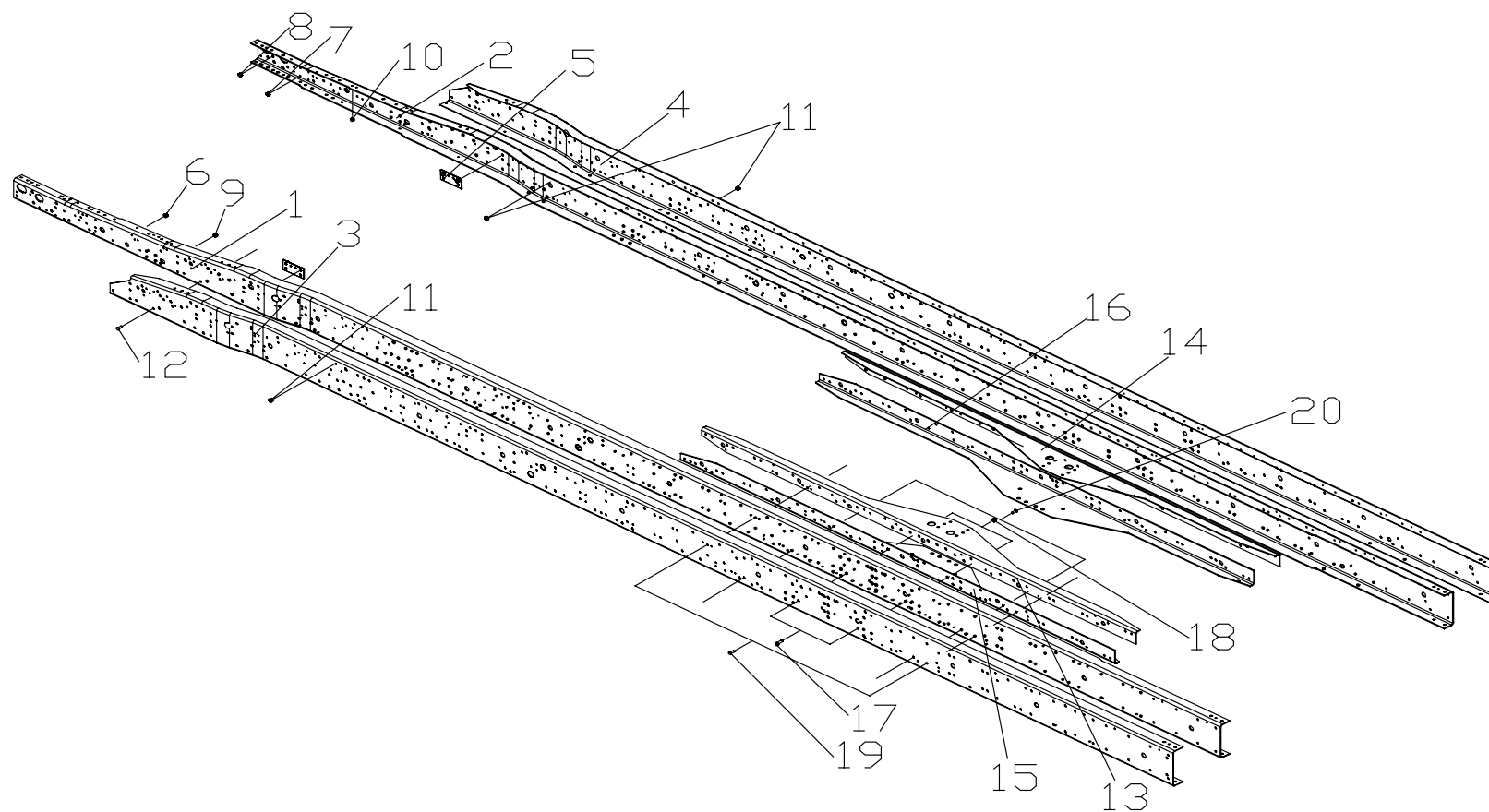
28-AT



序号 No.	件号 Part No.	数量 Quantity	名称 Name	规格 Specification	适用产品 Products Applied	备注 Remark
4	28AH3DP4-01638	1	右副纵梁 Sub Side Member RH		五十铃动力 ISUZU Engine	
	28AH4DP4-01638	1	右副纵梁 Sub Side Member RH		康明斯动力 CUMMINS Engine	
5	28AD-01030	2	固定用加强板总成 - 龙门架梁 Stiffening Panel Assembly For Fixing-Gantry Beam			
6	Q340B08T13F2	2/3	I 型六角螺母 Hexagon Full Nut			左 / 右 L/R
7	Q341B10T13F2	9/9	I 型六角螺母 (M10×1) Hexagon Full Nut(M10×1)			左 / 右 L/R
8	Q341B12T13F2	3	I 型六角螺母 (M12×1.25) Hexagon Full Nut(M12×1.25)			右 R
9	Q341B14T13F2	3/4	I 型六角螺母 (M14×1.5) Hexagon Full Nut(M14×1.5)			左 / 右 L/R
10	Q33008T13F2	1	全金属六角法兰面锁紧螺母 All-Metal Hexagon Lock Nut With Flange			右 R
11	Q33010T13F2	1/2	全金属六角法兰面锁紧螺母 (M10×1) All-Metal Hexagon Lock Nut With Flange(M10×1)			左 / 右 L/R
12	Q4501234	38/41	半圆头铆钉 Half-Round Head Rivet			左 / 右 L/R
13	28ADP-01047	1	左上加强板 - 纵梁 Upper Stiffening Panel LH-Side Member			
14	28ADP-01048	1	右上加强板 - 纵梁 Upper Stiffening Panel RH-Side Member			
15	28A4DP5-01057	1	左下加强板 - 纵梁 Lower Stiffening Panel LH-Side Member			

28AH4DP4 左右纵梁装配图 / 28AH4DP4 LEFT AND RIGHT SIDE MEMBER

28-AT



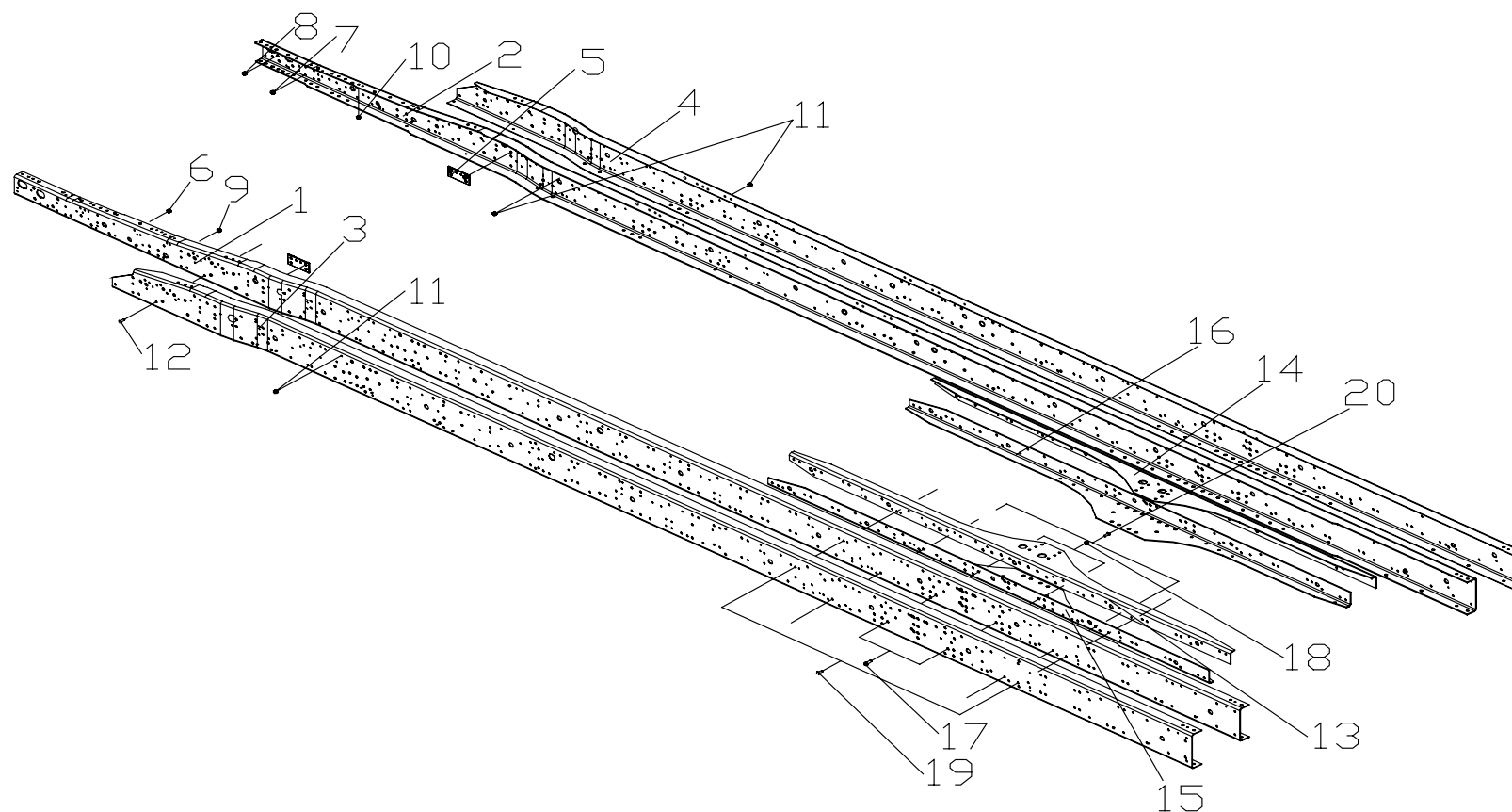
车架系统 / FRAME SYSTEM

28-186

序号 No.	件号 Part No.	数量 Quantity	名称 Name	规格 Specification	适用产品 Products Applied	备注 Remark
16	28A4DP5-01058	1	右下加强板 - 纵梁 Lower Stiffening Panel RH-Side Member			
17	HQ1841645TF2	6/6	六角法兰面螺栓 (M16×1.5) Hexagon Bolt With Flange(M16×1.5)			左 / 右 L/R
18	HQ320B16T13F2	6/6	六角法兰面螺母 (M16×1.5) Hexagon Nut With Flange(M16×1.5)			左 / 右 L/R
19	Q4501240	29/29	半圆头铆钉 Half-Round Head Rivet			左 / 右 L/R
20	Q4501242	8/8	半圆头铆钉 Half-Round Head Rivet			左 / 右 L/R

28AH4DP5 左右纵梁装配图 / 28AH4DP5 LEFT AND RIGHT SIDE MEMBER

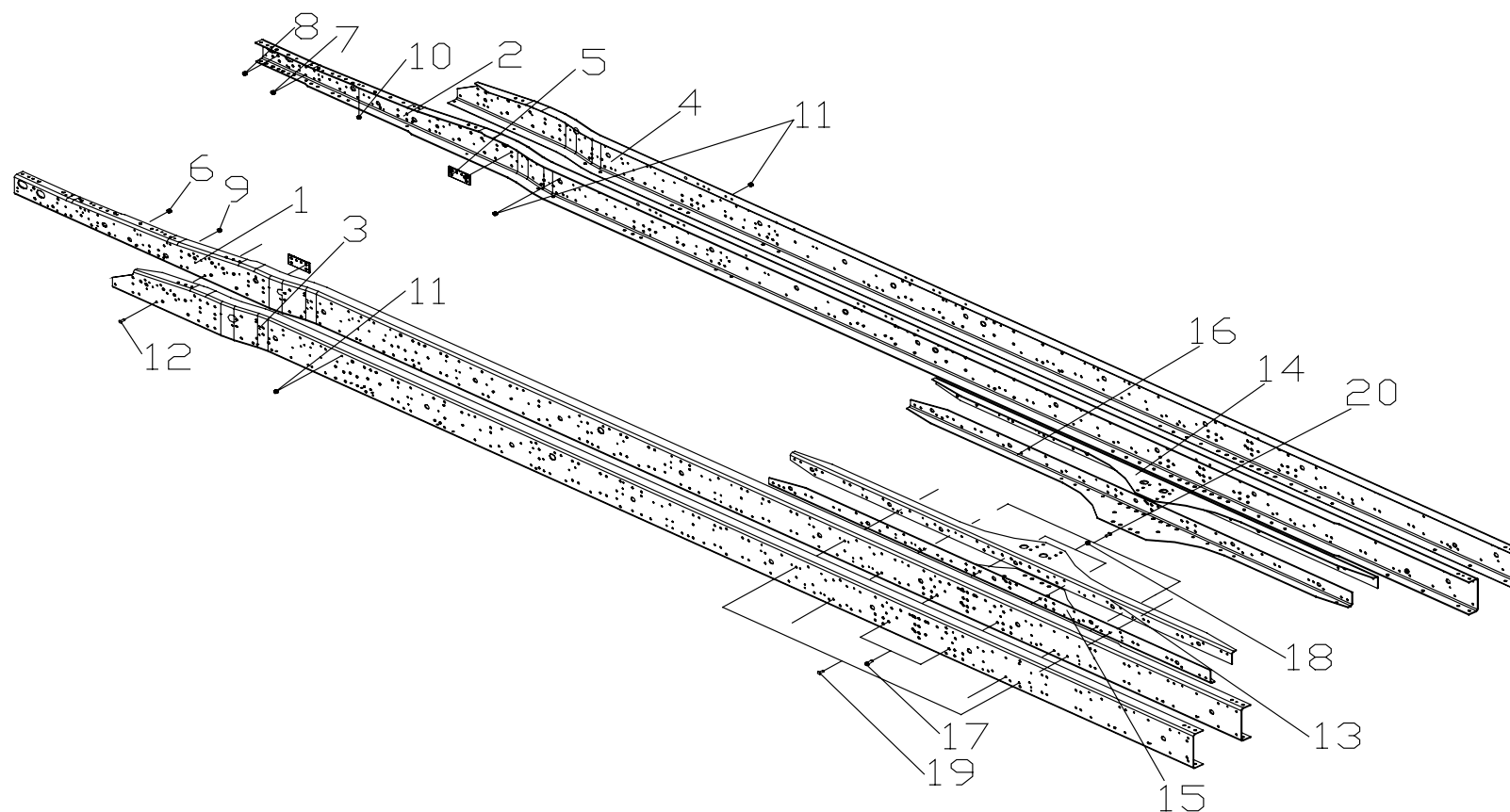
28-AU



序号 No.	件号 Part No.	数量 Quantity	名称 Name	规格 Specification	适用产品 Products Applied	备注 Remark
1	28AHDP5-01621	1	左主纵梁 Main Side Member LH		三菱动力 MITSUBISHI Engine	
	28AH2DP5-01621	1	左主纵梁 Main Side Member LH		斯太尔动力 STEYR Engine	
	28AH3DP5-01621	1	左主纵梁 Main Side Member LH		五十铃动力 ISUZU Engine	
	28AH4DP5-01621	1	左主纵梁 Main Side Member LH		康明斯动力 CUMMINS Engine	
2	28AHDP5-01622	1	右主纵梁 Main Side Member RH		三菱动力 MITSUBISHI Engine	
	28AH2DP5-01622	1	右主纵梁 Main Side Member RH		斯太尔动力 STEYR Engine	
	28AH3DP5-01622	1	右主纵梁 Main Side Member RH		五十铃动力 ISUZU Engine	
	28AH4DP5-01622	1	右主纵梁 Main Side Member RH		康明斯动力 CUMMINS Engine	
3	28AHDP5-01637	1	左副纵梁 Sub Side Member LH		三菱动力 MITSUBISHI Engine	
	28AH2DP5-01637	1	左副纵梁 Sub Side Member LH		斯太尔动力 STEYR Engine	
	28AH3DP5-01637	1	左副纵梁 Sub Side Member LH		五十铃动力 ISUZU Engine	
	28AH4DP5-01637	1	左副纵梁 Sub Side Member LH		康明斯动力 CUMMINS Engine	
4	28AHDP5-01638	1	右副纵梁 Sub Side Member RH		三菱动力 MITSUBISHI Engine	
	28AH2DP5-01638	1	右副纵梁 Sub Side Member RH		斯太尔动力 STEYR Engine	

28AH4DP5 左右纵梁装配图 / 28AH4DP5 LEFT AND RIGHT SIDE MEMBER

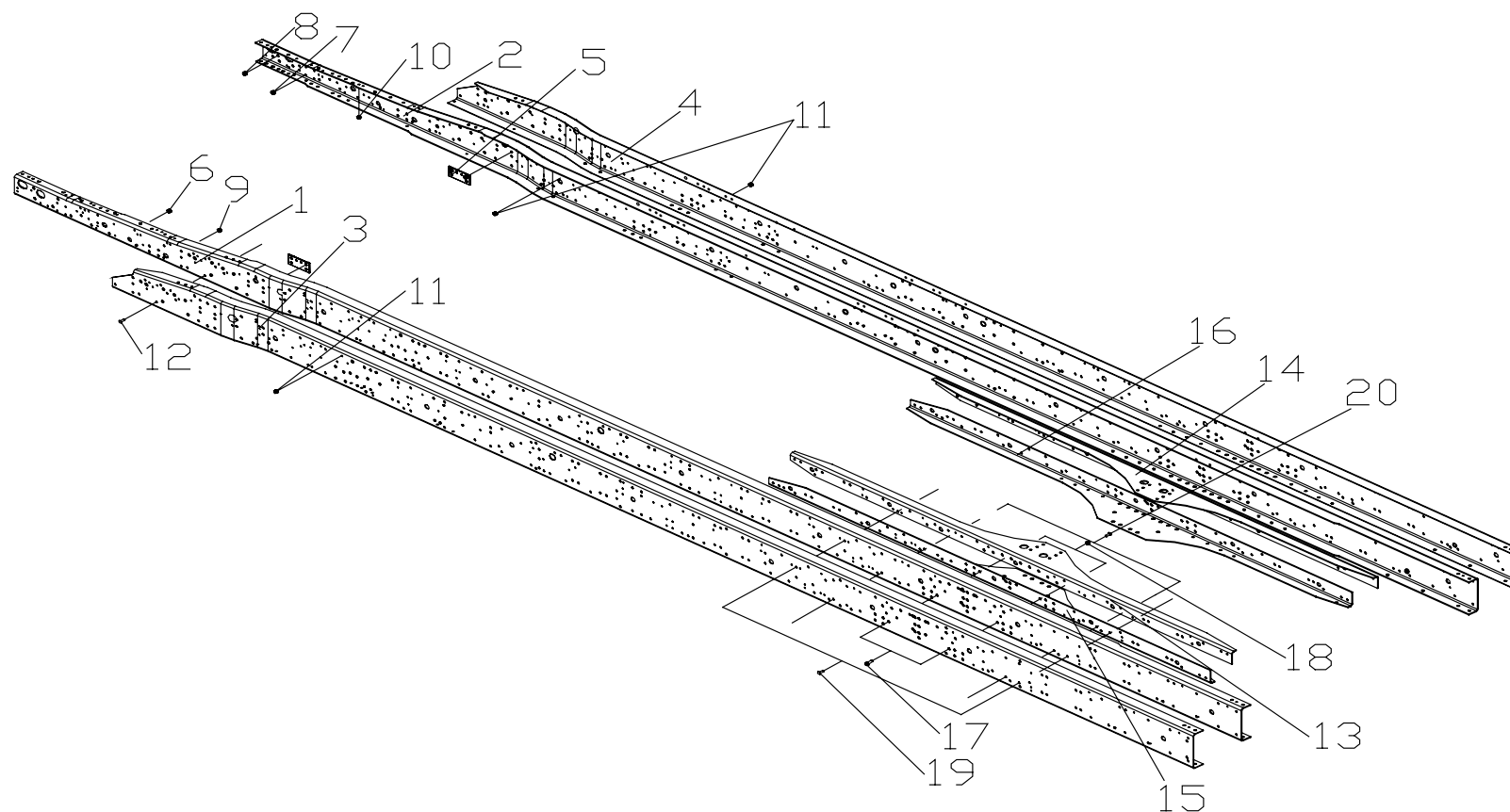
28-AU



序号 No.	件号 Part No.	数量 Quantity	名称 Name	规格 Specification	适用产品 Products Applied	备注 Remark
4	28AH3DP5-01638	1	右副纵梁 Sub Side Member RH		五十铃动力 ISUZU Engine	
	28AH4DP5-01638	1	右副纵梁 Sub Side Member RH		康明斯动力 CUMMINS Engine	
5	28AD-01030	2	固定用加强板总成 - 龙门架梁 Stiffening Panel Assembly For Fixing-Gantry Beam			
6	Q340B08T13F2	2/3	I 型六角螺母 Hexagon Full Nut			左 / 右 L/R
7	Q341B10T13F2	9/9	I 型六角螺母 (M10×1) Hexagon Full Nut(M10×1)			左 / 右 L/R
8	Q341B12T13F2	3	I 型六角螺母 (M12×1.25) Hexagon Full Nut(M12×1.25)			右 R
9	Q341B14T13F2	3/4	I 型六角螺母 (M14×1.5) Hexagon Full Nut(M14×1.5)			左 / 右 L/R
10	Q33008T13F2	1	全金属六角法兰面锁紧螺母 All-Metal Hexagon Lock Nut With Flange			右 R
11	Q33010T13F2	1/2	全金属六角法兰面锁紧螺母 (M10×1) All-Metal Hexagon Lock Nut With Flange(M10×1)			左 / 右 L/R
12	Q4501234	35/38	半圆头铆钉 Half-Round Head Rivet			左 / 右 L/R
13	28ADP-01047	1	左上加强板 - 纵梁 Upper Stiffening Panel LH-Side Member			
14	28ADP-01048	1	右上加强板 - 纵梁 Upper Stiffening Panel RH-Side Member			
15	28A4DP5-01057	1	左下加强板 - 纵梁 Lower Stiffening Panel LH-Side Member			

28AH4DP5 左右纵梁装配图 / 28AH4DP5 LEFT AND RIGHT SIDE MEMBER

28-AU



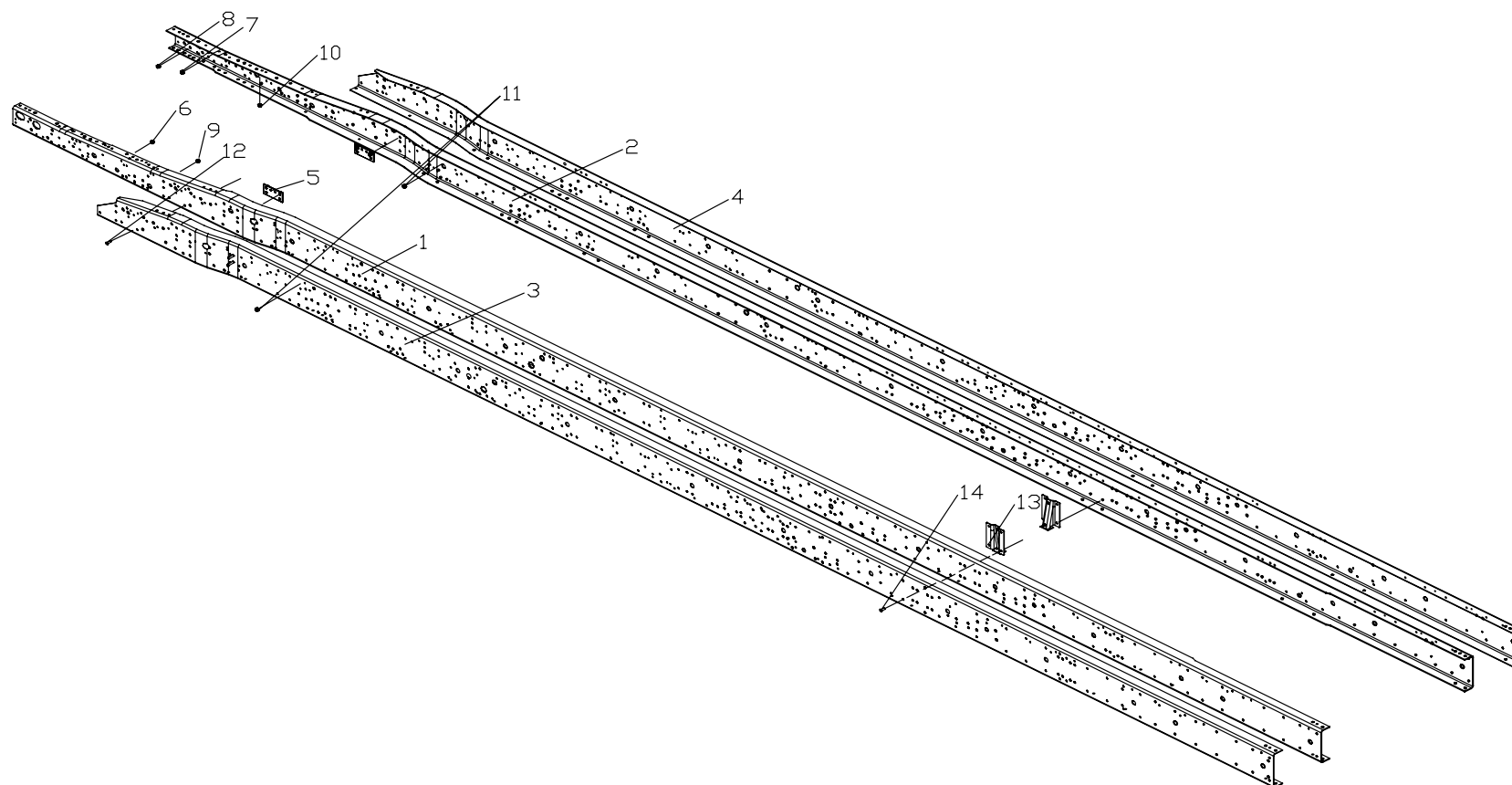
车架系统 / FRAME SYSTEM

28-192

序号 No.	件号 Part No.	数量 Quantity	名称 Name	规格 Specification	适用产品 Products Applied	备注 Remark
16	28A4DP5-01058	1	右下加强板 - 纵梁 Lower Stiffening Panel RH-Side Member			
17	HQ1841645TF2	6/6	六角法兰面螺栓 (M16×1.5) Hexagon Bolt With Flange(M16×1.5)			左 / 右 L/R
18	HQ320B16T13F2	6/6	六角法兰面螺母 (M16×1.5) Hexagon Nut With Flange(M16×1.5)			左 / 右 L/R
19	Q4501240	31/29	半圆头铆钉 Half-Round Head Rivet			左 / 右 L/R
20	Q4501242	8/8	半圆头铆钉 Half-Round Head Rivet			左 / 右 L/R

28AH4DP10 左右纵梁装配图 / 28AH4DP10 LEFT AND RIGHT SIDE MEMBER

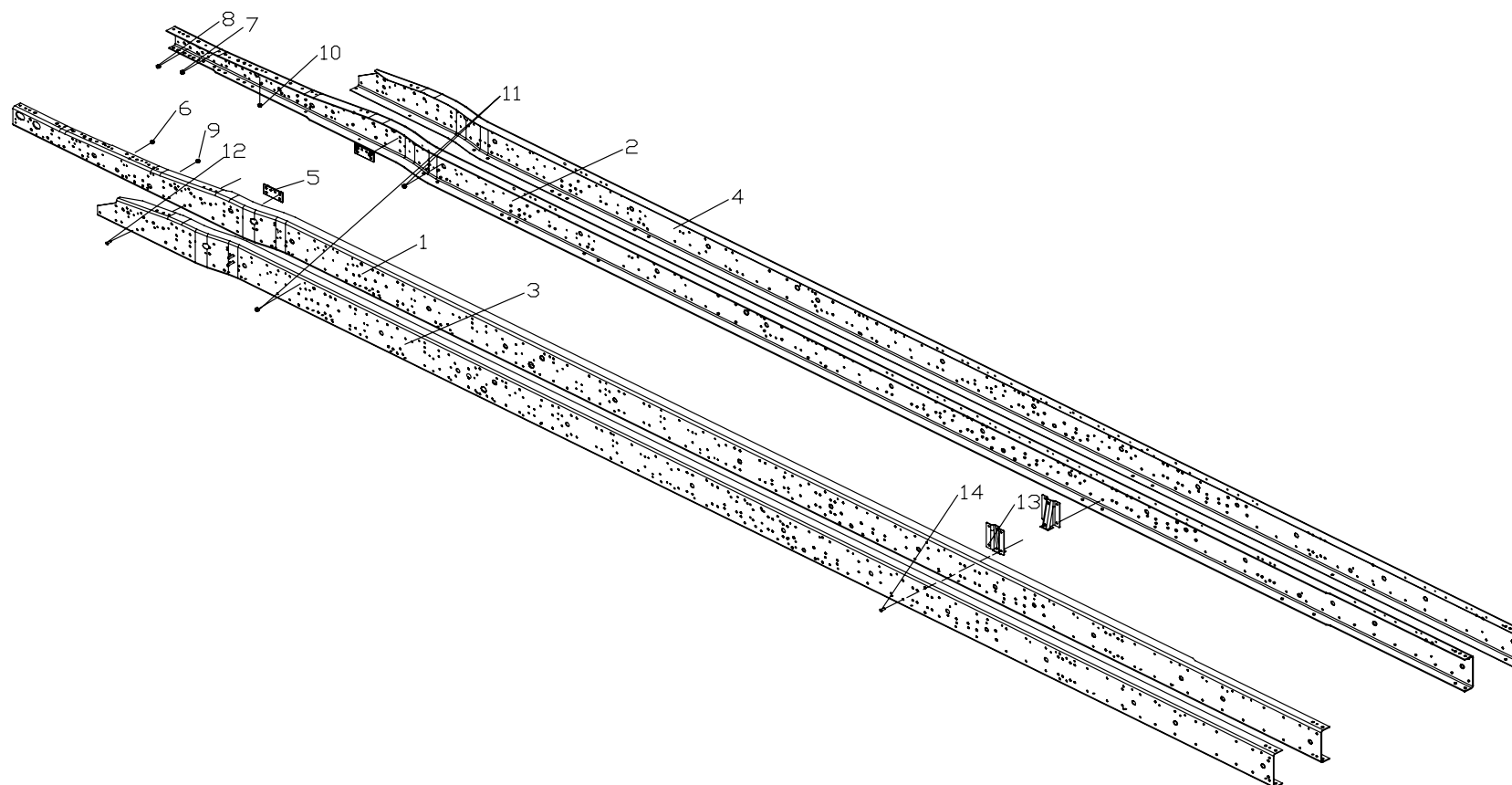
28-AV



序号 No.	件号 Part No.	数量 Quantity	名称 Name	规格 Specification	适用产品 Products Applied	备注 Remark
1	28AHDP10-01621	1	左主纵梁 Main Side Member LH		三菱动力 MITSUBISHI Engine	
	28AH2DP10-01621	1	左主纵梁 Main Side Member LH		斯太尔动力 STEYR Engine	
	28AH3DP10-01621	1	左主纵梁 Main Side Member LH		五十铃动力 ISUZU Engine	
	28AH4DP10-01621	1	左主纵梁 Main Side Member LH		康明斯动力 CUMMINS Engine	
2	28AHDP10-01622	1	右主纵梁 Main Side Member RH		三菱动力 MITSUBISHI Engine	
	28AH2DP10-01622	1	右主纵梁 Main Side Member RH		斯太尔动力 STEYR Engine	
	28AH3DP10-01622	1	右主纵梁 Main Side Member RH		五十铃动力 ISUZU Engine	
	28AH4DP10-01622	1	右主纵梁 Main Side Member RH		康明斯动力 CUMMINS Engine	
3	28AHDP10-01637	1	左副纵梁 Sub Side Member LH		三菱动力 MITSUBISHI Engine	
	28AH2DP10-01637	1	左副纵梁 Sub Side Member LH		斯太尔动力 STEYR Engine	
	28AH3DP10-01637	1	左副纵梁 Sub Side Member LH		五十铃动力 ISUZU Engine	
	28AH4DP10-01637	1	左副纵梁 Sub Side Member LH		康明斯动力 CUMMINS Engine	
4	28AHDP10-01638	1	右副纵梁 Sub Side Member RH		三菱动力 MITSUBISHI Engine	
	28AH2DP10-01638	1	右副纵梁 Sub Side Member RH		斯太尔动力 STEYR Engine	

28AH4DP10 左右纵梁装配图 / 28AH4DP10 LEFT AND RIGHT SIDE MEMBER

28-AV



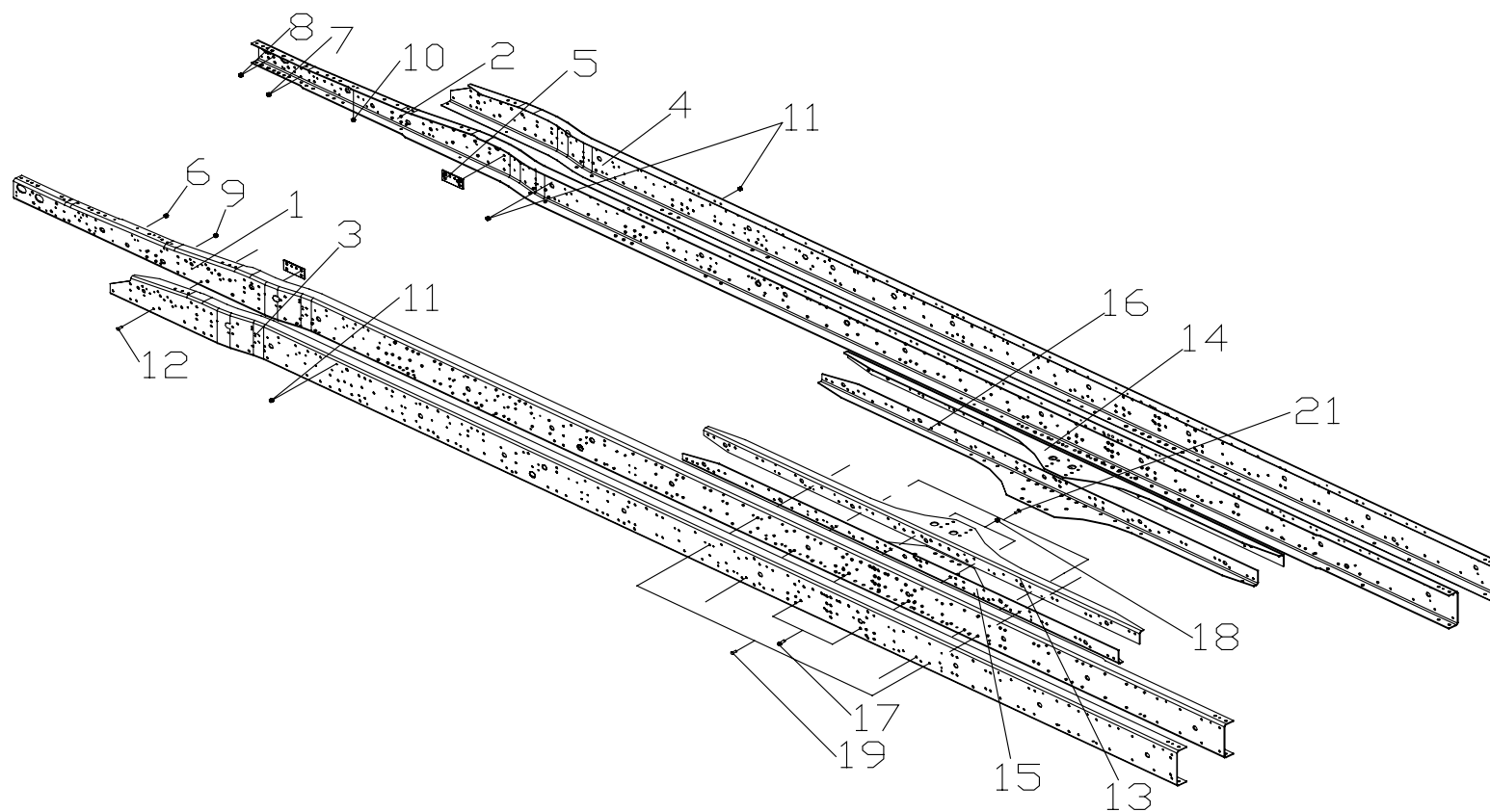
车架系统 / FRAME SYSTEM

28-196

序号 No.	件号 Part No.	数量 Quantity	名称 Name	规格 Specification	适用产品 Products Applied	备注 Remark
4	28AH3DP10-01638	1	右副纵梁 Sub Side Member RH		五十铃动力 ISUZU Engine	
	28AH4DP10-01638	1	右副纵梁 Sub Side Member RH		康明斯动力 CUMMINS Engine	
5	28AD-01030	2	固定用加强板总成 - 龙门架梁 Stiffening Panel Assembly For Fixing-Gantry Beam			
6	Q340B08T13F2	2/3	I 型六角螺母 Hexagon Full Nut			左 / 右 L/R
7	Q341B10T13F2	9/9	I 型六角螺母 (M10×1) Hexagon Full Nut(M10×1)			左 / 右 L/R
8	Q341B12T13F2	3	I 型六角螺母 (M12×1.25) Hexagon Full Nut(M12×1.25)			右 R
9	Q341B14T13F2	1/1	I 型六角螺母 (M14×1.5) Hexagon Full Nut(M14×1.5)			左 / 右 L/R
10	Q33008T13F2	1	全金属六角法兰面锁紧螺母 All-Metal Hexagon Lock Nut With Flange			右 R
11	Q33010T13F2	1/1	全金属六角法兰面锁紧螺母 (M10×1) All-Metal Hexagon Lock Nut With Flange(M10×1)			左 / 右 L/R
12	Q4501234	100/100	半圆头铆钉 Half-Round Head Rivet			左 / 右 L/R
13	29AD-04210	2	右后加强板支架 B 总成 - 限位块 Rear Stiffening Panel Bracket B Assembly RH-Limiting Stopper			
14	Q4501242	8	半圆头铆钉 Half-Round Head Rivet			

28AH4DZ4 左右纵梁装配图 / 28AH4DZ4 LEFT AND RIGHT SIDE MEMBER

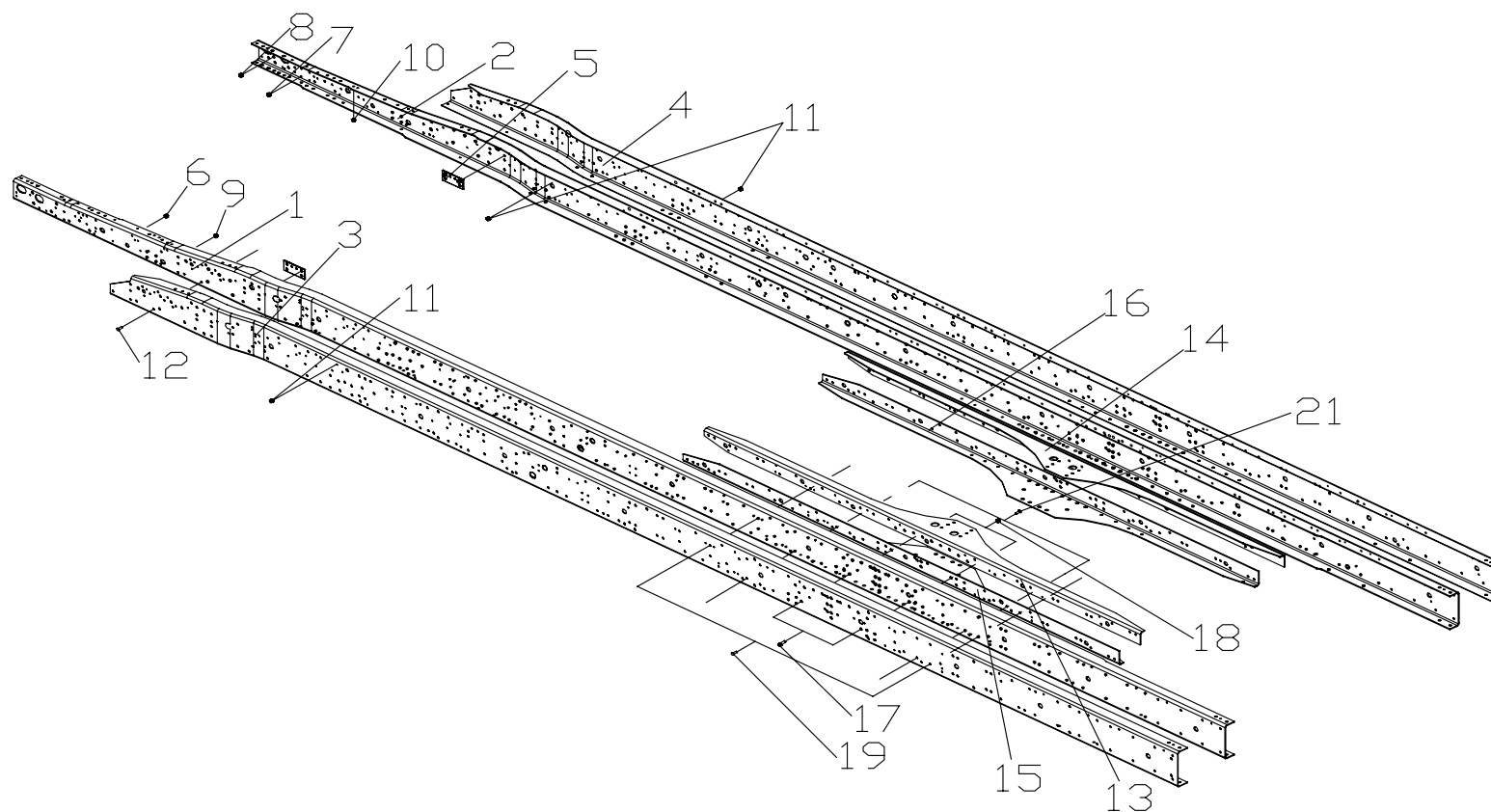
28-AW



序号 No.	件号 Part No.	数量 Quantity	名称 Name	规格 Specification	适用产品 Products Applied	备注 Remark
1	28AHDZ4-01621	1	左主纵梁 Main Side Member LH		三菱动力 MITSUBISHI Engine	
	28AH2DZ4-01621	1	左主纵梁 Main Side Member LH		斯太尔动力 STEYR Engine	
	28AH3DZ4-01621	1	左主纵梁 Main Side Member LH		五十铃动力 ISUZU Engine	
	28AH4DZ4-01621	1	左主纵梁 Main Side Member LH		康明斯动力 CUMMINS Engine	
2	28AHDZ4-01622	1	右主纵梁 Main Side Member RH		三菱动力 MITSUBISHI Engine	
	28AH2DZ4-01622	1	右主纵梁 Main Side Member RH		斯太尔动力 STEYR Engine	
	28AH3DZ4-01622	1	右主纵梁 Main Side Member RH		五十铃动力 ISUZU Engine	
	28AH4DZ4-01622	1	右主纵梁 Main Side Member RH		康明斯动力 CUMMINS Engine	
3	28AHDZ4-01637	1	左副纵梁 Sub Side Member LH		三菱动力 MITSUBISHI Engine	
	28AH2DZ4-01637	1	左副纵梁 Sub Side Member LH		斯太尔动力 STEYR Engine	
	28AH3DZ4-01637	1	左副纵梁 Sub Side Member LH		五十铃动力 ISUZU Engine	
	28AH4DZ4-01637	1	左副纵梁 Sub Side Member LH		康明斯动力 CUMMINS Engine	
4	28AHDZ4-01638	1	右副纵梁 Sub Side Member RH		三菱动力 MITSUBISHI Engine	
	28AH2DZ4-01638	1	右副纵梁 Sub Side Member RH		斯太尔动力 STEYR Engine	

28AH4DZ4 左右纵梁装配图 / 28AH4DZ4 LEFT AND RIGHT SIDE MEMBER

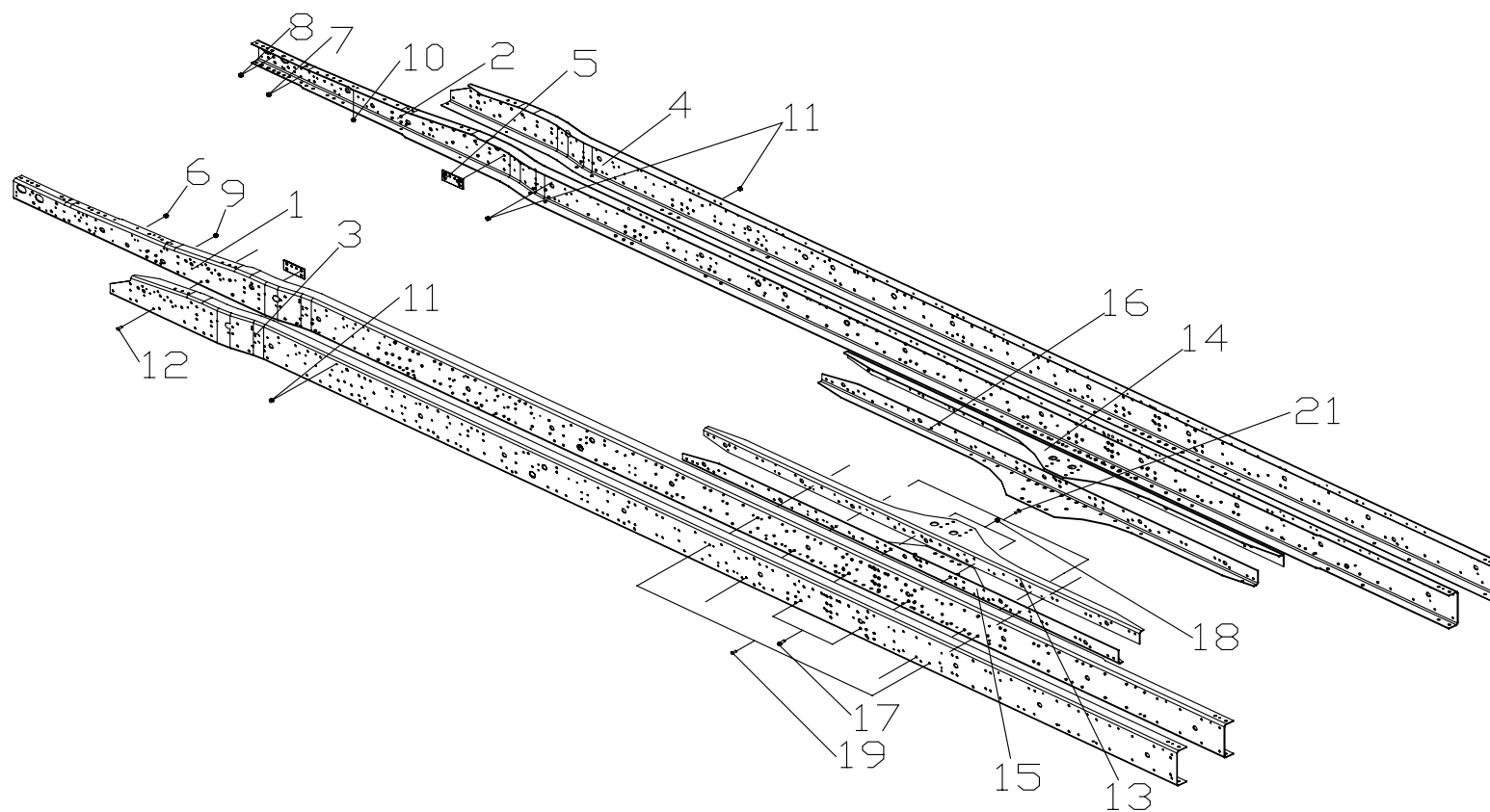
28-AW



序号 No.	件号 Part No.	数量 Quantity	名称 Name	规格 Specification	适用产品 Products Applied	备注 Remark
4	28AH3DZ4-01638	1	右副纵梁 Sub Side Member RH		五十铃动力 ISUZU Engine	
	28AH4DZ4-01638	1	右副纵梁 Sub Side Member RH		康明斯动力 CUMMINS Engine	
5	28AD-01030	2	固定用加强板总成 - 龙门架梁 Stiffening Panel Assembly For Fixing-Gantry Beam			
6	Q340B08T13F2	2/3	I 型六角螺母 Hexagon Full Nut			左 / 右 L/R
7	Q341B10T13F2	9/9	I 型六角螺母 (M10×1) Hexagon Full Nut(M10×1)			左 / 右 L/R
8	Q341B12T13F2	3	I 型六角螺母 (M12×1.25) Hexagon Full Nut(M12×1.25)			右 R
9	Q341B14T13F2	3/4	I 型六角螺母 (M14×1.5) Hexagon Full Nut(M14×1.5)			左 / 右 L/R
10	Q33008T13F2	1	全金属六角法兰面锁紧螺母 All-Metal Hexagon Lock Nut With Flange			右 R
11	Q33010T13F2	1/2	全金属六角法兰面锁紧螺母 (M10×1) All-Metal Hexagon Lock Nut With Flange(M10×1)			左 / 右 L/R
12	Q4501234	35/36	半圆头铆钉 Half-Round Head Rivet			左 / 右 L/R
13	28A4DZ4-01047	1	左上加强板 - 纵梁 Upper Stiffening Panel LH-Side Member			
14	28A4DZ4-01048	1	右上加强板 - 纵梁 Upper Stiffening Panel RH-Side Member			
15	28A4DZ4-01057	1	左下加强板 - 纵梁 Lower Stiffening Panel LH-Side Member			

28AH4DZ4 左右纵梁装配图 / 28AH4DZ4 LEFT AND RIGHT SIDE MEMBER

28-AW



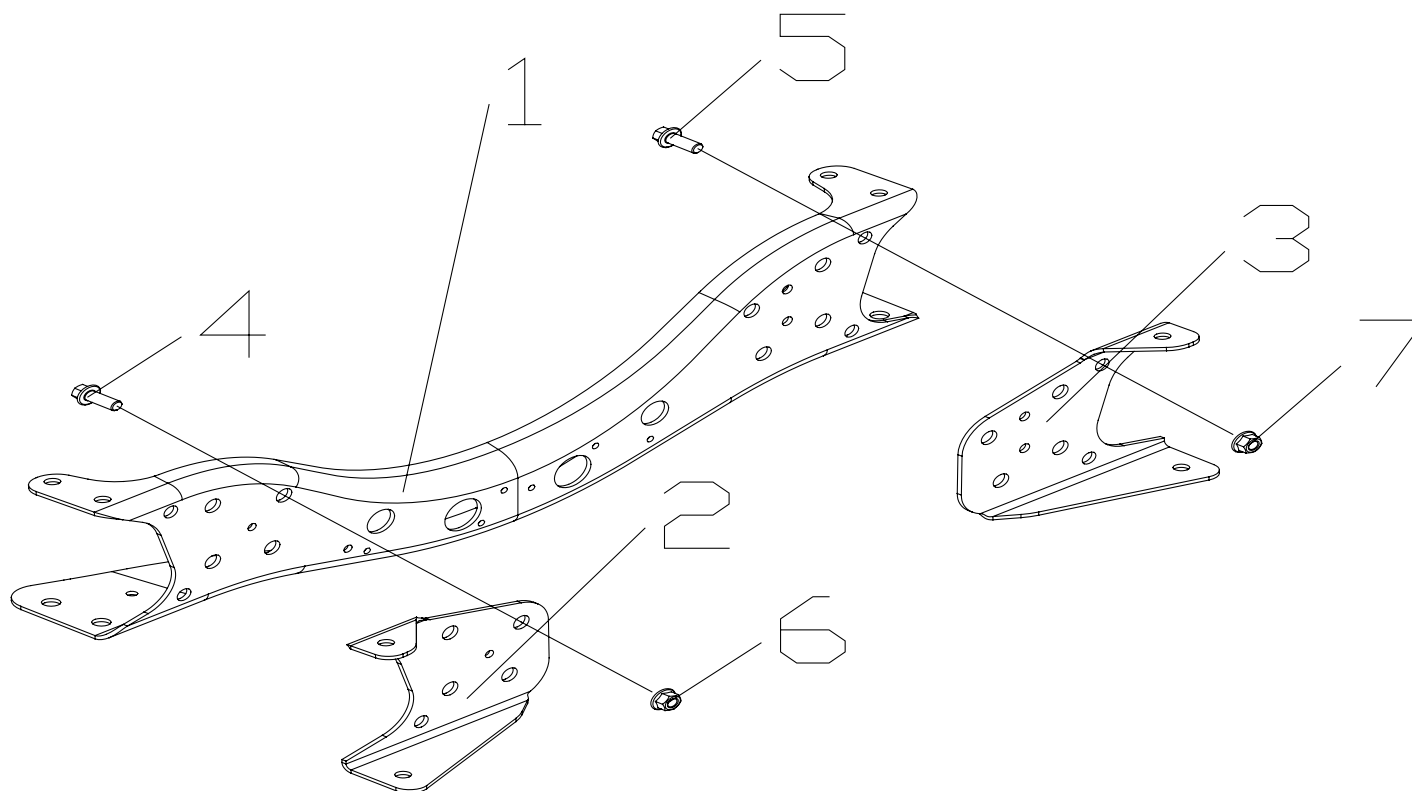
车架系统 / FRAME SYSTEM

28-202

序号 No.	件号 Part No.	数量 Quantity	名称 Name	规格 Specification	适用产品 Products Applied	备注 Remark
16	28A4DZ4-01058	1	右下加强板 - 纵梁 Lower Stiffening Panel RH-Side Member			
17	HQ1841645TF2	6/6	六角法兰面螺栓 (M16×1.5) Hexagon Bolt With Flange(M16×1.5)			左 / 右 L/R
18	HQ320B16T13F2	6/6	六角法兰面螺母 (M16×1.5) Hexagon Nut With Flange(M16×1.5)			左 / 右 L/R
19	Q4501240	25/28	半圆头铆钉 Half-Round Head Rivet			左 / 右 L/R
20	Q4501242	8/8	半圆头铆钉 Half-Round Head Rivet			左 / 右 L/R

28A 第二横梁装配图 / 28A SECOND CROSS MEMBER

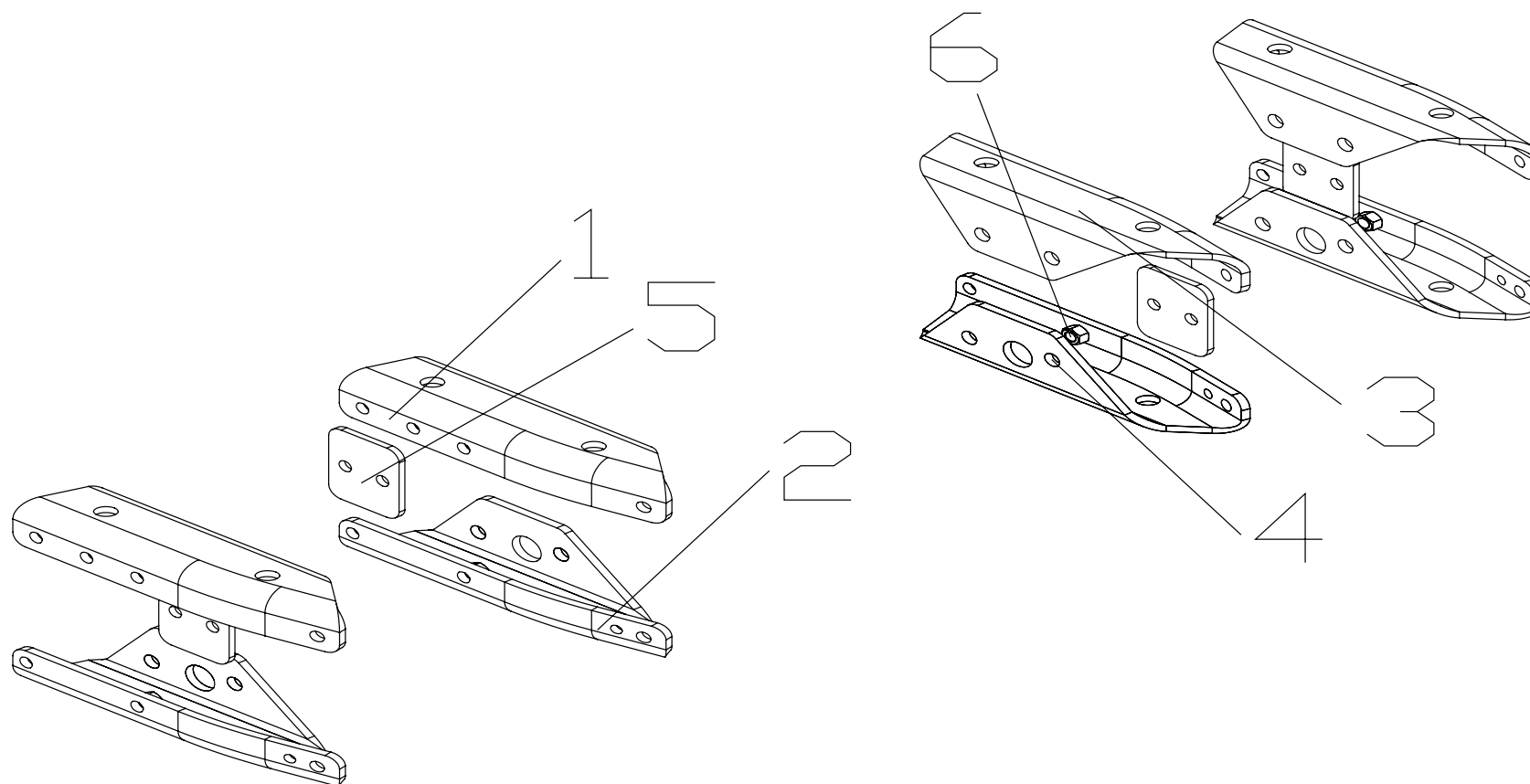
28-AX



序号 No.	件号 Part No.	数量 Quantity	名称 Name	规格 Specification	适用产品 Products Applied	备注 Remark
1	28A-01121	1	第二横梁 Second Cross Member			
2	28A-01122	1	左连接板 - 第二横梁 Connecting Panel LH-Second Cross Member			
3	28A-01123	1	右连接板 - 第二横梁 Connecting Panel RH-Second Cross Member			
4	HQ1841635TF2	2/2	六角法兰面螺栓 (M16×1.5) Hexagon Bolt With Flange(M16×1.5)			
5	HQ1841435TF2	2/2	六角法兰面螺栓 (M14×1.5) Hexagon Bolt With Flange(M14×1.5)			
6	HQ320B16T13F2	2/2	六角法兰面螺母 (M16×1.5) Hexagon Nut With Flange(M16×1.5)			
7	HQ320B14T13F2	2/2	六角法兰面螺母 (M14×1.5) Hexagon Nut With Flange(M14×1.5)			

左右支架 - 第三横梁装配图 / LEFT AND RIGHT BRACKET-THIRD CROSS MEMBER

28-AY



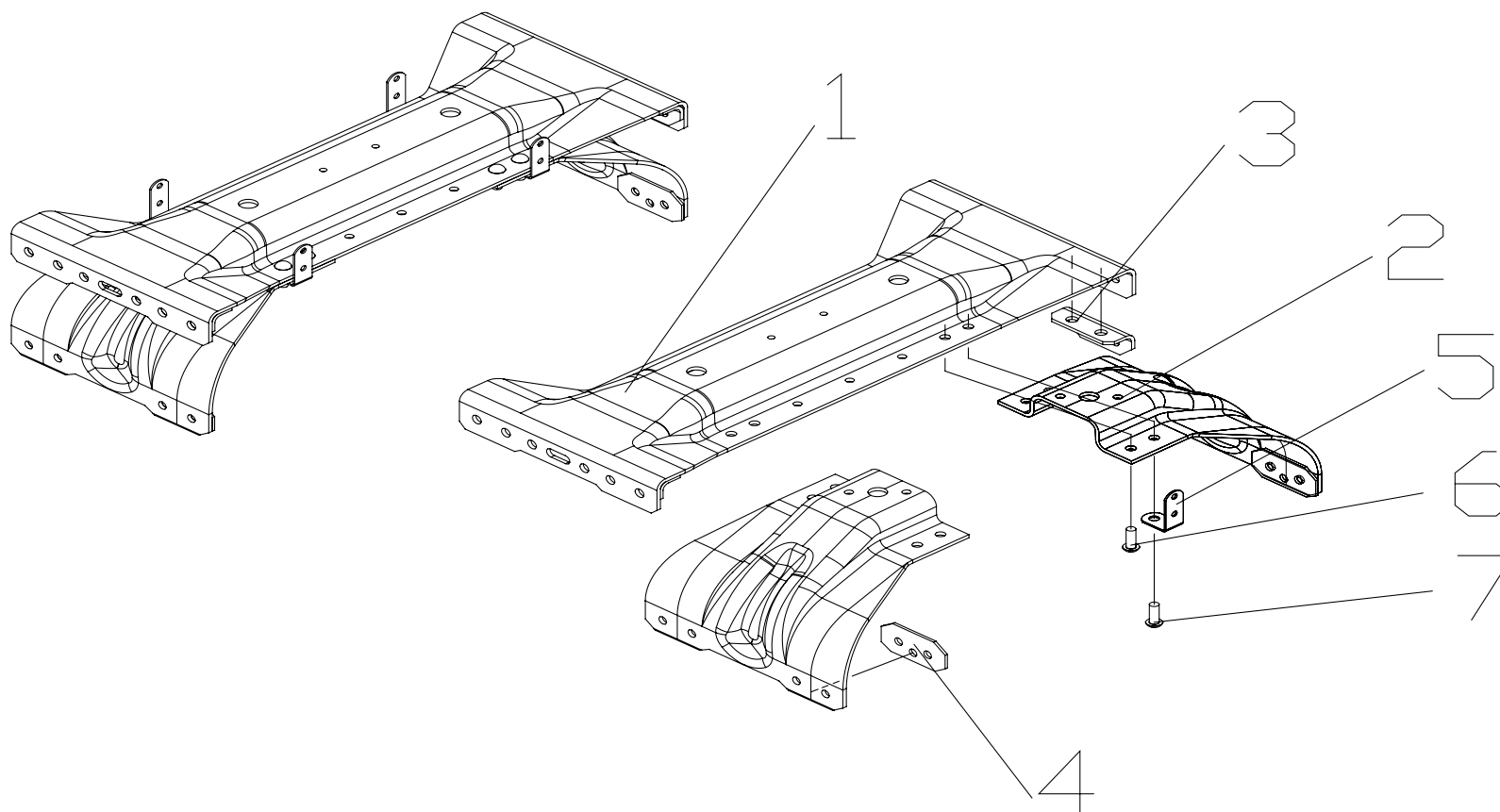
车架系统 / FRAME SYSTEM

28-206

序号 No.	件号 Part No.	数量 Quantity	名称 Name	规格 Specification	适用产品 Products Applied	备注 Remark
1	28A-01132	1	左上支架 - 第三横梁 Upper Bracket LH-Third Cross Member			
2	28A-01133	1	左下支架 - 第三横梁 Lower Bracket LH-Third Cross Member			
3	28A-01134	1	右上支架 - 第三横梁 Upper Bracket RH-Third Cross Member			
4	28A-01136	1	右下支架 - 第三横梁 Lower Bracket RH-Third Cross Member			
5	28A-01124	1/1	上下支架连接板 - 第三横梁 Upper/Lower Bracket Connecting Panel-Third Cross Member			左 / 右 L/R
6	Q341B14T13F2	3/3	I 型六角螺母 (M14×1.5) Hexagon Full Nut(M14×1.5)			左 / 右 L/R

第四横梁装配图 / FOURTH CROSS MEMBER

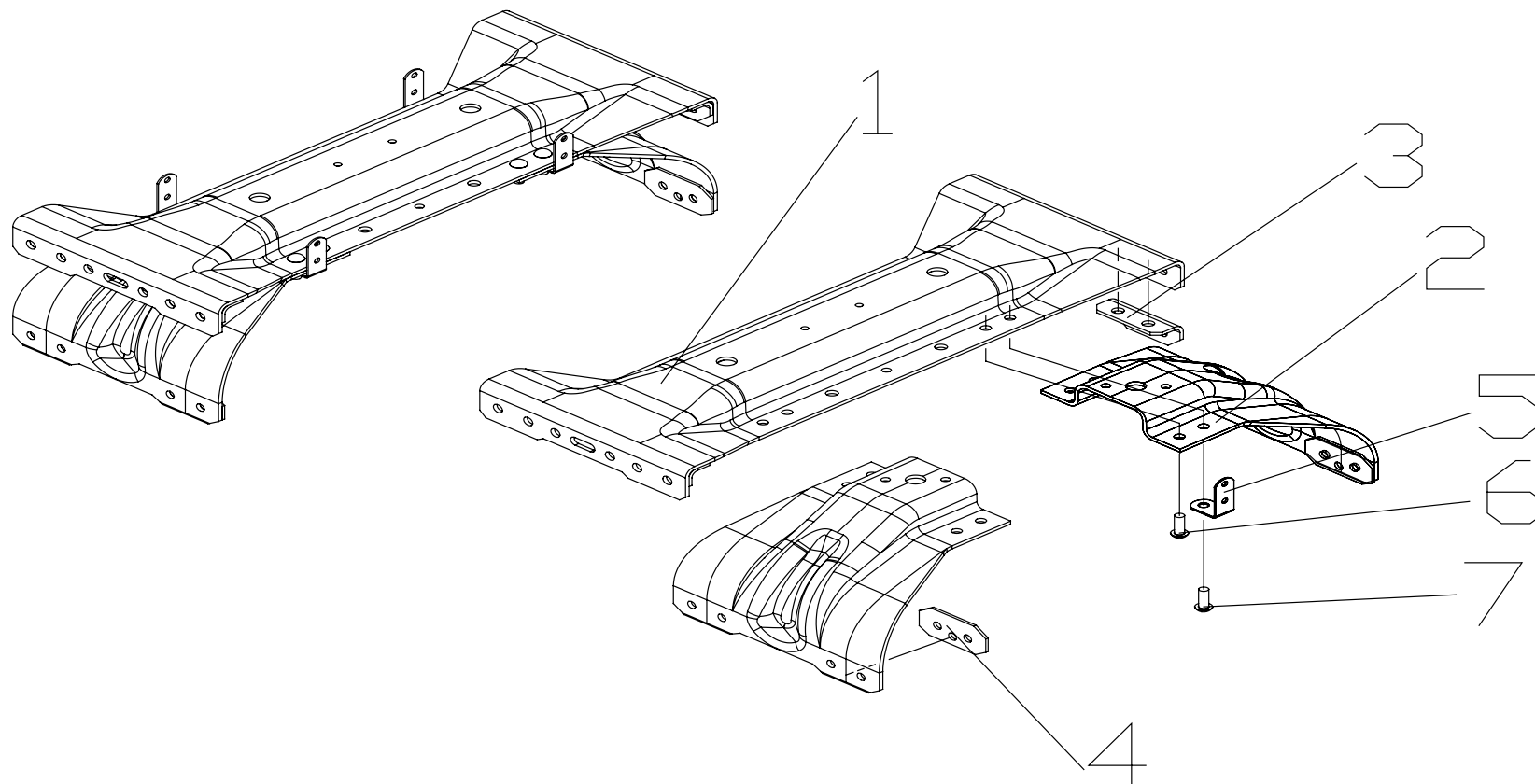
28-AZ



序号 No.	件号 Part No.	数量 Quantity	名称 Name	规格 Specification	适用产品 Products Applied	备注 Remark
1	28A-01141	1	第四横梁 Fourth Cross Member			
2	28A-01142	1	托架 - 第四横梁 Bracket- Fourth Cross Member			
3	28A-01143	4	L 型加强板 - 第四横梁 L Type Stiffening Panel-Fourth Cross Member			
4	28A-01144	4	下垫板 - 第四横梁 Lower Mat Plate-Fourth Cross Member			
5	28A-01146	4	支架 - 制动管 Bracket-Brake Tube			
6	Q4501232	4	半圆头铆钉 Half-Round Head Rivet			
7	Q4501234	4	半圆头铆钉 Half-Round Head Rivet			

28A4DP5 第四横梁装配图 / 28A4DP5 FOURTH CROSS MEMBER

28-BA



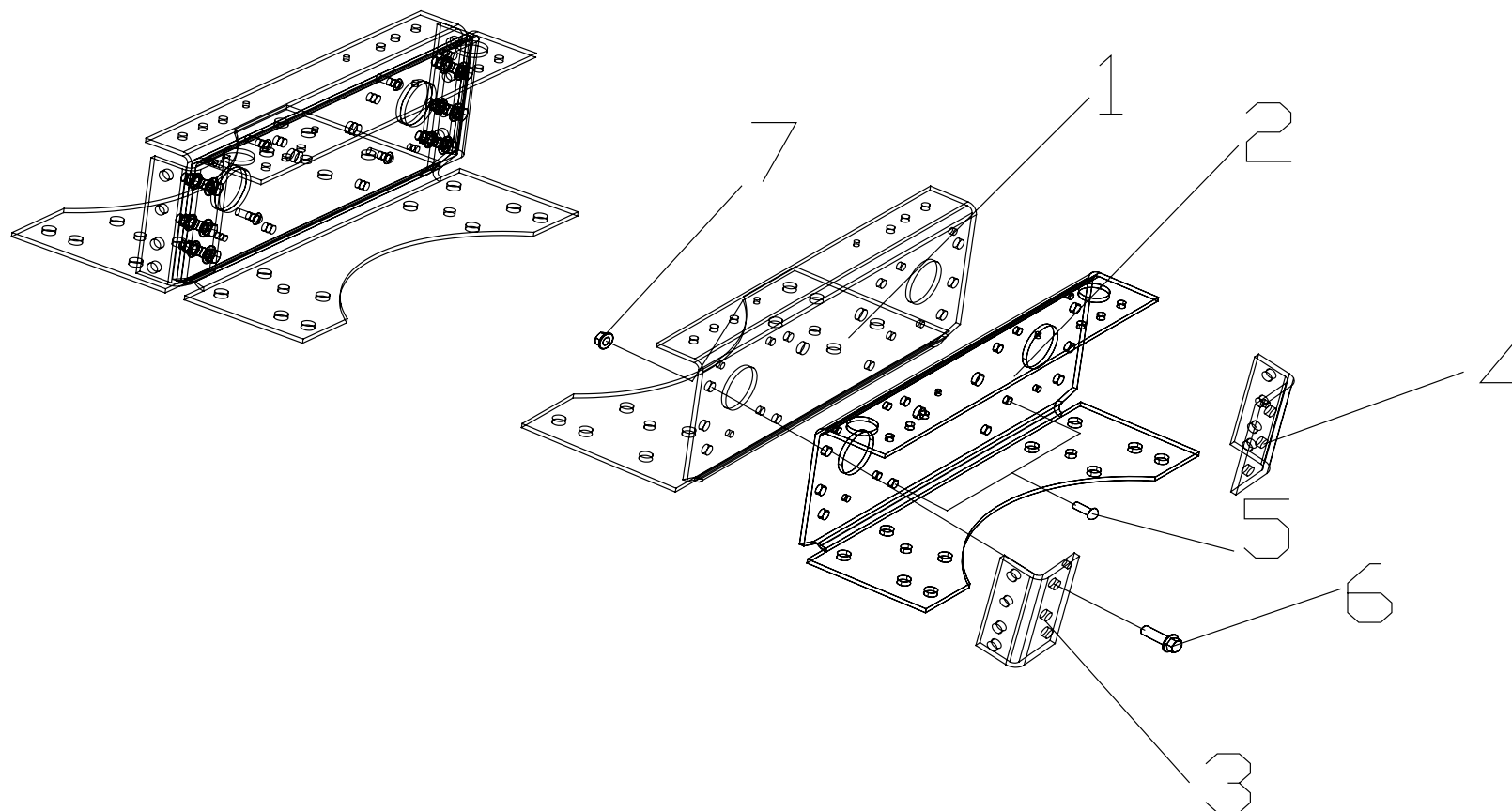
车架系统 / FRAME SYSTEM

28-210

序号 No.	件号 Part No.	数量 Quantity	名称 Name	规格 Specification	适用产品 Products Applied	备注 Remark
1	28A4DP5-01141	1	第四横梁 Fourth Cross Member			
2	28A-01142	1	托架 - 第四横梁 Bracket- Fourth Cross Member			
3	28A-01143	4	L 型加强板 - 第四横梁 L Type Stiffening Panel-Fourth Cross Member			
4	28A-01144	4	下垫板 - 第四横梁 Lower Mat Plate-Fourth Cross Member			
5	28A-01146	4	支架 - 制动管 Bracket-Brake Tube			
6	Q4501232	4	半圆头铆钉 Half-Round Head Rivet			
7	Q4501234	4	半圆头铆钉 Half-Round Head Rivet			

第五横梁装配图 / FIFTH CROSS MEMBER

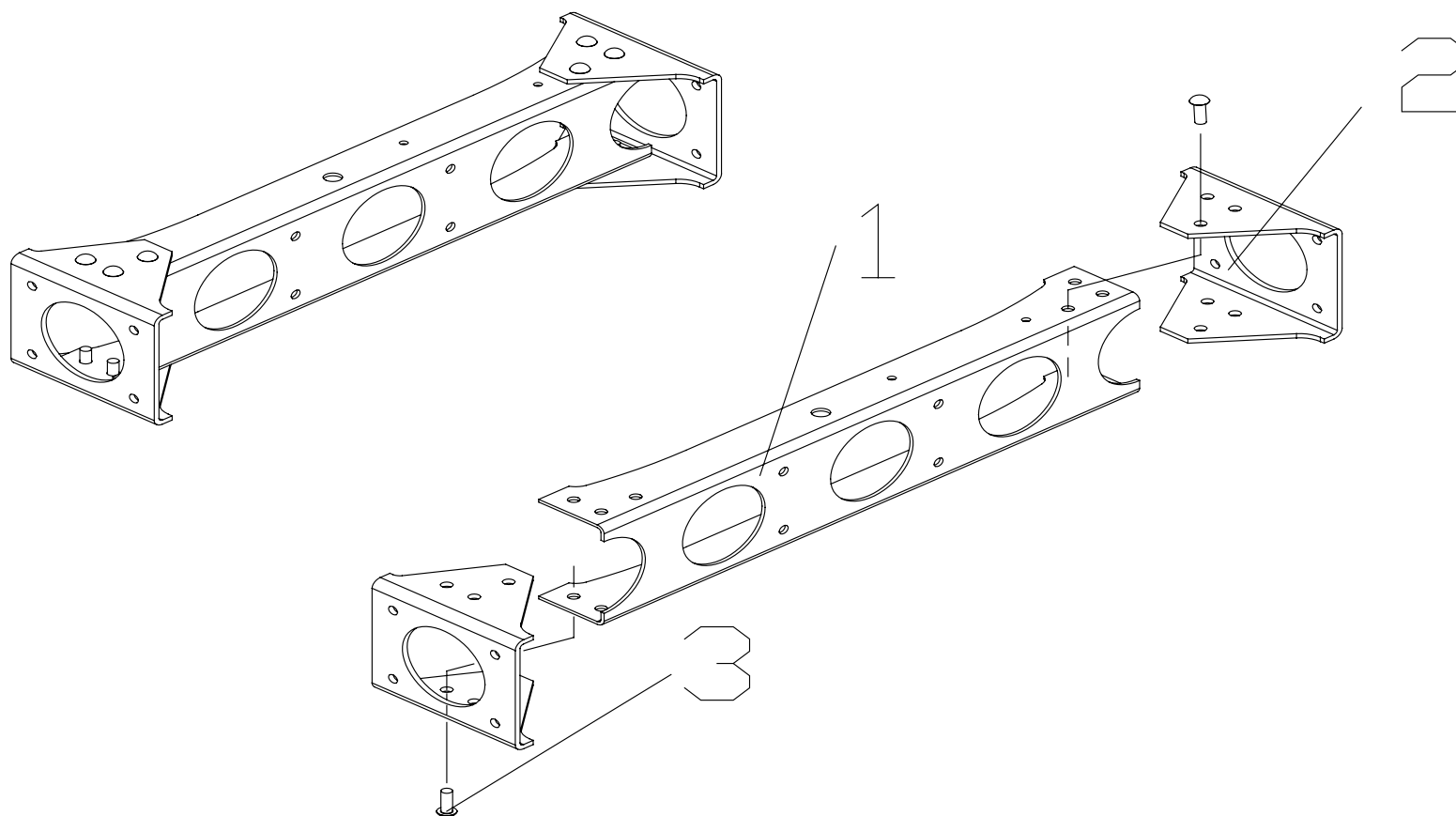
28-BB



序号 No.	件号 Part No.	数量 Quantity	名称 Name	规格 Specification	适用产品 Products Applied	备注 Remark
1	28AH2D-01151	1	第五横梁 -1 Fifth Cross Member-1			
2	28AH2D-01152	1	第五横梁 -2 Fifth Cross Member-2			
3	28A2D-01153	1	连接支架 -1 Connecting Bracket-1			
4	28A2D-01154	1	连接支架 -2 Connecting Bracket-2			
5	Q4501236	4	半圆头铆钉 Half-Round Head Rivet			
6	HQ1841655TF2	6	六角法兰面螺栓 (M16×1.5) Hexagon Bolt With Flange(M16×1.5)			
7	HQ320B16T13F2	6	六角法兰面螺母 (M16×1.5) Hexagon Nut With Flange(M16×1.5)			

28AP 传动轴中间支撑横梁图
28AP PROPELLER SHAFT CENTER SUPPORT CROSS MEMBER

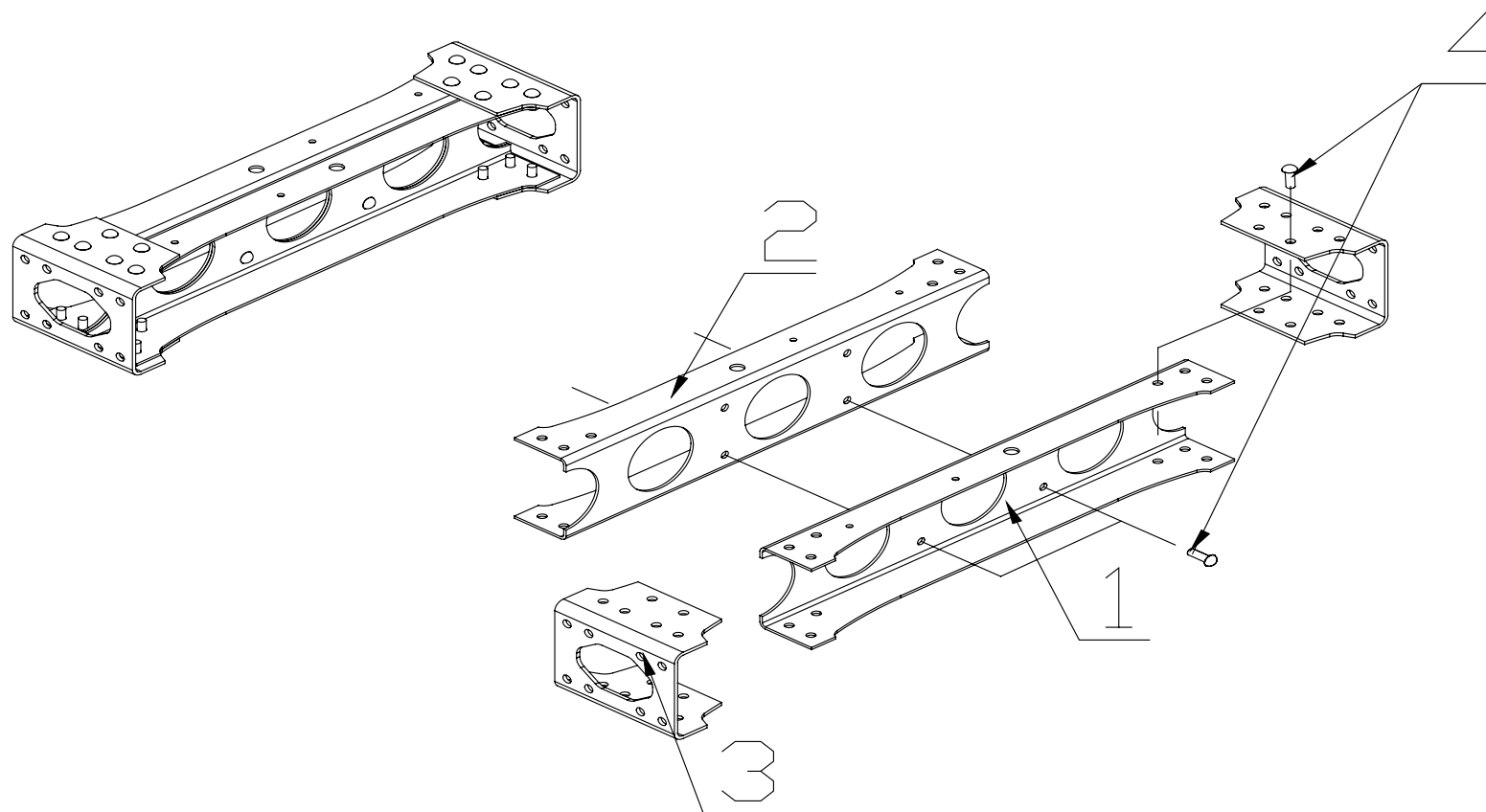
28-BC



序号 No.	件号 Part No.	数量 Quantity	名称 Name	规格 Specification	适用产品 Products Applied	备注 Remark
1	28AP-01151	1	传动轴中间支撑横梁 Propeller Shaft Center Support Cross Member		三菱动力 MITSUBISHI Engine	
	28A4DP-01151	1	传动轴中间支撑横梁 Propeller Shaft Center Support Cross Member		其它动力 Other Engine	
2	28AP-01152	2	连接支架 - 传动轴中间支撑横梁 Connecting Bracket-Propeller Shaft Center Support Cross Member		三菱动力 MITSUBISHI Engine	
3	Q4501230	12	半圆头铆钉 Half-Round Head Rivet			

28ADP7 第五横梁装配图 / 28ADP7 FIFTH CROSS MEMBER

28-BD



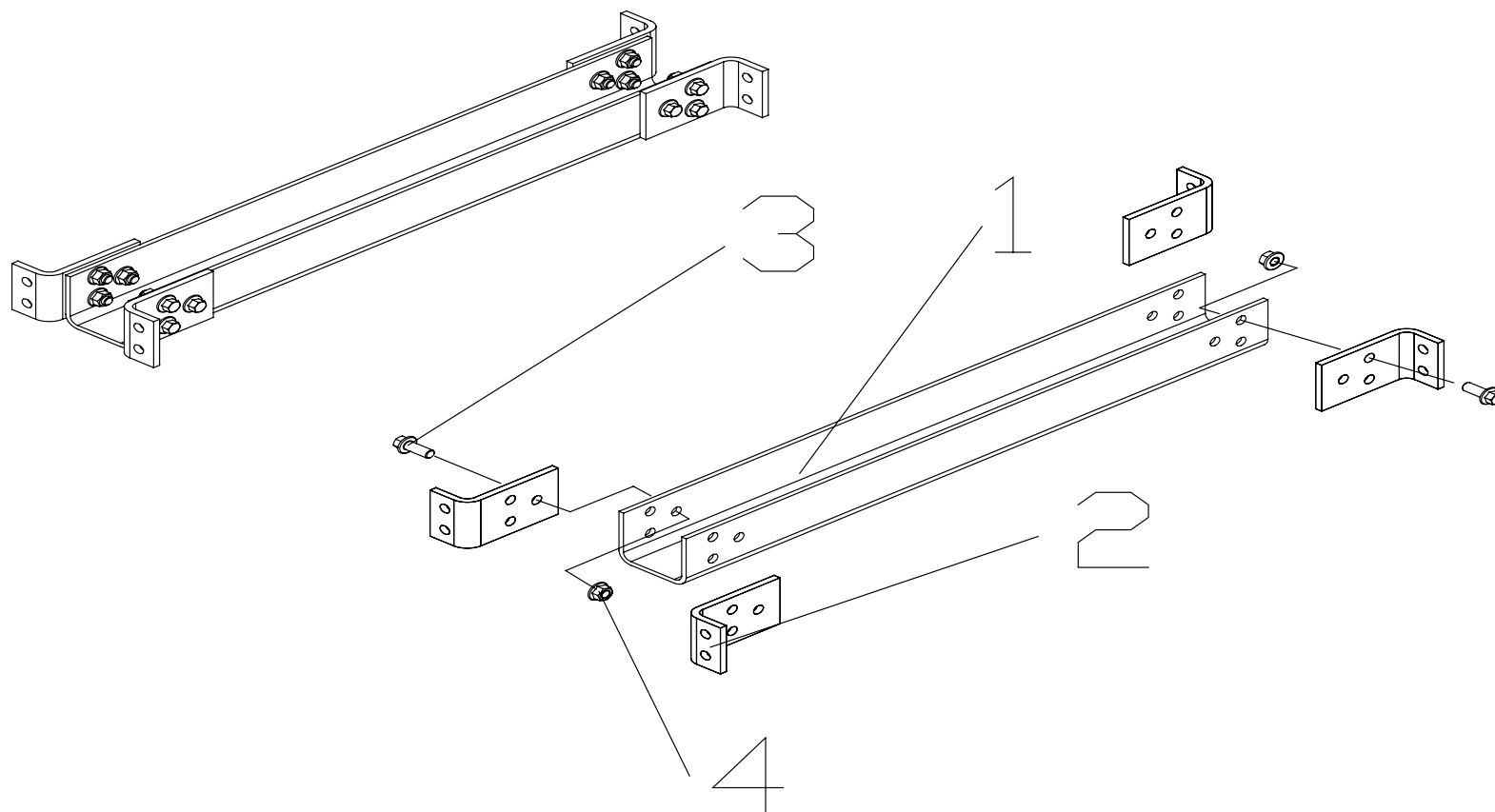
车架系统 / FRAME SYSTEM

28-216

序号 No.	件号 Part No.	数量 Quantity	名称 Name	规格 Specification	适用产品 Products Applied	备注 Remark
1	28AP-01151	1	传动轴中间支撑横梁 Propeller Shaft Center Support Cross Member			
2	28ADP7-01152	1	第五横梁 -2 Fifth Cross Member-2			
3	28ADP7-01153	2	连接支架 - 第五横梁 Connecting Bracket-Fifth Cross Member			
4	Q4501230	28	半圆头铆钉 Half-Round Head Rivet			

28A4DP8 传动轴中间支撑横梁装配图
28A4DP8 PROPELLER SHAFT CENTER SUPPORT CROSS MEMBER

28-BE



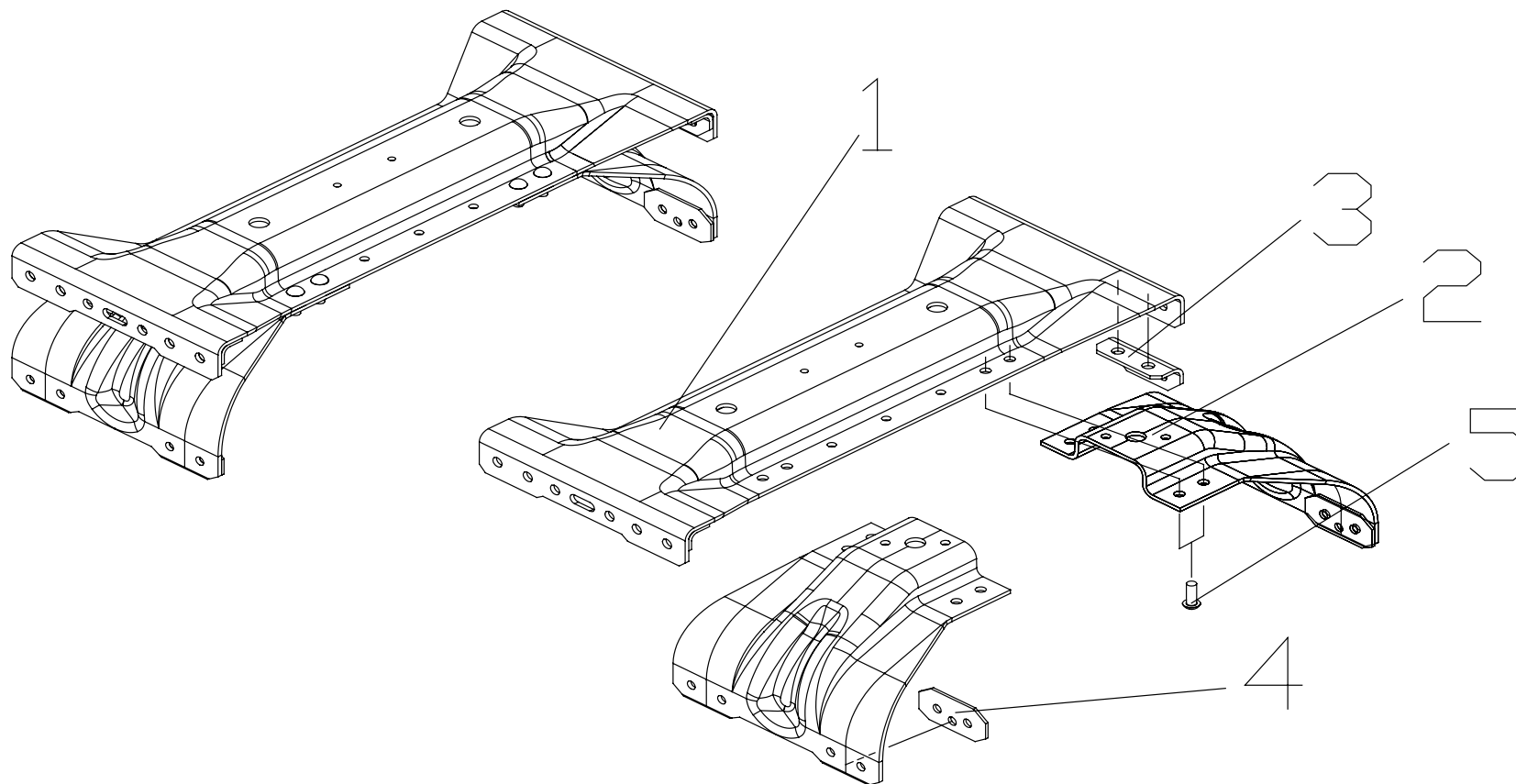
车架系统 / FRAME SYSTEM

28-218

序号 No.	件号 Part No.	数量 Quantity	名称 Name	规格 Specification	适用产品 Products Applied	备注 Remark
1	28A4DP8-01151	1	传动轴中间支撑横梁 Propeller Shaft Center Support Cross Member			
2	28A4DP8-01152	4	连接支架 Connecting Bracket			
3	HQ1841230TF2	12	六角法兰面螺栓 (M12×1.25) Hexagon Bolt With Flange(M12×1.25)			
4	HQ320B12T13F2	12	六角法兰面螺母 (M12×1.25) Hexagon Nut With Flange(M12×1.25)			

28AP 第六横梁装配图 / 28AP SIXTH CROSS MEMBER

28-BF



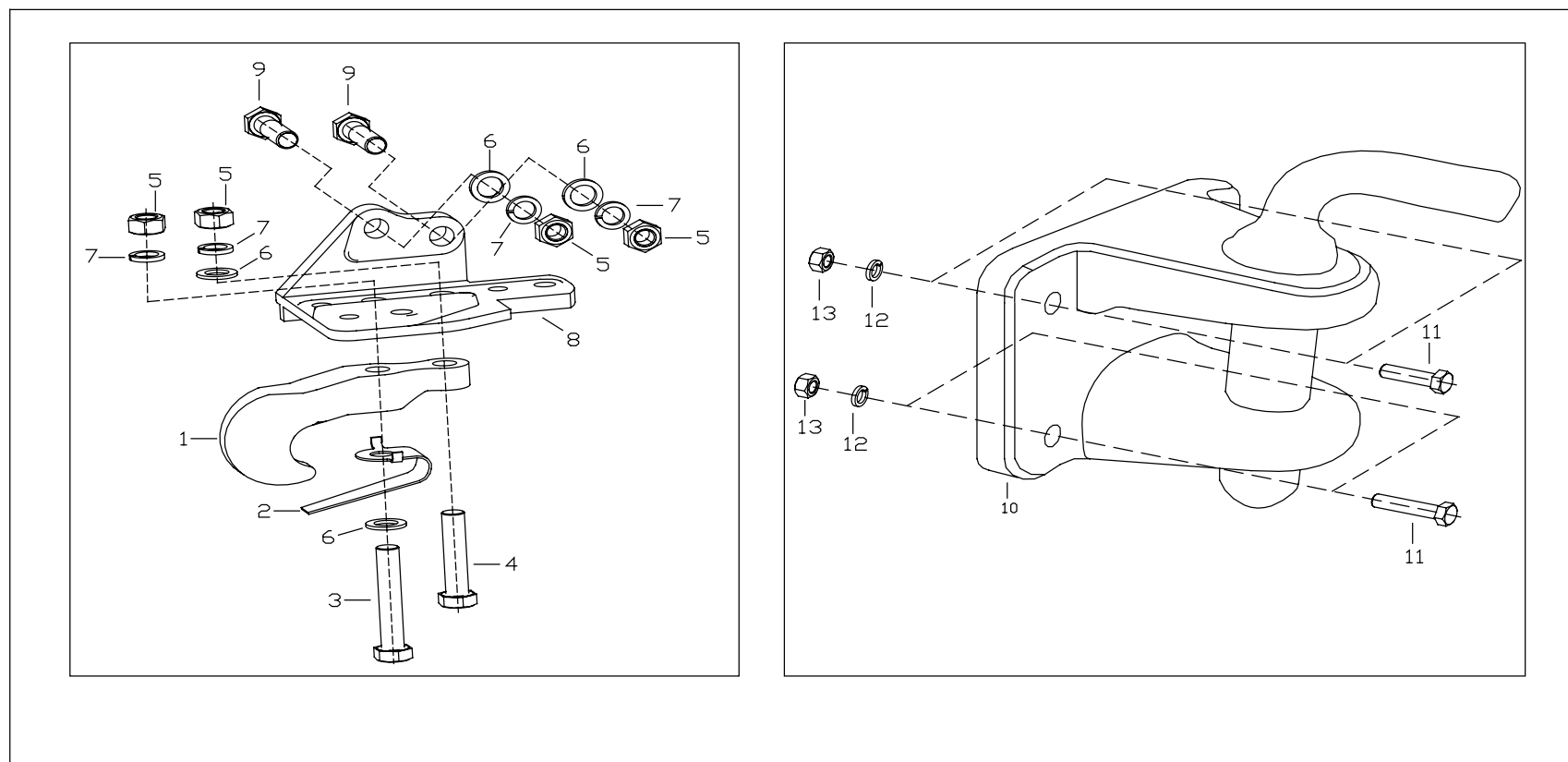
车架系统 / FRAME SYSTEM

28-220

序号 No.	件号 Part No.	数量 Quantity	名称 Name	规格 Specification	适用产品 Products Applied	备注 Remark
1	28AP-01161	1	第六横梁 Sixth Cross Member			
2	28AP-01162	1	托架 - 第六横梁 Bracket-Sixth Cross Member			
3	28A-01143	4	L 型加强板 - 第四横梁 L Type Stiffening Panel-Fourth Cross Member			
4	28A-01144	4	下垫板 - 第四横梁 Lower Mat Plate-Fourth Cross Member			
5	Q4501230	8	半圆头铆钉 Half-Round Head Rivet			

拖钩装置图 / TOWING HOOK

28-BG 所有车型 / All Models



车架系统 / FRAME SYSTEM

28-222

序号 No.	件号 Part No.	数量 Quantity	名称 Name	规格 Specification	适用产品 Products Applied	备注 Remark
1	28AD-06011	1	拖钩 Towing Hook			
2	28AD-06014	1	拖钩挡片 Towing Hook Stop Piece			
3	Q151B18105TF3	1	六角头螺栓 Hexagon Head Bolt			
4	Q151B1885TF3	1	六角头螺栓 Hexagon Head Bolt			
5	Q341B18T13F3	4	I型六角螺母 Hexagon Full Nut			
6	Q40118	4	平垫圈 Plate Washer			
7	Q40518	4	重型弹簧垫圈 Heavy Spring Washer			
8	28AD-06012	1	拖钩支架 Towing Hook Bracket			
9	Q151B1865TF3	2	六角头螺栓 Hexagon Head Bolt			
10	28ADQ-06020	1	后牵引钩 Rear Towing Hook			
11	Q151B1660	4	六角头螺栓 Hexagon Head Bolt			
12	Q40516	4	重型弹簧垫圈 Heavy Spring Washer			
13	Q341B16	4	I型六角螺母 Hexagon Full Nut			

