

华菱汽车备件目录图册

HUALING AUTOMOBILE SPARE PARTS MANUAL

下 册

VOLUME 3

安徽华菱汽车股份有限公司

ANHUI HUALING AUTOMOBILE CO.,LTD

前 言

华菱汽车是安徽华菱汽车股份有限公司在日本三菱重型卡车技术平台上自主研发的系列中高档重型卡车，包括了进口及国产多种功率发动机、多种变速箱、多种重型承载桥、多种轴距、多种驱动型式等。

本备件目录是参考安徽华菱汽车股份有限公司技术中心系列华菱汽车产品明细表编制的，它包含了华菱汽车股份有限公司现生产华菱汽车的部分车型的几乎所有部件，可供华菱汽车售后服务人员、华菱汽车用户订购汽车零部件及熟悉汽车结构用。

参照本手册可以找到您所需要的华菱汽车配件，及时解决故障。有时由于产品改进，您也有可能发现与书中不同的华菱汽车配件存在，使用时要确认车型及生产日期、批号，以保证您能够找到正确的配件。

由于时间关系，再加上参加编写的人员水平有限，本书中难免存在疏漏及错误之处，这里诚恳地欢迎您批评指正，以便在下次出版时更正，同时也为因此给您带来的不便表示真诚的歉意。

版权说明:

本书部分内容引用了配套件公司的资料，版权归原配套件公司所有，其他版权归安徽华菱汽车股份有限公司所有。

华菱公司保留对本手册进行改进的权利，如有变更，恕不另行通知。本手册最终解释权归安徽华菱汽车股份有限公司所有。

安徽华菱汽车股份有限公司
技术与开发中心
2007年6月10日

Preface

Hualing trucks are a series of middle and high-class heavy-duty trucks which are developed independently by Anhui Hualing Automobile Co.,Ltd on the technical platform of Mitsubishi (Japan)heavy-duty truck, including imported or domestic engines of various horsepowers, transmissions, heavy-duty axles,wheelbases and driving modes.

The manual is compiled according to the list of Hualing vehicle series from Technology Center of Anhui Hualing Automobile Co.,Ltd. It includes almost all parts of some models in production in the company and can be served for after-sale service personnel and customers to order spare parts, and enhance the familiarity with structure of trucks.

With reference to the manual, you can find the desired parts of Hualing trucks and clear malfunctions timely. Some Hualing parts may be different from those in the manual for the improvement of products. Therefore, vehicle model, production date and serial number should be confirmed priorly to ensure the right choice of parts.

Limited by time and knowledge of the compliers, the negligence and inaccuracy is inevitable in this manual. Your kindly comment and recommendation are much appreciated for the revision in next edition. Please accept our sincere apologies for the inconveniences hereby.

Explanation to Copyright:

The manual may quote our suppliers' information and its copyright is reserved by the relevant suppliers. Any other copyright is reserved by Anhui Hualing Automobile Co., Ltd.

Hualing company reserves the right to mend this manual without prior notice. The company's interpretation shall prevail.

Anhui Hualing Automobile Co., Ltd.
Technical Research & Development Center
Jun. 10, 2007

使用说明

1、华菱汽车是包含一百多种变型的系列产品，同时各车型采用模块式组合方式，所用总成通用化程度较高，且同一系列总成的零件通用化程度也高，因此本备件目录不是单一车型的备件目录，总成也不是单一总成产品的备件目录，而是适应所有变型产品的备件目录，其编排也是按照模块化结构，以总成为基本单元，总成的各种变型产品都包含在该基本单元内。例如发动机单元，不与某一车型直接挂钩，而是独立于各车型，将华菱汽车所常用的系列发动机如：康明斯发动机 C260 20、C300 20、L345 20、L37520、斯太尔发动机 WD615. 50、WD615. 31、WD615. 34、WD615. 38 等编在一个单元内。由于同一配套厂家的发动机属于系列产品，结构相同，同一系列不同机型的某一部分可共用一张零部件爆炸图，给备件目录的编排带来了方便，也便于了解该配套厂家不同机型发动机的结构部件的差别。车架装置图以基本型为基础进行命名，相似车型车架可在基本型装置图上查找，如 3200+1350 轴距牵引车车架总成以相应康明斯动力牵引车车架总成 28AH4DQ15-00010 为基本型，其余动力车型车架与其共用爆炸图。

2、本备件目录的查阅方法

- (1) 查看车辆识别代号及发动机铭牌，确定汽车车型代号、发动机型号及生产日期、批次，具体含义见《安徽华菱汽车股份有限公司车辆识别代号 (VIN) 编制规则》，了解本车型采用了哪些配置等基本信息。
- (2) 查阅《华菱汽车基本配置明细表》，根据车型查寻装用基本总成的型号名称。
- (3) 根据装用总成的型号名称查阅目录，确定所查总成装置图在本书中的图号及页次。
- (4) 基本配置明细表中没有的系统总成，查阅各总成爆炸图目录，确定所查系统总成爆炸图在本书中的图号及页次。
- (5) 对于型号唯一的总成可根据图上所注序号查出零件编号。
- (6) 对于有多种变型的总成可根据图上所注序号查出一个或多个零件编号，再根据适用产品可以唯一确定某种型号总成所用到的该种零件的编号。如下表：

Instruction

1. Hualing automobile is a series of products including more than 100 models. Owing to the module technique designed for various models, it has a high interchangeability in the complete assembly as well as parts of the same series assembly. Therefore, this manual is not a catalog of spare products for single vehicle model or single assembly but for all modified products. It is also compiled with the module technique. The assembly is taken as a basic unit which contains all modified products of the assembly. For example, the unit of engine is not connected with but independent on defined models. The common engine series used in Hualing vehicles, for example, CUMMINS engines C260 20, C300 20, L345 20 and L375 20, and WD615.50, WD615.31, STEYR WD615.34 and WD615.38 are listed in one unit. The engines supplied by the same producer are classified as one product series with same structure and some sections in various models of the same series may share one parts drawing. This facilitates the compilation of the manual and helps the understanding of the structural differences between the components of various engine models of one supplier. The drawing of frame is named according to its basic structure and the frames of similar models may be found at the basic drawing. For example, the frame assembly 28AH4DQ15-00010, used in the tractor equipped with CUMMINS engines, is the basic type of that in the 3200+1350-Wheel base-long tractor. Other tractors with different engines share the same frame drawing.

2. Searching in this spare parts manual

- (1) Check the identification number of the vehicle and the name plate of its engine to determine the model number of the vehicle, engine model, production date and batch number. For the detail information, see “Rules on Compilation of Vehicle Identification Number in Anhui Hualing Automobile Co.,Ltd” to understand the basic data such as the configuration of this model, etc.
- (2) Check “ Basic Configuration List Of HUALING Automobile” and determine the model of the basic assembly installed according to the model.
- (3) Search the target assembly drawing in the manual according to the model of the basic assembly and confirm its drawing number and page number in this manual.

- (4) In case of absence of the target assembly in the basic configuration list, search in the content of the assembly exploded drawings to determine the target assembly exploded drawing number and page number in this manual.
- (5) For the assembly with the definite model, its parts number can be found according to the item number marked on the drawing.
- (6) For the assembly with different models, one or more numbers can be found according to the item number marked on the drawing and the number of the installed part in the assembly model can be then determined solely according to the applicable product, as shown in the following table:

序号 No.	件号 Part No.	数量 Quantity	名称 Name	规格 Specification	适用产品 Products Applied	备注 Remark
1	28AD-01151	1	第五横梁 -1 Fifth Cross Member - 1		装三菱 6×4 驱动桥 6×4 MITSUBISHI Driving Axle	
	28A2D-01151	1	第五横梁 -1 Fifth Cross Member - 1		装斯太尔 6×4 驱动桥 6×4 STEYR Driving Axle	
	28A4D-01151	1	第五横梁 -1 Fifth Cross Member - 1		装 457 6×4 驱动桥 6×4 457 Type Driving Axle	

从表中可以查明装 457 6×4 驱动桥车架的第五横梁所用序号 1：第五横梁 -1 的零件编号为 28A4D-01151，数量为 1 件。

From the table above, the number of fifth cross member-1 used in the frame with 6×4 457 type driving axle is 1. Its part number is 28A4D-01151 and quantity is 1.

(7) 各总成爆炸图格式如下:

(7) The format of the exploded drawings of all assembly is as follows:

(Page Number)

10-5(页码) 华菱汽车备件目录图册 /HUALING AUTOMOBILE SPARE PARTS MANUAL

缸体组 (BB 9171)(爆炸图名称)/CYLINDER BODY(BB 9171) (Name Of Exploded Drawing)

10-B(图号)
(Drawing Number)

(附图)
(Attached Figure)

(8) 零件明细表格式如下:

(8) The format of the part list is as follows:

(Page Number)

发动机系统 (系统名称, 仅限明细表)/ENGINE SYSTEM (NAME,ONLY FOR LIST)68-8(页码)

序号 No.	件号 Part No.	数量 Quantity	名称 Name	规格 Specification	适用产品 Products Applied	备注 Remark
1	3909025	6	六角法兰面螺栓 Hexagon Bolt With Flange		L375 20	
2	3944153	7	曲轴瓦下瓦 Crankshaft Lower Bearing Shell		L375 20	
3	3944158	6	曲轴瓦上瓦 Crankshaft Upper Bearing Shell		L375 20	
					若该栏为空则所有产品均适用 If this column is empty,it applys for all products	

3、 例外说明

- (1) 华菱汽车除了基本配置总成外，还根据需要选装其他型号总成，如驾驶室翻转机构，由几个配套厂家供货，型号及形式不同，但可以通用，查阅时应确认所认购车型是否采用了特殊选用装置。如是，则应查阅该选装总成的配置图及零件明细表。
- (2) 个别总成中分总成也存在多项选择，如发动机喷油泵有 BOSCH 泵和无锡欧亚泵，查阅有关备件时应先确认发动机装用何种泵。
- (3) 传动轴总成备件目录以车型为基础编制，根据目录查到传动轴部分，找到所查车型号，即可在该车型下查到传动轴总成编号。由于传动轴也为系列产品，仅轴管长度不同，其它件相同。因此在查到传动轴总成编号后，如需查阅零件，则在总成备注栏查出以万向节直径为代号的标志如“ $\phi 52$ ”，然后在目录中查出“传动轴部件”的页次，在该页即可查到该“ $\phi 52$ 型传动轴”总成的零件编号。
- (4) 在某一机型中同一序号上有多个零件编号时，如无说明，则表明不同编号的零件互相通用，可任选其一。
- (5) 代表零件的唯一正确标志是零件编号，购买配件时，在配件目录中查到该部件确认后，应写明零件编号、名称及数量。
- (6) 对具有多种变型的总成，如驾驶室的各组成部件，在名称、适用产品或备注栏中无特别说明时，则表明该部件所有驾驶室通用。
- (7) 书中适用产品栏主要用来说明零件的适用范围，可以根据总成不同有不同的表述，以清楚明了为原则，若该栏为空则所有产品均适用。
- (8) 备注栏主要用于说明其它栏没有说明的事项，视情况决定是否注明。
- (9) 由于篇幅有限，所以并不是把所有的华菱汽车的基本配置都列在了本备件目录中，只是给出了有代表性的关键配置，查不到的关键总成见其单行本，由此造成的不便敬请谅解。

安徽华菱汽车股份有限公司
技术与开发中心
2007年6月10日

3. Exception

- (1) In addition to the general assembly of basic configuration, other models assembly may be selected on demand. For example, the cab tilting devices are provided by several suppliers. Although their models and structures are different, they can be replaced with each other. While searching in the manual, it shall be confirmed whether the special devices are installed in the selected vehicle model. If installed, the configuration drawings and part list relating to this assembly shall be referred.
- (2) In some assemblies, the multiple options may be possible. For example, there are two types of oil pumps in the engine, BOSCH pump and Wuxi Eurasia pump. Which pump is installed in the engine shall be confirmed prior to the searching of the spare parts.
- (3) The manual of the driving shaft assembly is compiled according to vehicle model. Find the model code of the vehicle in the part of propeller shaft first, then the number of its propeller shaft assembly can be found in this model. The propeller shafts are also series products and different only in length. Therefore, if a part is to be searched after general assembly code of propeller shaft is determined, just find the mark like “Φ52” which is coded by the diameter of the universal joint in remark column of the general assembly. Then the page number of the propeller shaft components in the manual, and finally the part number of the “Φ52 type propeller shaft” assembly can be found in this page.
- (4) Unless otherwise mentioned, the part numbers given for the same item number in one model are replaceable and optional.
- (5) The sole correct sign for parts is its code. Therefore, the part number, name and quantity of a component shall be recorded after it has been confirmed in the spare parts manual.
- (6) For assemblies with more varieties such as components of driver cab, they are suitable for all cabs unless otherwise mentioned in column of name, product applied or remark.
- (7) The column of products applied is mainly used to describe applicable range of the parts. The description may be different due to different general assembly with the principle of clear description. If the column is blank, the corresponding part is applicable to all products.
- (8) The remark column is mainly used for the matters not mentioned in other columns. Whether it is applicable or not depends on the actual situations.
- (9) Limited by length of the manual, not all basic configurations of Hualing vehicles are listed and only typical key configurations are given. For key assemblies not included in this manual, refer to its separate edition and we apologize to you for inconvenience hereby.

Anhui Hualing Automobile Co., Ltd.
Technical Research & Development Center
Jun. 10, 2007

安徽华菱汽车股份有限公司车辆识别代号 (VIN) 编制规则

Coding Rules of Vehicle Identification Number (VIN) in Anhui Hualing Automobile Co.,Ltd

车辆识别代号的内容与构成 /Contents and Components of VIN

L	Z	5	M	1	A	B	1	1	1	A	0	0	0	0	0	1
1	2	3	4	5	6	7	8	9	10	11	12	13	14	15	16	17
制造商 Manufacturer			驾驶室类型 Driver Cab Type	车辆类型 Vehicle Type	发动机类型 Engine Type	最大总质量或车辆长度 Max. Total Mass Or Vehicle Length	驱动形式或发动机布置形式 Driving Mode Or Engine Arrangement Type	检验位 Inspection Locations	年份 Year	装配厂 Assembling Factory	生产顺序号 Production Serial Number					

1 第一部分：世界制造厂识别代号 (WMI) /Section I: World Manufacturer Identifier (WMI)

第①~③位代码——世界制造厂识别代号 (WMI) /Codes of position 1 to 3: World Manufacturer Identifier (WMI)

代码 Code	制造厂名称 Manufacturer
LZ5	安徽华菱汽车股份有限公司 Anhui Hualing Automobile Co., Ltd.

2 第二部分：车辆说明部分 (VDS) /Section II: Vehicle Descriptive Section (VDS)

第④位代码——车身、驾驶室 /Code of position 4: Vehicle Body And Cab

代码 Code	产品特征 Product Description	代码 Code	产品特征 Product Description
M	平头驾驶室 Forward Control Cab	N	平顶驾驶室 Flat Roof Cab
P	长头驾驶室 Conventional Cab	Y	长头带卧铺驾驶室 Conventional Sleeper Cab
R	高顶驾驶室 High Roof Cab	S	平头双排座驾驶室 Forward Double Cab
T	平头单排座驾驶室 Forward Single Cab	U	客车单门 Single-Door Of Bus
V	客车双门 Double-Door of Bus	W	窄体驾驶室 Narrow Body Cab
X	客车及三类底盘 Bus And Class III Chassis		

第⑤位代码——车辆类型 /Code of Position 5: Vehicle Type

代码 Code	产品特征 Product Description	代码 Code	产品特征 Product Description
1	客车 Bus	2	货车二类底盘 Truck With Class II Chassis
3	客车三类底盘 Bus With Class III Chassis	4	半挂牵引车 Semitrailer Tractor
5	货车 Truck		

第⑥位代码——发动机类型 / Code of Position 6: Engine Type

代码 Code	燃油类型 Fuel Type	排量 (L) Displacement (L)	代码 Code	燃油类型 Fuel type	排量 (L) Displacement (L)
A	柴油 Diesel	$3 < L \leq 5$	B	柴油 Diesel	$5 < L \leq 8$
C	柴油 Diesel	$8 < L \leq 11$	D	柴油 Diesel	$11 < L \leq 14$
E	柴油 Diesel	$14 < L \leq 17$	F	天然气 Natural Gas	$5 < L \leq 8$

第⑦位代码——货车及其底盘用最大总质量 (T) 表示，客车及其底盘用车辆长度 (L) 表示

Code of Position 7: T Indicates Max. Total Weight Of Truck And Its Chassis, L Indicates Vehicle Length Of Bus And Its Chassis

货车 (自卸、牵引、越野) 及底盘 (单位: T) Truck (Dumper, Tractor, Off-Road) And Chassis (In Tons)			
代码 Code	最大总质量 Max. Total Weight	代码 Code	最大总质量 Max. Total Mass
A	$10 \leq T < 15$	B	$15 \leq T < 20$
C	$20 \leq T < 25$	D	$25 \leq T < 30$
E	$30 \leq T < 35$	F	$35 \leq T < 40$
G	$40 \leq T < 45$	H	$45 \leq T < 50$
J	$50 \leq T < 55$		

客车及客车底盘 (单位: m) Bus And Chassis (In Meters)			
代码 Code	车辆长度 Vehicle Length	代码 Code	最大总质量 Max. Total Mass
1	$5 \leq L < 7$	2	$7 \leq L < 9$
3	$9 \leq L < 11$	4	$11 \leq L < 13$
5	$13 \leq L < 15$	6	$L > 15$

第⑧位代码——驱动形式及发动机布置形式 / Code of Position 8: Driving Type and Engine Arrangement Type

驱动形式 (货车及二类底盘、半挂牵引车) Driving Type (Truck And Class II Chassis, Semitrailer)			
代码 Code	驱动形式 Drive Type	代码 Code	驱动形式 Driving Type
1	4×2	2	4×4
3	6×4	4	6×2
5	8×4	6	10×4
7	6×6	8	8×8
9	8×2	A	8×6

代 码 Code	驱 动 形 式 Driving Type	代 码 Code	驱 动 形 式 Driving Type
B	10×2	C	10×6
D	10×8	E	10×10
发动机布置形式（客车及三类底盘） Engine Arrangement Type (Bus and Class III Chassis)			
代 码 Code	发 动 机 位 置 Engine Position	代 码 Code	发 动 机 位 置 Engine Position
1	前置 Front	2	中置 Middle
3	后置 Rear		

第⑨位代码——检验位 /Code of Position 9: Inspection Location

3 第三部分：车辆指示部分 (VIS) /Section III: Vehicle Indicator Section (VIS)

第⑩位代码——年份 /Code of Position 10: Year

年份 Year	代码 Code	年份 Year	代码 Code	年份 Year	代码 Code	年份 Year	代码 Code
1999	X	2002	2	2005	5	2008	8
2000	Y	2003	3	2006	6	2009	9
2001	1	2004	4	2007	7	2010	A

第⑪位代码——装配厂 /Code of Position 11: Assembling Factory

代码 Code	含义 Description	代码 Code	含义 Description
A	湖南衡阳工厂 Hunan Hengyang Factory	B	安徽马鞍山工厂 Anhui Ma'anshan Factory

第⑫～⑰位代码——生产顺序号 /Codes Of Position 12 to 17: Production Serial Number

4 车辆识别代号的标记位置和固定方式 /Marking Location and Fixing Method of VIN

- 1) VIN 直接打刻于车架上，N 类车型位于车架右纵梁中前部；M 类车型位于车架右纵梁前部。其他要求见附录 A。
 - 2) VIN 直接打刻在整车标牌上，N 类车型的标牌铆接在驾驶室右侧，二级踏板上方；M 类车型的标牌铆接在右侧门踏板附近。其他要求见附录 A。
 - 3) 另见附录 A 车辆识别代号标记型式申报表、车辆识别代号标记位置和固定方式申报表。
- 1) VIN is directly engraved on the vehicle frame, at middle-front area of main sill (right) in case of N type vehicle model and at front area of main sill (right) in case of M type. For other requirements, refer to annex A.
 - 2) VIN is directly engraved on the name plate of the vehicle, above the secondary pedal at the right side of the cab in case of N type vehicle model and near the right door pedal in case of M type. For other requirements, refer to annex A.
 - 3) Also refer to Application Form VIN Marking Application Form and Table of VIN Marking Location and Fixing Method in Annex A.

附 录 A/Annex A
(规范性附录) / (Normative)
申请表 /Application Form

车辆识别代号标记型式申报表

Application Form of VIN Marking Type

车辆生产企业名称: 安徽华菱汽车股份有限公司

Name of Manufacturer: Anhui Hualing Automobile Co., Ltd.

企业标准代号: Q/HLJ1-2006

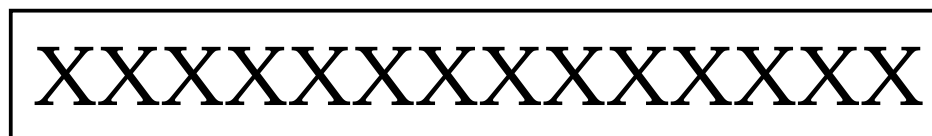
Standard Code Of Enterprise: Q/HLJ 1-2006

车辆类型: N 及 M

Vehicle Type: N And M

生效日期: 2006 年 10 月 1 日

Effective Date: Oct. 1,2006



车辆识别代号标记型式示意图 /Illustration Of VIN Marking Type

车辆识别代号标记型式说明 /Description Of VIN Marking Type

直接打刻在大梁上的 VIN 代码字高 8mm, 字宽 6mm; /VIN code directly engraved on the main sill: 8mm high, 6mm wide;

标记在标牌上的 VIN 代码字高 6mm, 字宽 4mm; 标牌使用不锈钢材质, 标牌长度 16cm, 宽度 10cm。/VIN code marked on the name plate: 6mm high, 4mm wide; name plate: stainless steel, 16cm long, 10cm wide.

车辆识别代号标记位置和固定方式申报表

Application Form of VIN on Marking Location and Fixing Method

车辆生产企业名称及类型: 安徽华菱汽车股份有限公司

Name And Type Of Manufacturer: Anhui Hualing Automobile Co., Ltd.

企业标准代号: Q/HLJ

Standard Code Of Enterprise: Q/HLJ 1-2006

车辆类型: N 及 M

Vehicle Type: N And M

生效日期: 2006 年 10 月 1 日

Effective Date: Oct. 1,2006

说明 /Note:

N 类车型的标牌固定在驾驶室右侧，二级踏板上方，采用铆接方式固定；打刻在大梁上的 VIN 代码位于大梁右侧中前部。

In case of N type vehicle, the name plate is riveted above the secondary pedal at the right side of the cab; the VIN code engraved on the main sill (right) is located at the middle-front area.

M 类车型的标牌固定在右侧门踏板附近，采用铆接方式固定；打刻在大梁上的 VIN 代码位于大梁右侧前部。

In case of M type vehicle, the name plate is riveted near the right door pedal; the VIN code engraved on the main sill (right) is located at the front area.

华菱汽车基本配置明细表

BASIC CONFIGURATION LIST OF HUALING AUTOMOBILE

华菱汽车基本配置明细表

BASIC CONFIGURATION LIST OF HUALING AUTOMOBILE

车型名称 Model Name	前轴 Front Axle				驱动桥 Driving Axle				发动机 Engine								取力器 Power Take-Off	
	分度圆直径 Graduated Circle Diameter 解放刚性前桥 JIEFANG Steel Front Axle		分度圆直径 Graduated Circle Diameter 泰州刚性前桥 TAIZHOU Steel Front Axle		457 单后桥 457 Single Rear Axle	STEYR 单后桥 STEYR Single Rear Axle	457 串联桥 457 Tandem Axle	STEYR 串联桥 STEYR Tandem Axle	C260 20	C300 20	L345 20	L375 20	WD615.31	WD615.34	WD615.38	WD615.50	康明斯取力器 CUMMINS Power Take-Off	斯太尔取力器 STEYR Power Take-Off
	φ 285.75	φ 335	φ 285.75	φ 335														
HN1210P26E3MJ		○		○	4.875				√									
HN1250G4DJ		○		○			4.875			√								
HN1250G26E8MJ		○		○			4.875		√									
HN1310G3DJ		○		○				5.73							√			
HN3220P28D7M		○		○				4.80					√					
HN3250P26D4MJ		○		○				5.73								√		
HN3250P34C6MJ		○		○				5.73					√					
HN3250P35D4MJ		○		○				5.73					√					
HN3250P34C6M		○		○				5.73			√						√	
HN3250P34C6M		○		○				5.73							√			
HN3250G6D		○		○				5.833			√							
HN3250P34C6MJ		○		○				5.833						√				√

注：“√”代表基本配置，“○”代表定货时可选配置。

Note: “√” Standard, “○” Optional

华菱汽车基本配置明细表

BASIC CONFIGURATION LIST OF HUALING AUTOMOBILE

车型名称 Model Name	离合器 Clutch						变速箱 Transmission				转向器 Steering Gear		ABS	车架（以轴距为分类标准） Frame(Classified By Wheelbase)												备注 Remark
	FD430A-175	FD430A-195	FD430A-195H	FD430A-225	FD430A-L30	SACHS	9JS119	9JS150T-B	12JS160T	RT-11509C	ZF8098	ZJ110	4S/4M D-BASIC	3600+1350	4400+1350	4100+1350	3200+1350	3400	4710+1350	5220+1350	5850+1350	1850+3370+1350	1850+4000+1350	1850+4605+1350	1850+5310	
HN1210P26E3MJ		√								○	○															√
HN1250G4DJ		√								○	○									√						
HN1250G26E8MJ		√						√		○	○										√					
HN1310G3DJ					√				√	○	○													√		
HN3220P28D7M				√						○	○								√							
HN3250P26D4MJ		√							√	○	○			√												
HN3250P34C6MJ				√					√	○	○		√													
HN3250P35D4MJ				√				√		○	○				√											
HN3250P34C6M				√						○	○		√													
HN3230P4C6W		√								○	○		√													
HN3250G6D		√								○	○		√													
HN3250P34C6MJ				√					√	○	○		√													

注：“√”代表基本配置，“○”代表定货时可选配置。

Note: “√” Standard, “○” Optional

华菱汽车基本配置明细表

BASIC CONFIGURATION LIST OF HUALING AUTOMOBILE

车型名称 Model Name	前轴 Front Axle				驱动桥 Driving Axle				发动机 Engine						取力器 Power Take-Off			
	分度圆直径 Graduated Circle Diameter 解放刚性前桥 JIEFANG Steel Front Axle		分度圆直径 Graduated Circle Diameter 泰州刚性前桥 TAIZHOU Steel Front Axle		457 单后桥 457 Single Rear Axle	STEYR 单后桥 STEYR Single Rear Axle	457 串联桥 457 Tandem Axle	STEYR 串联桥 STEYR Tandem Axle	C260 20	C300 20	L345 20	L375 20	WD615.31	WD615.34	WD615.38	WD615.50	康明斯取力器 CUMMINS Power Take-Off	斯太尔取力器 STEYR Power Take-Off
	φ 285.75	φ 335	φ 285.75	φ 335														
HN3270P34DLMJ		○		○				5.73			√							
HN3270P5DLWJ		○		○				5.730							√			
HN3310P34C3MJ		○		○				5.73					√					
HN3310P34C3MJ		○		○				5.73					√					
HN3310P34C3MJ		○		○				5.833			√					√		
HN4180G1C4W		○		○		4.800					√							
HN4180G6D		○		○		4.8									√			
HN4180G1C4W		○		○		4.800							√					
HN4250G4CLW		○		○				4.8			√							
HN4250G38CLM		○		○				4.80						√				
HN4250G38CLM		○		○				4.80			√							
HN3250P26D4M		○		○				5.833							√			

注：“√”代表基本配置，“○”代表定货时可选配置。

Note: “√” Standard, “○” Optional

目 录

CONTENT

10、发动机系统 /ENGINE SYSTEM

图号 No. Of Figure	名称 Name	适用产品 Products Applied	备注 Remark	页次 Page
10-A	参数牌组 (AP9481) PARAMETER PLATE SET(AP9481)	L375 20、L345 20		10-1
10-A	缸体冷却管路组 (BB9216) CYLINDER BLOCK COOLING LINE SET(BB9216)	L375 20		10-1
10-B	缸体组 (BB 9171) CYLINDER BLOCK SET(BB 9171)	L375 20、L345 20		10-3
10-B	缸体组 (BB 9171) CYLINDER BLOCK SET(BB 9171)	L375 20、L345 20		10-5
10-C	冷却液辅助连接管组 (CH9087) COOLANT SUB-CONNECTING PIPE SET (CH9087)	东风康明斯系列 DONGFENG CUMMINS Series		10-7
10-C	缸体管路连接件组 (BB9213) BLOCK LINE CONNECTOR SET(BB9213)	L375 20、L345 20		10-7
10-D	齿轮室组 (BB9881) GEAR HOUSING SET(BB9881)	东风康明斯系列 DONGFENG CUMMINS Series		10-9
10-E	曲轴箱通风组 (BR 9239) CRANKCASE VENTILATION SET(BR 9239)	L375 20、L345 20		10-11
10-E	空压机冷却水管组 (CC9297) AIR COMPRESSOR COOLING PIPE SET(CC9297)	L375 20、L345 20		10-11
10-F	空压机组 (CP9510) AIR COMPRESSOR SET(CP9510)	L375 20、L345 20、C230 20、C325 20		10-13
10-F	变速箱第一前轴承 (CL 9079) TRANSMISSION NO.1 FRONT SHAFT BEARING(CL 9079)	L375 20、L345 20		10-13

图号 No. Of Figure	名称 Name	适用产品 Products Applied	备注 Remark	页次 Page
10-G	扭振减振器组 (DA 9155) TORSIONAL DAMPER SET(DA 9155)	L375 20、L345 20		10-15
10-G	搭铁线组 (EA 9089) GROUND CABLE SET(EA 9089)	L375 20、L345 20、C230 20、C325 20		10-15
10-H	节温器组 (EC9702) THERMOSTAT SET(EC9702)	L375 20、C260 20、C325 20、L345 20、C230 20		10-17
10-H	传感器总成组 (E0 9104) SENSOR ASSEMBLY SET(E0 9104)	L375 20、C260 20、C325 20、L345 20、C230 20		10-17
10-H	发电机安装件组 (EH 9591) GENERATOR MOUNTING PART SET(EH 9591)	L375 20、C260 20、C325 20、L345 20、C230 20		10-17
10-I	风扇驱动件组 (FA 9310) FAN DRIVE SET(FA 9310)	东风康明斯系列 DONGFENG CUMMINS Series		10-19
10-I	风扇驱动件组 (FA 9739) FAN DRIVE SET(FA 9739)	L375 20、C260 20、C325 20、L345 20、C230 20		10-19
10-J	增压补偿器连接管组 (FE 9043) SUPERCHARGE BOOST COMPENSATOR CONNECTING PIPE SET(FE 9043)	L375 20、L345 20		10-21
10-J	增压补偿器连接管组 (FE 9022) SUPERCHARGE BOOST COMPENSATOR CONNECTING PIPE SET(FE 9022)	L375 20、C325 20		10-21
10-K	燃油滤清器组 (FF 9593) FUEL FILTER SET(FF 9593)	L375 20、L345 20		10-25
10-L	燃油滤清器连接管路组 (FF 9594) FUEL FILTER CONNECTING LINE SET(FF 9594)	L375 20、L345 20		10-27
10-M	飞轮壳组 (FH 9430) FLYWHEEL CASE SET(FH 9430)	所有东风康明斯搅拌车系列 All DONGFENG CUMMINS Mixer Series		10-29
10-N	燃油泵安装组 (FP90370) FUEL PUMP MOUNTING SET(FP 90370)	L375 20、L345 20		10-31

图号 No. Of Figure	名称 Name	适用产品 Products Applied	备注 Remark	页次 Page
10-O	输油泵总成 (FS 9849) FUEL SUPPLY PUMP ASSEMBLY(FS 9849)	L375 20、L345 20		10-35
10-O	燃油泵组 (FP 90545) FUEL PUMP SET(FP 90545)	L375 20 、 C230 20		10-35
10-P	燃油管路组 (FT 9127) FUEL PIPING SET(FT 9127)	L375 20、L345 20		10-37
10-P	飞轮组 (FW 9782) FLYWHEEL SET(FW 9782)	所有东风康明斯搅拌车系列 All DONGFENG CUMMINS Mixer Series		10-37
10-Q	飞轮安装件组 (FW 90025) FLYWHEEL MOUNTING PART SET(FW 90025)	所有东风康明斯搅拌车系列 All DONGFENG CUMMINS Mixer Series		10-39
10-Q	齿轮室盖安装件组 (GG 9804) GEAR HOUSING COVER MOUNTING PART SET(GG 9804)	东风康明斯系列 DONGFENG CUMMINS Series		10-39
10-R	齿轮室盖组 (GG 9806) GEAR HOUSING COVER SET(GG 9806)	东风康明斯系列 DONGFENG CUMMINS Series		10-41
10-R	暖风安装件组 (HC 9046) HEATER MOUNTING PART SET(HC 9046)	L375 20、L345 20		10-41
10-S	液力转向泵组 (HD 9131) HYDRAULIC POWER STEERING PUMP SET(HD 9131)	L375 20 、 C230 20		10-43
10-S	进气连接件组 (IC 9450) INTAKE ATTACHMENT SET(IC 9450)	L375 20 、 C230 20		10-43
10-T	进气歧管组 (IM 9101) INTAKE MANIFOLD SET(IM 9101)	L375 20、L345 20		10-45
10-T	发动机吊耳组 (LA 9028) ENGINE SHACKLE SET(LA 9028)	L375 20、L345 20		10-45
10-U	机油冷却器组 (LC 9765) OIL COOLER SET(LC 9765)	L375 20、L345 20		10-47
10-V	机油滤清器组 (LF 9130) OIL FILTER SET(LF 9130)	东风康明斯系列 DONGFENG CUMMINS Series		10-51

图号 No. Of Figure	名称 Name	适用产品 Products Applied	备注 Remark	页次 Page
10-V	机油标尺组 (LG 9898) OIL DIPSTICK SET(LG 9898)	L375 20、L345 20		10-51
10-V	机油组 (LO 9701) OIL SET(LO 9701)	L375 20、L345 20		10-51
10-V	机油泵组 (LP 9724) OIL PUMP SET(LP 9724)	L375 20、L345 20		10-51
10-W	油门操纵组 (MS 9067) THROTTLE CONTROL SET(MS 9067)	L375 20 、 C325 20、 L345 20		10-53
10-W	附件驱动皮带轮组 (PA 9001) ACCESSORY DRIVE BELT PULLEY SET(PA 9001)	东风康明斯系列 DONGFENG CUMMINS Series		10-53
10-X	缸体加油附件组 (OB 9363) CYLINDER OIL FILLER ACCESSORY SET(OB 9363)	L375 20、L345 20		10-55
10-X	缸体加油附件组 (OB 9377) CYLINDER OIL FILLER ACCESSORY SET(OB 9377)	L375 20、L345 20		10-55
10-Y	油底壳组 (OP 9337) OIL PAN SET(OP 9337)	L375 20、L345 20		10-57
10-Y	油底壳组 (OP 9337) OIL PAN SET(OP 9337)	L375 20、L345 20		10-59
10-Z	性能件组 (PP 40388) FUNCTIONAL PART SET(PP 40388)	L375 20、L345 20		10-61
10-Z	性能件组 (PP 40388) FUNCTIONAL PART SET(PP 40388)	L375 20、L345 20		10-63
10-Z	性能件组 (PP 40388) FUNCTIONAL PART SET(PP 40388)	L375 20、L345 20		10-65
10-AA	增压器组 (PP 98671) SUPERCHARGER SET(PP 98671)	L375 20、L345 20		10-69
10-AA	缸盖管路组 (PP 98993) CYLINDER HEAD LINE SET(PP 98993)	L375 20、L345 20		10-69

图号 No. Of Figure	名称 Name	适用产品 Products Applied	备注 Remark	页次 Page
10-AB	摇臂组 (RL 9757) ROCKER ARM SET(RL 9757)	L375 20		10-71
10-AB	摇臂组 (RL 9768) ROCKER ARM SET(RL 9768)	L375 20		10-71
10-AC	发动机出气管组 (RP 9042) ENGINE OUTLET PIPE SET(RP 9042)	L375 20、L345 20		10-73
10-AC	水温传感器组 (SD 9113) WATER TEMPERATURE SENSOR SET(SD 9113)	L375 20 、C300 20、L345 20		10-73
10-AD	起动机组 (ST 9344) STARTER SET(ST 9344)	L375 20、C260 20、L345 20、C230 20		10-75
10-AD	压力报警传感器组 (SD 9169) PRESSURE ALARM SENSOR SET(SD 9169)	L375 20、L345 20、C230 20		10-75
10-AD	起动机安装件组 (SM 9772) STARTER MOUNTING PART SET (SM 9772)	L375 20、L345 20		10-75
10-AE	增压器布置组 (TB 91272) SUPERCHARGER LAYOUT SET(TB 91272)	L375 20、L345 20		10-77
10-AE	扭矩转换器冷却组 (TK 9022) TORQUE CONVERTER COOLING SET(TK 9022)	L375 20、C300 20、L345 2、C230 20		10-77
10-AF	增压器管路组 (TP 97236) SUPERCHARGER LINE SET(TP 97236)	L375 20、C325 20、L345 20		10-79
10-AG	水滤清器组 (WF 9094) WATER FILTER SET(WF 9094)	L375 20、C300 20、C325 20、L345 20		10-81
10-AH	气阀罩组 (VC 9775) VAVLE COVER SET(VC 9775)	L375 20、L345 20		10-83
10-AH	进水连接管组 (WI 9145) WATER INLET CONNECTING PIPE SET(WI 9145)	L375 20、C300 20、L345 20		10-83
10-AI	水泵组 (WP 9101) WATER PUMP SET(WP 9101)	L375 20、L345 20		10-85

图号 No. Of Figure	名称 Name	适用产品 Products Applied	备注 Remark	页次 Page
10-AI	出水连接管组 (W0 9052) WATER OUTLET CONNECTING PIPE SET(WO 9052)	东风康明斯系列 DONGFENG CUMMINS Series		10-85
10-AJ	皮带张紧轮组 (WP 9916) BELT TENSIONER PULLEY SET(WP 9916)	L375 20、C300 20、C325 20、L345 20		10-87
10-AJ	水泵附件驱动组 (WP 9963) WATER PUMP ACCESSORY DRIVE SET(WP 9963)	东风康明斯系列 DONGFENG CUMMINS Series		10-87
10-AK	发动机悬置系统 ENGINE MOUNTING SYSTEM	东风康明斯系列 DONGFENG CUMMINS Series		10-89
10-AL	发动机悬置系统 ENGINE MOUNTING SYSTEM	东风康明斯系列 DONGFENG CUMMINS Series		10-91
10-AM	发动机悬置系统 ENGINE MOUNTING SYSTEM	东风康明斯系列 DONGFENG CUMMINS Series		10-95
10-AN	发动机悬置系统 ENGINE MOUNTING SYSTEM	东风康明斯系列 DONGFENG CUMMINS Series		10-97
10-AO	发动机悬置系统 ENGINE MOUNTING SYSTEM	东风康明斯系列 DONGFENG CUMMINS Series		10-99
10-AP	发动机悬置系统 ENGINE MOUNTING SYSTEM	东风康明斯系列 DONGFENG CUMMINS Series		10-101
10-AQ	参数牌组 (AP 9382) PARAMETER PLATE SET(AP 9382)	C260 20、C300 20、C325 20、L345 20、C230 20		10-103
10-AQ	缸体冷却管路组 (BB 9200) CYLINDER BLOCK COOLING LINE SET(BB 9200)	C260 20、C300 20、C325 20、C230 20		10-103
10-AR	缸体管路连接件组 (BB 9091) CYLINDER BLOCK LINE CONNECTOR SET(BB 9091)	C260 20、C300 20、C325 20、C230 20		10-105
10-AR	空压机冷却水管组 (CC 9274) AIR COMPRESSOR COOLING PIPE SET(CC 9274)	C260 20、C300 20、C325 20、C230 20		10-105
10-AS	缸体组 (BB 9110) CYLINDER BLOCK SET (BB 9110)	C260 20、C325 20、C300 20、C230 20		10-107

图号 No. Of Figure	名称 Name	适用产品 Products Applied	备注 Remark	页次 Page
10-AS	缸体组 (BB 9110) CYLINDER BLOCK SET (BB 9110)	C260 20、C325 20、C300 20、C230 20		10-109
10-AT	曲轴箱通风组 (BR 9198) CRANKCASE VENTILATION SET(BR 9198)	C260 20、C325 20、C230 20		10-111
10-AU	空调驱动件组 (CF 9120) AIR CONDITIONER DRIVER SET(CF 9120)	C260 20、L345 20		10-113
10-AU	空调组件 (CF 9089) AIR CONDITIONER SET(CF 9089)	C260 20		10-113
10-AU	变速箱第一前轴承 (CL 9079) TRANSMISSION NO.1 FRONT SHAFT BEARING(CL 9079)	C260 20、C230		10-113
10-AV	空压机组 (CP 9510) AIR COMPRESSOR SET(CP 9510)	C260 20		10-117
10-AV	搭铁线组 (EA 9089) GROUND WIRE SET(EA 9089)	C260 20 、C300 20		10-117
10-AW	增压补偿器连接管组 (FE 9023) SUPERCHARGE BOOST COMPENSTAOR CONNECTING PIPE SET(FE 9023)	C260 20、C300 20、C325 20、C230 20		10-119
10-AW	燃油滤清器组 (FF 9340) FUEL FILTER SET(FF 9340)	C260 20、C300 20、C325 20、C230 20		10-119
10-AX	燃油滤清器连接管组 (FF 9489) FUEL FILTER CONNECTING PIPE SET(FF 9489)	C260 20、C325 20、C230 20		10-121
10-AX	扭振减振器组 (DA 9728) TORSIONAL DAMPER SET(DA 9728)	C260 20、C325 20、C230 20		10-121
10-AY	燃油泵连接件组 (FP 99001) FUEL PUMP CONNECTING PART SET(FP 99001)	C260 20、C300 20、C325 20、C230 20		10-123
10-AY	基本燃油泵组 (FP 90145) BASE FUEL PUMP SET(FP 90145)	C260 20、C300 20、C325 20		10-123
10-AZ	供油系附件组 (FS 9724) OIL SUPPLY SYSTEM ACCESSORY SET(FS 9724)	C260 20、C325 20、C230 20		10-127

图号 No. Of Figure	名称 Name	适用产品 Products Applied	备注 Remark	页次 Page
10-AZ	飞轮组 (FW 9763) FLYWHEEL SET(FW 9763)	C260 20、C325 20、C230 20		10-127
10-BA	燃油管路组 (FT 9142) FUEL LINE SET(FT 9142)	C260 20、C300 20、C325 20、C230 20		10-129
10-BA	飞轮安装件组 (FW 90025) FLYWHEEL MOUNTING PART SET(FW 90025)	C260 20、C300 20、C325 20、C230 20		10-129
10-BB	液力转向泵组 (FT 9127) HYDRAULTC POWER STEERING PUMP SET(FT 9127)	C260 20		10-131
10-BB	暖风安装件组 (HC 9023) HEATER MOUNTING PART SET(HC 9023)	C260 20、C325 20		10-131
10-BB	进气接头组 (IC 9359) INTAKE CONNECTOR SET(IC 9359)	C260 20、C300 20、C230 20、C325 20		10-131
10-BC	进气歧管盖组 (IM 9717) INTAKE MANIFOLD COVER SET(IM 9717)	C260 20、C300 20、C230 20、C325 20		10-133
10-BC	发动机吊耳组 (LA 9068) ENGINE SHACKLE SET(LA 9068)	C260 20、C300 20、C230 20、C325 20		10-133
10-BC	机油泵组 (LP 9725) OIL PUMP SET(LP 9725)	C260 20、C300 20、C230 20、C325 20		10-133
10-BD	机油冷却器组 (LC 9227) OIL COOLER SET(LC 9227)	C260 20、C300 20、C230 20、C325 20		10-135
10-BD	机油标尺组 (LG 90021) OIL DIPSTICK SET(LG 90021)	C260 20、C300 20、C230 20、C325 20		10-135
10-BE	缸体加油附件组 (OB 9377) CYLINDER OIL FILLER ACCESSORY SET(OB 9377)	C260 20		10-139
10-BE	缸盖冷却管路组 (PP 98459) CYLINDER HEAD COOLING LINE SET(PP 98459)	C260 20、C300 20、C230 20、C325 20		10-139
10-BE	喷油器管路组 (PP 98838) INJECTOR LINE SET(PP 98838)	C260 20、C300 20、C230 20、C325 20		10-139

图号 No. Of Figure	名称 Name	适用产品 Products Applied	备注 Remark	页次 Page
10-BF	油门操纵组 (MS 9067) THROTTLE CONTROL SET(MS 9067)	C260 20、C300 20、C230		10-141
10-BF	增压器组 (PP 98565) SUPERCHARGER SET(PP 98565)	C260 20		10-141
10-BF	摇臂组 (RL 9732) ROCKER ARM SET(RL 9732)	C260 20、C300 20、C230 20、C325 20		10-141
10-BF	发动机冷却液出气组 (RP 9071) ENGINE COOLANT DEAERATION SET(RP 9071)	C260 20、C300 20、C230 20、C325 20		10-141
10-BG	油底壳组 (OP 9352) OIL PAN SET(OP 9352)	C300 20、C325 20、C230 20、C260 20		10-145
10-BG	压力报警传感器组 (SD 9112) PRESSURE ALARM SENSOR SET(SD 9112)	C260 20、C300 20、C325 20、C230 20		10-145
10-BH	性能件组 (PP 40303) FUNCTIONAL PART SET(PP 40303)	C260 20		10-149
10-BH	性能件组 (PP 40303) FUNCTIONAL PART SET(PP 40303)	C260 20		10-151
10-BH	性能件组 (PP 40303) FUNCTIONAL PART SET(PP 40303)	C260 20		10-153
10-BI	扭矩转换器冷却组 (TK 9022) TORQUE CONVERTER COOLING SET(TK 9022)	C260 20、C325 20		10-157
10-BI	水温传感器组 (SD 9113) WATER TEMPERATURE SENSOR SET(SD 9113)	C260 20、C325 20、C230 20		10-157
10-BI	起动机组 (ST 9377) STARTER SET(ST 9377)	C260 20		10-157
10-BJ	气阀室罩组 (VC 9221) AIR VALVE CHEST COVER SET(VC 9221)	C260 20、C300 20、C325 20、C230 20		10-159
10-BJ	增压器布置组 (TB 9993) SUPERCHARGER LAYOUT SET(TB 9993)	C260 20、C300 20、C325 20、C230 20		10-159

图号 No. Of Figure	名称 Name	适用产品 Products Applied	备注 Remark	页次 Page
10-BJ	进水连接管组 (WI 9145) WATER INLET CONNECTING PIPE SET(WI 9145)	C260 20、C300 20、C325 20、C230 20		10-159
10-BK	增压器管路组 (TP 97247) SUPERCHARGER LINE SET(TP 97247)	C260 20、C300 20、C230 20		10-161
10-BL	水滤清器组 (WF 9094) WATER FILTER SET(WF 9094)	C260 20、C230 20		10-165
10-BL	皮带张紧轮组 (WP 9916) BELT TENSIONER PULLEY SET(WP 9916)	C260 20、C230 20		10-165
10-BL	水泵组 (WP 9918) WATER PUMP SET(WP 9918)	C260 20、C300 20、C325 20、C230 20		10-165
10-BM	发动机前悬置支架组 (EM 9223) ENGINE FRONT MOUNTING BRACKET SET(EM 9223)	东风康明斯系列 DONGFENG CUMMINS Series		10-169
10-BM	传感器组 (EO 9135) SENSOR SET(EO 9135)	C300 20、C325 20、L345 20		10-169
10-BM	标签组 (LB 9085) LABEL SET(LB 9085)	C300 20、C325 20、C230 20		10-169
10-BM	标签组 (LB 9094) LABEL SET(LB 9094)	C300 20、C325 20、C230 20		10-169
10-BN	增压补偿器连接管组 (EM 9023) SUPERCHARGE BOOST COMPENSATOR CONNECTING PIPE SET(EM 9223)	C300 20		10-171
10-BN	液力转向泵组 (HD 9131) HYDRAULIC POWER STEERING PUMP SET(HD 9131)	C300 20、C325 20		10-171
10-BO	缸体加油附件组 (OB 9378) CYLINDER OIL FILLER ACCESSORY SET(OB 9378)	C300 20、C325 20、C230 20		10-173
10-BP	性能件组 (PP 40333) FUNCTIONAL PART SET(PP 40333)	C300 20		10-175
10-BP	性能件组 (PP 40333) FUNCTIONAL PART SET(PP 40333)	C300 20		10-177

图号 No. Of Figure	名称 Name	适用产品 Products Applied	备注 Remark	页次 Page
10-BP	性能件组 (PP 40333) FUNCTIONAL PART SET(PP 40333)	C300 20		10-179
10-BQ	增压器组 (PP 98484) SUPERCHARGER SET(PP 98484)	C300 20		10-183
10-BQ	参数牌 (SS 9455) PARAMETER PLATE(SS 9455)	C300 C325、L345 C230		10-183
10-BR	进气预热组 (AH 9141) INTAKE PREHEATING SET(AH 9141)	L345 20、C325 20、C230 20		10-185
10-BR	增压器排气连接件组 (XS 9258) SUPERCHARGER EXHAUST CONNECTING PART SET(XS 9258)	L345 20、C325 20、C230 20		10-185
10-BS	摇臂组 (RL 9774) ROCKER ARM SET(RL 9774)	L345 20		10-187
10-BT	性能件组 (PP 40311) FUNCTIONAL PART SET(PP 40311)	C230 20		10-189
10-BU	增压器组 (PP 98438) SUPERCHARGER SET(PP 98438)	C230 20		10-197
10-BV	汽缸体 (一) CYLINDER BLOCK I	潍柴 WD615 系列 WEICHAI WD615 Series		10-199
10-BV	汽缸体 (一) CYLINDER BLOCK I	潍柴 WD615 系列 WEICHAI WD615 Series		10-201
10-BW	汽缸体 (二) CYLINDER BLOCK II	潍柴 WD615 系列 WEICHAI WD615 Series		10-205
10-BW	汽缸体 (二) CYLINDER BLOCK II	潍柴 WD615 系列 WEICHAI WD615 Series		10-207
10-BW	汽缸体 (二) CYLINDER BLOCK II	潍柴 WD615 系列 WEICHAI WD615 Series		10-209
10-BW	汽缸体 (二) CYLINDER BLOCK II	潍柴 WD615 系列 WEICHAI WD615 Series		10-211

图号 No. Of Figure	名称 Name	适用产品 Products Applied	备注 Remark	页次 Page
10-BX	汽缸体 (三) CYLINDER BLOCK III	潍柴 WD615 系列 WEICHAJ WD615 Series		10-215
10-BX	汽缸体 (三) CYLINDER BLOCK III	潍柴 WD615 系列 WEICHAJ WD615 Series		10-217
10-BY	汽缸体 (四) CYLINDER BLOCK IV	潍柴 WD615 系列 WEICHAJ WD615 Series		10-219
10-BZ	曲轴飞轮 CRANKSHAFT FLYWHEEL	潍柴 WD615 系列 WEICHAJ WD615 Series		10-223
10-BZ	曲轴飞轮 CRANKSHAFT FLYWHEEL	潍柴 WD615 系列 WEICHAJ WD615 Series		10-225
10-CA	连杆和活塞 CONNECTING ROD AND PISTON	潍柴 WD615 系列 WEICHAJ WD615 Series		10-227
10-CB	汽缸盖总成 CYLINDER HEAD ASSEMBLY	潍柴 WD615 系列 WEICHAJ WD615 Series		10-229
10-CB	汽缸盖总成 CYLINDER HEAD ASSEMBLY	潍柴 WD615 系列 WEICHAJ WD615 Series		10-231
10-CC	配气机构 VALVE MECHANISM	潍柴 WD615 系列 WEICHAJ WD615 Series		10-235
10-CC	配气机构 VALVE MECHANISM	潍柴 WD615 系列 WEICHAJ WD615 Series		10-237
10-CC	配气机构 VALVE MECHANISM	潍柴 WD615 系列 WEICHAJ WD615 Series		10-239
10-CD	水泵和风扇 WATER PUMP AND FAN	潍柴 WD615 系列 WEICHAJ WD615 Series		10-241
10-CD	水泵和风扇 WATER PUMP AND FAN	潍柴 WD615 系列 WEICHAJ WD615 Series		10-243
10-CE	水泵总成 WATER PUMP ASSEMBLY	潍柴 WD615 系列 WEICHAJ WD615 Series		10-245

图号 No. Of Figure	名称 Name	适用产品 Products Applied	备注 Remark	页次 Page
10-CF	张紧轮总成 TENSIONER PULLEY ASSEMBLY	潍柴 WD615 系列 WEICHAJ WD615 Series		10-247
10-CG	机油泵和机油滤清器 (一) OIL PUMP AND OIL FILTER I	潍柴 WD615 系列 WEICHAJ WD615 Series		10-249
10-CG	机油泵和机油滤清器 (一) OIL PUMP AND OIL FILTER I	潍柴 WD615 系列 WEICHAJ WD615 Series		10-251
10-CH	机油泵和机油滤清器 (二) OIL PUMP AND OIL FILTER II	潍柴 WD615 系列 WEICHAJ WD615 Series		10-255
10-CI	喷油泵高压油管 FUEL INJECTION PUMP HIGH PRESSURE PIPE	潍柴 WD615 系列 WEICHAJ WD615 Series		10-259
10-CI	喷油泵高压油管 FUEL INJECTION PUMP HIGH PRESSURE PIPE	潍柴 WD615 系列 WEICHAJ WD615 Series		10-261
10-CI	喷油泵高压油管 FUEL INJECTION PUMP HIGH PRESSURE PIPE	潍柴 WD615 系列 WEICHAJ WD615 Series		10-263
10-CJ	油管 OIL PIPE	潍柴 WD615 系列 WEICHAJ WD615 Series		10-265
10-CJ	油管 OIL PIPE	潍柴 WD615 系列 WEICHAJ WD615 Series		10-267
10-CK	联轴器总成 COUPLING ASSEMBLY	潍柴 WD615 系列 WEICHAJ WD615 Series		10-269
10-CL	电机装置 MOTOR UNIT	潍柴 WD615 系列 WEICHAJ WD615 Series		10-271
10-CM	火焰预热起动系统 FLAME PREHEATING START SYSTEM	潍柴 WD615 系列 WEICHAJ WD615 Series		10-275
10-CM	火焰预热起动系统 FLAME PREHEATING START SYSTEM	潍柴 WD615 系列 WEICHAJ WD615 Series		10-277
10-CN	进排气管 (一) INTAKE AND EXHAUST PIPE I	潍柴 WD615 系列 WEICHAJ WD615 Series		10-281

图号 No. Of Figure	名称 Name	适用产品 Products Applied	备注 Remark	页次 Page
10-CN	进排气管 (一) INTAKE AND EXHAUST PIPE I	潍柴 WD615 系列 WEICHAI WD615 Series		10-283
10-CO	进排气管 (二) INTAKE AND EXHAUST PIPE II	潍柴 WD615 系列 WEICHAI WD615 Series		10-285
10-CO	进排气管 (二) INTAKE AND EXHAUST PIPE II	潍柴 WD615 系列 WEICHAI WD615 Series		10-287
10-CP	615 13 61A 单缸空气压缩机 615 13 61A SINGLE CYLINDER AIR COMPRESSOR	潍柴 WD615 系列 WEICHAI WD615 Series		10-291
10-CP	615 13 61A 单缸空气压缩机 615 13 61A SINGLE CYLINDER AIR COMPRESSOR	潍柴 WD615 系列 WEICHAI WD615 Series		10-293
10-CQ	油底壳 OIL PAN	潍柴 WD615 系列 WEICHAI WD615 Series		10-297
10-CR	发动机悬置系统 ENGINE MOUNTING SYSTEM	潍柴 WD615 系列 WEICHAI WD615 Series		10-299
10-CR	发动机悬置系统 ENGINE MOUNTING SYSTEM	潍柴 WD615 系列 WEICHAI WD615 Series		10-301
10-CS	发动机悬置系统 ENGINE MOUNTING SYSTEM	潍柴 WD615 系列 WEICHAI WD615 Series		10-303
10-CT	发动机悬置系统 ENGINE MOUNTING SYSTEM	C9 发动机系列 C9 Engine Series		10-307
10-CT	发动机悬置系统 ENGINE MOUNTING SYSTEM	C9 发动机系列 C9 Engine Series		10-309
10-CU	发动机悬置系统 ENGINE MOUNTING SYSTEM	C13 发动机系列 C13 Engine Series		10-311
10-CU	发动机悬置系统 ENGINE MOUNTING SYSTEM	C13 发动机系列 C13 Engine Series		10-313
10-CV	发动机悬置系统 ENGINE MOUNTING SYSTEM	M11 发动机系列 M11 Engine Series		10-315
10-CV	发动机悬置系统 ENGINE MOUNTING SYSTEM	M11 发动机系列 M11 Engine Series		10-317

11、供给系统 /SUPPLY SYSTEM

图号 No. Of Figure	名称 Name	适用产品 Products Applied	备注 Remark	页次 Page
11-A	油门拉丝总成装置图 THROTTLE CABLE ASSEMBLY	Cummins 系列 CUMMINS Series		11-1
11-B	油门拉丝总成装置图 THROTTLE CABLE ASSEMBLY	Steyr 系列 STEYR Series		11-3
11-C	加速油门踏板总成装置图 ACCELERATOR PEDAL ASSEMBLY	Cummins 系列、Steyr 系列 CUMMINS Series,STEYR Series		11-5
11-D	油门拉丝总成装置图 THROTTLE CABLE ASSEMBLY	Cummins 右架欧 II 系列 CUMMINS Europe II Series Of RHD		11-7
11-E	加速油门踏板总成装置图 ACCELERATOR PEDAL ASSEMBLY	Cummins 右架欧 II 系列 CUMMINS Europe II Series Of RHD		11-9
11-F	燃油箱 I FUEL TANK I			11-11
11-G	燃油箱 II FUEL TANK II			11-15
11-H	供给系管路 I SUPPLY SYSTEM LINE I			11-21
11-I	供给系管路 II SUPPLY SYSTEM LINE II			11-25
11-J	空气滤清器 I AIR FILTER I			11-29
11-K	空气滤清器 II AIR FILTER II	康明斯 300 马力以下型号发动机车型 CUMMINS Engine Under 300 Horsepower		11-31
11-L	空气滤清器 III AIR FILTER III	康明斯 300 马力以下型号发动机车型 CUMMINS Engine Under 300 Horsepower		11-33
11-M	空气滤清器 IV AIR FILTER IV	康明斯发动机系列车型 CUMMINS Engine Series		11-37

图号 No. Of Figure	名称 Name	适用产品 Products Applied	备注 Remark	页次 Page
11-N	空气滤清器 V AIR FILTER V	所有斯太尔发动机及其它系列 300 马力以上发动机 All STEYR Engine And Other Series Engine Over 300 Horsepower		11-39
11-O	空气滤清器 VI AIR FILTER VI	所有斯太尔发动机及其它系列 300 马力以上发动机 All STEYR Engine And Other Series Engine Over 300 Horsepower		11-43
11-P	空气滤清器 VII AIR FILTER VII	WD615 系列发动机 WD615 Series Engine		11-47
11-Q	空气滤清器 VIII AIR FILTER VIII	WD12 及 WP10 系列发动机 WD12 Series Engine、WP10 Series Engine		11-49

12、排气系统 /EXHAUST SYSTEM

图号 No. Of Figure	名称 Name	适用产品 Products Applied	备注 Remark	页次 Page
12-A	发动机排气出口部件装置图 ENGINE EXHAUST OUTLET PARTS	Cummins 四桥车 CUMMINS 4-Axle Vehicle		12-1
12-B	排气系统支架预装图 EXHAUST SYSTEM BRACKET	轴距 1850+4000+1350 四桥车 Wheel Base 1850+4000+1350 4-Axle Vehicle		12-3
12-C	排气系统支架总装图 EXHAUST SYSTEM BRACKET	轴距 1850+4000+1350 四桥车 Wheel Base 1850+4000+1350 4-Axle Vehicle		12-5
12-D	排气系统支架预装图 EXHAUST SYSTEM BRACKET	轴距 1850+3370+1350 四桥车 Wheel Base 1850+3370+1350 4-Axle Vehicle		12-7
12-E	排气系统支架总装图 EXHAUST SYSTEM BRACKET	轴距 1850+3370+1350 四桥车 Wheel Base 1850+3370+1350 4-Axle Vehicle		12-9
12-F	排气系统支架预装图 EXHAUST SYSTEM BRACKET	轴距 1850+4605+1350 四桥车 Wheel Base 1850+4605+1350 4-Axle Vehicle		12-11
12-G	排气系统支架总装图 EXHAUST SYSTEM BRACKET	轴距 1850+4605+1350 四桥车 Wheel Base 1850+4605+1350 4-Axle Vehicle		12-13
12-H	排气管及消声器总成装置图 EXHAUST PIPE AND MUFFLER ASSEMBLY	四桥车 4-Axle Vehicle		12-15
12-I	排气管装置图 EXHAUST PIPE	Cummins 四桥车 CUMMINS 4-Axle Vehicle		12-17
12-J	排气管装置图 EXHAUST PIPE	Steyr 四桥车、STEYR 双前桥牵引车 STEYR 4-Axle Vehicle, STEYR Double Front Axle Tractor		12-19
12-K	消声器总成装配图 MUFFLER ASSEMBLY	牵引车 Tractor	新型式(方形消声器) New Type(Square Muffler)	12-21
12-L	消声器总成装配图 MUFFLER ASSEMBLY	非牵引车 Non-Tractor	新型式(方形消声器) New Type(Square Muffler)	12-23
12-M	排气管及消声器总成装配图 EXHAUST PIPE AND MUFFLER ASSEMBLY	重庆 Cummins 牵引车、C9 系列牵引车 CHONGQING CUMMINS Tractor, C9 Series Tractor	新型式(方形消声器) New Type(Square Muffler)	12-25
12-N	排气管及消声器总成装配图 EXHAUST PIPE AND MUFFLER ASSEMBLY	非牵引车 Non-Tractor	新型式(方形消声器) New Type(Square Muffler)	12-27

图号 No. Of Figure	名称 Name	适用产品 Products Applied	备注 Remark	页次 Page
12-O	排气管及消声器总成装配图 EXHAUST PIPE AND MUFFLER ASSEMBLY	Cummins 牵引车、ISLe 系列牵引车 CUMMINS Tractor, ISLe Seires Tractor	新型式 (方形消声器) New Type(Square Muffler)	12-29
12-P	排气管及消声器总成装配图 EXHAUST PIPE AND MUFFLER ASSEMBLY	Steyr 牵引车 STEYR Tractor	新型式 (方形消声器) New Type(Square Muffler)	12-31
12-Q	排气管装置图 EXHAUST PIPE	Steyr 非牵引车 STEYR Non-Tractor	新型式 (方形消声器) New Type(Square Muffler)	12-33
12-R	排气管装置图 EXHAUST PIPE	重庆 Cummins 车型 CHONGQING CUMMINS Model	新型式 (方形消声器) New Type(Square Muffler)	12-35
12-S	排气管装置图 EXHAUST PIPE	Cummins 牵引车 CUMMINS Tractor	新型式 (方形消声器) New Type(Square Muffler)	12-39
12-T	排气管装置图 EXHAUST PIPE	Cummins 非牵引车 CUMMINS Non-Tractor	新型式 (方形消声器) New Type(Square Muffler)	12-43
12-U	排气管装置图 EXHAUST PIPE	ISLe 系列牵引车 ISLE Serise Tractor		12-47
12-V	排气管装置图 EXHAUST PIPE	ISLe 系列非牵引车 ISLE Serise Non-Tractor		12-49
12-W	排气管装置图 EXHAUST PIPE	WP10 系列牵引车 WP10 Series Tractor		12-51
12-X	排气管装置图 EXHAUST PIPE	WP10 系列非牵引车 WP10 Series Non-Tractor		12-55
12-Y	排气系统支架预装图 EXHAUST SYSTEM BRACKET	STEYR 双前桥牵引车 STEYR Double Front Axle Tractor		12-57
12-Z	排气系统支架总装图 EXHAUST SYSTEM BRACKET	STEYR 双前桥牵引车 STEYR Double Front Axle Tractor		12-59
12-AA	排气管及消声器总成装置图 EXHAUST PIPE AND MUFFLER ASSEMBLY	STEYR 双前桥牵引车 STEYR Double Front Axle Tractor		12-61
12-AB	排气管装置图 EXHAUST PIPE	WD12 系列车型 WD12 Series Model		12-63
12-AC	排气管装置图 EXHAUST PIPE	C9 系列牵引车及 6×4 车型 C9 Series Tractor And 6×4 Model		12-67
12-AD	消声器排气管装置图 MUFFLER EXHAUST PIPE	Cummins 尾气预热自卸车 CUMMINS Offgas Preheating Dump Truck		12-69

13、冷却系统 /COOLING SYSTEM

图号 No. Of Figure	名称 Name	适用产品 Products Applied	备注 Remark	页次 Page
13-A	散热器和挡板组图 RADIATOR AND BAFFLE SET	C300、C260、C230		13-1
13-B	散热器悬置组图 RADIATOR MOUNTING SET	C300、C260、C230、6D24		13-3
13-C	散热器支撑组图 RADIATOR SUPPORT SET	C 系列 C Series		13-5
13-D	冷却水管组图 COOLING WATER PIPE SET	C 系列 C Series		13-7
13-E	冷却风扇组图 COOLING FAN SET	C 系列 C Series		13-9
13-F	风扇护风罩组图 FAN SHROUD SET	C 系列、6D24 C Series、6D24		13-11
13-G	冷却液膨胀箱组图 COOLANT EXPANSION TANK SET	C 系列 C Series		13-15
13-H	过渡水管组图 TRANSITION WATER PIPE SET	C 系列 C Series		13-17
13-I	副膨胀箱组图 SUB EXPANSION TANK SET	非欧款车型 Non Europe Model		13-21
13-J	增压中冷器组图 SUPERCHARGING INTERCOOLER SET	C 系列 C Series		13-25
13-K	散热器和中冷器组图 RADIATOR AND INTERCOOLER SET	L345、L375、C9-350HP、WP10 290、WP10 336、 WD12 336、WD12 375、WD615.38、P11C-UL、 P11C-UJ、M11-C350E 20、ISLe350 30		13-29
13-L	散热器支撑组图 RADIATOR SUPPORT SET			13-33
13-M	散热器固定组图 RADIATOR FIXING SET	L 系列、WD615.38、WD615.47 L Series, WD615.38, WD615.47		13-35

图号 No. Of Figure	名称 Name	适用产品 Products Applied	备注 Remark	页次 Page
13-N	冷却水气管路组图 COOLING WATER AND AIR PIPELINE SET	M11-C350E 20、M11-C380E 20、L345、L375、 ISLe340 30、ISLe350 30、C9-350HP		13-37
13-O	发动机水气管路组图 ENGINE WATER AND AIR PIPELINE SET			13-43
13-P	冷却风扇组图 COOLING FAN SET	L345、L375、ISLe340 30、ISLe350 30		13-47
13-Q	冷却液膨胀箱组图 COOLANT EXPANSION TANK SET	L 系列、WD615 系列 L Series, WD615 Series		13-49
13-R	膨胀箱连接管组图 EXPANSION TANK CONNECTING PIPE SET	非 6M70 车型 Non 6M70 Model		13-51
13-S	过渡水管组图 TRANSITION WATER PIPE SET	L345、L375、ISLe340 30、ISLe350 30		13-53
13-T	冷却水气管路组图 COOLING WATER AND AIR PIPELINE SET	WP10 290、WP10 336、WD12.336、WD12.375、 WD615.38		13-55
13-U	过渡水管组图 TRANSITION WATER PIPE SET	WD615.38、WD615.34、WD615.46、WP10 290、 WP10 336、WD12.336、WD12.375、C9-350HP		13-59
13-V	散热器悬置组图 RADIATOR MOUNTING SET	WD615.44、WD615.50、WD615.56		13-63
13-W	散热器支撑组图 RADIATOR SUPPORT SET	WD615.44、WD615.50、WD615.56		13-65
13-X	冷却水管组图 COOLING WATER PIPE SET	WD615.44、WD615.50、WD615.56		13-67
13-Y	风扇导流罩组图 FAN DOME SET	WD615.44、WD615.50、WD615.56		13-69
13-Z	风扇护风罩组图 FAN SHROUD SET	WD615.44、WD615.50、WD615.56		13-73
13-AA	过渡水管组图 TRANSITION WATER PIPE SET	WD615.44、WD615.50、WD615.56		13-75

图号 No. Of Figure	名称 Name	适用产品 Products Applied	备注 Remark	页次 Page
13-AB	增压中冷器组图 SUPERCHARGING INTERCOOLER SET	WD615.44、WD615.50、WD615.56		13-79
13-AC	散热器和中冷器组图 RADIATOR AND INTERCOOLER SET	WD615.46、WD615.34		13-81
13-AD	散热器支撑组图 RADIATOR SUPPORT SET	WD615.46、WD615.34		13-83
13-AE	散热器固定组图 RADIATOR FIXING SET	WD615.46、WD615.34		13-85
13-AF	冷却水气管路组图 COOLING WATER AND AIR PIPELINE SET	WD615.46、WD615.34		13-87
13-AG	散热器和挡板组图 RADIATOR AND BAFFLE SET	C230、C325、WD615.56、WD615.50、WD615.44		13-89
13-AH	散热器悬置组图 RADIATOR MOUNTING SET	C325		13-91
13-AI	冷却风扇组 COOLING FAN SET	C9-350HP、M11-350E20		13-93
13-AJ	过渡水管组 TRANSITION WATER PIPE SET	M11-350E20		13-95
13-AK	散热器固定组 RADIATOR FIXING SET	YC6A240-20、YC6A260-20		13-97
13-AL	冷却水气管组 COOLING WATER AND AIR PIPELINE SET	YC6A240-20、YC6A260-20		13-99
13-AM	发动机水气管组 ENGINE WATER AND AIR PIPELINE SET	YC6A240-20、YC6A260-20		13-101
13-AN	过渡水管组 TRANSITION WATER PIPE SET	YC6A240-20、YC6A260-20		13-103
13-AO	散热器和中冷器组 RADIATOR AND INTERCOOLER SET	YC6A240-20、YC6A260-20		13-105

16、离合器及其操纵系统 /CLUTCH AND OPERATING SYSTEM

图号 No. Of Figure	名称 Name	适用产品 Products Applied	备注 Remark	页次 Page
16-A	离合器操纵装置图 CLUTCH OPERATING			16-1
16-B	离合器油路操纵装置图一 CLUTCH OIL CIRCUIT OPERATING I			16-5
16-C	离合器油路操纵装置图二 CLUTCH OIL CIRCUIT OPERATING II			16-7
16-D	离合器油路操纵装置图三 CLUTCH OIL CIRCUIT OPERATING III	国产动力系列 + 非 DC7J120TD 变速器 Domestic Engine Series+Non-DC7J120TD Transmission		16-11
16-E	离合器油路操纵装置图三 CLUTCH OIL CIRCUIT OPERATING III	国产动力系列 +DC7J120TD 变速器 Domestic Engine Series+DC7J120TD Transmission		16-13
16-F	FD430A 离合器装置图 FD430A CLUTCH	配康明斯 C 系列 350 马力以下发动机（非搅拌机） CUMMINS C Series Engine Under 350 Horsepower (Non-Mixer)		16-15
16-G	SACHS 离合器装置图 SACHS CLUTCH	ZF 变速箱 ZF Transmission		16-17
16-H	FD430L30 离合器装置图 FD430L30 CLUTCH	国产 350 马力以上动力系列 Domestic Engine Series Over 350 Horsepower		16-19
16-I	右驾车型离合器油路操纵装置图一 CLUTCH OIL CIRCUIT OPERATING I OF RHD	右驾车型 RHD		16-21

17、变速器及其操纵系统 / TRANSMISSION AND THE CONTROL SYSTEM

图号 No. Of Figure	名称 Name	适用产品 Products Applied	备注 Remark	页次 Page
17-A	变速器和离合器壳体装置图 TRANSMISSION AND CLUTCH CASE			17-1
17-B	变速器和离合器壳体装置图 TRANSMISSION AND CLUTCH CASE			17-7
17-C	变速器和离合器壳体装置图 TRANSMISSION AND CLUTCH CASE			17-13
17-D	RT-11509C 变速器二轴总成 RT-11509C TRANSMISSION NO.2 SHAFT ASSEMBLY			17-19
17-E	RT-11509C 变速器左右中间轴总成 RT-11509C TRANSMISSION LEFT AND RIGHT COUNTERSHAFT ASSEMBLY			17-21
17-F	RT-11509C 变速器一轴总成 RT-11509C TRANSMISSION NO.1 SHAFT ASSEMBLY			17-25
17-G	RT-11509C 变速器倒档中间轴总成 RT-11509C TRANSMISSION REVERSE COUNTERSHAFT ASSEMBLY			17-27
17-H	RT-11509C 变速器上盖总成 RT-11509C TRANSMISSION UPPER COVER ASSEMBLY			17-29
17-I	RT-11509C 变速器操纵装置总成 RT-11509C TRANSMISSION CONTROL ASSEMBLY			17-35
17-J	RT-11509C 变速器空气滤清调节器总成 RT-11509C TRANSMISSION AIR FILTER REGULATOR ASSEMBLY			17-45
17-K	RT-11509C 变速器副箱驱动齿轮总成 RT-11509C TRANSMISSION ADDITIONAL GEARBOX DRIVE GEAR ASSEMBLY			17-47
17-L	RT-11509C 变速器副箱主轴总成 RT-11509C TRANSMISSION ADDITIONAL GEARBOX MAIN SPINDLE ASSEMBLY			17-49

图号 No. Of Figure	名称 Name	适用产品 Products Applied	备注 Remark	页次 Page
17-M	RT-11509C 变速器副箱左右中间轴 RT-11509C TRANSMISSION ADDITIONAL GEARBOX LEFT AND RIGHT COUNTERSHAFT			17-51
17-N	RT-11509C 变速器后盖总成 RT-11509C TRANSMISSION REAR COVER ASSEMBLY			17-53
17-O	RT-11509C 变速器副箱气缸总成 RT-11509C TRANSMISSION ADDITIONAL GEARBOX CYLINDER ASSEMBLY			17-57
17-P	RT-11509C 变速器中间轴制动器总成 RT-11509C TRANSMISSION COUNTERSHAFT BRAKE ASSEMBLY			17-61
17-Q	9JS119 变速器二轴总成 9JS119 TRANSMISSION NO.2 SHAFT ASSEMBLY			17-63
17-R	9JS119 变速器左右中间轴总成 9JS119 TRANSMISSION LEFT AND RIGHT COUNTERSHAFT ASSEMBLY			17-65
17-S	9JS119 变速器一轴总成 9JS119 TRANSMISSION NO.1 SHAFT ASSEMBLY			17-69
17-T	9JS119 变速器倒档中间轴总成 9JS119 TRANSMISSION REVERSE COUNTERSHAFT ASSEMBLY			17-71
17-U	9JS119 变速器上盖总成 9JS119 TRANSMISSION UPPER COVER ASSEMBLY			17-73
17-V	9JS119 变速器操纵装置总成 9JS119 TRANSMISSION CONTROL ASSEMBLY			17-79
17-W	9JS119 变速器空气滤清调节器总成 9JS119 TRANSMISSION AIR FILTER REGULATOR ASSEMBLY			17-89
17-X	9JS119 变速器副箱驱动齿轮总成 9JS119 TRANSMISSION ADDITIONAL GEARBOX DRIVE GEAR ASSEMBLY			17-91
17-Y	9JS119 变速器副箱主轴总成 9JS119 TRANSMISSION ADDITIONAL GEARBOX MAIN SPINDLE ASSEMBLY			17-93

图号 No. Of Figure	名称 Name	适用产品 Products Applied	备注 Remark	页次 Page
17-Z	9JS119 变速器副箱左右中间轴 9JS119 TRANSMISSION ADDITIONAL GEARBOX LEFT AND RIGHT COUNTERSHAFT			17-95
17-AA	9JS119 变速器后盖总成 9JS119 TRANSMISSION REAR COVER ASSEMBLY			17-97
17-AB	9JS119 变速器副箱气缸总成 9JS119 TRANSMISSION ADDITIONAL GEARBOX CYLINDER ASSEMBLY			17-101
17-AC	9JS119 变速器中间轴制动器总成 9JS119 TRANSMISSION COUNTERSHAFT BRAKE ASSEMBLY			17-105
17-AD	9JS150T-B 变速器二轴总成 9JS150T-B TRANSMISSION NO.2 SHAFT ASSEMBLY			17-107
17-AE	9JS150T-B 变速器左右中间轴总成 9JS150T-B TRANSMISSION LEFT AND RIGHT COUNTERSHAFT ASSEMBLY			17-109
17-AF	9JS150T-B 变速器一轴总成 9JS150T-B TRANSMISSION NO.1 SHAFT ASSEMBLY			17-113
17-AG	9JS150T-B 变速器倒档中间轴总成 9JS150T-B TRANSMISSION REVERSE COUNTERSHAFT ASSEMBLY			17-115
17-AH	9JS150T-B 变速器上盖总成 9JS150T-B TRANSMISSION UPPER COVER ASSEMBLY			17-117
17-AI	9JS150T-B 变速器操纵装置总成 9JS150T-B TRANSMISSION CONTROL ASSEMBLY			17-123
17-AJ	9JS150T-B 变速器空气滤清调节器总成 9JS150T-B TRANSMISSION AIR FILTER REGULATOR ASSEMBLY			17-133
17-AK	9JS150T-B 变速器副箱驱动齿轮总成 9JS150T-B TRANSMISSION ADDITIONAL GEARBOX DRIVE GEAR ASSEMBLY			17-135
17-AL	9JS150T-B 变速器副箱主轴总成 9JS150T-B TRANSMISSION ADDITIONAL GEARBOX MAIN SPINDLE ASSEMBLY			17-137

图号 No. Of Figure	名称 Name	适用产品 Products Applied	备注 Remark	页次 Page
17-AM	9JS150T-B 变速器副箱左右中间轴 9JS150T-B TRANSMISSION ADDITIONAL GEARBOX LEFT AND RIGHT COUNTERSHAFT			17-139
17-AN	9JS150T-B 变速器后盖总成 9JS150T-B TRANSMISSION REAR COVER ASSEMBLY			17-141
17-AO	9JS150T-B 变速器副箱气缸总成 9JS150T-B TRANSMISSION ADDITIONAL GEARBOX CYLINDER ASSEMBLY			17-145
17-AP	12JS160T 一轴总成 12JS160T NO.1 SHAFT ASSEMBLY			17-149
17-AQ	12JS160T 离合器和变速箱壳体总成 12JS160T CLUTCH AND TRANSMISSION CASE ASSEMBLY			17-151
17-AR	12JS160T 操纵装置总成 12JS160T CONTROL ASSEMBLY			17-157
17-AS	变速操纵装置图一 TRANSMISSION CONTROL I			17-167
17-AT	变速操纵装置图二 TRANSMISSION CONTROL II	国产动力系列 + 非大同变速器 Domestic Engine Series+Non-Datong Transmission		17-171
17-AU	变速操纵装置图二 TRANSMISSION CONTROL II	国产动力系列 + 大同变速器 Domestic Engine Series+Datong Transmission		17-177
17-AV	右驾车型变速器操纵装置图一 TRANSMISSION CONTROL I OF RHD	右驾车型 RHD		17-181
17-AW	选、换挡继动摇臂及支架总成 I SELECTION AND SHIFT RELAY ROCKER ARM AND BRACKET ASSEMBLY I	国产动力系列 + 非大同变速器 Domestic Engine Series+Non-Datong Transmission		17-185
17-AX	选、换挡继动摇臂及支架总成 I SELECTION AND SHIFT RELAY ROCKER ARM AND BRACKET ASSEMBLY I	国产动力系列 + 非大同变速器 Domestic Engine Series+Non-Datong Transmission		17-189
17-AY	选档摇臂总成 II、换挡摇臂总成 II SELECTION ROCKER ARM ASSEMBLY II , SHIFT ROCKER ARM ASSEMBLY II	国产动力系列 + 大同变速器 Domestic Engine Series+Datong Transmission		17-193

图号 No. Of Figure	名称 Name	适用产品 Products Applied	备注 Remark	页次 Page
17-AZ	选档摇臂总成 II、换挡摇臂总成 II SELECTION ROCKER ARM ASSEMBLY II , SHIFT ROCKER ARM ASSEMBLY II	国产动力系列 + 非大同变速器 Domestic Engine Series+Non-Datong Transmission		17-195
17-BA	变速器操纵装置图三 TRANSMISSION CONTROL III	国产动力系列 + 大同变速器 Domestic Engine Series+Datong Transmission		17-199
17-BB	变速器操纵装置图三 TRANSMISSION CONTROL III	国产动力系列 + 大同变速器 Domestic Engine Series+Datong Transmission		17-205
17-BC	变速器悬置图一 TRANSMISSION SUSPENSION I	康明斯、斯太尔、日野车型 CUMMINS、STYER、HINO Models		17-207

22、传动轴系统 /PROPELLER SHAFT SYSTEM

图号 No. Of Figure	名称 Name	适用产品 Products Applied	备注 Remark	页次 Page
22-A	中、后桥间传动轴装置图 I PROPELLER SHAFT BETWEEN INTERMEDIATE AXLE AND REAR AXLE I	435 或 457 桥的所有车型 All Models With 435-Axle Or 457-Axle	中后桥轴距 1310mm Model W/Wheel Base Between Intermediate Axle And Rear Axle 1310mm	22-1
22-B	中、后桥间传动轴装置图 II PROPELLER SHAFT BETWEEN INTERMEDIATE AXLE AND REAR AXLE II	斯泰尔桥的所有车型 All Models Of STEYR Axle	中后桥轴距 1310mm Model W/Wheel Base Between Intermediate Axle And Rear Axle 1310mm	22-3
22-C	中、后桥间传动轴装置图 III PROPELLER SHAFT BETWEEN INTERMEDIATE AXLE AND REAR AXLE III	加宽双后桥 Widened Dual Rear Axle	中后桥轴距 1350mm/1450mm Model W/Wheel Base Between Intermediate Axle And Rear Axle 1350mm/1450mm	22-5
22-D	单后桥传动轴装置图 SINGLE REAR AXLE PROPELLER SHAFT	单后桥车型 Single Rear Axle Model	轴距 3400mm Wheel Base 3400mm	22-7
22-E	中桥传动轴装置图 I INTERMEDIATE AXLE PROPELLER SHAFT I	所有车型 All Models	中桥传动轴有一根 One Intermediate Axle Propeller Shaft	22-9
22-F	中桥传动轴装置图 II INTERMEDIATE AXLE PROPELLER SHAFT II	所有车型 All Models	中桥传动轴有两根 Two Intermediate Axle Propeller Shafts	22-31
22-G	中桥传动轴装置图 III INTERMEDIATE AXLE PROPELLER SHAFT III	所有车型 All Models	中桥传动轴有三根 Three Intermediate Axle Propeller Shafts	22-67
22-H	后桥传动轴内部结构装置图 I REAR AXLE PROPELLER SHAFT INNER STRUCTURE I	2201AD-410	止口定位 Ring Ridge Locating	22-113
22-I	后桥传动轴内部结构装置图 II REAR AXLE PROPELLER SHAFT INNER STRUCTURE II	2201AD-010	止口定位 Ring Ridge Locating	22-115
22-J	中桥传动轴内部结构装置图 I INTERMEDIATE AXLE PROPELLER SHAFT INNER STRUCTURE I	13000N.m	端面齿定位 contrate Gear Locating	22-117
22-K	中桥传动轴内部结构装置图 II INTERMEDIATE AXLE PROPELLER SHAFT INNER STRUCTURE II	13000N.m	端面齿定位 contrate Gear Locating	22-119
22-L	中间传动轴内部结构装置图 I MIDDLE PROPELLER SHAFT INNER STRUCTURE I	15000N.m	端面齿定位 contrate Gear Locating	22-121
22-M	中间传动轴内部结构装置图 II MIDDLE PROPELLER SHAFT INNER STRUCTURE II	15000N.m	端面齿定位 contrate Gear Locating	22-123

24、后桥系统 / REAR AXLE SYSTEM

图号 No. Of Figure	名称 Name	适用产品 Products Applied	备注 Remark	页次 Page
24-A	斯太尔驱动后桥桥壳装置图 STEYR DRIVE REAR AXLE CASE	斯太尔驱动桥车型 STEYR Drive Axle Model		24-1
24-B	斯太尔驱动后桥驱动装置装置图 STEYR DRIVE REAR AXLE DRIVE UNIT	斯太尔驱动桥车型 STEYR Drive Axle Model		24-7
24-C	斯太尔后桥轮边行星减速器 I 装置图 STEYR REAR AXLE HUB PLANETARY REDUCER I	斯太尔驱动桥车型 STEYR Drive Axle Model		24-19
24-D	斯太尔后桥轮边行星减速器 II 装置图 STEYR REAR AXLE HUB PLANETARY REDUCER II	斯太尔驱动桥车型 STEYR Drive Axle Model		24-23
24-E	斯太尔驱动后桥制动器 I 装置图 STEYR DRIVE REAR AXLE BRAKE I	斯太尔驱动桥车型 STEYR Drive Axle Model		24-29
24-F	斯太尔驱动后桥制动器 II 装置图 STEYR DRIVE REAR AXLE BRAKE II	斯太尔驱动桥车型 STEYR Drive Axle Model		24-33
24-G	457 单桥后轮毂及制动鼓总成装置图 457 SINGLE AXLE REAR HUB AND BRAKE DRUM ASSEMBLY	457 单后桥 457-Single Rear Axle		24-37
24-H	457 单桥制动器总成装置图 457 SINGLE AXLE BRAKE ASSEMBLY	457 单后桥 457-Single Rear Axle		24-41
24-I	457 单桥主减速器总成装置图 457 SINGLE AXLE MAIN REDUCER ASSEMBLY	457 单后桥 457-Single Rear Axle		24-47
24-J	457 单后桥总成装置图 457 SINGLE REAR AXLE ASSEMBLY	457 单后桥 457-Single Rear Axle		24-53
24-K	457-6X4 后桥总成 457-6X4 REAR AXLE ASSEMBLY	457 双后桥 457-Dual Rear Axle		24-59
24-L	457-6X4 后桥减速器总成 457-6X4 REAR AXLE REDUCER ASSEMBLY	457 双后桥 457-Dual Rear Axle		24-65

图号 No. Of Figure	名称 Name	适用产品 Products Applied	备注 Remark	页次 Page
24-M	457-6X4 后桥制动器总成 457-6X4 REAR AXLE BRAKE ASSEMBLY	457 双后桥 457-Dual Rear Axle		24-75
24-N	457-6X4 后桥制动鼓总成 457-6X4 REAR AXLE BRAKE DRUM ASSEMBLY	457 双后桥 457-Dual Rear Axle		24-81

25、中桥系统 /INTERMEDIATE AXLE

图号 No. Of Figure	名称 Name	适用产品 Products Applied	备注 Remark	页次 Page
25-A	斯太尔驱动中桥桥壳装置图 STEYR DRIVE INTERMEDIATE AXLE CASE	斯太尔双后桥车型 STEYR Dual Rear Axle		25-1
25-B	斯太尔驱动中桥驱动装置 I 装置图 STEYR DRIVE INTERMEDIATE AXLE DRIVE DEVICE I	斯太尔双后桥车型 STEYR Dual Rear Axle		25-11
25-C	斯太尔驱动中桥驱动装置 II 装置图 STEYR DRIVE INTERMEDIATE AXLE DRIVE DEVICE II	斯太尔双后桥车型 STEYR Dual Rear Axle		25-19
25-D	斯太尔驱动中桥驱动装置 III 装置图 STEYR DRIVE INTERMEDIATE AXLE DRIVE DEVICE III	斯太尔双后桥车型 STEYR Dual Rear Axle		25-25
25-E	斯太尔驱动中桥制动器 I 装置图 STEYR DRIVE INTERMEDIATE AXLE BRAKE I	斯太尔双后桥车型 STEYR Dual Rear Axle		25-31
25-F	斯太尔驱动中桥制动器 II 装置图 STEYR DRIVE INTERMEDIATE AXLE BRAKE II	斯太尔双后桥车型 STEYR Dual Rear Axle		25-35
25-G	457 中桥减速与桥壳总成 457 INTERMEDIATE AXLE REDUCER AND CASE ASSEMBLY	457 双后桥车型 457-Dual Rear Axle		25-39
25-H	457-6X4 中桥制动器 457-6X4 INTERMEDIATE AXLE BRAKE	457 双后桥车型 457-Dual Rear Axle		25-57
25-I	457-6X4 制动鼓总成 457-6X4 BRAKE DRUM ASSEMBLY	457 双后桥车型 457-Dual Rear Axle		25-63

28、车架系统 /FRAME SYSTEM

图号 No. Of Figure	名称 Name	适用产品 Products Applied	备注 Remark	页次 Page
28-A	保险杠装配图 BUMPER			28-1
28-B	窄体保险杠装配图 NARROW CAB BUMPER	窄体系列 Narrow Cab Series		28-5
28-C	欧款系列保险杠装配图 EUROPE BUMPER	欧款系列 Europe Series		28-7
28-D	28A4D 车架爆炸图 28A4D FRAME		3600 + 1350	28-11
28-E	28A4DZ2 车架爆炸图 28A4DZ2 FRAME		4100 + 1350	28-17
28-F	28A4DZ12 车架爆炸图 28A4DZ12 FRAME		4400 + 1350	28-23
28-G	28A4Q15 车架总成爆炸图 28A4Q15 FRAME ASSEMBLY		3200 + 1350	28-29
28-H	28A4DQ1 车架总成爆炸图 28A4DQ1 FRAME ASSEMBLY		3400	28-35
28-I	28A4DP 车架爆炸图 28A4DP FRAME		4710 + 1350	28-41
28-J	28A4DP1 车架爆炸图 28A4DP1 FRAME		5220 + 1350	28-47
28-K	28A4DP3 车架爆炸图 28A4DP3 FRAME		1850 + 4605 + 1350	28-53
28-L	28A4DP4 车架爆炸图 28A4DP4 FRAME		1850 + 3370 + 1350	28-59

图号 No. Of Figure	名称 Name	适用产品 Products Applied	备注 Remark	页次 Page
28-M	28A4DP5 车架爆炸图 28A4DP5 FRAME		1850 + 4000 + 1350	28-65
28-N	28A4DP9 车架爆炸图 28A4DP9 FRAME		5850 + 1350	28-71
28-O	28A4DP10 车架爆炸图 28A4DP10 FRAME		1850 + 5310	28-77
28-P	28A4DZ4 车架爆炸图 28A4DZ4 FRAME		1850 + 3370 + 1350	28-83
28-Q	第一横梁总成装配图 FIRST CROSS MEMBER ASSEMBLY			28-89
28-R	28AD 第二横梁总成装配图 28AD SECOND CROSS MEMBER ASSEMBLY			28-91
28-S	28A2D 第二横梁总成装配图 28A2D SECOND CROSS MEMBER ASSEMBLY			28-93
28-T	28A3D 第二横梁总成装配图 28A3D SECONG CROSS MEMBER ASSEMBLY			28-95
28-U	28A4D 第二横梁装配图 28A4D SECOND CROSS MEMBER			28-97
28-V	左右支架总成—第三横梁装配图 LEFT AND RIGHT BRACKET ASSEMBLY-THIRD CROSS MEMBER			28-99
28-W	第三横梁左右总成装配图 THIRD CROSS MEMBER ASSEMBLY		斯太尔动力 STEYR Engine	28-101
28-X	第三横梁左右总成装配图 THIRD CROSS MEMBER LEFT AND RIGHT ASSEMBLY		康明斯动力 CUMMINS Engine	28-103
28-Y	第四横梁总成装配图 FOURTH CROSS MEMBER ASSEMBLYL			28-105
28-Z	28A4DP5 第四横梁总成装配图 28A4DP5 FOURTH CROSS MEMBER ASSEMBLY			28-107

图号 No. Of Figure	名称 Name	适用产品 Products Applied	备注 Remark	页次 Page
28-AA	第五横梁总成装配图 FIFTH CROSS MEMBER ASSEMBLY			28-109
28-AB	28AP 第五横梁总成装配图 28AP FIFTH CROSS MEMBER ASSEMBLY			28-111
28-AC	28ADP7 第五横梁总成装配图 28ADP7 FIFTH CROSS MEMBER ASSEMBLY			28-113
28-AD	28A4DP8 传动轴中间支撑横梁总成装配图 28A4DP8 PROPELLER SHAFT CENTER SUPPORT CROSS MEMBER ASSEMBLY			28-115
28-AE	28AP 第六横梁总成装配图 28AP SIXTH CROSS MEMBER ASSEMBLY			28-117
28-AF	28A 第六横梁装配图 28A SIXTH CROSS MEMBER			28-119
28-AG	28AZ 第六横梁装配图 28AZ SIXTH CROSS MEMBER			28-121
28-AH	28ADQ 第六横梁装配图 28ADQ SIXTH CROSS MEMBER			28-123
28-AI	28AD 第七横梁装配图 28AD SEVENTH CROSS MEMBER			28-125
28-AJ	28AP 第八横梁总成装配图 28AP EIGHTH CROSS MEMBER ASSEMBLY			28-127
28-AK	28AH4D 左右纵梁装配图 28AH4D LEFT AND RIGHT SIDE MEMBER			28-129
28-AL	28A4DZ2 左右纵梁装配图 28A4DZ2 LEFT AND RIGHT SIDE MEMBER			28-135
28-AM	28A4DZ12 左右纵梁装配图 28A4DZ12 LEFT AND RIGHT SIDE MEMBER			28-141
28-AN	28A4DQ15 左右纵梁装配图 28A4DQ15 LEFT AND RIGHT SIDE MEMBER			28-147

图号 No. Of Figure	名称 Name	适用产品 Products Applied	备注 Remark	页次 Page
28-AO	28AH4DQ1 左右纵梁装配图 28AH4DQ1 LEFT AND RIGHT SIDE MEMBER			28-153
28-AP	28AH4DP 左右纵梁装配图 28AH4DP LEFT AND RIGHT SIDE MEMBER			28-157
28-AQ	28AH4DP1 左右纵梁装配图 28AH4DP1 LEFT AND RIGHT SIDE MEMBER			28-163
28-AR	28AH4DP9 左右纵梁装配图 28AH4DP9 LEFT AND RIGHT SIDE MEMBER			28-169
28-AS	28AH4DP3 左右纵梁装配图 28AH4DP3 LEFT AND RIGHT SIDE MEMBER			28-175
28-AT	28AH4DP4 左右纵梁装配图 28AH4DP4 LEFT AND RIGHT SIDE MEMBER			28-181
28-AU	28AH4DP5 左右纵梁装配图 28AH4DP5 LEFT AND RIGHT SIDE MEMBER			28-187
28-AV	28AH4DP10 左右纵梁装配图 28AH4DP10 LEFT AND RIGHT SIDE MEMBER			28-193
28-AW	28AH4DZ4 左右纵梁装配图 28AH4DZ4 LEFT AND RIGHT SIDE MEMBER			28-197
28-AX	28A 第二横梁装配图 28A SECOND CROSS MEMBER			28-203
28-AY	左右支架 - 第三横梁装配图 LEFT AND RIGHT BRACKET-THIRD CROSS MEMBER			28-205
28-AZ	第四横梁装配图 FOURTH CROSS MEMBER			28-207
28-BA	28A4DP5 第四横梁装配图 28A4DP5 FOURTH CROSS MEMBER			28-209
28-BB	第五横梁装配图 FIFTH CROSS MEMBER			28-211

图号 No. Of Figure	名称 Name	适用产品 Products Applied	备注 Remark	页次 Page
28-BC	28AP 传动轴中间支撑横梁图 28AP PROPELLER SHAFT CENTER SUPPORT CROSS MEMBER			28-213
28-BD	28ADP7 第五横梁装配图 28ADP7 FIFTH CROSS MEMBER			28-215
28-BE	28A4DP8 传动轴中间支撑横梁装配图 28A4DP8 PROPELLER SHAFT CENTER SUPPORT CROSS MEMBER			28-217
28-BF	28AP 第六横梁装配图 28AP SIXTH CROSS MEMBER			28-219
28-BG	拖钩装置图 TOWING HOOK			28-221

29、悬架系统 /SUSPENSION SYSTEM

图号 No. Of Figure	名称 Name	适用产品 Products Applied	备注 Remark	页次 Page
29-A	前板簧吊耳座装置图 I FRONT LEAF SPRING SHACKLE SEAT I	康明斯发动机系列车型 CUMMINS Engine Series	车架左侧 Left Side Of The Frame	29-1
29-B	前板簧吊耳座装置图 II FRONT LEAF SPRING SHACKLE SEAT II	康明斯发动机系列车型 CUMMINS Engine Series	车架右侧 Right Side Of The Frame	29-3
29-C	前板簧吊耳座装置图 III FRONT LEAF SPRING SHACKLE SEAT III	斯泰尔发动机系列车型 STEYR Engine Series	车架左侧 Left Side Of The Frame	29-5
29-D	前板簧吊耳座装置图 IV FRONT LEAF SPRING SHACKLE SEAT IV	斯泰尔发动机系列车型 STEYR Engine Series	车架右侧 Right Side Of The Frame	29-7
29-E	前板簧吊耳装置图 FRONT LEAF SPRING SHACKLE	康明斯、斯泰尔发动机系列车型 CUMMINS, STEYR Engine Series	左右对称 Left And Right Are Symetrical	29-9
29-F	四桥车前板簧支架装置图 I 4-AXLE VEHICLE FRONT LEAF SPRING BRACKET I	所有四桥车型 All 4-Axle Vehicle	左右对称 Left And Right Are Symetrical	29-11
29-G	四桥车前板簧支架装置图 II 4-AXLE VEHICLE FRONT LEAF SPRING BRACKET II	所有四桥车型 All 4-Axle Vehicle	左右对称 Left And Right Are Symetrical	29-13
29-H	四桥车限位块挡块装置图 I 4-AXLE VEHICLE LIMITING STOPPER I	所有四桥车型 All 4-Axle Vehicle	车架右侧 Right Side Of The Frame	29-15
29-I	四桥车限位块挡块装置图 II 4-AXLE VEHICLE LIMITING STOPPER II	所有四桥车型 All 4-Axle Vehicle	车架左侧 Left Side Of The Frame	29-17
29-J	减震器装置图 SHOCK ABSORBER	所有非四桥车型 All Non 4-Axle Vehicle	左右对称 Left And Right Are Symetrical	29-19
29-K	四桥车减震器装置图 I 4-AXLE VEHICLE SHOCK ABSORBER I	所有四桥车型 All 4-Axle Vehicle	左右对称 Left And Right Are Symetrical	29-21
29-L	四桥车减震器装置图 II 4-AXLE VEHICLE SHOCK ABSORBER II	所有四桥车型 All 4-Axle Vehicle	左右对称 Left And Right Are Symetrical	29-23

图号 No. Of Figure	名称 Name	适用产品 Products Applied	备注 Remark	页次 Page
29-M	平衡轴装置图 I TRUNNION SHAFT I	中、后桥轴距 1310mm 车型 Model W/Wheel Base Between Intermediate Axle And Rear Axle 1310mm	五十铃结构 ISUZU Structure	29-25
29-N	平衡轴装置图 II TRUNNION SHAFT II	中、后桥轴距 1350mm 车型 Model W/Wheel Base Between Intermediate Axle And Rear Axle 1350mm	三菱结构 Mitsubishi Structure	29-27
29-O	板簧挡块装置图 I LEAF SPRING STOPPER I	板簧中心距 1002mm 车型 Model W/Leaf Spring Centre Distance 1002mm	左右对称 Left And Right Are Symetrical	29-29
29-P	板簧挡块装置图 II LEAF SPRING STOPPER II	板簧中心距 1040mm 车型 Model W/Leaf Spring Centre Distance 1040mm	左右对称 Left And Right Are Symetrical	29-31
29-Q	后板簧装置图 I REAR LEAF SPRING I	中、后桥轴距 1310mm 车型 Model W/Wheel Base Between Intermediate Axle And Rear Axle 1310mm	左右对称 Left And Right Are Symetrical	29-33
29-R	后板簧装置图 II REAR LEAF SPRING II	中、后桥轴距 1310mm 车型 Model W/Wheel Base Between Intermediate Axle And Rear Axle 1310mm	左右对称 Left And Right Are Symetrical	29-35
29-S	后板簧装置图 III REAR LEAF SPRING III	中、后桥轴距 1310mm 车型 Model W/Wheel Base Between Intermediate Axle And Rear Axle 1310mm	左右对称 Left And Right Are Symetrical	29-37
29-T	后板簧装置图 IV REAR LEAF SPRING IV	中、后桥轴距 1350mm 车型 Model W/Wheel Base Between Intermediate Axle And Rear Axle 1350mm	左右对称 Left And Right Are Symetrical	29-39
29-U	前板簧装置图 I FRONT LEAF SPRING I	所有非四桥车型 All Non 4-Axle Vehicle	车架左侧 Left Side Of The Frame	29-41
29-V	前板簧装置图 II FRONT LEAF SPRING II	所有非四桥车型 All Non 4-Axle Vehicle	车架右侧 Right Side Of The Frame	29-43
29-W	前板簧装置图 III FRONT LEAF SPRING III	所有非四桥车型 All Non 4-Axle Vehicle	左右对称 Left And Right Are Symetrical	29-45
29-X	四桥车前板簧装置图 I 4-AXLE VEHICLE FRONT LEAF SPRING I	所有四桥车型 All 4-Axle Vehicle	车架左侧 Left Side Of The Frame	29-47
29-Y	四桥车前板簧装置图 II 4-AXLE VEHICLE FRONT LEAF SPRING II	所有四桥车型 All 4-Axle Vehicle	车架右侧 Right Side Of The Frame	29-49

图号 No. Of Figure	名称 Name	适用产品 Products Applied	备注 Remark	页次 Page
29-Z	四桥车前板簧装置图III 4-AXLE VEHICLE FRONT LEAF SPRING III	所有四桥车型 All 4-Axle Vehicle	左右对称 Left And Right Are Symetrical	29-51
29-AA	单桥后悬架装置图 SINGLE AXLE REAR SUSPENSION	单后桥车型 Single Rear Axle Model	左右对称 Left And Right Are Symetrical	29-53
29-AB	推力杆装置图 I DISTANCE ROD I	中、后桥轴距 1310mm 车型 Model W/Wheel Base Between Intermediate Axle And Rear Axle 1310mm	五十铃结构平衡轴 ISUZU Structure Trunnion Shaft	29-57
29-AC	推力杆装置图 II DISTANCE ROD II	中、后桥轴距 1350mm 车型 Model W/Wheel Base Between Intermediate Axle And Rear Axle 1350mm	三菱结构平衡轴 Mitsubishi Structure Trunnion Shaft	29-81
29-AD	推力杆装置图 III DISTANCE ROD III	中、后桥轴距 1310mm 车型 Model W/Wheel Base Between Intermediate Axle And Rear Axle 1310mm	五十铃结构平衡轴 ISUZU Structure Trunnion Shaft	29-87
29-AE	推力杆装置图 IV DISTANCE ROD IV	中、后桥轴距 1350mm 车型 Model W/Wheel Base Between Intermediate Axle And Rear Axle 1350mm	三菱结构平衡轴 Mitsubishi Structure Trunnion Shaft	29-91
29-AF	限位块装置图 I LIMITING STOPPER I	中、后桥轴距 1310mm 车型 Model W/Wheel Base Between Intermediate Axle And Rear Axle 1310mm	五十铃结构平衡轴 ISUZU Structure Trunnion Shaft	29-95
29-AG	限位块装置图 II LIMITING STOPPER II	中、后桥轴距 1350mm 车型 Model W/Wheel Base Between Intermediate Axle And Rear Axle 1350mm	三菱结构平衡轴 Mitsubishi Structure Trunnion Shaft	29-97

30、前轴系统 /FRONT AXLE SYSTEM

图号 No. Of Figure	名称 Name	适用产品 Products Applied	备注 Remark	页次 Page
30-A	解放前轴前桥管路图 JIEFANG FRONT AXLE LINE			30-1
30-B	解放前轴展开图 JIEFANG FRONT AXLE			30-3
30-C	解放前轴展开图 JIEFANG FRONT AXLE			30-9
30-D	解放前轴展开图 JIEFANG FRONT AXLE			30-15
30-E	泰州前轴展开图 TAIZHOU FRONT AXLE			30-19
30-F	泰州前轴轮毂展开图 TAIZHOU FRONT AXLE HUB			30-25
30-G	泰州前轴制动器展开图 TAIZHOU FRONT AXLE BRAKE			30-29

31、车轮及轮毂系统 /WHEEL AND HUB SYSTEM

图号 No. Of Figure	名称 Name	适用产品 Products Applied	备注 Remark	页次 Page
31-A	双后桥车型轮胎装置图 DUAL REAR AXLE MODEL TIRE			31-1
31-B	单后桥车型轮胎装置图 SINGLE REAR AXLE MODEL TIRE			31-3
31-C	轮胎装置图 I TIRE I			31-5
31-D	轮胎装置图 II TIRE II			31-7
31-E	备胎架及其升降机构 I SPARE-TIRE CARRIER AND ITS LIFT MECHANISM I	1850 + 3370/4000/4605 + 1350 货车 1850 + 3370/4000/4605 + 1350 Truck	5850 + 1350/5220 + 1350/4710 + 1350 轴距货车 Truck W/Wheel Base 5850 + 1350/5220 + 1350/4710 + 1350	31-9
31-F	备胎架及其升降机构 II SPARE-TIRE CARRIER AND ITS LIFT MECHANISM II	3600/4100/4400 + 1350、1850 + 3370 + 1350 搅 拌及自卸车、1850 + 4000 + 1350 自卸车 3600/4100/4400 + 1350、1850 + 3370 + 1350 Mixer And Dump Truck,1850 + 4000 + 1350 Dump Truck		31-11

34、转向系统 /STEERING SYSTEM

图号 No. Of Figure	名称 Name	适用产品 Products Applied	备注 Remark	页次 Page
34-A	转向直拉杆和转向垂臂图 STEERING DRAG LINK AND STEERING DROP ARM			34-1
34-B	3401AD-010 转向器展开图 3401AD-010 STEERING GEAR			34-5
34-C	3401AD-010-B 转向器展开图 3401AD-010-B STEERING GEAR			34-11
34-D	转向管柱图 STEERING COLUMN			34-17
34-E	转向直拉杆和垂臂图 STEERING DRAG LINK AND STEERING DROP ARM			34-23
34-F	中间臂支架及垂臂图 MIDDLE ARM BRACKET AND DROP ARM			34-27
34-G	转向器连转向管柱图 STEERING GEAR CONNECTING STEERING COLUMN			34-29
34-H	转向油管连转向油泵图 STEERING OIL PIPE CONNECTING STEERING OIL PUMP			34-31
34-I	转向油管图 STEERING OIL PIPE			34-33
34-J	右驾转向直拉杆和转向垂臂图 STEERING DRAG LINK AND STEERING DROP ARM OF RHD			34-35
34-K	右驾转向器展开图 STEERING GEAR OF RHD			34-39

35、制动系统 /BRAKE SYSTEM

图号 No. Of Figure	名称 Name	适用产品 Products Applied	备注 Remark	页次 Page
35-A	驾驶室部分制动系统装置图 BRAKE SYSTEM IN CAB			35-1
35-B	储气筒装置图 AIR RESERVOIR			35-9
35-C	储气筒安装总成图 AIR RESERVOIR INSTALLATION			35-15
35-D	四桥车制动原理图 4-AXLE VEHICLE BRAKE	四桥车 4-Axle Vehicle		35-19
35-E	6×4 系列底盘制动原理图 (A 型) 6×4 SERIES CHASSIS BRAKE(A TYPE)	斯太尔系列 STEYR Series		35-23
35-F	6×4 系列底盘制动原理图 (B 型) 6×4 SERIES CHASSIS BRAKE(B TYPE)	搅拌、自卸、货车 Mixer, Dump Truck, Truck		35-27
35-G	双后桥装配图 (NO ABS) DUAL REAR AXLE (W/O ABS)			35-31
35-H	双后桥预装配图 (配 ABS) DUAL REAR AXLE(W/ABS)			35-33
35-I	单后桥预装配图 (NO ABS) SINGLE REAR AXLE(W/O ABS)			35-35
35-J	单后桥预装配图 (配 ABS) SINGLE REAR AXLE(W/ ABS)			35-37
35-K	挂车阀及螺旋管预装图 TRAILER BRAKE VALVE AND SPIRAL TUBE	牵引车 Tractor		35-39
35-L	6×4 牵引车制动原理图 6×4 TRACTOR BRAKE			35-43

图号 No. Of Figure	名称 Name	适用产品 Products Applied	备注 Remark	页次 Page
35-M	4×2 牵引车制动原理图 4×2 TRACTOR BRAKE			35-49
35-N	空压机系统预装图 AIR COMPRESSOR SYSTEM			35-53
35-O	气源连接图 AIR SOURCE			35-59
35-P	辅助用气原理图 AIDED AIR THEORY			35-63
35-Q	右驾驶室部分制动系统装置图 BRAKE SYSTEM IN CAB OF RHD	右驾车型 RHD		35-67

36、电子装置系统 /ELECTRIC DEVICE SYSTEM

图号 No. Of Figure	名称 Name	适用产品 Products Applied	备注 Remark	页次 Page
36-A	车速, 闪光, 多功能控制器装置图 VEHICLE SPEED,FLASHER,MULTI-CONTROLLER			36-1
36-B	脉冲分配器装置图 PULSE DISTRIBUTOR			36-3
36-C	电动门窗控制装置图 POWER WINDOW CONTROLLER			36-5
36-D	水位传感器, 燃油液位传感器 WATER LEVEL SENSOR,FUEL LEVEL SENSOR			36-7
36-E	气压传感器 AIR PRESSURE SENSOR			36-9
36-F	油门传感器, 车速传感器 THROTTLE SENSOR, SPEED SENSOR			36-11
36-G	ABS 控制器 ABS CONTROLLER	康明斯发动机系列 CUMMINS Engine Series		36-13
36-H	ABS 控制器 ABS CONTROLLER	斯太尔发动机系列 STEYR Engine Series		36-17
36-I	车速传感器、机油压力传感器、水温传感器 SPEED SENSOR, OIL PRESSURE SENSOR, WATER TEMPERATURE SENSOR			36-19

37、电气设备系统 /ELECTRIC EQUIPMENT SYSTEM

图号 No. Of Figure	名称 Name	适用产品 Products Applied	备注 Remark	页次 Page
37-A	翘板开关装置图 I PADDLE SWITCH I			37-1
37-B	翘板开关装置图 II PADDLE SWITCH II			37-3
37-C	翘板开关装置图 III PADDLE SWITCH III			37-7
37-D	蓄电池框装置图 BATTERY FRAME			37-9
37-E	蓄电池框支架图 BATTERY FRAME BRACKET			37-13
37-F	蓄电池框挡板装置图 BATTERY FRAME BAFFLE			37-15
37-G	大电流保险丝盒装置图 HIGH CURRENT FUSE BOX			37-17
37-H	大电流保险丝盒座 HIGH CURRENT FUSE BOX BASE			37-19
37-I	主电源继电器, 起动继电器装置图 PRIMARY POWER SUPPLY RELAY, STARTER RELAY			37-21
37-J	音响总成 AUDIO ASSEMBLY			37-23
37-K	电、气喇叭, 蜂鸣器装置 ELECTRIC HORN, AIR HORN, BUZZER			37-25
37-L	车尾灯, 蜂鸣器装置 TAILLAMP, BUZZER			37-27

图号 No. Of Figure	名称 Name	适用产品 Products Applied	备注 Remark	页次 Page
37-M	车尾灯, 蜂鸣器装置 TAILLAMP, BUZZER			37-31
37-N	示廓灯, 车速灯 CLEARANCE LIGHT, SPEED LIGHT			37-33
37-O	侧转向灯, 踏步灯装置 SIDE TURN LIGHT, STEP LAMP			37-35
37-P	前组合灯, 雾灯 FRONT COMBINATION LIGHT, FOG LIGHT			37-37
37-Q	室内荧光灯, 阅读灯 (平顶车) INDOOR FLUORESCENT LAMP, READING LAMP (FLAT ROOF VEHICLE)			37-43
37-R	点烟器装置 CIGAR LIGHTER			37-45
37-S	进气加热器指示器总成 INTAKE HEATER INDICATOR ASSEMBLY			37-47
37-T	组合开关, 点火锁装置 COMBINATION SWITCH, IGNITION LOCK			37-49
37-U	熄火电机, 龙门架线束, 空气滤清传感器 ENGINE STOP MOTOR, GANTRY WIRE HARNESS, AIR FILTER SENSOR			37-51
37-V	雨刮器总成 WIPER ASSEMBLY			37-53
37-W	ABS 七孔插座 ABS 7-JACK SOCKET			37-55
37-X	预热继电器 PRE-HEATING RELAY			37-57
37-Y	继电器盒装置 RELAY BOX			37-59
37-Z	保险丝盒 FUSE BOX			37-63

图号 No. Of Figure	名称 Name	适用产品 Products Applied	备注 Remark	页次 Page
37-AA	离合器开关 CLUTCH SWITCH			37-67
37-AB	支架, 线夹 BRACKET,WIRE CLIP			37-69
37-AC	扎带, 定位夹 BAND, LOCATING CLAMP			37-75
37-AD	整车线束 COMPLETE VEHICLE WIRE HARNESS			37-79
37-AE	高顶车示廓灯, 气喇叭, 室内照明 HIGH ROOF VEHICLE CLEARANCE LAMP, AIR HORN, INTERIOR LIGHTING	高顶车 High Roof Vehicle		37-113
37-AF	发电机 GENERATOR			37-115

38、仪器仪表系统 /INSTRUMENT AND METER SYSTEM

图号 No. Of Figure	名称 Name	适用产品 Products Applied	备注 Remark	页次 Page
38-A	组合仪表装置图 COMBINATION METER			38-1

39、随车工具 /DRIVER'S TOOL

图号 No. Of Figure	名称 Name	适用产品 Products Applied	备注 Remark	页次 Page
39-A	随车工具 DRIVER'S TOOL			39-1

50、车身系统 /BODY SYSTEM

图号 No. Of Figure	名称 Name	适用产品 Products Applied	备注 Remark	页次 Page
50-A	驾驶室总成 CAB ASSEMBLY		平顶驾驶室专用 Only For Flat Roof Cab	50-1
50-B	窄体驾驶室总成 NARROW CAB ASSEMBLY	窄体系列 Narrow Cab Series	平顶驾驶室专用 Only For Flat Roof Cab	50-5
50-C	右驾驾驶室总成 CAB ASSEMBLY FOR RHD	右驾系列 RHD Series	平顶驾驶室专用 Only For Flat Roof Cab	50-9
50-D	驾驶室总成 CAB ASSEMBLY		高顶驾驶室专用 Only For High Roof Cab	50-13
50-E	右驾驾驶室总成 CAB ASSEMBLY FOR RHD	右驾系列 RHD Series	高顶驾驶室专用 Only For High Roof Cab	50-17
50-F	驾驶室前悬置 CAB FRONT MOUNTING			50-21
50-G	驾驶室后悬置 CAB REAR MOUNTING			50-27
50-H	驾驶室翻转器 CAB TILT DEVICE			50-31
50-I	右驾驾驶室翻转器 CAB TILT DEVICE FOR RHD	右驾系列 RHD Series		50-39
50-J	轮罩 WHEEL HOUSING			50-43
50-K	发动机护罩 ENGINE PROTECTING COVER			50-47

51、车身地板系统 /BODY FLOOR SYSTEM

图号 No. Of Figure	名称 Name	适用产品 Products Applied	备注 Remark	页次 Page
51-A	地板堵盖系列 FLOOR BLOCK COVER SERIES			51-1
51-B	后置物盒 REAR STORAGE BOX			51-3
51-C	右驾后置物盒 REAR STORAGE BOX FOR RHD	右驾系列 RHD Series		51-9
51-D	排档罩 SHIFT COVER			51-15
51-E	右驾排档罩 SHIFT COVER FOR RHD	右驾系列 RHD Series		51-17
51-F	驾驶室地毯 CAB FLOOR CARPET			51-19
51-G	右驾驾驶室地毯 CAB FLOOR CARPET FOR RHD	右驾系列 RHD Series		51-23
51-H	软挡泥板 SOFT FENDER			51-27
51-I	下脚踏板 LOWER PEDAL			51-31
51-J	欧款下脚踏板 EUROPE LOWER PEDAL	欧款系列 Europe Series		51-37
51-K	上脚踏板 UPPER PEDAL			51-43

52、风窗系统 /WINDSHIELD SYSTEM

图号 No. Of Figure	名称 Name	适用产品 Products Applied	备注 Remark	页次 Page
52-A	刮水器、洗涤器 WIPER,WASHER			52-1
52-B	刮水器、洗涤器 WIPER,WASHER	右驾系列 RHD Series		52-3
52-C	驾驶室玻璃 CAB GLASS			52-5

53、前围系统 /FRONT-WALL SYSTEM

图号 No. Of Figure	名称 Name	适用产品 Products Applied	备注 Remark	页次 Page
53-A	驾驶室仪表板 CAB DASHBOARD			53-1
53-B	右驾驾驶室仪表板 CAB DASHBOARD FOR RHD	右驾系列 RHD Series		53-7
53-C	驾驶室前内护板 CAB FRONT INNER SHIELD			53-13
53-D	右驾驾驶室前内护板 CAB FRONT INNER SHIELD FOR RHD	右驾系列 RHD Series		53-17
53-E	仪表罩 INSTRUMENT SHROUD			53-21
53-F	右驾仪表罩 INSTRUMENT SHROUD FOR RHD	右驾系列 RHD Series		53-23

56、后围系统 /REAR QUARTER SYSTEM

图号 No. Of Figure	名称 Name	适用产品 Products Applied	备注 Remark	页次 Page
56-A	后围进气道总成 REAR QUARTER INTAKE DUCT ASSEMBLY			56-1

57、侧围、顶盖系统 /QUARTER,ROOF SYSTEM

图号 No. Of Figure	名称 Name	适用产品 Products Applied	备注 Remark	页次 Page
57-A	驾驶室前顶部件 CAB FRONT ROOF SET		低顶驾驶室专用 Only For Low Roof Cab	57-1
57-B	顶盖内顶部件 CAB INNER ROOF SET		低顶驾驶室专用 Only For Low Roof Cab	57-7
57-C	驾驶室前顶部件 CAB FRONT ROOF SET		高顶驾驶室专用 Only For High Roof Cab	57-15
57-D	顶盖内顶部件 I CAB INNER ROOF SET I		高顶驾驶室专用 Only For High Roof Cab	57-21
57-E	顶盖内顶部件 II CAB INNER ROOF SET II		高顶驾驶室专用 Only For High Roof Cab	57-27
57-F	遮阳罩 SUNSHADE		高顶驾驶室专用 Only For High Roof Cab	57-33

61、车门系统 /DOOR ASSEMBLY

图号 No. Of Figure	名称 Name	适用产品 Products Applied	备注 Remark	页次 Page
61-A	车门门锁 DOOR LOCK			61-1
61-B	车门导轨升降器 DOOR RAIL REGULATOR			61-5
61-C	车门内护板 DOOR INSIDE PROTECTING PLATE			61-9
61-D	车门铰链 DOOR HINGE			61-13
61-E	车门玻璃、密封条 DOOR GLASS,WEATHER STRIP			61-17

68、座椅、卧铺系统 /SEAT, SLEEPING BERTH SYSTEM

图号 No. Of Figure	名称 Name	适用产品 Products Applied	备注 Remark	页次 Page
68-A	座椅、卧铺 SEAT,SLEEPING BERTH		低顶驾驶室专用 Only For Low Roof Cab	68-1
68-B	座椅、卧铺系统 (右驾系列) SEAT,SLEEPING BERTH SYSTEM (RHD SERIES)	右驾系列 RHD Series	低顶驾驶室专用 Only For Low Roof Cab	68-3
68-C	座椅、卧铺系统 SEAT,SLEEPING BERTH SYSTEM		高顶驾驶室专用 Only For High Roof Cab	68-5
68-D	座椅、卧铺系统 (右驾系列) SEAT,SLEEPING BERTH SYSTEM (RHD SERIES)	右驾系列 RHD Series	高顶驾驶室专用 Only For High Roof Cab	68-7

81、空气调节系统 /AIR CONDITIONING SYSTEM

图号 No. Of Figure	名称 Name	适用产品 Products Applied	备注 Remark	页次 Page
81-A	控制面板、三箱体 CONTROL PANEL,THREE-BOX BODY			81-1
81-B	控制面板、三箱体(右驾系列) CONTROL PANEL,THREE-BOX BODY(RHD SERIES)	右驾系列 RHD Series		81-5
81-C	暖风管路 HEATER PIPELINE		康明斯系列发动机空调专用 Only For CUMMINS Series Engine Air Conditioning	81-7
81-D	压缩机、管路、冷凝器 COMPRESSOR,PIPELINE,CONDENSER		康明斯系列发动机空调专用 Only For CUMMINS Series Engine Air Conditioning	81-13
81-E	暖风管路 HEATER PIPELINE		斯太尔系列发动机专用 Only For STEYR Series Engine	81-23
81-F	压缩机、管路、冷凝器 COMPRESSOR,PIPELINE,CONDENSER		斯太尔系列发动机空调专用 Only For STEYR Series Engine Air Conditioning	81-27

82、附件系统 /ACCESSORY SYSTEM

图号 No. Of Figure	名称 Name	适用产品 Products Applied	备注 Remark	页次 Page
82-A	后视镜、遮阳板 REAR VIEW MIRROR, SUNSHADE		低顶驾驶室专用 Only For Low Roof Cab	82-1
82-B	后视镜、遮阳板(右驾系列) REAR VIEW MIRROR, SUNSHADE(RHD SERIES)	右驾系列 RHD Series	低顶驾驶室专用 Only For Low Roof Cab	82-7
82-C	安全带装置 SEAT BELT			82-13
82-D	安全带装置(右驾系列) SEAT BELT (RHD SERIES)	右驾系列 RHD Series		82-15
82-E	扶手 ARM REST			82-17
82-F	后视镜、遮阳板 REAR VIEW MIRROR, SUNSHADE		低顶驾驶室专用 Only For Low Roof Cab	82-23
82-G	后视镜、遮阳板(右驾系列) REAR VIEW MIRROR, SUNSHADE (RHD SERIES)	右驾系列 RHD Series	高顶驾驶室专用 Only For High Roof Cab	82-29

84、前盖板组件 /FRONT COVER PANEL SET

图号 No. Of Figure	名称 Name	适用产品 Products Applied	备注 Remark	页次 Page
84-A	前盖板 FRONT COVER PANEL			84-1
84-B	欧款前围外饰件 FRONT-WALL EXTERIOR TRIMMING PARTS FOR EUROPE MODEL	欧款系列 Europe Series		84-7
84-C	窄体前围外饰件 FRONT-WALL EXTERIOR TRIMMING PARTS FOR NARROW CAB MODEL	窄体系列 Narrow Cab Series		84-11
84-D	盖板操纵机构 COVER PANEL CONTROL MECHANISM			84-15

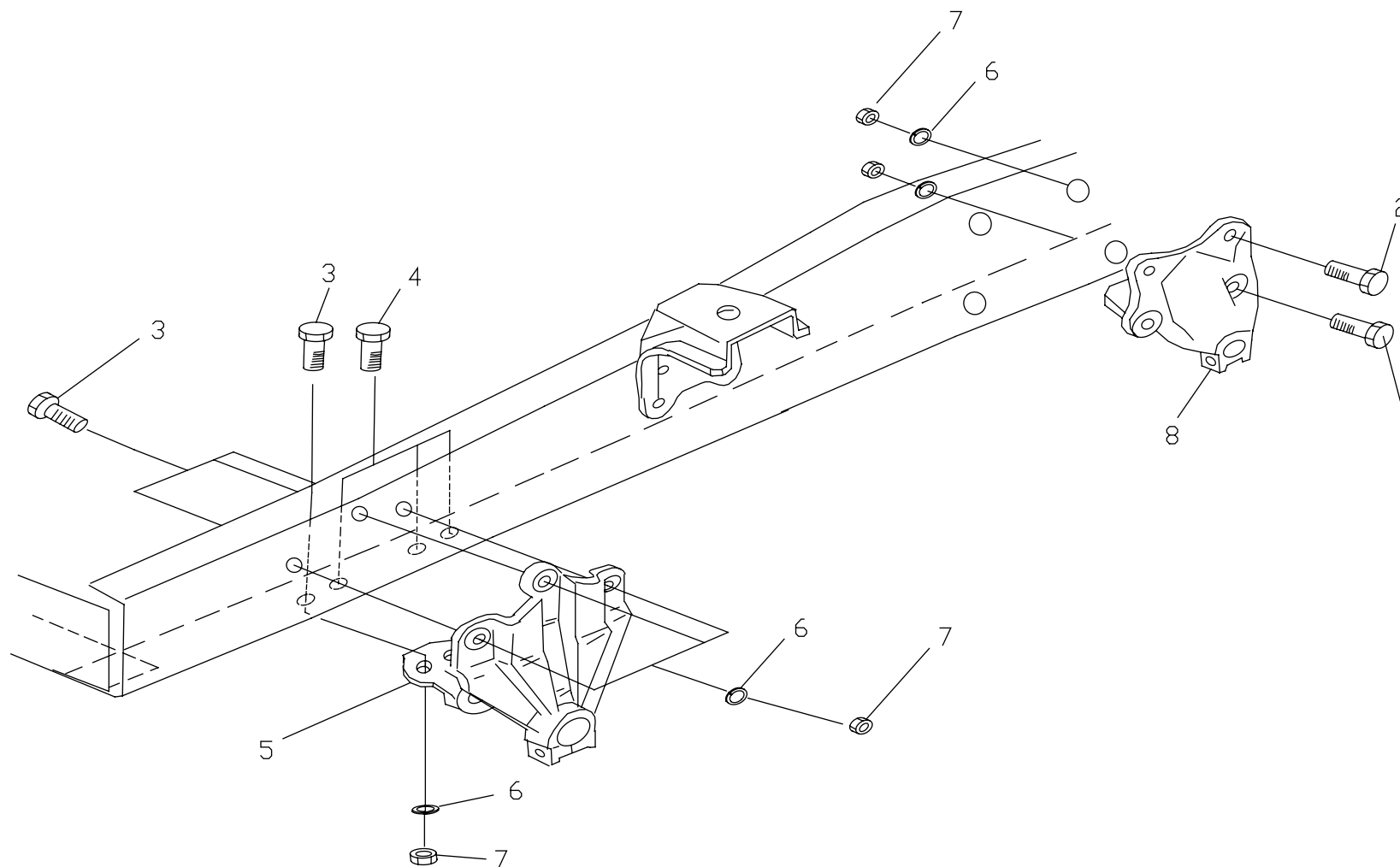
29

悬架系统

SUSPENSION SYSTEM

前板簧吊耳座装置图 I / FRONT LEAF SPRING SHACKLE SEAT I

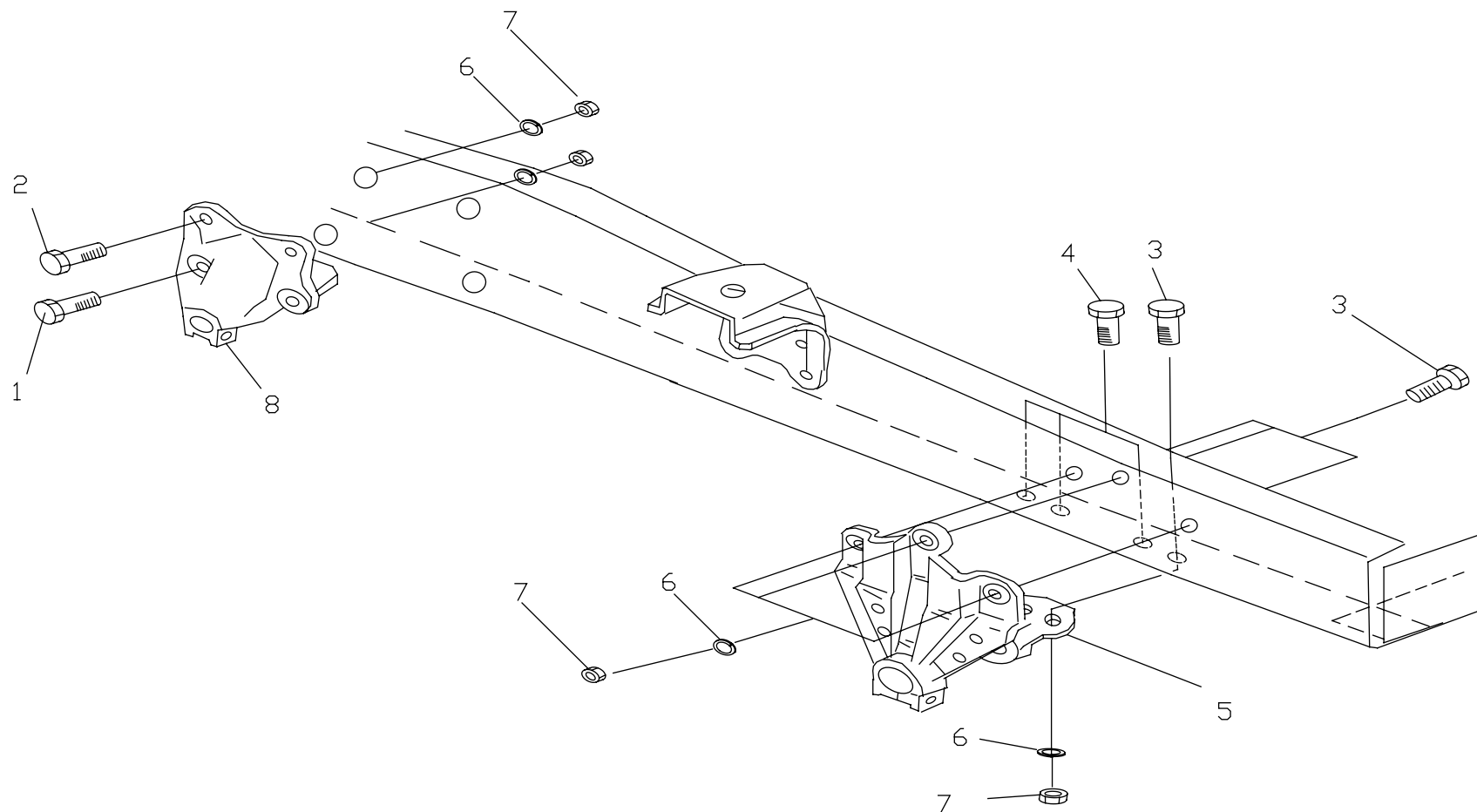
29-A



序号 No.	件号 Part No.	数量 Quantity	名称 Name	规格 Specification	适用产品 Products Applied	备注 Remark
1	29AD-01217	2	六角头螺栓 Hexagon Head Bolt			
2	29AD-01217	2	六角头螺栓 Hexagon Head Bolt			
3	29AD-01114	4	六角头螺栓 Hexagon Head Bolt			
4	29AD-01113	3	六角头螺栓 Hexagon Head Bolt			
5	29AD-01011	1	前板簧左前吊耳座 Front Leaf Spring Front Shackle Seat LH			
	29AKD-01011	1	前板簧左前吊耳座 Front Leaf Spring Front Shackle Seat LH		右驾车型 RHD	
6	Q40514	11	弹簧垫圈 Spring Washer			
7	Q341B14T13F3	11	六角螺母 Hexagon Nut			
8	29AD-01031	1	前板簧左后吊耳座 Front Leaf Spring Rear Shackle Seat LH			
	29AKD-01031	1	前板簧左后吊耳座 Front Leaf Spring Rear Shackle Seat LH		右驾车型 RHD	

前板簧吊耳座装置图 II / FRONT LEAF SPRING SHACKLE SEAT II

29-B



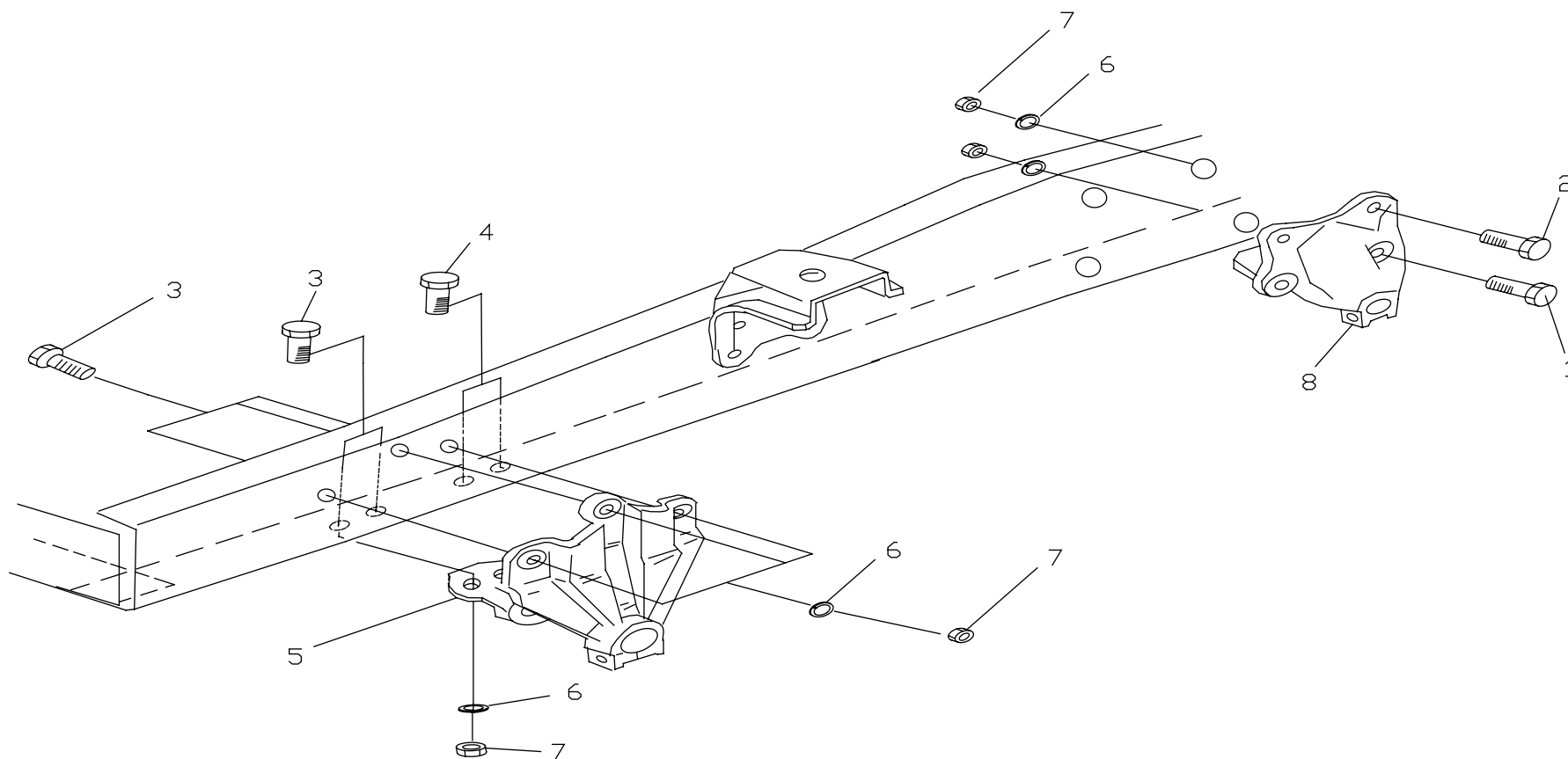
悬架系统 / SUSPENSION SYSTEM

29-4

序号 No.	件号 Part No.	数量 Quantity	名称 Name	规格 Specification	适用产品 Products Applied	备注 Remark
1	29AD-01217	2	六角头螺栓 Hexagon Head Bolt			
2	29AD-01217	2	六角头螺栓 Hexagon Head Bolt			
3	29AD-01114	4	六角头螺栓 Hexagon Head Bolt			
4	29AD-01113	3	六角头螺栓 Hexagon Head Bolt			
5	29AD-01012	1	前板簧右前吊耳座 Front Leaf Spring Front Shackle Seat RH			
	29AKD-01012	1	前板簧右前吊耳座 Front Leaf Spring Front Shackle Seat RH		右驾车型 RHD	
6	Q40514	11	弹簧垫圈 Spring Washer			
7	Q341B14T13F3	11	六角螺母 Hexagon Nut			
8	29AD-01032	1	前板簧右后吊耳座 Front Leaf Spring Rear Shackle Seat RH			
	29AKD-01032	1	前板簧右后吊耳座 Front Leaf Spring Rear Shackle Seat RH		右驾车型 RHD	

前板簧吊耳座装置图III / FRONT LEAF SPRING SHACKLE SEAT III

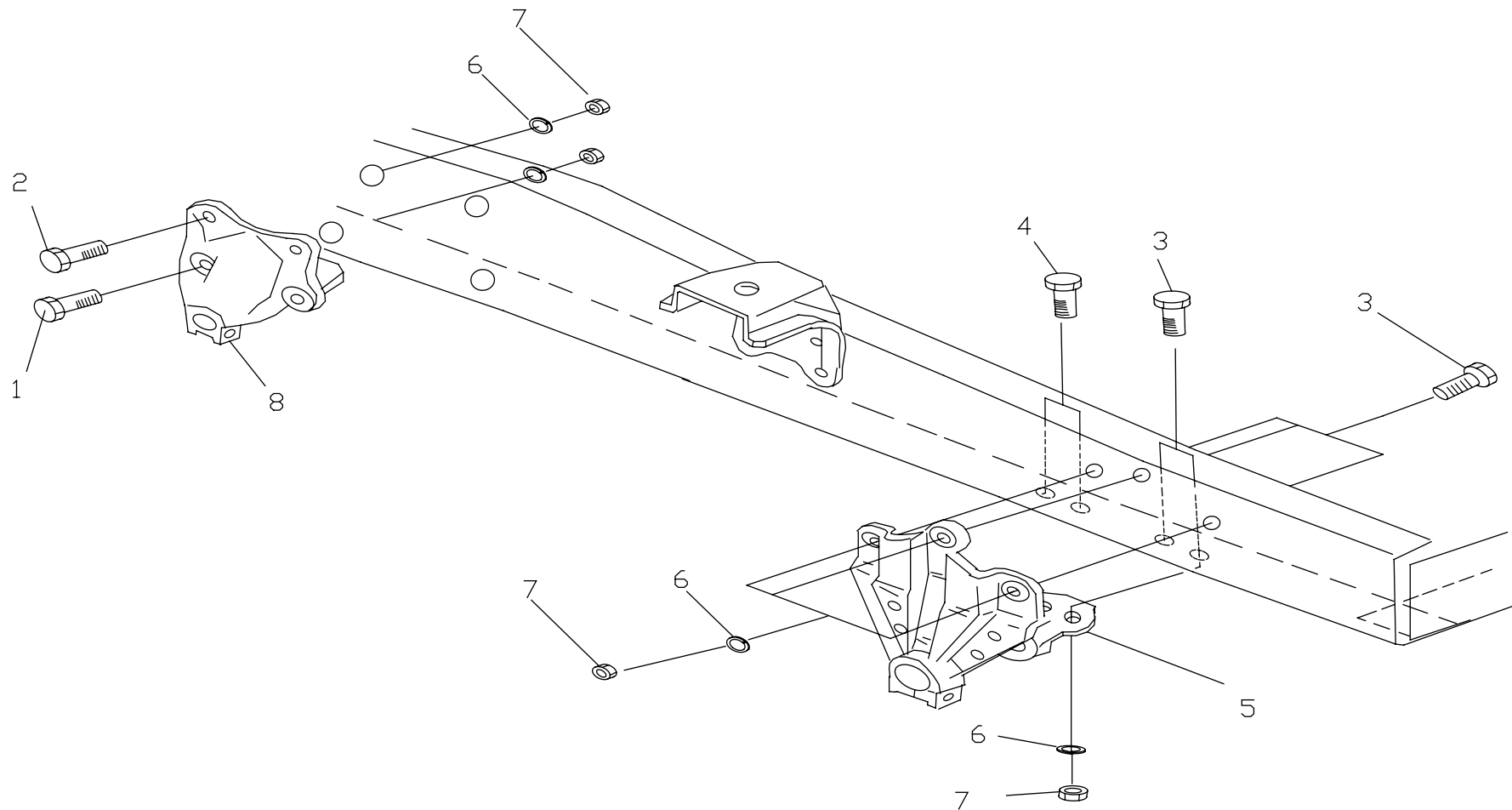
29-C



序号 No.	件号 Part No.	数量 Quantity	名称 Name	规格 Specification	适用产品 Products Applied	备注 Remark
1	29A2D-01117	2	六角头螺栓 Hexagon Head Bolt			
2	29AD-01217	2	六角头螺栓 Hexagon Head Bolt			
3	29AD-01114	5	六角头螺栓 Hexagon Head Bolt			
4	29AD-01113	2	六角头螺栓 Hexagon Head Bolt			
5	29AD-01011	1	前板簧左前吊耳座 Front Leaf Spring Front Shackle Seat LH			
	29AKD-01011	1	前板簧左前吊耳座 Front Leaf Spring Front Shackle Seat LH		右驾车型 RHD	
6	Q40514	11	弹簧垫圈 Spring Washer			
7	Q341B14T13F3	11	六角螺母 Hexagon Nut			
8	29AD-01031	1	前板簧左后吊耳座 Front Leaf Spring Rear Shackle Seat LH			
	29AKD-01031	1	前板簧左后吊耳座 Front Leaf Spring Rear Shackle Seat LH		右驾车型 RHD	

前板簧吊耳座装置图IV / FRONT LEAF SPRING SHACKLE SEAT IV

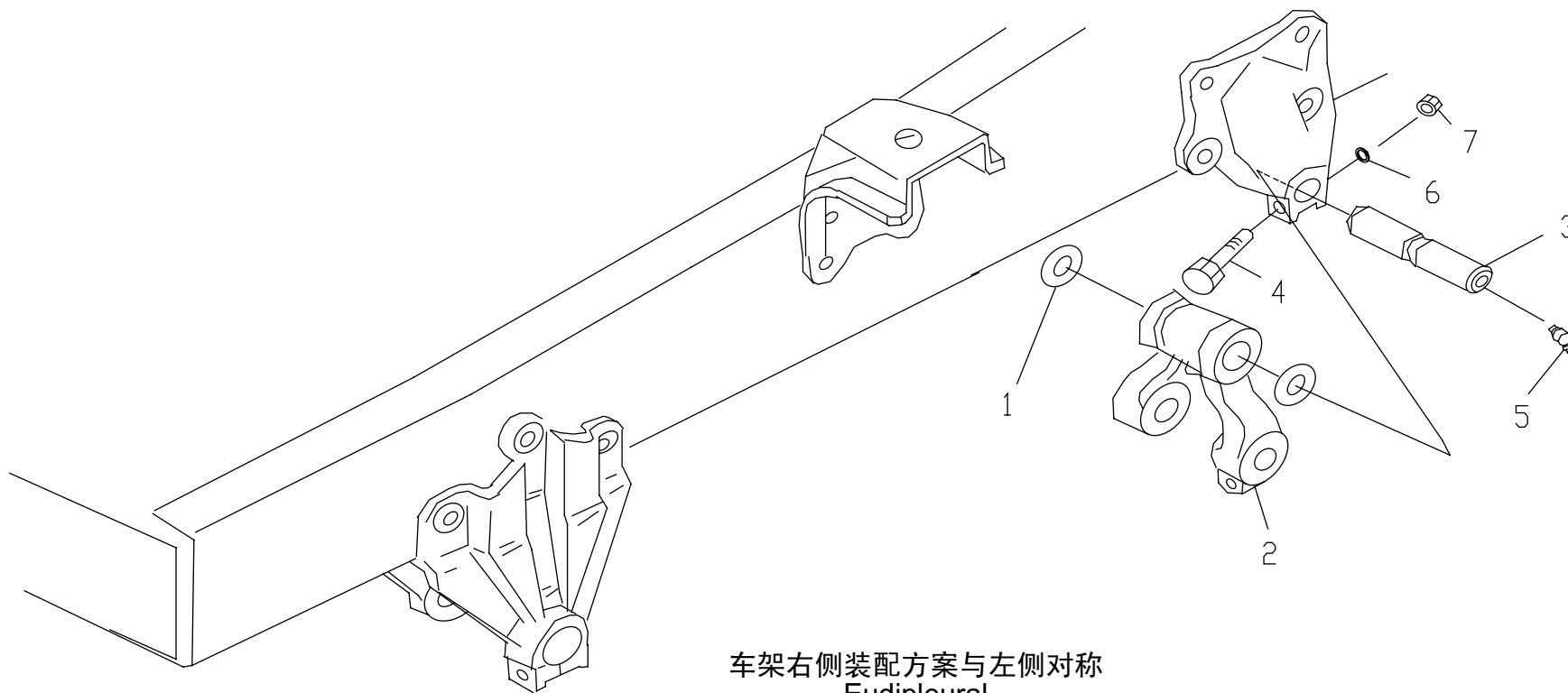
29-D



序号 No.	件号 Part No.	数量 Quantity	名称 Name	规格 Specification	适用产品 Products Applied	备注 Remark
1	29A2D-01117	2	六角头螺栓 Hexagon Head Bolt			
2	29AD-01217	2	六角头螺栓 Hexagon Head Bolt			
3	29AD-01114	5	六角头螺栓 Hexagon Head Bolt			
4	29AD-01113	2	六角头螺栓 Hexagon Head Bolt			
5	29AD-01012	1	前板簧右前吊耳座 Front Leaf Spring Front Shackle Seat RH			
	29AKD-01012	1	前簧板右前吊耳座 Front Leaf Spring Front Shackle Seat RH		右驾车型 RHD	
6	Q40514	11	弹簧垫圈 Spring Washer			
7	Q341B14T13F3	11	六角螺母 Hexagon Nut			
8	29AD-01032	1	前板簧右后吊耳座 Front Leaf Spring Rear Shackle Seat RH			
	29AKD-01032		前板簧右后吊耳座 Front Leaf Spring Rear Shackle Seat RH		右驾车型 RHD	

前板簧吊耳装置图 / FRONT LEAF SPRING SHACKLE

29-E

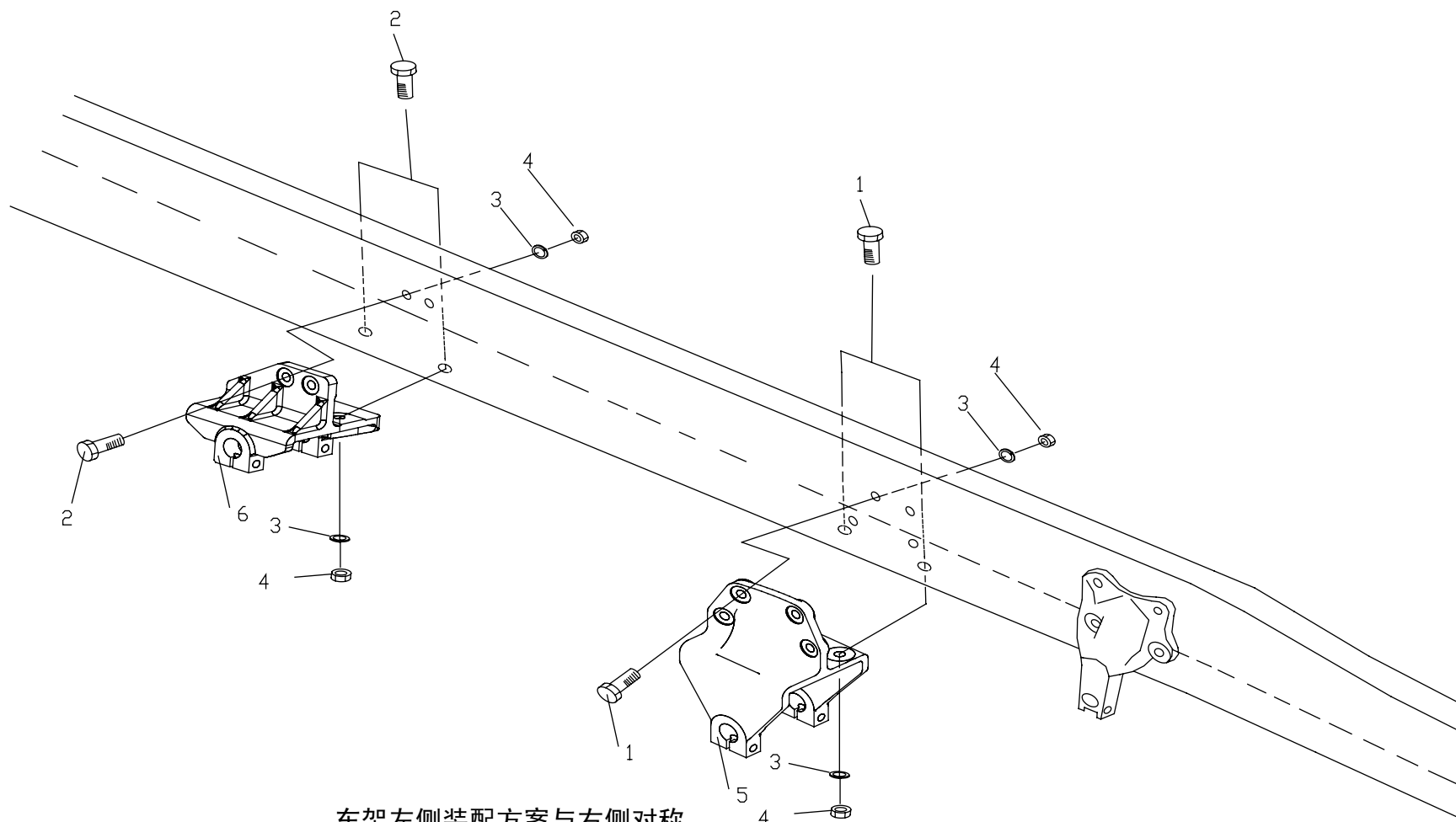


车架右侧装配方案与左侧对称
Eudipleural

序号 No.	件号 Part No.	数量 Quantity	名称 Name	规格 Specification	适用产品 Products Applied	备注 Remark
1	29AD-02037	4	垫圈 Washer			
2	29AD-01020	2	吊耳 Shackle			
3	29AD-01021	2	钢板弹簧销 Leaf Spring Pin			
4	29AD-01061	2	六角螺栓 Hexagon Bolt			
5	Q701B45	2	弯颈式滑脂嘴 Elbow Grease Nipple			
6	Q40512	2	弹簧垫圈 Spring Washer			
7	Q341C12T13F3	2	六角螺母 Hexagon Nut			

四桥车前板簧支架装置图 I / 4-AXLE VEHICLE FRONT LEAF SPRING BRACKET I

29-F



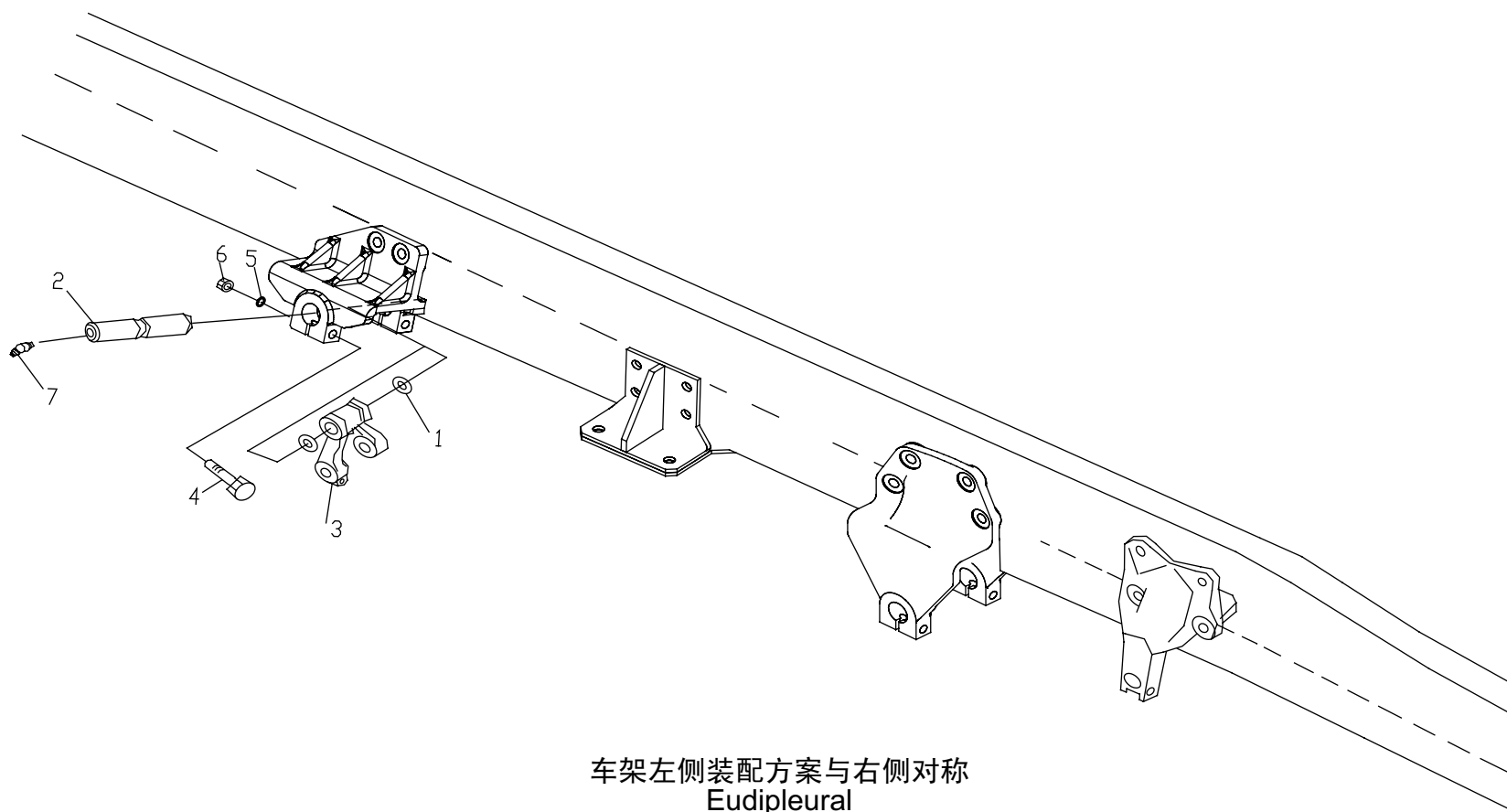
车架左侧装配方案与右侧对称
Eudipleural

序号 No.	件号 Part No.	数量 Quantity	名称 Name	规格 Specification	适用产品 Products Applied	备注 Remark
1	29AD-01113	12	六角头螺栓 Hexagon Head Bolt			
2	29AD-01114	8	六角头螺栓 Hexagon Head Bolt			
3	Q40514	20	弹簧垫圈 Spring Washer			
4	Q341B14T13F3	20	I型六角螺母 Hexagon Full Nut			
5	29ADP5-01042	1	前板簧右前支架 Front Leaf Spring Front Bracket RH			
	29ADP5-01041	1	前板簧左前支架 Front Leaf Spring Front Bracket LH			车架左侧 Left Side Of Frame
	29AKDP5-01042	1	前板簧右前支架 Front Leaf Spring Front Bracket RH		右驾车型 RHD	
	29AKDP5-01042	1	前板簧左前支架 Front Leaf Spring Front Bracket LH		右驾车型 RHD	
6	29AD-01052	1	前板簧右后支架 Front Leaf Spring Rear Bracket RH			
	29ADP5-01051	1	前板簧左后支架 Front Leaf Spring Rear Bracket LH			车架左侧 Left Side Of Frame

四桥车前板簧支架装置图 II

4-AXLE VEHICLE FRONT LEAF SPRING BRACKET II

29-G

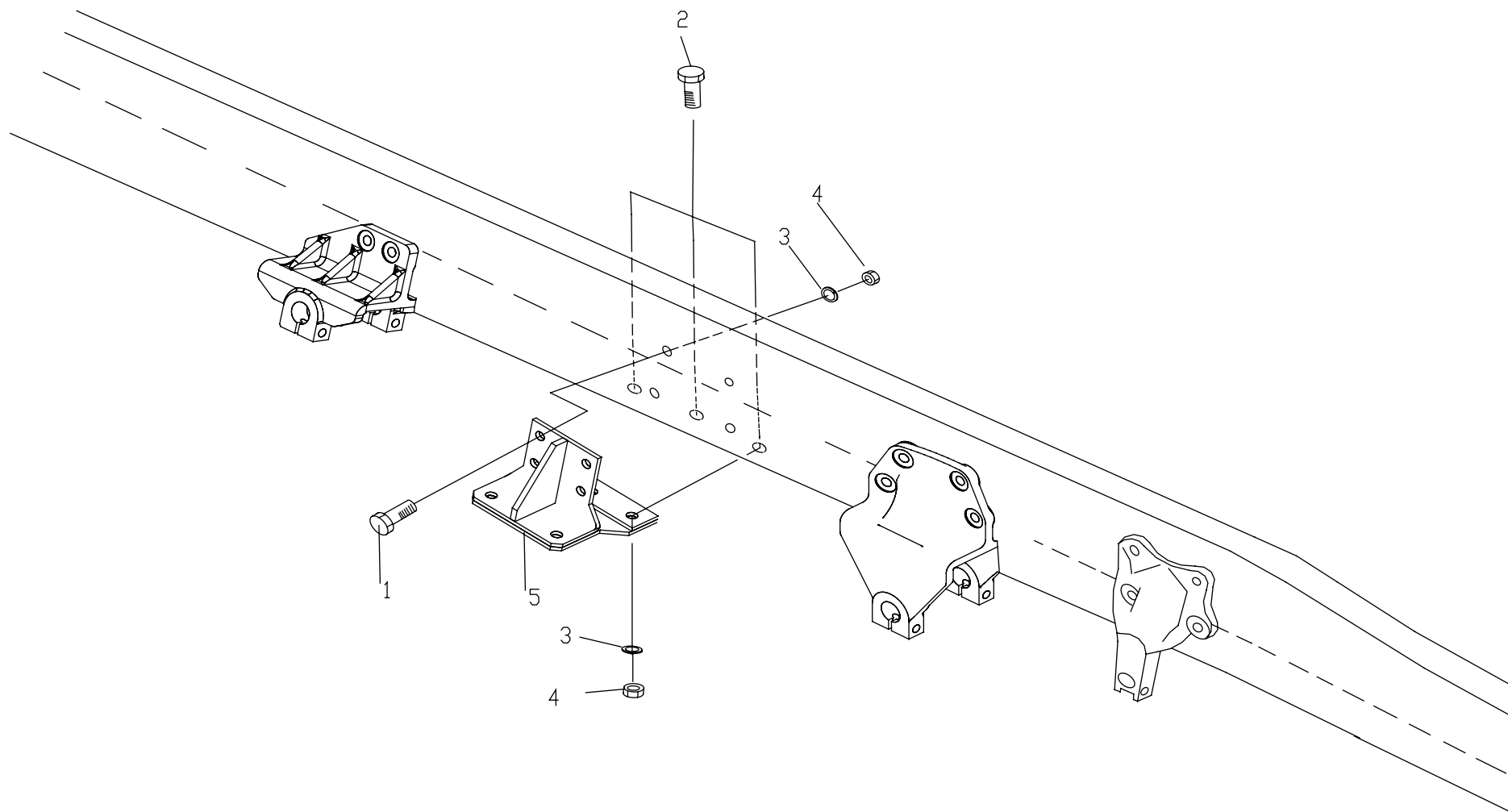


车架左侧装配方案与右侧对称
Eudipleural

序号 No.	件号 Part No.	数量 Quantity	名称 Name	规格 Specification	适用产品 Products Applied	备注 Remark
1	29AD-02037	4	垫圈 Washer			
2	29AD-01021	2	钢板弹簧销 Leaf Spring Pin			
3	29AD-01020	2	吊耳 Shackle			
4	29ADQ1-01051	2	六角螺栓 Hexagon Bolt			
5	Q40512	2	弹簧垫圈 Spring Washer			
6	Q341C12T13F3	2	六角螺母 Hexagon Nut			
7	Q701B45	2	弯颈式滑脂嘴 Elbow Grease Nipple			

四桥车限位块挡块装置图 I / 4-AXLE VEHICLE LIMITING STOPPER I

29-H



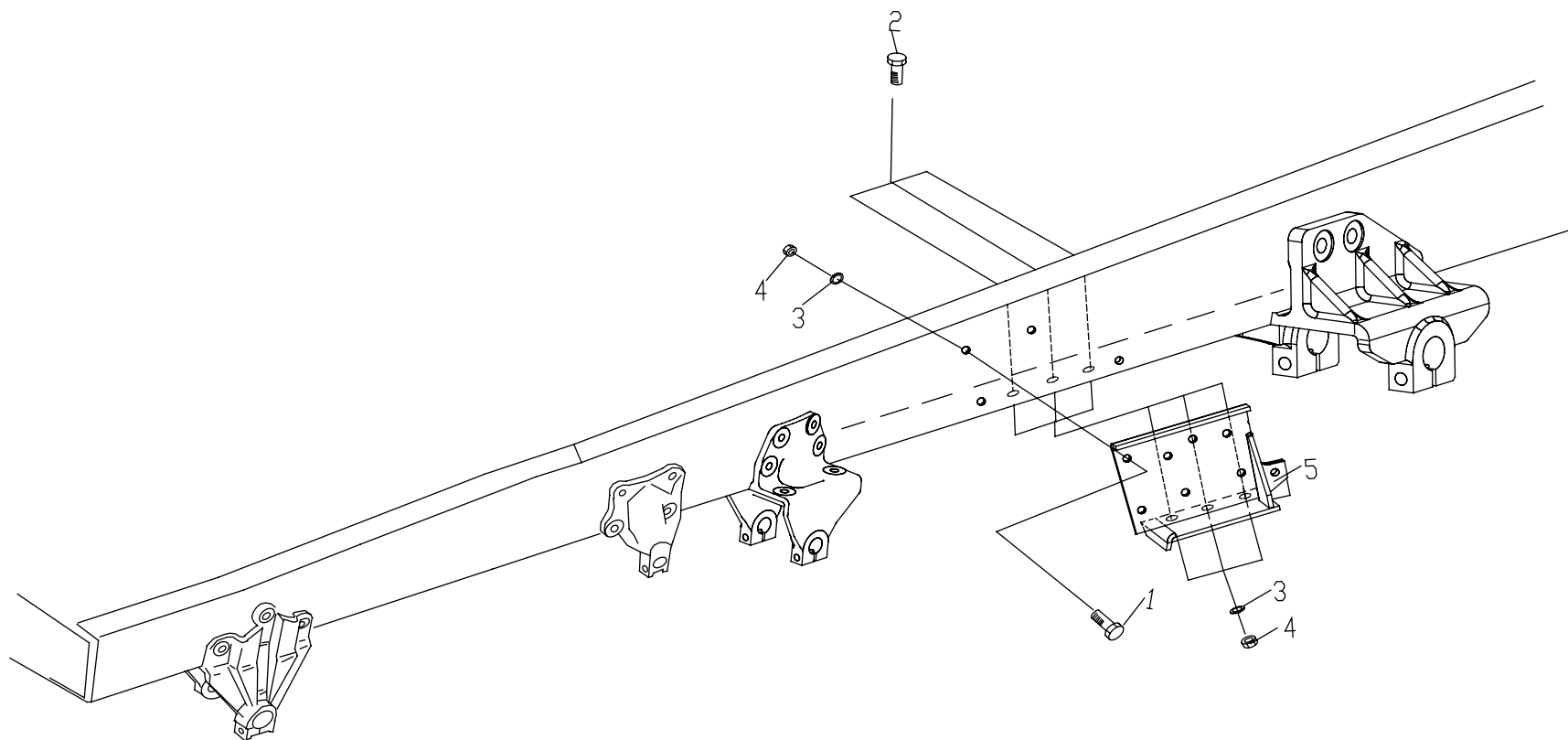
悬架系统 / SUSPENSION SYSTEM

29-16

序号 No.	件号 Part No.	数量 Quantity	名称 Name	规格 Specification	适用产品 Products Applied	备注 Remark
1	Q151B1440	4	六角头螺栓 Hexagon Head Bolt			
2	Q151B1445	3	六角头螺栓 Hexagon Head Bolt			
3	Q40514	7	弹簧垫圈 Spring Washer			
4	Q341B14T13F3	7	六角螺母 Hexagon Nut			
5	29ADP5-05117	1	限位块挡块 Limiting Stopper			
	29AKDYP5-05117	1	限位块挡块 Limiting Stopper		右驾车型 RHD	

四桥车限位块挡块装置图 II / 4-AXLE VEHICLE LIMITING STOPPER II

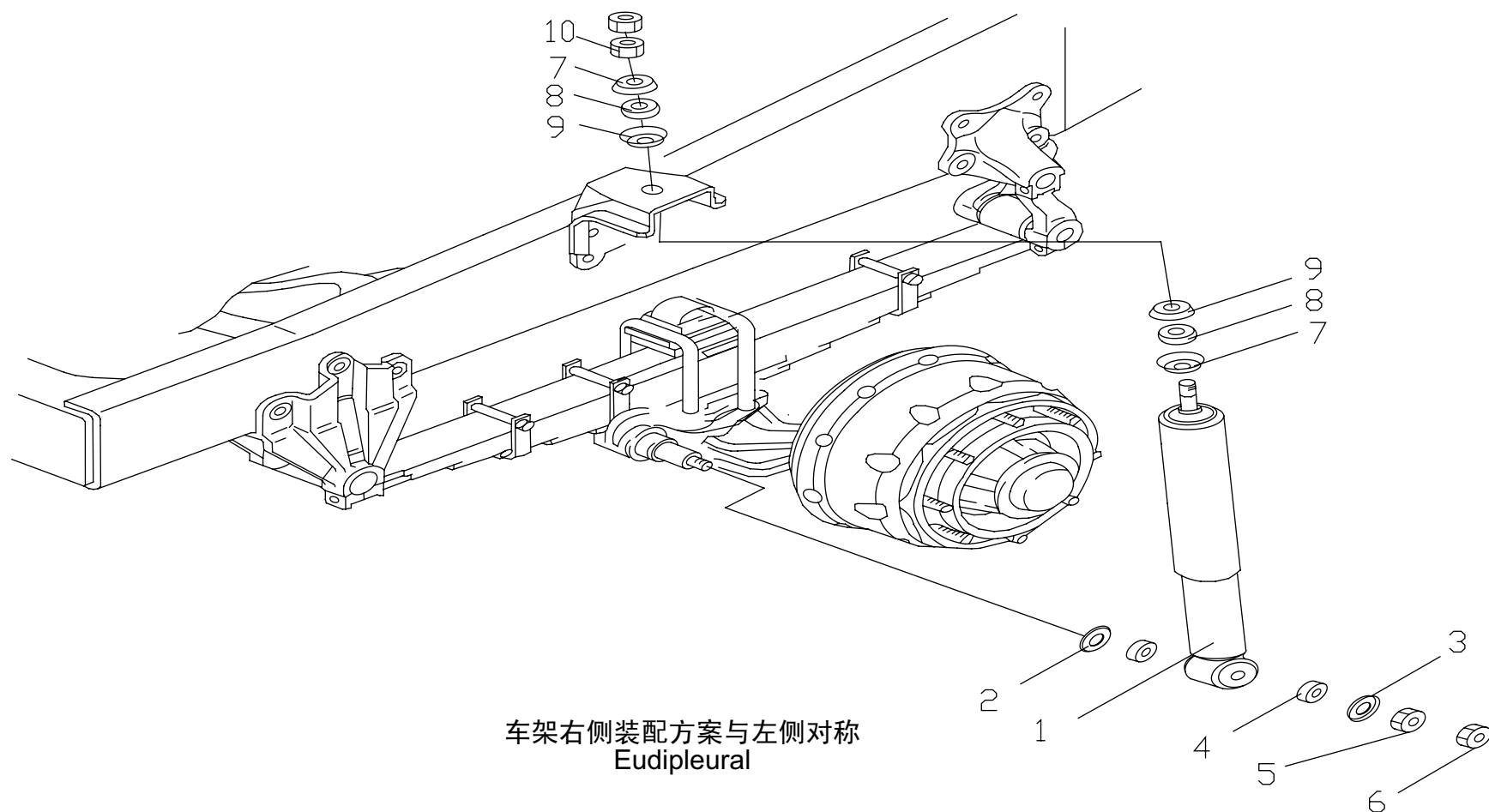
29-1



序号 No.	件号 Part No.	数量 Quantity	名称 Name	规格 Specification	适用产品 Products Applied	备注 Remark
1	Q151B1440	4	六角头螺栓 Hexagon Head Bolt			
2	Q151B1445	3	六角头螺栓 Hexagon Head Bolt			
3	Q40514	7	弹簧垫圈 Spring Washer			
4	Q341B14T13F3	7	六角螺母 Hexagon Nut			
5	29ADP5-05118	1	限位块挡块 Limiting Stopper			
	29AKDYP5-05118	1	限位块挡块 Limiting Stopper		右驾车型 RHD	

减震器装置图 / SHOCK ABSORBER

29-J

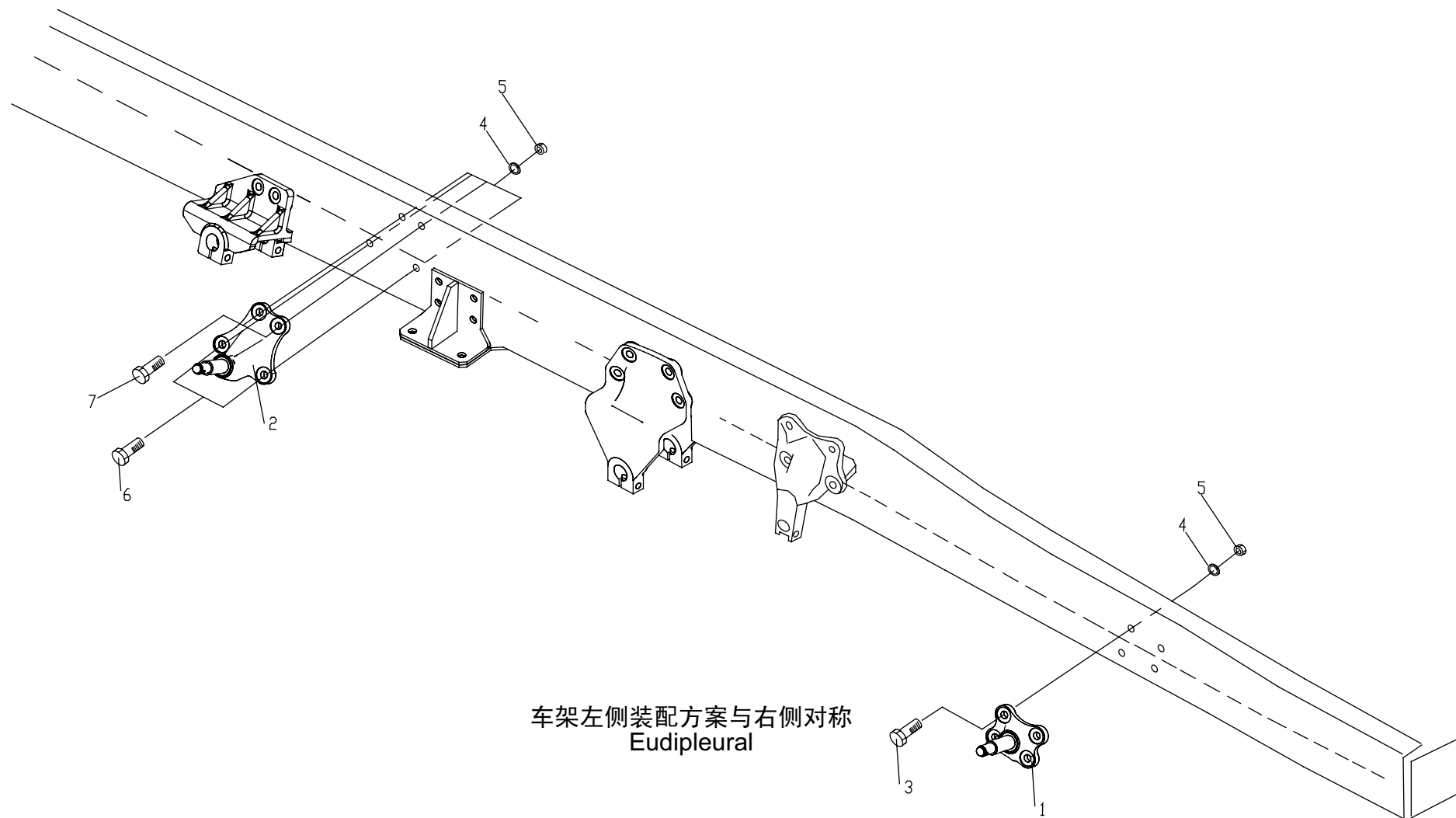


车架右侧装配方案与左侧对称
Eudipleural

序号 No.	件号 Part No.	数量 Quantity	名称 Name	规格 Specification	适用产品 Products Applied	备注 Remark
1	29AD-05010	2	减振器总成 Shock Absorber Assembly			
2	29AD-05021	2	内垫圈 Inner Washer			
3	29AD-05027	2	外垫圈 Outer Washer			
4	29AD-05022	4	橡胶衬套 Rubber Bushing			
5	Q341B20	2	I型六角螺母 Hexagon Full Nut			
6	Q351B20	2	六角薄螺母 Hexagon Thin Nut			
7	29AD-05043	4	垫圈 Washer			
8	29AD-05042	4	橡胶圈 Rubber Ring			
9	29AD-05041	4	定心垫圈 Centering Washer			
10	Q353B16	4	六角较薄螺母 Hexagon Thinner Nut			

四桥车减震器装置图 I / 4-AXLE VEHICLE SHOCK ABSORBER I

29-K

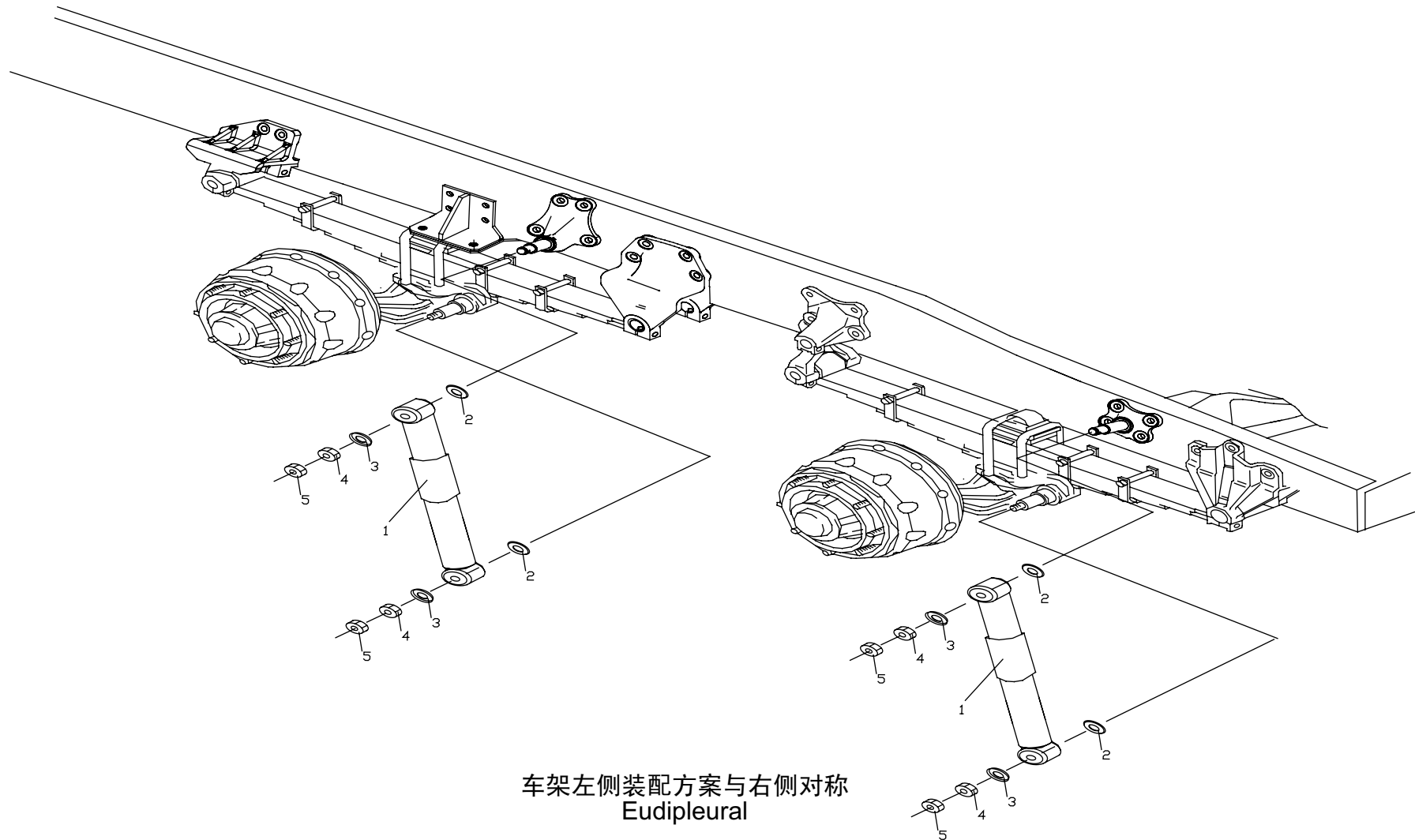


车架左侧装配方案与右侧对称
Eudipleural

序号 No.	件号 Part No.	数量 Quantity	名称 Name	规格 Specification	适用产品 Products Applied	备注 Remark
1	29ADP5-05113	2	减振器前支座 Shock Absorber Front Support			
2	29ADP5-05121	1	减振器右后支座 Shock Absorber Rear Support RH			
2	29ADP5-05122	1	减振器左后支座 Shock Absorber Rear Support LH			车架左侧 Left Side Of Frame
3	29AD-01114	8	六角螺栓 Hexagon Bolt			
4	Q40514	14	弹簧垫圈 Spring Washer			
5	Q341B14T13F3	14	六角螺母 Hexagon Nut			
6	29AD-01114	4	六角螺栓 Hexagon Bolt			
7	29A3D-01113	4	六角螺栓 Hexagon Bolt			

四桥车减震器装置图 II / 4-AXLE VEHICLE SHOCK ABSORBER II

29-L



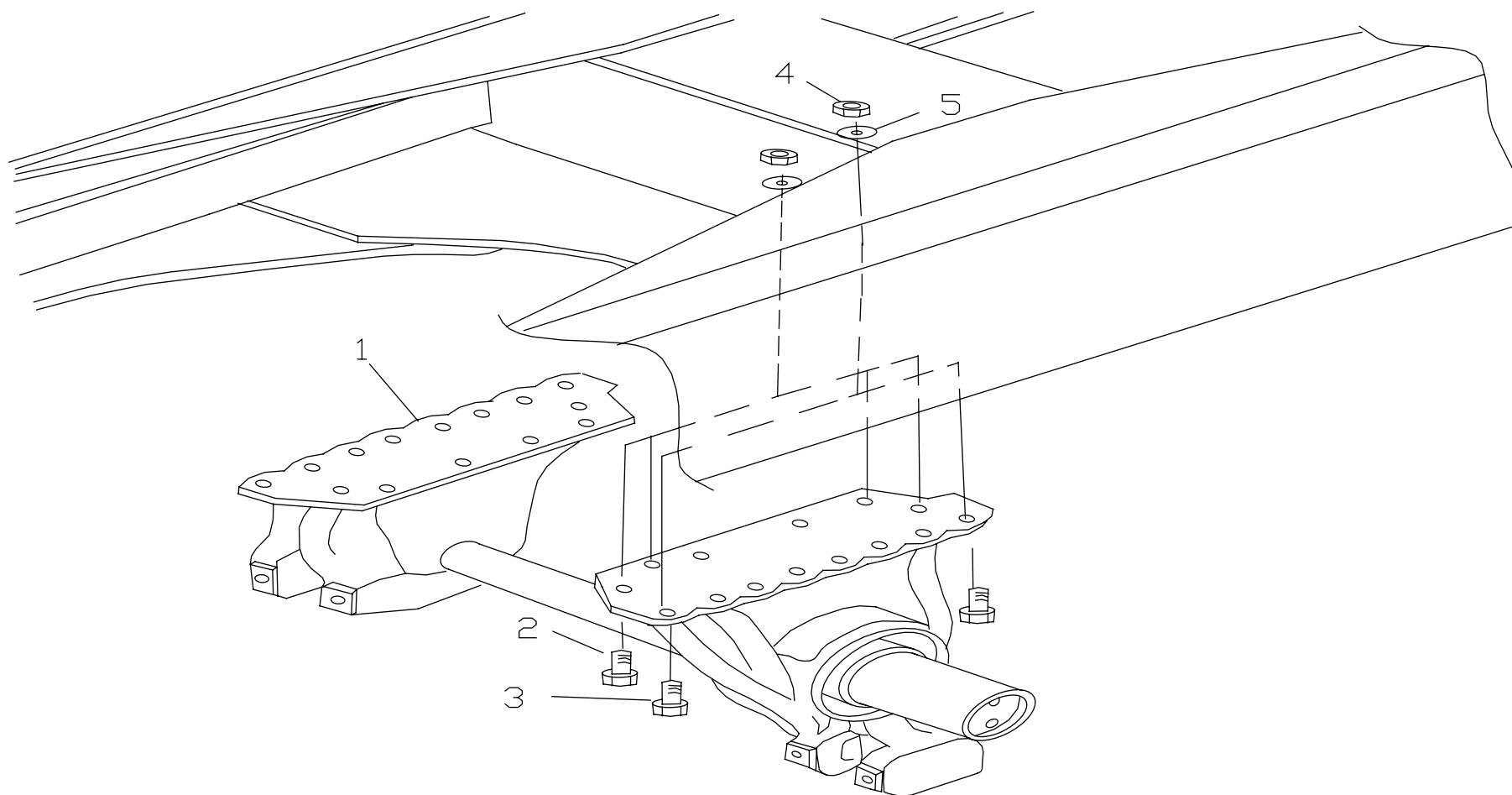
悬架系统 / SUSPENSION SYSTEM

29-24

序号 No.	件号 Part No.	数量 Quantity	名称 Name	规格 Specification	适用产品 Products Applied	备注 Remark
1	29ADP5-05010	4	减振器总成 Shock Absorber Assembly			
2	29AD-05021	8	内垫圈 Inner Washer			
3	29AD-05027	8	外垫圈 Outer Washer			
4	Q341B20	8	I型六角螺母 Hexagon Full Nut			
5	Q351B20	8	六角薄螺母 Hexagon Thin Nut			

平衡轴装置图 I / TRUNNION SHAFT I

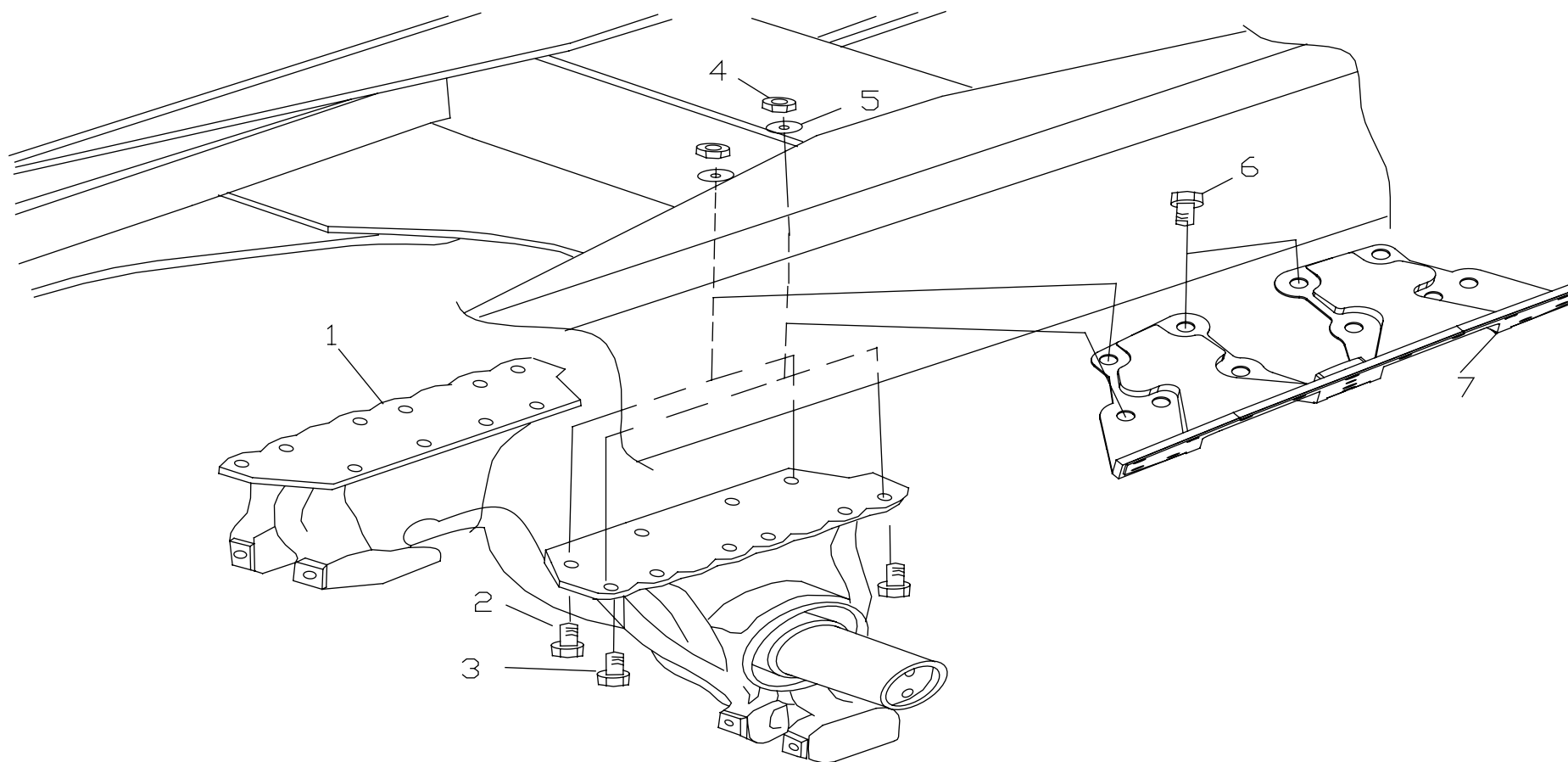
29-M



序号 No.	件号 Part No.	数量 Quantity	名称 Name	规格 Specification	适用产品 Products Applied	备注 Remark
1	2918AD-010	1	平衡轴 Trunion Shaft			五十铃结构 ISUZU Structure
2	29AD-18052	8	螺栓 Bolt			
3	29AD-18051	20	螺栓 Bolt			
4	Q341B18T13F3	28	螺母 Nut			
5	Q41918	28	锥形弹性垫圈 Conical Spring Washer			

平衡轴装置图 II / TRUNNION SHAFT II

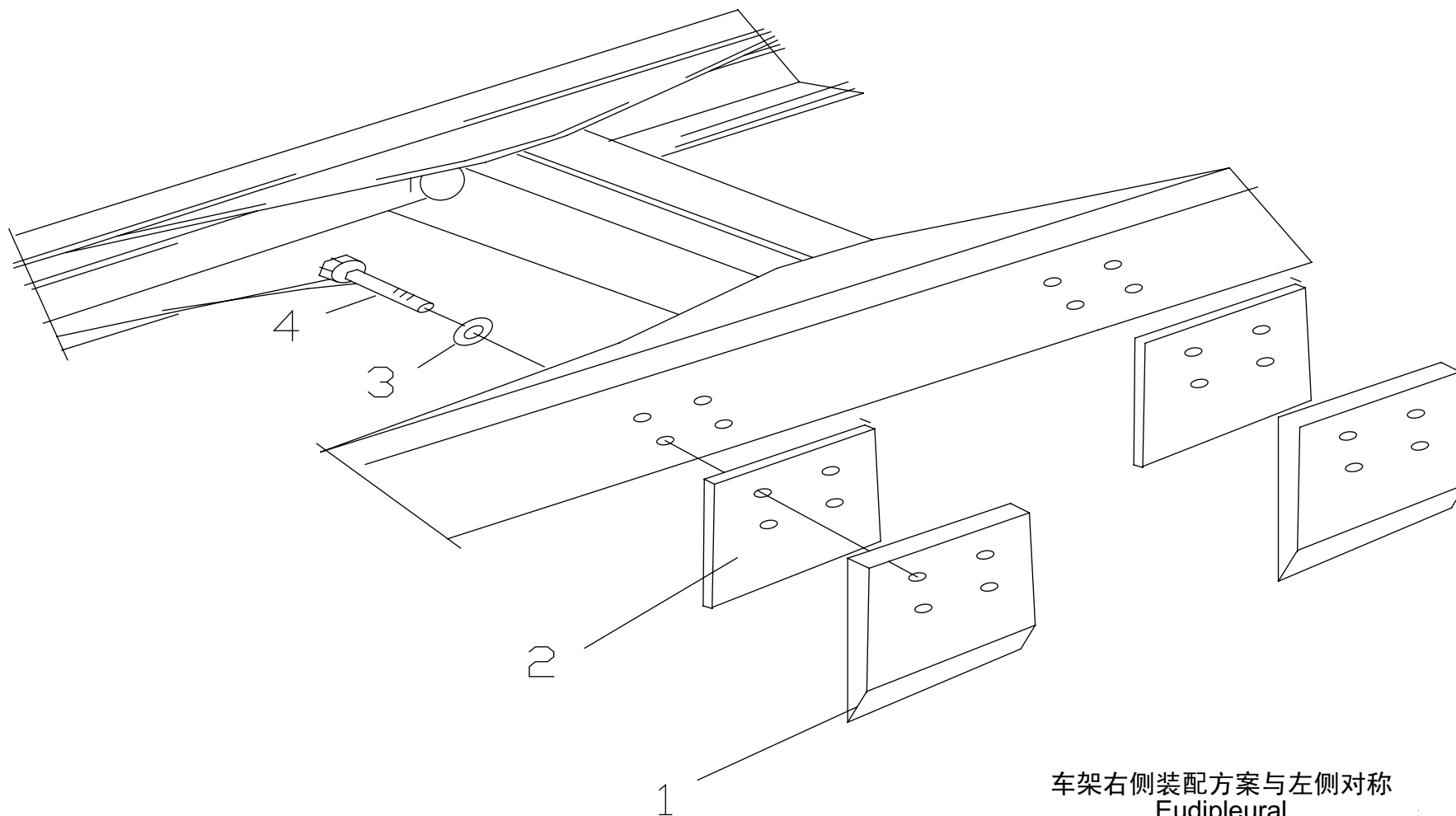
29-N



序号 No.	件号 Part No.	数量 Quantity	名称 Name	规格 Specification	适用产品 Products Applied	备注 Remark
1	2918AHD-110	1	平衡轴 Trunnion Shaft			三菱加宽结构 MITSUBISHI Widened Structure
2	29AD-18052	4	螺栓 Bolt			
3	29AD-18051	12	螺栓 Bolt			
4	Q341B18T13F3	16	螺母 Nut			
5	Q41918	16	锥形弹性垫圈 Conical Spring Washer			
6	Q150B1870	4	螺栓 Bolt			
7	29AD-18511	2	平衡轴支撑块 Trunnion Shaft Anchor			

板簧挡块装置图 I / LEAF SPRING STOPPER I

29-0

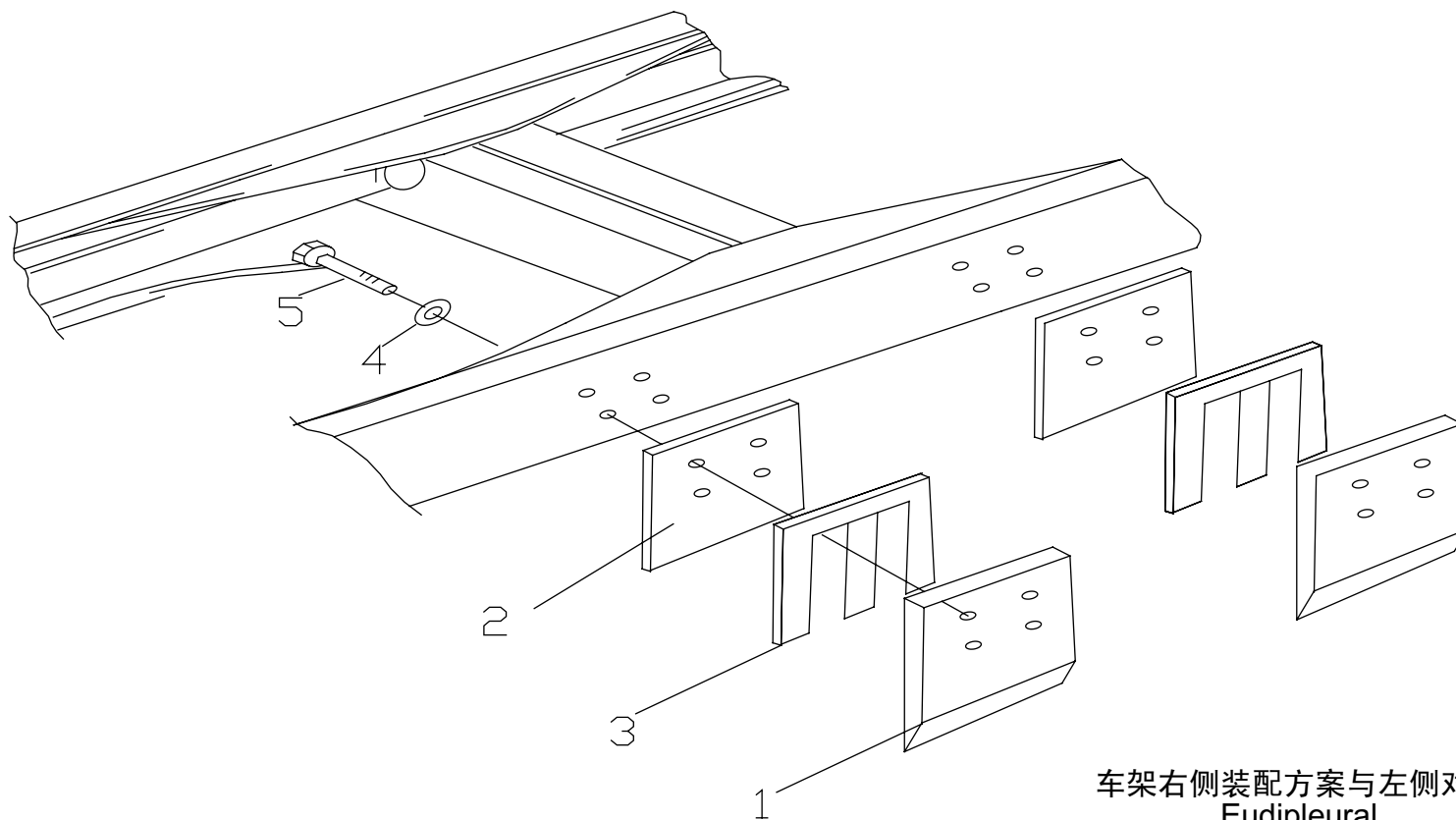


车架右侧装配方案与左侧对称
Eudipleural

序号 No.	件号 Part No.	数量 Quantity	名称 Name	规格 Specification	适用产品 Products Applied	备注 Remark
1	29AD-11021	4	挡块 Stopper		板簧中心距 1002mm 车型 Model W/Leaf Spring Centre Distance 1002mm	
2	29AD-11024	按需 On-Demand	调整板 2mm Adjusting Plate 2mm			
	29AD-11023	按需 On-Demand	调整板 3mm Adjusting Plate 3mm			
3	Q40314	16	弹簧垫圈 Spring Washer			
4	Q151B1450	16	六角头螺栓 Hexagon Head Bolt			

板簧挡块装置图 II / LEAF SPRING STOPPER II

29-P

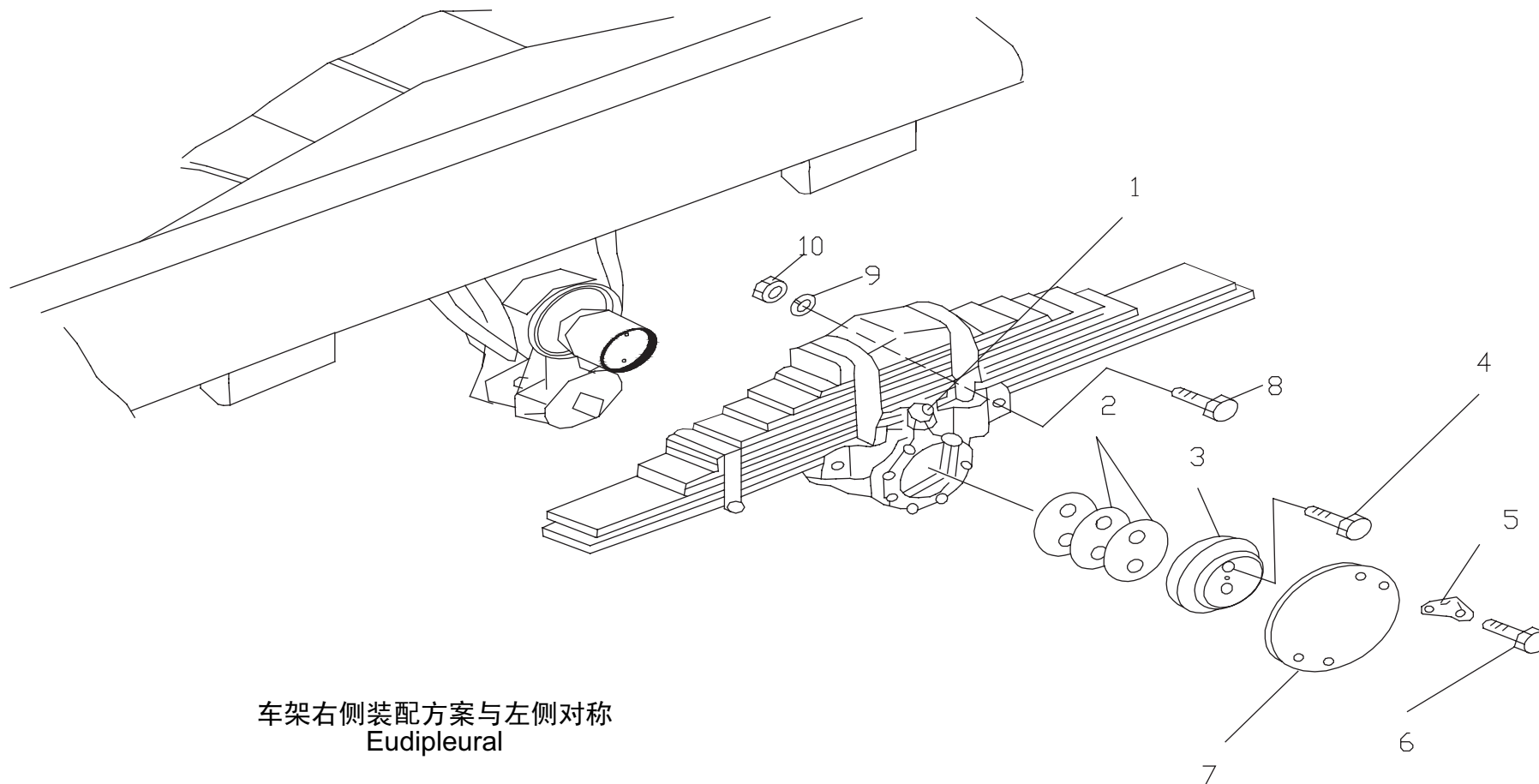


车架右侧装配方案与左侧对称
Eudipleural

序号 No.	件号 Part No.	数量 Quantity	名称 Name	规格 Specification	适用产品 Products Applied	备注 Remark
1	29AHD-11031	4	挡板 Baffle		板簧中心距 1040mm 车型 Model W/Leaf Spring Centre Distance 1040mm	
2	29AD-11024	按需 On-Demand	调整板 2mm Adjusting Plate 2mm			
	29AD-11023	按需 On-Demand	调整板 3mm Adjusting Plate 3mm			
3	29AHD-11032	4	调整垫片 Adjusting Shim		板簧中心距 1040mm 车型 Model W/Leaf Spring Centre Distance 1040mm	
4	Q40314	16	弹簧垫圈 Spring Washer			
5	Q151B1465	16	六角头螺栓 Hexagon Head Bolt			

后板簧装置图 I / REAR LEAF SPRING I

29-Q

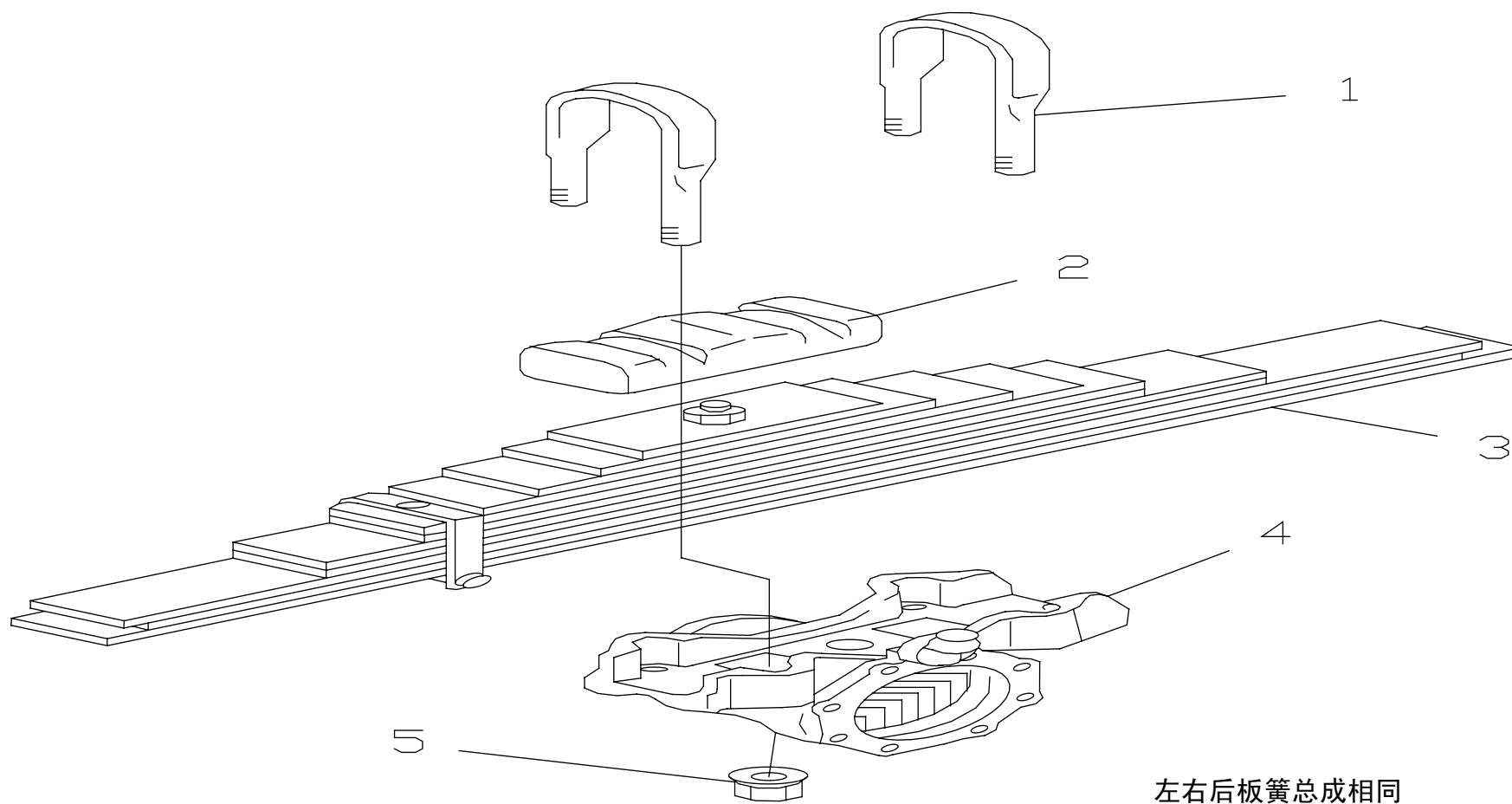


车架右侧装配方案与左侧对称
Eudipleural

序号 No.	件号 Part No.	数量 Quantity	名称 Name	规格 Specification	适用产品 Products Applied	备注 Remark
1	Q700B01	2	直通式滑脂嘴 Straight Grease Nipple		中、后桥轴距 1310mm 车型 Model W/Model W/Wheel Base Between Intermediate Axle And Rear Axle 1310mm	五十铃结构平衡轴 ISUZU Structure Trunnion Shaft
2	29AD-18138(0.5mm)	按需 On-Demand	垫片 Shim		中、后桥轴距 1310mm 车型 Model W/Model W/Wheel Base Between Intermediate Axle And Rear Axle 1310mm	五十铃结构平衡轴 ISUZU Structure Trunnion Shaft
	29AD-18137 (1mm)	按需 On-Demand	垫片 Shim		中、后桥轴距 1310mm 车型 Model W/Model W/Wheel Base Between Intermediate Axle And Rear Axle 1310mm	五十铃结构平衡轴 ISUZU Structure Trunnion Shaft
3	29AD-18143	2	外止推板 Outer Thrust Plate		中、后桥轴距 1310mm 车型 Model W/Model W/Wheel Base Between Intermediate Axle And Rear Axle 1310mm	五十铃结构平衡轴 ISUZU Structure Trunnion Shaft
4	29AD-18147	4	螺栓 Bolt		中、后桥轴距 1310mm 车型 Model W/Model W/Wheel Base Between Intermediate Axle And Rear Axle 1310mm	五十铃结构平衡轴 ISUZU Structure Trunnion Shaft
5	29AD-18144	4	压板 Press Plate		中、后桥轴距 1310mm 车型 Model W/Model W/Wheel Base Between Intermediate Axle And Rear Axle 1310mm	五十铃结构平衡轴 ISUZU Structure Trunnion Shaft
6	Q150B0820	8	螺栓 Bolt		中、后桥轴距 1310mm 车型 Model W/Model W/Wheel Base Between Intermediate Axle And Rear Axle 1310mm	五十铃结构平衡轴 ISUZU Structure Trunnion Shaft
7	29AD-18020	2	轴承盖 Bearing Cover		中、后桥轴距 1310mm 车型 Model W/Model W/Wheel Base Between Intermediate Axle And Rear Axle 1310mm	五十铃结构平衡轴 ISUZU Structure Trunnion Shaft
8	29AD-18083	4	六角螺栓 Hexagon Bolt		中、后桥轴距 1310mm 车型 Model W/Model W/Wheel Base Between Intermediate Axle And Rear Axle 1310mm	五十铃结构平衡轴 ISUZU Structure Trunnion Shaft
9	Q40522	4	弹簧垫圈 Spring Washer		中、后桥轴距 1310mm 车型 Model W/Model W/Wheel Base Between Intermediate Axle And Rear Axle 1310mm	五十铃结构平衡轴 ISUZU Structure Trunnion Shaft
10	Q341B22	4	I 型六角螺母 Hexagon Full Nut		中、后桥轴距 1310mm 车型 Model W/Model W/Wheel Base Between Intermediate Axle And Rear Axle 1310mm	五十铃结构平衡轴 ISUZU Structure Trunnion Shaft

后板簧装置图 II / REAR LEAF SPRING II

29-R

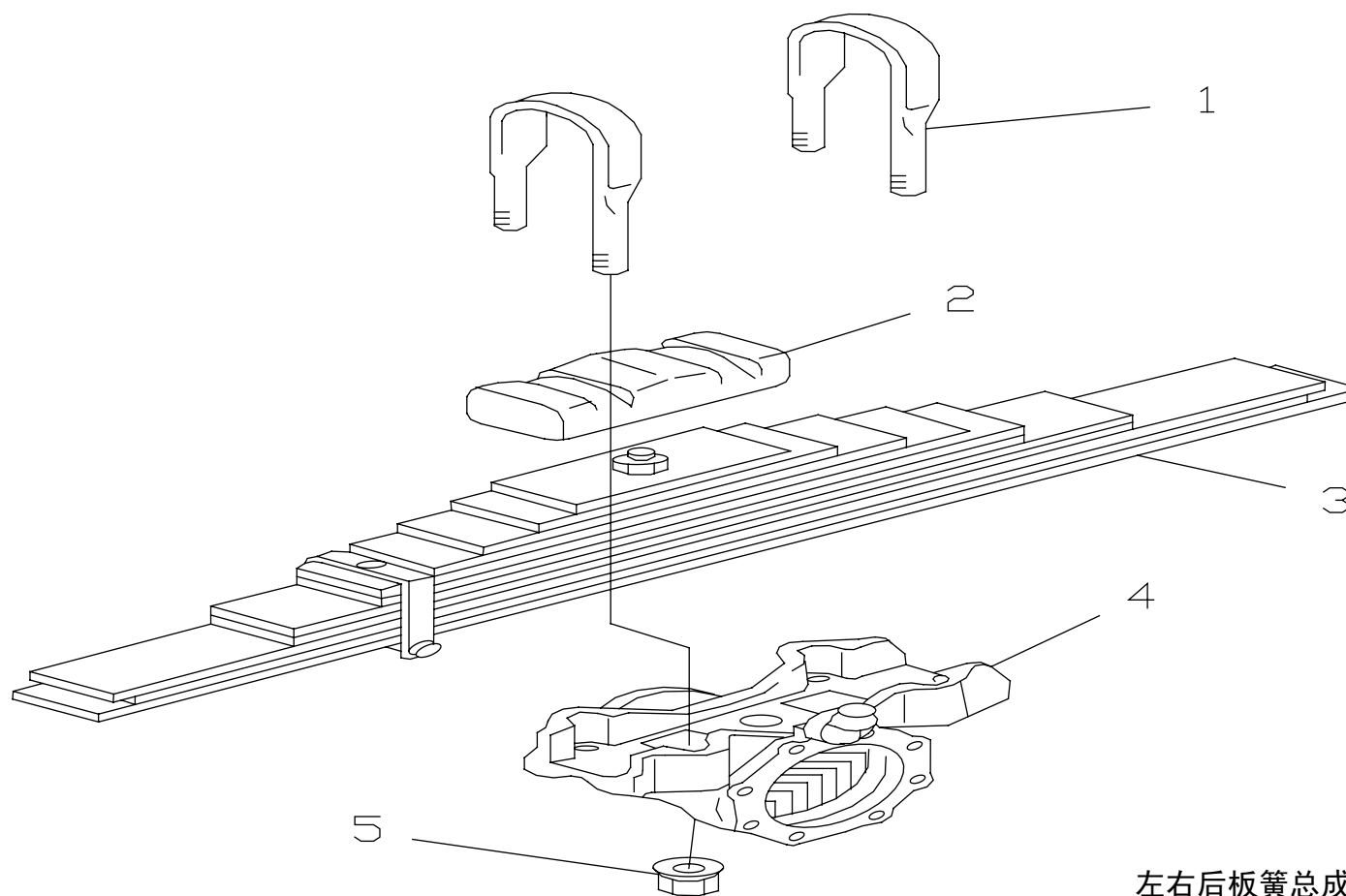


左右后板簧总成相同
Left And Right Rear Leaf Spring Assembly Are The Same

序号 No.	件号 Part No.	数量 Quantity	名称 Name	规格 Specification	适用产品 Products Applied	备注 Remark
1	29AD-12014	4	U型螺栓 U-Bolt		中、后桥轴距 1310mm 车型 Model W/Model W/Wheel Base Between Intermediate Axle And Rear Axle 1310mm	五十铃结构平衡轴 ISUZU Structure Trunnion Shaft
2	29AD-12111	2	上盖板 Top Panel		中、后桥轴距 1310mm 车型 Model W/Model W/Wheel Base Between Intermediate Axle And Rear Axle 1310mm	五十铃结构平衡轴 ISUZU Structure Trunnion Shaft
3	29AD-12010	2	后板簧总成 Rear Leaf Spring Assembly		中、后桥轴距 1310mm 车型 Model W/Model W/Wheel Base Between Intermediate Axle And Rear Axle 1310mm	五十铃结构平衡轴 ISUZU Structure Trunnion Shaft
4	29AD-18113	2	轴承衬套 Bearing Bushing		中、后桥轴距 1310mm 车型 Model W/Model W/Wheel Base Between Intermediate Axle And Rear Axle 1310mm	五十铃结构平衡轴 ISUZU Structure Trunnion Shaft
5	29AD-12015	8	螺母 Nut			

后板簧装置图III / REAR LEAF SPRING III

29-S

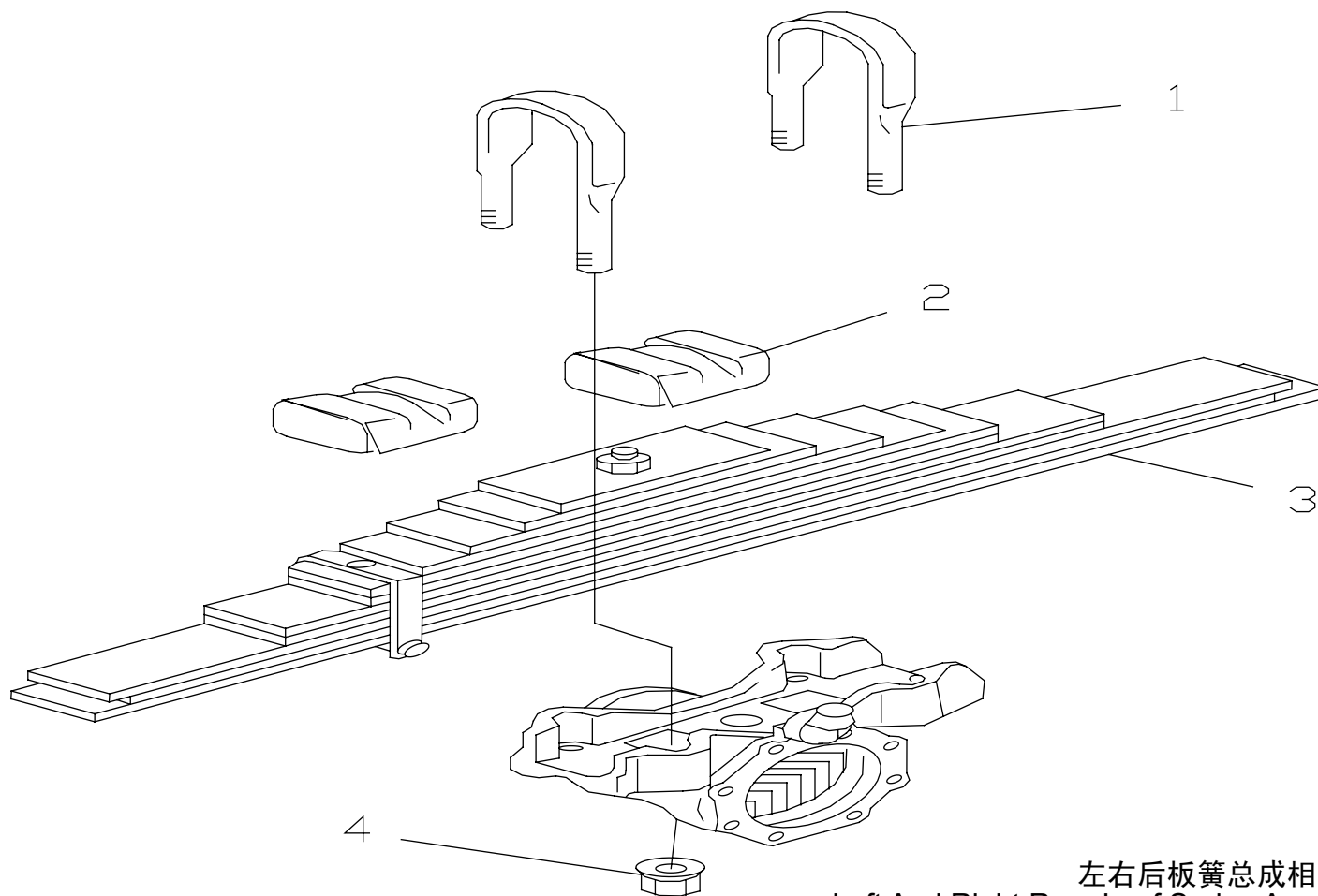


左右后板簧总成相同
Left And Right Rear Leaf Spring Assembly Are The Same

序号 No.	件号 Part No.	数量 Quantity	名称 Name	规格 Specification	适用产品 Products Applied	备注 Remark
1	29A6DZ-12014	4	U型螺栓 U-Bolt		中、后桥轴距 1310mm 车型 Model W/Model W/Wheel Base Between Intermediate Axle And Rear Axle 1310mm	五十铃结构平衡轴 ISUZU Structure Trunnion Shaft
2	29AD-12111	2	上盖板 Top Panel		中、后桥轴距 1310mm 车型 Model W/Model W/Wheel Base Between Intermediate Axle And Rear Axle 1310mm	五十铃结构平衡轴 ISUZU Structure Trunnion Shaft
3	29A6DZ-12010	2	后板簧总成 Rear Leaf Spring Assembly		中、后桥轴距 1310mm 车型 Model W/Model W/Wheel Base Between Intermediate Axle And Rear Axle 1310mm	五十铃结构平衡轴 ISUZU Structure Trunnion Shaft
4	29AD-18113	2	轴承衬套 Bearing Bushing		中、后桥轴距 1310mm 车型 Model W/Model W/Wheel Base Between Intermediate Axle And Rear Axle 1310mm	五十铃结构平衡轴 ISUZU Structure Trunnion Shaft
5	29AD-12015	8	螺母 Nut		中、后桥轴距 1310mm 车型 Model W/Model W/Wheel Base Between Intermediate Axle And Rear Axle 1310mm	五十铃结构平衡轴 ISUZU Structure Trunnion Shaft

后板簧装置图IV / REAR LEAF SPRING IV

29-T

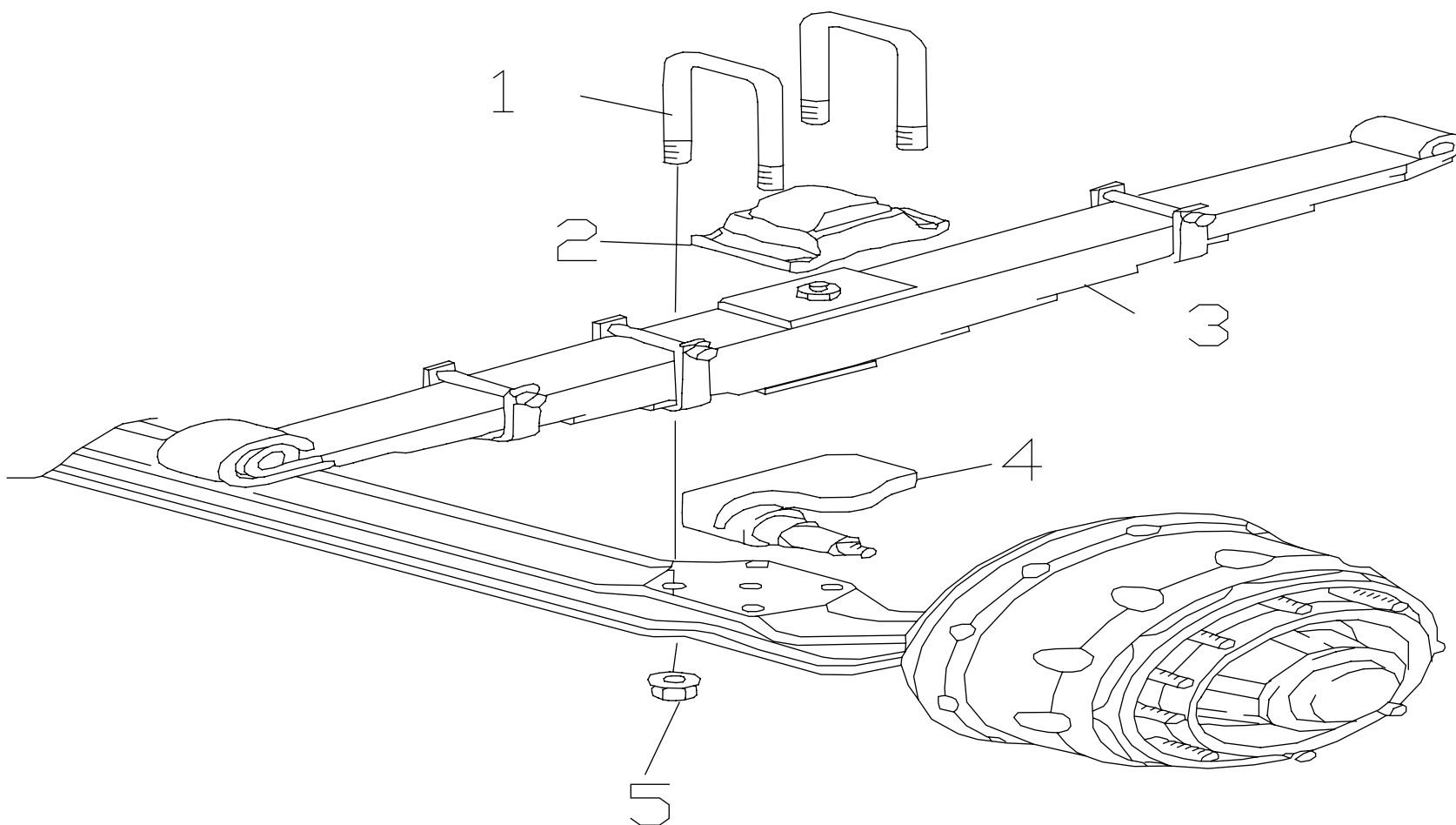


左右后板簧总成相同
Left And Right Rear Leaf Spring Assembly Are The Same

序号 No.	件号 Part No.	数量 Quantity	名称 Name	规格 Specification	适用产品 Products Applied	备注 Remark
1	29AHD-12014	4	U型螺栓 U-Bolt	M27X3X525	中、后桥轴距 1350mm 车型 Model W/Model W/Wheel Base Between Intermediate Axle And Rear Axle 1350mm	三菱加宽结构平衡轴 MITSUBISHI Widened Structure Trunnion Shaft
2	29AD-12051	4	上盖板 Top Panel		中、后桥轴距 1350mm 车型 Model W/Model W/Wheel Base Between Intermediate Axle And Rear Axle 1350mm	三菱加宽结构平衡轴 MITSUBISHI Widened Structure Trunnion Shaft
3	29AHD-12010	2	后板簧总成 Rear Leaf Spring Assembly		中、后桥轴距 1350mm 车型 Model W/Model W/Wheel Base Between Intermediate Axle And Rear Axle 1350mm	三菱加宽结构平衡轴 MITSUBISHI Widened Structure Trunnion Shaft
4	29AD-12015	8	螺母 Nut			

前板簧装置图 I / FRONT LEAF SPRING I

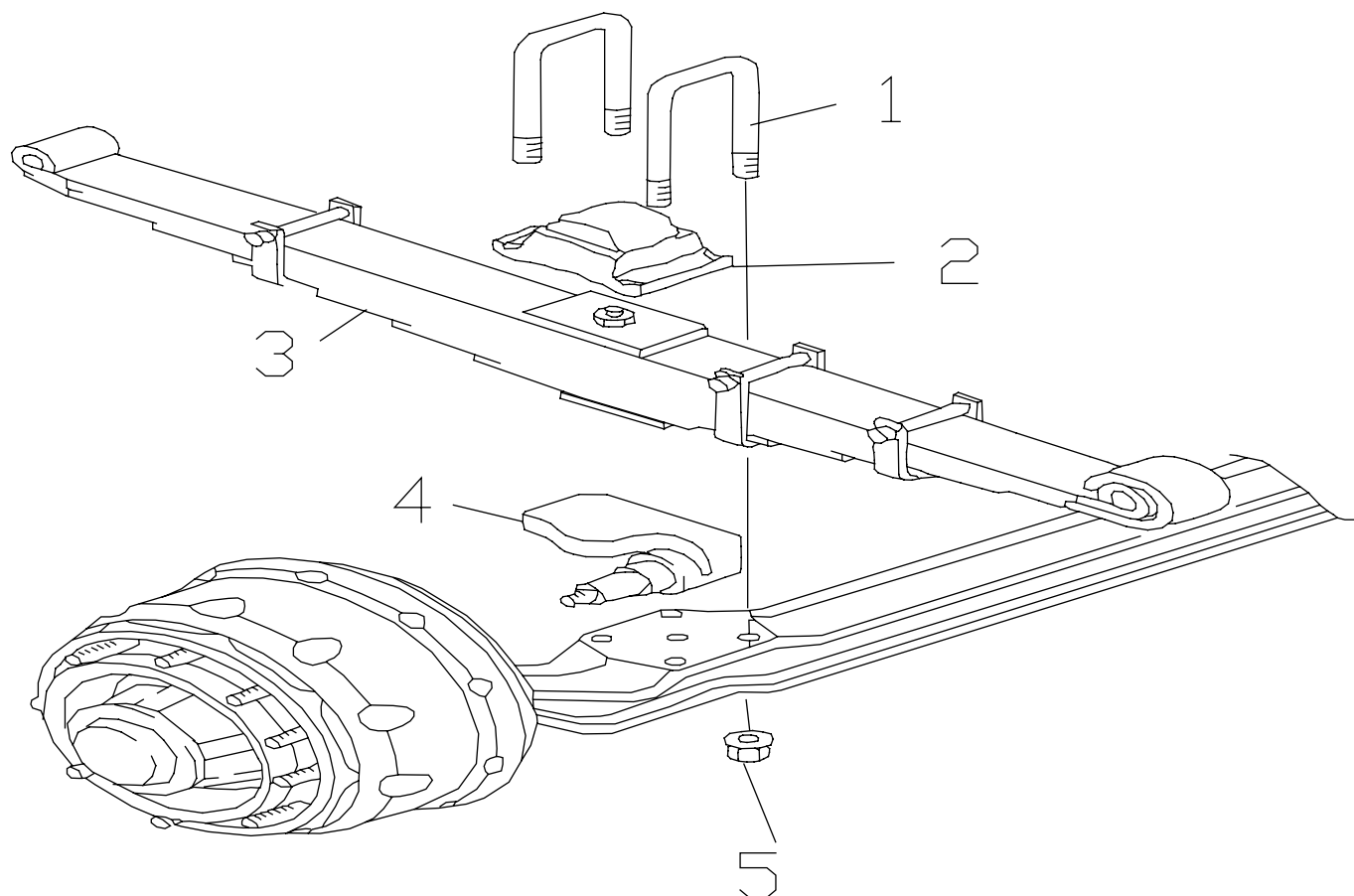
29-U



序号 No.	件号 Part No.	数量 Quantity	名称 Name	规格 Specification	适用产品 Products Applied	备注 Remark
1	29AD-02041	2	U型螺栓 U-Bolt			
2	29AD-20010	1	限位块 Limiting Stopper			
3	29AD-02010	1	前板簧总成 Front Leaf Spring Assembly			
4	29AD-05123	1	减震器左下托架 Shock Absorber Lower Bracket LH			
5	Q363B20	4	螺母 Nut			

前板簧装置图 II / FRONT LEAF SPRING II

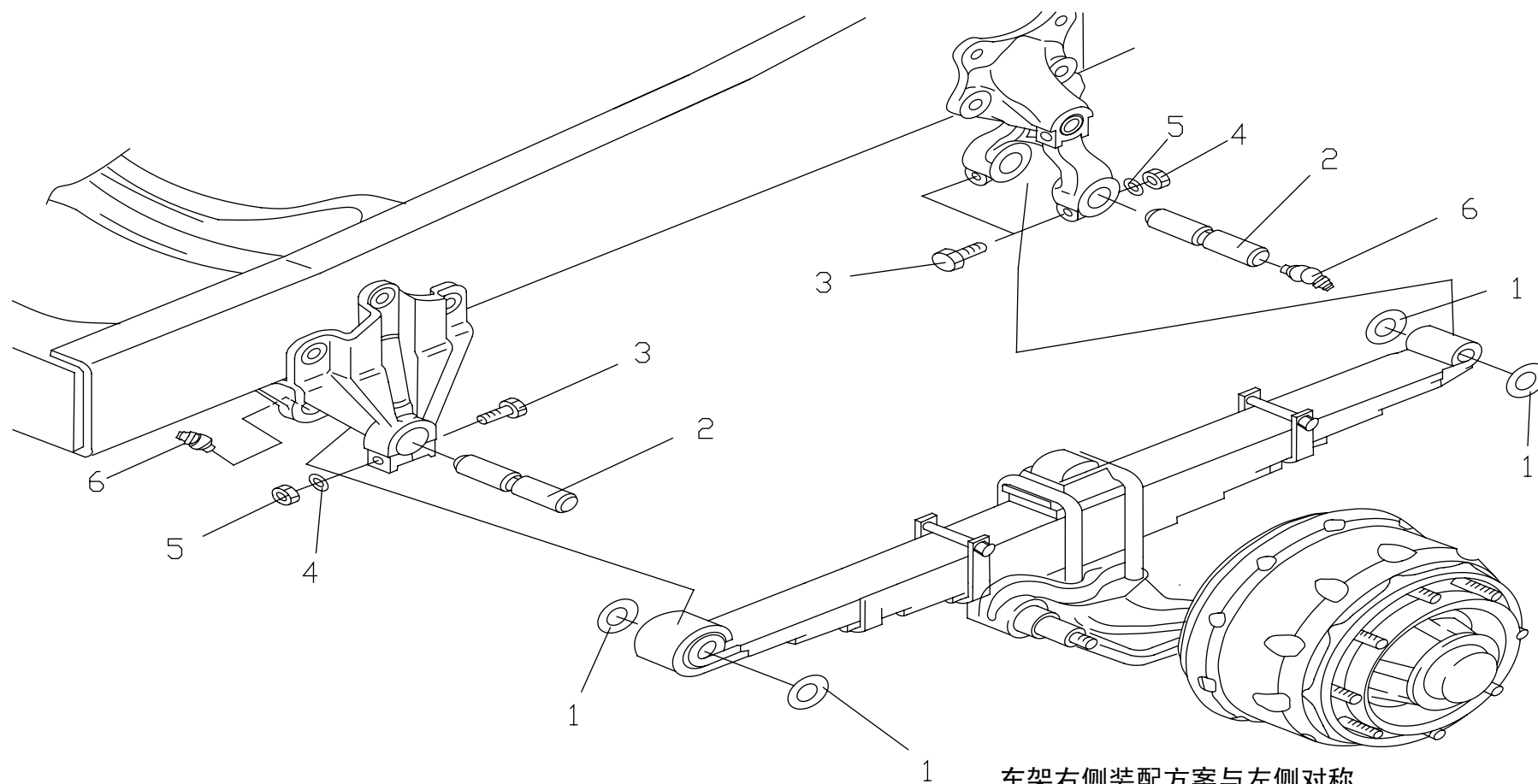
29-V



序号 No.	件号 Part No.	数量 Quantity	名称 Name	规格 Specification	适用产品 Products Applied	备注 Remark
1	29AD-02041	2	U型螺栓 U-Bolt			
2	29AD-20010	1	限位块 Limiting Stopper			
3	29AD-02010	1	前板簧总成 Front Leaf Spring Assembly			
4	29AD-05124	1	减震器右下托架 Shock Absorber Lower Bracket RH			
5	Q363B20	4	螺母 Nut			

前板簧装置图III / FRONT LEAF SPRING III

29-W

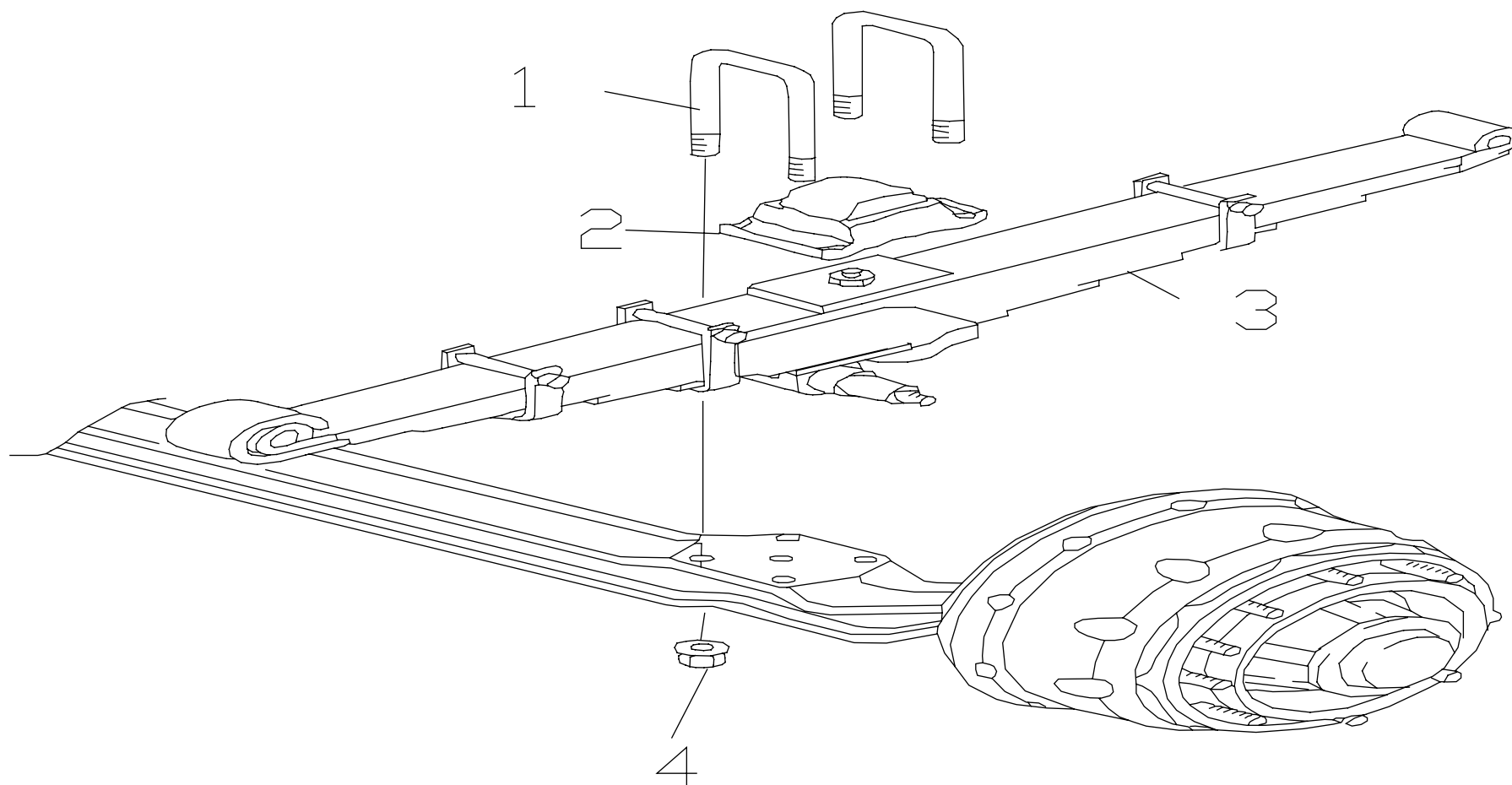


车架右侧装配方案与左侧对称
Eudipleural

序号 No.	件号 Part No.	数量 Quantity	名称 Name	规格 Specification	适用产品 Products Applied	备注 Remark
1	29AD-02037	8	垫圈 Washer			
2	29AD-01021	4	钢板弹簧销 Leaf Spring Pin			
3	29AD-01061	6	六角螺栓 Hexagon Bolt			
4	Q40512	6	弹簧垫圈 Spring Washer			
5	Q341C12T13F3	6	六角螺母 Hexagon Nut			
6	Q701B45	4	弯颈式滑脂嘴 Elbow Grease Nipple			

四桥车前板簧装置图 I / 4-AXLE VEHICLE FRONT LEAF SPRING I

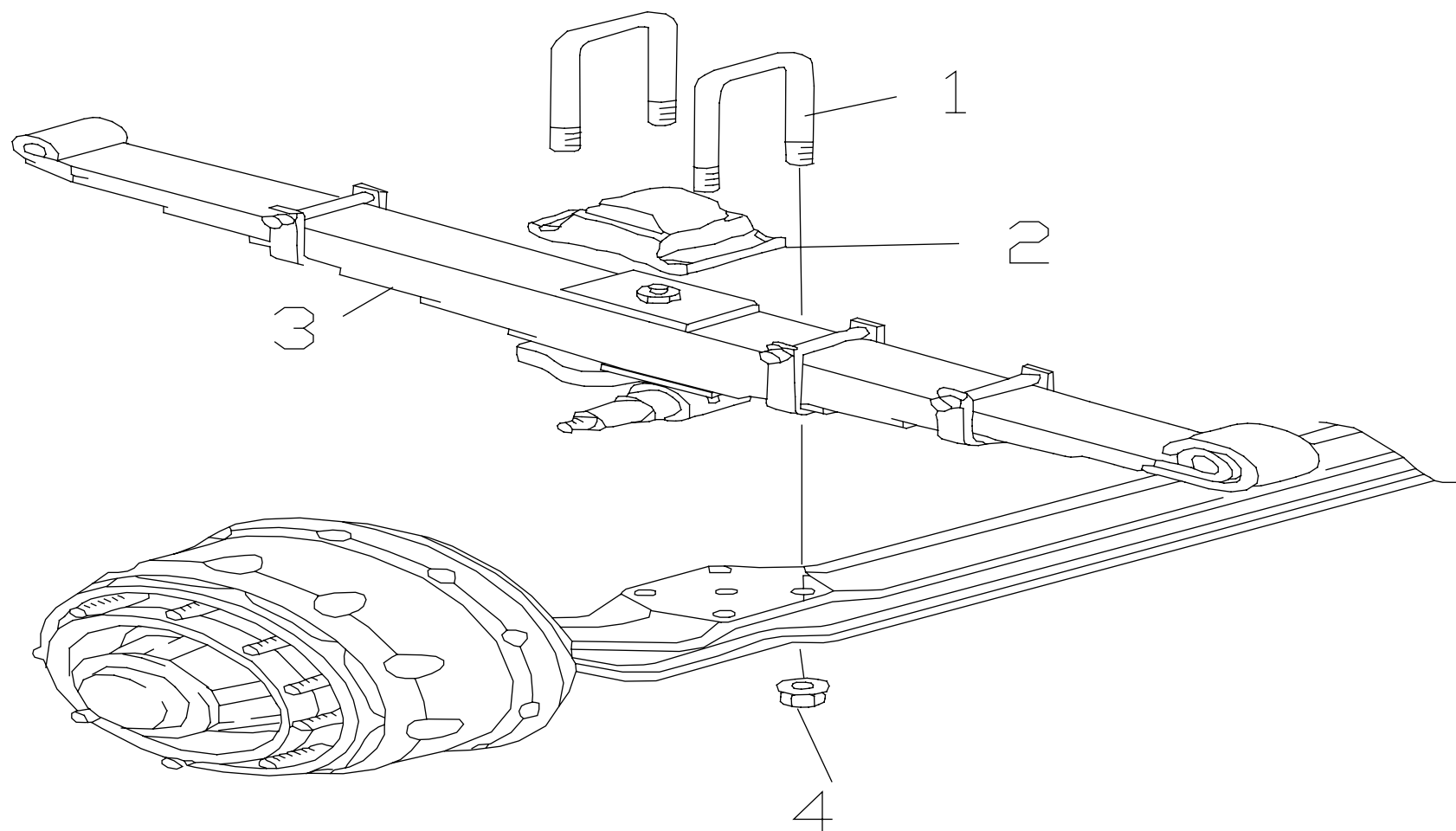
29-X



序号 No.	件号 Part No.	数量 Quantity	名称 Name	规格 Specification	适用产品 Products Applied	备注 Remark
1	29AD-02041	4	U型螺栓 U-Bolt			
2	29AD-20010	2	限位块 Limiting Stopper			
3	29ADP5-02010	1	左前板簧总成 Front Leaf Spring Assembly LH			
	29ADP5-02030	1	左后板簧总成 Rear Leaf Spring Assembly LH			
	29ADP5-02010-T	1	左前板簧总成 Front Leaf Spring Assembly LH		右驾车型 RHD	
4	Q363B20	8	螺母 Nut			

四桥车前板簧装置图 II / 4-AXLE VEHICLE FRONT LEAF SPRING II

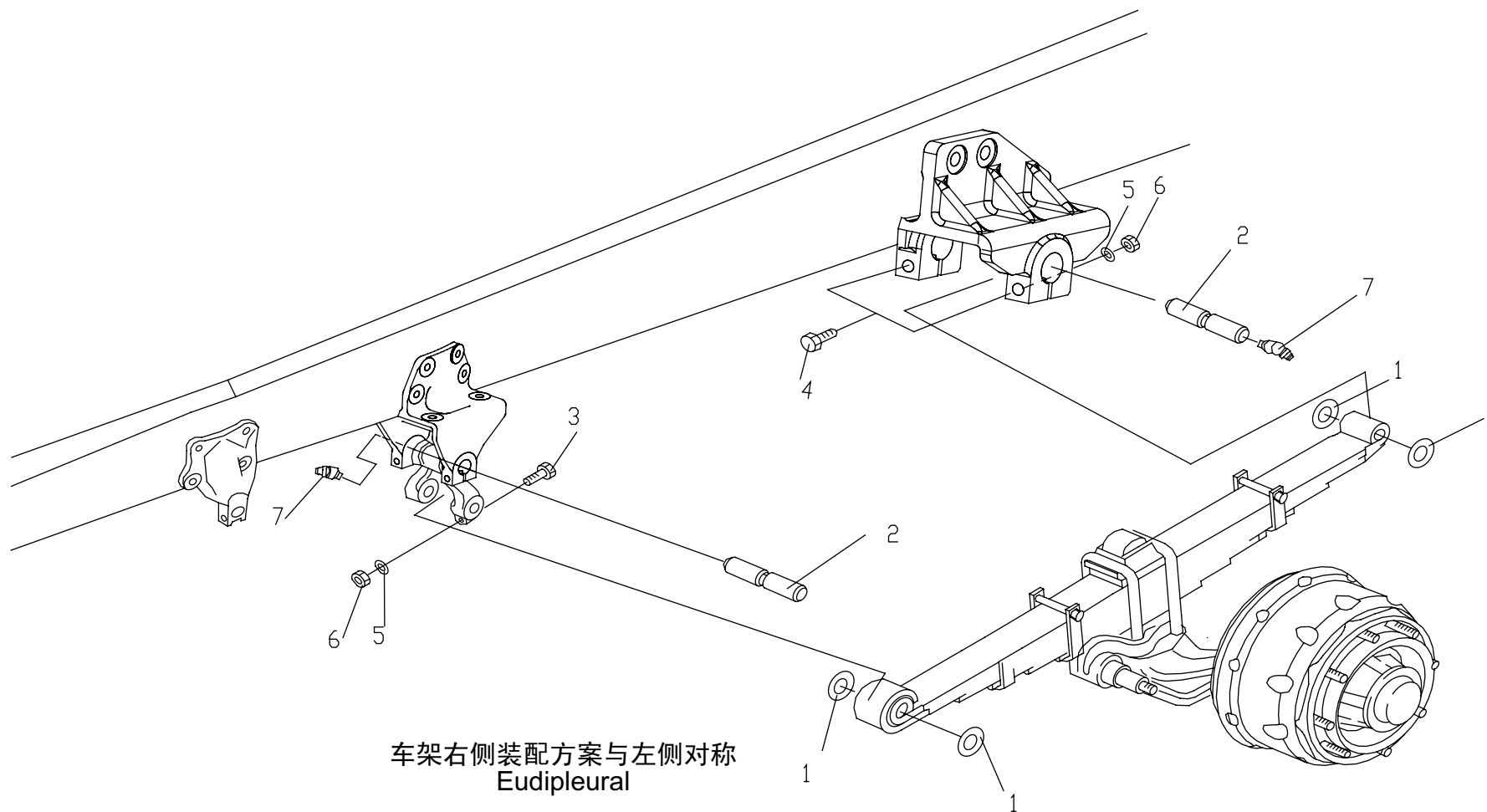
29-Y



序号 No.	件号 Part No.	数量 Quantity	名称 Name	规格 Specification	适用产品 Products Applied	备注 Remark
1	29AD-02041	4	U型螺栓 U-Bolt			
2	29AD-20010	2	限位块 Limiting Stopper			
3	29ADP5-02020	1	右前板簧总成 Front Leaf Spring Assembly RH			
	29ADP5-02040	1	右后板簧总成 Rear Leaf Spring Assembly RH			
	29ADP5-02020-T	1	右前板簧总成 Front Leaf Spring Assembly RH		右驾车型 RHD	
4	Q363B20	8	螺母 Nut			

四桥车前板簧装置图III / 4-AXLE VEHICLE FRONT LEAF SPRING III

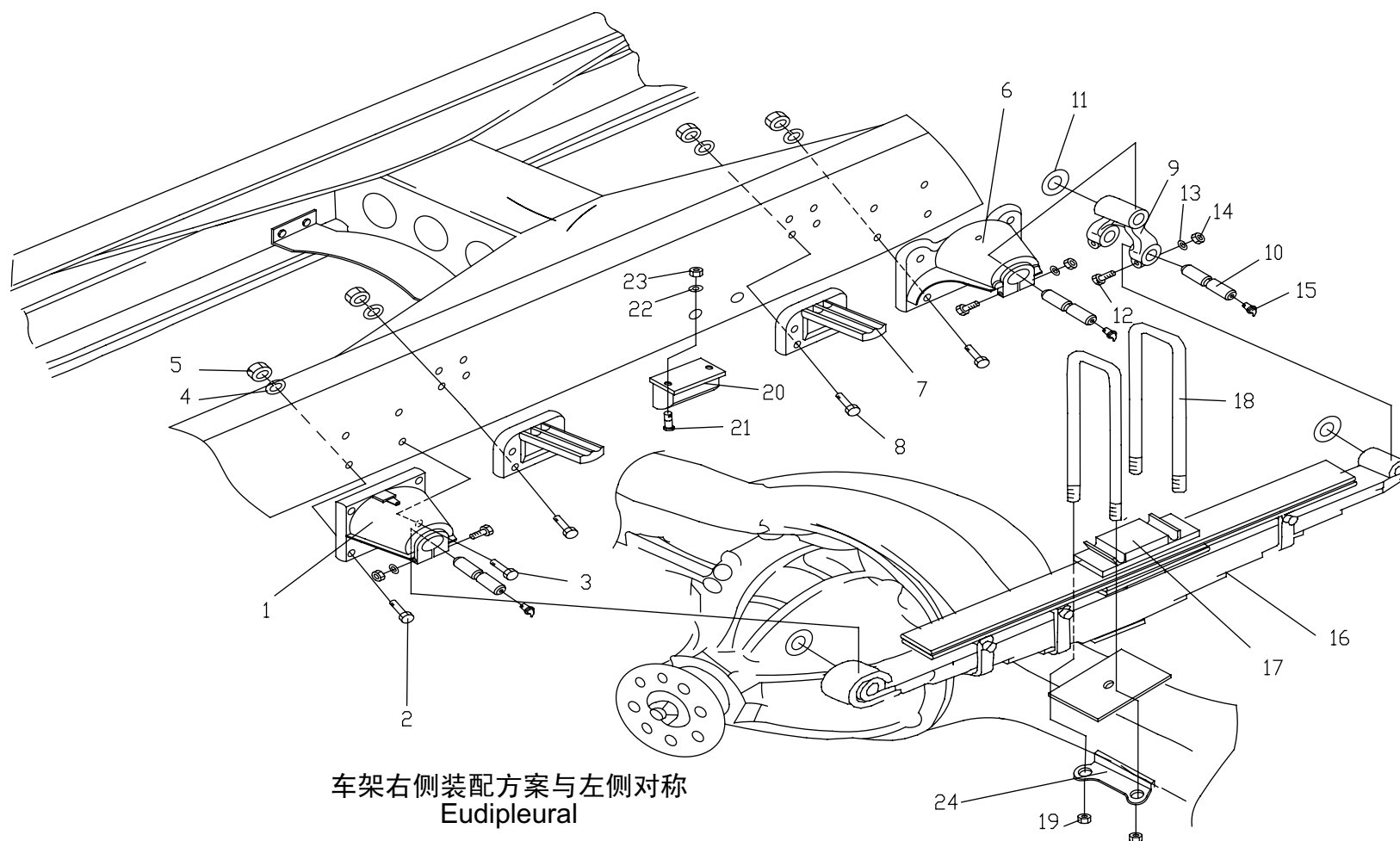
29-Z



序号 No.	件号 Part No.	数量 Quantity	名称 Name	规格 Specification	适用产品 Products Applied	备注 Remark
1	29AD-02037	8	垫圈 Washer			
2	29AD-01021	4	钢板弹簧销 Leaf Spring Pin			
3	29ADQ1-01051	2	六角螺栓 Hexagon Bolt			
4	29AD-01061	4	六角螺栓 Hexagon Bolt			
5	Q40512	6	弹簧垫圈 Spring Washer			
6	Q341B14T13F3	6	六角螺母 Hexagon Nut			
7	Q701B45	4	弯颈式滑脂嘴 Elbow Grease Nipple			

单桥后悬架装置图 / SINGLE AXLE REAR SUSPENSION

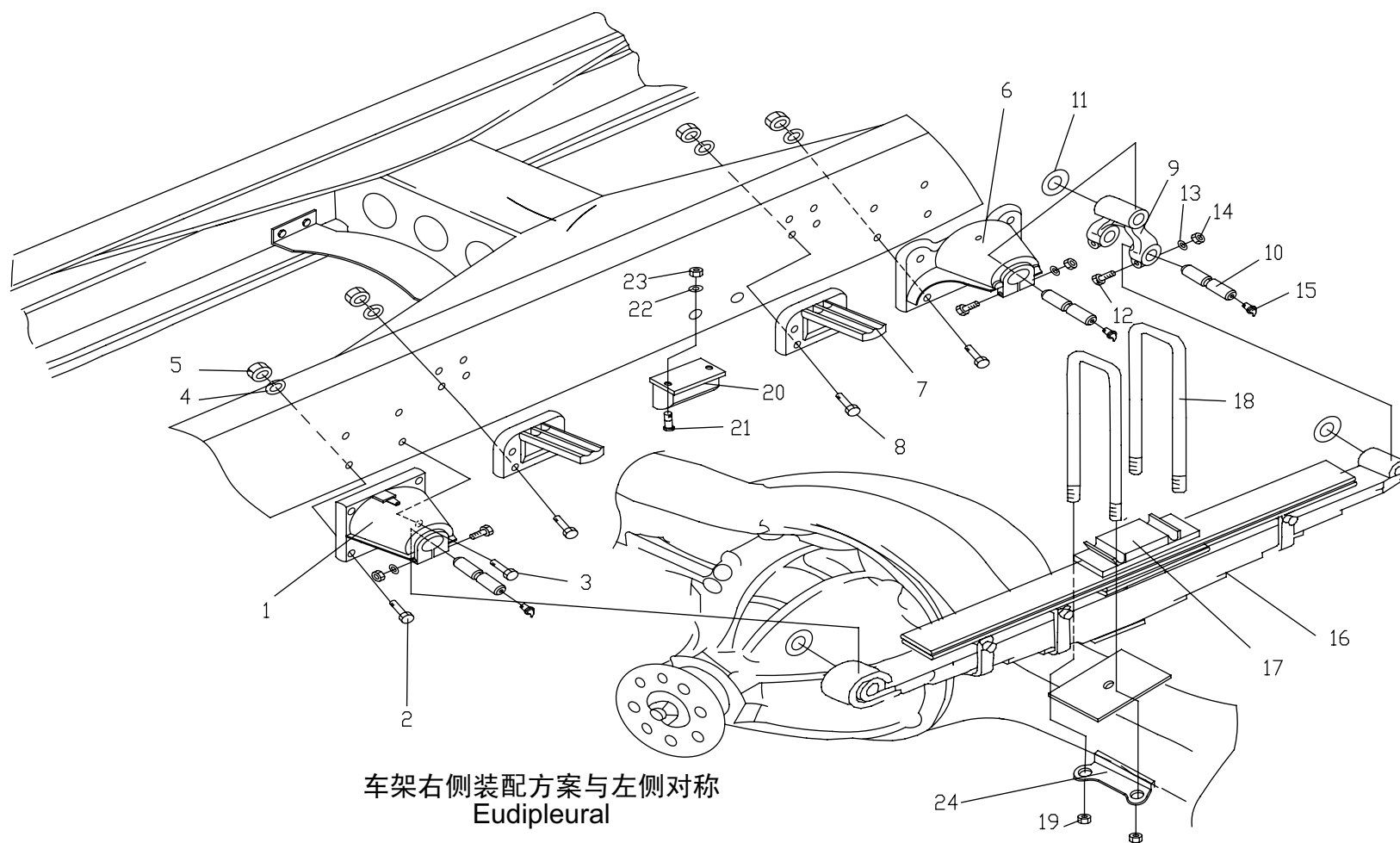
29-AA



序号 No.	件号 Part No.	数量 Quantity	名称 Name	规格 Specification	适用产品 Products Applied	备注 Remark
1	29A4DQ1-11011	2	后板簧前吊耳座 Rear Leaf Spring Front Shackle Seat			
2	29A4DQ1-11017	14	六角螺栓 Hexagon Bolt			
3	29A4DQ1-11018	2	六角螺栓 Hexagon Bolt			
4	Q40514	32	弹簧垫圈 Spring Washer			
5	Q341B14 T13F3	32	六角螺母 Hexagon Nut			
6	29A4DQ1-11031	2	后板簧后吊耳座 Rear Leaf Spring Rear Shackle Seat			
7	29A4DQ1-11061	4	副板簧挡板 Sub Leaf Spring Baffle			
8	29AD-01213	16	六角螺栓 Hexagon Bolt			
9	29A4DQ1-01020	2	吊耳总成 Shackle Assembly			
10	29A4DQ1-11021	6	板簧销 Leaf Spring Pin			
11	29A4DQ1-02037	6	垫圈 Washer			
12	29AD-01061	6	六角螺栓 Hexagon Bolt			
13	Q40512	6	弹簧垫圈 Spring Washer			
14	Q341C12 T13F3	6	六角螺母 Hexagon Nut			

单桥后悬架装置图 / SINGLE AXLE REAR SUSPENSION

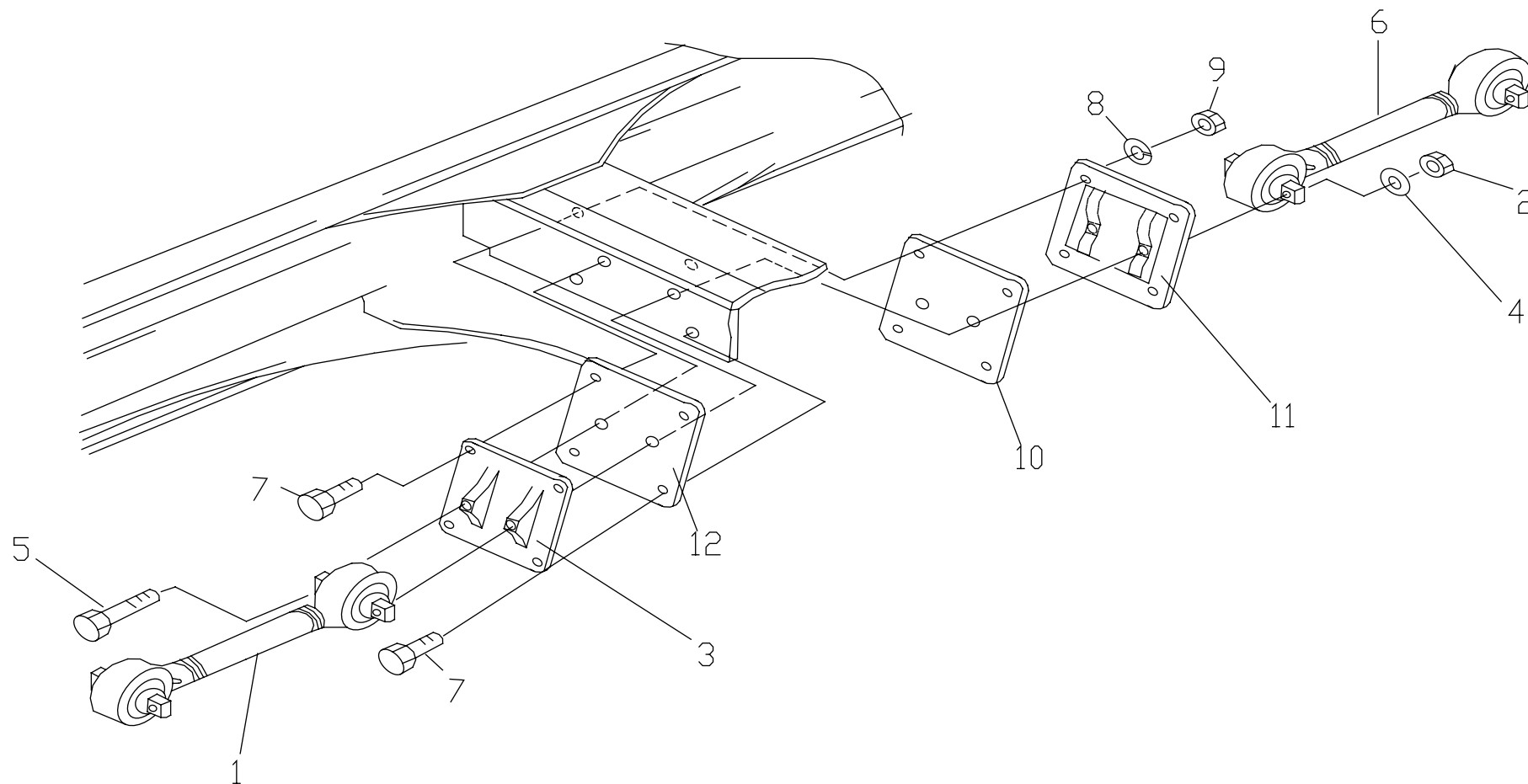
29-AA



序号 No.	件号 Part No.	数量 Quantity	名称 Name	规格 Specification	适用产品 Products Applied	备注 Remark
15	Q701B45	6	弯颈式滑脂嘴 Elbow Grease Nipple			
16	29A4DQ1-12010	2	后板簧总成 Rear Leaf Spring Assembly			
17	29A4DQ1-12115	2	上盖板总成 Top Panel Assembly			
18	29A4DQ1-12014	4	U型螺栓 U-Bolt			
19	29AD-12015	8	螺母 Nut			
20	29AD-20130	2	限位块总成 Limiting Stopper Assembly			
21	Q151B1240	4	六角螺栓 Hexagon Bolt			
22	Q40512	4	弹性垫圈 Spring Washer			
23	Q341B12	4	六角螺母 Hexagon Nut			
24	29A4DQ1-12021	2	U型螺栓固定支架 U-Bolt Fixed Bracket			

推力杆装置图 I / DISTANCE ROD I

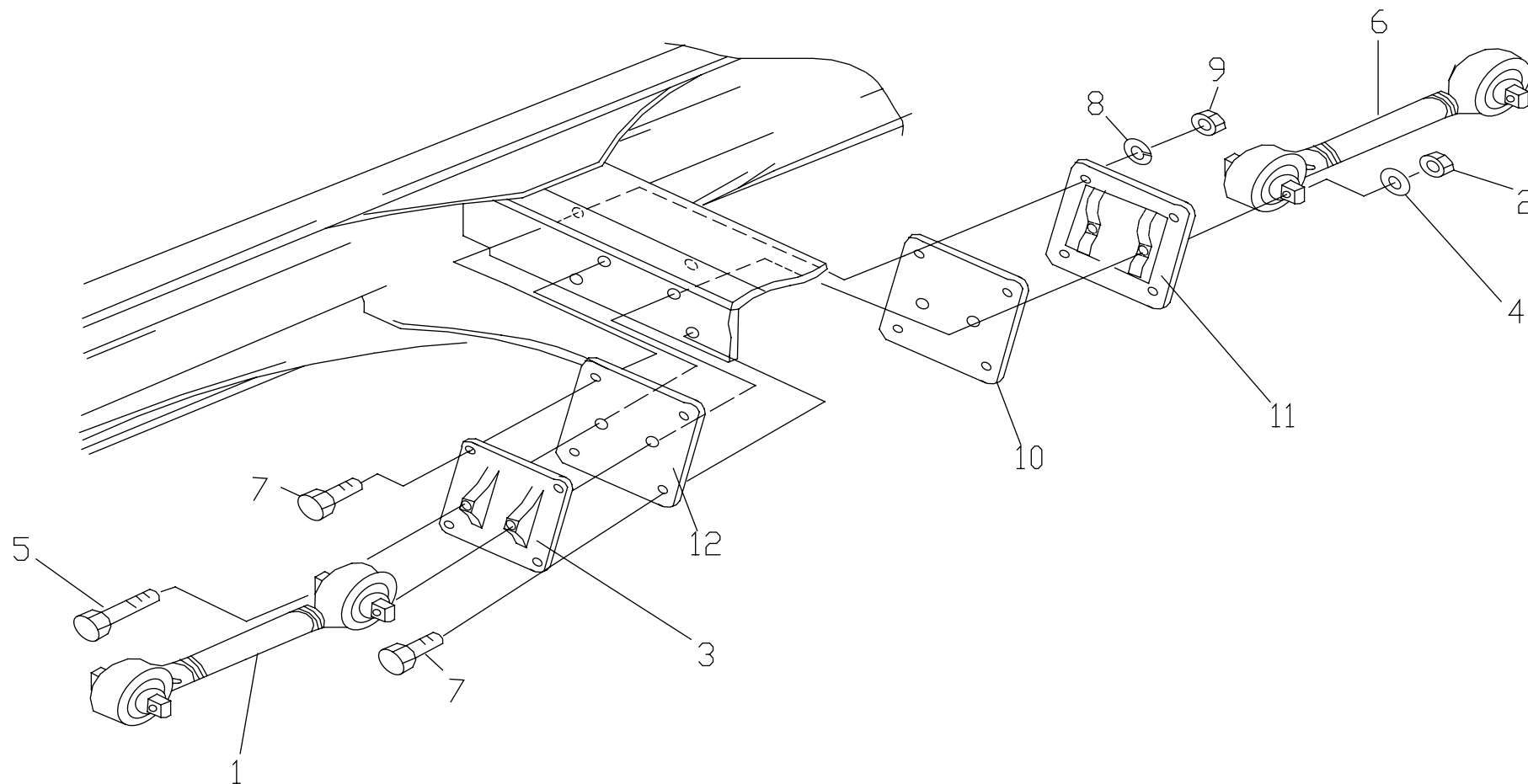
29-AB



序号 No.	件号 Part No.	数量 Quantity	名称 Name	规格 Specification	适用产品 Products Applied	备注 Remark
1	29A3D-09010	1	推力杆 Distance Rod			中后桥轴距 1310mm 车型 Model W/Wheel Base Between Intermediate Axle And Rear Axle 1310mm
2	Q341B18 T13F3	2	六角螺母 Hexagon Nut			中后桥轴距 1310mm 车型 Model W/Wheel Base Between Intermediate Axle And Rear Axle 1310mm
3	29A4D-09417	1	推力杆支架 Distance Rod Bracket			中后桥轴距 1310mm 车型 Model W/Wheel Base Between Intermediate Axle And Rear Axle 1310mm
4	Q41918	2	锥形弹性垫圈 Conical Spring Washer			中后桥轴距 1310mm 车型 Model W/Wheel Base Between Intermediate Axle And Rear Axle 1310mm
5	29AD-09111	2	六角螺栓 Hexagon Bolt			中后桥轴距 1310mm 车型 Model W/Wheel Base Between Intermediate Axle And Rear Axle 1310mm
6	29A2D-09420	1	推力杆 Distance Rod			中后桥轴距 1310mm 车型 Model W/Wheel Base Between Intermediate Axle And Rear Axle 1310mm

推力杆装置图 I / DISTANCE ROD I

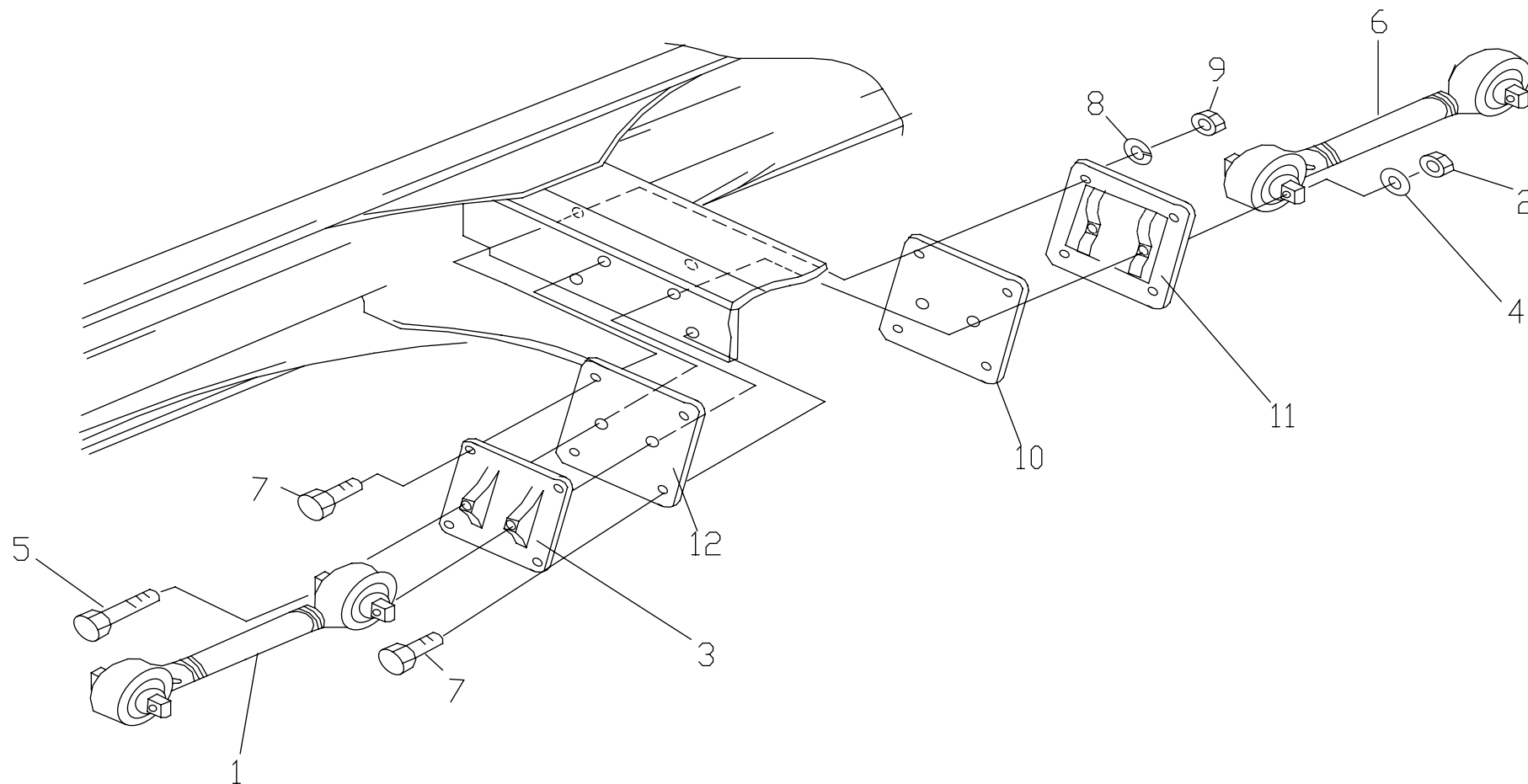
29-AB



序号 No.	件号 Part No.	数量 Quantity	名称 Name	规格 Specification	适用产品 Products Applied	备注 Remark
7	Q151B1480	4	六角螺栓 Hexagon Bolt			中后桥轴距 1310mm 车型 Model W/Wheel Base Between Intermediate Axle And Rear Axle 1310mm
8	Q40514	4	弹簧垫圈 Spring Washer			中后桥轴距 1310mm 车型 Model W/Wheel Base Between Intermediate Axle And Rear Axle 1310mm
9	Q341B14	4	六角螺母 Hexagon Nut			中后桥轴距 1310mm 车型 Model W/Wheel Base Between Intermediate Axle And Rear Axle 1310mm
10	29A2D-09416	1	推力杆垫板 Distance Rod Mat Plate			中后桥轴距 1310mm 车型 Model W/Wheel Base Between Intermediate Axle And Rear Axle 1310mm
11	29AD-09017	1	推力杆支架 Distance Rod Bracket			中后桥轴距 1310mm 车型 Model W/Wheel Base Between Intermediate Axle And Rear Axle 1310mm
12	29A2D-09416	1	推力杆垫板 Distance Rod Mat Plate			中后桥轴距 1310mm 车型 Model W/Wheel Base Between Intermediate Axle And Rear Axle 1310mm

推力杆装置图 I / DISTANCE ROD I

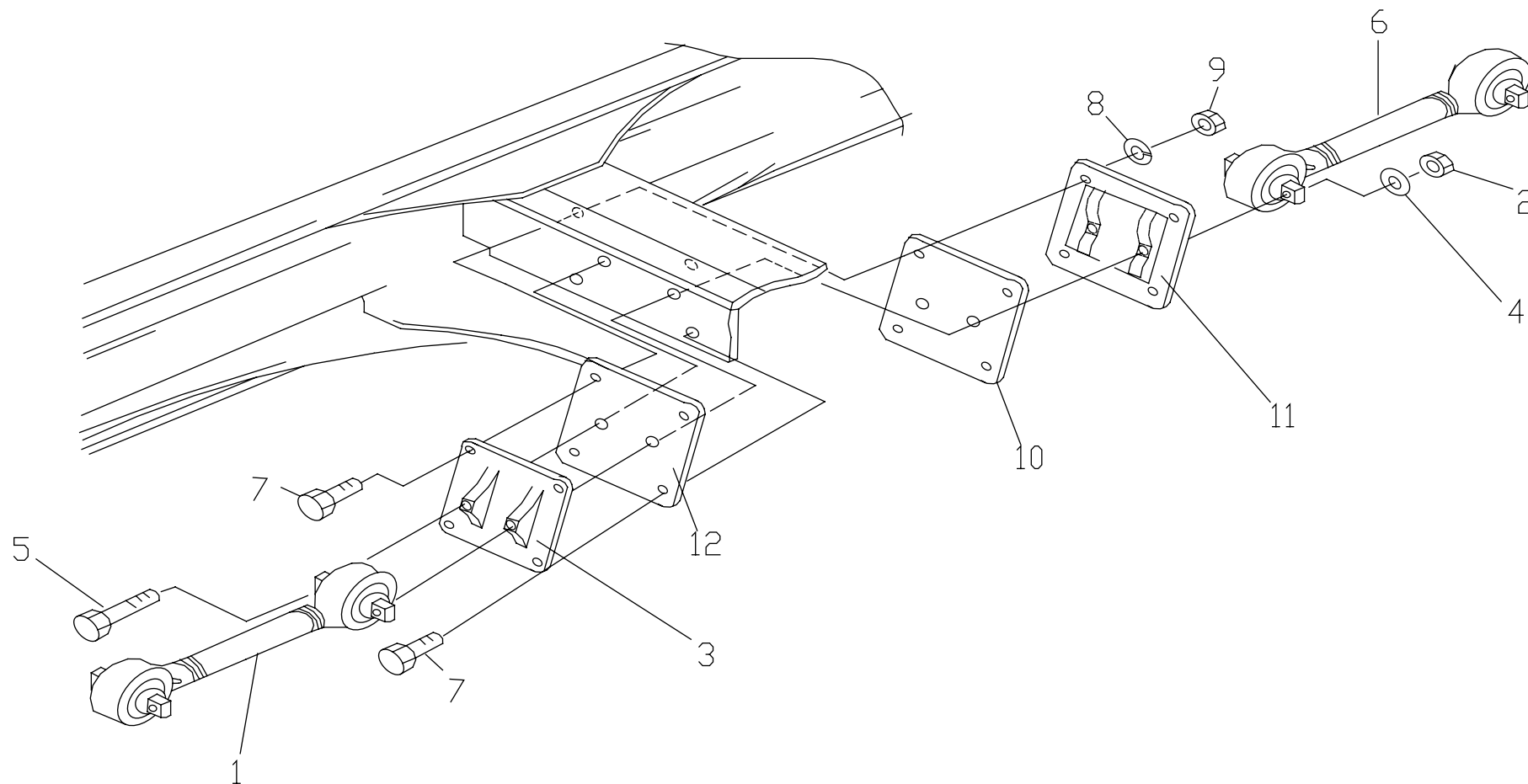
29-AB



序号 No.	件号 Part No.	数量 Quantity	名称 Name	规格 Specification	适用产品 Products Applied	备注 Remark
1	29A3D-09010	1	推力杆 Distance Rod			中后桥轴距 1310mm 车型 Model W/Wheel Base Between Intermediate Axle And Rear Axle 1310mm
2	Q341B18 T13F3	2	六角螺母 Hexagon Nut			中后桥轴距 1310mm 车型 Model W/Wheel Base Between Intermediate Axle And Rear Axle 1310mm
3	29A3D-09017	1	推力杆支架 Distance Rod Bracket			中后桥轴距 1310mm 车型 Model W/Wheel Base Between Intermediate Axle And Rear Axle 1310mm
4	Q41918	2	锥形弹性垫圈 Conical Spring Washer			中后桥轴距 1310mm 车型 Model W/Wheel Base Between Intermediate Axle And Rear Axle 1310mm
5	29AD-09111	2	六角螺栓 Hexagon Bolt			中后桥轴距 1310mm 车型 Model W/Wheel Base Between Intermediate Axle And Rear Axle 1310mm
6	29A3D-09030	1	推力杆 Distance Rod			中后桥轴距 1310mm 车型 Model W/Wheel Base Between Intermediate Axle And Rear Axle 1310mm

推力杆装置图 I / DISTANCE ROD I

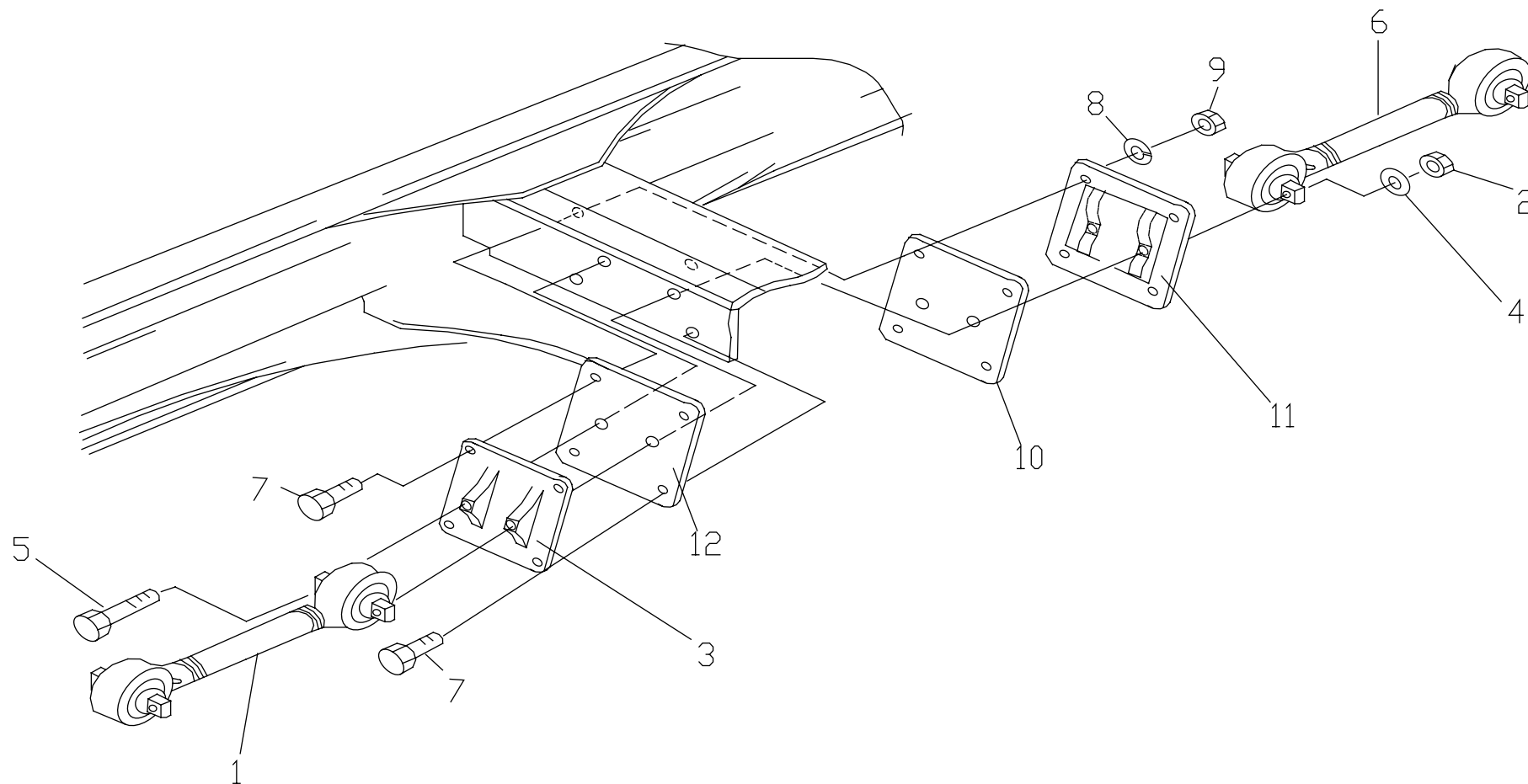
29-AB



序号 No.	件号 Part No.	数量 Quantity	名称 Name	规格 Specification	适用产品 Products Applied	备注 Remark
7	Q151B1480	4	六角螺栓 Hexagon Bolt			中后桥轴距 1310mm 车型 Model W/Wheel Base Between Intermediate Axle And Rear Axle 1310mm
8	Q40514	4	弹簧垫圈 Spring Washer			中后桥轴距 1310mm 车型 Model W/Wheel Base Between Intermediate Axle And Rear Axle 1310mm
9	Q341B14	4	六角螺母 Hexagon Nut			中后桥轴距 1310mm 车型 Model W/Wheel Base Between Intermediate Axle And Rear Axle 1310mm
10	29AD-09416	1	推力杆垫板 Distance Rod Mat Plate			中后桥轴距 1310mm 车型 Model W/Wheel Base Between Intermediate Axle And Rear Axle 1310mm
11	29A3D-09017	1	推力杆支架 Distance Rod Bracket			中后桥轴距 1310mm 车型 Model W/Wheel Base Between Intermediate Axle And Rear Axle 1310mm
12	29AD-09016	1	推力杆垫板 Distance Rod Mat Plate			中后桥轴距 1310mm 车型 Model W/Wheel Base Between Intermediate Axle And Rear Axle 1310mm

推力杆装置图 I / DISTANCE ROD I

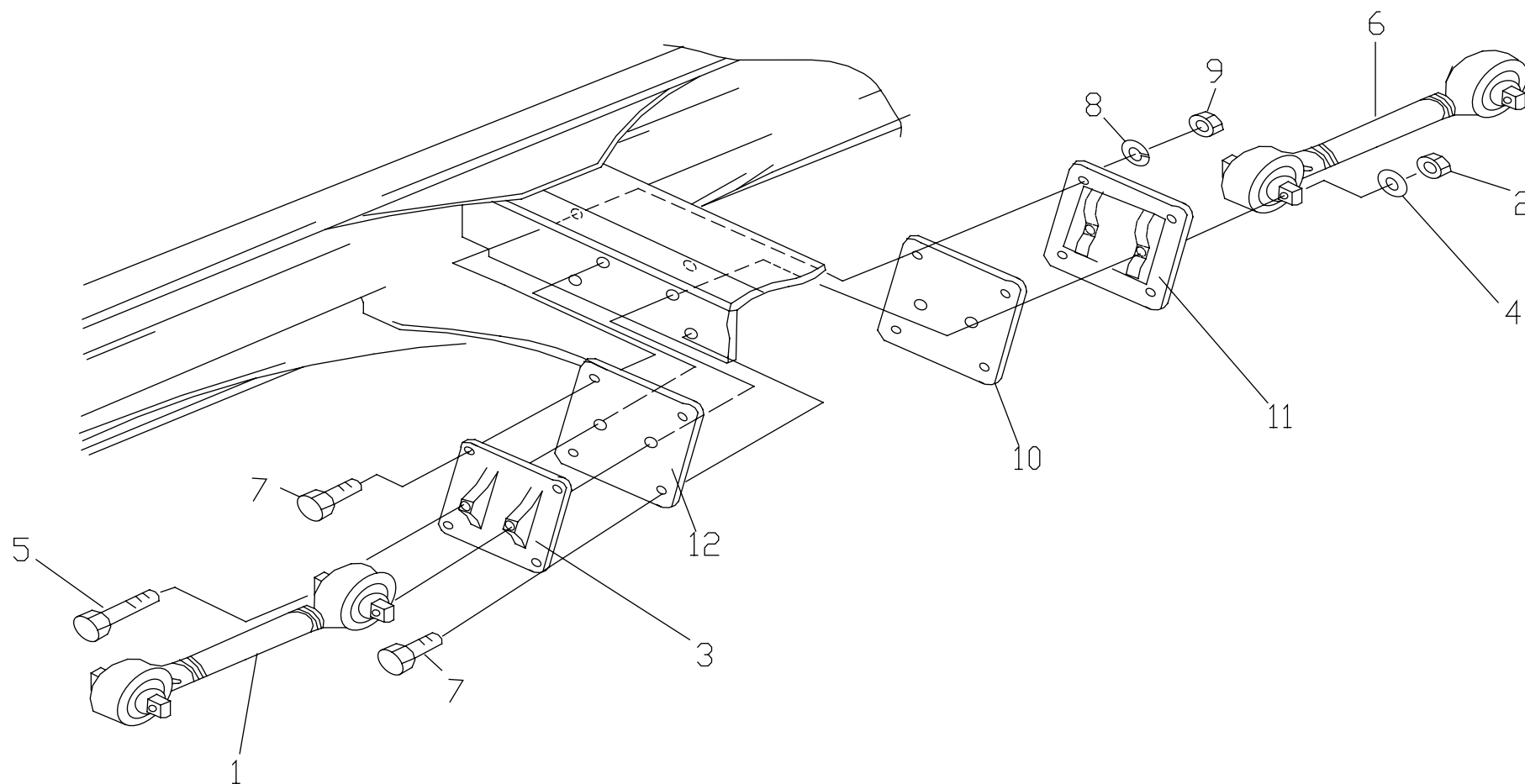
29-AB



序号 No.	件号 Part No.	数量 Quantity	名称 Name	规格 Specification	适用产品 Products Applied	备注 Remark
1	29A3D-09010	1	推力杆 Distance Rod			中后桥轴距 1310mm 车型 Model W/Wheel Base Between Intermediate Axle And Rear Axle 1310mm
2	Q341B18 T13F3	2	六角螺母 Hexagon Nut			中后桥轴距 1310mm 车型 Model W/Wheel Base Between Intermediate Axle And Rear Axle 1310mm
3	29A3D-09017	1	推力杆支架 Distance Rod Bracket			中后桥轴距 1310mm 车型 Model W/Wheel Base Between Intermediate Axle And Rear Axle 1310mm
4	Q41918	2	锥形弹性垫圈 Conical Spring Washer			中后桥轴距 1310mm 车型 Model W/Wheel Base Between Intermediate Axle And Rear Axle 1310mm
5	29AD-09111	2	六角螺栓 Hexagon Bolt			中后桥轴距 1310mm 车型 Model W/Wheel Base Between Intermediate Axle And Rear Axle 1310mm
6	29A4D-09020	1	推力杆 Distance Rod			中后桥轴距 1310mm 车型 Model W/Wheel Base Between Intermediate Axle And Rear Axle 1310mm

推力杆装置图 I / DISTANCE ROD I

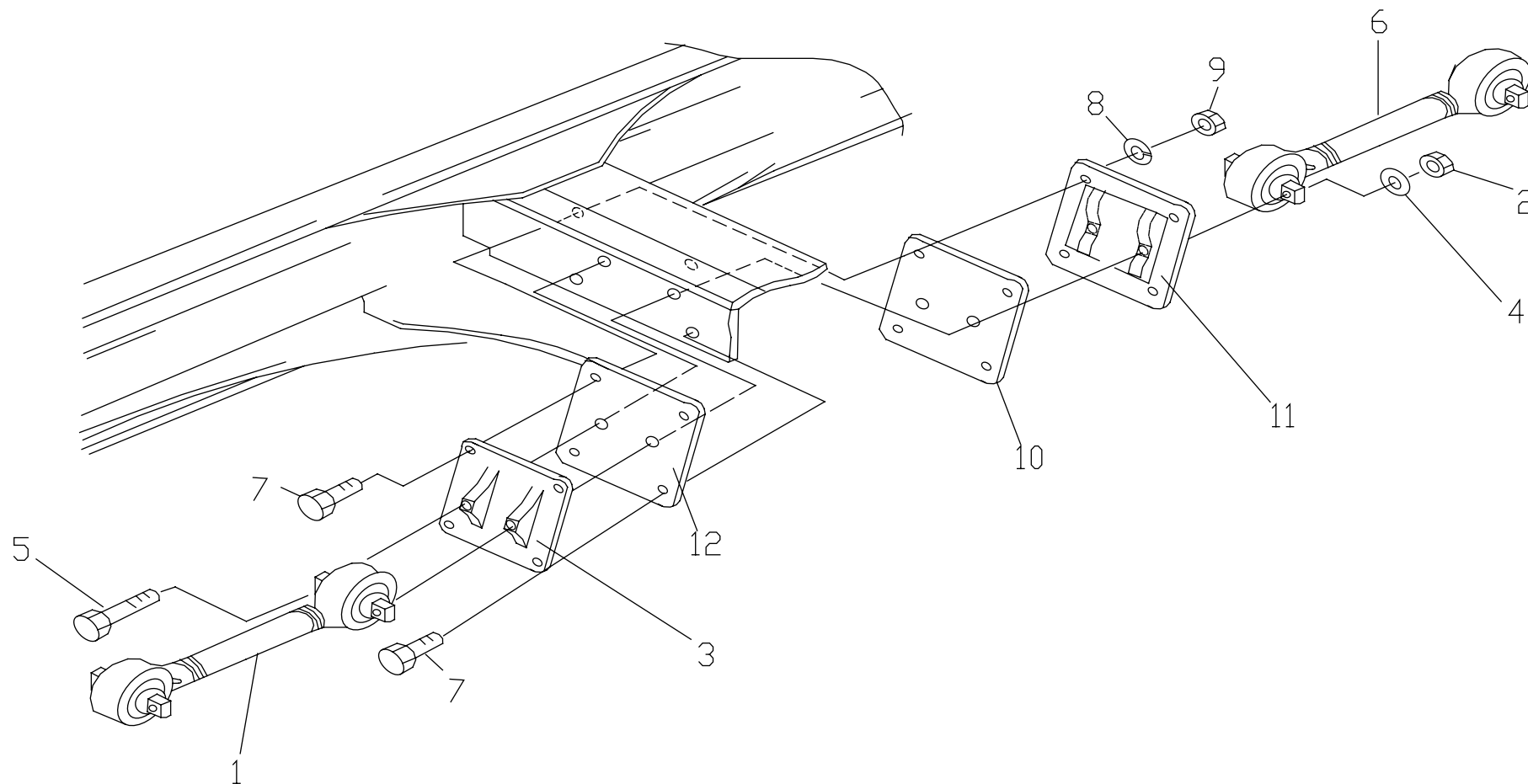
29-AB



序号 No.	件号 Part No.	数量 Quantity	名称 Name	规格 Specification	适用产品 Products Applied	备注 Remark
7	Q151B1480	4	六角螺栓 Hexagon Bolt			中后桥轴距 1310mm 车型 Model W/Wheel Base Between Intermediate Axle And Rear Axle 1310mm
8	Q40514	4	弹簧垫圈 Spring Washer			中后桥轴距 1310mm 车型 Model W/Wheel Base Between Intermediate Axle And Rear Axle 1310mm
9	Q341B14	4	六角螺母 Hexagon Nut			中后桥轴距 1310mm 车型 Model W/Wheel Base Between Intermediate Axle And Rear Axle 1310mm
10	29AD-09016	1	推力杆垫板 Distance Rod Mat Plate			中后桥轴距 1310mm 车型 Model W/Wheel Base Between Intermediate Axle And Rear Axle 1310mm
11	29AD-09017	1	推力杆支架 Distance Rod Bracket			中后桥轴距 1310mm 车型 Model W/Wheel Base Between Intermediate Axle And Rear Axle 1310mm
12	29AD-09016	1	推力杆垫板 Distance Rod Mat Plate			中后桥轴距 1310mm 车型 Model W/Wheel Base Between Intermediate Axle And Rear Axle 1310mm

推力杆装置图 I / DISTANCE ROD I

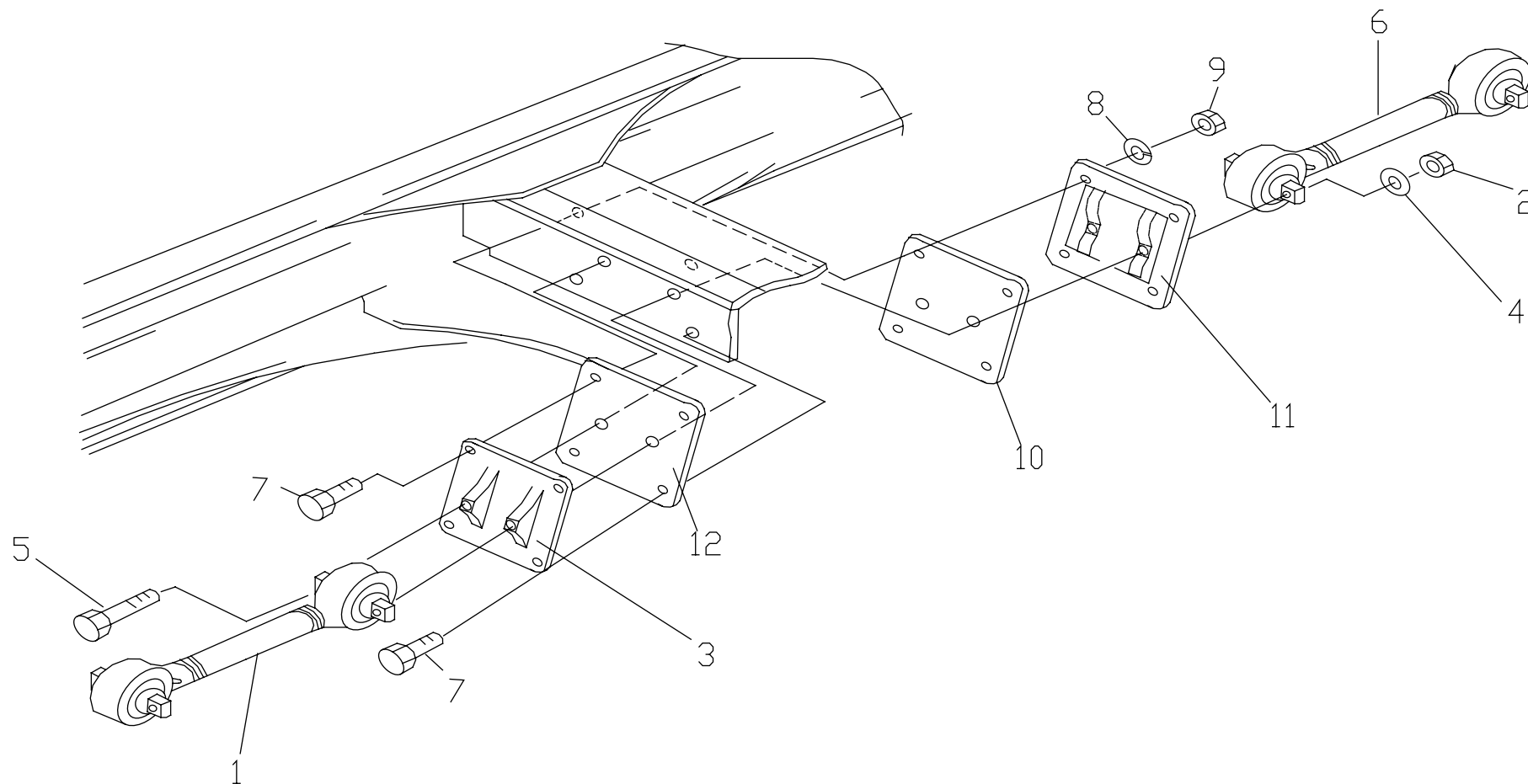
29-AB



序号 No.	件号 Part No.	数量 Quantity	名称 Name	规格 Specification	适用产品 Products Applied	备注 Remark
1	29AD-09010	1	推力杆 Distance Rod			中后桥轴距 1310mm 车型 Model W/Wheel Base Between Intermediate Axle And Rear Axle 1310mm
2	Q341B18 T13F3	2	六角螺母 Hexagon Nut			中后桥轴距 1310mm 车型 Model W/Wheel Base Between Intermediate Axle And Rear Axle 1310mm
3	29A3D-09017	1	推力杆支架 Distance Rod Bracket			中后桥轴距 1310mm 车型 Model W/Wheel Base Between Intermediate Axle And Rear Axle 1310mm
4	Q41918	2	锥形弹性垫圈 Conical Spring Washer			中后桥轴距 1310mm 车型 Model W/Wheel Base Between Intermediate Axle And Rear Axle 1310mm
5	29AD-09111	2	六角螺栓 Hexagon Bolt			中后桥轴距 1310mm 车型 Model W/Wheel Base Between Intermediate Axle And Rear Axle 1310mm
6	29A2D-09420	1	推力杆 Distance Rod			中后桥轴距 1310mm 车型 Model W/Wheel Base Between Intermediate Axle And Rear Axle 1310mm

推力杆装置图 I / DISTANCE ROD I

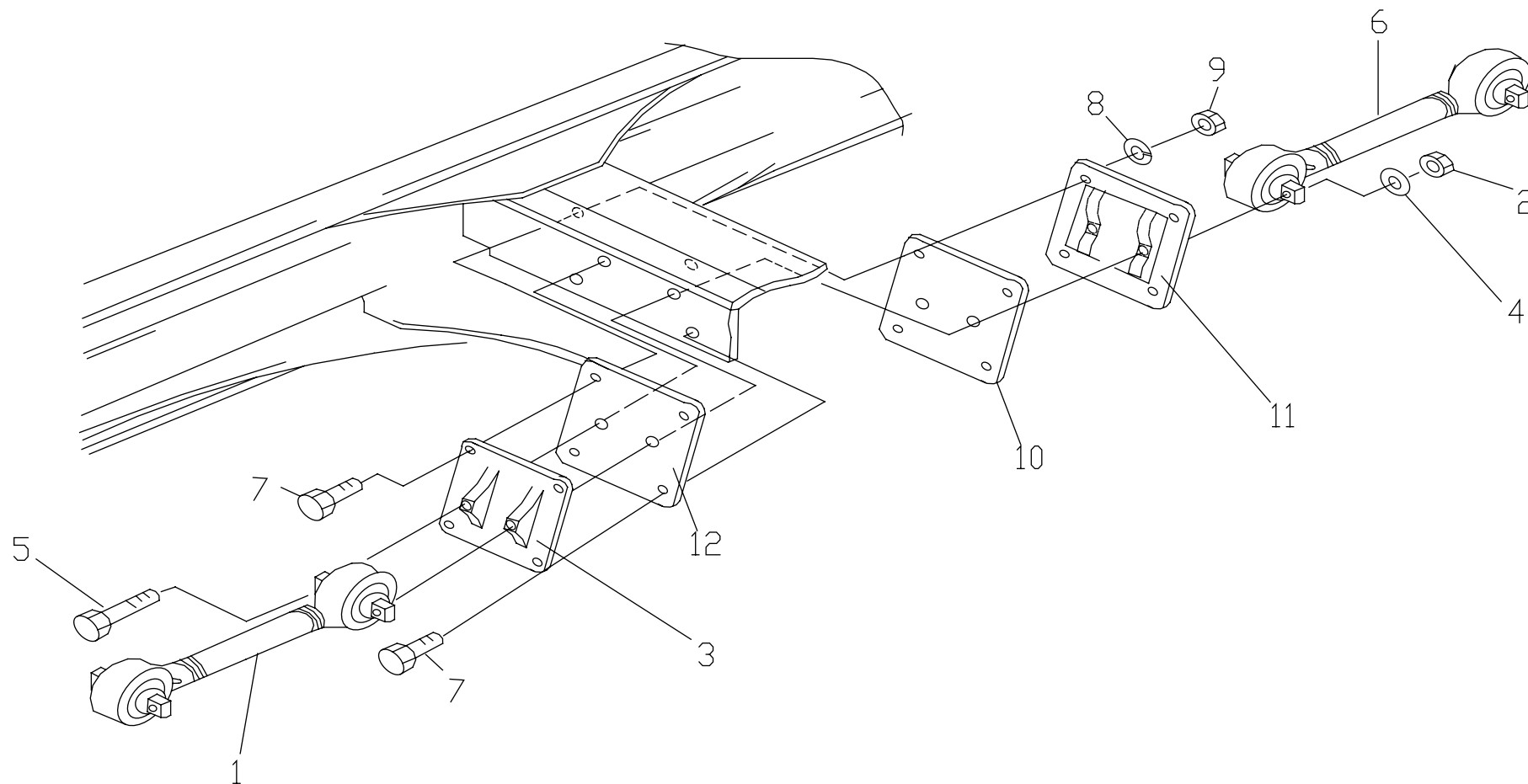
29-AB



序号 No.	件号 Part No.	数量 Quantity	名称 Name	规格 Specification	适用产品 Products Applied	备注 Remark
7	Q151B1480	4	六角螺栓 Hexagon Bolt			中后桥轴距 1310mm 车型 Model W/Wheel Base Between Intermediate Axle And Rear Axle 1310mm
8	Q40514	4	弹簧垫圈 Spring Washer			中后桥轴距 1310mm 车型 Model W/Wheel Base Between Intermediate Axle And Rear Axle 1310mm
9	Q341B14	4	六角螺母 Hexagon Nut			中后桥轴距 1310mm 车型 Model W/Wheel Base Between Intermediate Axle And Rear Axle 1310mm
10	29A2D-09416	1	推力杆垫板 Distance Rod Mat Plate			中后桥轴距 1310mm 车型 Model W/Wheel Base Between Intermediate Axle And Rear Axle 1310mm
11	29AD-09017	1	推力杆支架 Distance Rod Bracket			中后桥轴距 1310mm 车型 Model W/Wheel Base Between Intermediate Axle And Rear Axle 1310mm
12	29A2D-09416	1	推力杆垫板 Distance Rod Mat Plate			中后桥轴距 1310mm 车型 Model W/Wheel Base Between Intermediate Axle And Rear Axle 1310mm

推力杆装置图 I / DISTANCE ROD I

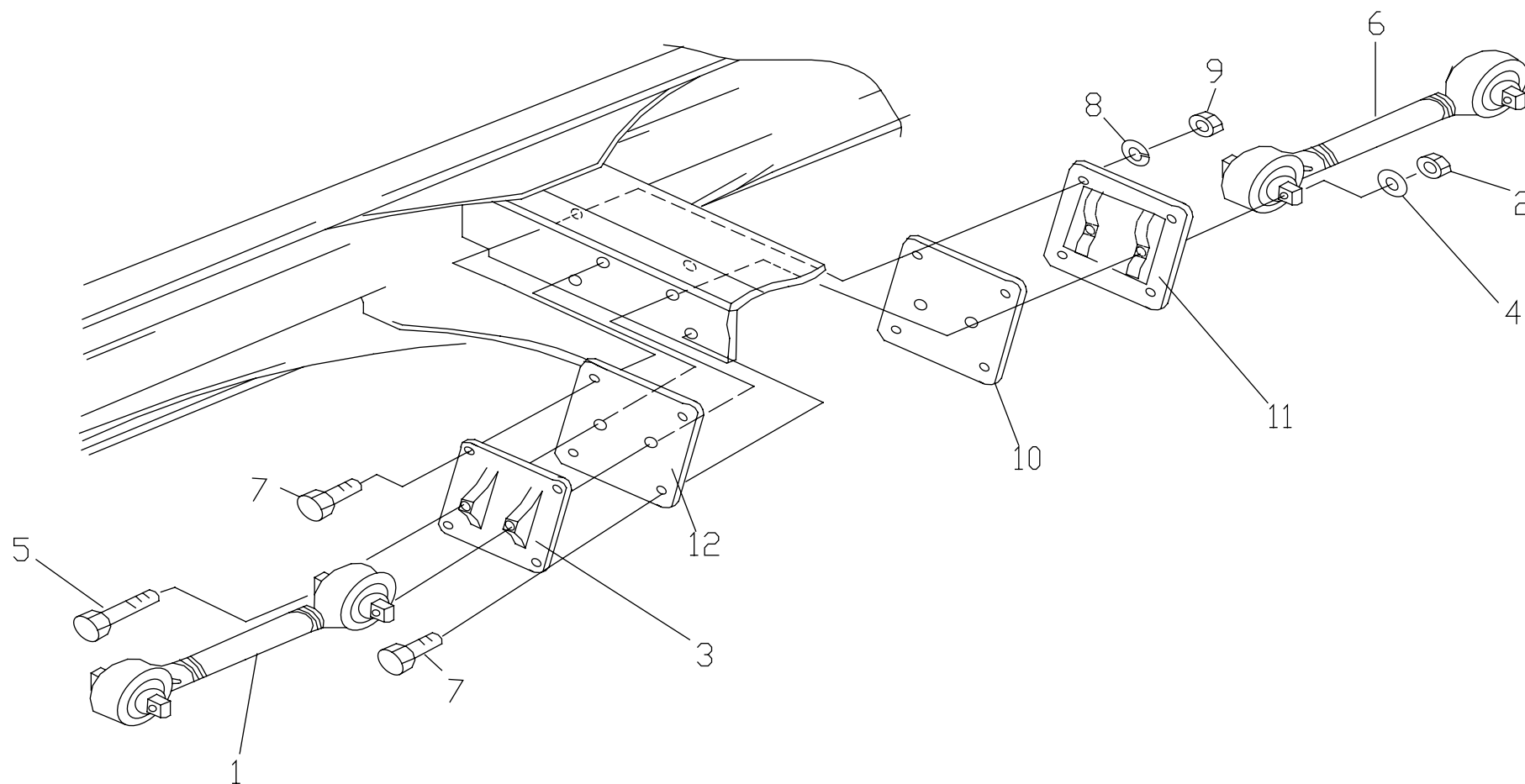
29-AB



序号 No.	件号 Part No.	数量 Quantity	名称 Name	规格 Specification	适用产品 Products Applied	备注 Remark
1	29A3D-09010	1	推力杆 Distance Rod			中后桥轴距 1310mm 车型 Model W/Wheel Base Between Intermediate Axle And Rear Axle 1310mm
2	Q341B18 T13F3	2	六角螺母 Hexagon Nut			中后桥轴距 1310mm 车型 Model W/Wheel Base Between Intermediate Axle And Rear Axle 1310mm
3	29AD-09017	1	推力杆支架 Distance Rod Bracket			中后桥轴距 1310mm 车型 Model W/Wheel Base Between Intermediate Axle And Rear Axle 1310mm
4	Q41918	2	锥形弹性垫圈 Conical Spring Washer			中后桥轴距 1310mm 车型 Model W/Wheel Base Between Intermediate Axle And Rear Axle 1310mm
5	29AD-09111	2	六角螺栓 Hexagon Bolt			中后桥轴距 1310mm 车型 Model W/Wheel Base Between Intermediate Axle And Rear Axle 1310mm
6	29AD-09020	1	推力杆 Distance Rod			中后桥轴距 1310mm 车型 Model W/Wheel Base Between Intermediate Axle And Rear Axle 1310mm

推力杆装置图 I / DISTANCE ROD I

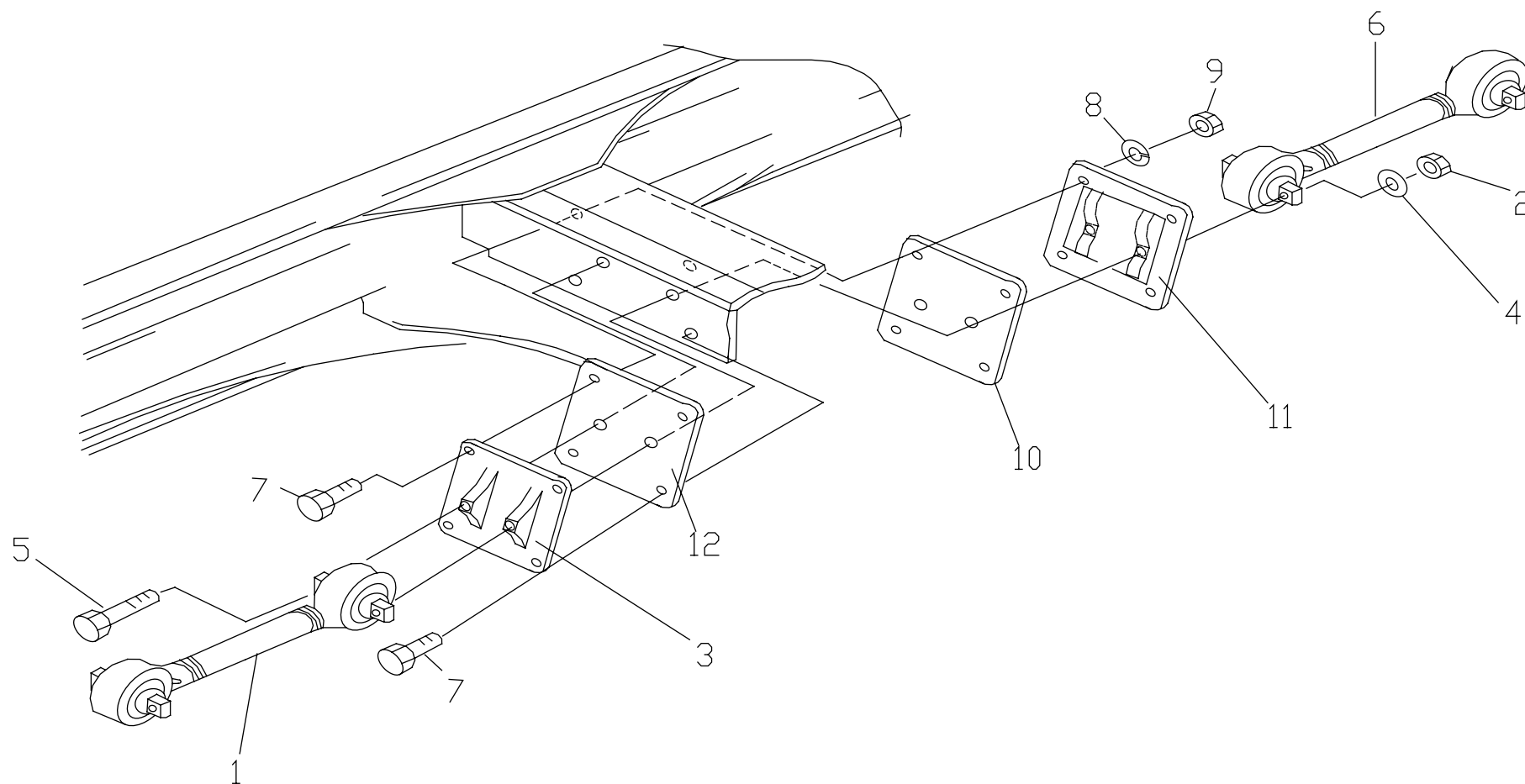
29-AB



序号 No.	件号 Part No.	数量 Quantity	名称 Name	规格 Specification	适用产品 Products Applied	备注 Remark
7	Q151B1480	4	六角螺栓 Hexagon Bolt			中后桥轴距 1310mm 车型 Model W/Wheel Base Between Intermediate Axle And Rear Axle 1310mm
8	Q40514	4	弹簧垫圈 Spring Washer			中后桥轴距 1310mm 车型 Model W/Wheel Base Between Intermediate Axle And Rear Axle 1310mm
9	Q341B14	4	六角螺母 Hexagon Nut			中后桥轴距 1310mm 车型 Model W/Wheel Base Between Intermediate Axle And Rear Axle 1310mm
10	29A2D-09021	1	推力杆垫板 Distance Rod Mat Plate			中后桥轴距 1310mm 车型 Model W/Wheel Base Between Intermediate Axle And Rear Axle 1310mm
11	29AD-09017	1	推力杆支架 Distance Rod Bracket			中后桥轴距 1310mm 车型 Model W/Wheel Base Between Intermediate Axle And Rear Axle 1310mm
12	29AD-09016	1	推力杆垫板 Distance Rod Mat Plate			中后桥轴距 1310mm 车型 Model W/Wheel Base Between Intermediate Axle And Rear Axle 1310mm

推力杆装置图 I / DISTANCE ROD I

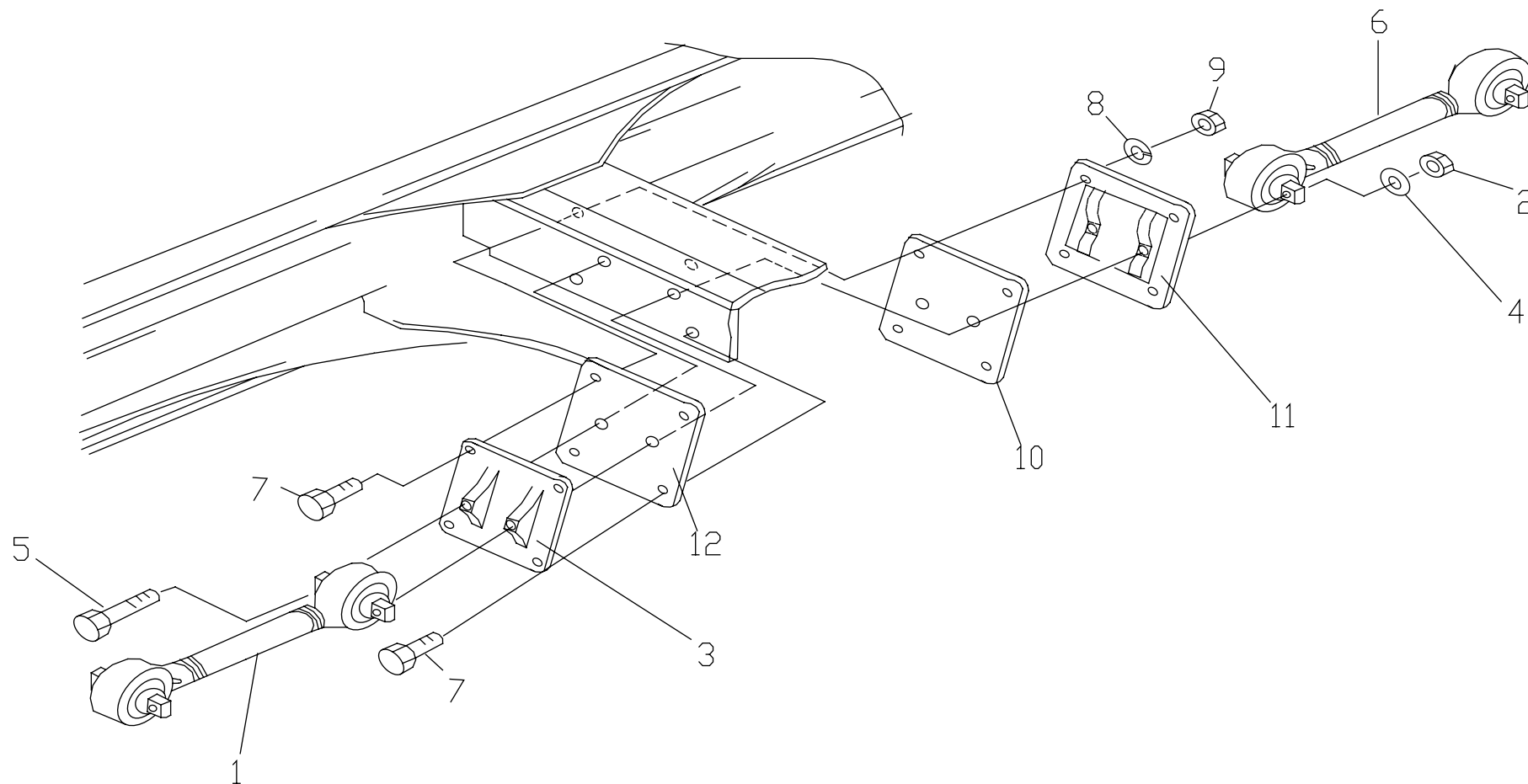
29-AB



序号 No.	件号 Part No.	数量 Quantity	名称 Name	规格 Specification	适用产品 Products Applied	备注 Remark
1	29A3D-09010	1	推力杆 Distance Rod			中后桥轴距 1310mm 车型 Model W/Wheel Base Between Intermediate Axle And Rear Axle 1310mm
2	Q341B18 T13F3	2	六角螺母 Hexagon Nut			中后桥轴距 1310mm 车型 Model W/Wheel Base Between Intermediate Axle And Rear Axle 1310mm
3	29AD-09017	1	推力杆支架 Distance Rod Bracket			中后桥轴距 1310mm 车型 Model W/Wheel Base Between Intermediate Axle And Rear Axle 1310mm
4	Q41918	2	锥形弹性垫圈 Conical Spring Washer			中后桥轴距 1310mm 车型 Model W/Wheel Base Between Intermediate Axle And Rear Axle 1310mm
5	29AD-09111	2	六角螺栓 Hexagon Bolt			中后桥轴距 1310mm 车型 Model W/Wheel Base Between Intermediate Axle And Rear Axle 1310mm
6	29A3D-09030	1	推力杆 Distance Rod			中后桥轴距 1310mm 车型 Model W/Wheel Base Between Intermediate Axle And Rear Axle 1310mm

推力杆装置图 I / DISTANCE ROD I

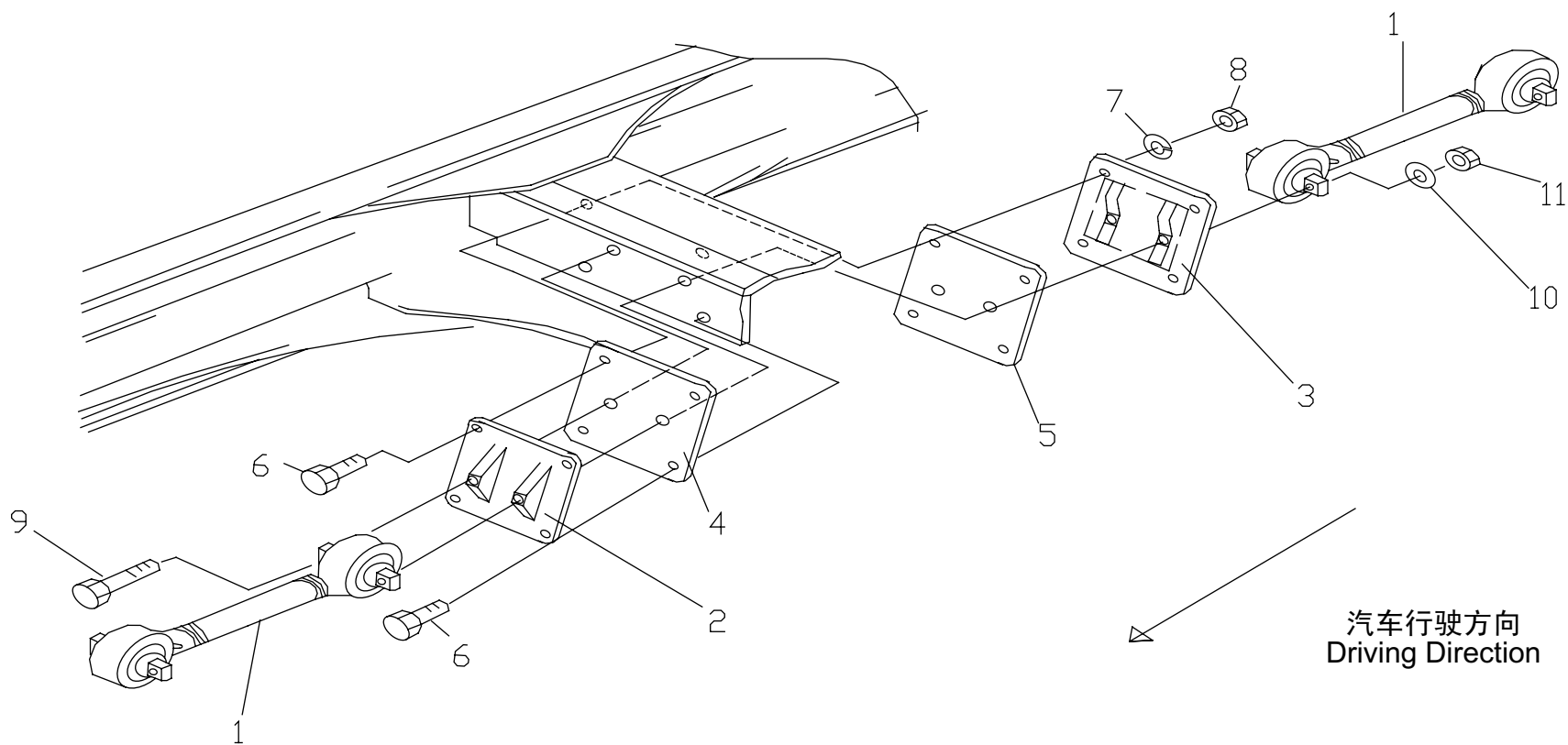
29-AB



序号 No.	件号 Part No.	数量 Quantity	名称 Name	规格 Specification	适用产品 Products Applied	备注 Remark
7	Q151B1480	4	六角螺栓 Hexagon Bolt			中后桥轴距 1310mm 车型 Model W/Wheel Base Between Intermediate Axle And Rear Axle 1310mm
8	Q40514	4	弹簧垫圈 Spring Washer			中后桥轴距 1310mm 车型 Model W/Wheel Base Between Intermediate Axle And Rear Axle 1310mm
9	Q341B14	4	六角螺母 Hexagon Nut			中后桥轴距 1310mm 车型 Model W/Wheel Base Between Intermediate Axle And Rear Axle 1310mm
10	29A2D-09021	1	推力杆垫板 Distance Rod Mat Plate			中后桥轴距 1310mm 车型 Model W/Wheel Base Between Intermediate Axle And Rear Axle 1310mm
11	29AD-09017	1	推力杆支架 Distance Rod Bracket			中后桥轴距 1310mm 车型 Model W/Wheel Base Between Intermediate Axle And Rear Axle 1310mm
12	29AD-09016	1	推力杆垫板 Distance Rod Mat Plate			中后桥轴距 1310mm 车型 Model W/Wheel Base Between Intermediate Axle And Rear Axle 1310mm

推力杆装置图 II / DISTANCE ROD II

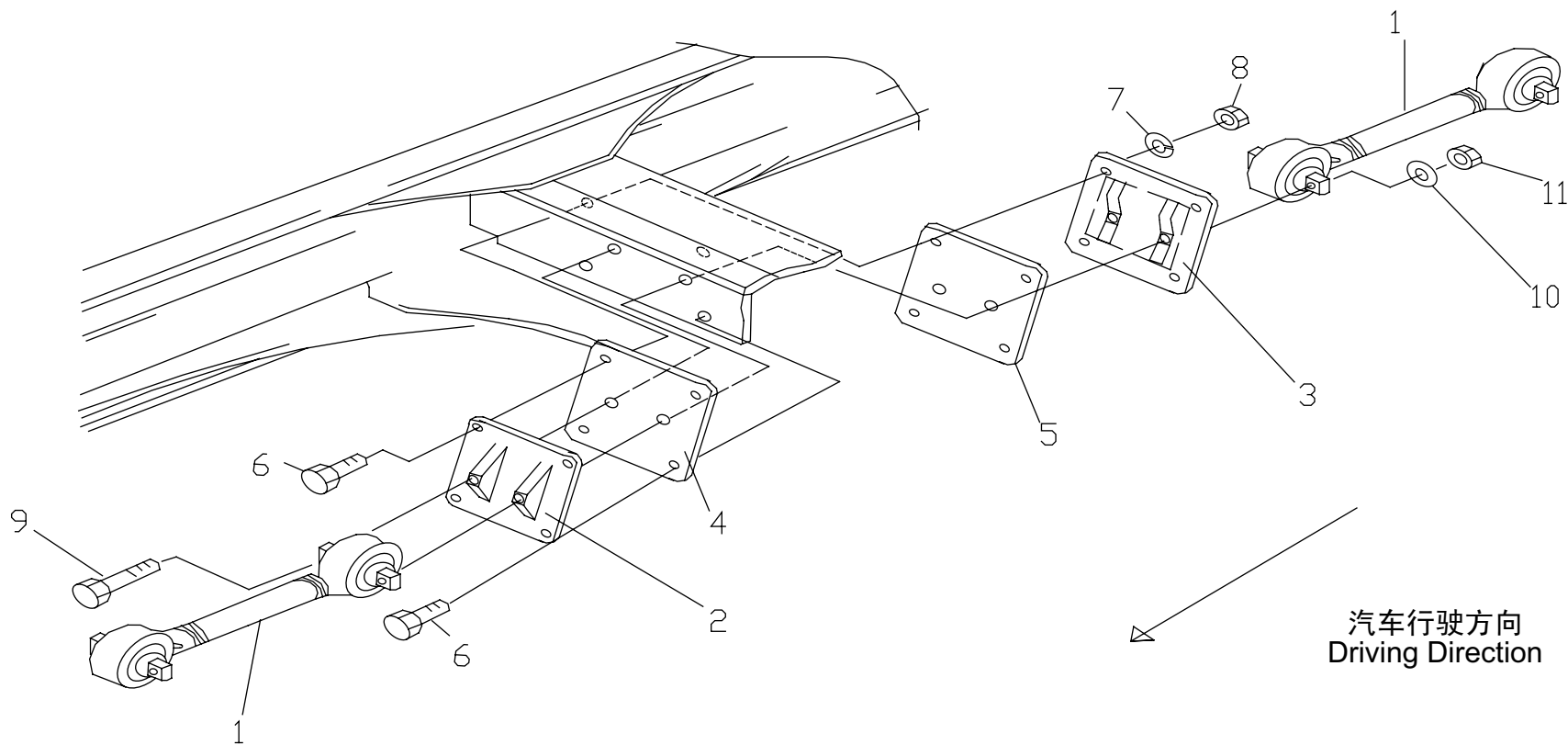
29-AC



序号 No.	件号 Part No.	数量 Quantity	名称 Name	规格 Specification	适用产品 Products Applied	备注 Remark
1	29AH4D-09410	2	推力杆 Distance Rod	长 585mm 585mm Long		
2	29AHD-09437	1	推力杆支架 Distance Rod Bracket	高 86mm 86mm High	斯太尔发动机配 STEYR 桥 STEYR Engine And STEYR Axle	中后桥轴距 1350mm 车型 Model W/Wheel Base Between Intermediate Axle And Rear Axle 1350mm
					斯太尔发动机配 457 桥 STEYR Engine And 457-Axle	
	29AH4D-09437	1	推力杆支架 Distance Rod Bracket	高 96mm 96mm High	康明斯发动机配 STEYR 桥 CUMMINS Engine And STEYR Axle	
					日野发动机配 STEYR 桥 HINO Engine And STEYR Axle	
3	29AH4D-09437	1	推力杆支架 Distance Rod Bracket	高 96mm 96mm High	康明斯发动机配 457 桥 CUMMINS Engine And 457-Axle	中后桥轴距 1350mm 车型 Model W/Wheel Base Between Intermediate Axle And Rear Axle 1350mm
					日野发动机配 457 桥 HINO Engine And 457-Axle	
	29AH19D-09437	1	推力杆支架 Distance Rod Bracket	高 105mm 105mm High	康明斯发动机配 STEYR 桥 CUMMINS Engine And STEYR Axle	
	29AD-09437	1	推力杆支架 Distance Rod Bracket	高 70mm 70mm High	斯太尔发动机配 457 桥 STEYR Engine And 457-Axle	
	29AH2D-09437	1	推力杆支架 Distance Rod Bracket	高 80mm 80mm High	康明斯发动机配 457 桥 CUMMINS Engine And 457-Axle	
	29AHD-09437	1	推力杆支架 Distance Rod Bracket	高 86mm 86mm High	日野发动机配 457 桥 HINO Engine And 457-Axle	

推力杆装置图 II / DISTANCE ROD II

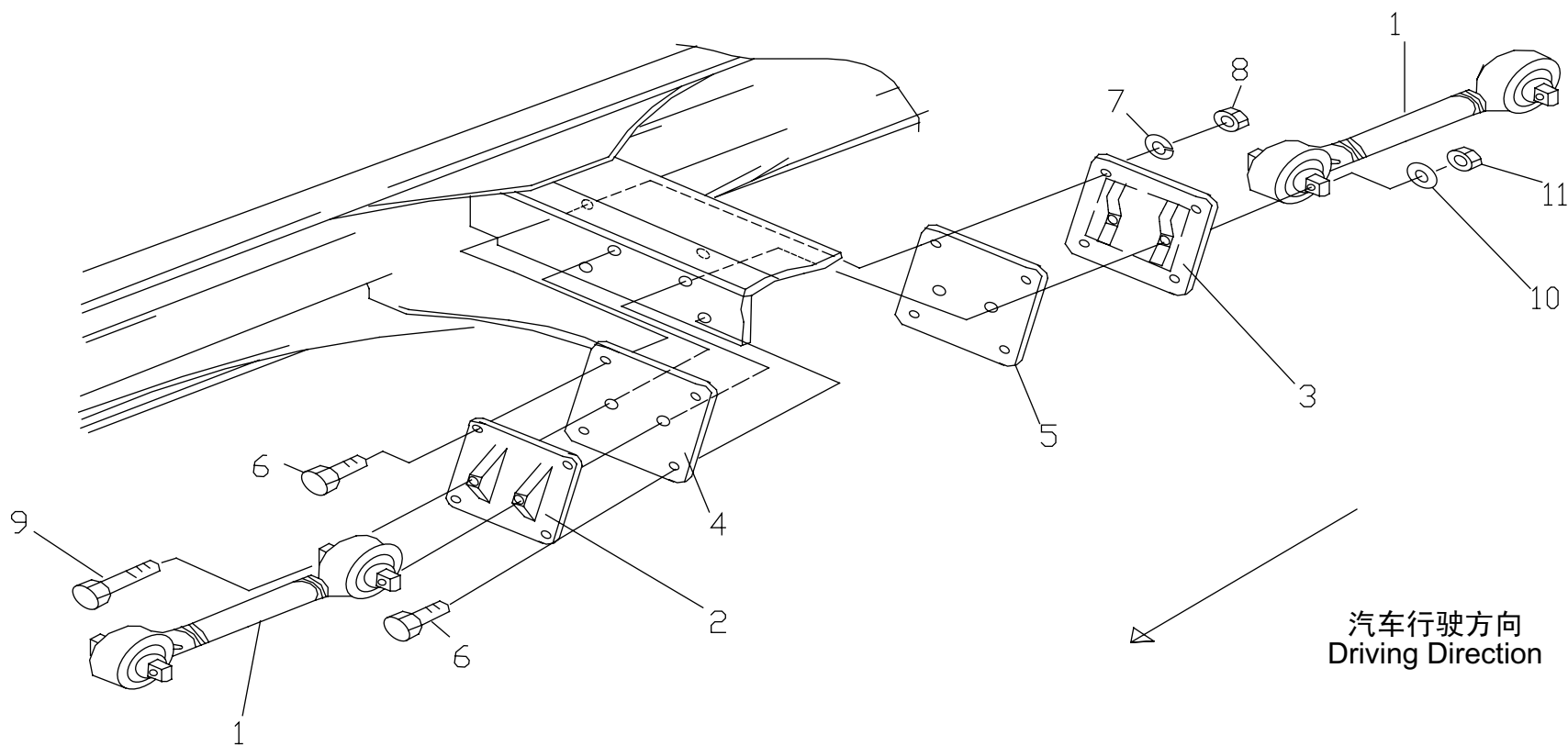
29-AC



序号 No.	件号 Part No.	数量 Quantity	名称 Name	规格 Specification	适用产品 Products Applied	备注 Remark
4	29A4D-09421	1	推力杆垫板 Distance Rod Mat Plate	厚 4mm 4mm Thick	斯太尔发动机配 STEYR 桥 STEYR Engine And STEYR Axle	中后桥轴距 1350mm 车型 Model W/Wheel Base Between Intermediate Axle And Rear Axle 1350mm
					康明斯发动机配 STEYR 桥 CUMMINS Engine And STEYR Axle	
					斯太尔发动机配 457 桥 STEYR Engine And 457-Axle	
4	29AHD-09421	1	推力杆垫板 Distance Rod Mat Plate	厚 8mm 8mm Thick	康明斯发动机配 457 桥 CUMMINS Engine And 457-Axle	中后桥轴距 1350mm 车型 Model W/Wheel Base Between Intermediate Axle And Rear Axle 1350mm
					日野发动机配 STEYR 桥 HINO Engine And STEYR Axle	
4	29AHD-09421	1	推力杆垫板 Distance Rod Mat Plate	厚 8mm 8mm Thick	日野发动机配 457 桥 HINO Engine And 457-Axle	
5	29AHD-09421	1	推力杆垫板 Distance Rod Mat Plate	厚 8mm 8mm Thick	斯太尔发动机配 STEYR 桥 STEYR Engine And STEYR Axle	中后桥轴距 1350mm 车型 Model W/Wheel Base Between Intermediate Axle And Rear Axle 1350mm
					日野发动机配 STEYR 桥 HINO Engine And STEYR Axle	
					斯太尔发动机配 457 桥 STEYR Engine And 457-Axle	
5	29A4D-09421	1	推力杆垫板 Distance Rod Mat Plate	厚 4mm 4mm Thick	康明斯发动机配 STEYR 桥 CUMMINS Engine And STEYR Axle	中后桥轴距 1350mm 车型 Model W/Wheel Base Between Intermediate Axle And Rear Axle 1350mm
					康明斯发动机配 457 桥 CUMMINS Engine And 457-Axle	
					日野发动机配 457 桥 HINO Engine And 457-Axle	
6	Q151B1485	4	六角螺栓 Hexagon Bolt			中后桥轴距 1350mm 车型 Model W/Wheel Base Between Intermediate Axle And Rear Axle 1350mm

推力杆装置图 II / DISTANCE ROD II

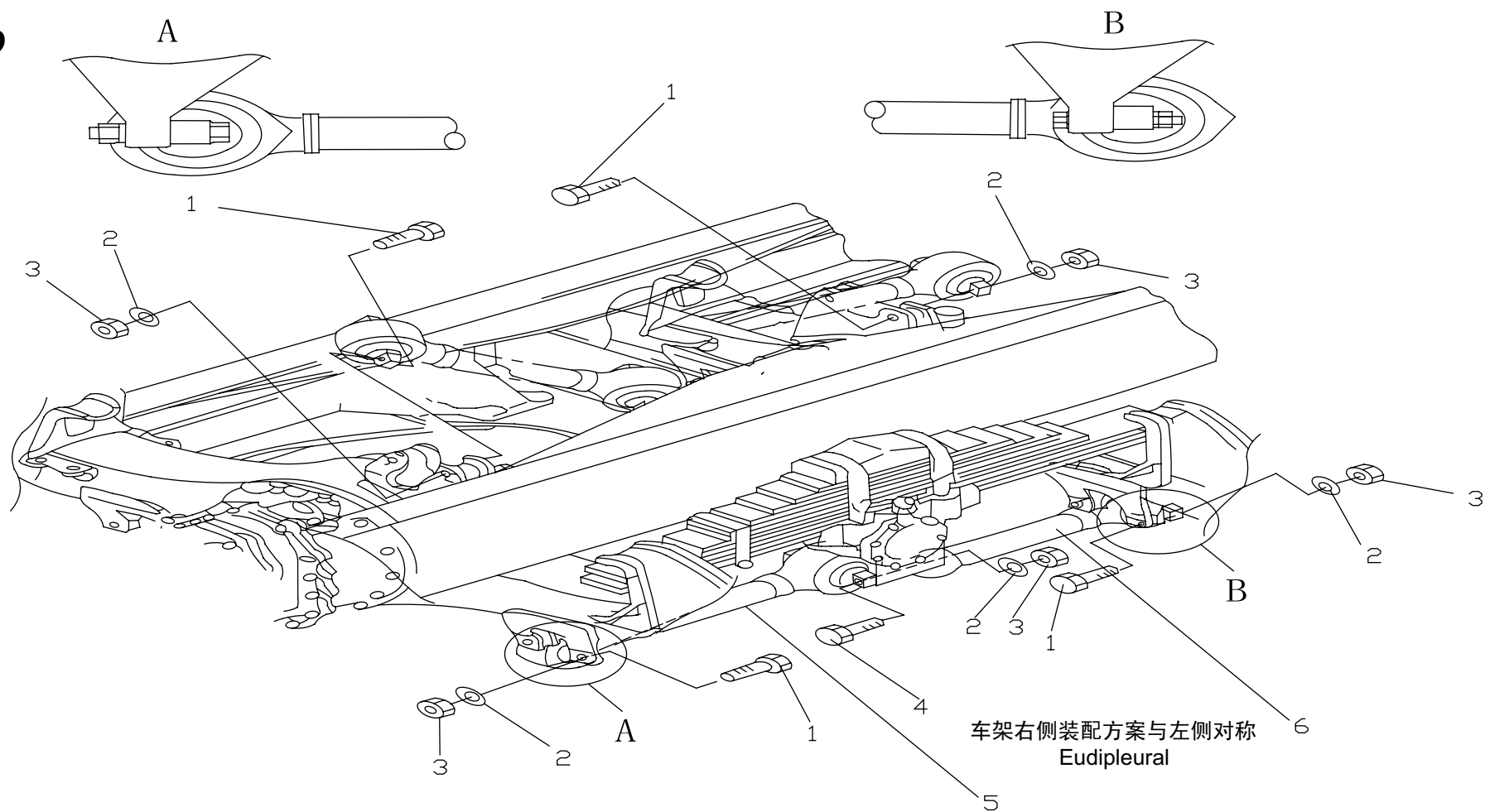
29-AC



序号 No.	件号 Part No.	数量 Quantity	名称 Name	规格 Specification	适用产品 Products Applied	备注 Remark
7	Q40514	4	弹簧垫圈 Spring Washer			中后桥轴距 1350mm 车型 Model W/Wheel Base Between Intermediate Axle And Rear Axle 1350mm
8	Q341B14	4	六角螺母 Hexagon Nut			中后桥轴距 1350mm 车型 Model W/Wheel Base Between Intermediate Axle And Rear Axle 1350mm
9	29A20D-49113	2	六角螺栓 Hexagon Bolt	M20X1.5X295	斯太尔发动机配 STEYR 桥 STEYR Engine And STEYR Axle	中后桥轴距 1350mm 车型 Model W/Wheel Base Between Intermediate Axle And Rear Axle 1350mm
					康明斯发动机配 457 桥 CUMMINS Engine And 457-Axle	
					日野发动机配 457 桥 HINO Engine And 457-Axle	
	29A16D-49112	2	六角螺栓 Hexagon Bolt	M20X1.5X310	康明斯发动机配 STEYR 桥 CUMMINS Engine And STEYR Axle	
					日野发动机配 STEYR 桥 HINO Engine And STEYR Axle	
	29A46D-49112	2	六角螺栓 Hexagon Bolt	M20X1.5X260	斯太尔发动机配 457 桥 STEYR Engine And 457-Axle	
10	Q41920	2	锥形弹性垫圈 Conical Spring Washer			中后桥轴距 1350mm 车型 Model W/Wheel Base Between Intermediate Axle And Rear Axle 1350mm
11	Q341B20T13F3	2	六角螺母 Hexagon Nut			中后桥轴距 1350mm 车型 Model W/Wheel Base Between Intermediate Axle And Rear Axle 1350mm

推力杆装置图III / DISTANCE ROD III

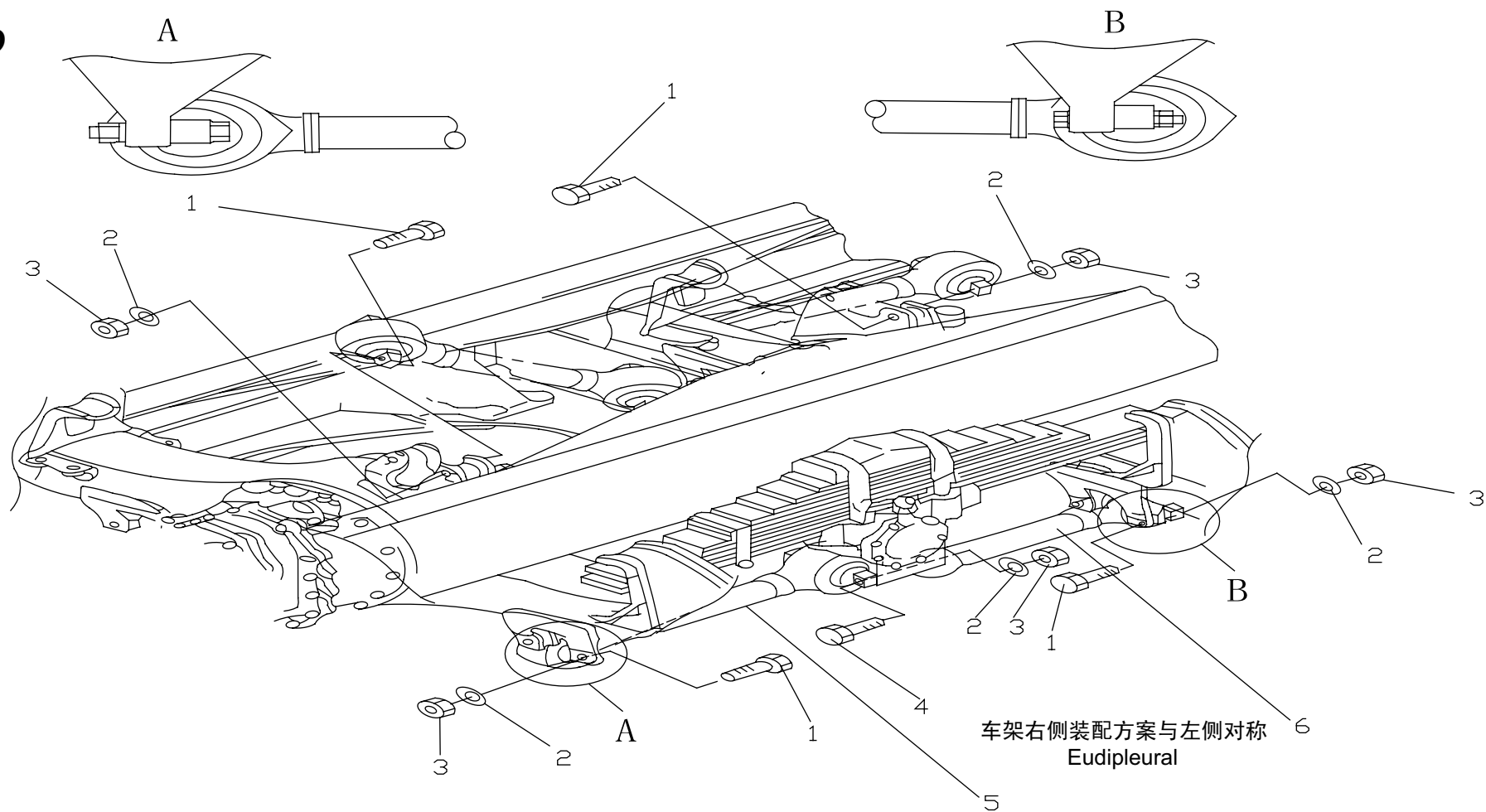
29-AD



序号 No.	件号 Part No.	数量 Quantity	名称 Name	规格 Specification	适用产品 Products Applied	备注 Remark
1	29AD-09113	12	六角螺栓 Hexagon Bolt			中后桥轴距 1310mm 车型 Model W/Wheel Base Between Intermediate Axle And Rear Axle 1310mm
2	Q41918	16	锥形弹性垫圈 Conical Spring Washer			中后桥轴距 1310mm 车型 Model W/Wheel Base Between Intermediate Axle And Rear Axle 1310mm
3	Q341B18 T13F3	16	六角螺母 Hexagon Nut			中后桥轴距 1310mm 车型 Model W/Wheel Base Between Intermediate Axle And Rear Axle 1310mm
4	29AD-09111	4	六角螺栓 Hexagon Bolt			中后桥轴距 1310mm 车型 Model W/Wheel Base Between Intermediate Axle And Rear Axle 1310mm
5	29A3D-09010	2	推力杆 Distance Rod		康明斯发动机配斯太尔桥、457 或 435 桥 斯太尔发动机配 457 桥或 435 桥 CUMMINS Engine And STEYR/457/435- Axle STEYR Engine And 457/435-Axle	中后桥轴距 1310mm 车型 Model W/Wheel Base Between Intermediate Axle And Rear Axle 1310mm
5	29AD-09010	2	推力杆 Distance Rod		斯太尔发动机配斯太尔桥双后桥车型 STEYR Engine And STEYR Dual Rear Axle	中后桥轴距 1310mm 车型 Model W/Wheel Base Between Intermediate Axle And Rear Axle 1310mm
6	29A2D-09420	2	推力杆 Distance Rod		康明斯、斯太尔发动机配斯太尔桥 CUMMINS, STEYR Engine And STEYR Axle	中后桥轴距 1310mm 车型 Model W/Wheel Base Between Intermediate Axle And Rear Axle 1310mm

推力杆装置图III / DISTANCE ROD III

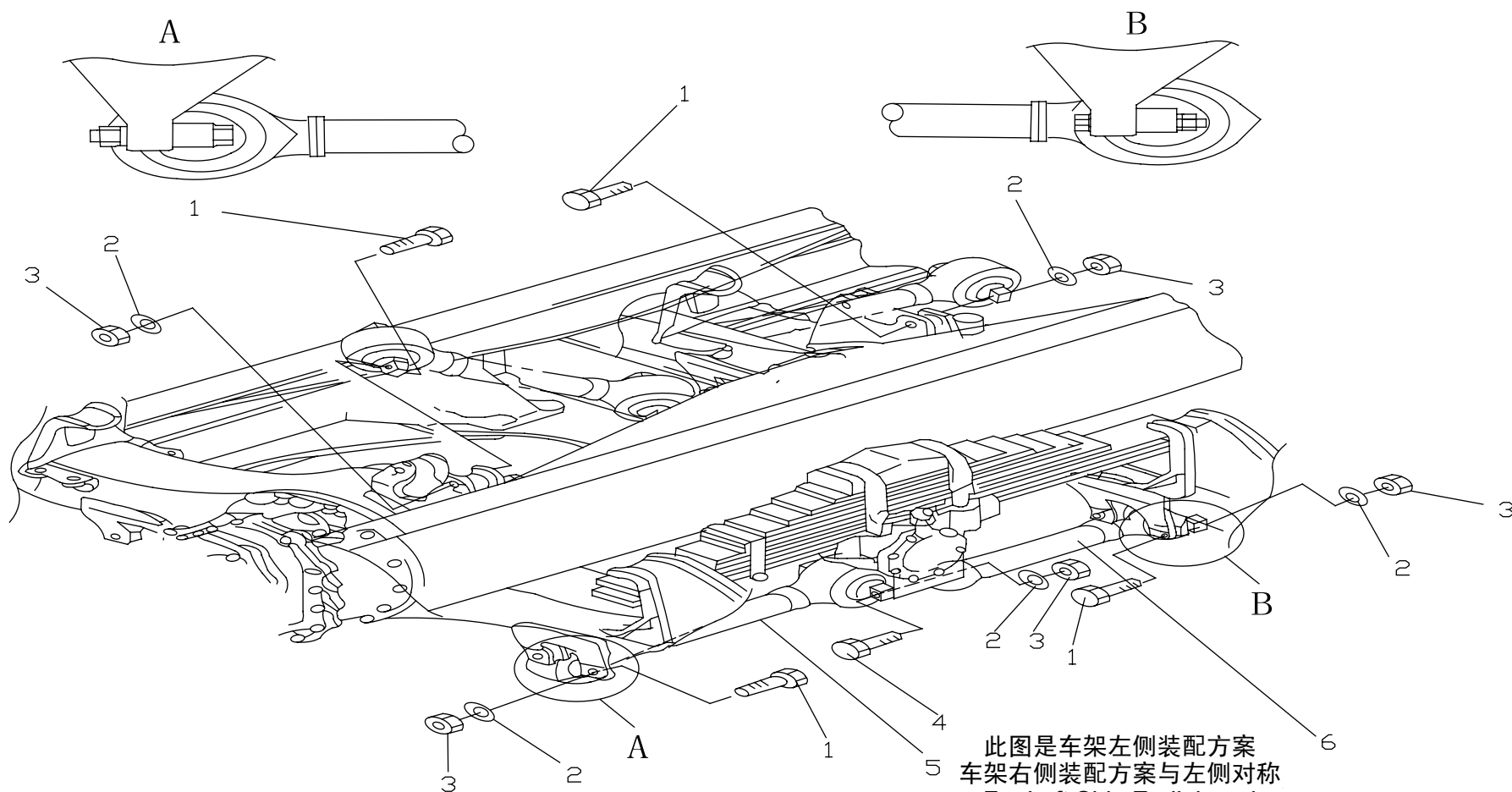
29-AD



序号 No.	件号 Part No.	数量 Quantity	名称 Name	规格 Specification	适用产品 Products Applied	备注 Remark
6	29A3D-09030	2	推力杆 Distance Rod		康明斯发动机配 457 桥 CUMMINS Engine And 457-Axle 斯泰尔发动机配 435 桥 STEYR Engine And 435-Axle	中后桥轴距 1310mm 车型 Model W/Wheel Base Between Intermediate Axle And Rear Axle 1310mm
6	29A4D-09020	2	推力杆 Distance Rod		康明斯发动机配 435 桥双后桥车型 CUMMINS Engine And 435 Dual Rear Axle	中后桥轴距 1310mm 车型 Model W/Wheel Base Between Intermediate Axle And Rear Axle 1310mm
6	29AD-09020	2	推力杆 Distance Rod		斯太尔发动机配 457 桥双后桥车型 STEYR Engine And 457Dual Rear Axle	中后桥轴距 1310mm 车型 Model W/Wheel Base Between Intermediate Axle And Rear Axle 1310mm

推力杆装置图IV / DISTANCE ROD IV

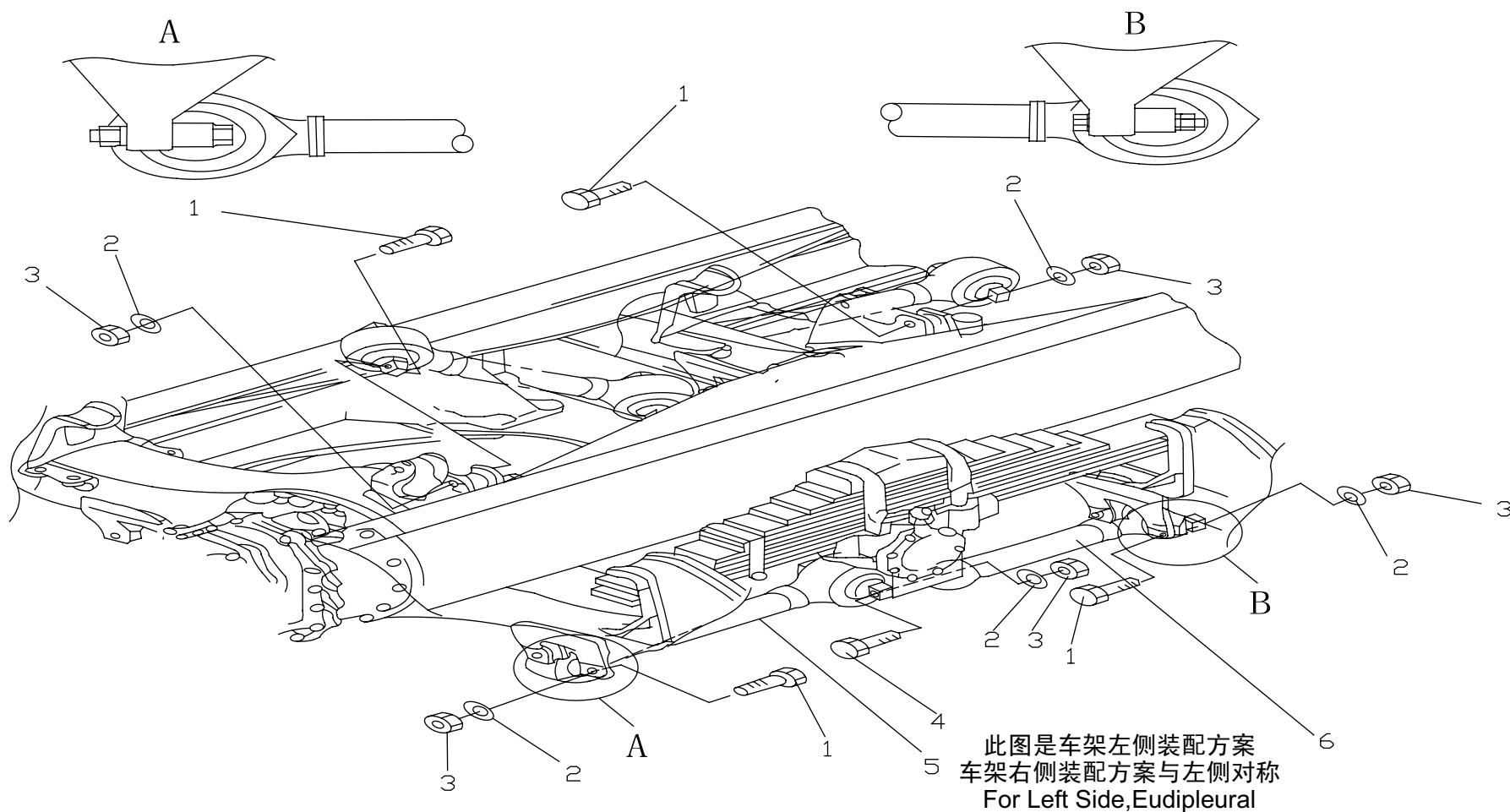
29-AE



序号 No.	件号 Part No.	数量 Quantity	名称 Name	规格 Specification	适用产品 Products Applied	备注 Remark
1	Q151B2090TF3	12	六角螺栓 Hexagon Bolt			中后桥轴距 1350mm 车型 W/Model W/Wheel Base Between Intermediate Axle And Rear Axle 1350mm
2	Q41920	16	锥形弹性垫圈 Conical Spring Washer			中后桥轴距 1350mm 车型 W/Model W/Wheel Base Between Intermediate Axle And Rear Axle 1350mm
3	Q341B20T13F3	16	六角螺母 Hexagon Nut			中后桥轴距 1350mm 车型 W/Model W/Wheel Base Between Intermediate Axle And Rear Axle 1350mm
4	29A20D-49112	4	六角螺栓 Hexagon Bolt	M20X1.5X245		中后桥轴距 1350mm 车型 W/Model W/Wheel Base Between Intermediate Axle And Rear Axle 1350mm
5	29AH4D-09450	2	推力杆 Distance Rod	长 616mm (偏 17°) 616mm Long (Deviate 17°)	斯太尔发动机配 STEYR 桥 W/STEYR Engine And STEYR Axle 康明斯发动机配 STEYR 桥 W/CUMMINS Engine And STEYR Axle 斯太尔发动机配 457 桥 W/STEYR Engine And 457-Axle 康明斯发动机配 457 桥 W/CUMMINS Engine And 457-Axle 日野发动机配 457 桥 W/HINO Engine And 457-Axle	中后桥轴距 1350mm 车型 W/Model W/Wheel Base Between Intermediate Axle And Rear Axle 1350mm
	29AHD-09460	2	推力杆 Distance Rod	长 610mm (偏 17°) 610mm Long (Deviate 17°)	日野发动机配 STEYR 桥 W/HINO Engine And STEYR Axle	

推力杆装置图IV / DISTANCE ROD IV

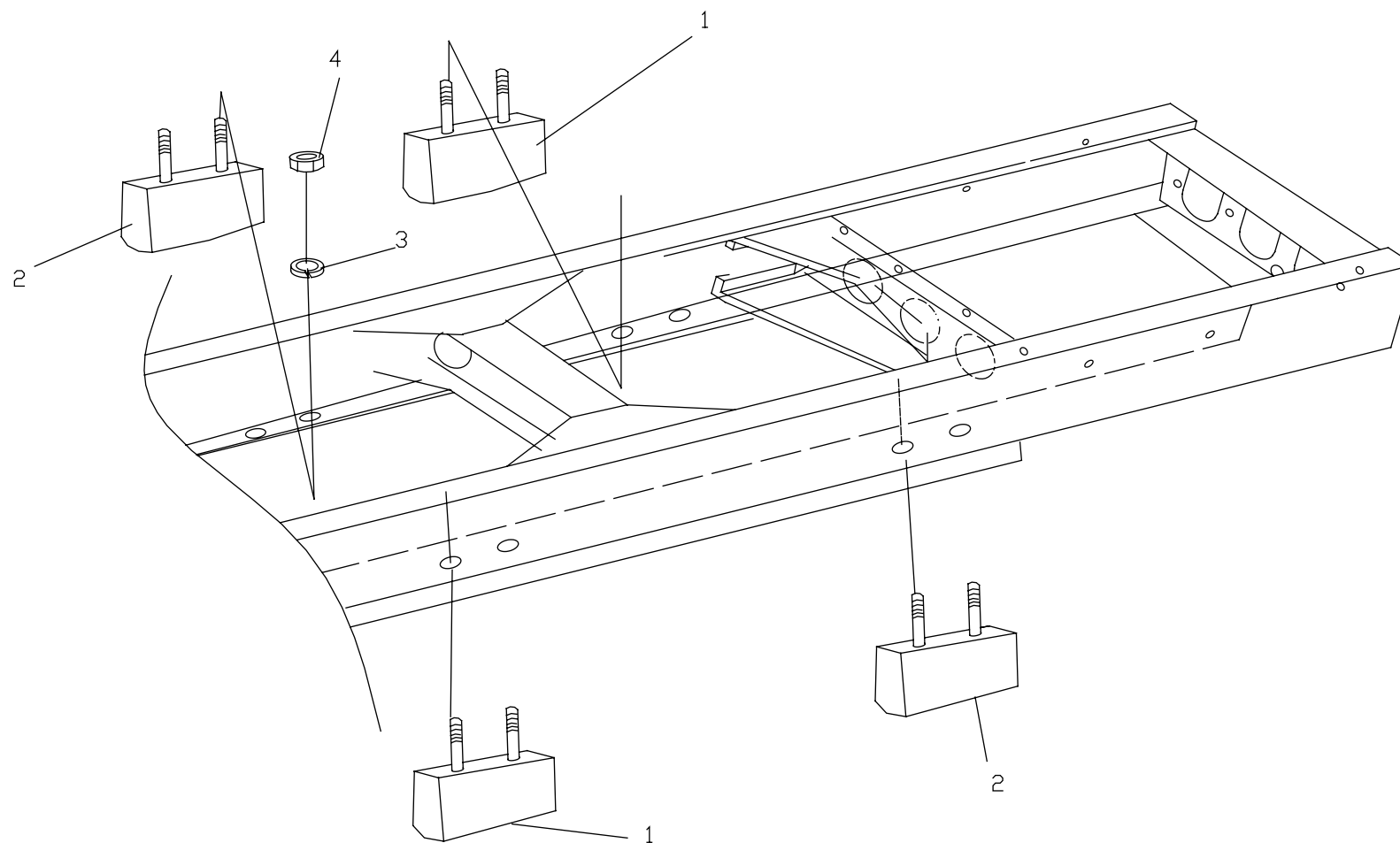
29-AE



序号 No.	件号 Part No.	数量 Quantity	名称 Name	规格 Specification	适用产品 Products Applied	备注 Remark
6	29AHD-09460	2	推力杆 Distance Rod	长 610mm (偏 17°) 610mm Long (Deviate 17°)	斯太尔发动机配 STEYR 桥 STEYR Engine And STEYR Axle	中后桥轴距 1350mm 车型 Model W/Wheel Base Between Intermediate Axle And Rear Axle 1350mm
					康明斯发动机配 STEYR 桥 CUMMINS Engine And STEYR Axle	
					日野发动机配 STEYR 桥 HINO Engine And STEYR Axle	
	29AH4D-09460	2	推力杆 Distance Rod	长 590mm (偏 17°) 590mm Long (Deviate 17°)	康明斯发动机配 457 桥 CUMMINS Engine And 457-Axle	
					日野发动机配 457 桥 HINO Engine And 457-Axle	
	29AH2D-09460	2	推力杆 Distance Rod	长 595mm (偏 17°) 595mm Long (Deviate 17°)	斯太尔发动机配 457 桥 STEYR Engine And 457-Axle	

限位块装置图 I / LIMITING STOPPER I

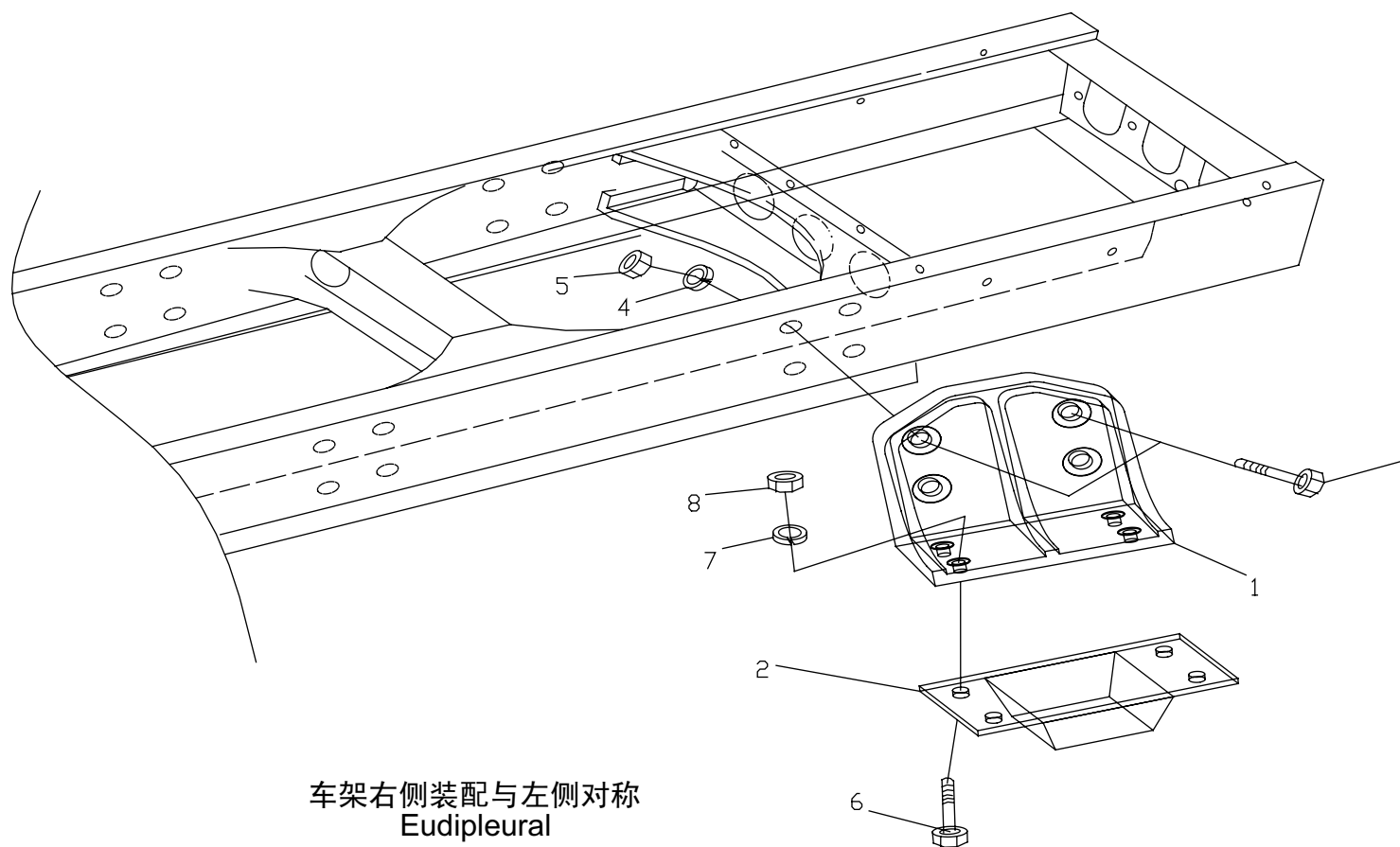
29-AF



序号 No.	件号 Part No.	数量 Quantity	名称 Name	规格 Specification	适用产品 Products Applied	备注 Remark
1	29AD-20050	2	限位块 Limiting Stopper			中后桥轴距 1310mm 车型 Model W/Wheel Base Between Intermediate Axle And Rear Axle 1310mm
2	29AD-20030	2	限位块 Limiting Stopper			中后桥轴距 1310mm 车型 Model W/Wheel Base Between Intermediate Axle And Rear Axle 1310mm
3	Q40512	8	弹性垫圈 Spring Washer			
4	Q341B12	8	六角螺母 Hexagon Nut			

限位块装置图 II / LIMITING STOPPER II

29-AG



序号 No.	件号 Part No.	数量 Quantity	名称 Name	规格 Specification	适用产品 Products Applied	备注 Remark
1	29AHD-20435	4	限位块支架 Limiting Stopper Bracket			中后桥轴距 1350mm 车型 Model W/Wheel Base Between Intermediate Axle And Rear Axle 1350mm
2	29AHD-20030	4	限位块 Limiting Stopper			中后桥轴距 1350mm 车型 Model W/Wheel Base Between Intermediate Axle And Rear Axle 1350mm
3	Q150B1455	16	六角螺栓 Hexagon Bolt			
4	Q40314	16	弹性垫圈 Spring Washer			
5	Q340B14	16	六角螺母 Hexagon Nut			
6	Q150B0830	16	六角螺栓 Hexagon Bolt			
7	Q40308	16	弹性垫圈 Spring Washer			
8	Q340B08	16	六角螺母 Hexagon Nut			

30

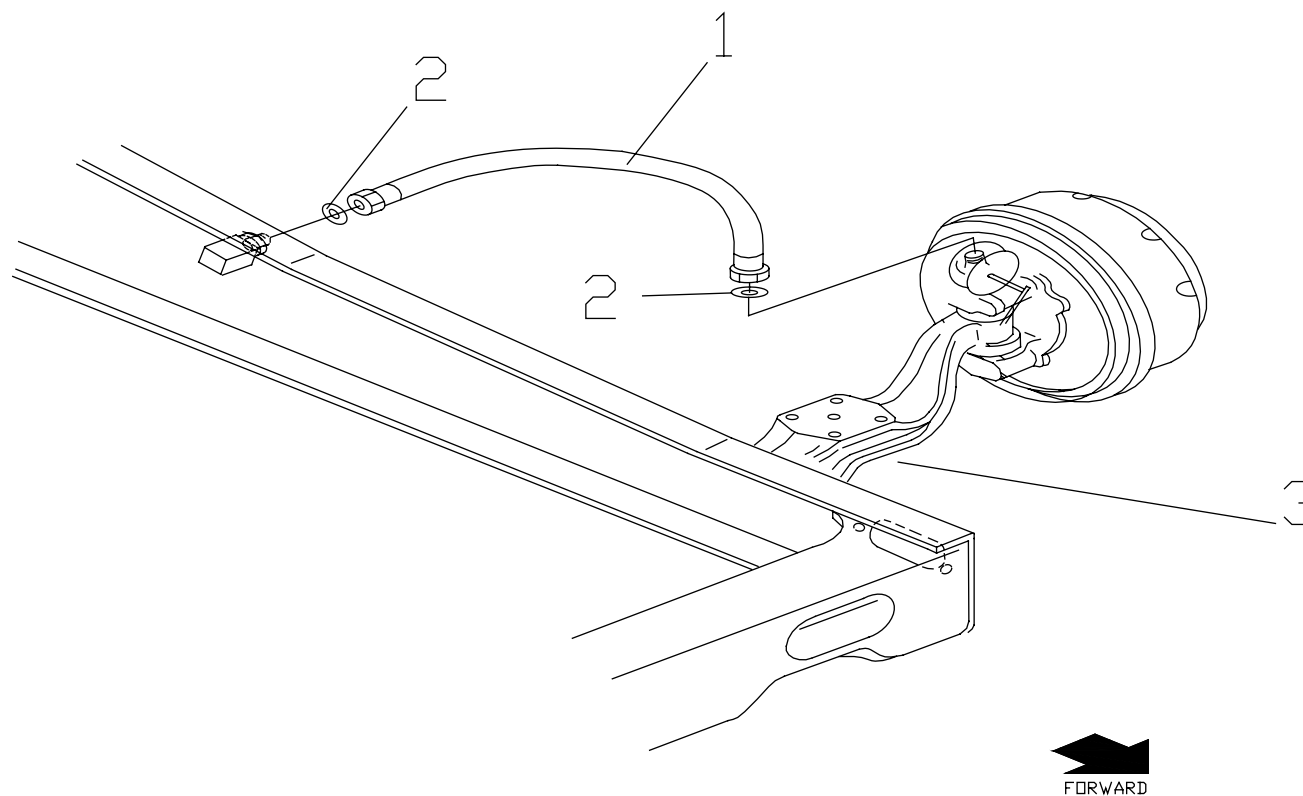
前轴系统

FRONT AXLE

SYSTEM

解放前轴管路图 / JIEFANG FRONT AXLE LINE

30-A



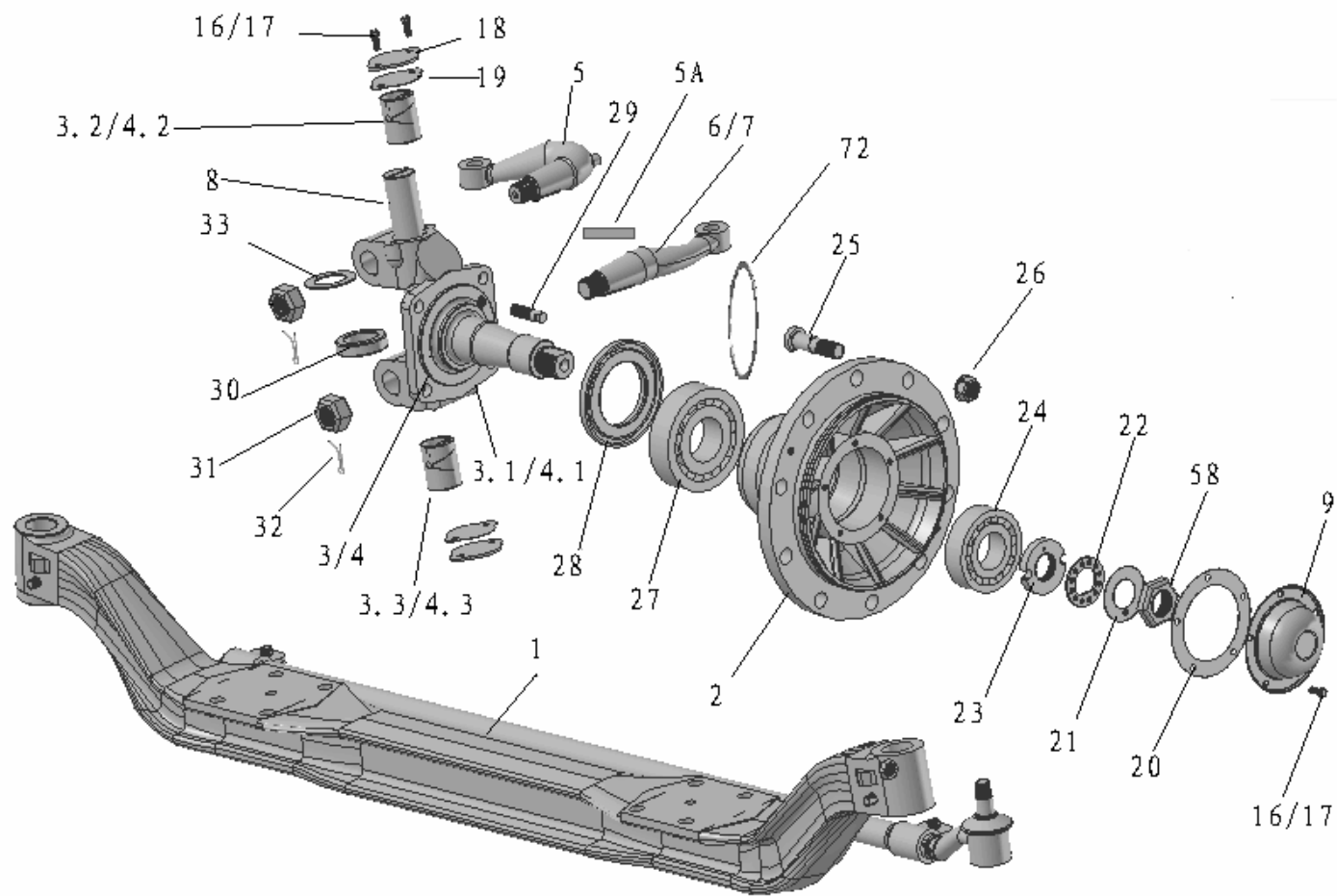
前轴系统 / FRONT AXLE SYSTEM

30-2

序号 No.	件号 Part No.	数量 Quantity	名称 Name	规格 Specification	适用产品 Products Applied	备注 Remark
1	35AD-06035	2	橡胶管总成 Rubber Tube Assembly			左右各一根 One On Each Side
2	Q72314	4	密封垫圈 Seal Washer			
3	3000AD-010	1	前轴 Front Axle			

解放前轴展开图 / JIEFANG FRONT AXLE

30-B



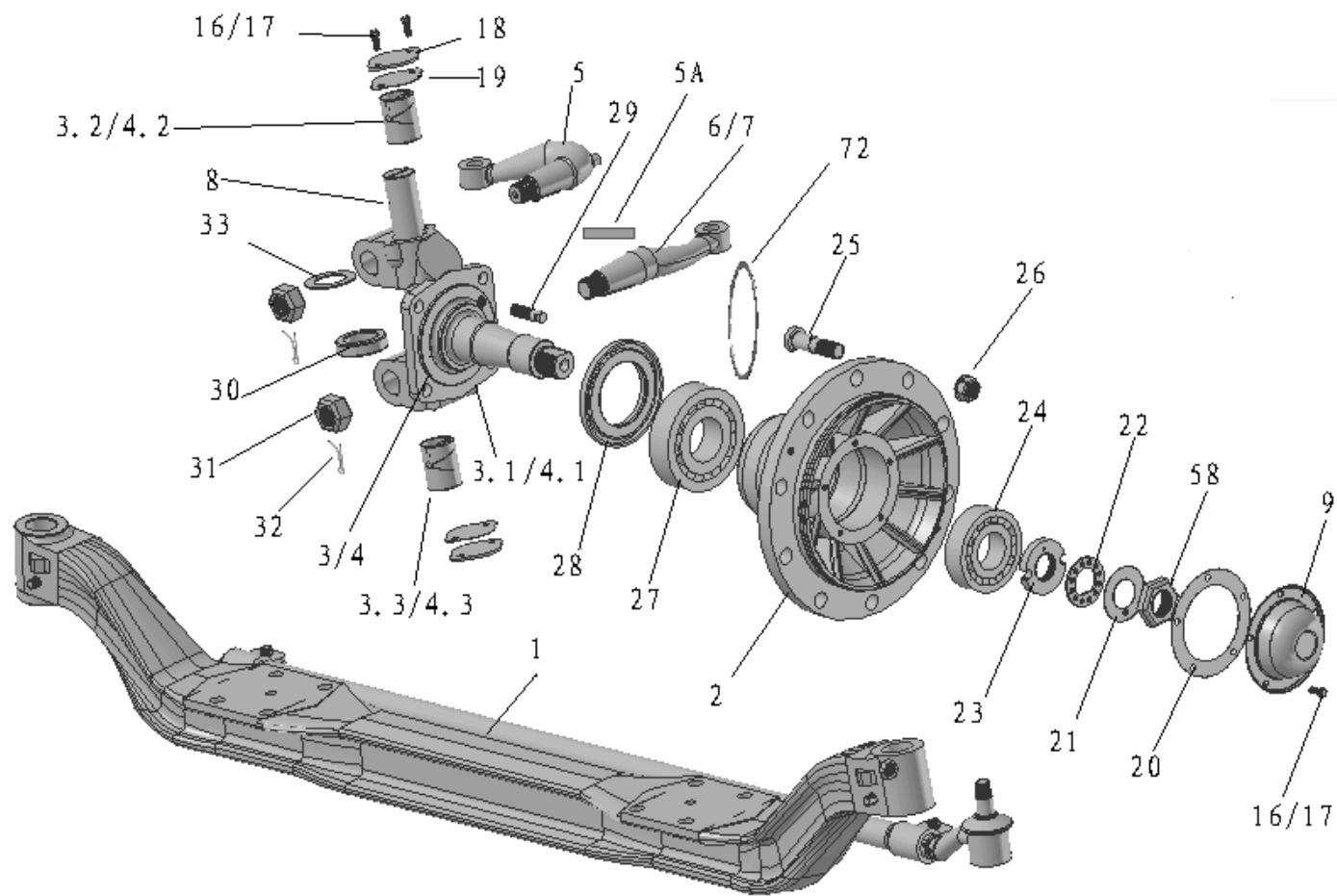
前轴系统 / FRONT AXLE SYSTEM

30-4

序号 No.	件号 Part No.	数量 Quantity	名称 Name	规格 Specification	适用产品 Products Applied	备注 Remark
1	3001011-4E	1	前轴 Front Axle	457		
2	3103011-Q184	2	前轮毂 Front Hub			
3	3001050-Q184	1	左转向节及衬套总成 Steering Knuckle LH And Bushing Assembly			
3.1	3001021-Q184	1	左转向节 Steering Knuckle LH			
3.2	3001026-4E	2	衬套 - 转向节 Bushing-Steering Knuckle			
4	3001020-Q184	1	右转向节及衬套总成 Steering Knuckle RH And Bushing Assembly			
4.1	3001022-Q184	1	右转向节 Steering Knuckle RH			
4.2	3001026-4E	2	衬套 - 转向节 Bushing-Steering Knuckle			
5	3001034-A1H	1	转向节上臂 Steering Knuckle Upper Arm			
5A	Q5510832	3	键 Key			
6	3001031-A1H	1	左转向节臂 Steering Knuckle Arm LH			
7	3001032-A1H	1	右转向节臂 Steering Knuckle Arm RH			
8	3001044-4E	2	主销 King Pin			
9	3103066-4E	2	盖 - 前轮轮毂 Cover-Front Wheel Hub			

解放前轴展开图 / JIEFANG FRONT AXLE

30-B



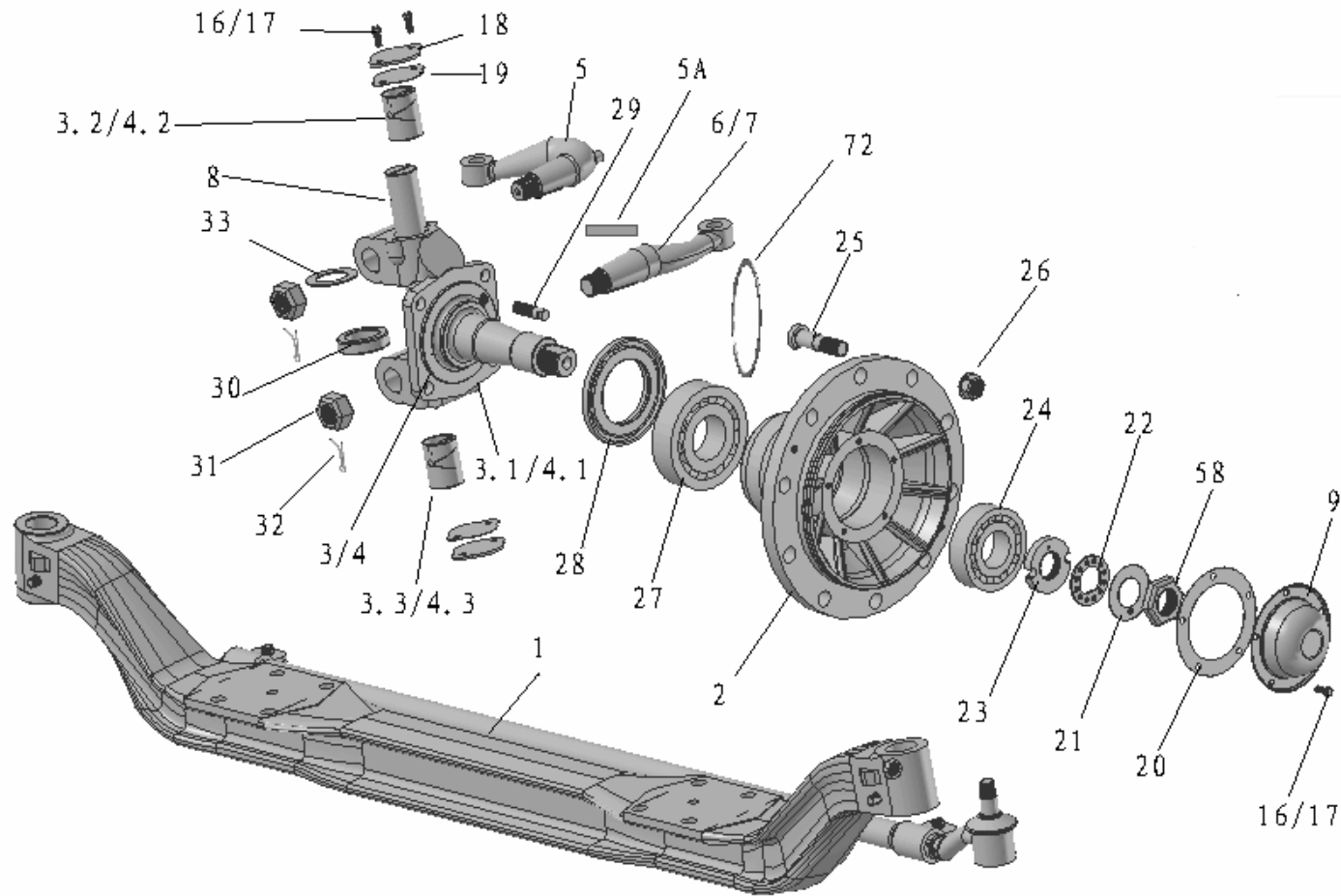
前轴系统 / FRONT AXLE SYSTEM

30-6

序号 No.	件号 Part No.	数量 Quantity	名称 Name	规格 Specification	适用产品 Products Applied	备注 Remark
10	3501571-Q184	2	前制动鼓 Front Brake Drum			
11.1	3501390-4E	4	前制动蹄片总成 Front Brake Shoe Assembly			
11.1.1	3501391-4E	4	前制动蹄 Front Brake Shoe			
11.1.2	3502407-02	8	前制动摩擦片 Front Brake Lining			
11.1.3	3501408-4E	48	铆钉 Rivet			
11.1.4	3501396-4E	4	衬套 - 制动蹄 Bushing- Brake Shoe			
11.2	3501397-02	4	滚轮 - 制动蹄 Roller-Brake Shoe			
11.3	3501398-02	4	滚轮轴 - 制动蹄 Roller Shaft-Brake Shoe			
11.4	3501393-4E	4	弹簧挂销 Spring Hanger Pin			
12	3501015-4E	1	前左制动底板总成 Front Brake Bottom Plate Assembly LH			
12.1	3501021-4E	1	前左制动底板 Front Brake Bottom Plate LH			
12.2	3501129-02	2	衬套 Bushing			
13	3501020-4E	1	前右制动底板总成 Front Brake Bottom Plate Assembly RH			
13.1	3501022-4E	1	前右制动底板 Front Brake Bottom Plate RH			

解放前轴展开图 / JIEFANG FRONT AXLE

30-B



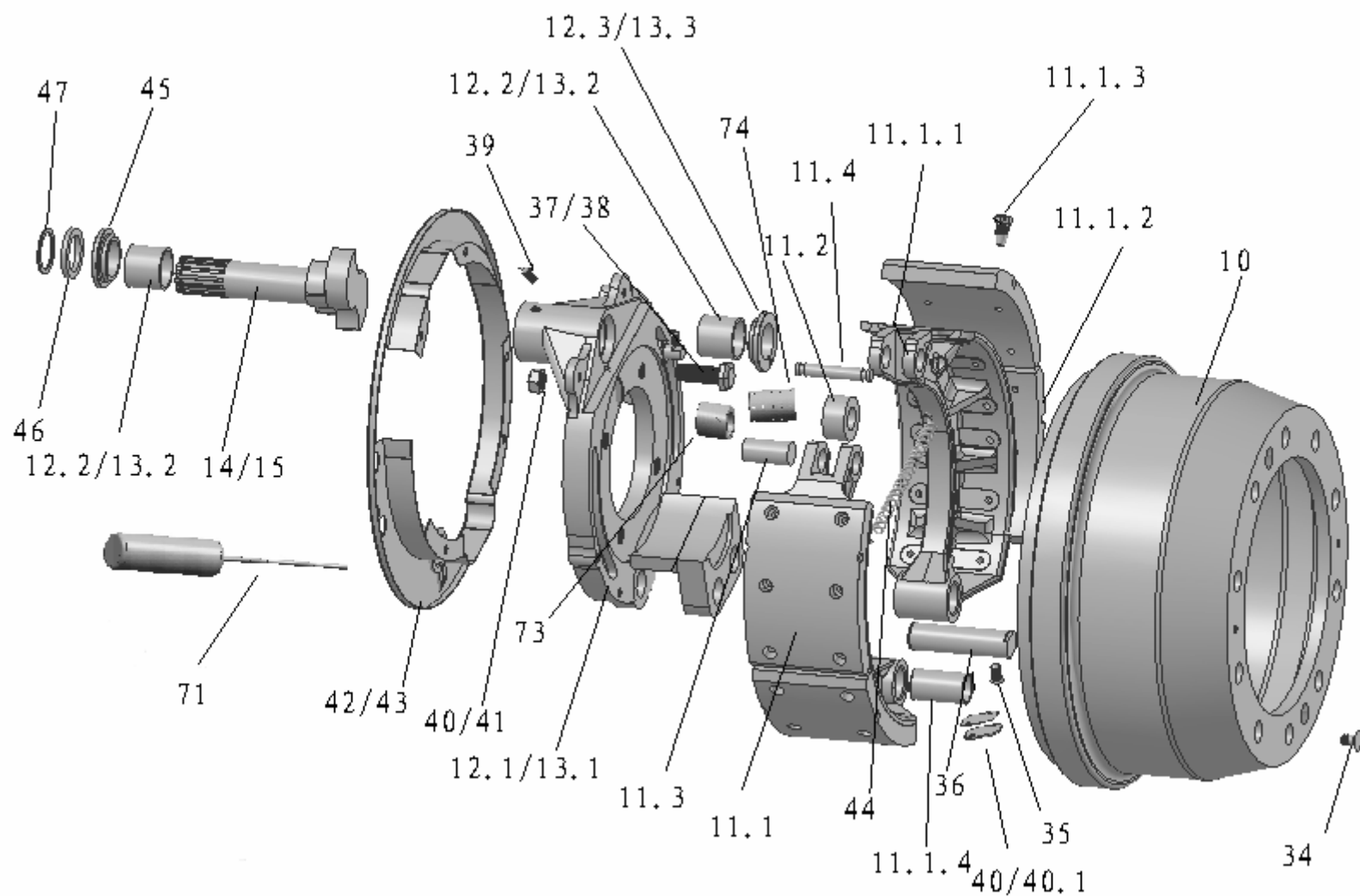
前轴系统 / FRONT AXLE SYSTEM

30-8

序号 No.	件号 Part No.	数量 Quantity	名称 Name	规格 Specification	适用产品 Products Applied	备注 Remark
13.2	3501129-02	2	衬套 Bushing			
14	3501151-4E	1	前左制动凸轮 Front Brake Cam LH			
15	3501152-4E	1	前右制动凸轮 Front Brake Cam RH			
16	CQ1500816	10	螺栓 Bolt			
17	Q40308	10	弹簧垫圈 Spring Washer			
18	3001047-4E	2	盖板 Cover Plate			
19	3001048-4E	2	垫密片 - 盖板 Seal Washer-Cover Plate			
20	3103067-4EA1	2	垫密片 - 前轮轮毂 Seal Washer-Front Wheel Hub			

解放前轴展开图 / JIEFANG FRONT AXLE

30-C



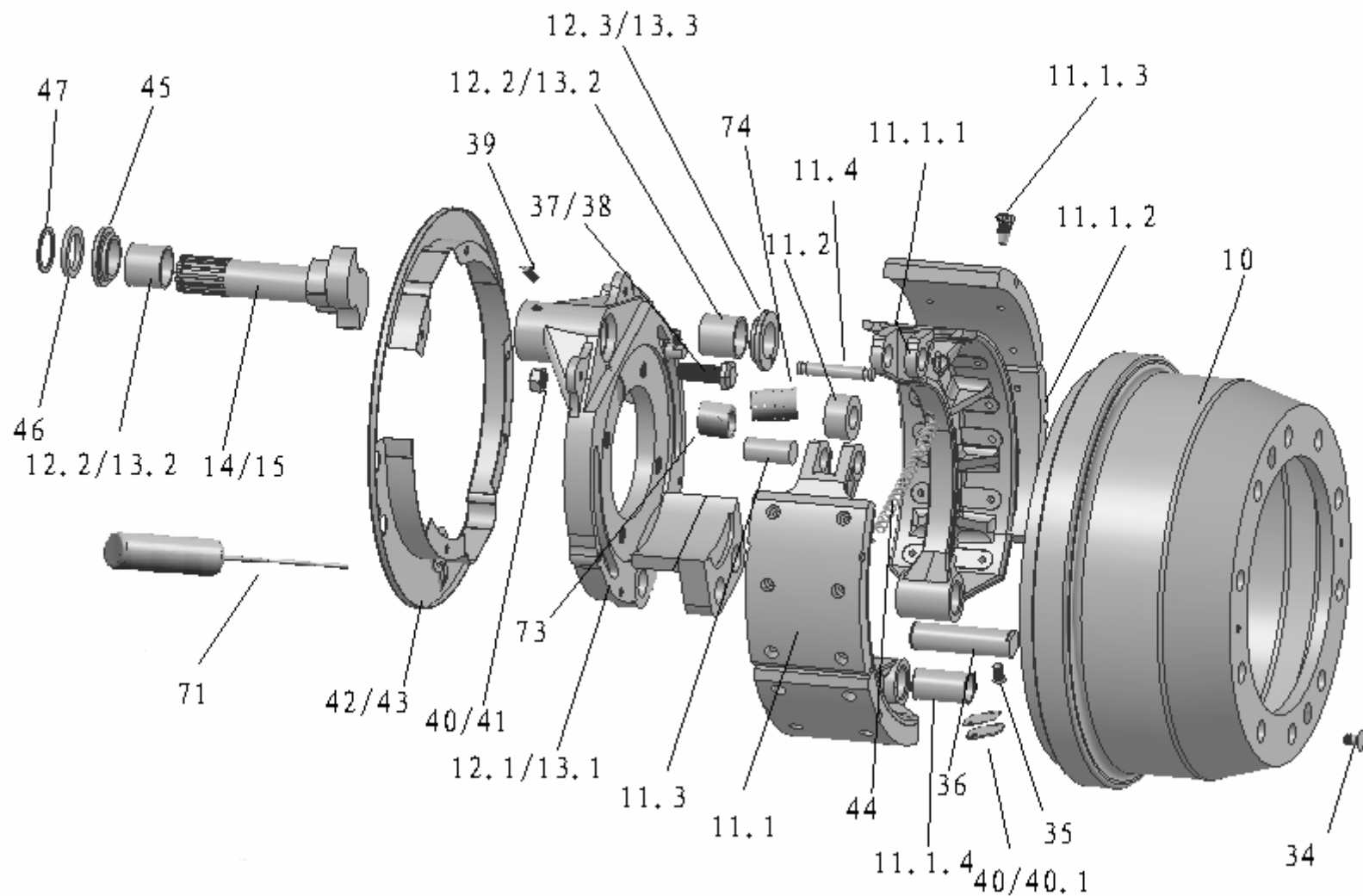
前轴系统 / FRONT AXLE SYSTEM

30-10

序号 No.	件号 Part No.	数量 Quantity	名称 Name	规格 Specification	适用产品 Products Applied	备注 Remark
21	3001064-4E	2	锁紧垫圈 Lock Washer			
22	3001063-4E	2	锁环 Lock Ring			
23	3001060-4E	2	调整螺母 Adjusting Nut			
24	7611E	2	滚子轴承 Roller Bearing			
25	3103051-Q402B	20	车轮螺栓 Wheel Bolt			
27	7614E	2	滚子轴承 Roller Bearing			
28	3103045-4E	2	油封总成 Oil Seal Assembly			
29	3001036-4E	2	止柱 Thrust Bar			
30	329910A	2	阻尼止推轴承 Damping Thrust Bearing			
31	CQ38736	2	螺母 Nut			
32	Q5006070	2	开口销 Cotter Pin			
33	3001041-4E	2	调整垫圈 Adjusting Washer			
34	CQ2541025	4	十字槽沉头螺钉 Cross Recessed Countersunk Screw			
35	CQ1501016	2	螺钉 Screw			

解放前轴展开图 / JIEFANG FRONT AXLE

30-C



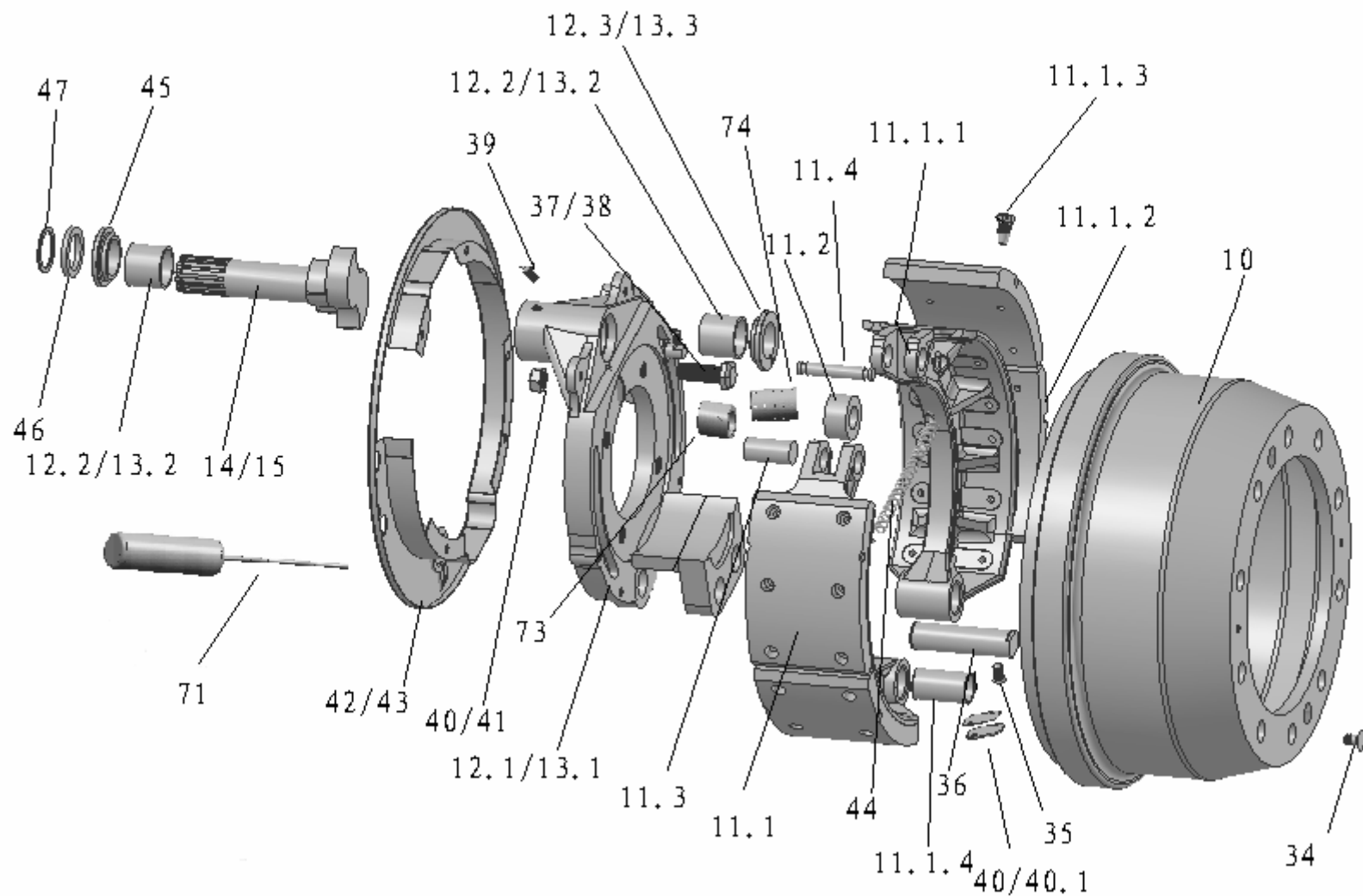
前轴系统 / FRONT AXLE SYSTEM

30-12

序号 No.	件号 Part No.	数量 Quantity	名称 Name	规格 Specification	适用产品 Products Applied	备注 Remark
36	3501082-4E	4	蹄片轴 Brake Shoe Shaft			
37	CQ1501045	8	螺栓 Bolt			
38	Q40310	8	弹簧垫圈 Spring Washer			
39	CQ70001	2	直径滑脂嘴 Diameter Grease Nipple			
40	3501086-4E	2	蹄片轴挡板 Brake Shoe Shaft Baffle			
40.1	3501087-4E	2	锁片 Locking Plate			
41	CQ34010	8	螺母 Nut			
42	3501031-4E	2	挡尘盘(上) Dust Guard Dish(Upper)			
43	3501032-4E	2	挡尘盘(下) Dust Guard Dish(Lower)			
44	3501436-4E	2	回动弹簧 Retracting Spring			
45	3501134-4E	2	制动凸轮轴垫环 Brake Camshaft Grommet			
46	3501156-01	2	调节垫圈 Adjusting Washer			
47	3501157-01	2	垫圈 Washer			
48	3001046-4E	2	楔形锁销 Wedge Lock Pin			

解放前轴展开图 / JIEFANG FRONT AXLE

30-C



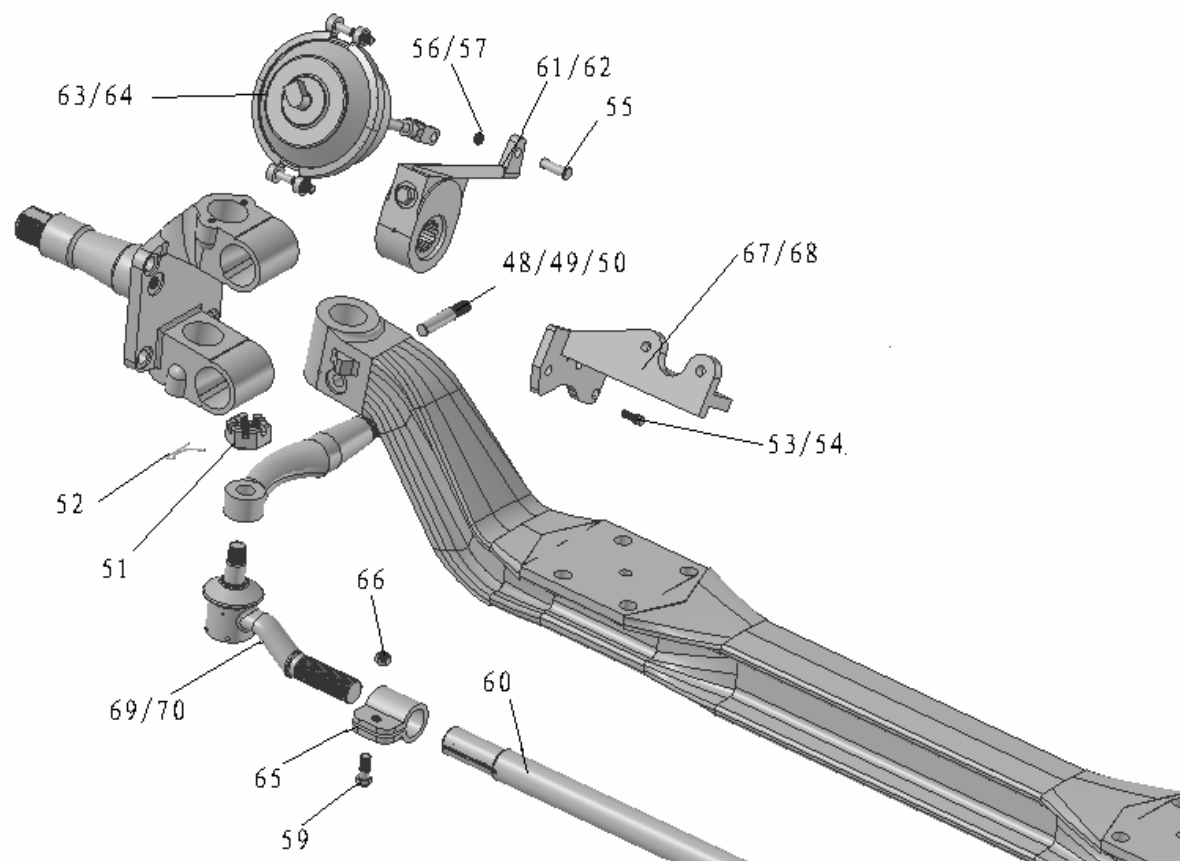
前轴系统 / FRONT AXLE SYSTEM

30-14

序号 No.	件号 Part No.	数量 Quantity	名称 Name	规格 Specification	适用产品 Products Applied	备注 Remark
49	Q40314	2	弹簧垫圈 Spring Washer			
50	CQ34014	2	螺母 Nut			
51	CQ38736	1	螺母 Nut			
52	Q5006070	1	开口销 Cotter Pin			
53	CQ1501045	8	螺栓 Bolt			
54	CQ34010	8	螺母 Nut			
55	Q5101238	2	平头销 Flat Head Pin			
56	Q40112	2	平垫圈 Plate Washer			

解放前轴展开图 / JIEFANG FRONT AXLE

30-D



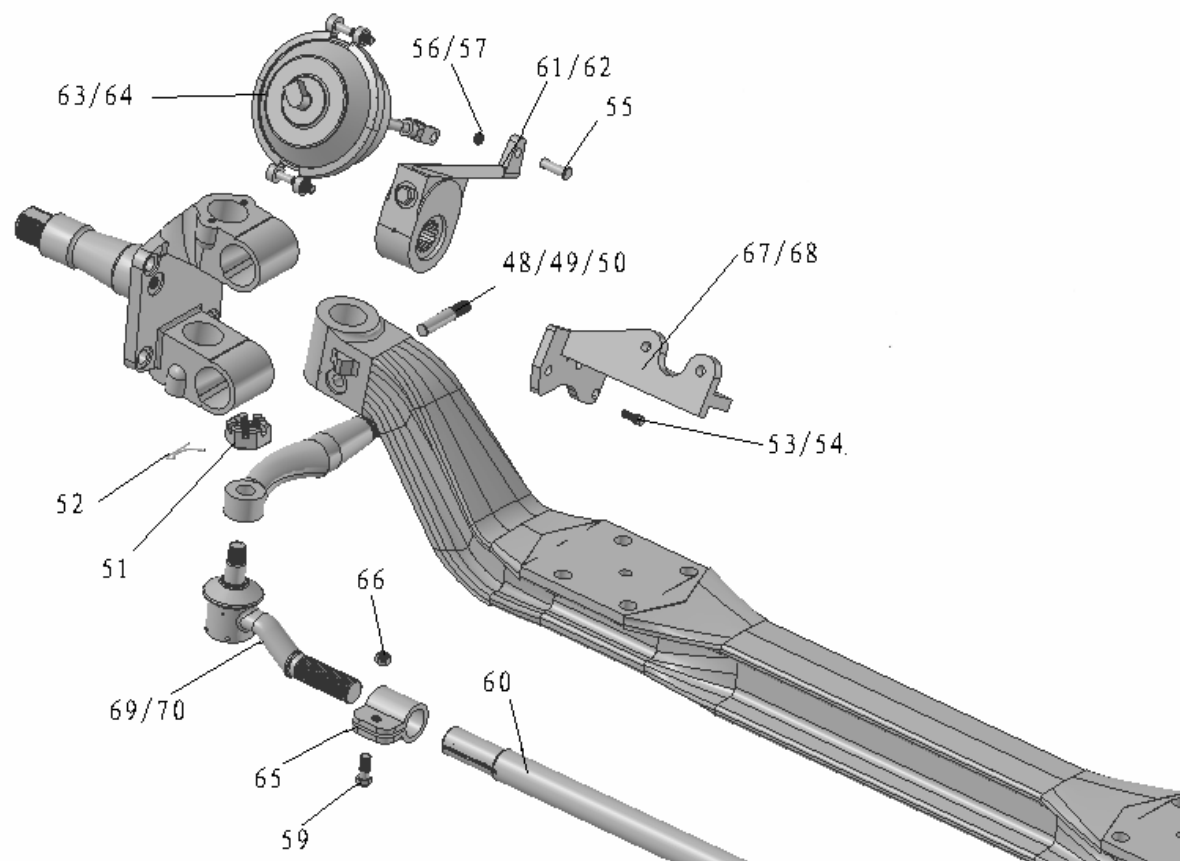
前轴系统 / FRONT AXLE SYSTEM

30-16

序号 No.	件号 Part No.	数量 Quantity	名称 Name	规格 Specification	适用产品 Products Applied	备注 Remark
57	Q5004030	2	开口销 Cotter Pin			
58	3001066-4E	2	锁紧螺母 Lock Nut			
59	CQ1501460	2	螺栓 Bolt			
60	3003054-1H	1	转向横拉杆 Steering Tie Rod			
61	3501205-1H	1	左调整臂总成 Adjusting Arm Assembly LH			
62	3501210-1H	1	右调整臂总成 Adjusting Arm Assembly RH			
63	3519110-8N	1	左气室 Left Chamber			
64	3519115-8N	1	右气室 Right Chamber			
65	3003056-1H	2	紧固夹 Fixing Clamp Tighten			
66	CQ34014	2	自锁螺母 Self Lock Nut			
67	3501125-1H	1	左支架及衬套总成 Bracket LH And Bushing Assembly			
68	3501130-1H	1	右支架及衬套总成 Bracket RH And Bushing Assembly			
69	3003055-1H	1	左接头总成 Connector Assembly LH			
70	3003060-1H	1	右接头总成 Connector Assembly RH			

解放前轴展开图 / JIEFANG FRONT AXLE

30-D



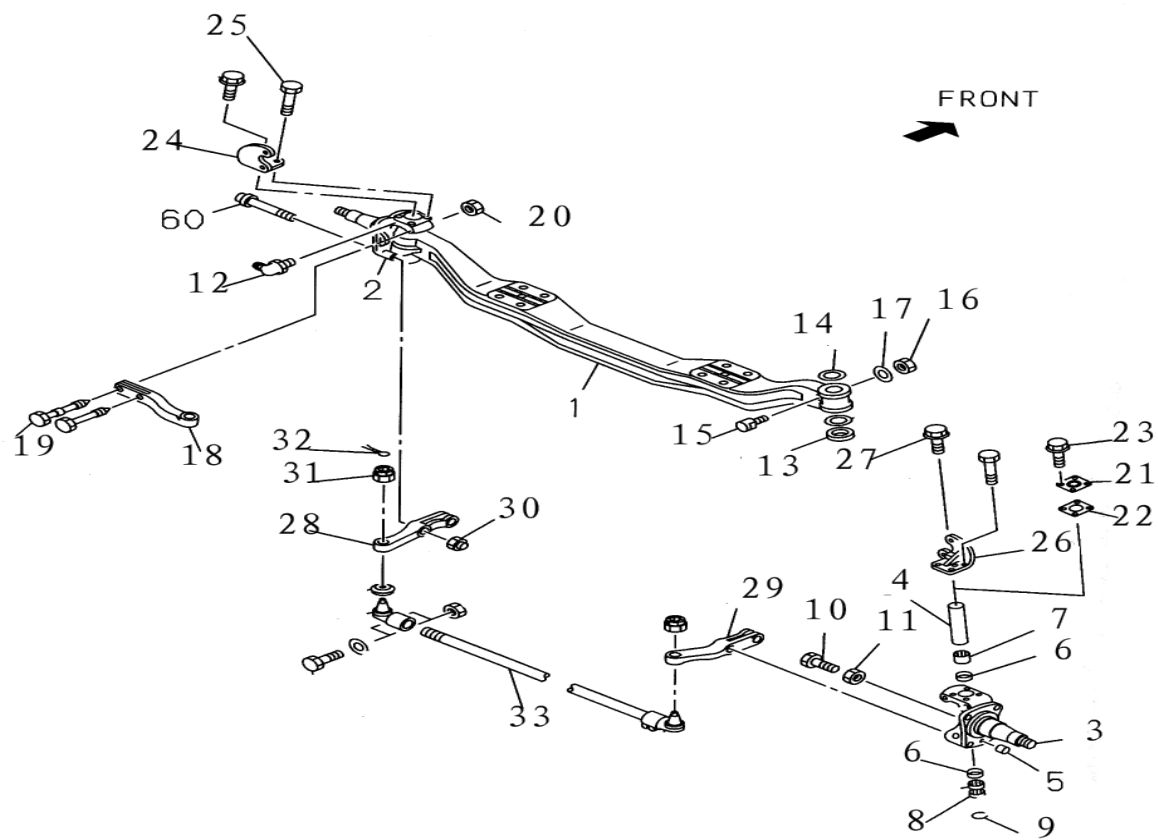
前轴系统 / FRONT AXLE SYSTEM

30-18

序号 No.	件号 Part No.	数量 Quantity	名称 Name	规格 Specification	适用产品 Products Applied	备注 Remark
71	3501580-ABS	2	WABCO 型传感器 WABCO Type Sensor			
72	3501581-A1HABS	2	齿圈 Gear Ring			
73	3501584-ABS	2	衬套 Bushing			
74	3501583-ABS	2	WABCO 弹性夹紧套 WABCO Type Spring Clamp Bushing			

泰州前轴展开图 / TAIZHOU FRONT AXLE

30-E



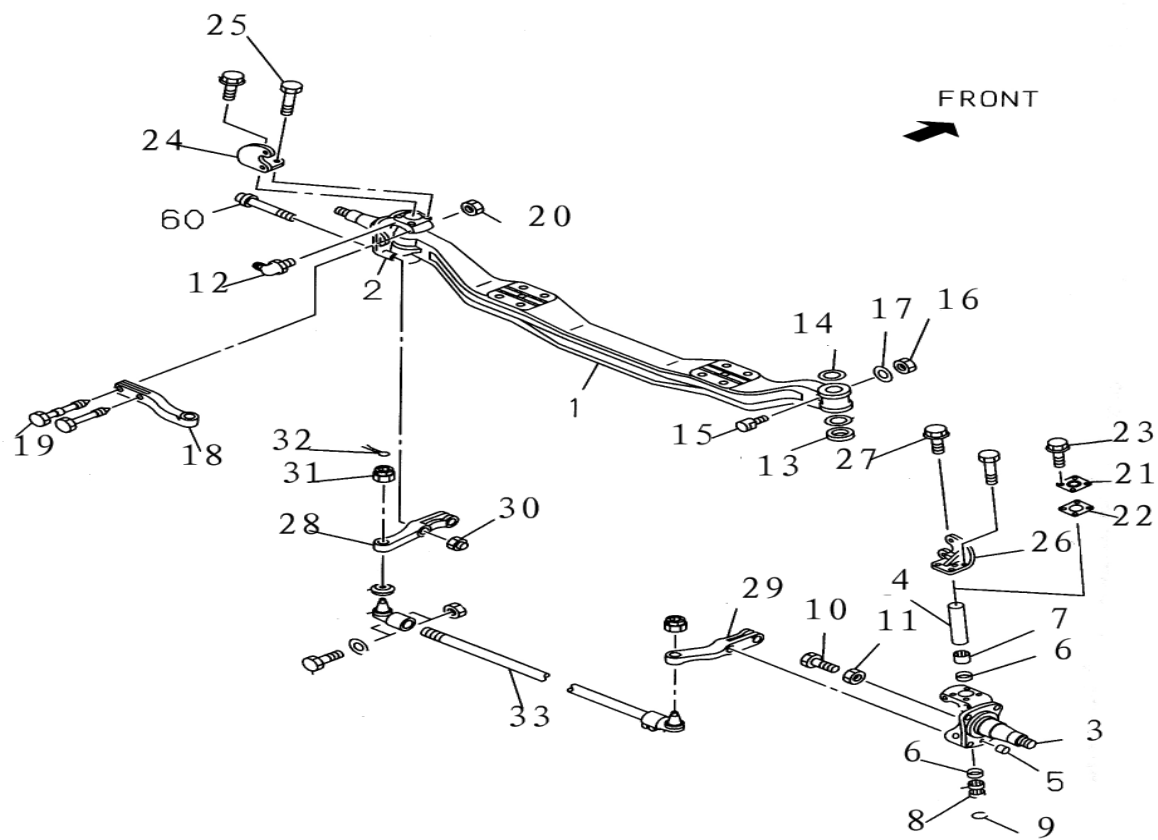
前轴系统 / FRONT AXLE SYSTEM

30-20

序号 No.	件号 Part No.	数量 Quantity	名称 Name	规格 Specification	适用产品 Products Applied	备注 Remark
1	3001011TSLA	1	前轴 Front Axle			
2	3001015TSLA	1	左转向节总成 Steering Knuckle Assembly LH			
3	3001016TSLA	1	右转向节总成 Steering Knuckle Assembly RH			
4	3001021TSLA	2	主销 King Pin			
5	3001072TSLA	2	定位销 Locating Pin			
6	3001075TSLA	4	衬套 Bushing			
7	NTN 7E-HMK 5045ZWD	2	(上) 滚针轴承 (Upper) Needle Bearing			
8	NTN 7E-HMK 5030	4	(下) 滚针轴承 (Lower) Needle Bearing			
9	Q43020	2	孔用弹簧挡圈 Spring Retainer Ring For Hole			
10	3001031TSLA	2	转向节限位螺栓 Knuckle Limiting Bolt			
11	3001034TSLA	2	转向节限位螺母 Knuckle Limiting Nut			
12	Q701B45	4	弯颈润滑嘴 Elbow Lubrication Nipple			
13	917/50 PZSV	2	止推轴承 Thrust Bearing			
14	3001022TSLA	按需 On- Demand	调整垫片 Adjusting Shim			

泰州前轴展开图 / TAIZHOU FRONT AXLE

30-E



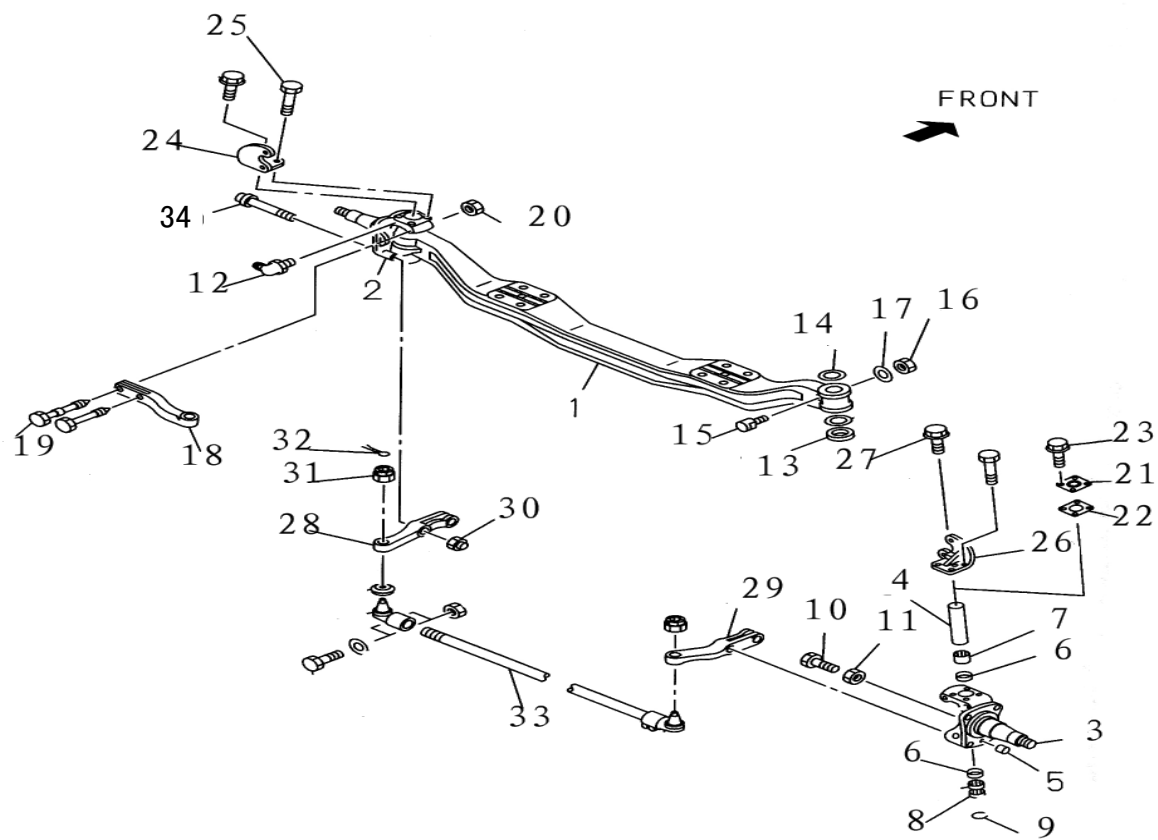
前轴系统 / FRONT AXLE SYSTEM

30-22

序号 No.	件号 Part No.	数量 Quantity	名称 Name	规格 Specification	适用产品 Products Applied	备注 Remark
15	3001032TSLA	2	转向节主销锁紧螺栓 Knuckle King Pin Lock Bolt			
16	3001033TSLA	2	转向节主销锁紧螺母 knuckle King Pin Lock Nut			
17	Q40310	2	弹簧垫圈 Spring Washer			
18	3001044TSLA	1	转向节臂 Knuckle Arm			
19	3001049TSLA	2	长螺栓 Long Bolt			
20	3001047TSLA	2	螺母 Nut			
21	3001037TSLA	2	堵盖 Block Cover			
22	3501033TSLA	2	主销盖垫片 King Pin Cover Shim			
23	Q140B1216	8	主销盖螺栓 King Pin Cover Bolt			
24	3501041TSLA	1	左支架 - 前制动气室 Bracket LH-Front Brake Chamber			
25	3501043TSLA	2	长螺栓 - 支架 Long Bolt-Bracket			
26	3501042TSLA	1	右支架 - 前制动气室 Bracket RH-Front Brake Chamber			
27	3501043TSLA	6	短螺栓 - 支架 Short Bolt-Bracket			
28	3001041TSLA	1	左横拉杆节臂 Tie Rod Arm LH			

泰州前轴展开图 / TAIZHOU FRONT AXLE

30-E



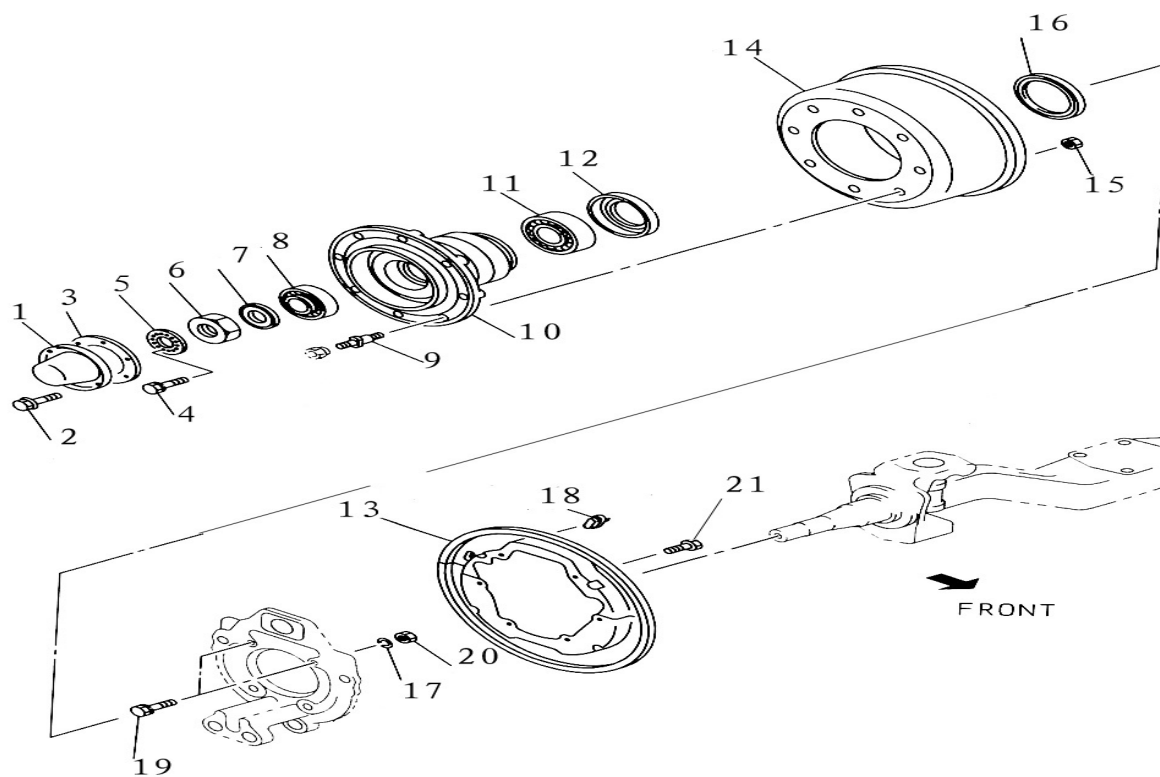
前轴系统 / FRONT AXLE SYSTEM

30-24

序号 No.	件号 Part No.	数量 Quantity	名称 Name	规格 Specification	适用产品 Products Applied	备注 Remark
29	3001042TSLA	1	右横拉杆节臂 Tie Rod Arm RH			
30	3001047TSLA	4	螺母 - 拉杆臂 Nut-Rod Arm			
31	Q387B24	2	六角开槽薄螺母 Hexagon Slotted Thin Nut			
32	Q5000545	2	开口销 Cotter Pin			
33	3301042TSLA	1	横拉杆总成 Tie Rod Assembly			
34	3001045TSLA	4	长螺栓 Long Bolt			

泰州前轴轮毂展开图 / TAIZHOU FRONT AXLE HUB

30-F



前轴系统 / FRONT AXLE SYSTEM

30-26

序号 No.	件号 Part No.	数量 Quantity	名称 Name	规格 Specification	适用产品 Products Applied	备注 Remark
1	3103061TSLA	2	前轮毂盖 Front Hub Cover			
2	3103063TSLA	12	螺栓 - 前轮毂盖 Bolt-Front Hub Cover			
3	3103062TSLA	2	衬垫 - 前轮毂盖 Gasket-Front Hub Cover			
4	3001064TSLA	4	螺栓 - 锁紧螺母 Bolt-Lock Nut			
5	3001063TSLA	2	锁片 Locking Plate			
6	3001061TSLA	2	前轮毂锁紧螺母 Front Hub Lock Nut			
7	3001058TSLA	2	减磨挡片 Antifriction Retainer			
8	7611E	2	前轮毂外轴承 Front Hub Outer Bearing			
9	3103051TSLA	20	前车轮螺栓 Front Wheel Bolt			
10	3103015TSLA	2	前轮毂 Front Hub			
11	7614EK	2	前轮毂内轴承 Front Hub Inner Bearing			
12	3103076TSLA	2	前轴承盖 Front Bearing Cover			
13	3501062TSLA	2	制动鼓底板 Brake Drum Bottom Plate			
14	3501065TSLA	2	前制动鼓 Front Brake Drum			

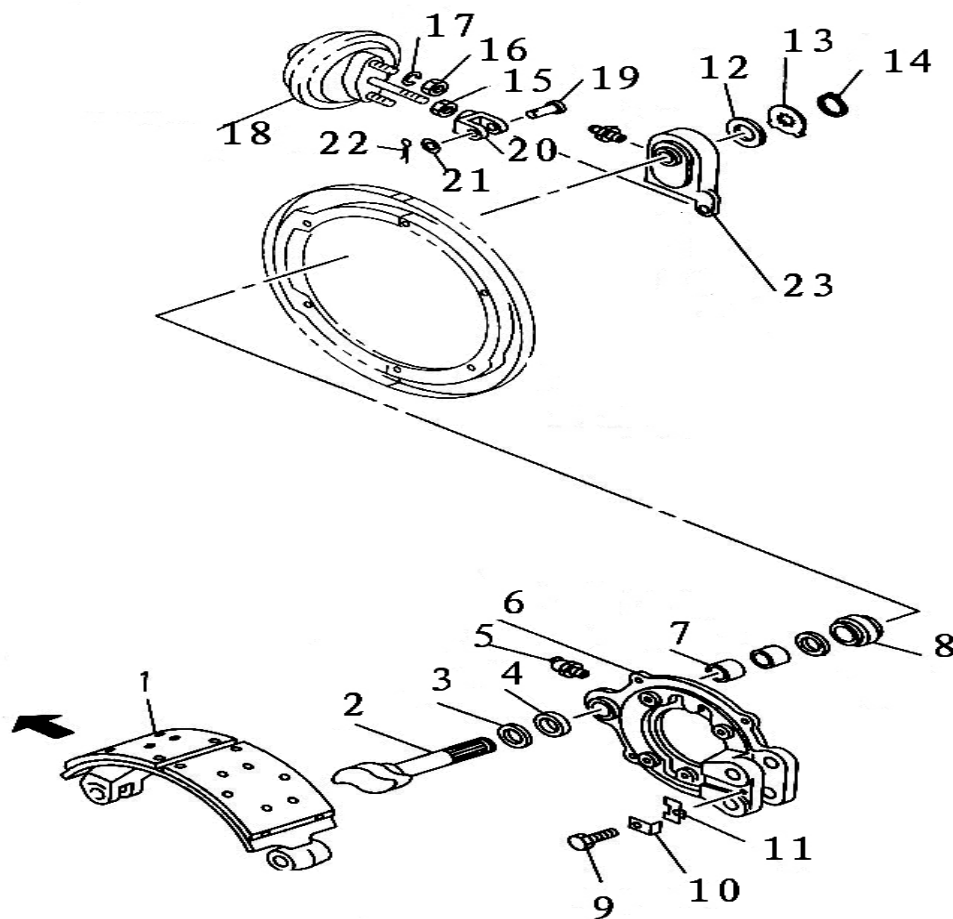
前轴系统 / FRONT AXLE SYSTEM

30-28

序号 No.	件号 Part No.	数量 Quantity	名称 Name	规格 Specification	适用产品 Products Applied	备注 Remark
15	3103053TSLA	20	车轮螺栓内螺母 Wheel Bolt Inner Nut			
16	3103080TSLA	2	前轮毂油封总成 Front Hub Oil Seal Assembly			
17	Q40316	4	弹簧垫圈 Spring Washer			
18	3501067TSLA	4	制动鼓孔盖 Brake Drum Hole Cover			
19	3501021TSLA	4	螺栓 (A) - 制动底板 Bolt(A)-Brake Bottom Plate			
20	3501022TSLA	4	螺母 - 制动底板 Nut-Brake Bottom Plate			
21	3501023TSLA	4	螺栓 (B) - 制动底板 Bolt(B)-Brake Bottom Plate			

泰州前轴制动器展开图 / TAIZHOU FRONT AXLE BRAKE

30-G



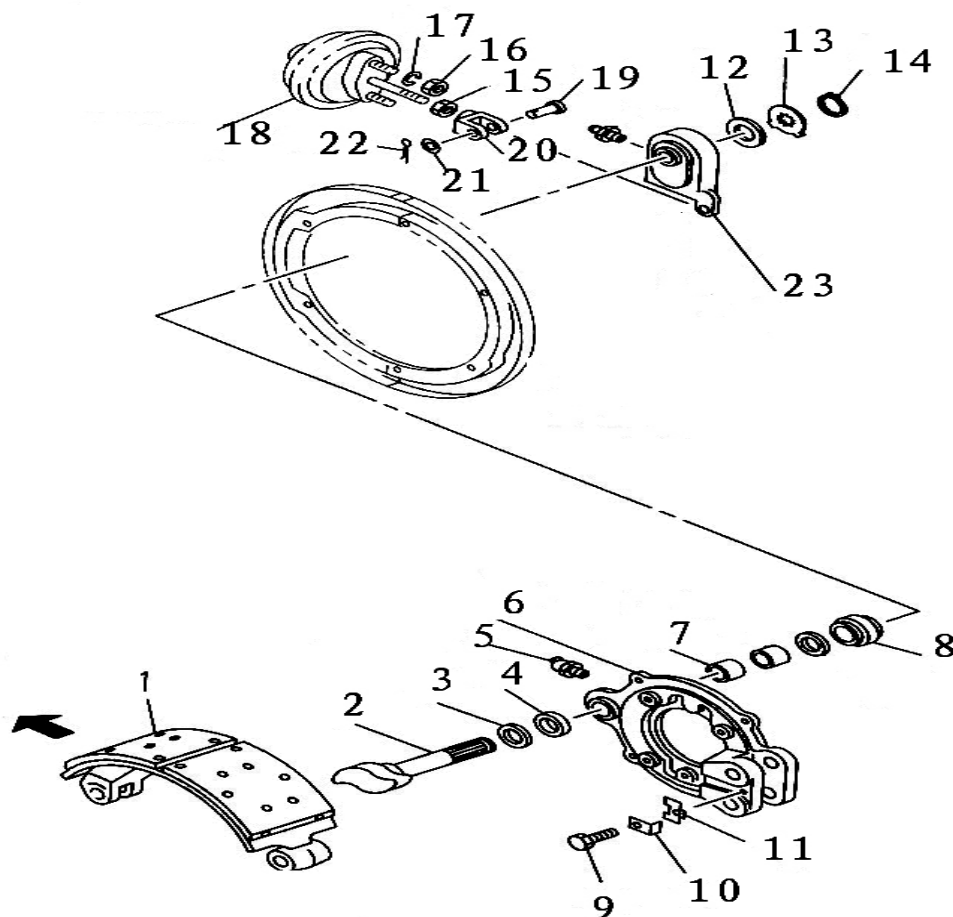
前轴系统 / FRONT AXLE SYSTEM

30-30

序号 No.	件号 Part No.	数量 Quantity	名称 Name	规格 Specification	适用产品 Products Applied	备注 Remark
1	3501070TSLA	8	制动蹄 Brake Shoe			
2	3501071TSLA	2	左 / 右制动凸轮轴 Brake Camshaft LH/RH			
3	3501073TSLA	2	凸轮轴油封 Camshaft Oil Seal			
4	3501074TSLA	按需 On-Demand	调整垫圈 Adjusting Washer			
5	Q701B45	2	润滑脂嘴 Grease Nipple			
6	3501076TSLA	2	制动鼓底板支架 Brake Drum Bottom Plate Bracket			
7	3501077TSLA	4	衬套 Bushing			
8	3501078TSLA	2	凸轮轴护圈 Camshaft Retainer			
9	Q150B1016	2	螺栓 Bolt			
10	3501079TSLA	2	垫片 Shim			
11	3501081TSLA	2	锁片 Locking Plate			
12	3501082TSLA	2	垫片 Shim			
13	3501083TSLA	2	凸轮挡板 Camshaft Baffle			
14	3501084TSLA	2	卡簧 Snap Ring			

泰州前轴制动器展开图 / TAIZHOU FRONT AXLE BRAKE

30-G



前轴系统 / FRONT AXLE SYSTEM

30-32

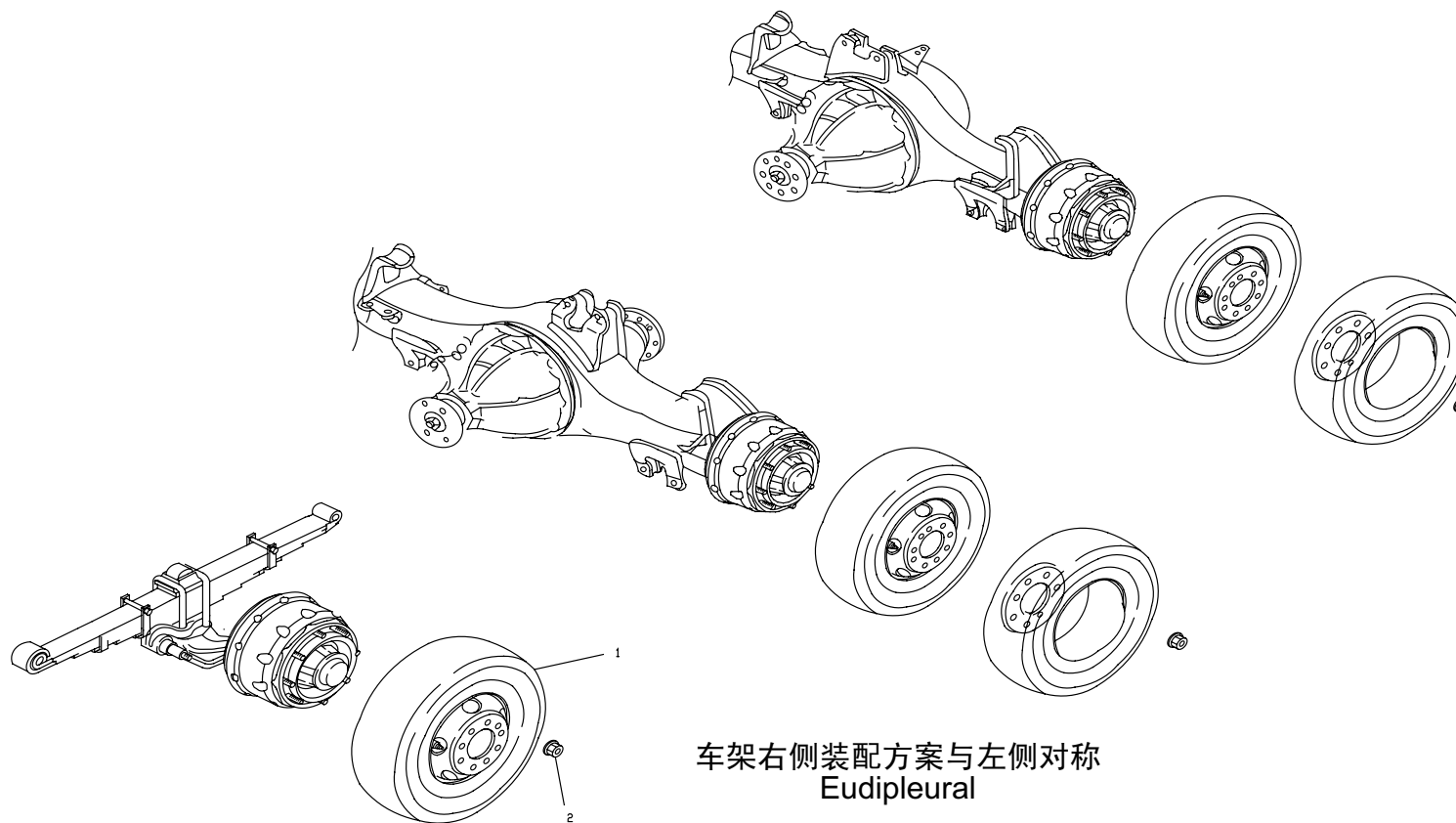
序号 No.	件号 Part No.	数量 Quantity	名称 Name	规格 Specification	适用产品 Products Applied	备注 Remark
15	Q340B16	2	螺母 Nut			
16	Q340B16	4	螺母 Nut			
17	Q40316	2	弹簧垫圈 Spring Washer			
18	3519010TSLA	2	左 / 右制动气室 Brake Chamber LH/RH			
19	3501086TSLA	2	销 Pin			
20	3501087TSLA	2	推叉 Push Fork			
21	3501088TSLA	2	垫片 Shim			
22	3501089TSLA	2	开口销 Cotter Pin			
23	3501075TSLA	2	制动调整臂 Brake Adjusting Arm			

31

车轮及轮毂系统
WHEEL AND HUB
SYSTEM

双后桥车型轮胎装置图 / DUAL REAR AXLE MODEL TIRE

31-A



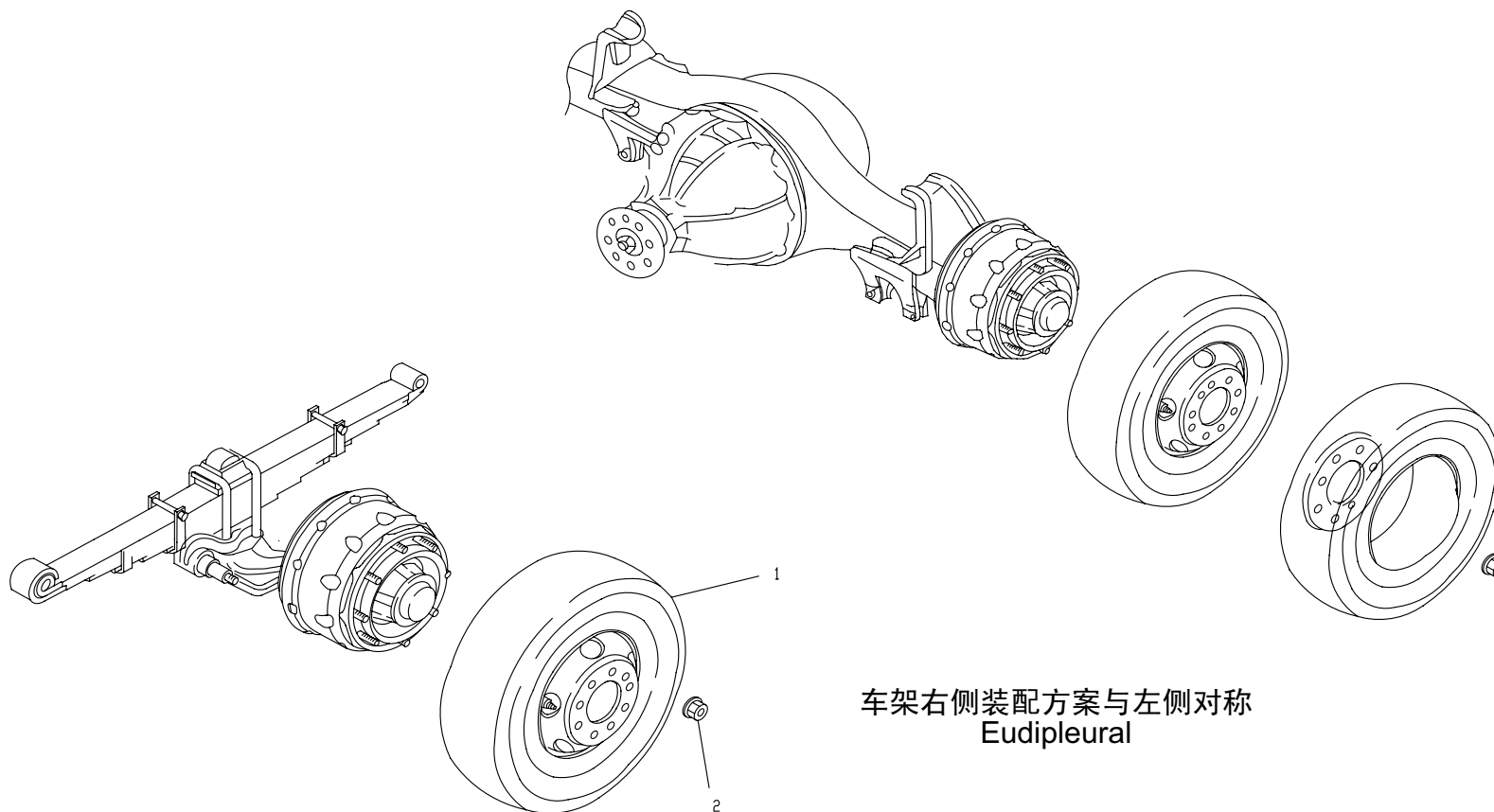
车轮及轮毂系统 / WHEEL AND HUB SYSTEM

31-2

序号 No.	件号 Part No.	数量 Quantity	名称 Name	规格 Specification	适用产品 Products Applied	备注 Remark
1	31AD-00310	11	车轮、轮胎总成 (无胆胎 13R22.5) Wheel, Tire Assembly (Tubeless Tire 13R22.5)			
	31AD-0000	11	车轮、轮胎总成 Wheel, Tire Assembly	11.00-20-18		
	31AD-0010	11	车轮、轮胎总成 Wheel, Tire Assembly	11.00R20-16		
	31A2DZ-0000	11	车轮、轮胎总成 Wheel, Tire Assembly	12.00-20-18		
	31A2DZ-0010	11	车轮、轮胎总成 Wheel, Tire Assembly	12.00R20-18		
	31A7DP-0000	11	车轮、轮胎总成 Wheel, Tire Assembly	11.00-20-18		
2	Q30022F3	60	轮胎螺母 Tire Nut			

单后桥车型轮胎装置图 / SINGLE REAR AXLE MODEL TIRE

31-B



车架右侧装配方案与左侧对称
Eudipleural

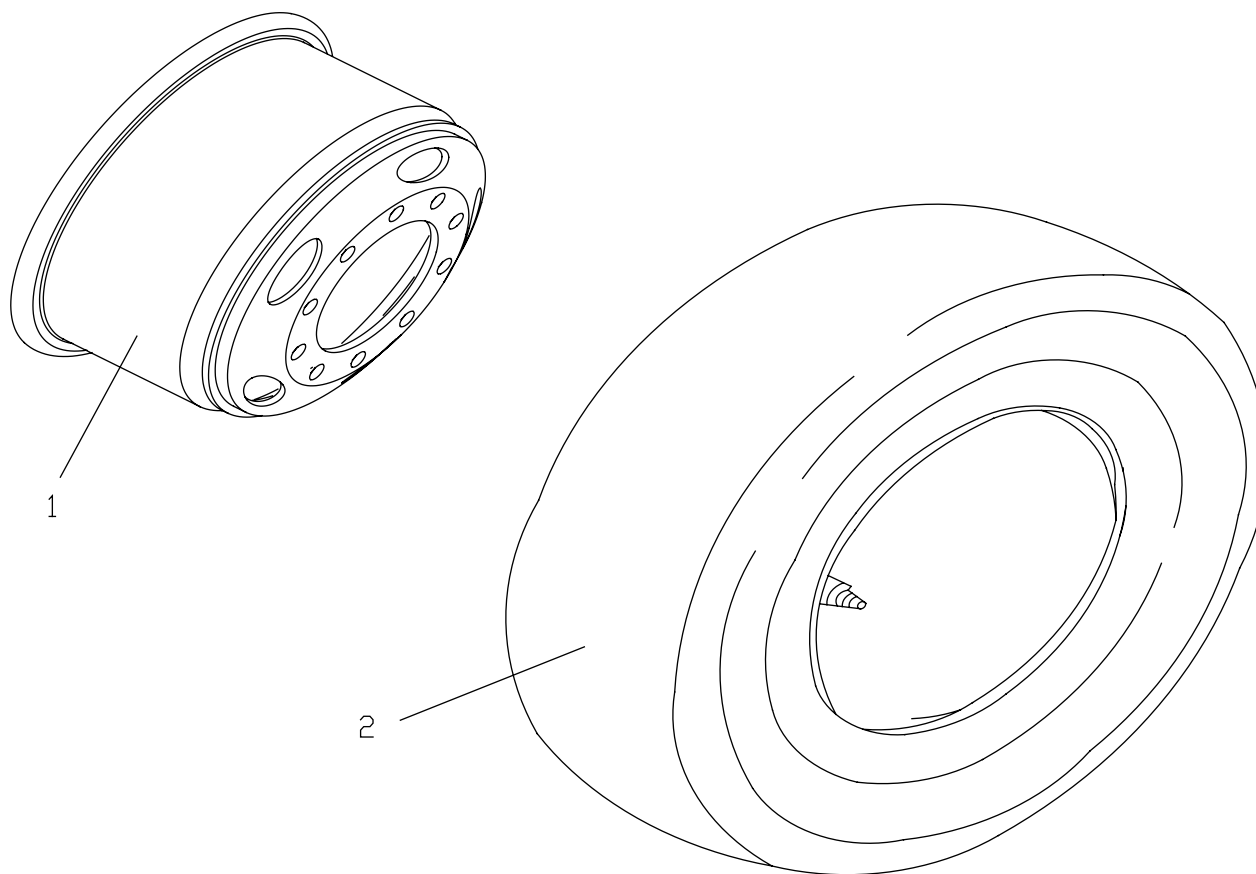
车轮及轮毂系统 / WHEEL AND HUB SYSTEM

31-4

序号 No.	件号 Part No.	数量 Quantity	名称 Name	规格 Specification	适用产品 Products Applied	备注 Remark
1	31AD-00320	7	车轮、轮胎总成 Wheel, Tire Assembly			
2	Q30022F3	40	轮胎螺母 Tire Nut			

轮胎装置图 I / TIRE I

31-C



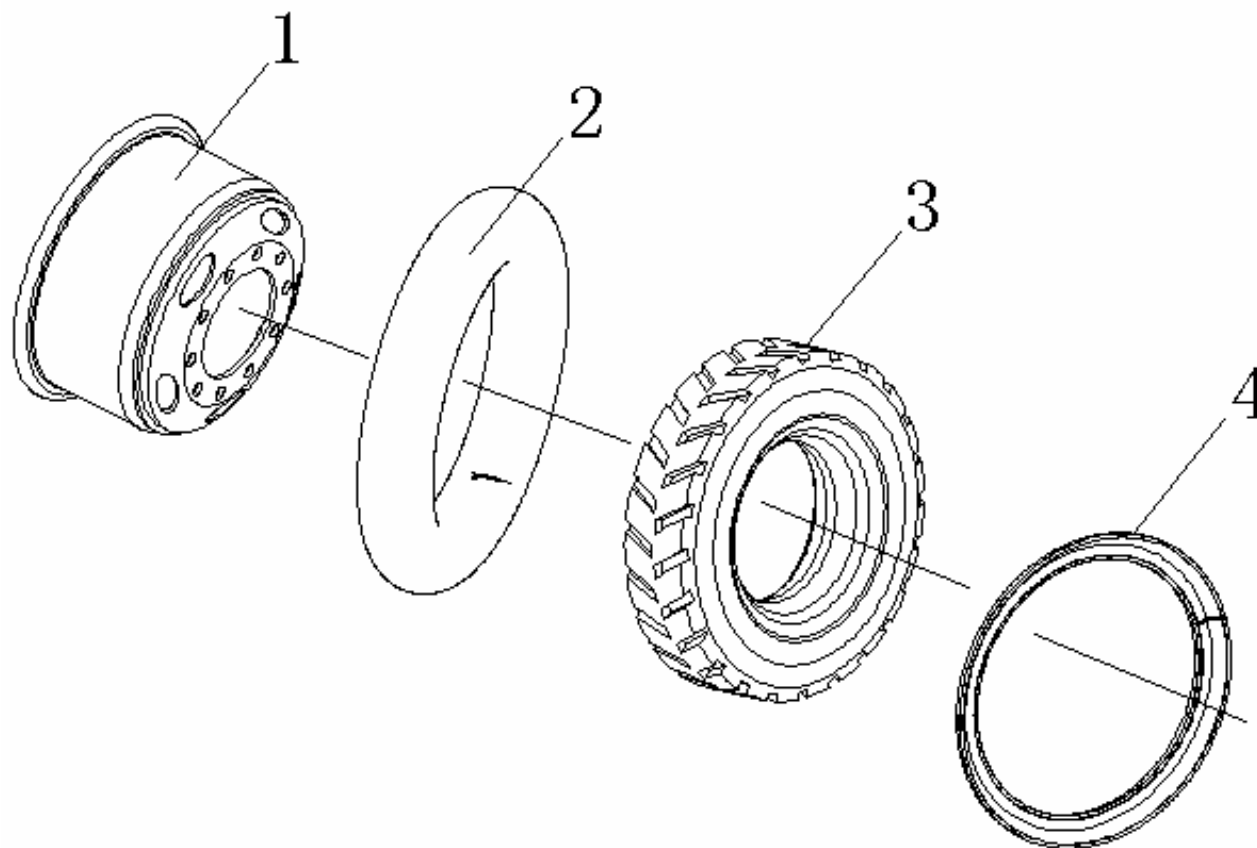
车轮及轮毂系统 / WHEEL AND HUB SYSTEM

31-6

序号 No.	件号 Part No.	数量 Quantity	名称 Name	规格 Specification	适用产品 Products Applied	备注 Remark
1	31AD-13110	7	车轮总成 Wheel Assembly	22.5x9.00		
	31AD-13210	7	车轮总成 Wheel Assembly	22.5x9.00		
	31AD-13210	11	车轮总成 Wheel Assembly	22.5x9.00		
2	31AD-06110	7	轮胎总成 Tire Assembly	13R22.5-16		
	31AD-06110	7	轮胎总成 Tire Assembly	13R22.5-18		
	31AD-06210	11	轮胎总成 Tire Assembly	13R22.5-18		

轮胎装置图 II / TIRE II

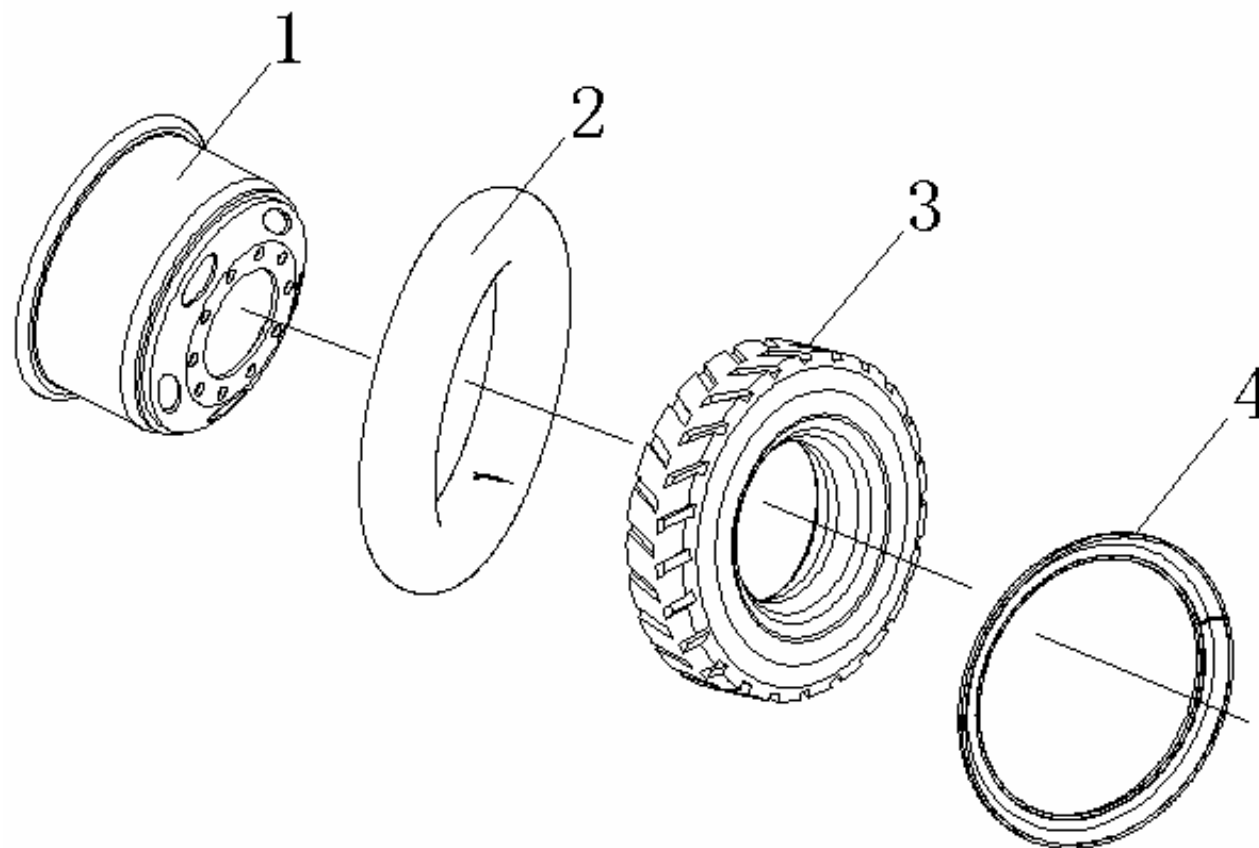
31-D



序号 No.	件号 Part No.	数量 Quantity	名称 Name	规格 Specification	适用产品 Products Applied	备注 Remark
1	31AD-01010-01	1	轮辋及轮辐总成 Rim And Wheel Spoke Assembly	8.0-20		
	31A2DZ-01010-01	1	轮辋及轮辐总成 Rim And Wheel Spoke Assembly	8.5-20		
	31A7DP-01010-01	1	轮辋及轮辐总成 (分度圆为 285.75) Rim And Wheel Spoke Assembly (Graduated Circle 285.75)	8.0-20		
	31AD-03410	1	轮辋及轮辐总成 (球面定位) Rim And Wheel Spoke Assembly (Spherical Localization)	8.0-20		
2	31AD-06010-01	1	内胎 (配 11.00-20、11.00R20) Inner Tube(For/11.00-20,11.00R20)			
	31A2DZ-06010-01	1	内胎 (配 12.00-20、12.00R20) Inner Tube(For/12.00-20,12.00R20)			
	31A4D-06010-01	1	内胎 (配 12.00-24、12.00R24) Inner Tube(For/12.00-24,12.00R24)	2		
3	31AD-06010-02	1	外胎 Cover Tire	11.00-20-18		
	31AD-06020-02	1	外胎 Cover Tire	11.00R20-16		
	31A2DZ-06010-02	1	外胎 Cover Tire	12.00-20-18		
	31A2DZ-06020-02	1	外胎 Cover Tire	12.00R20-18		
	31A4D-06010	1	外胎 Cover Tire	12.00-24-18		
	31A4D-06020	1	外胎 Cover Tire	12.00R24-18		

轮胎装置图 II / TIRE II

31-D



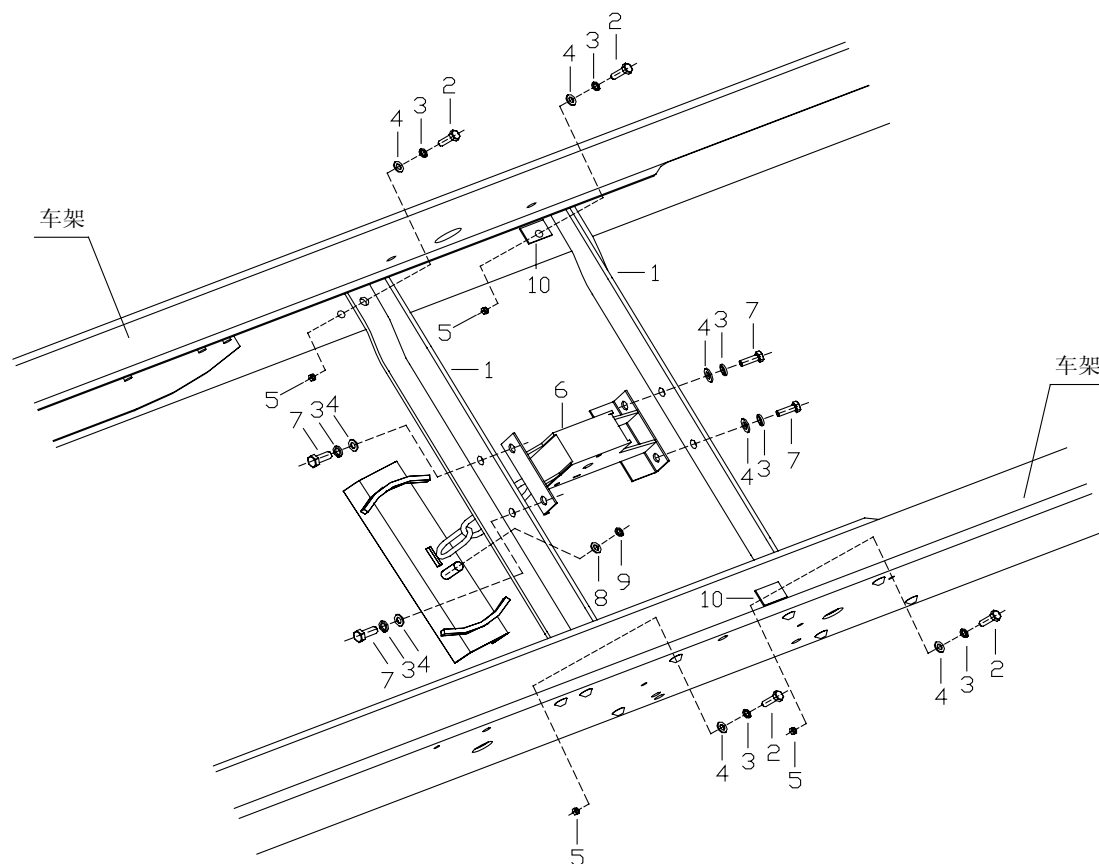
车轮及轮毂系统 / WHEEL AND HUB SYSTEM

31-10

序号 No.	件号 Part No.	数量 Quantity	名称 Name	规格 Specification	适用产品 Products Applied	备注 Remark
4	31AD-01010-02	1	挡圈 Retainer Ring	8.0-20		
	31A2DZ-01010-02	1	挡圈 Retainer Ring	8.5-20		
	31A4D-06010-02	1	挡圈 Retainer Ring	8.5-24		

备胎架及其升降机构 I / SPARE-TIRE CARRIER AND ITS LIFT MECHANISM I

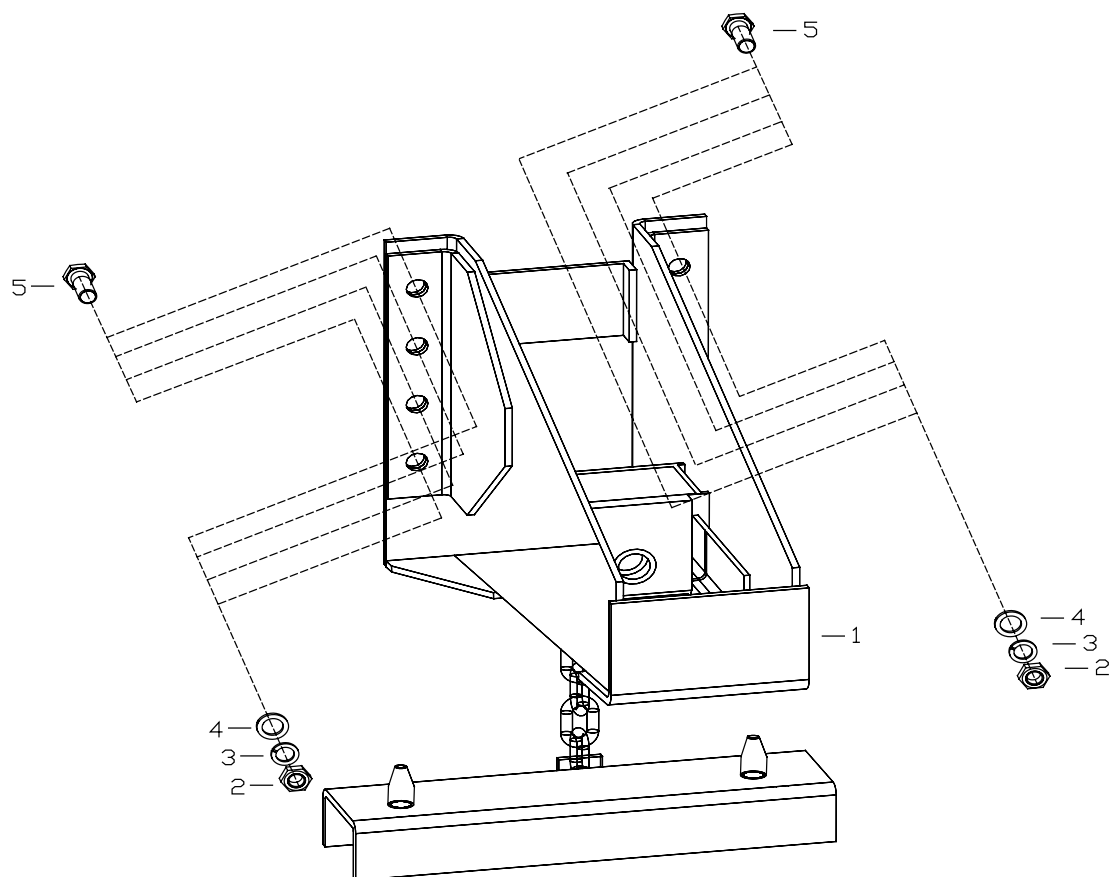
31-E



序号 No.	件号 Part No.	数量 Quantity	名称 Name	规格 Specification	适用产品 Products Applied	备注 Remark
1	31A9DP1-05021	2	支架-备胎架 Bracket-Spare-Tire Carrier			
2	Q150B1445	4	六角头螺栓 Hexagon Head Bolt			
	Q150B1455	4	六角头螺栓 Hexagon Head Bolt		1850+4000+1310 轴距 1850+4000+1310 Wheel Base	
3	Q40114	8	平垫圈 Plate Washer			
4	Q40314	8	弹簧垫圈 Spring Washer			
5	Q340B14	4	I型六角螺母 Hexagon Full Nut			
6	31AD-05010	1	备胎架升降机总成 Spare-Tire Carrier Lifter Assembly		457 桥、斯太尔桥、东风 500 桥、统一桥 457Axle,STERY Axle, DONGFENG 500 Axle,ENTIA Axle	
	31AD-05015	1	备胎架升降机总成 Spare-Tire Carrier Lifter Assembly		435 桥、三菱桥 435 Axle,MITSUBISHI Axle	
7	Q150B1435	4	六角头螺栓 Hexagon Head Bolt			
8	Q40116	1	平垫圈 Plate Washer			
9	Q40316	1	弹簧垫圈 Spring Washer			
10	31A9DP5-05023	1	垫板 Mat Plate		1850+4000+1310 轴距 1850+4000+1310 Wheel Base	

备胎架及其升降机构 II / SPARE-TIRE CARRIER AND ITS LIFT MECHANISM II

31-F



序号 No.	件号 Part No.	数量 Quantity	名称 Name	规格 Specification	适用产品 Products Applied	备注 Remark
1	31AH23DZ-05010	1	备胎架升降机及固定支架总成 Spare-Tire Carrier Lifter And Fixed Bracket Assembly			
2	Q340B12	8	I 型六角螺母 Hexagon Full Nut			
3	Q40312	8	弹簧垫圈 Spring Washer			
4	Q40112	8	平垫圈 Plate Washer			
5	Q150B1255	8	六角头螺栓 Hexagon Head Bolt			

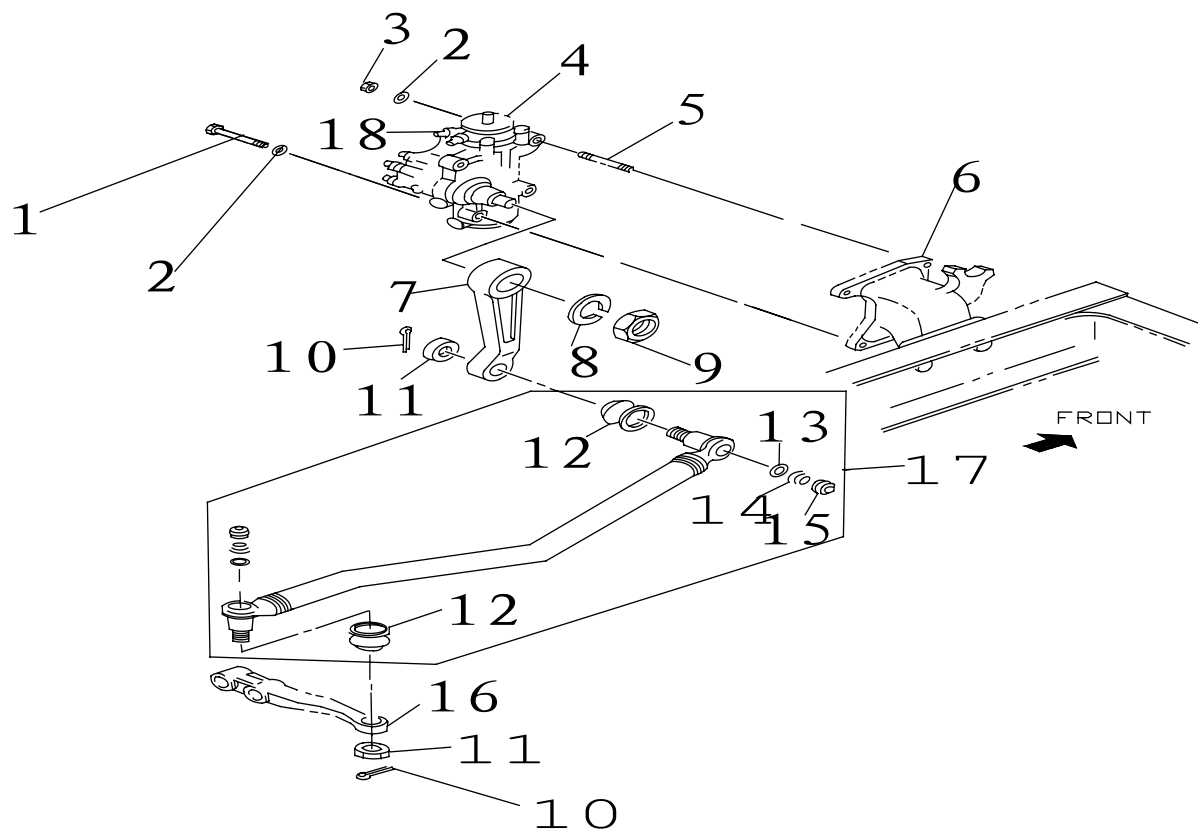
34

转向系统

STEERING SYSTEM

转向直拉杆和转向垂臂图 / STEERING DRAG LINK AND STEERING DROP ARM

34-A



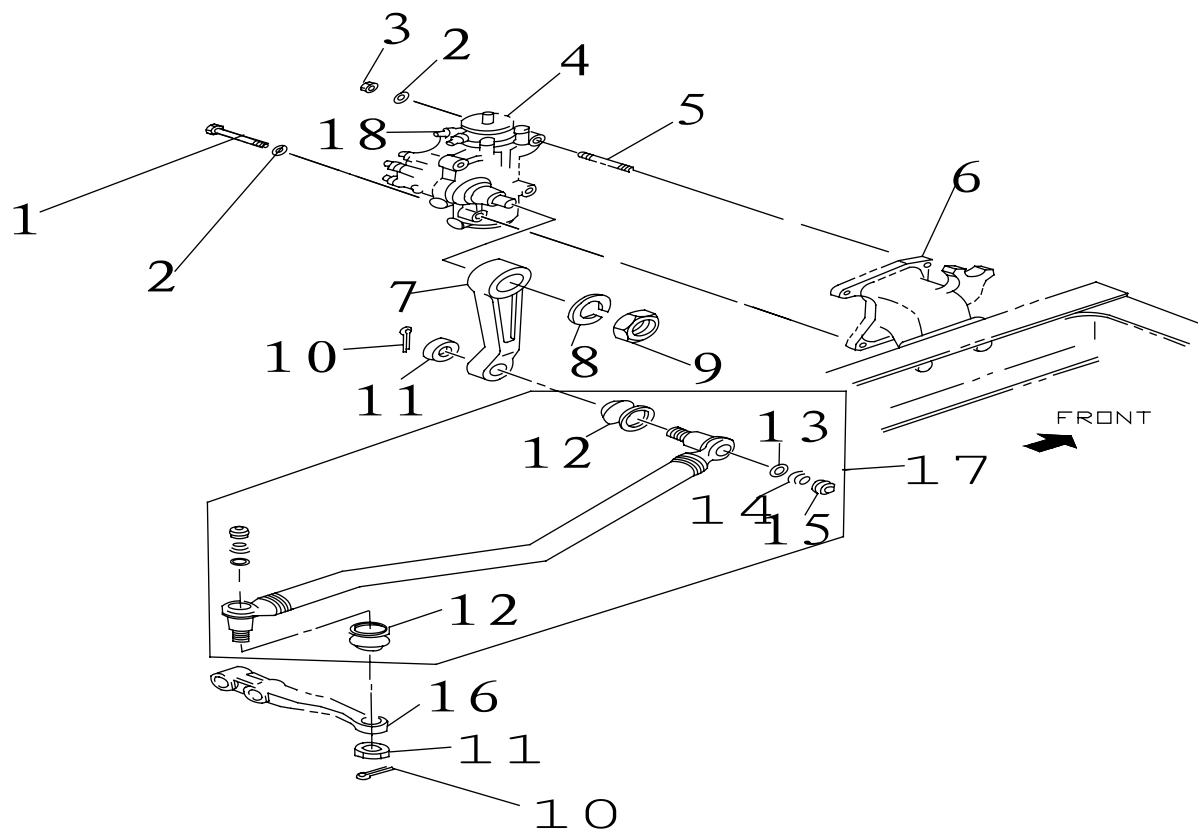
转向系统 / STEERING SYSTEM

34-2

序号 No.	件号 Part No.	数量 Quantity	名称 Name	规格 Specification	适用产品 Products Applied	备注 Remark
1	Q151B1865TF2	2	六角头螺栓 Hexagon Head Bolt			
2	Q40318	4	弹簧垫圈 Spring Washer			
3	Q341B18T13F2	1	六角螺母 Hexagon Nut			
4	3401AD-010	1	转向器 Steering Gear			
4	3401AD-010-B	1	转向器 Steering Gear			
5	Q1291850	1	双头螺栓 Stud Bolt			
6	3403AD-010	1	转向器支架 Steering Gear Bracket			
6	3403AD-010-B	1	转向器支架 Steering Gear Bracket		3401AD-010-B 转向器 3401AD-010-B Steering Gear	
7	34AD-01310	1	转向垂臂 Steering Drop Arm			
7	34AD-01310-B	1	转向垂臂 Steering Drop Arm		3401AD-010-B 转向器 3401AD-010-B Steering Gear	
8	HQ40336	1	弹簧垫圈 Spring Washer		3403AD-010-B 转向器 3403AD-010-B Steering Gear	
9	34AD-01311	1	六角薄螺母 Hexagon Thin Nut			
10	Q5000545	2	开口销 Cotter Pin			
11	Q387B24	2	六角开槽薄螺母 Hexagon Slotted Thin Nut			

转向直拉杆和转向垂臂图 / STEERING DRAG LINK AND STEERING DROP ARM

34-A



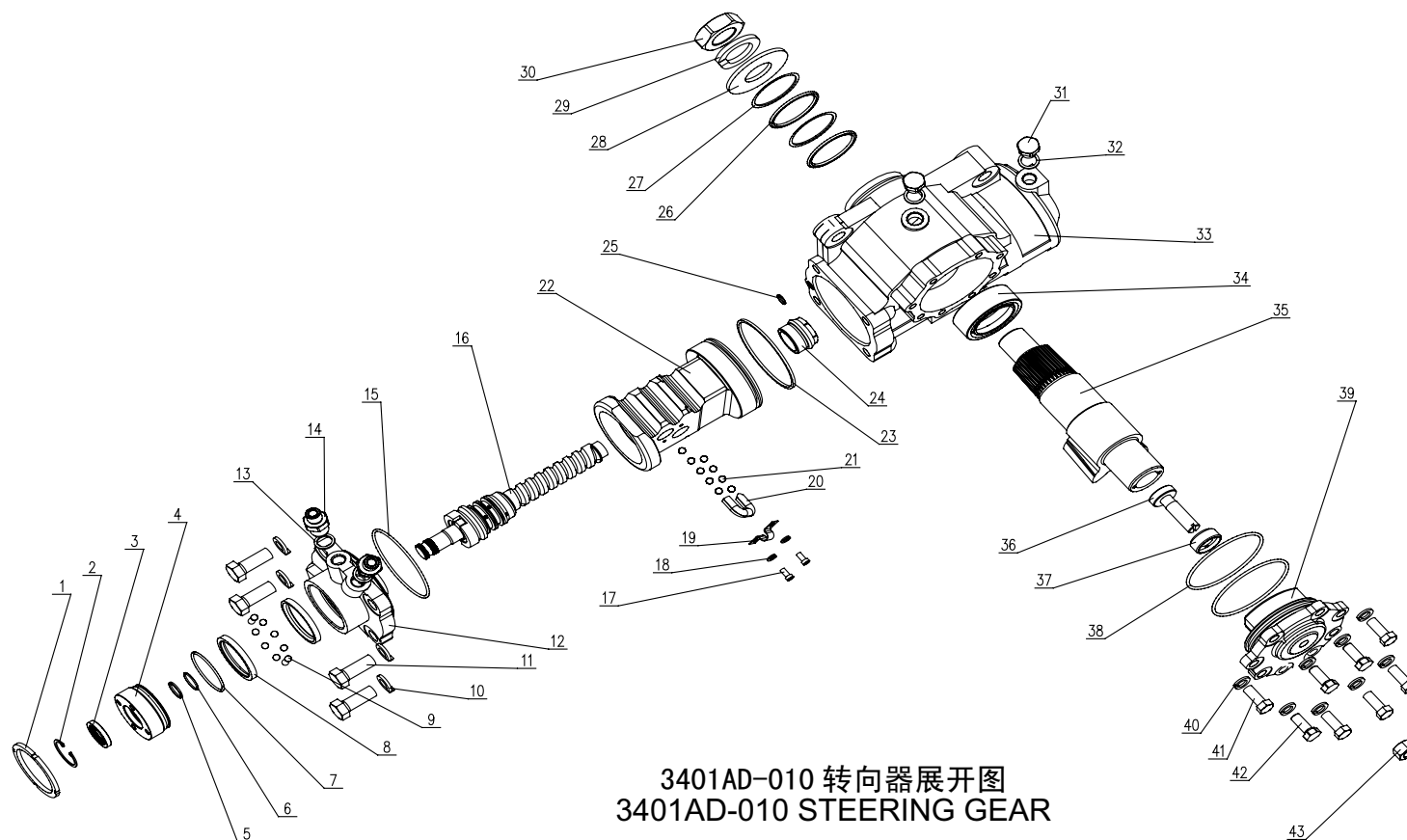
转向系统 / STEERING SYSTEM

34-4

序号 No.	件号 Part No.	数量 Quantity	名称 Name	规格 Specification	适用产品 Products Applied	备注 Remark
12	34AD-01361	2	防尘罩 Dust Cover			
13	34AD-01359	2	直拉杆球头密封圈 Drag Rod Ball End Seal Washer			
14	34AD-01352	2	螺旋弹簧 Coil Spring			
15	34AD-01355	2	球头塞 Ball End Plug			
16	3001044TSLA	1	转向节臂 Steering Knuckle Arm			
17	34AD-01350	1	转向直拉杆总成 Steering Drag Rod Assembly			
18	34AD-01011	2	直通接头体 Straight Connector			
18	34ADY-01012	2	铰接螺栓 Articulated Bolt		3401AD-010-B 转向器 3401AD-010-B Steering Gear	
18	34ADY-01013	2	铰接接头体 Articulated Connector		3401AD-010-B 转向器 3401AD-010-B Steering Gear	

转向器展开图 / STEERING GEAR

34-B

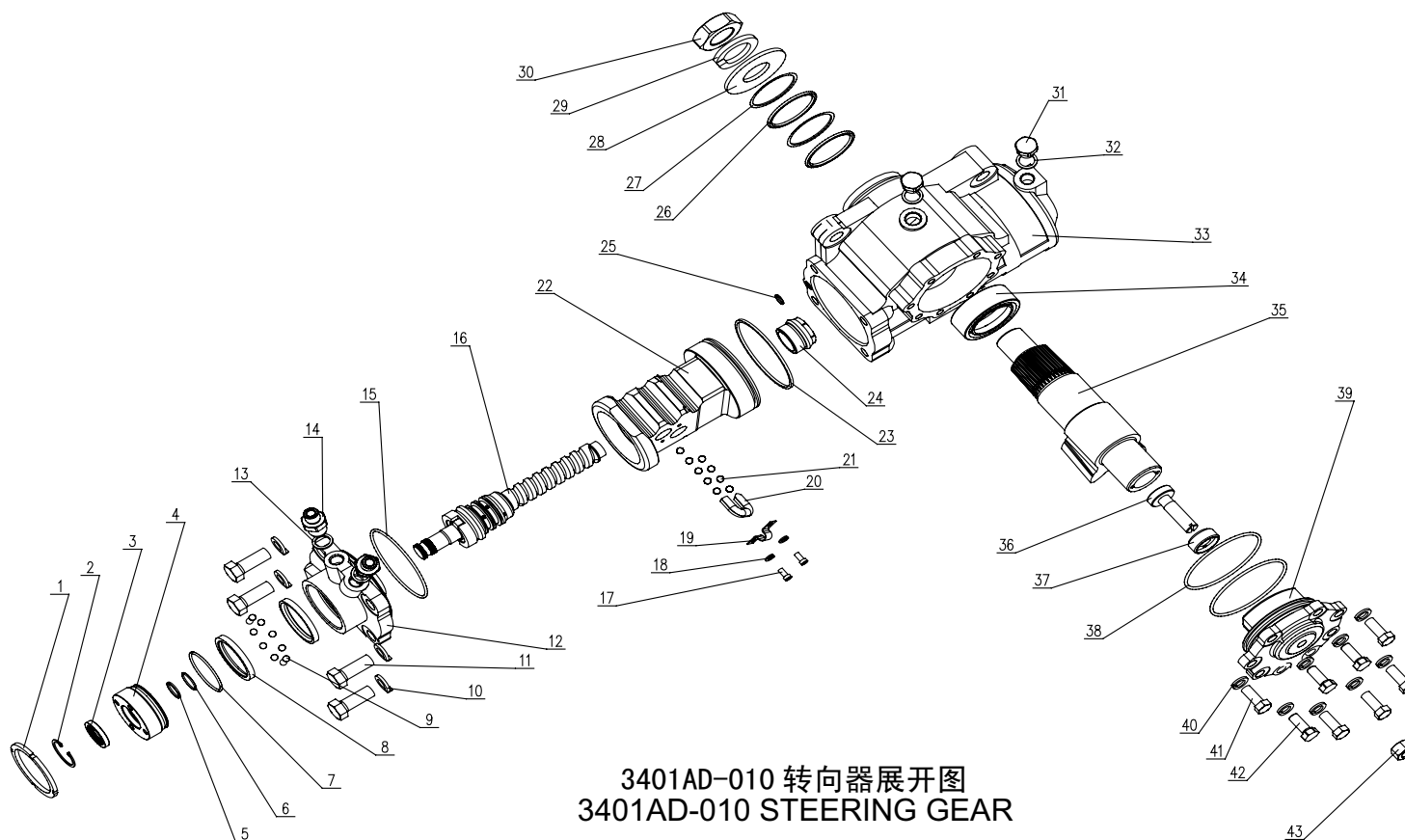


3401AD-010 转向器展开图
3401AD-010 STEERING GEAR

序号 No.	件号 Part No.	数量 Quantity	名称 Name	规格 Specification	适用产品 Products Applied	备注 Remark
1	GX90A-3401112	1	锁紧螺母 Lock Nut			
2	Q43040	1	孔用弹性挡圈 Snap Ring For Holes			
3	GX100B-3411065-20	1	油封总成 - 上盖 Oil Seal Assembly- Upper Cover			φ 25 × φ 40 × 7
4	ZJ110-3411111	1	螺塞 Plug			
5	GX100B-3411062-77	1	阀体密封环 Valve Body Seal Ring			φ 25 × φ 22.2 × 2
6	GB3452.1-92	1	O 形圈 O-Ring			φ 26.5 × 1.8G
7	GB3452.1-92	1	O 形圈 O-Ring			φ 63 × 2.65G
8	GX90C-3411112	2	轴承外圈 Bearing Outer Race			
9	GB308-84	20	钢球 Ball			φ 8
10	Q40316	4	弹簧垫圈 Spring Washer			16
11	Q151B1642TF3	4	六角头螺栓 Hexagon Head Bolt			M16 × 1.5 × 42
12	ZJ110-3411112	1	前盖 Front Cover			
13	Q72318	2	密封垫圈 Seal Washer			
14	ZJ110-3411002	2	进出油口接头 Oil-In And Oil-Out Connector			

转向器展开图 / STEERING GEAR

34-B



3401AD-010 转向器展开图
3401AD-010 STEERING GEAR

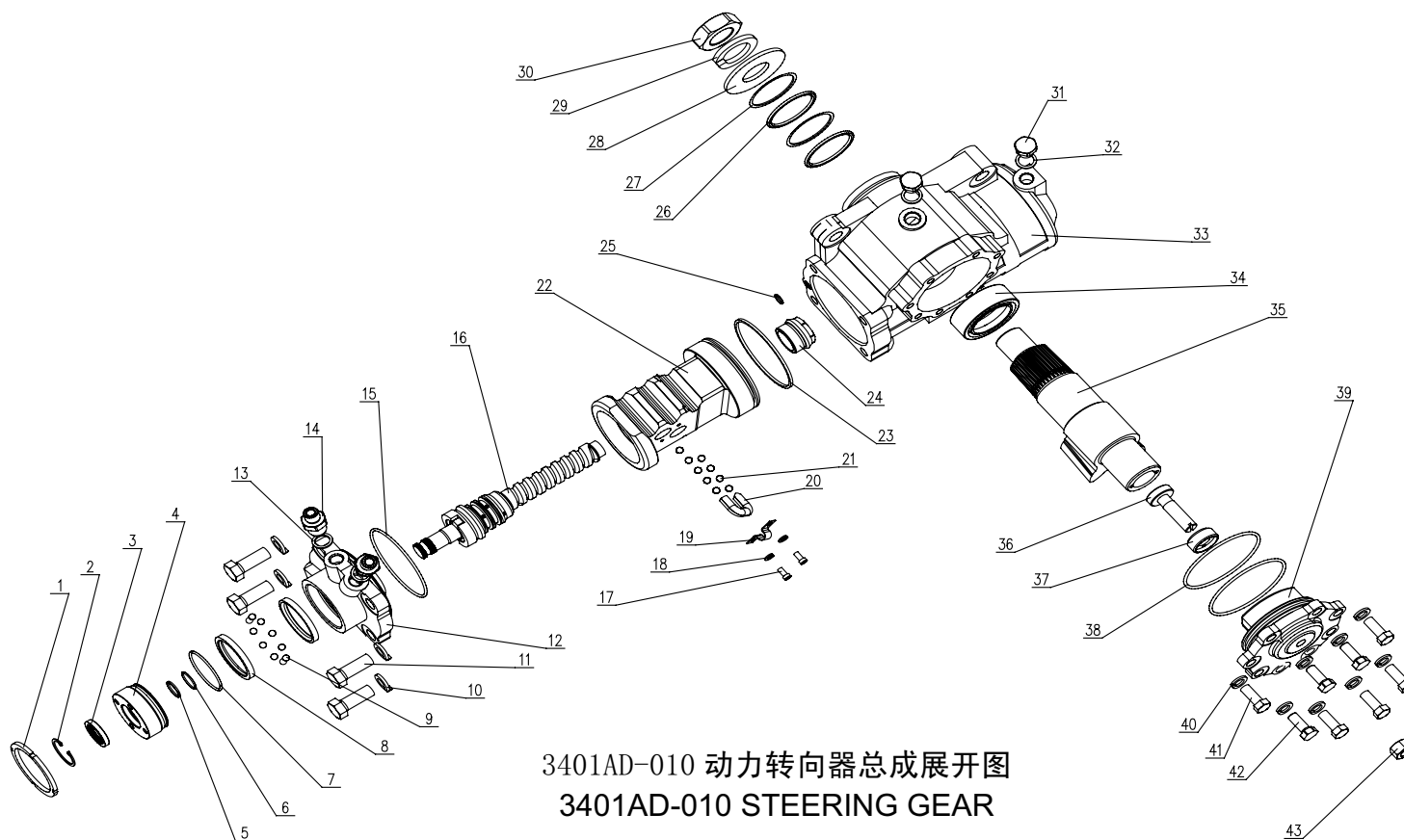
转向系统 / STEERING SYSTEM

34-8

序号 No.	件号 Part No.	数量 Quantity	名称 Name	规格 Specification	适用产品 Products Applied	备注 Remark
15	GX110-3411112	1	O形圈 O-Ring			$\phi 103.8 \times 3.1$
16	ZJ110-3411120	1	阀体总成 Valve Body Assembly			
17	Q218B0608	2	内六角螺钉 Inner Hexagon Screw			M6 \times 8
18	Q40306	2	弹簧垫圈 Spring Washer			$\phi 6$
19	GX100B-3411053-20	1	导管夹 Guide Clip			
20	GX100B-3411052-77	2	钢球导管 Ball Guide			
21	GB308-84	27	钢球 Ball			$\phi 8$
22	ZJ110-3411101	1	齿条活塞 Rack Piston			
23	GX110C-3411102	1	齿条活塞密封圈 Rack Piston Seal Washer			
24	GX100D-3411112	1	堵塞 Blockage			
25	GB3452.1-92	1	O形圈 O-Ring			$\phi 9.5 \times 1.8G$
26	ZJ120-3411401	2	摇臂轴输出端密封圈(二) Rocker Arm Shaft Output-End Seal Washer(2)			
27	ZJ120-3411402	2	摇臂轴输出端密封圈(一) Rocker Arm Shaft Output-End Seal Washer(1)			
28	Q40136	1	平垫圈 Plate Washer			$\phi 36$

转向器展开图 / STEERING GEAR

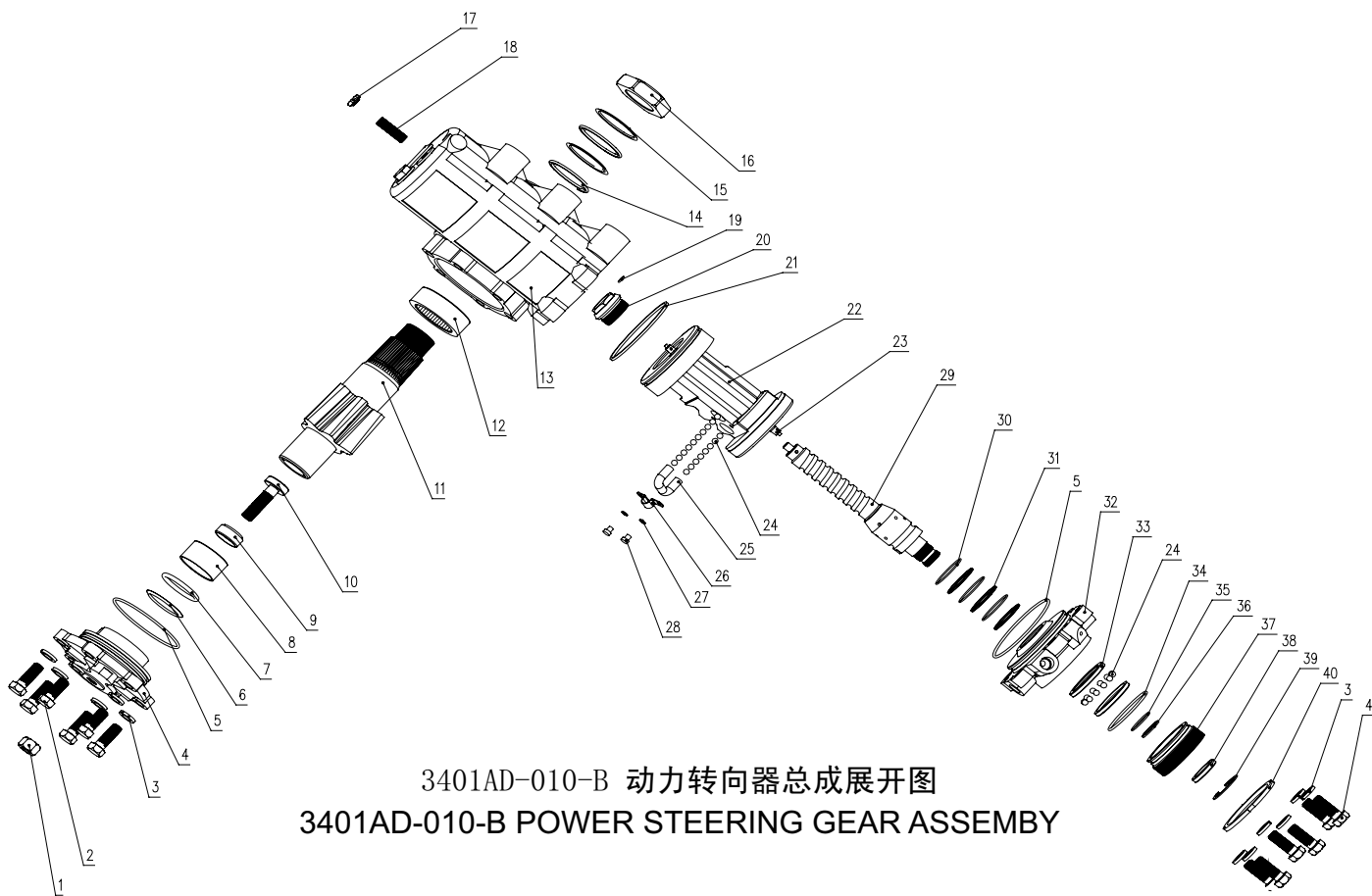
34-B



序号 No.	件号 Part No.	数量 Quantity	名称 Name	规格 Specification	适用产品 Products Applied	备注 Remark
29	GB93-87	1	弹簧垫圈 Spring Washer			φ36
30	GX100C-3411011JN	1	六角锁紧螺母 Hexagon Lock Nut			M36×1.5
31	GX90A-3401221	2	磁性螺塞体 Magnetic Plug Body			
32	Q72318	2	密封垫圈 Seal Washer			
33	ZJ110-3411201	1	壳体 Casing			
34	NK 60/28	1	无内圈滚针轴承 Needle Roller Bearing Without Inner Ring			
35	GX90C-3411311	1	摇臂轴 Rocker Arm Shaft			
36	GX90C-3411314	1	调整螺钉 Adjusting Screw			
37	GX90C-3411313	1	臂轴螺塞 Arm Shaft Plug			
38	GB3452.1-92	2	O形圈 O-Ring			φ97.5×3.55G
39	ZJ110-3411320	1	侧盖组件 Side Cover Set			
40	Q40312	8	弹簧垫圈 Spring Washer			φ12
41	Q151B1230TF3	5	六角头螺栓 Hexagon Head Bolt			M12×1.25×30
42	Q341B16	1	六角螺母 Hexagon Nut			M16×1.5

转向器展开图 / STEERING GEAR

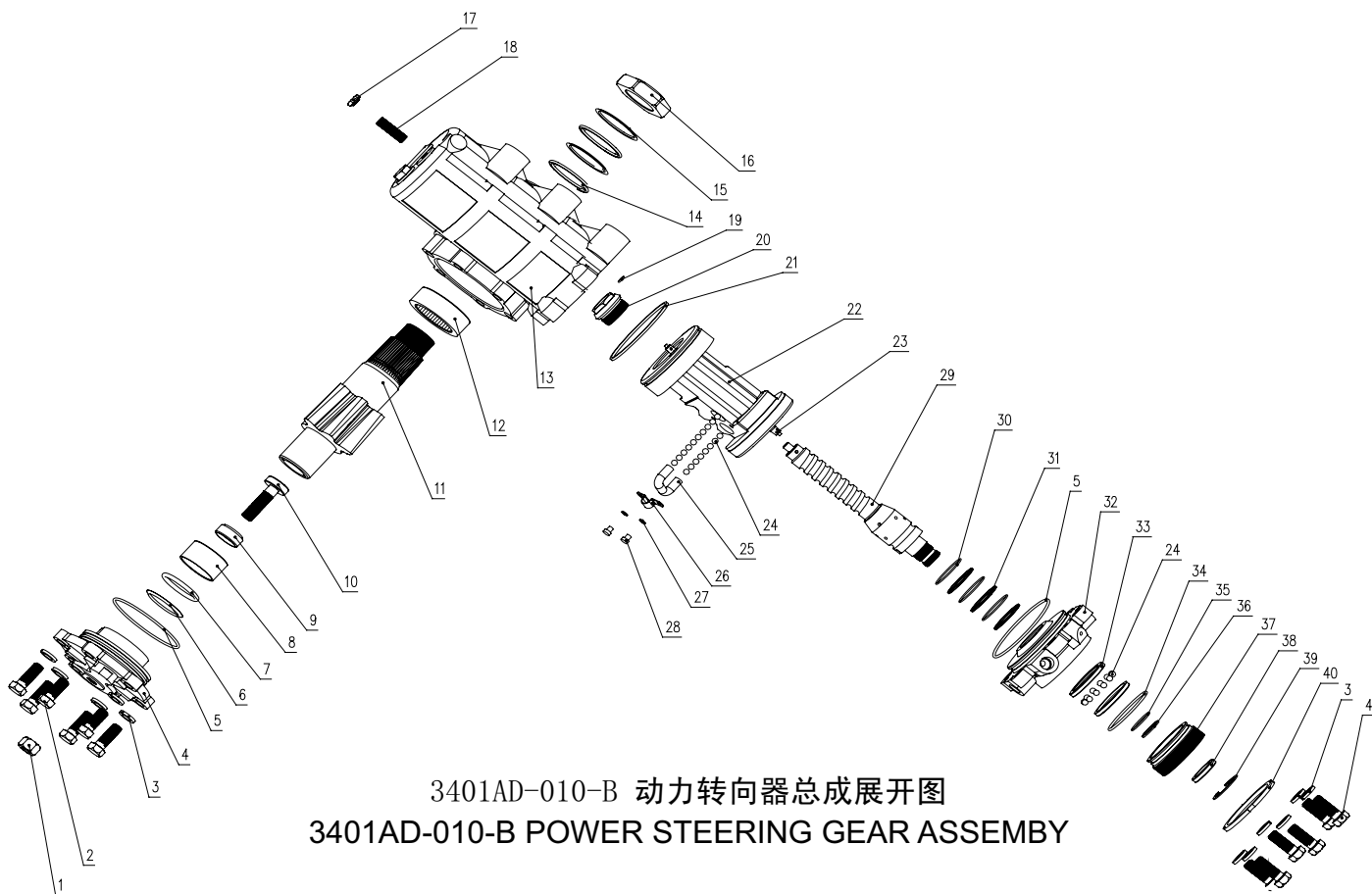
34-C



序号 No.	件号 Part No.	数量 Quantity	名称 Name	规格 Specification	适用产品 Products Applied	备注 Remark
1	Q341B16	1	六角螺母 Hexagon Nut			M16×1.5
2	Q151B1435	6	六角头螺栓 Hexagon Head Bolt			M14×1.5×35
3	Q40315	12	弹簧垫圈 Spring Washer			φ 14
4	GX110C-3411321	1	侧盖 Side Cover			
5	GX110C-3411112	3	O形圈 O-Ring			φ 103.8×3.1
6	GX110C-3411301	1	挡圈 Retainer			
7	GX110C-3411302	1	O形圈 O-Ring			φ 48.6×5.7
8	GX110C-34111322	1	复合轴承 Combination Bearing			
9	GX90C-3411313	1	臂轴螺塞 Arm Shaft Plug			
10	GX90C-3411314	1	调整螺钉 Adjusting Screw			
11	ZJ120-3411301	1	摇臂轴 Rocker Arm Shaft			
12	NK60/28	1	无内圈滚针轴承 Needle Roller Bearing Without Inner Ring			
13	ZJ120C-3411301	1	壳体 Casing			
14	ZJ120-3411402	2	摇臂轴输出端密封环 2 Rocker Arm Shaft Output-End Seal Ring 2			

转向器展开图 / STEERING GEAR

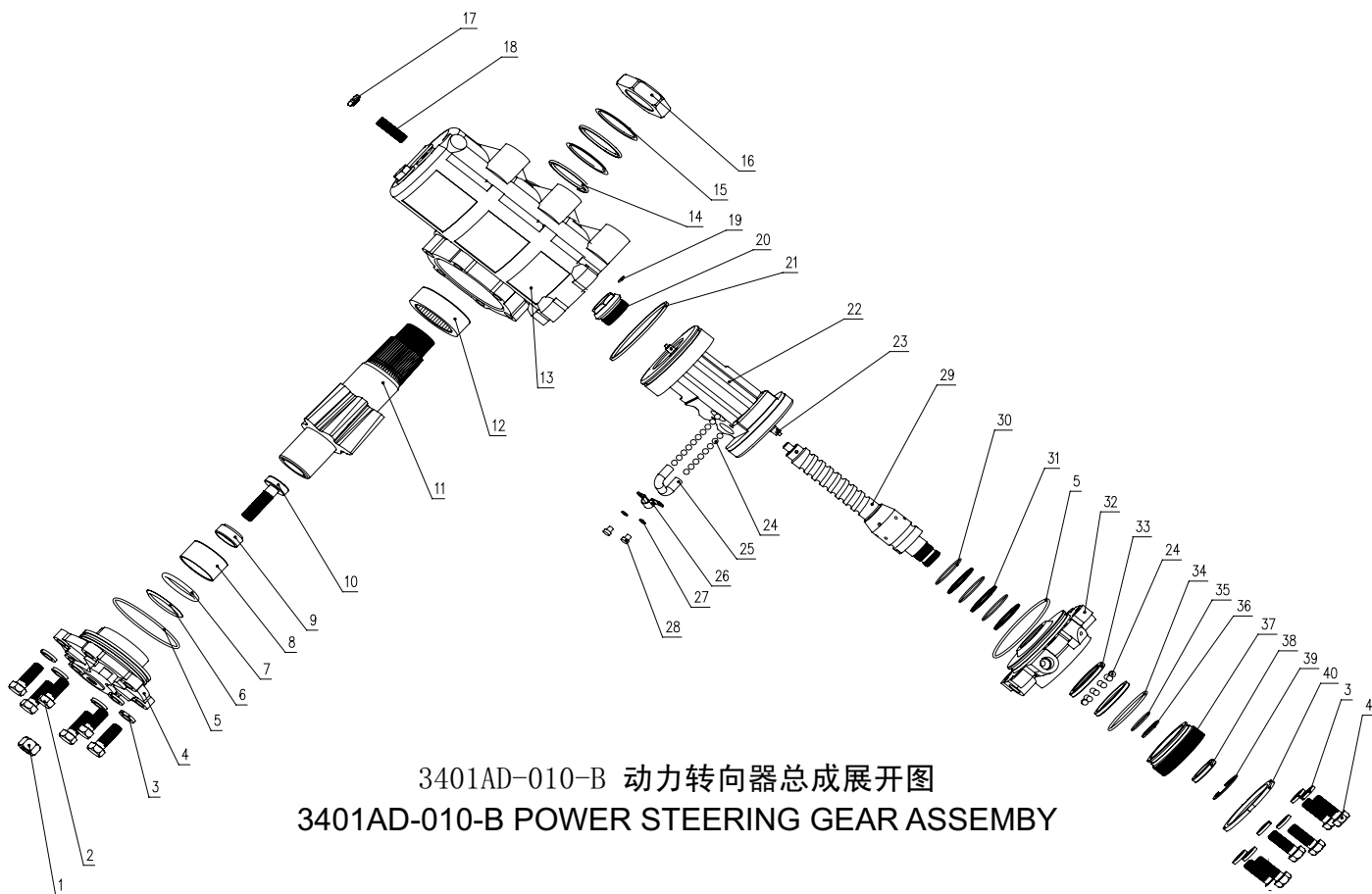
34-C



序号 No.	件号 Part No.	数量 Quantity	名称 Name	规格 Specification	适用产品 Products Applied	备注 Remark
15	ZJ120-3411401	2	摇臂轴输出端密封环 I Rocker Arm Shaft Output-End Seal Ring I			
16	ZJ120-3411004	1	六角锁紧螺母 Hexagon Lock Nut			
17	3401F-034	1	密封螺母 Seal Nut			
18	ZJ120C-3411308	1	行程限位螺钉 Stroke Limiting Screw			
19	GB3452.1-92	1	O 形圈 O-Ring			
20	GX100D-3411112	1	堵塞 Blockage			φ9.5×1.8
21	GX110C-3411102	1	齿条活塞密封圈 Rack Piston Seal Washer			
22	ZJ120-3411181	1	齿条活塞 Rack Piston			
23	GX100C-3411135JN	1	限位阀 Limiting Valve			
24	GB308-84	44	刚球 Ball			φ8
25	GX100B-3411052-77	2	刚球导管 Ball Guide			
26	GX100B-3411053-20	1	导管夹 Guide Clip			
27	Q40306	2	弹簧垫圈 Spring Washer			φ6
28	Q2180608	2	内六角螺栓 Inner Hexagon Bolt			M6×8

转向器展开图 / STEERING GEAR

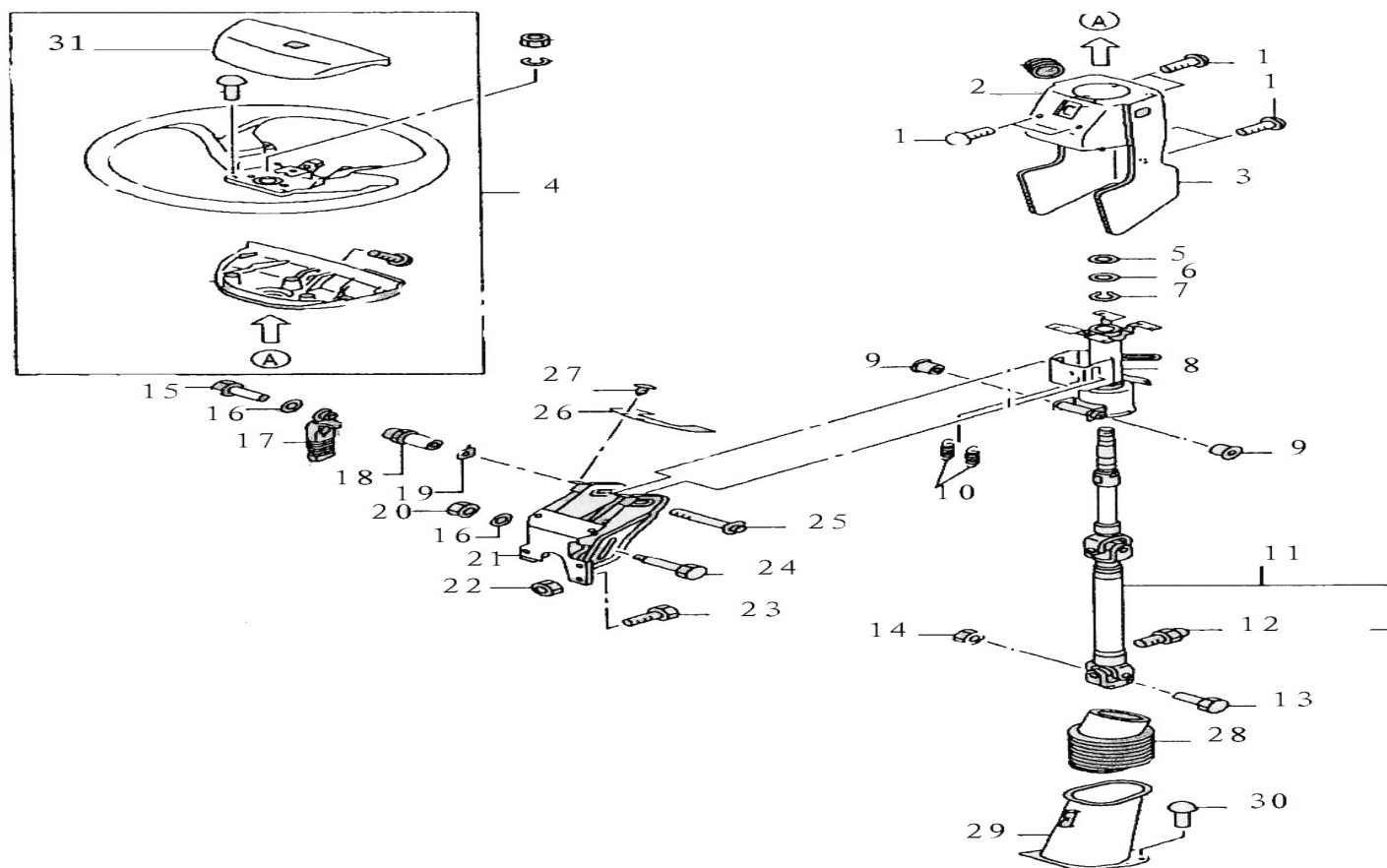
34-C



序号 No.	件号 Part No.	数量 Quantity	名称 Name	规格 Specification	适用产品 Products Applied	备注 Remark
29	ZJ120C-3411110	1	阀体总成 Valve Body Assembly			
30	ZJ120C-3411153	3	O形圈 O-Ring			φ47.2×1.8
31	ZJ120C-3411152	3	密封环 Seal Ring			
32	ZJ120C-3411151	1	前盖 Front Cover			
33	ZJ120C-3411111	2	轴承外圈 Bearing Outer Race			组合件 Components
34	Q7343175C	1	O形圈 O-Ring			
35	GB3452.1-92	1	O形圈 O-Ring			φ30×1.8
36	GX110C-3411115	1	密封环 Seal Ring			
37	ZJ120C-3411171	1	螺塞 Plug			
38	GX90A-3401111	1	双唇口骨架油封 Double Lip Frame Seal			
39	Q43040	1	孔用弹性挡圈 Elastic Ring For Hole			
40	GX100B-3411166-77	1	防松螺母 - 上盖 Check Nut-Upper Cover			
41	Q151B1440	6	六角头螺栓 Hexagon Head Bolt			M14×1.5×40

转向管柱图 / STEERING COLUMN

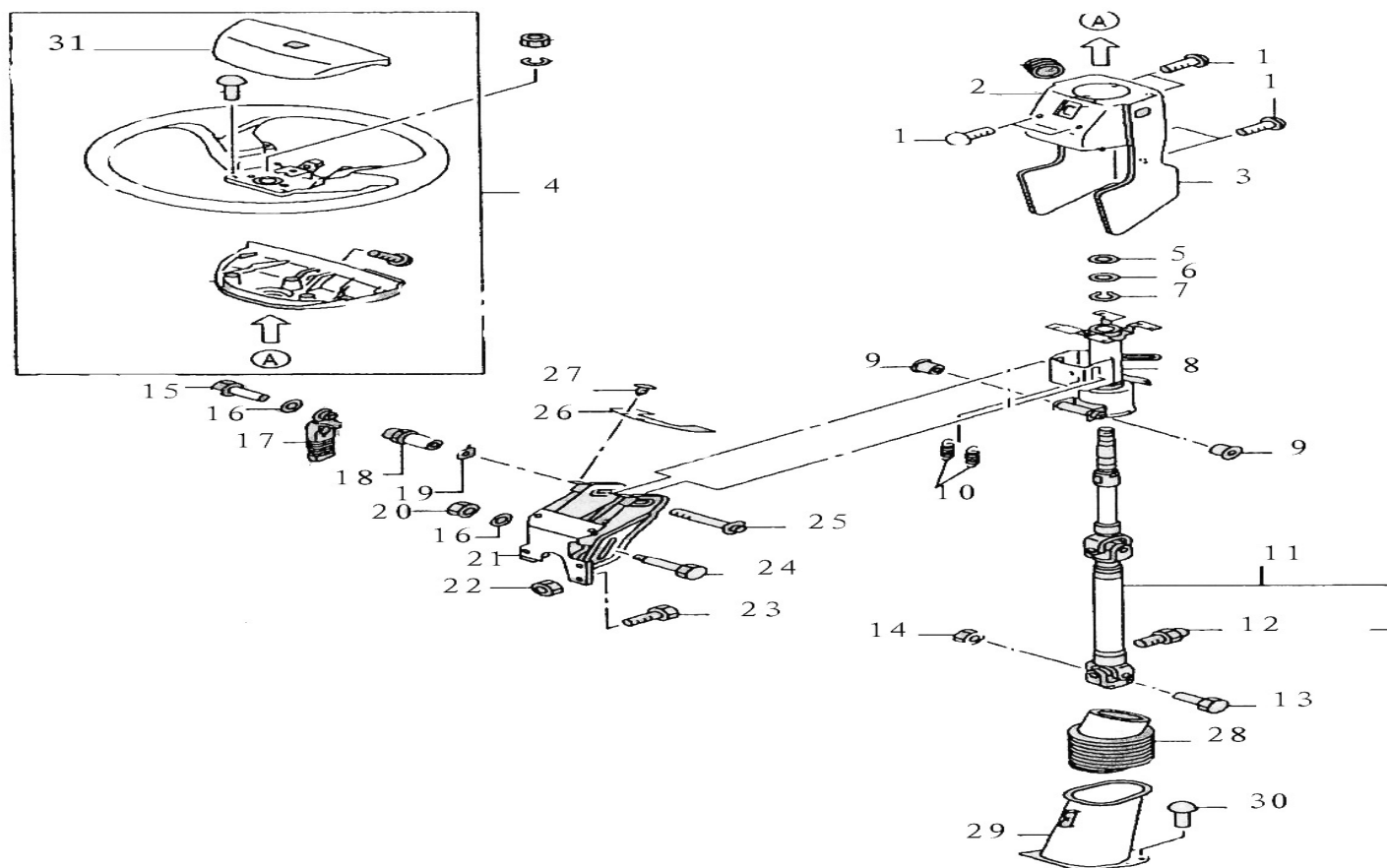
34-D



序号 No.	件号 Part No.	数量 Quantity	名称 Name	规格 Specification	适用产品 Products Applied	备注 Remark
1	Q2360516	6	组合螺钉 Combination Screw			
2	53A-05211	1	转向柱上护罩 - 前 Steering Column Upper Shield-Front			
3	53A-05212	1	转向柱上护罩 - 后 Steering Column Lower Shield-Rear			
4	53A-05210	1	方向盘总成 Steering Wheel Assembly			
5	Q43125	1	轴用弹性挡圈 Spring Retainer For Axle			
6	FST03.01-3404031	1	碗形垫圈 Bowl Washer			
7	FST03.01-3404032	1	橡胶垫片 Rubber Shim			
8	FST03.01-3404042	1	转向柱上支架 Steering Column Upper Bracket			
9	FST03.01-3404057	2	衬套 Bushing			
10	FST03.01-3404066	2	拉伸弹簧 Extension Spring			
11	EQ153 转	1	转向节 Steering Knuckle			
12	Q701B45	1	润滑嘴 Grease Nozzle			
13	Q150B1045	1	六角头螺栓 Hexagon Head Bolt			
14	Q33010	1	全金属六角法兰面锁紧螺母 All-Metal Hexagonal With Flange Lock Nut			

转向管柱图 / STEERING COLUMN

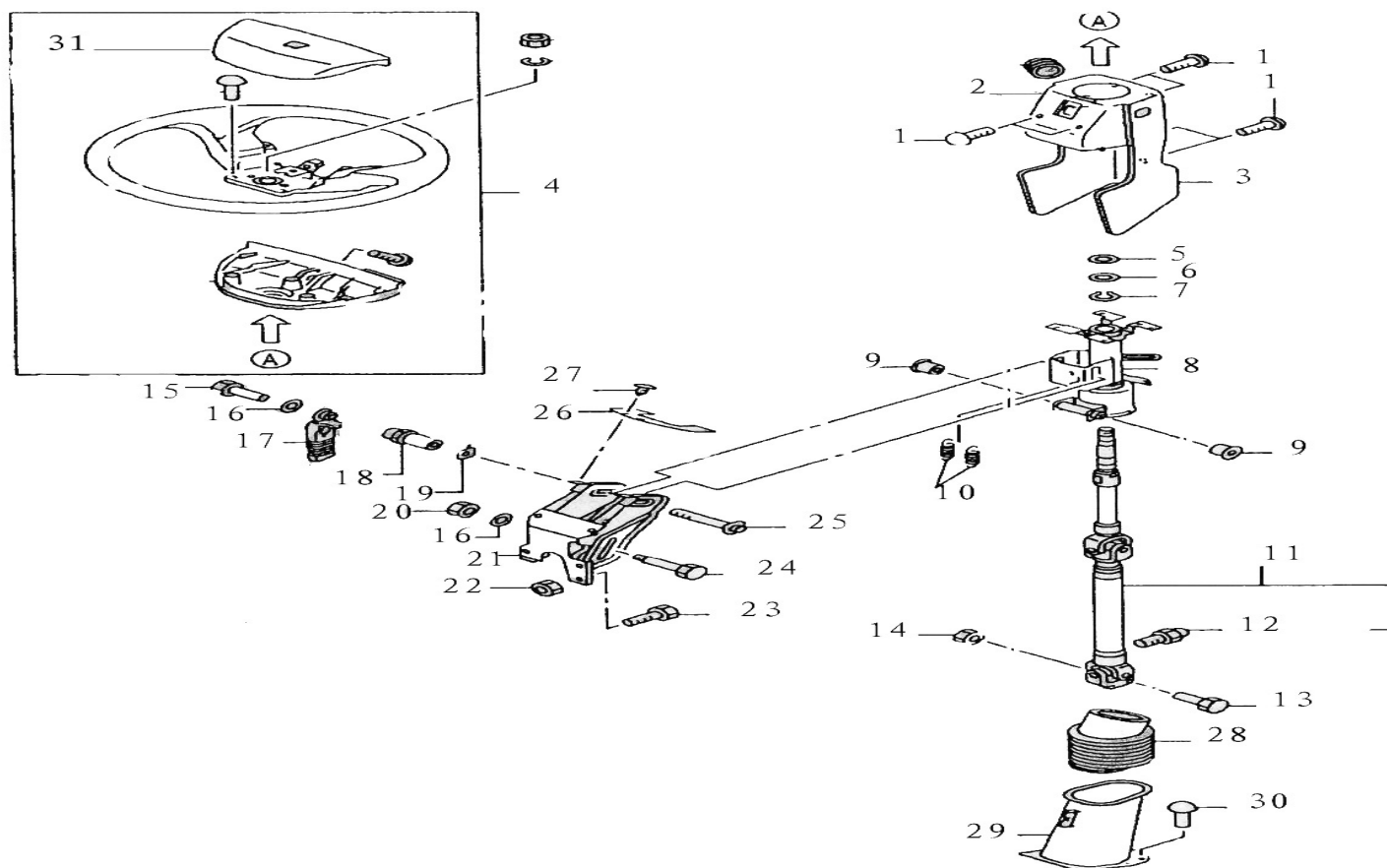
34-D



序号 No.	件号 Part No.	数量 Quantity	名称 Name	规格 Specification	适用产品 Products Applied	备注 Remark
15	Q1800812	1	六角法兰面承面带齿螺栓 Hexagon Carring Side Tooth Bolt With Flange			
16	3404053	2	垫圈 Washer			
17	FST03.01-3404065	1	手柄总成 Handle Assembly			
18	FST03.01-3404063	1	压紧螺母 Tension Nut			
19	FST03.01-3404053	1	垫圈 Washer			
20	Q33408	1	锁紧螺母 Lock Nut			
21	FST03.01-3404043	1	转向柱下支架 Steering Column Lower Bracket			
22	Q32008	2	六角法兰面螺母 Hexagon Nut With Flange			
23	Q1460820	2	六角组合螺栓 Hexagon Combination Bolt			
24	FST03.01-3404052	1	下螺栓 Lower Bolt			
25	FST03.01-3404056	1	锁紧螺栓 Lock Bolt			
26	FST03.01-3404018	1	支架盖板 Bracket Panel			
27	FST03.01-3404019	2	管夹 Tube Clamp			
28	53A-05214	1	转向柱橡胶护罩 Steering Column Rubber Shield			

转向管柱图 / STEERING COLUMN

34-D



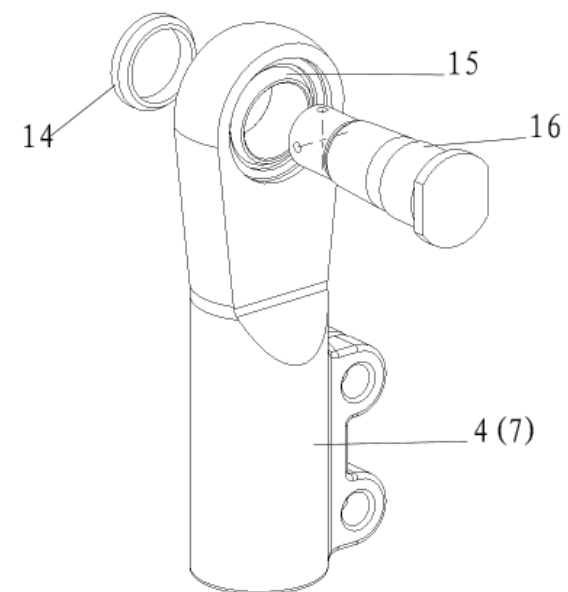
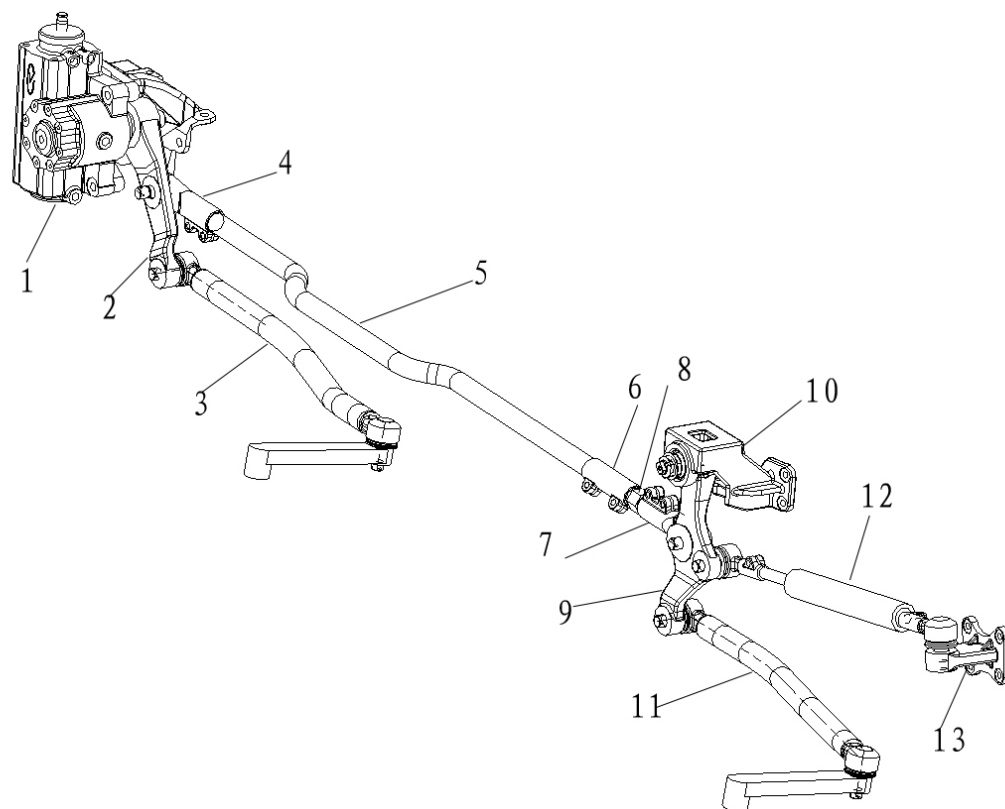
转向系统 / STEERING SYSTEM

34-22

序号 No.	件号 Part No.	数量 Quantity	名称 Name	规格 Specification	适用产品 Products Applied	备注 Remark
29	53A-05213	1	转向柱下护罩 Steering Column Lower Shield			
30	Q1460825	4	六角头组合螺栓 Hexagon Head Combination Bolt			
31	53A-05028	1	方向盘盖板总成 Steering Wheel Panel Assembly			

转向直拉杆和垂臂 / STEERING DRAG LINK AND STEERING DROP ARM

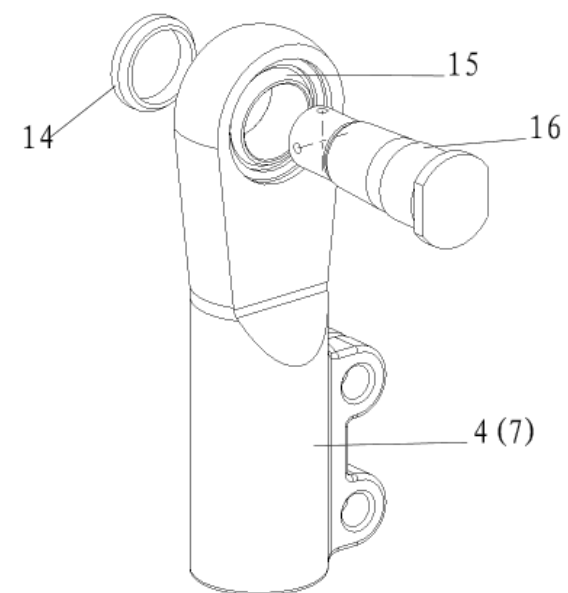
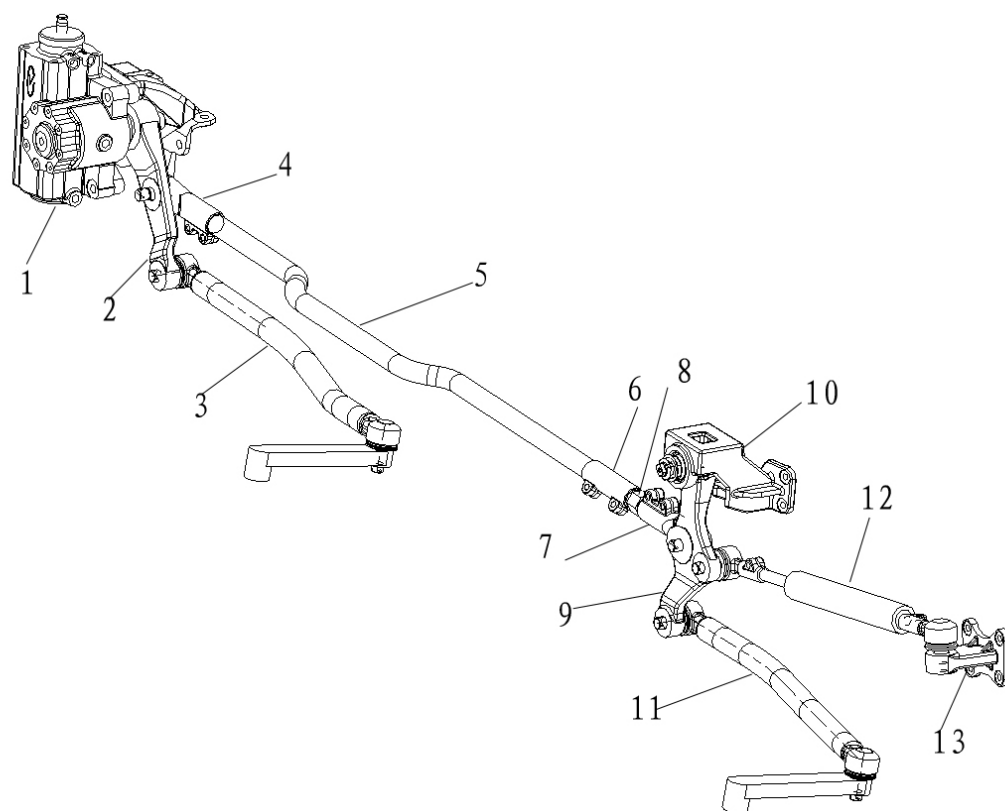
34-E



序号 No.	件号 Part No.	数量 Quantity	名称 Name	规格 Specification	适用产品 Products Applied	备注 Remark
1	3401ADP5-010	1	转向器 Steering Gear		8×4 系列 8×4 Series	
2	34ADP5-01310	1	转向垂臂 Steering Drop Arm		8×4 系列 8×4 Series	
3	34AD-01350	1	转向直拉杆总成 Steering Drag Rod Assembly		8×4 系列 8×4 Series	
4	34ADP5-01360	1	轴承支座 Bearing Mount		8×4 系列 8×4 Series	
5	34ADP5-01365	1	转向连杆 Steering Connecting Rod		8××4 系列 8×4 Series	
6	34ADP5-01366	1	连杆卡套 Connecting Rod Cutting Sleeve		8×4 系列 8×4 Series	
7	34ADP5-01360	1	轴承支座 Bearing Mount		8×4 系列 8×4 Series	
8	34ADP5-01367	1	调节杆 Regulating Stem		8×4 系列 8×4 Series	
9	34ADP5-01378	1	中间垂臂 Middle Drop Arm		8×4 系列 8×4 Series	
10	34ADP5-01370	1	中间臂支架 Middle Arm Bracket		8×4 系列 8×4 Series	
11	34ADP5-01380	1	第二直拉杆 Second Drag Rod		8×4 系列 8×4 Series	
12	34ADP5-01390	1	转向助力油缸 Steering Boost Oil Cylinder		8×4 系列 8×4 Series	
13	34ADP5-01397	1	油缸球头支座 Oil Cylinder Ball Mount		8×4 系列 8×4 Series	
14	34ADP5-01363	1	垫圈 Washer		8×4 系列 8×4 Series	

转向直拉杆和垂臂 / STEERING DRAG LINK AND STEERING DROP ARM

34-E



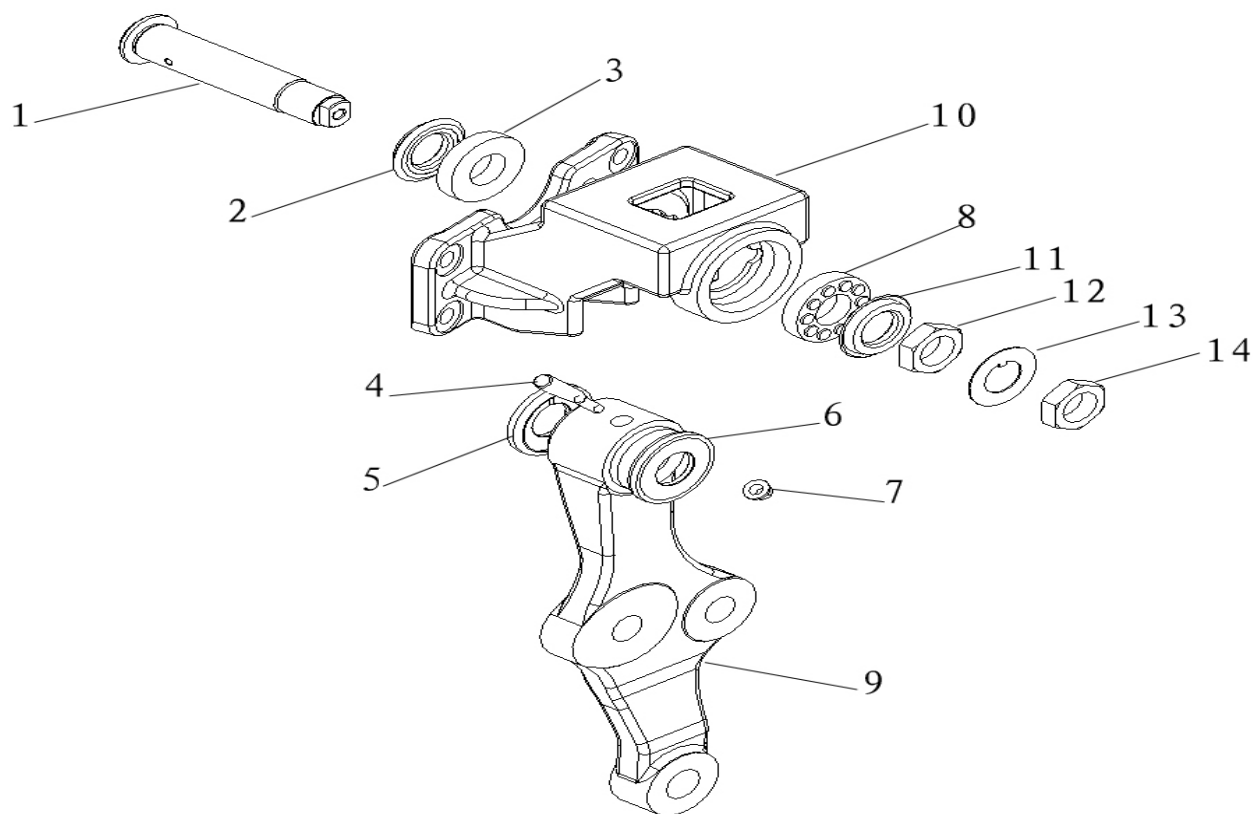
转向系统 / STEERING SYSTEM

34-26

序号 No.	件号 Part No.	数量 Quantity	名称 Name	规格 Specification	适用产品 Products Applied	备注 Remark
15	GE30	2	关节轴承 Knuckle Bearing		8×4 系列 8×4 Series	
16	34ADP5-01362	2	销 Pin		8×4 系列 8×4 Series	

中间臂支架及垂臂装配图 / MIDDLE ARM BRACKET AND DROP ARM

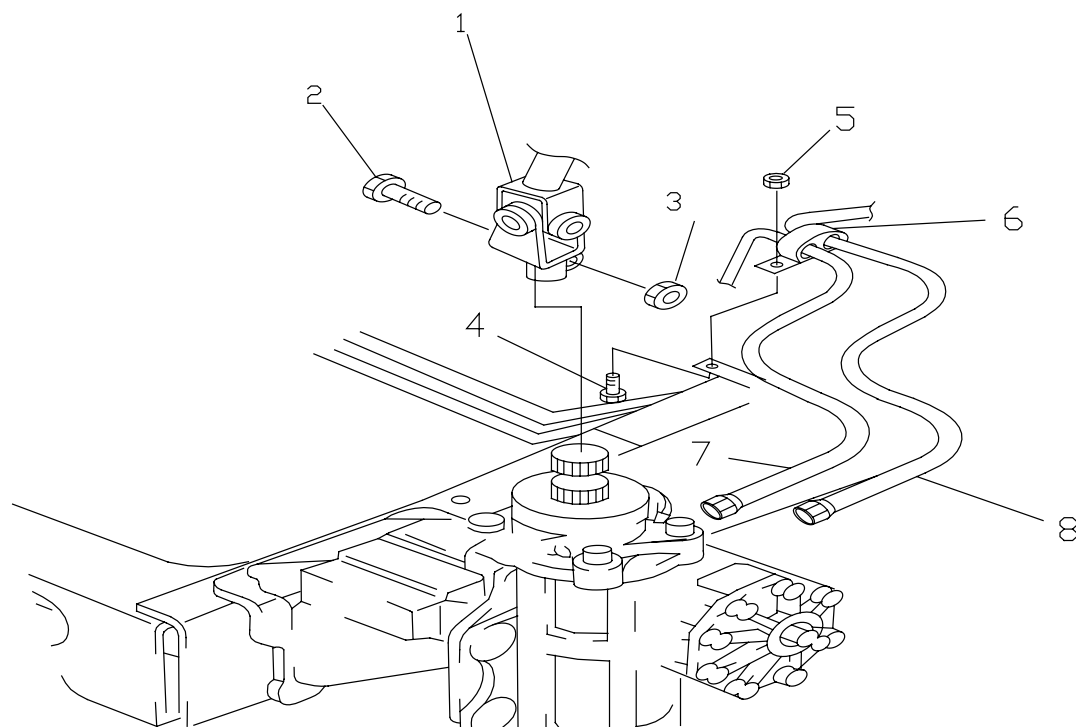
34-F



序号 No.	件号 Part No.	数量 Quantity	名称 Name	规格 Specification	适用产品 Products Applied	备注 Remark
1	34ADP5-01372	1	轴 Axle		8×4 系列 8×4 Series	
2	34ADP5-01376	1	密封垫片 I Seal Shim I		8×4 系列 8×4 Series	
3	7206E	1	锁销 Knock Pin		8×4 系列 8×4 Series	
4	34ADP5-01379	1	密封垫片 II Seal Shim II		8×4 系列 8×4 Series	
5	34ADP5-01377	1	密封垫片 II Seal Shim II		8×4 系列 8×4 Series	
6	34ADP5-01377	1	六角法兰面螺母 Hexagon Nut With Flange		8×4 系列 8×4 Series	
7	Q32008	1	轴承 Bearing		8×4 系列 8×4 Series	
8	7206E	1	中间垂臂 Middle Drop Arm		8×4 系列 8×4 Series	
9	34ADP5-01378	1	中间臂支架 Middle Arm Bracket		8×4 系列 8×4 Series	
10	34ADP5-01370	1	中间臂支架 Middle Arm Bracket		8×4 系列 8×4 Series	
11	34ADP5-01376	1	密封垫片 I Seal Shim I		8×4 系列 8×4 Series	
12	Q387B24	1	六角薄螺母 Hexagonal Thin Nut		8×4 系列 8×4 Series	
13	34ADP5-01374	1	锁片 Locking Plate		8×4 系列 8×4 Series	
14	Q387B24	1	六角开槽薄螺母 Hexagon Slotted Thin Nut		8×4 系列 8×4 Series	

转向器连转向管柱图

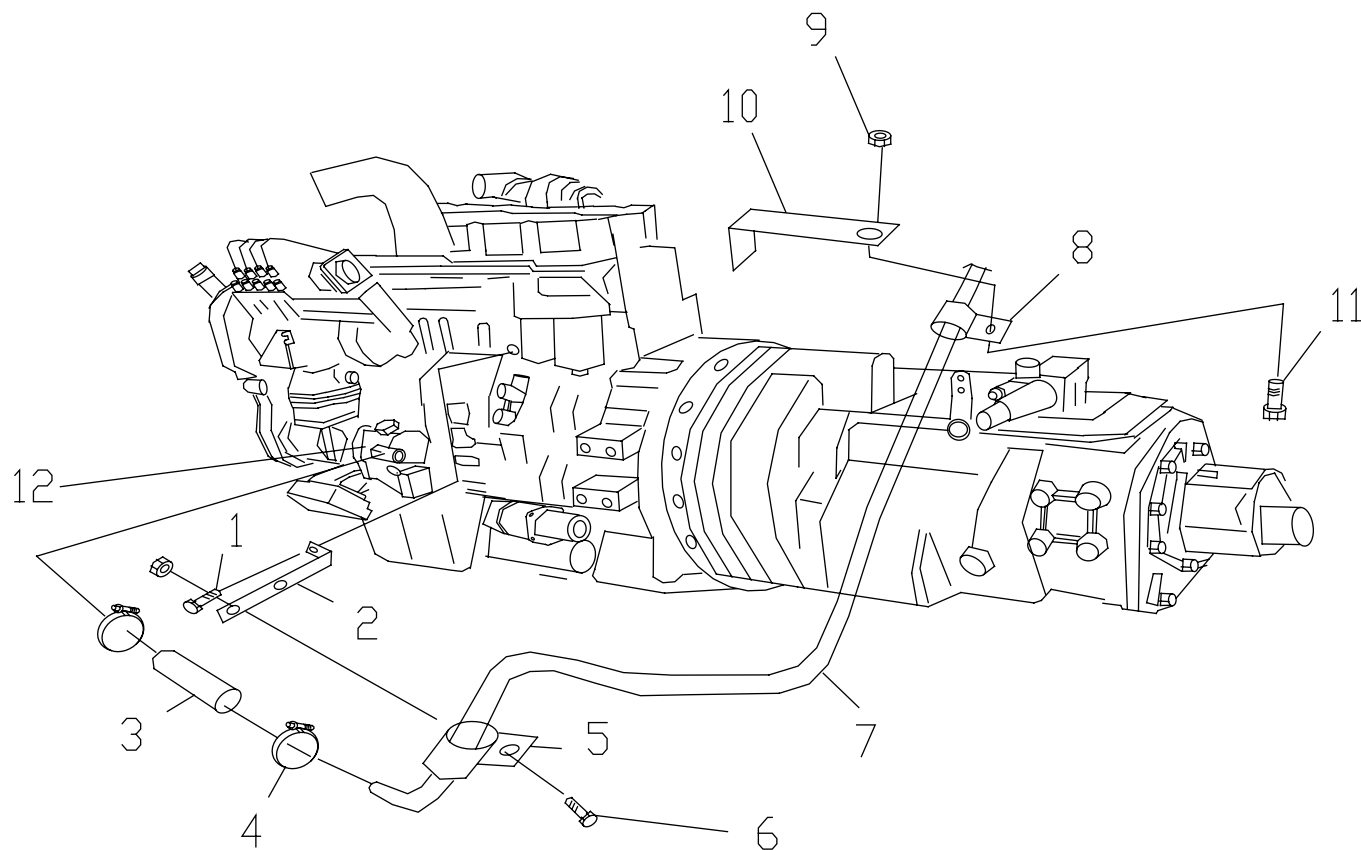
STEERING GEAR CONNECTING STEERING COLUMN

34-G

序号 No.	件号 Part No.	数量 Quantity	名称 Name	规格 Specification	适用产品 Products Applied	备注 Remark
1	3404AD-010	1	转向轴及万向节 Steering Shaft And Universal Joint			
1	3404AD-010-B		转向轴及万向节 Steering Shaft And Universal Joint		3403AD-010-B 转向器 3403AD-010-B Steering Gear	
2	Q150B1045	1	六角头螺栓 Hexagon Head Bolt			
3	Q33010	1	全金属六角法兰面锁紧螺母 All-Metal Hexagon Lock Nut With Flange			
4	Q1460616	1	六角头平垫圈组合螺栓 Hexagon Head And Plate Washer Combination Bolt			
5	Q340B06	1	六角螺母 Hexagon Nut			
6	37AD-33418	1	定位夹 Locating Clip			
7	34A4D-06005	1	油管 Oil Pipe		3403AD-010-B 转向器 3403AD-010-B Steering Gear	
8	34A4D-06035	1	油管 Oil Pipe		3403AD-010-B 转向器 3403AD-010-B Steering Gear	

转向油管连转向油泵图 / STEERING OIL PIPE CONNECTING STEERING OIL PUMP

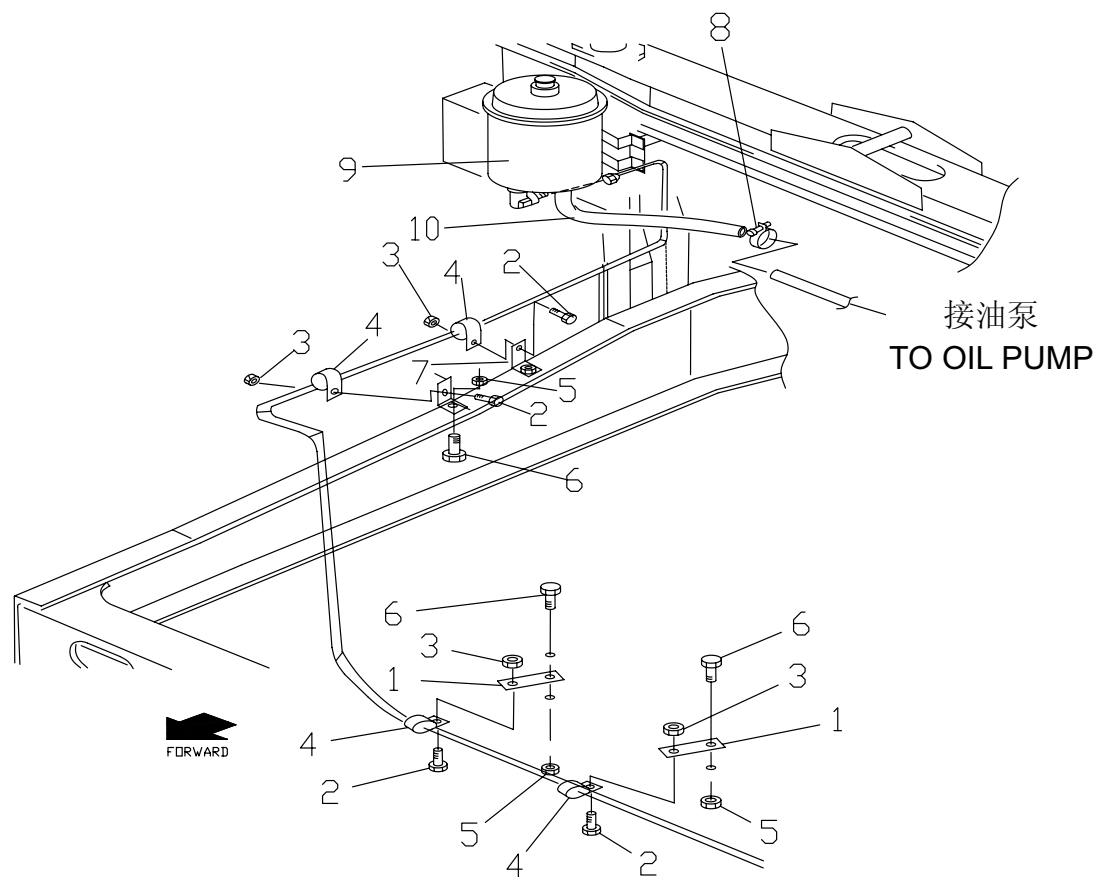
34-H



序号 No.	件号 Part No.	数量 Quantity	名称 Name	规格 Specification	适用产品 Products Applied	备注 Remark
1	Q1460825	1	六角头法兰面螺栓 Hexagon Head Bolt With Flange			
2	37AD-34052	1	支架 Bracket			
3	34A4D-07016	1	橡胶软管 Rubber Hose			
4	Q67545	2	A型蜗杆传动式软管环箍 A Type Worm Transmission Hose Snap Ring			
5	37AD-33426	1	定位夹 Locating Clip			
6	Q1460620	1	六角头组合螺栓 Hexagon Head Combination Bolt			
7	34A4D-07017	1	转向进油管 Steering Oil Inlet Pipe			
8	37AD-33426	1	定位夹 Locating Clip			
9	Q340B06	1	I型六角螺母 Hexagon Full Nut			
10	34A4D-07019	1	支架 Bracket			
11	Q1460620	1	六角头组合螺栓 Hexagon Head Combination Bolt			
12	3407A4D-010	1	动力转向油泵 Power Steering Pump			

转向油管图 / STEERING OIL PIPE

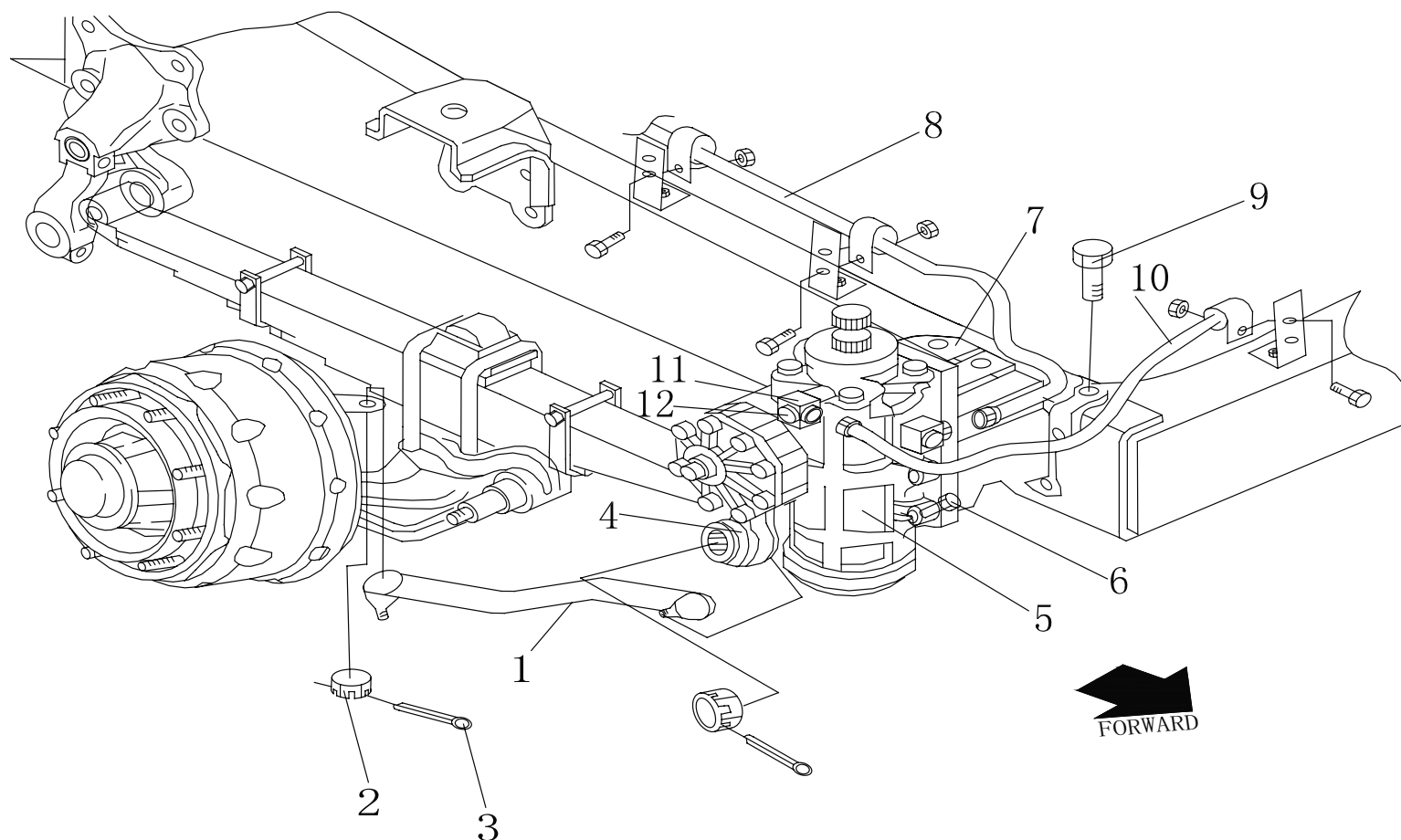
34-1



序号 No.	件号 Part No.	数量 Quantity	名称 Name	规格 Specification	适用产品 Products Applied	备注 Remark
1	16AD-07031	2	支架 Bracket			
2	Q1460616	2	六角头螺栓 Hexagon Head Bolt			
3	Q340B06	2	I型六角螺母 Hexagon Full Nut			
4	37AD-33404	3	支架 Bracket			
5	Q340B08	4	I型六角螺母 Hexagon Full Nut			
6	Q1460825	4	六角头螺栓 Hexagon Head Bolt			
7	37AD-34004	2	支架 Bracket			
8	Q67545	2	A型蜗杆传动式环箍 A Type Worm Transmission Snap Ring			
9	3408AD-010	1	转向储油罐 Steering Oil Reservoir			
10	34A4D-07016	1	橡胶软管 Rubber Hose			

右驾转向直拉杆和转向垂臂图
STEERING DRAG LINK AND STEERING DROP ARM OF RHD

34-J



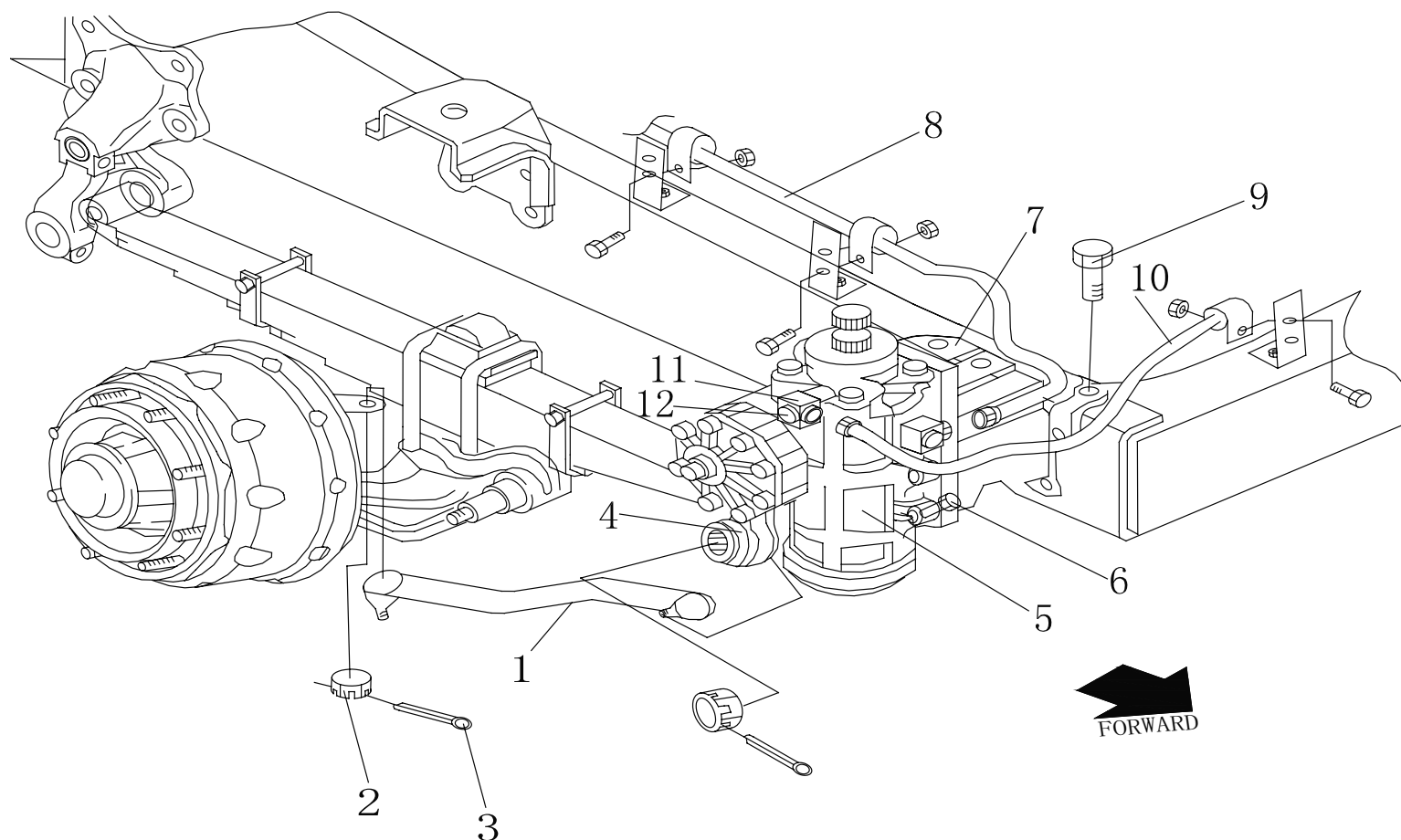
转向系统 / STEERING SYSTEM

34-36

序号 No.	件号 Part No.	数量 Quantity	名称 Name	规格 Specification	适用产品 Products Applied	备注 Remark
1	34ADY-01350	1	转向直拉杆总成 Steering Drag Rod Assembly			
2	Q387B24	2	六角开槽薄螺母 Hexagon Slotted Thin Nut			
3	Q5000545	2	开口销 Cotter Pin			
4	34ADY-01310	1	转向垂臂 Steering Drop Arm			
5	3401ADY-010	1	转向器 Steering Gear			
6	Q151B2055TF3	4	六角头螺栓 Hexagon Head Bolt			
6	Q40320	4	弹簧垫圈 Spring Washer			
7	3403ADY-010	1	转向器支架 Steering Gear Bracket			
8	34ADY-06005	1	转向油管 Steering Oil Pipe			
9	Q151B1845TF3	6	六角头螺栓 Hexagon Head Bolt			
9	Q40318	6	弹簧垫圈 Spring Washer			
9	Q341B18T13F2	6	六角螺母 Hexagon Nut			
10	34ADY-06035	1	转向油管 Steering Oil Pipe			
11	34ADY-01013	2	铰接接头体 Articulated Connector			

右驾转向直拉杆和转向垂臂图
STEERING DRAG LINK AND STEERING DROP ARM OF RHD

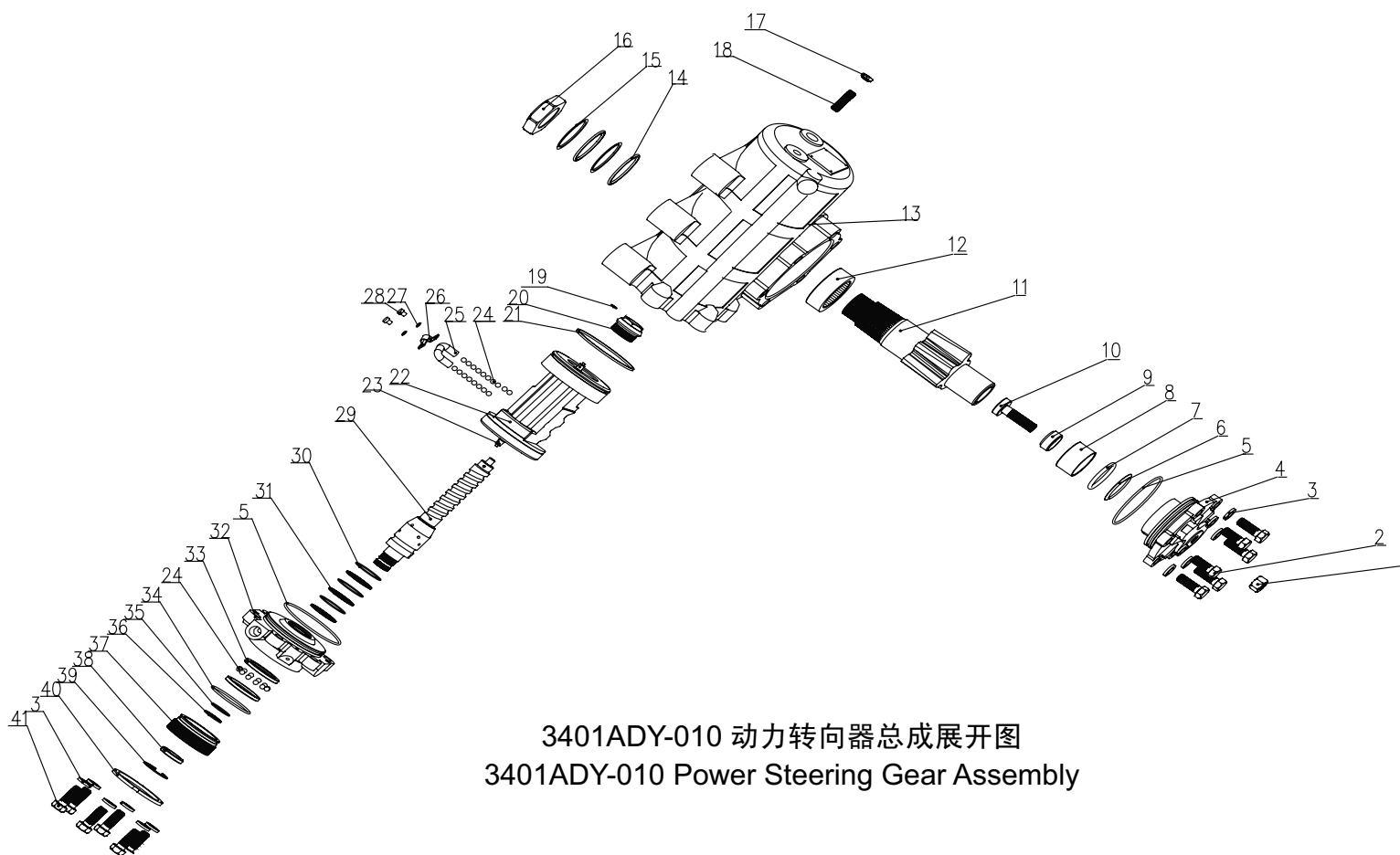
34-J



序号 No.	件号 Part No.	数量 Quantity	名称 Name	规格 Specification	适用产品 Products Applied	备注 Remark
12	34ADY-01012	2	六角铰接螺栓 Hexagon Articulated Bolt			
12	Q70318	4	密封垫片 Seal Shim			

右驾转向器展开图 / STEERING GEAR OF RHD

34-K

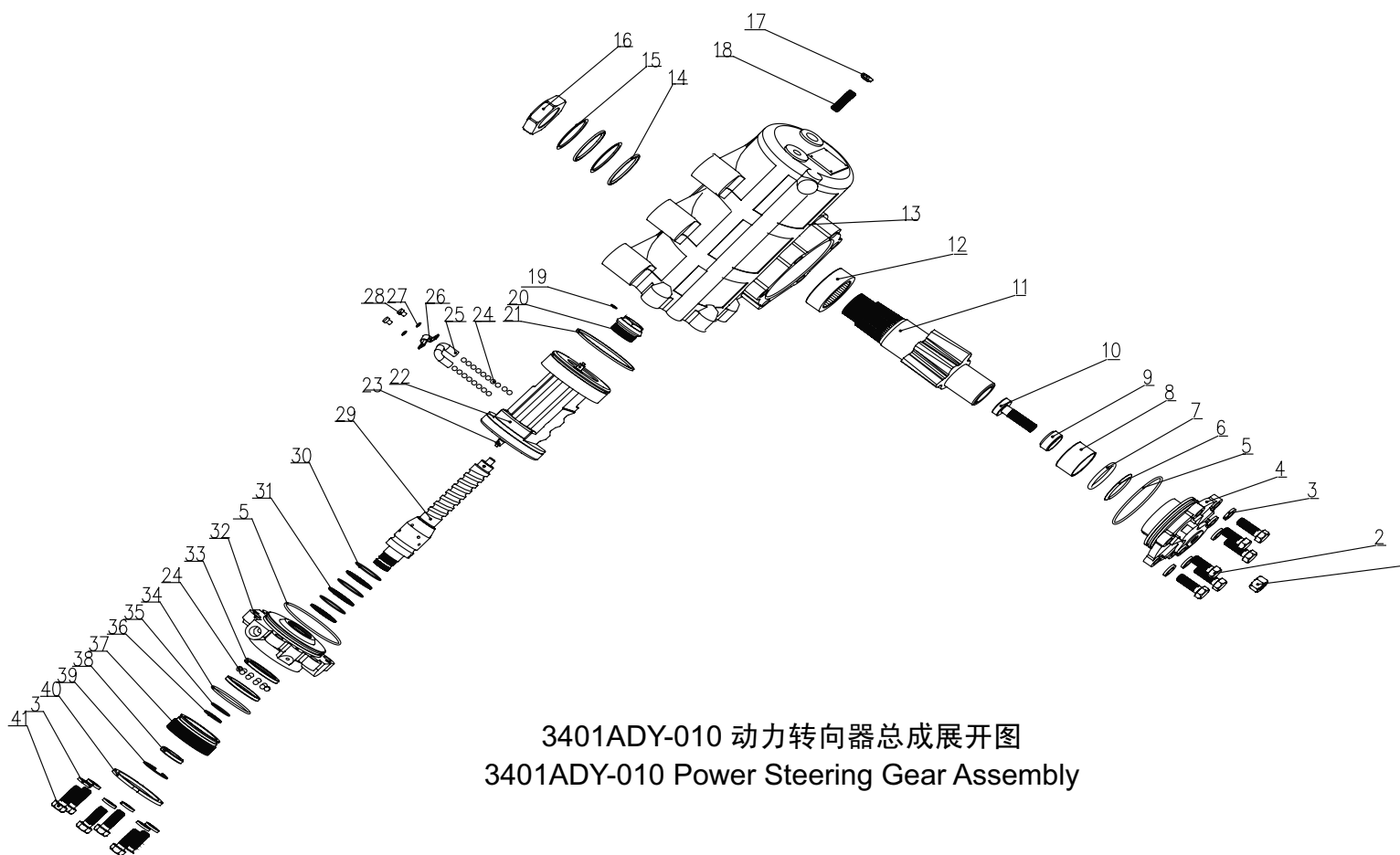


3401ADY-010 动力转向器总成展开图
3401ADY-010 Power Steering Gear Assembly

序号 No.	件号 Part No.	数量 Quantity	名称 Name	规格 Specification	适用产品 Products Applied	备注 Remark
1	Q341B16	1	六角螺母 Hexagon Nut			M16X1.5
2	Q151B1435	6	六角头螺栓 Hexagon Head Bolt			M14X1.5X35
3	Q40314	12	弹簧垫圈 Spring Washer			φ 14
4	GX110C-3411321	1	侧盖 Side Cover			φ 103.8X3.1
5	GX110C-3411112	2	O 形圈 O-Ring			
6	GX110C-3411301	1	挡圈 Retainer			
7	GX110C-3411302	1	O 形圈 O-Ring			φ 48.6X5.7
8	GX110C-3411322	1	复合轴承 Combination Bearing			
9	GX90C-3411313	1	臂轴螺塞 Arm Shaft Plug			
10	GX90C-3411314	1	调整螺钉 Adjusting Screw			
11	ZJ120-3411301	1	摇臂轴 Rocker Arm Shaft			
12	NK 60/28	1	无内圈滚针轴承 Needle Roller Bearing Without Inner Ring			
13	ZJ120C-3411301Y	1	壳体 Casing			
14	ZJ120-3411402	2	摇臂轴输出端密封环 2 Rocker Arm Shaft Output-End Seal Ring 2			

右驾转向器展开图 / STEERING GEAR OF RHD

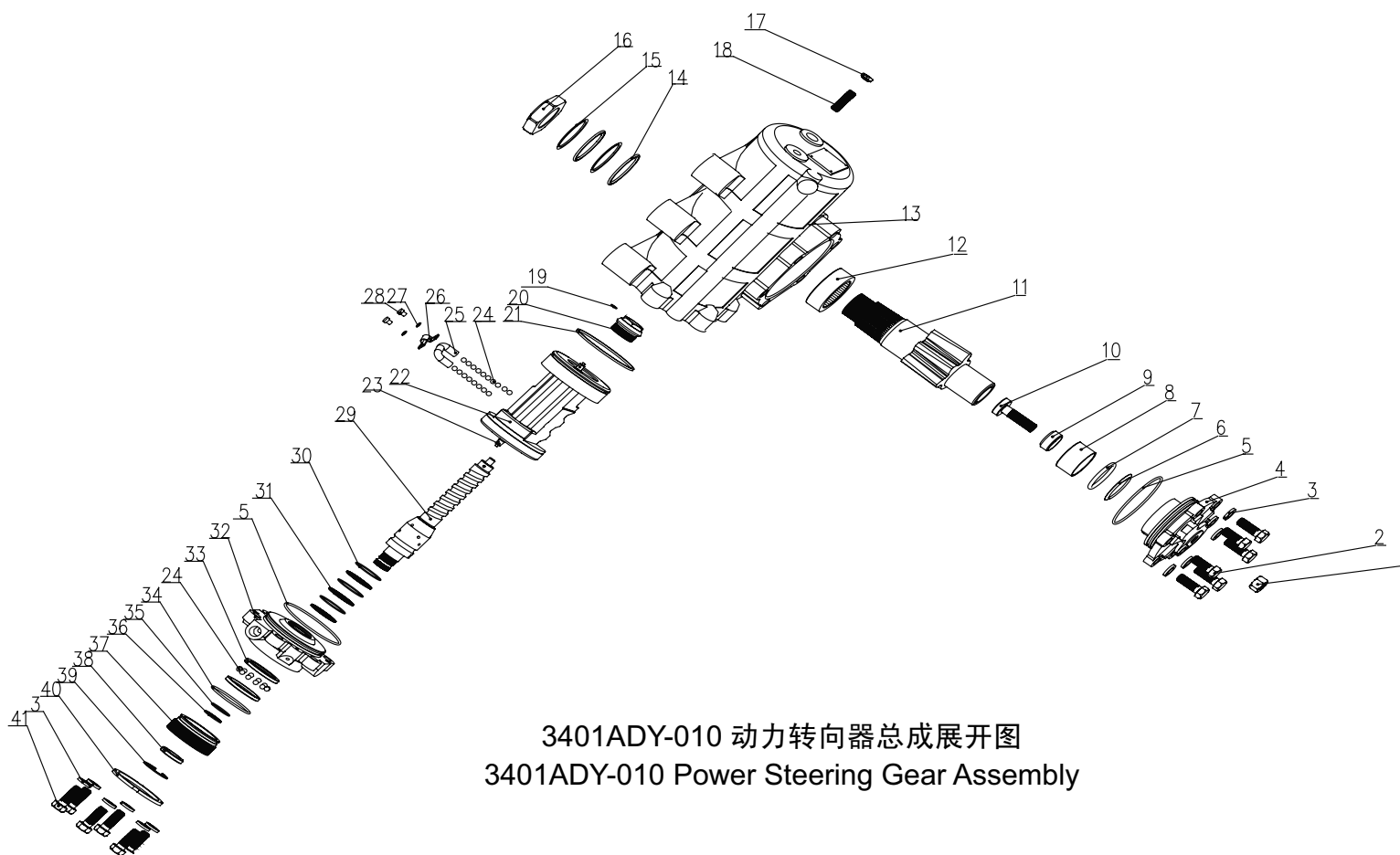
34-K



序号 No.	件号 Part No.	数量 Quantity	名称 Name	规格 Specification	适用产品 Products Applied	备注 Remark
15	ZJ120-3411401	2	摇臂轴输出端密封环 1 Rocker Arm Shaft Output-End Seal Ring 1			
16	ZJ120-3411004	1	六角锁紧螺母 Hexagon Lock Nut			
17	3401F-034	1	密封螺母 Seal Nut			
18	ZJ120C-3411308	1	行程限位螺钉 Stroke Limiting Screw			
19	GB3452.1-92	1	O形圈 O-Ring			φ9.5X1.8
20	GX100D-3411112	1	堵塞 Blockage			
21	GX110C-3411102	1	齿条活塞密封圈 Gear Rack Piston Seal Washer			
22	ZJ20C-3411181Y	1	齿条活塞 Gear Rack Piston			
23	GX100C-3411135JN	1	限位阀 Limiting Valve			
24	GB308-84	44	钢球 Steel Ball			φ8
25	GX100B-3411052-77Y	2	钢球导管 Steel Ball Guide			
26	GX100B-3411053-20	1	导管夹 Guide Clip			
27	Q40306	2	弹簧垫圈 Spring Washer			φ6
28	Q2180608	2	内六角螺栓 Inner Hexagon Bolt			M6X8

右驾转向器展开图 / STEERING GEAR OF RHD

34-K



序号 No.	件号 Part No.	数量 Quantity	名称 Name	规格 Specification	适用产品 Products Applied	备注 Remark
29	ZJ120C-3411120Y	1	阀体总成 Valve Body Assembly			
30	ZJ120C-3411153	3	O 形圈 O-Ring			φ 47.2X1.8
31	ZJ120C-3411152	3	密封环 Seal Ring			
32	ZJ120C-3411151Y	1	前盖 Front Cover			
33	ZJ120C-3411111	2	轴承外圈 Bearing Outer Race			组合件 Components
34	Q7343175C	1	O 形圈 O-Ring			
35	GB3452.1-92	1	O 形圈 O-Ring			φ 30×1.8
36	GX110C-3411115	1	密封环 Seal Ring			
37	ZJ120C-3411171	1	螺塞 Plug			
38	GX90A-3401111	1	双唇口骨架油封 Double Lip Frame Seal			
39	Q43040	1	孔用弹性挡圈 Elastic Retainer Ring For Hole			
40	GX100B-3411166-77	1	防松螺母 - 上盖 Check Nut-Upper Cover			
41	Q151B1440	6	六角头螺栓 Hexagon Head Bolt			M14×1.5×40

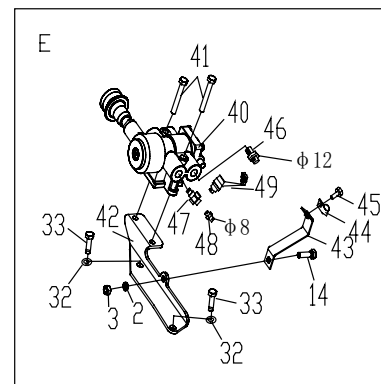
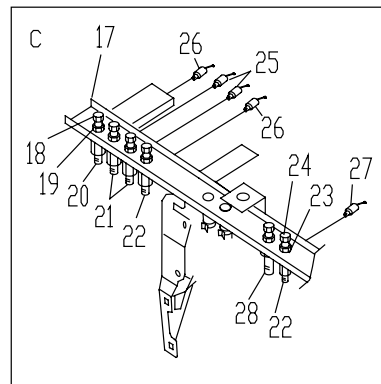
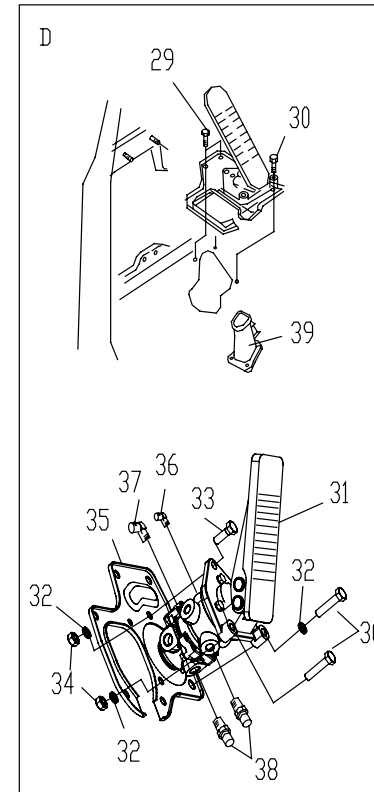
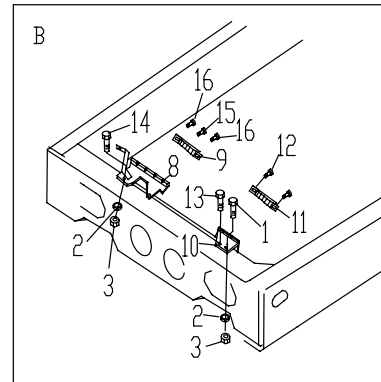
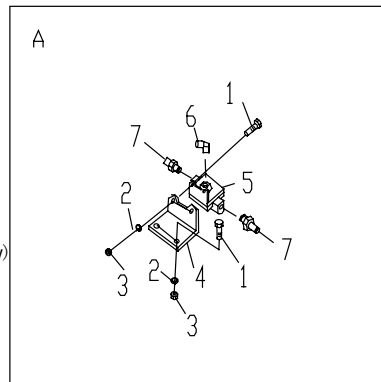
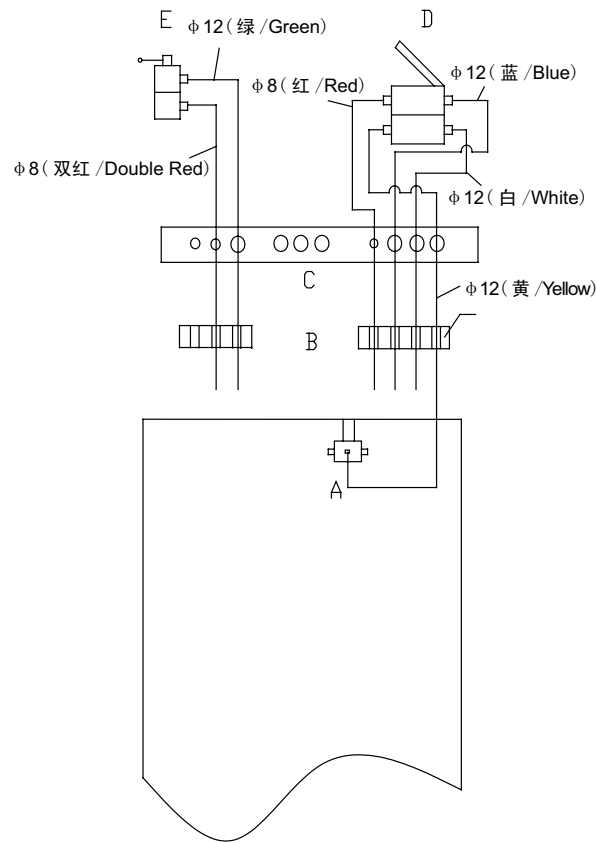
35

制动系统

BRAKE SYSTEM

驾驶室部分制动系统装置图 / BRAKE SYSTEM IN CAB

35-A



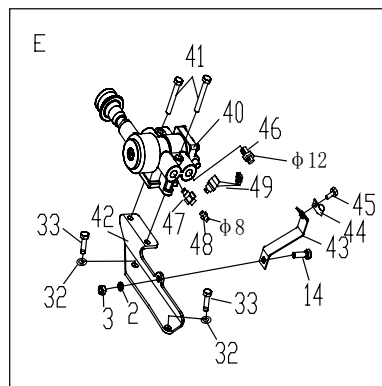
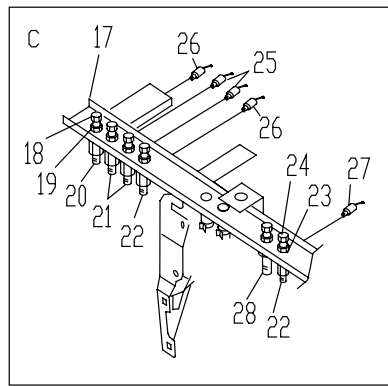
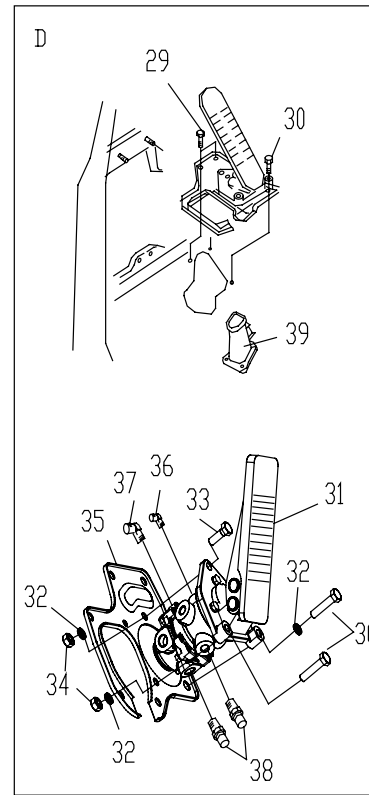
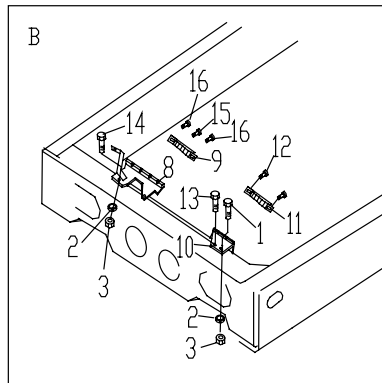
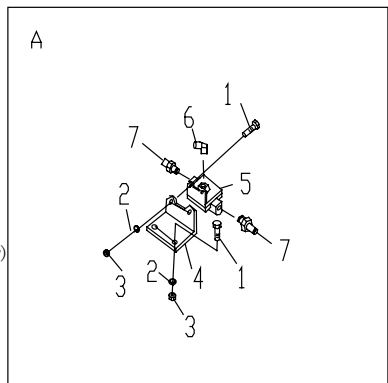
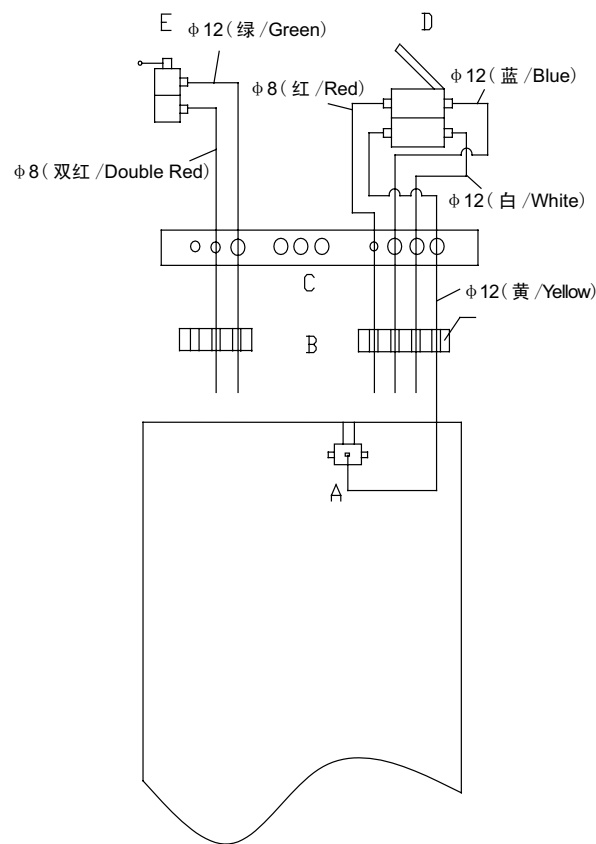
制动系统 / BRAKE SYSTEM

35-2

序号 No.	件号 Part No.	数量 Quantity	名称 Name	规格 Specification	适用产品 Products Applied	备注 Remark
1	Q150B0825	5	六角头螺栓 Hexagon Head Bolt			
2	Q40308	9	弹簧垫圈 Spring Washer			
3	Q340B08	9	I型六角螺母 Hexagon Full Nut			
4	3516AD-010	1	快放阀安装支架 Quick Release Valve Installation Bracket			
5	35AD-16011	1	快放阀总成 Quick Release Valve Assembly			
6	Q80812	1	卡套式锥螺纹直角接头体 Ferrule-Type Taper Thread Right Angle Connector			
7	Q80512	2	卡套式锥螺纹直角接头体 Ferrule-Type Taper Thread Right Angle Connector			
8	35AD-06016	1	固定下支架 Fixed Lower Bracket			
9	35AD-06015	1	固定下支架 Fixed Lower Bracket			
10	35AD-06029	1	固定下支架 Fixed Lower Bracket			
11	35AD-06028	1	固定下支架 Fixed Lower Bracket			
12	Q1840816	2	六角头螺栓 Hexagon Head Bolt			
13	Q150B0820	1	六角头螺栓 Hexagon Head Bolt			

驾驶室部分制动系统装置图 / BRAKE SYSTEM IN CAB

35-A



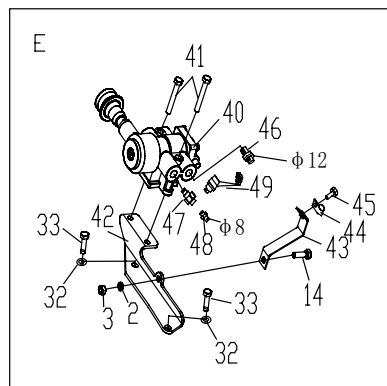
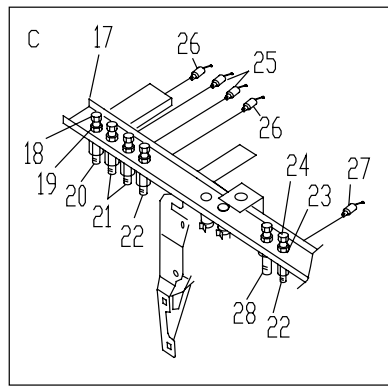
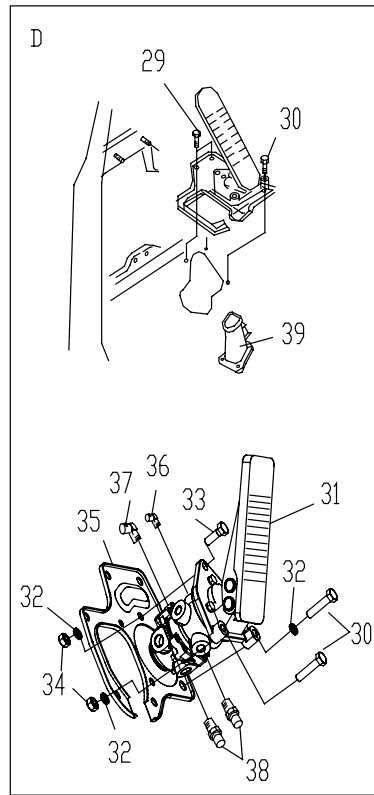
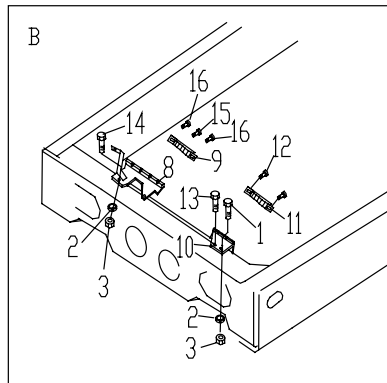
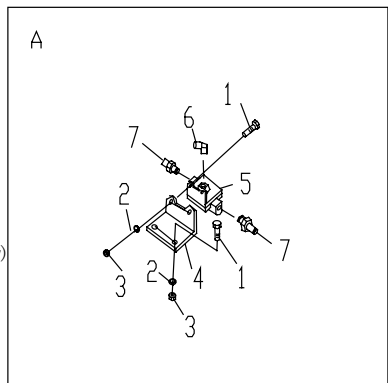
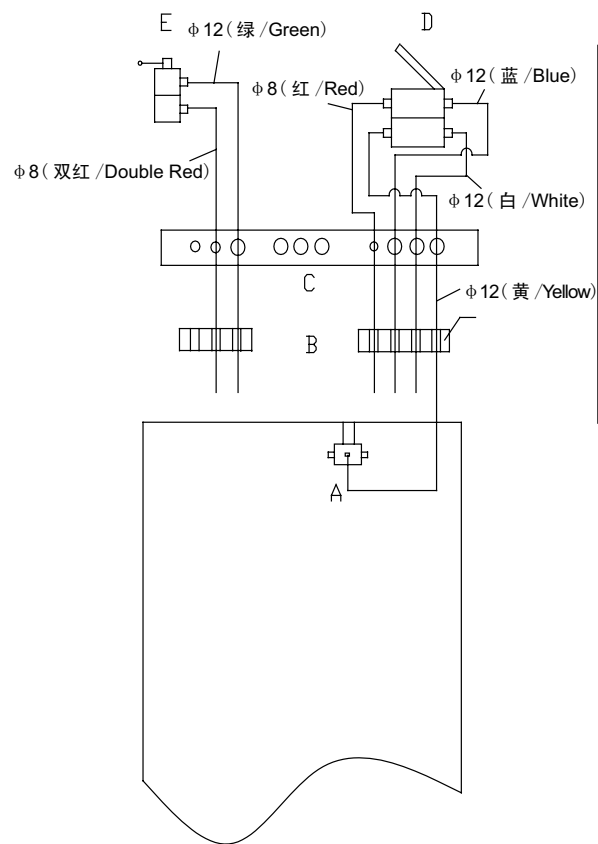
制动系统 / BRAKE SYSTEM

35-4

序号 No.	件号 Part No.	数量 Quantity	名称 Name	规格 Specification	适用产品 Products Applied	备注 Remark
14	Q150B0820	2	六角头螺栓 Hexagon Head Bolt			
15	Q1840830	1	六角头螺栓 Hexagon Head Bolt			
16	Q1840816	2	六角头螺栓 Hexagon Head Bolt			
17	35AD-06020	1	前安装支架总成 Front Installation Bracket Assembly			
18	Q80218	4	卡套式管接头用六角薄螺母 Thin Hexagon Nut For Ferrule-Type Tube Connector			
19	Q41018	4	内锯齿锁紧垫圈 Inner Saw Lock Washer			
20	35AD-06204	1	卡套式三通接头体 Ferrule-Type 3-Way Connector			
21	35AD-06201	2	卡套式三通接头体 Ferrule-Type 3-Way Connector			
22	35AD-06203	2	卡套式三通接头体 Ferrule-Type 3-Way Connector			
23	Q41014	2	内锯齿锁紧垫圈 Inner Saw Lock Washer			
24	Q80214	2	卡套式管接头用六角薄螺母 Thin Hexagon Nut For Ferrule-Type Tube Connector			
25	35AD-060202	2	低气压报警开关 Low Air Pressure Warning Switch			
26	3720AD-010	2	行车制动开关 Running Brake Switch			
27	3720AD-020	1	驻车制动开关 Parking Brake Switch			

驾驶室部分制动系统装置图 / BRAKE SYSTEM IN CAB

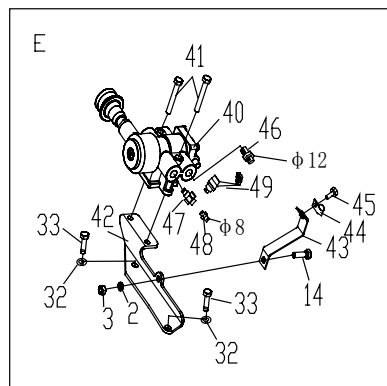
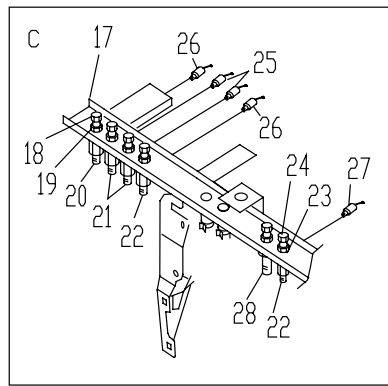
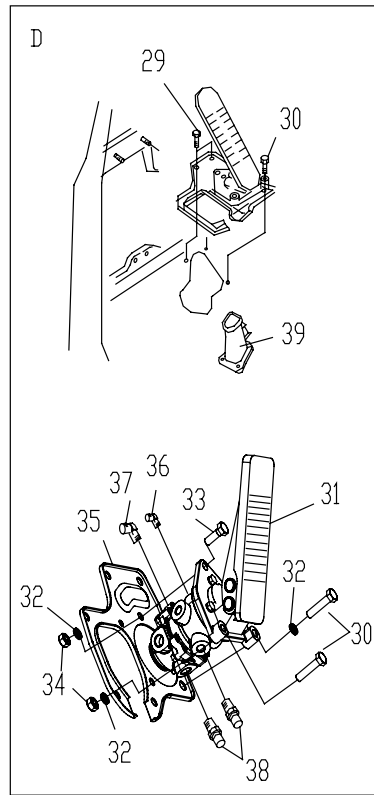
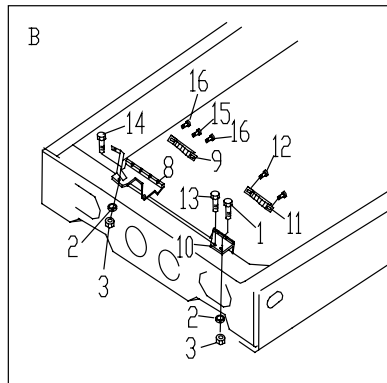
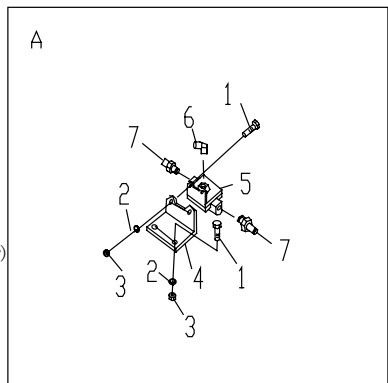
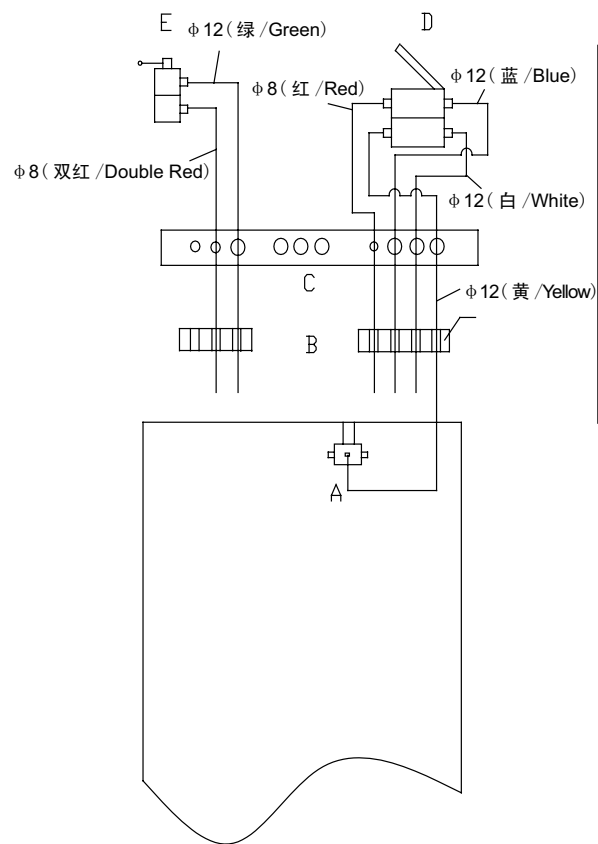
35-A



序号 No.	件号 Part No.	数量 Quantity	名称 Name	规格 Specification	适用产品 Products Applied	备注 Remark
28	Q81312		卡套式直通接头体 Ferrule-Type Straight Connector			
29	Q1460820	2	六角头螺栓、弹簧垫圈、平垫圈组合件 Hexagon Head Bolt, Spring Washer, Plate Washer Set			
30	Q150B1040	2	六角头螺栓 Hexagon Head Bolt			
31	3514AD-010	1	脚制动阀总成 Foot Brake Valve Assembly			
32	Q40310	5	弹簧垫圈 Spring Washer			
33	Q150B1025	3	六角头螺栓 Hexagon Head Bolt			
34	Q340B10	2	I型六角螺母 Hexagon Full Nut			
35	35AD-14015	1	固定支架 Holding Bracket			
36	35AD-13004	1	卡套式锥螺纹直角接头体 Ferrule-Type Taper Thread Right Angle Connector			
37	35AD-14012	1	卡套式锥螺纹直角接头体 Ferrule-Type Taper Thread Right Angle Connector			
38	35AD-13009	2	卡套式锥螺纹直角接头体 Ferrule-Type Taper Thread Right Angle Connector			
39	53A-01357	1	转向柱固定座 - 地板 Steering Column Holder-Floor			
40	3517AD-010	1	手制动阀总成 Hand Brake Valve Assembly			

驾驶室部分制动系统装置图 / BRAKE SYSTEM IN CAB

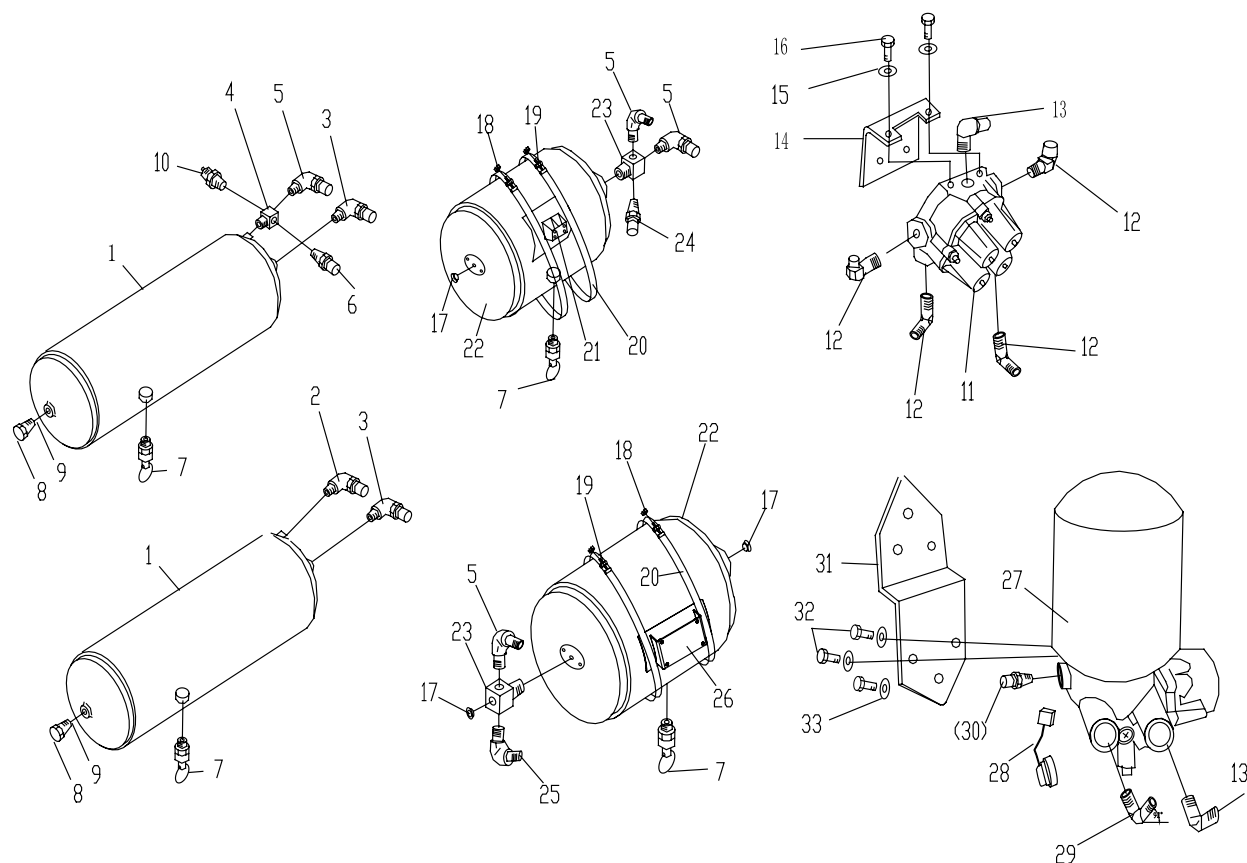
35-A



序号 No.	件号 Part No.	数量 Quantity	名称 Name	规格 Specification	适用产品 Products Applied	备注 Remark
41	Q150B0880	2	六角头螺栓 Hexagon Head Bolt			
42	35AD-17012	1	手阀安装支架 Hand Valve Installation Bracket			
43	35AD-17013	1	固定支架 Holding Bracket			
44	37AD-33222	1	固定管夹 Holding Tube Clamp			
45	Q150B0616	1	六角头螺栓 Hexagon Head Bolt			
46	35AD-17014	1	卡套式锥螺纹直通接头体 Ferrule-Type Taper Thread Straight Connector			
47	35AD-17013	1	卡套式锥螺纹三通接头体 Ferrule-Type Taper Thread 3-Way Connector			
48	35AD-17016	1	卡套式锥螺纹直通接头体 Ferrule-Type Taper Thread Straight Connector			
49	3720AD-050	1	驻车制动检测开关 Parking Brake Check Switch			

储气筒预装图 / AIR RESERVOIR

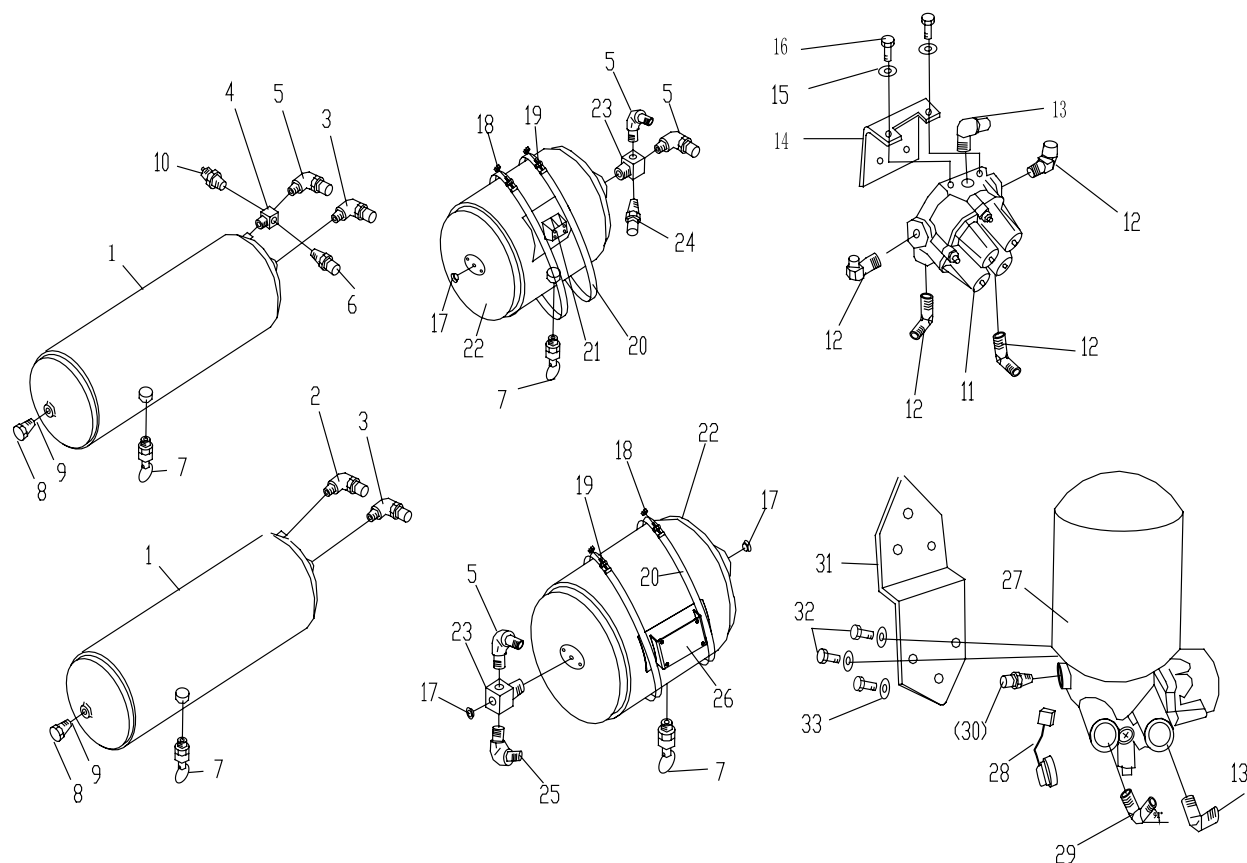
35-B



序号 No.	件号 Part No.	数量 Quantity	名称 Name	规格 Specification	适用产品 Products Applied	备注 Remark
1	3513AHD-010	2	储气筒总成 Air Reservoir Assembly			
2	35ADQ-27108	1	卡套式直角接头体 Ferrule-Type Right Angle Connector			
3	35AD-11002	3	卡套式直角接头体 Ferrule-Type Right Angle Connector			
4	35AD-27107	1	四通接头 4-Way Connector			
5	35AD-13004	4	卡套式锥螺纹直角接头体 Ferrule-Type Taper Thread Right Angle Connector			
6	35AD-13009	1	卡套式锥螺纹直角接头体 Ferrule-Type Taper Thread Right Angle Connector			
7	3513AD-040	4	放水阀 Water Drain Valve			
8	Q617B2	2	螺塞 Plug			
9	Q72322	2	密封垫圈 Seal Washer			
10	35AD-06510	1	取气阀 Air Suction Valve			
11	3515A6DP5-010	1	四回路保护阀总成 4-Circuit Protection Valve Assembly			
12	35AD-15001	4	卡套式直角接头体 Ferrule-Type Right Angle Connector			
13	35AD-11002	2	卡套式直角接头体 Ferrule-Type Right Angle Connector			
14	35AHD-15101	1	四回路固定支架 4-Circuit Holding Bracket			

储气筒预装图 / AIR RESERVOIR

35-B



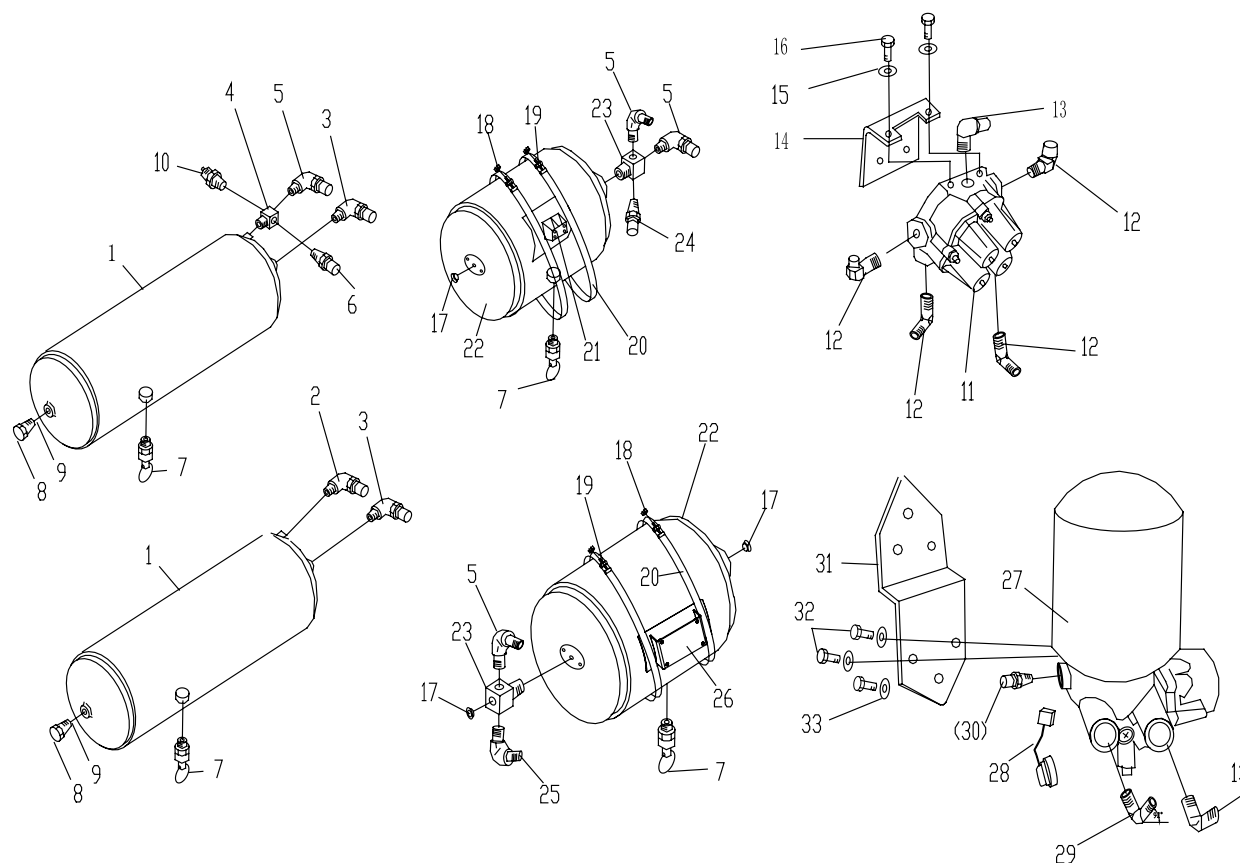
制动系统 / BRAKE SYSTEM

35-12

序号 No.	件号 Part No.	数量 Quantity	名称 Name	规格 Specification	适用产品 Products Applied	备注 Remark
15	Q40308	2	弹簧垫圈 Spring Washer			
16	Q150B830	2	六角头螺栓 Hexagon Head Bolt			
17	35AD-13005	3	内六角形螺塞 Inner Hexagon Plug			
18	Q340B10	4	I 型六角螺母 Hexagon Full Nut			
19	35A6DP5-13036	4	衬套 Bushing			
20	35A6DP5-13035	4	辅储箍带 Assist Air Reservoir Retaining Band			
21	35A6DP5-13020	1	储气筒固定支架总成 Air Reservoir Holding Bracket Assembly		三菱、五十铃、康明斯、日野底盘 MITSUBISHI, ISUZU, CUMMINS, HINO Chassis	
22	3513ADQ-050	2	手储气筒总成 Hand Air Reservoir Assembly			
23	35AD-13002	2	四通接头体 4-Way Connector			
24	35AD-13001	1	卡套式锥螺纹直通接头体 Ferrule-Type Taper Thread Straight Connector			
25	35AD-13008	1	卡套式锥螺纹直角接头体 Ferrule-Type Taper Thread Right Angle Connector			
26	35A16D-13020	1	储气筒固定支架总成 Air Reservoir Holding Bracket Assembly		斯太尔系列底盘 STEYR Series Chassis	
27	3511A6DP5-010	1	空气干燥器 Air Drier			

储气筒预装图 / AIR RESERVOIR

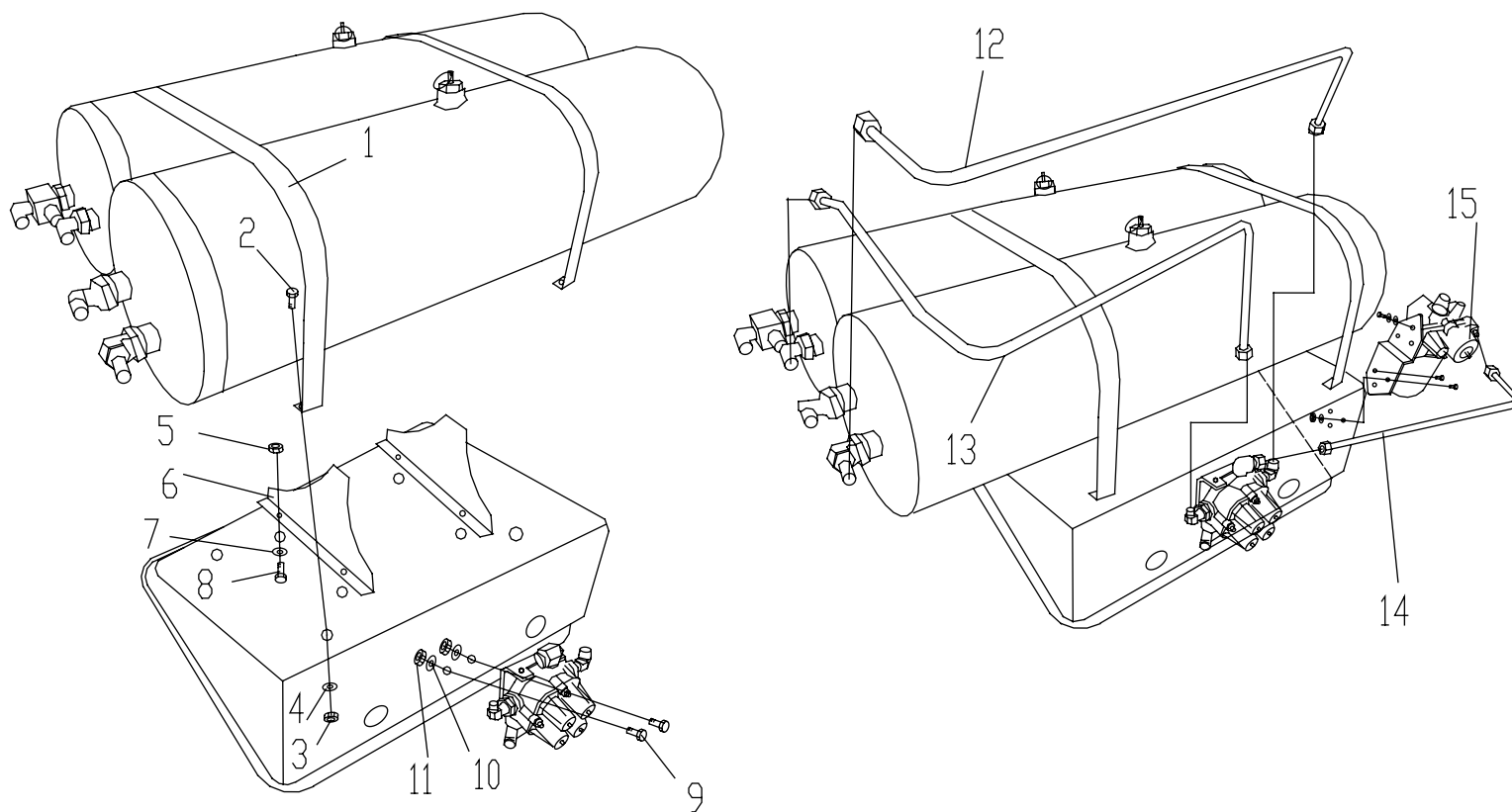
35-B



序号 No.	件号 Part No.	数量 Quantity	名称 Name	规格 Specification	适用产品 Products Applied	备注 Remark
28	37A4D-24202	1	开关护帽 Switch Cover			
29	35AD-11001	1	卡套式直角接头体 Ferrule-Type Right Angle Connector			
30	35AD-11003	1	卡套式直通接头体 Ferrule-Type Straight Connector		进口发动机和重庆康明斯系列 Import Engine And CHONGQING CUMMINS Engine Series	

储气筒安装总成图 / AIR RESERVOIR INSTALLATION

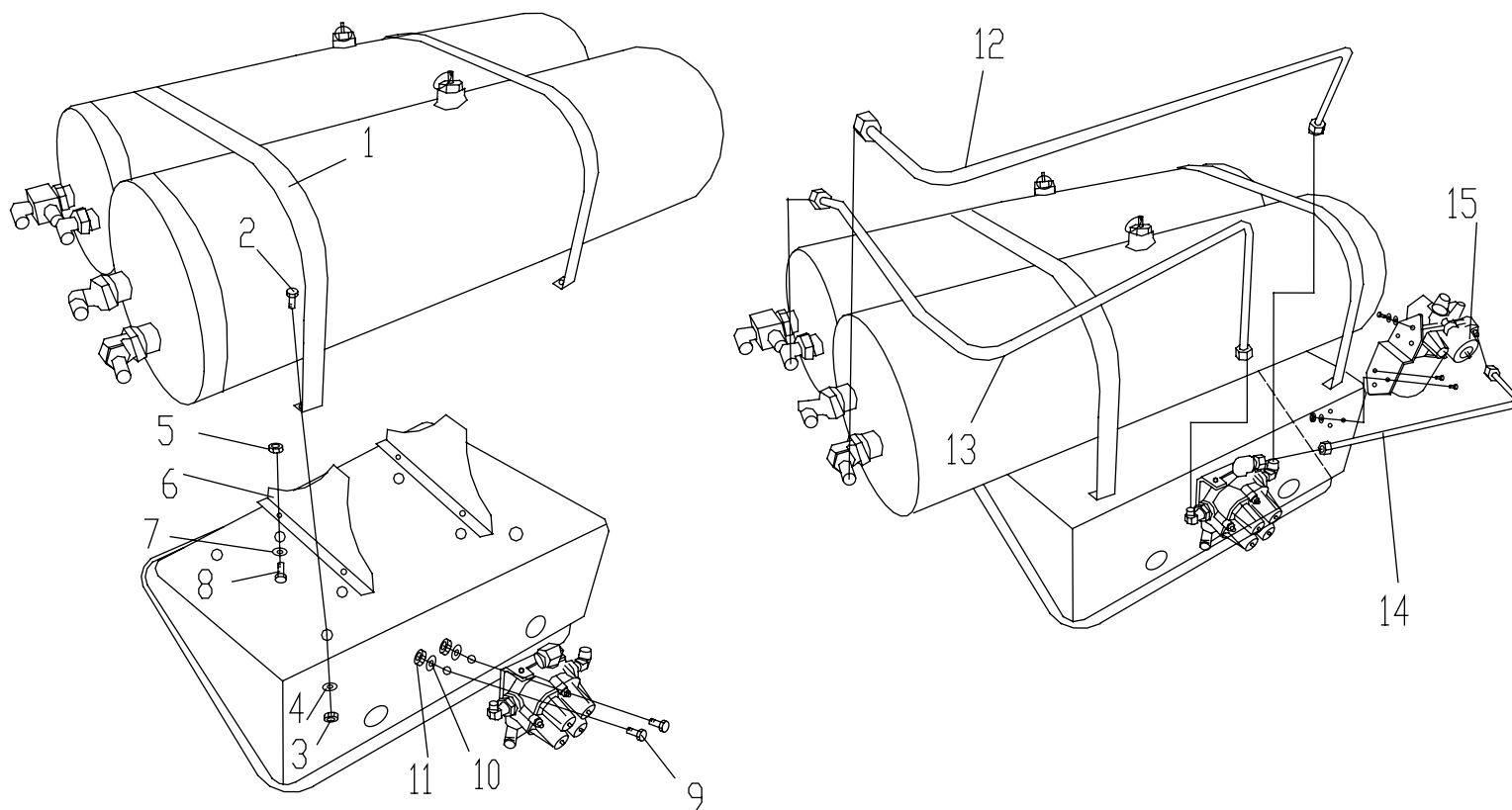
35-C



序号 No.	件号 Part No.	数量 Quantity	名称 Name	规格 Specification	适用产品 Products Applied	备注 Remark
1	35AHD-13031	2	储气筒箍带 Air Reservoir Retaining Band			
2	Q150B1230	2	六角头螺栓 Hexagon Head Bolt			
3	Q340B12	2	I 型六角螺母 Hexagon Full Nut			
4	Q40312	2	弹簧垫圈 Spring Washer			
5	Q150B0630	4	六角头螺栓 Hexagon Head Bolt			
6	35AHD-13052	2	储气筒隔板 Air Reservoir Liner Plate			
7	Q40306	4	弹簧垫圈 Spring Washer			
8	Q340B06	4	I 型六角螺母 Hexagon Full Nut			
9	Q150B1230	2	六角头螺栓 Hexagon Head Bolt			
10	Q40312	2	弹簧垫圈 Spring Washer			
11	Q340B12	2	I 型六角螺母 Hexagon Full Nut			
12	35AHD-06013	1	钢管 - 四回路接前储 Steel Tube--4-Loop To Front Air Reservoir		三菱、五十铃、康明斯底盘 MITSUBISHI, ISUZU, CUMMINS Chassis	
	35AH2DZ-06013	1	钢管 - 四回路接前储 Steel Tube--4-Loop To Front Air Reservoir		斯太尔底盘 STEYR Chassis	
13	35AHD-06015	1	钢管 - 四回路接后储 Steel Tube--4-Loop To Rear Air Reservoir		三菱、五十铃、康明斯底盘 MITSUBISHI, ISUZU, CUMMINS Chassis	

储气筒安装总成图 / AIR RESERVOIR INSTALLATION

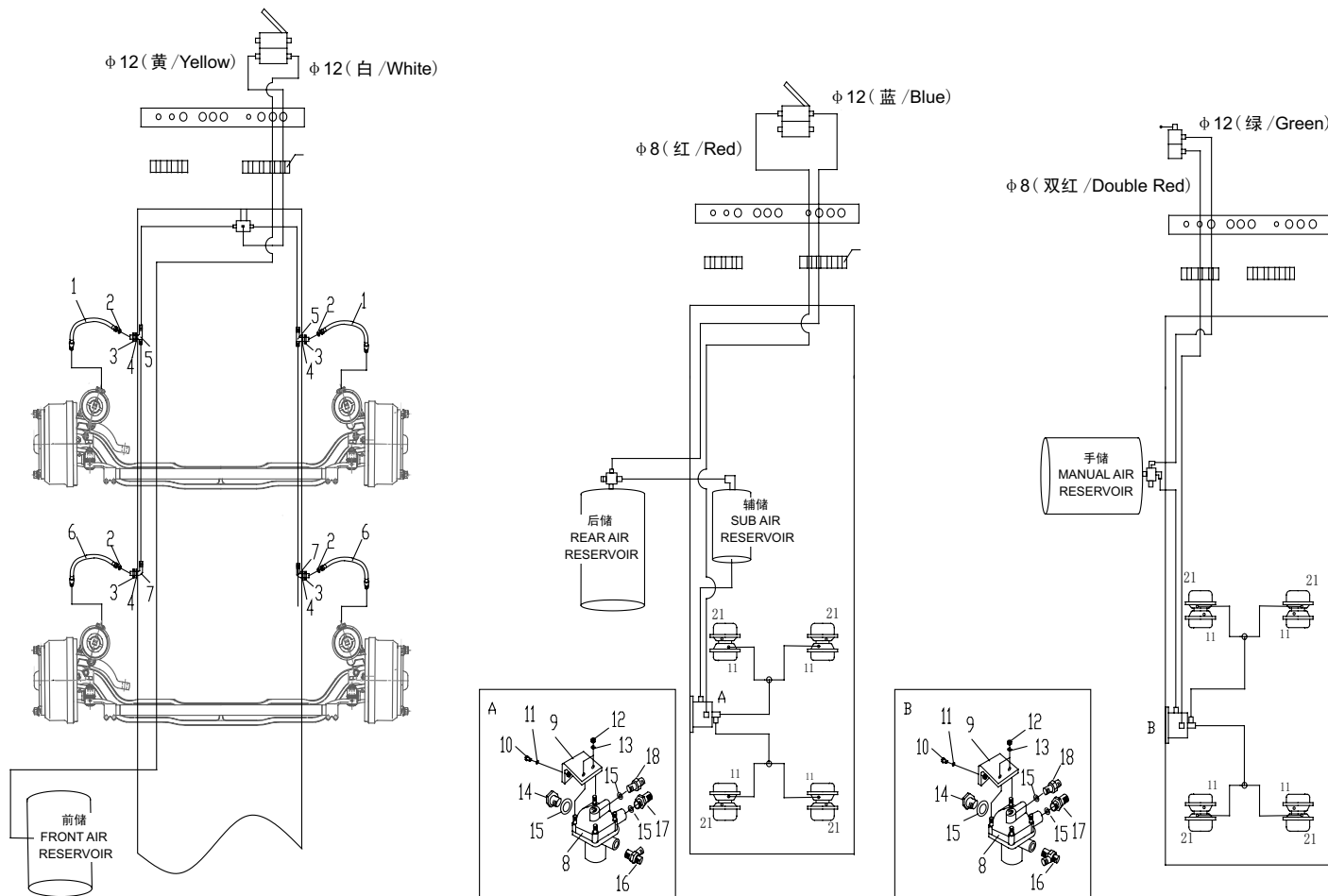
35-C



序号 No.	件号 Part No.	数量 Quantity	名称 Name	规格 Specification	适用产品 Products Applied	备注 Remark
13	35AH2DZ-06015	1	钢管 - 四回路接后储 Steel Tube--4-Loop To Rear Air Reservoir		斯太尔底盘 STEYR Chassis	
14	35AHD-06010	1	钢管 - 干燥器接四回路 Steel Tube--Dryer To 4-Loop		三菱、五十铃、康明斯底盘 MITSUBISHI,ISUZU, CUMMINS Chassis	
	35AH2DZ-06010	1	钢管 - 干燥器接四回路 Steel Tube--Dryer To 4-Loop		斯太尔底盘 STEYR Chassis	
	35AH23DQ-06010	1	钢管 - 干燥器接四回路 Steel Tube--Dryer To 4-Loop		三菱、五十铃、康明斯底盘 MITSUBISHI,ISUZU, CUMMINS Chassis	
	35AHDQ-06010	1	钢管 - 干燥器接四回路 Steel Tube--Dryer To 4-Loop		斯太尔牵引车 STEYR Tractor	
15	3511A6DP5-010		空气干燥器 Air Dryer			

四桥车制动原理图 / 4-AXLE VEHICLE BRAKE

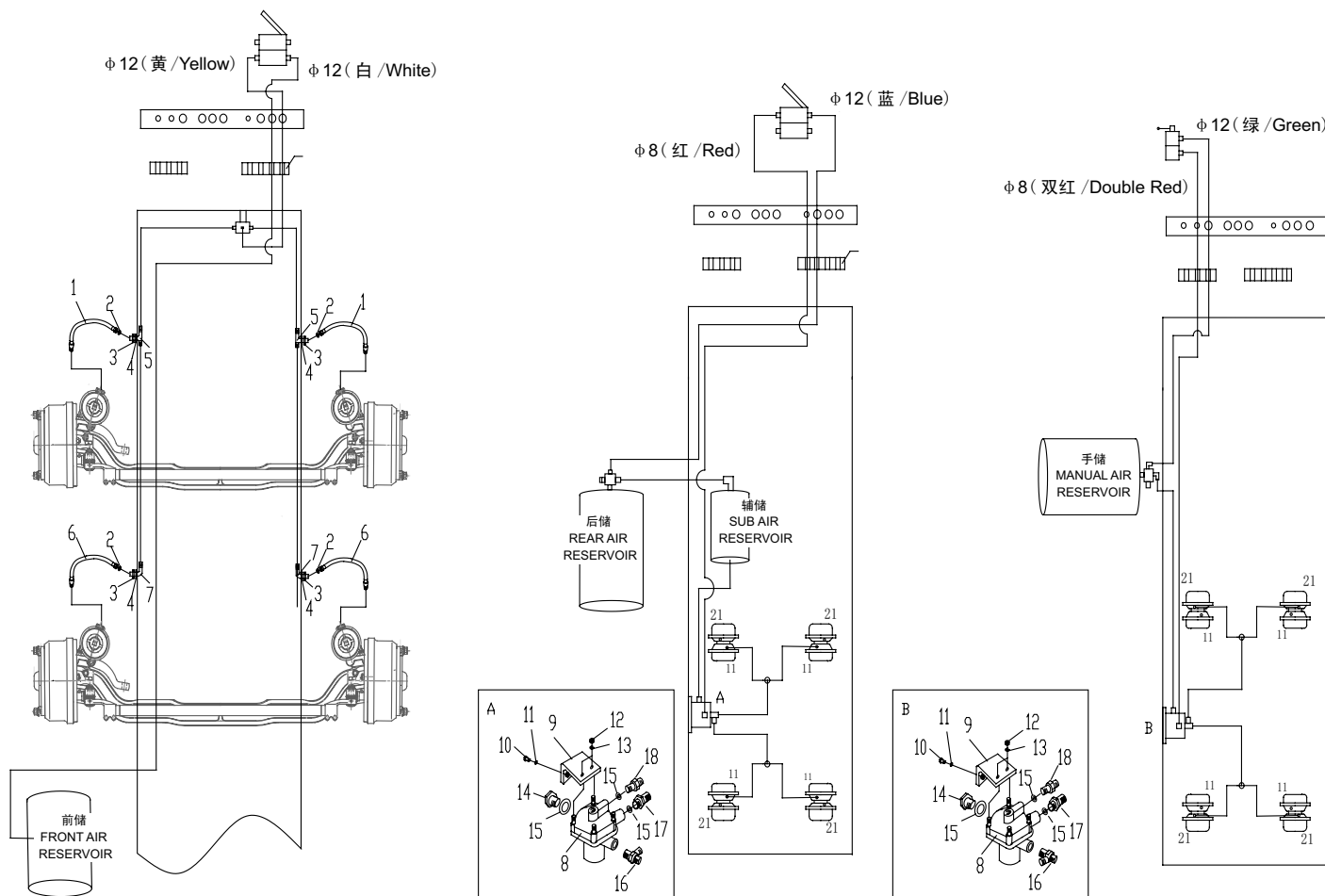
35-D



序号 No.	件号 Part No.	数量 Quantity	名称 Name	规格 Specification	适用产品 Products Applied	备注 Remark
1	35AD-06035	2	橡胶管总成 Rubber Tube Assembly		一汽前桥 FAW Front Axle	
2	Q72314	4	密封圈 Seal Ring			
3	Q80220	4	卡套式管接头用薄螺母 Thin Nut For Ferrule-Type Tube Connector			
4	Q41020	4	内锯齿锁紧垫圈 Inner Saw Lock Washer			
5	35A6DP5-16105	4	卡套式隔壁式三通接头体 Ferrule-Type Bypass Type 3-Way Connector			
6	35A6DP5-06031	2	橡胶管总成 Rubber Tube Assembly			
7	35AD-16105	2	卡套式隔壁式弯管接头体 Ferrule-Type Bypass Type Elbow Connector			
8	3527AD-010	2	继动阀总成 Relay Valve Assembly			
9	35AD-27105	2	继动阀支架 Relay Valve Bracket			
10	Q150B1035	4	六角头螺栓 Hexagon Head Bolt			
11	Q40310	4	弹簧垫圈 Spring Washer			
12	Q340B08	4	I型六角螺母 Hexagon Full Nut			
13	Q40308	4	弹簧垫圈 Spring Washer			
14	Q617B22	2	螺塞 Plug			

四桥车制动原理图 / 4-AXLE VEHICLE BRAKE

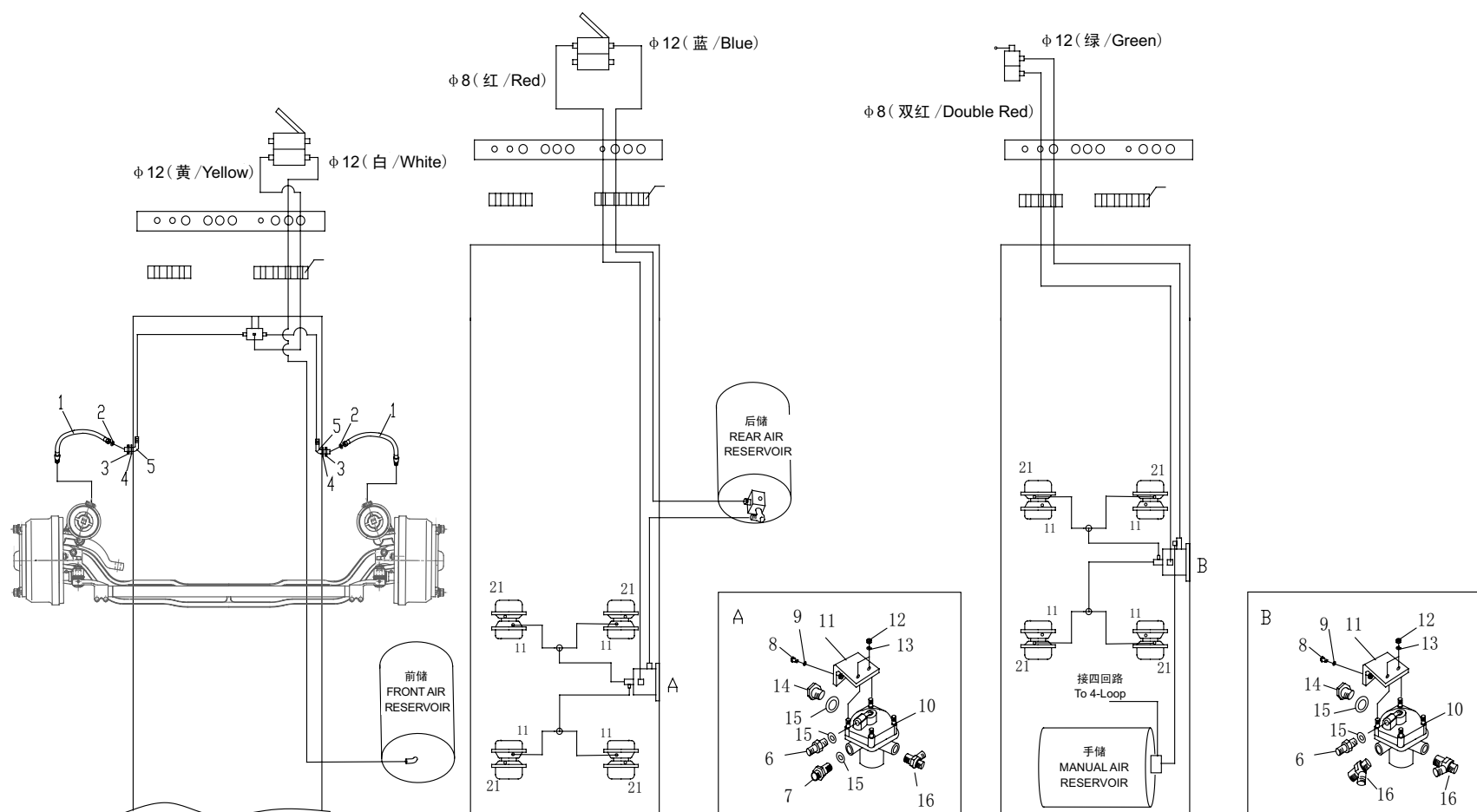
35-D



序号 No.	件号 Part No.	数量 Quantity	名称 Name	规格 Specification	适用产品 Products Applied	备注 Remark
15	Q72322	6	密封垫圈 Seal Washer			
16	35AD-27102	2	卡套式三接头体 Ferrule-Type 3-Way Connector			
17	35AD-27104	2	卡套式三接头体 Ferrule-Type 3-Way Connector			
18	35AD-27101	2	卡套式三接头体 Ferrule-Type 3-Way Connector			

6×4 系列底盘制动原理图 (A 型) / 6×4 SERIES CHASSIS BRAKE(A TYPE)

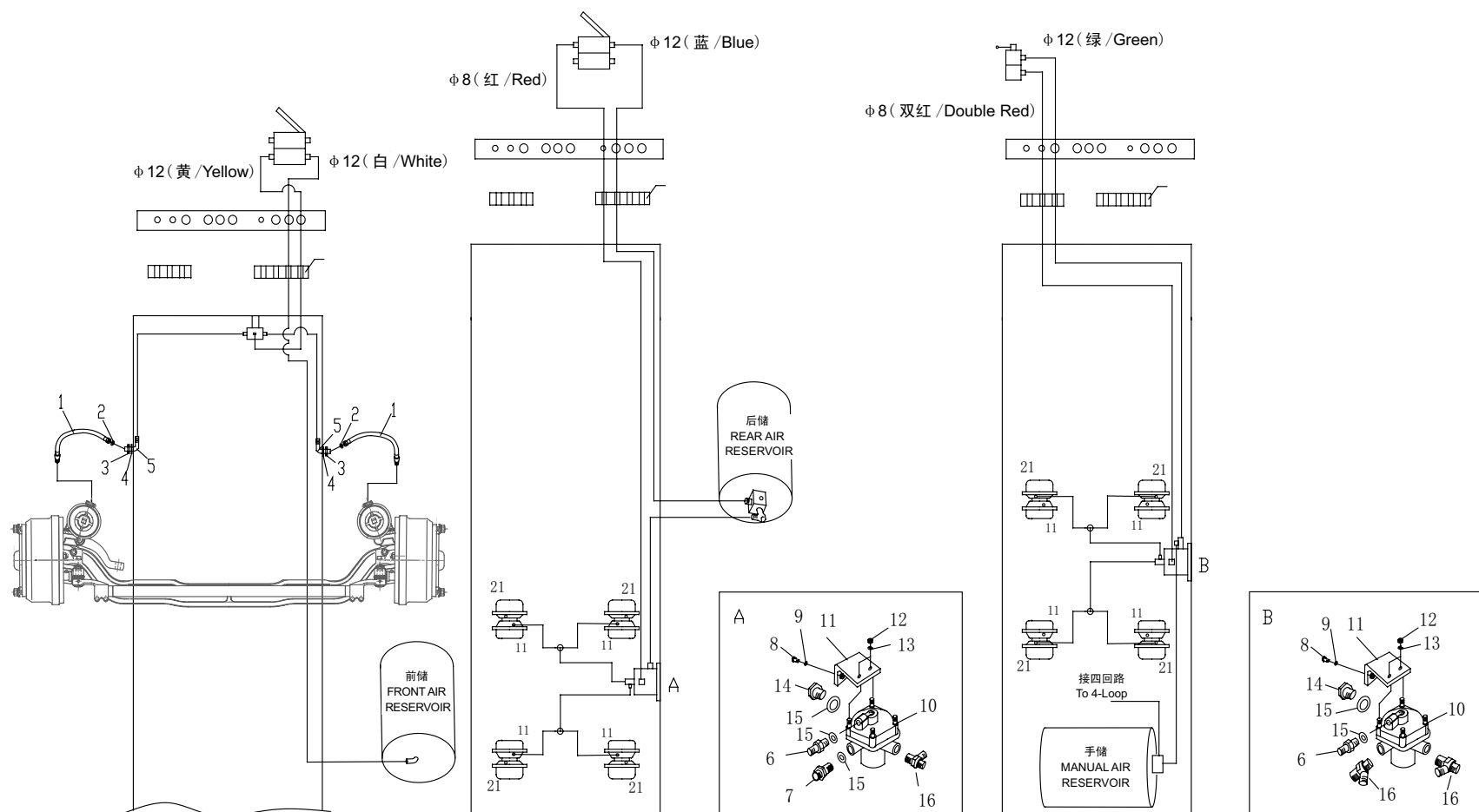
35-E



序号 No.	件号 Part No.	数量 Quantity	名称 Name	规格 Specification	适用产品 Products Applied	备注 Remark
1	35AD-06035	2	橡胶管总成 Rubber Tube Assembly		一汽前桥 FAW Front Axle	
	35AD-06030	2	橡胶管总成 Rubber Tube Assembly		泰州前桥 TAIZHOU Front Axle	
2	Q72314	2	密封圈 Seal Ring			
3	Q80220	2	卡套式管接头用薄螺母 Thin Nut For Ferrule-Type Tube Connector			
4	Q41020	2	内锯齿锁紧垫圈 Inner Saw Lock Washer			
5	35AD-16105	2	卡套式隔壁式弯管接头体 Ferrule-Type Bypass Type Elbow Connector			
6	35AD-27101	2	卡套式直通接头体 Ferrule-Type Straight Connector			
7	35AD-27104	1	卡套式直通接头体 Ferrule-Type Straight Connector			
8	Q150B1035	4	六角头螺栓 Hexagon Head Bolt			
9	Q40310	4	弹簧垫圈 Spring Washer			
10	3527AD-010	2	继动阀总成 Relay Valve Assembly			
11	35AD-27105	2	继动阀支架 Relay Valve Bracket			
12	Q340B08	4	I型六角螺母 Hexagon Full Nut			
13	Q40308	4	弹簧垫圈 Spring Washer			

6×4 系列底盘制动原理图 (A 型) / 6×4 SERIES CHASSIS BRAKE (A TYPE)

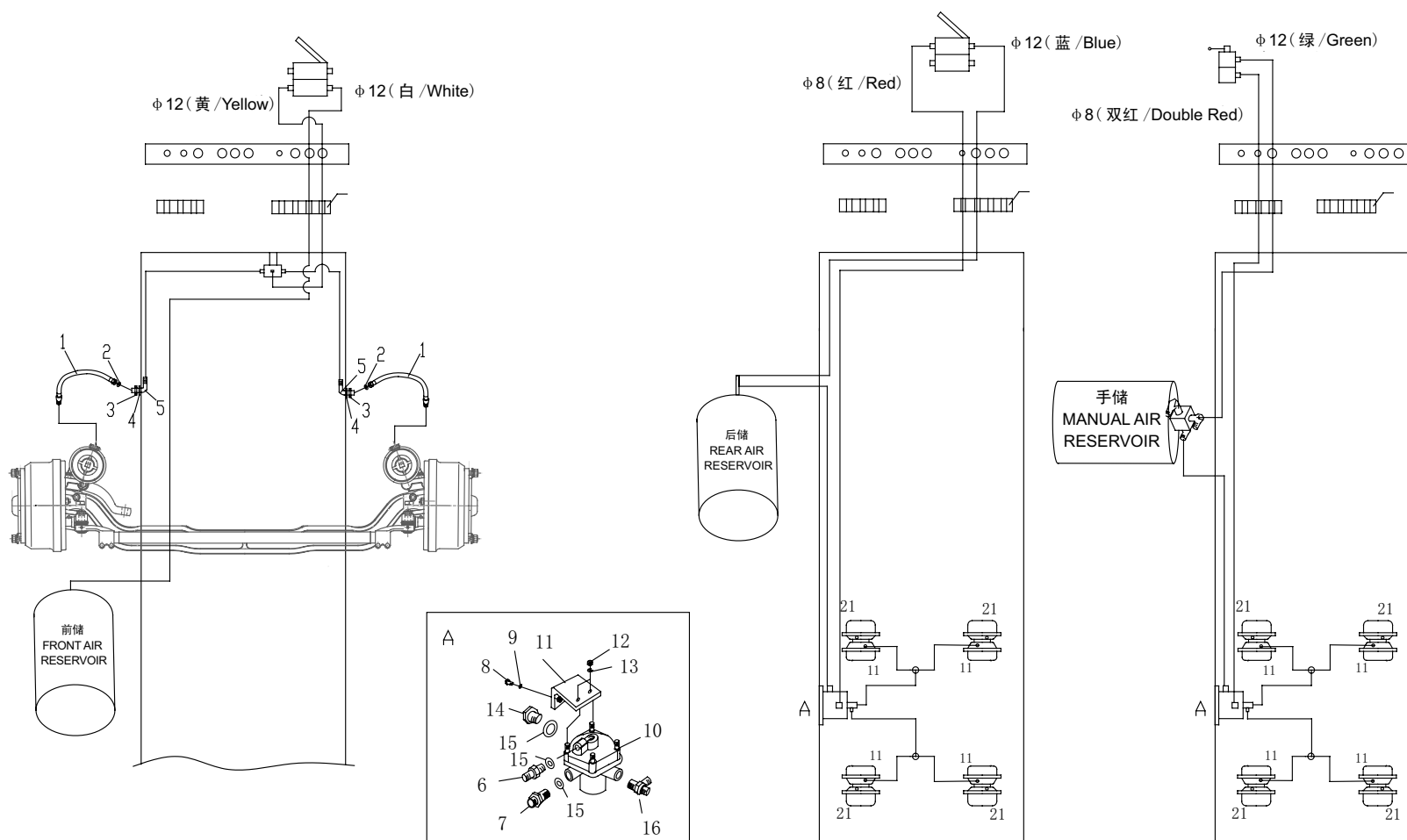
35-E



序号 No.	件号 Part No.	数量 Quantity	名称 Name	规格 Specification	适用产品 Products Applied	备注 Remark
14	Q617B22	2	螺塞 Plug			
15	Q72322	1	密封垫圈 Seal Washer			
16	35AD-27102	3	卡套式三接头体 Ferrule-Type 3-Way Connector			

6×4 系列底盘制动原理图 (B 型) / 6×4 SERIES CHASSIS BRAKE (B TYPE)

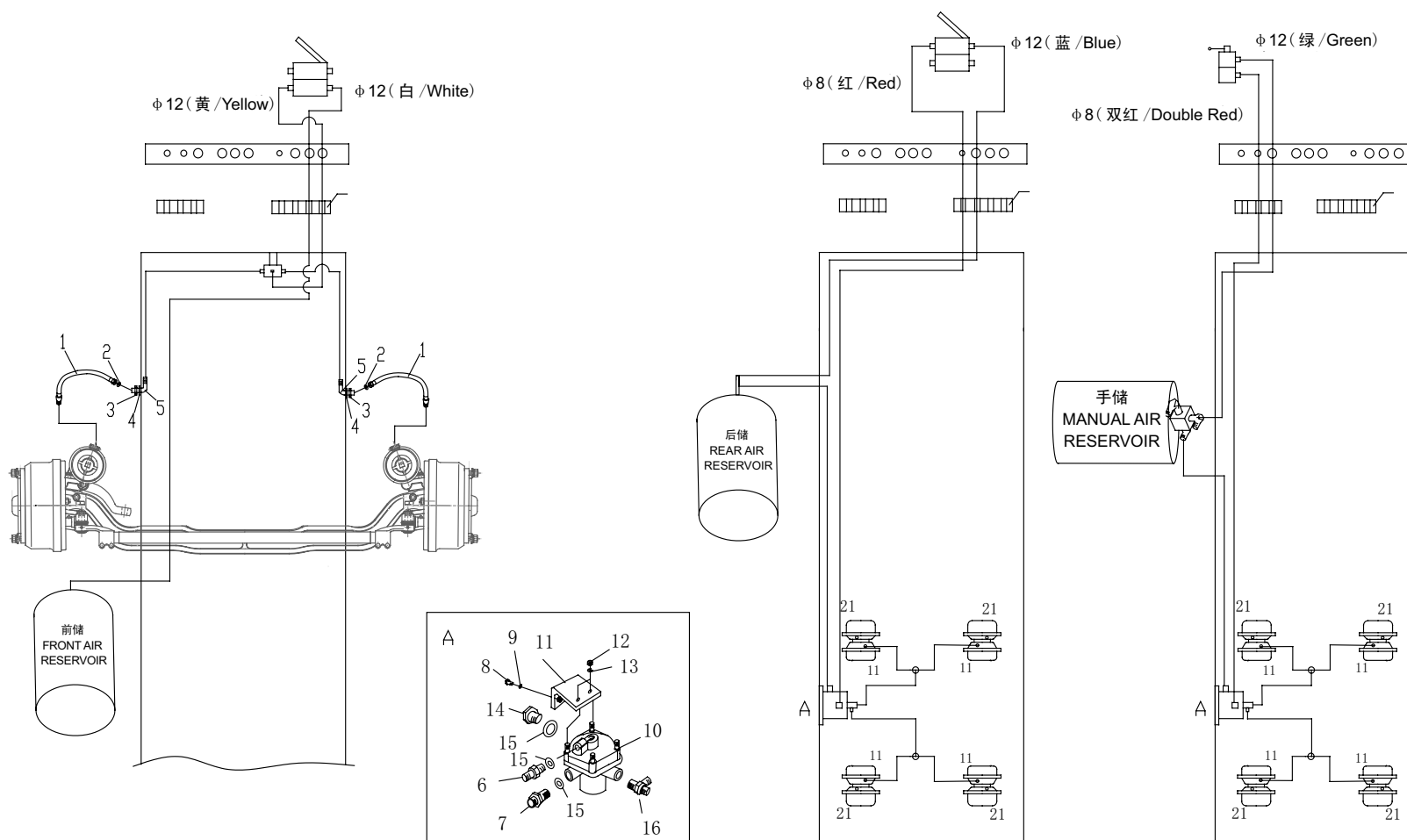
35-F



序号 No.	件号 Part No.	数量 Quantity	名称 Name	规格 Specification	适用产品 Products Applied	备注 Remark
1	35AD-06035	2	橡胶管总成 Rubber Tube Assembly			
2	Q72314	2	密封圈 Seal Ring			
3	Q80220	2	卡套式管接头用薄螺母 Thin Nut For Ferrule-Type Tube Connector			
4	Q41020	2	内锯齿锁紧垫圈 Inner Saw Lock Washer			
5	35AD-16105	2	卡套式隔壁式弯管接头体 Ferrule-Type Bypass Type Elbow Connector			
6	35AD-27101	1	卡套式直通接头体 Ferrule-Type Straight Connector			
7	35AD-27104	1	卡套式直通接头体 Ferrule-Type Straight Connector			
8	Q150B1035	2	六角头螺栓 Hexagon Head Bolt			
9	Q40310	2	弹簧垫圈 Spring Washer			
10	3527AD-010	1	继动阀总成 Relay Valve Assembly			
11	35AD-27105	1	继动阀支架 Relay Valve Bracket			
12	Q340B08	2	I型六角螺母 Hexagon Full Nut			
13	Q40308	2	弹簧垫圈 Spring Washer			
14	Q617B22	1	螺塞 Plug			

6×4 系列底盘制动原理图 (B 型) / 6×4 SERIES CHASSIS BRAKE (B TYPE)

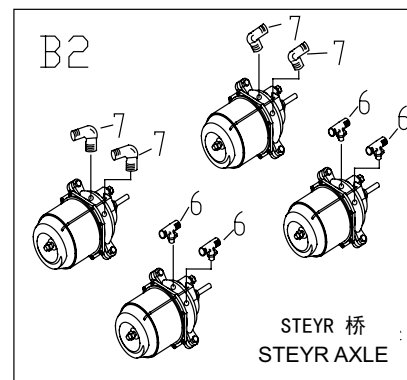
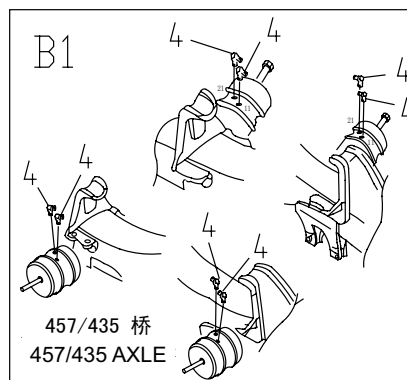
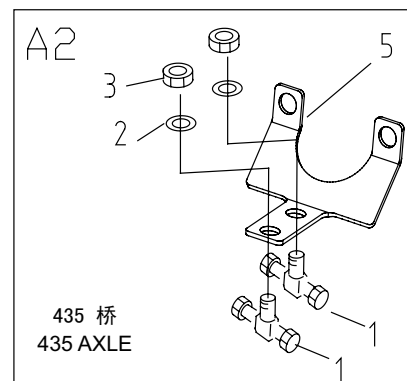
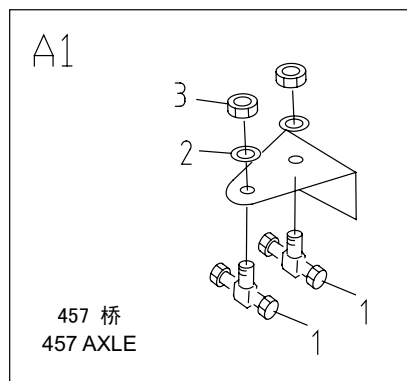
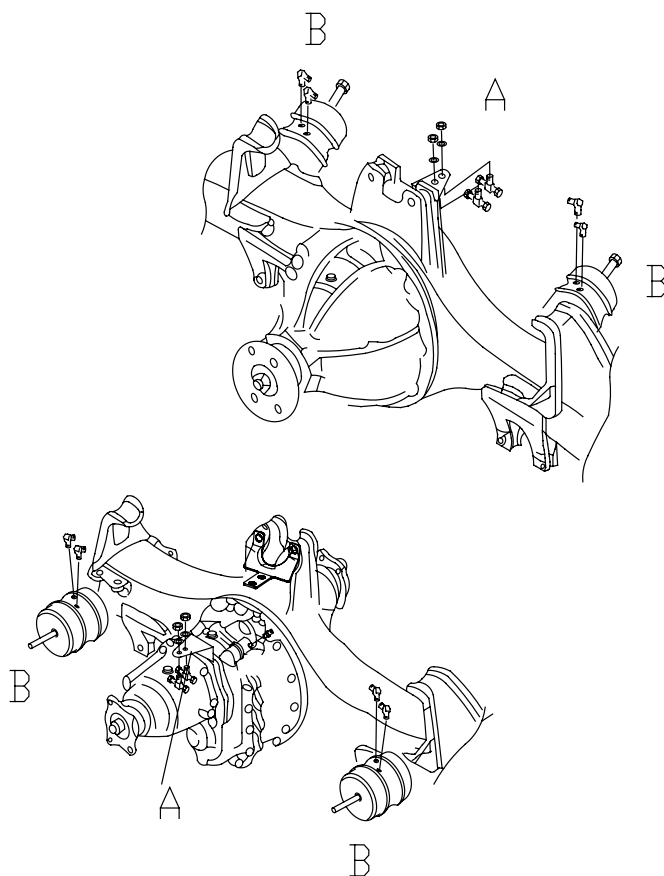
35-F



序号 No.	件号 Part No.	数量 Quantity	名称 Name	规格 Specification	适用产品 Products Applied	备注 Remark
15	Q72322	3	密封垫圈 Seal Washer			
16	35AD-27102	1	卡套式三通接头体 Ferrule-Type 3-Way Connector			

双后桥装配图 (NO ABS) / DUAL REAR AXLE(W/O ABS)

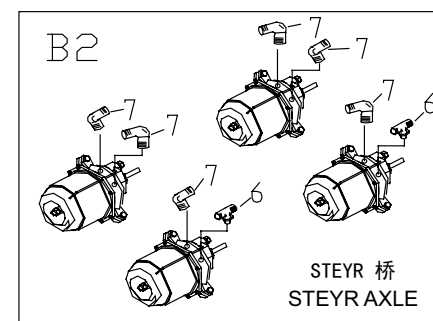
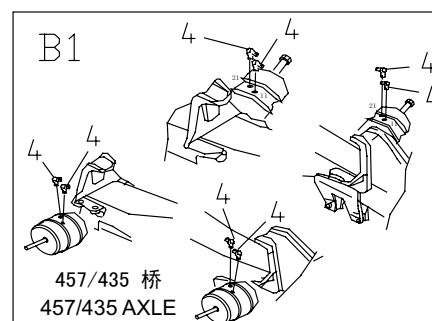
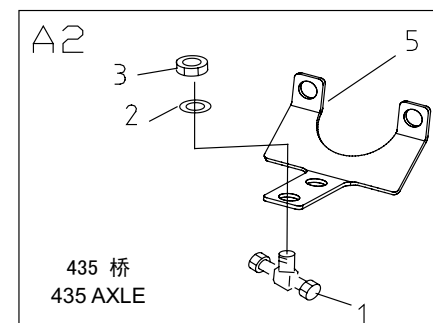
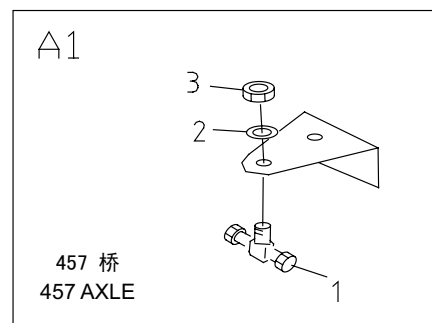
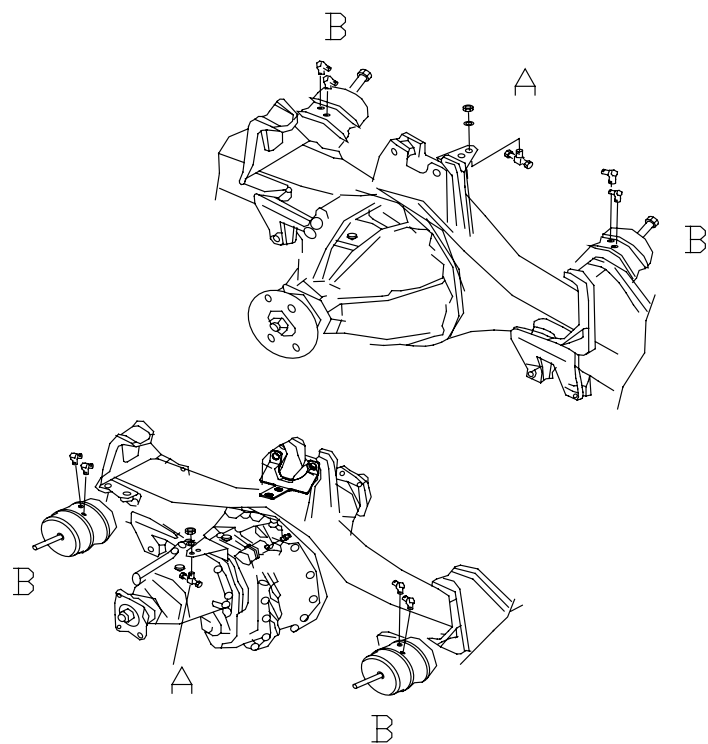
35-G



序号 No.	件号 Part No.	数量 Quantity	名称 Name	规格 Specification	适用产品 Products Applied	备注 Remark
1	35AD-06173	2	隔壁式三通接头体 (457 桥 /435 桥) Bypass Type 3-Way Connector(457 Axle/435 Axle)			
2	Q41018	2	内锯齿锁进垫圈 (457 桥 /435 桥) Inner Saw Lock Washer (457 Axle/435 Axle)			
3	Q80218	2	卡套式管接头用六角薄螺母 Thin Hexagon Nut For Ferrule-Type Tube Connector			
4	Q80812	8	卡套式锥螺纹直角接头体 Ferrule-Type Taper Thread Right Angle Connector			
5	35A7DZ-06172	1	三通接头固定支架 3-Way Connector Holding Bracket			
6	35ADQ-22013	4	卡套式三通接头体 Ferrule-Type 3-Way Connector			
7	35ADQ-22014	4	卡套式直通接头体 Ferrule-Type Straight Connector			

双后桥预装配图 (配 ABS)/DUAL REAR AXLE(W/ABS)

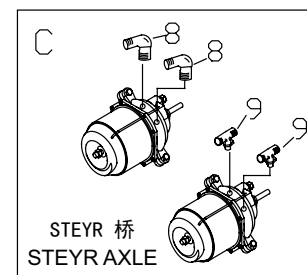
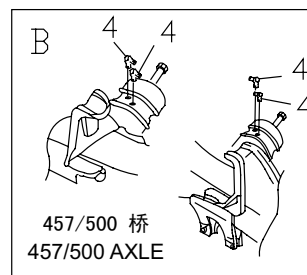
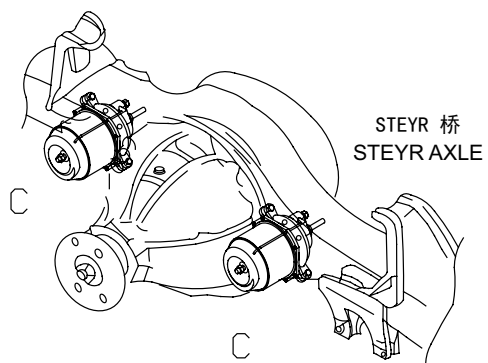
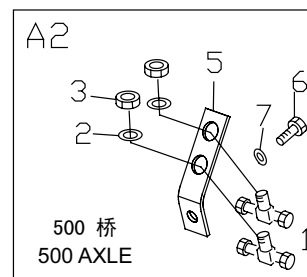
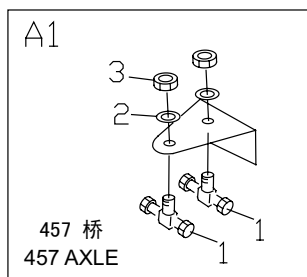
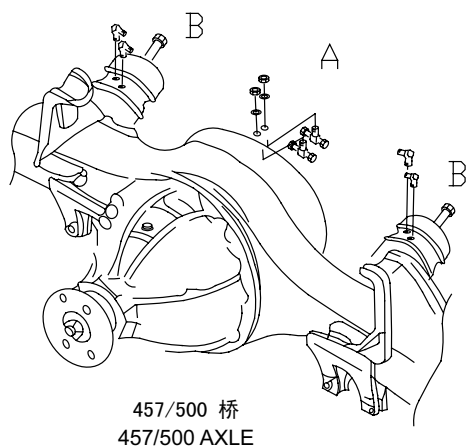
35-H



序号 No.	件号 Part No.	数量 Quantity	名称 Name	规格 Specification	适用产品 Products Applied	备注 Remark
1	35AD-06173	1	隔壁式三通接头体 Bypass 3-Way Connector			
2	Q41018	1	内锯齿锁进垫圈 Inner Saw Lock Washer			
3	Q80218	1	卡套式管接头用六角薄螺母 Thin Hexagon Nut For Ferrule-Type Tube Connector			
4	Q80812	8	卡套式锥螺纹直角接头体 Ferrule-Type Taper Thread Right Angle Connector			
5	35A7DZ-06172	1	三通接头固定支架 3-Way Connector Holding Bracket			
6	35ADQ-22013	2	卡套式三通接头体 Ferrule-Type 3-Way Connector			
7	35ADQ-22014	6	卡套式直角接头体 Ferrule-Type Right Angle Connector			

单后桥预装配图 (NO ABS)/SINGLE REAR AXLE(W/O ABS)

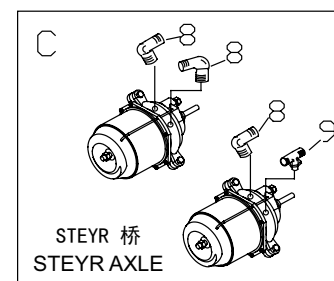
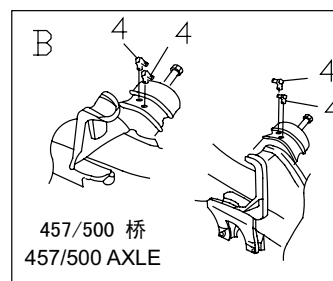
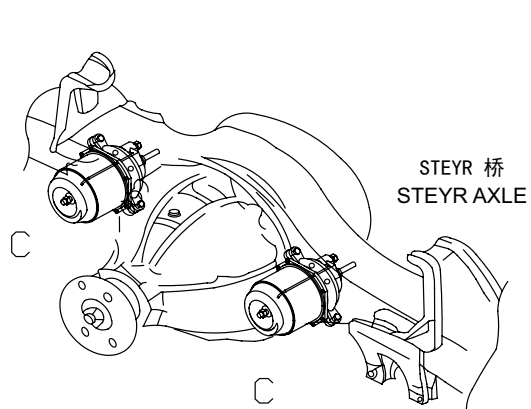
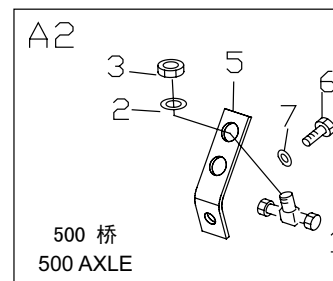
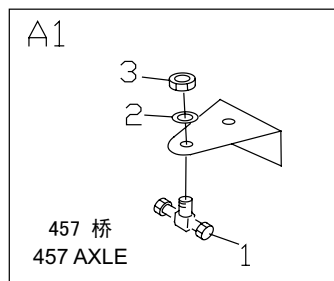
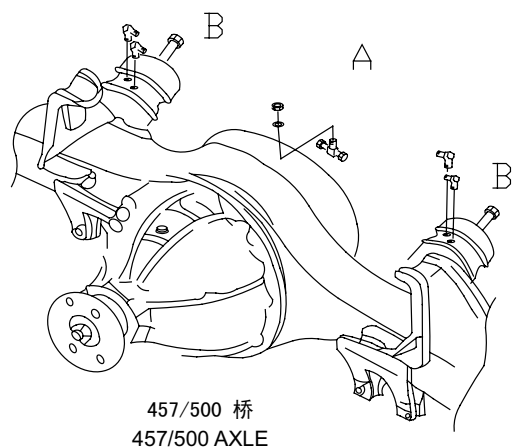
35-1



序号 No.	件号 Part No.	数量 Quantity	名称 Name	规格 Specification	适用产品 Products Applied	备注 Remark
1	35AD-06173	2	隔壁式三通接头体 Bypass Type Type 3-Way Connector			
2	Q41018	2	内锯齿锁进垫圈 Inner Saw Lock Washer			
3	Q80218	2	卡套式管接头用六角薄螺母 Thin Hexagon Nut For Ferrule-Type Tube Connector			
4	Q80812	4	卡套式锥螺纹直角接头体 Ferrule-Type Taper Thread Right Angle Connector			
5	35A4DQ1-06172	1	三通接头固定支架 3-Way Connector Holding Bracket			
6	Q150B1225	1	六角头螺栓 Hexagon Head Bolt			
7	Q40312	1	弹簧垫圈 Spring Washer			
8	35ADQ-22014	2	卡套式直角接头体 Ferrule-Type Right Angle Connector			
9	35ADQ-22013	2	卡套式三通接头体 Ferrule-Type 3-Way Connector			

单后桥预装配图 (配 ABS) / SINGLE REAR AXLE (W/ ABS)

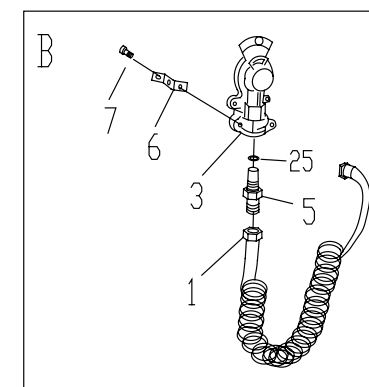
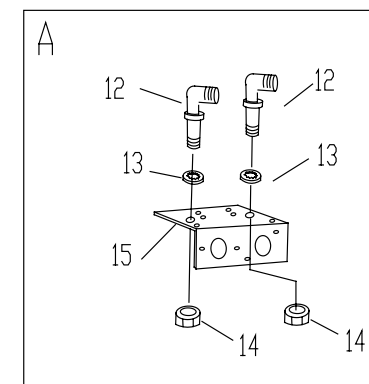
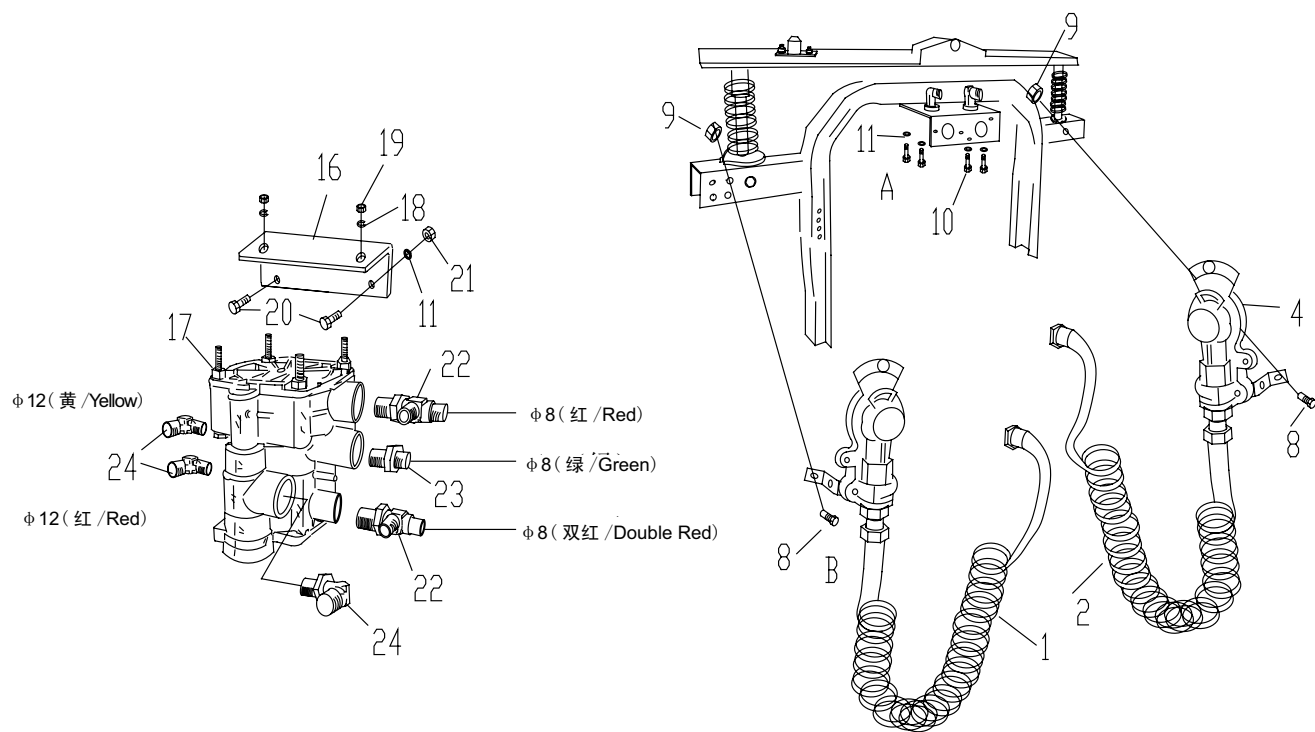
35-J



序号 No.	件号 Part No.	数量 Quantity	名称 Name	规格 Specification	适用产品 Products Applied	备注 Remark
1	35AD-06173	1	隔壁式三通接头体 Bypass Type 3-Way Connector			
2	Q41018	1	内锯齿锁进垫圈 Inner Saw Lock Washer			
3	Q80218	1	卡套式管接头用六角薄螺母 Thin Hexagon Nut For Ferrule-Type Tube Connector			
4	Q80812	4	卡套式锥螺纹直角接头体 Ferrule-Type Taper Thread Right Angle Connector			
5	35A4DQ1-06172	1	三通接头固定支架 3-Way Connector Holding Bracket			
6	Q150B1225	1	六角头螺栓 Hexagon Head Bolt			
7	Q40312	1	弹簧垫圈 Spring Washer			
8	35ADQ-22014	3	卡套式直角接头体 Ferrule-Type Right Angle Connector			
9	35ADQ-22013	1	卡套式三通接头体 Ferrule-Type 3-Way Connector			

挂车阀及螺旋管预装图 / TRAILER BRAKE VALVE AND SPIRAL TUBE

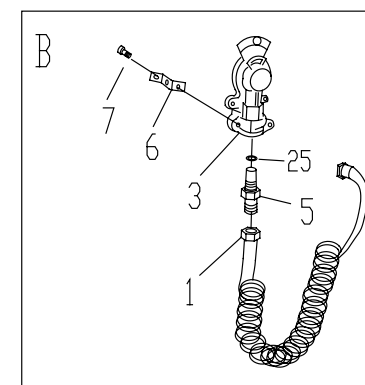
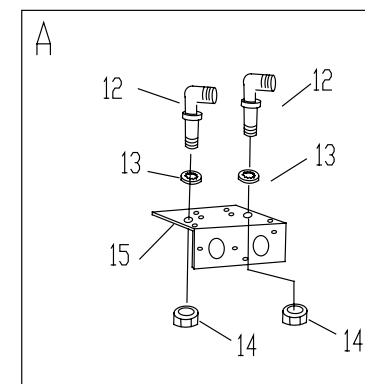
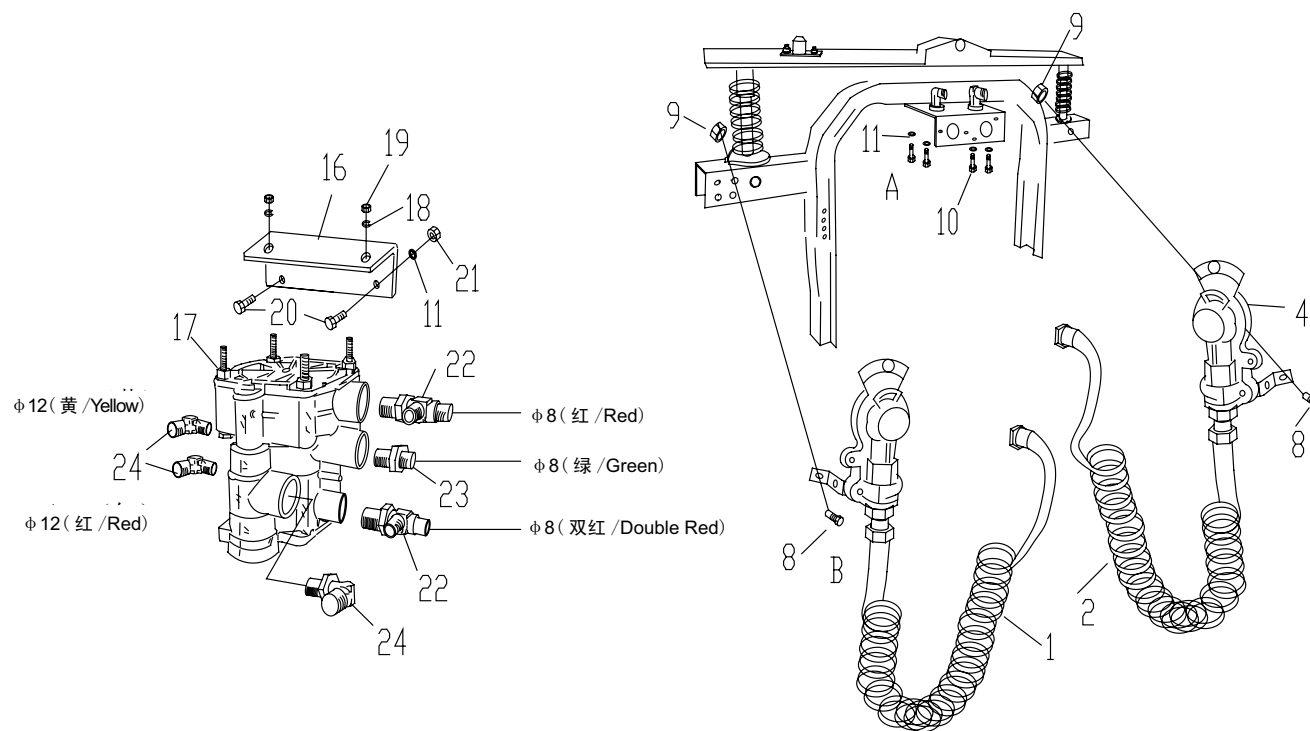
35-K



序号 No.	件号 Part No.	数量 Quantity	名称 Name	规格 Specification	适用产品 Products Applied	备注 Remark
1	35ADQ-06660	1	螺旋管总成 (黄) Spiral Tube Assembly(Yellow)			
2	35ADQ-06650	1	螺旋管总成 (红) Spiral Tube Assembly(Red)			
3	3521ADQ-020	1	连接接头 (黄) Connector(Yellow)			
4	3521ADQ-010	1	连接接头 (红) Connector(Red)			
5	Q80412	2	卡套式直通接头体 Ferrule-Type Straight Connector			
6	37AD-34047	2	固定支架 Holding Bracket			
7	Q1840625	2	六角法兰面螺栓 Hexagon Bolt With Flange			
8	Q1840820	2	六角法兰面螺栓 Hexagon Bolt With Flange			
9	Q32008	2	六角法兰面螺母 Hexagon Nut With Flange			
10	Q150B1016	4	六角头螺栓 Hexagon Head Bolt			
11	Q40310	6	弹簧垫圈 Spring Washer			
12	Q81412	2	卡套式隔壁直角接头体 Ferrule-Type Bypass Type Right Angle Connector			
13	Q41018	2	内锯齿锁紧垫圈 Inner Saw Lock Washer			
14	Q80218	2	六角薄螺母 Hexagon Thin Nut			

挂车阀及螺旋管预装图 / TRAILER BRAKE VALVE AND SPIRAL TUBE

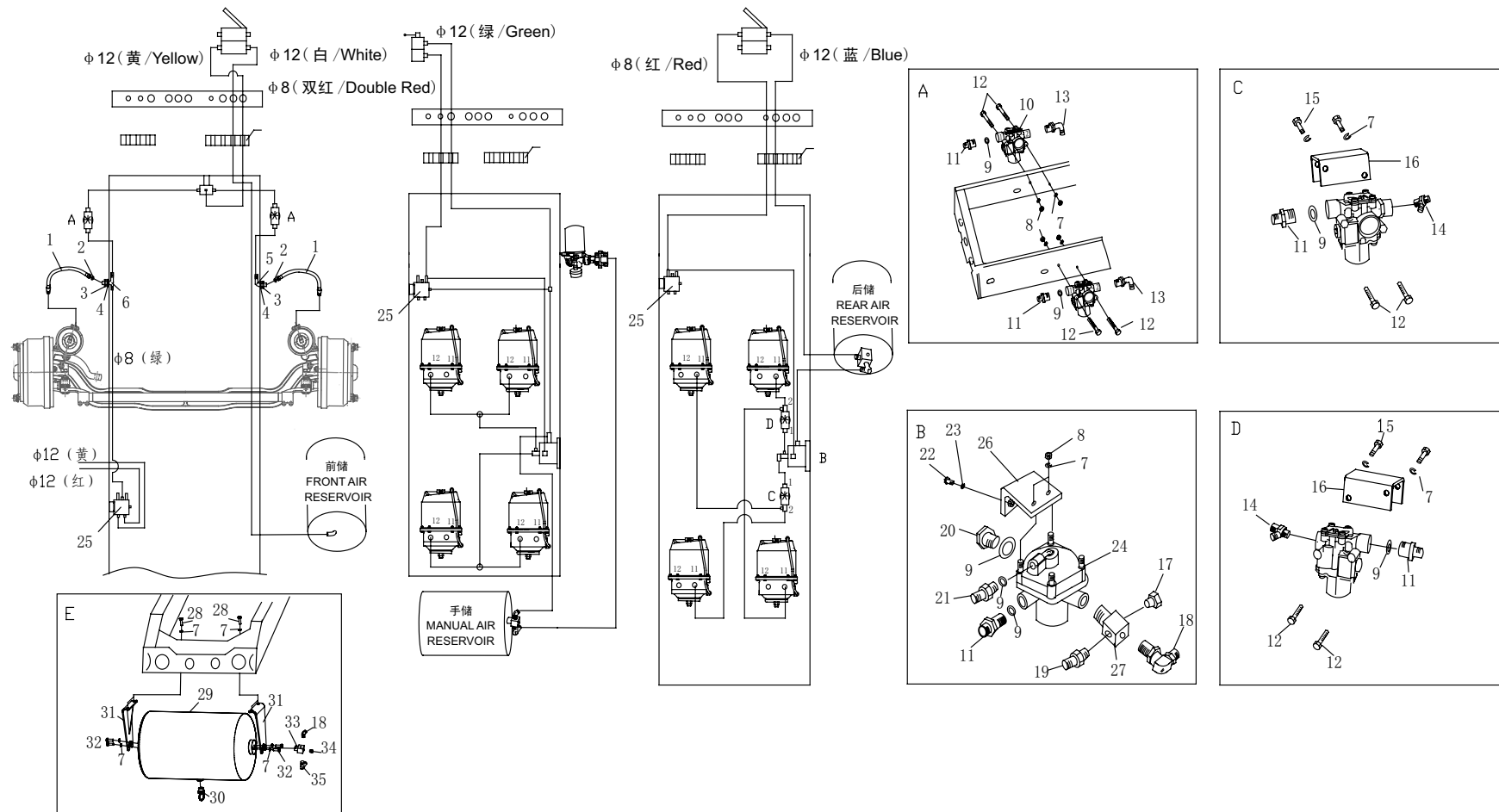
35-K



序号 No.	件号 Part No.	数量 Quantity	名称 Name	规格 Specification	适用产品 Products Applied	备注 Remark
15	35ADQ-21003	1	连接接头支架 Connector Bracket			
16	35ADQ-22011	1	挂车阀支架 Trailer Brake Valve Bracket			
17	3522ADQ-010	1	挂车阀总成 Trailer Brake Valve Assembly			
18	Q40310	2	弹簧垫圈 Spring Washer			
19	Q340B10	2	I型六角螺母 Hexagon Full Nut			
20	Q150B1035	2	六角头螺栓 Hexagon Head Bolt			
21	Q340B08	2	I型六角螺母 Hexagon Full Nut			
22	35ADQ-22017	2	卡套式直角三通接头体 Ferrule-Type Right Angle 3-Way Connector			
23	35ADQ-22016	1	卡套式直通接头体 Ferrule-Type Straight Connector			
24	35ADQ-22014	3	卡套式直角接头体 Ferrule-Type Right Angle Connector			
25	Q72316	2	密封垫圈 Seal Washer			

6×4 牵引车制动原理图 / 6×4 TRACTOR BRAKE

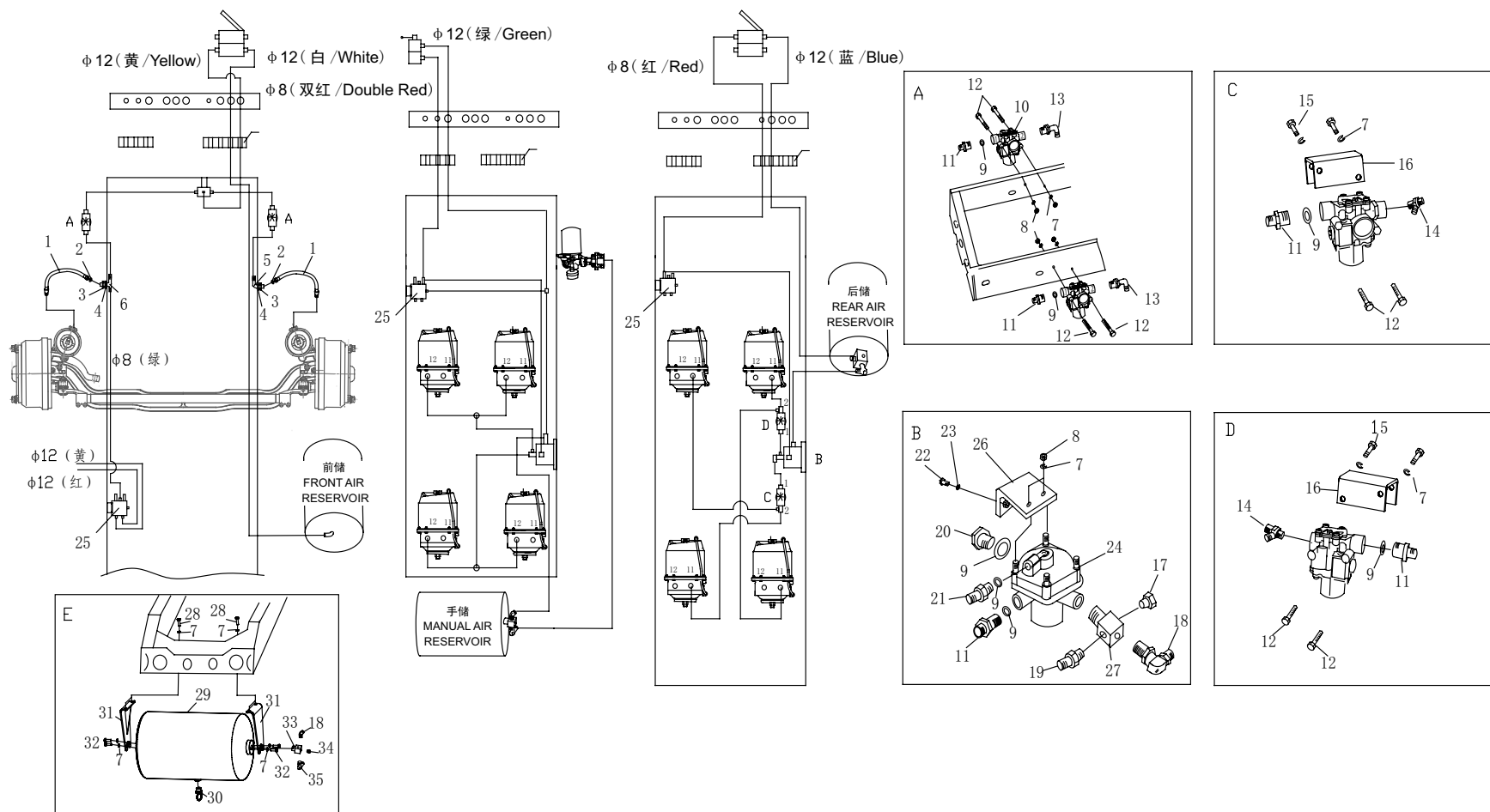
35-L



序号 No.	件号 Part No.	数量 Quantity	名称 Name	规格 Specification	适用产品 Products Applied	备注 Remark
1	35AD-06035	2	橡胶管总成 Rubber Tube Assembly		一汽前桥 FAW Front Axle	
2	Q72314	2	密封圈 Seal Ring			
3	Q80220	2	卡套式管接头用薄螺母 Thin Nut For Ferrule-Type Tube Connector			
4	Q41020	2	内锯齿锁紧垫圈 Inner Saw Lock Washer			
5	35AD-16105	1	卡套式隔壁式弯管接头体 Ferrule-Type Bypass Type Elbow Connector			
6	35ADQ-16105	1	卡套式隔壁式三通接头体 Ferrule-Type Bypass Type Type 3-Way Connector			
7	Q40308	18	弹簧垫圈 Spring Washer			
8	Q340B08	6	I型六角螺母 Hexagon Full Nut			
9	Q72322	7	密封垫圈 Seal Washer			
10	3550ADQ-010	4	ABS 电磁阀 ABS Solenoid Valve			
11	35AD-27104	5	卡套式直通接头体 Ferrule-Type Straight Connector			
12	Q150B0880	8	六角头螺栓 Hexagon Head Bolt			
13	35ADQ-27108	2	卡套式直角接头体 Ferrule-Type Right Angle Connector			
14	35AD-27102	2	卡套式三通接头体 Ferrule-Type 3-Way Connector			

6×4 牵引车制动原理图 / 6×4 TRACTOR BRAKE

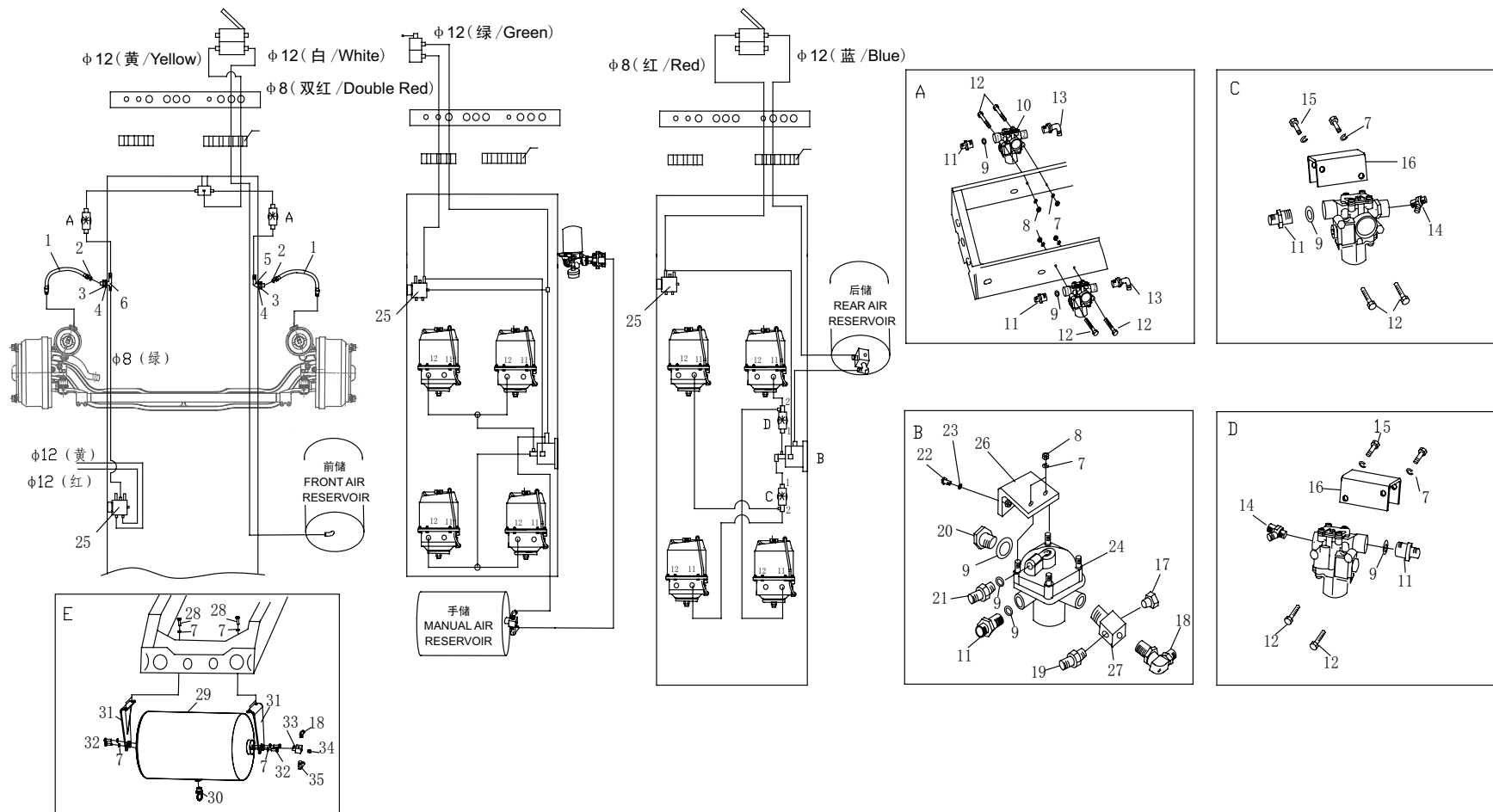
35-L



序号 No.	件号 Part No.	数量 Quantity	名称 Name	规格 Specification	适用产品 Products Applied	备注 Remark
15	Q150B0835	4	六角头螺栓 Hexagon Head Bolt			
16	35ADQ-28020	2	ABS 固定支架 ABS Holding Bracket			
17	35AD-13005	1	内六角形螺塞 Inner Hexagon Plug			
18	35AD-13004	1	卡套式直角接头 Ferrule-Type Right Angle Connector			
19	35AD-13009	1	卡套式锥螺纹直通接头体 Ferrule-Type Taper Thread Straight Connector			
20	Q617B22	1	螺塞 Plug			
21	35AD-27101	1	卡套式直通接头体 Ferrule-Type Straight Connector			
22	Q150B1035	2	六角头螺栓 Hexagon Head Bolt			
23	Q40310	2	弹簧垫圈 Spring Washer			
24	3527AD-010	1	继动阀总成 Relay Valve Assembly			
25	3522ADQ-010	1	挂车阀总成 Trailer Brake Valve Assembly			
26	35AD-27105	1	继动阀支架 Relay Valve Bracket			
27	35AD-27107	1	四通接头体 4-Way Connector			
28	Q150B0825	4	六角头螺栓 Hexagon Head Bolt			

6×4 牵引车制动原理图 / 6×4 TRACTOR BRAKE

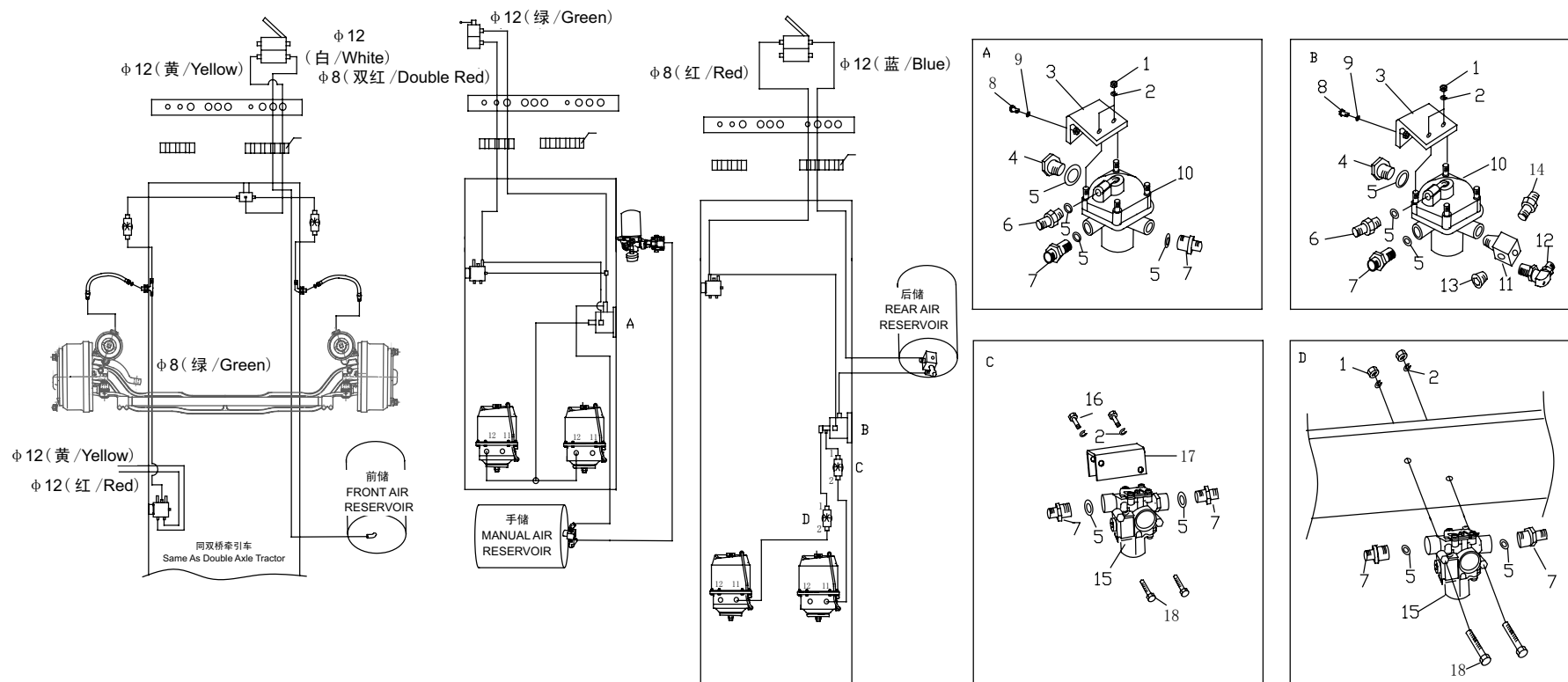
35-L



序号 No.	件号 Part No.	数量 Quantity	名称 Name	规格 Specification	适用产品 Products Applied	备注 Remark
29	3513AD-050	1	手储气筒总成 Hand Air Reservoir Assembly			
30	3513AD-040	1	放水阀 Water Drain Valve			
31	35Q16DQ-13059	2	手储支架 Hand Air Reservoir Bracket			
32	Q151B0816	4	六角头螺栓 Hexagon Head Bolt			
33	35AD-13002	1	四通接头体 4-Way Connector			
34	35AD-13005	1	内六角形螺塞 Inner Hexagon Plug			
35	35AD-13008	1	卡套式锥螺纹直角接头体 Ferrule-Type Taper Thread Right Angle Connector			

4×2 牵引车制动原理图 / 4×2TRACTOR BRAKE

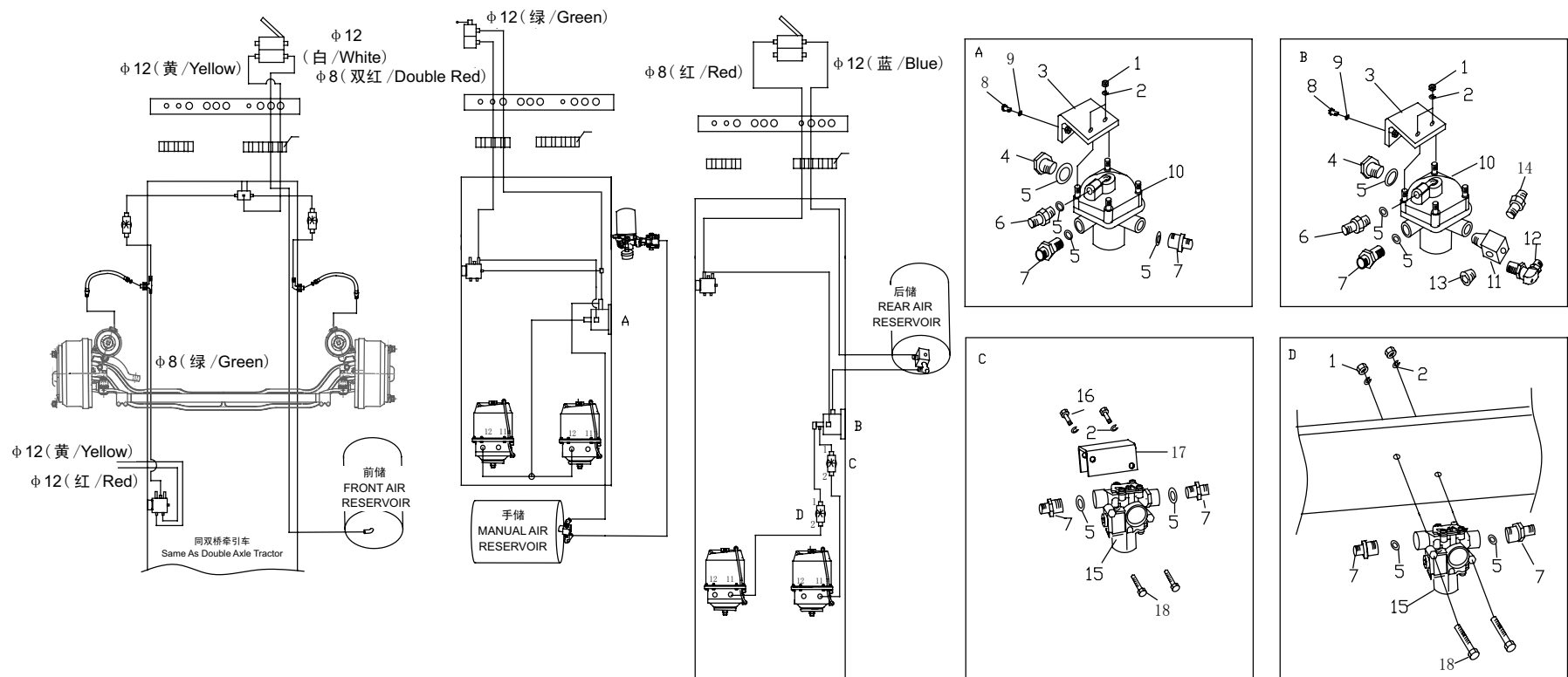
35-M



序号 No.	件号 Part No.	数量 Quantity	名称 Name	规格 Specification	适用产品 Products Applied	备注 Remark
1	Q340B08	4	I型六角螺母 Hexagon Full Nut		一汽前桥 FAW Front Axle	
2	Q40308	8	弹簧垫圈 Spring Washer			
3	35AD-27105	2	继动阀支架 Relay Valve Bracket			
4	Q617B22	2	螺塞 Plug			
5	Q72322	11	密封垫圈 Seal Washer			
6	35AD-27101	2	卡套式直通接头体 Ferrule-Type Straight Connector			
7	35AD-27104	7	卡套式直通接头体 Ferrule-Type Straight Connector			
8	Q150B1035	4	六角头螺栓 Hexagon Head Bolt			
9	Q40310	4	弹簧垫圈 Spring Washer			
10	3527AD-010	2	继动阀总成 Relay Valve Assembly			
11	35AD-27107	1	四通接头体 4-Way Connector			
12	35AD-13004	1	卡套式直角接头 Ferrule-Type Right Angle Connector			
13	35AD-13005	1	内六角螺塞 Inner Hexagon Plug			
14	35AD-13009	1	卡套式锥螺纹直通接头体 Ferrule-Type Taper Thread Straight Connector			

4×2 牵引车制动原理图 / 4×2 TRACTOR BRAKE

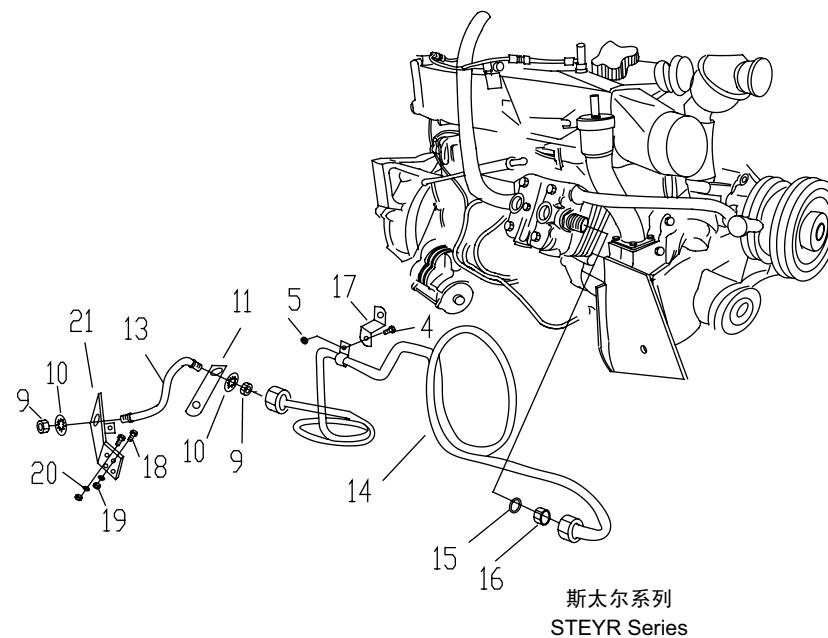
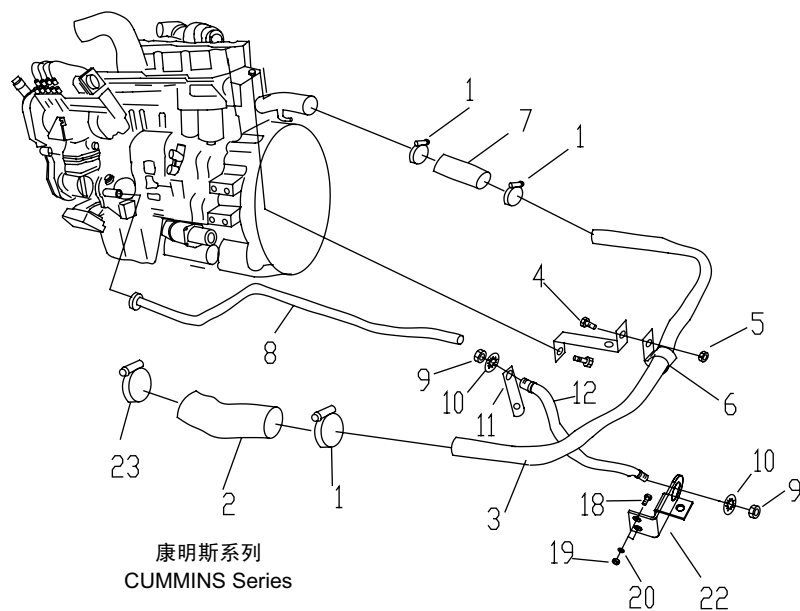
35-M



序号 No.	件号 Part No.	数量 Quantity	名称 Name	规格 Specification	适用产品 Products Applied	备注 Remark
15	3550ADQ-010	2	ABS 电磁阀 ABS Solenoid Valve			
16	Q150B0835	2	六角头螺栓 Hexagon Head Bolt			
17	35ADQ-28020	1	ABS 固定支架 ABS Holding Bracket			
18	Q150B0880	4	六角头螺栓 Hexagon Head Bolt			

空压机系统预装图 / AIR COMPRESSOR SYSTEM

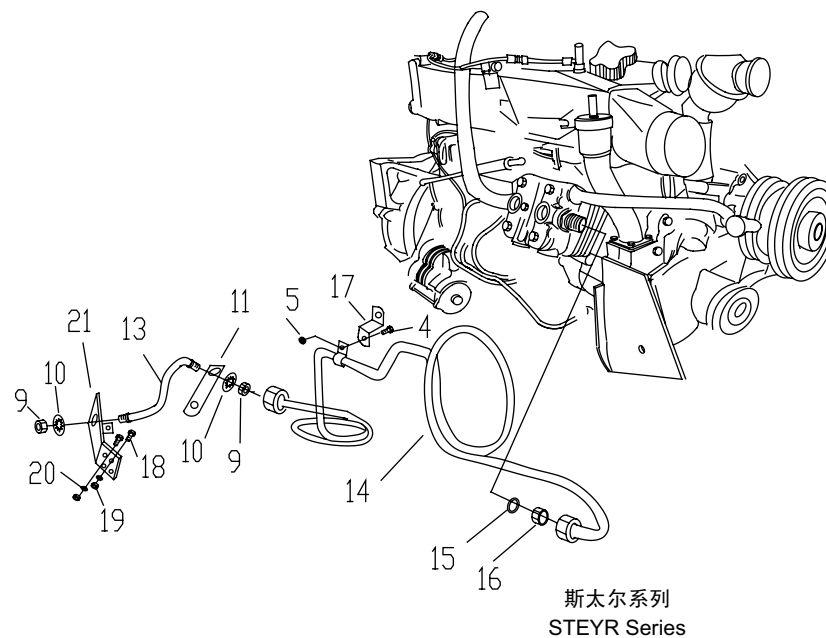
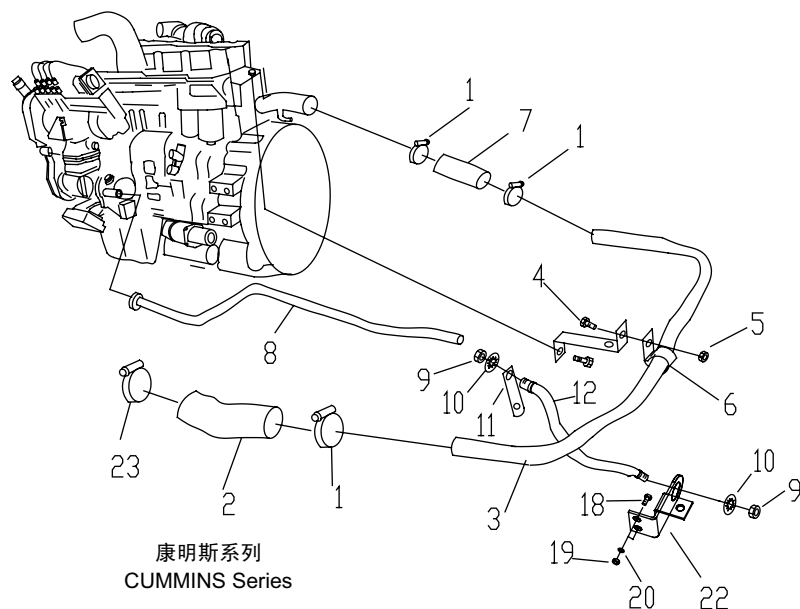
35-N



序号 No.	件号 Part No.	数量 Quantity	名称 Name	规格 Specification	适用产品 Products Applied	备注 Remark
1	Q67535	3	A 型蜗杆传动式软管环箍 A Type Worm Transmission Hose Snap Ring			
2	35A4D-09103	1	空压进气软管 B Air Compressor Inlet Hose B			
3	5A4D-09102	1	空压机进气钢管 Air Compressor Inlet Steel Tube			
4	Q1840616	1	六角法兰面螺栓 Hexagon Bolt With Flange			
5	Q32006	1	六角法兰面螺母 Hexagon Nut With Flange			
6	37AD-33217	1	固定管夹 Holding Tube Clamp			
7	35A4D-09101	1	空压进气软管 A Air Compressor Inlet Hose A			
8	35A10DZ-09010	1	空气管总成 - 空压机接空干器 (1) Air Tube Assembly- Air Compressor To Air Drier(1)		康明斯 C 系列牵引、自卸、货车 Tractor, Dump Truck And Truck With CUMMINS Series C Engine	
	35A4D-09010	1	空气管总成 - 空压机接空干器 (1) Air Tube Assembly- Air Compressor To Air Drier(1)		康明斯 C 系列搅拌车 CUMMINS Series C Mixer	
	35A18DQ-09010	1	空气管总成 - 空压机接空干器 (1) Air Tube Assembly- Air Compressor To Air Drier(1)		康明斯 L 系列牵引车 CUMMINS Series L Tractor	
	35A21D-09010	1	空气管总成 - 空压机接空干器 (1) Air Tube Assembly- Air Compressor To Air Drier(1)		康明斯 L345 系列搅拌车 CUMMINS Series L345 Mixer	
9	Q351B22	1	六角薄螺母 Thin Hexagon Nut			
10	35AD-09033	1	内锯齿锁紧垫圈 Inner Saw Lock Washer			
11	35A4D-09015	1	接头固定支架 Connector Holding Bracket			

空压机系统预装图 / AIR COMPRESSOR SYSTEM

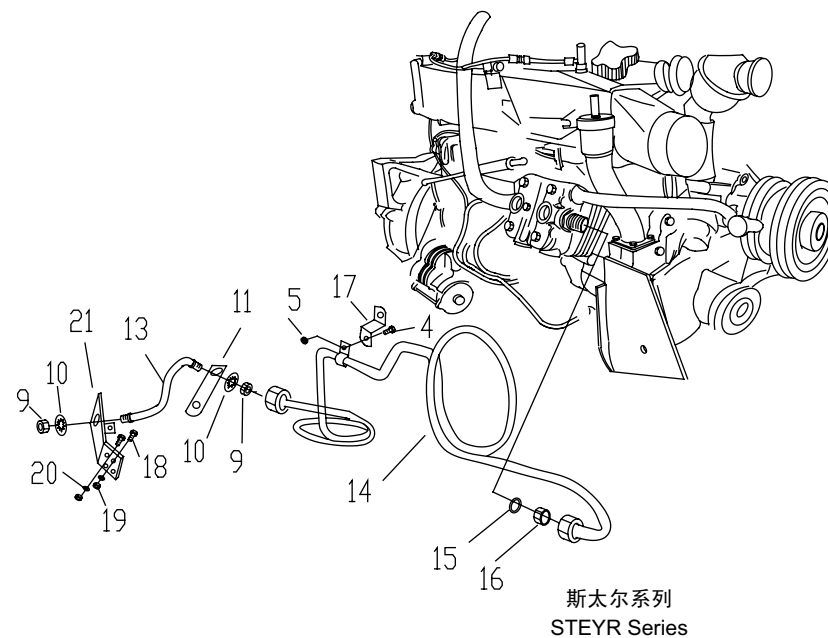
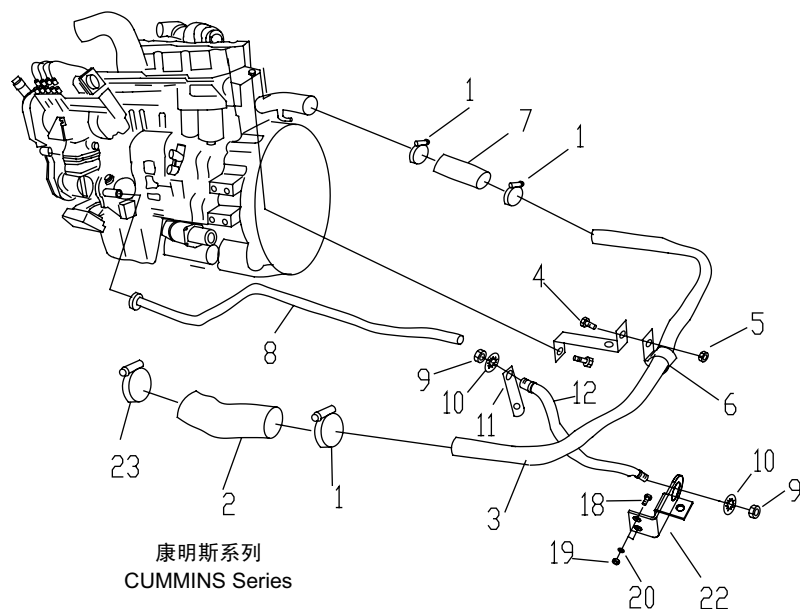
35-N



序号 No.	件号 Part No.	数量 Quantity	名称 Name	规格 Specification	适用产品 Products Applied	备注 Remark
12	35A10DZ-09016	1	橡胶管总成 - 空压机接空干器 (2) Rubber Tube Assembly- Air Compressor To Air Drier(2)		康明斯非搅拌车系列 CUMMINS Non-Mixer Series	
	35A4D-09016	1	橡胶管总成 - 空压机接空干器 (2) Rubber Tube Assembly- Air Compressor To Air Drier(2)		康明斯搅拌车系列 CUMMINS Mixer Series	
13	35A6DP5-09016	1	橡胶管总成 - 空压机接空干器 (2) Rubber Tube Assembly- Air Compressor To Air Drier(2)			
14	35A6DZ-09010	1	空气管总成 - 空压机接空干器 (1) Air Tube Assembly- Air Compressor To Air Drier(1)		斯太尔双桥、三桥车 STEYR 2-Axle Vehicle,3- Axle Vehicle	
	35A6DP5-09010	1	空气管总成 - 空压机接空干器 (1) Air Tube Assembly- Air Compressor To Air Drier(1)		斯太尔四桥非搅拌车 STEYR 4-Axle Non-Mixer	
	35A5D-09010	1	空气管总成 - 空压机接空干器 (1) Air Tube Assembly- Air Compressor To Air Drier(1)		斯太尔四桥搅拌车 STEYR 4-Axle Mixer	
15	Q72314	1	密封垫圈 Seal Washer			
16	35A6DZ-21001	1	密封接头 Seal Connector			
17	37AD-34047	1	固定支架 Holding Bracket			
18	Q150B0830	2	六角头螺栓 Hexagon Head Bolt			
19	Q40308	2	弹簧垫圈 Spring Washer			
20	Q340B08	2	I型六角螺母 Hexagon Full Nut			
21	35AD-09020	1	空气管支架 Air Tube Bracket			

空压机系统预装图 / AIR COMPRESSOR SYSTEM

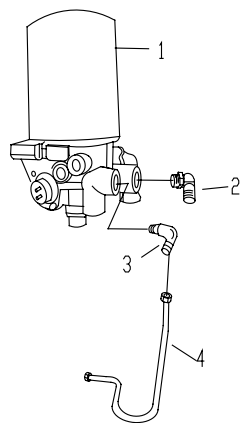
35-N



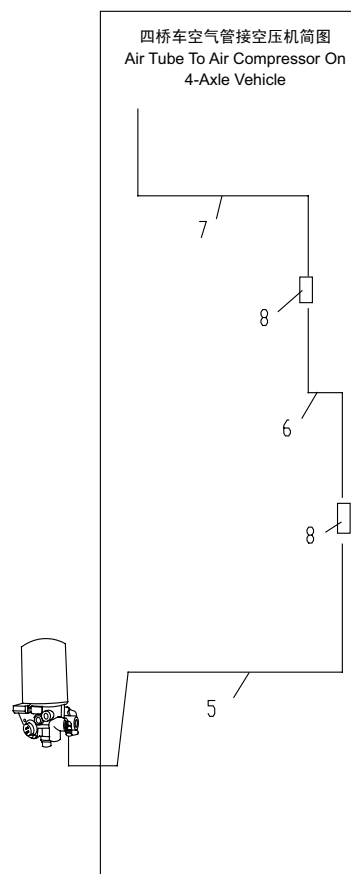
序号 No.	件号 Part No.	数量 Quantity	名称 Name	规格 Specification	适用产品 Products Applied	备注 Remark
22	35A3D-09020	1	空气管支架 Air Tube Bracket			
23	Q67545	1	A型蜗杆传动式软管环箍 A Type Worm Transmission Hose Snap Ring			

气源连接图 / AIR SOURCE

35-0



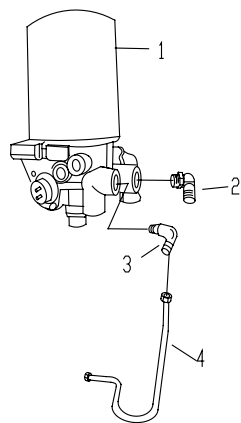
单前桥空气管及干燥器简图
Air Tube And Dryer On Single Front Axle Vehicle



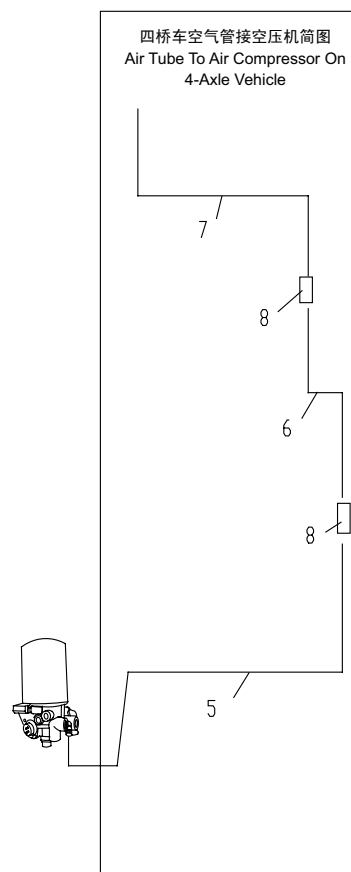
序号 No.	件号 Part No.	数量 Quantity	名称 Name	规格 Specification	适用产品 Products Applied	备注 Remark
1	3511A6DP5-010	1	空气干燥器 Air Drier			
2	35AD-11002	1	卡套式直角接头体 Ferrule-Type Right Angle Connector			
3	35AD-11001	1	卡套式直角接头体 Ferrule-Type Right Angle Connector			
4	35AHD-09025-A	1	空气管 - 空压机接空干器 Air Tube- Air Compressor To Air Drier		三菱、卡特匹勒底盘 MITSUBISHI,CATER Chassis	
	35AH2DZ-09025	1	空气管 - 空压机接空干器 Air Tube- Air Compressor To Air Drier		斯太尔底盘 STEYR Chassis	
	35AH23DZ-09025	1	空气管 - 空压机接空干器 Air Tube- Air Compressor To Air Drier		康明斯底盘 CUMMINS Chassis	
	35AH23DQ-09025	1	空气管 - 空压机接空干器 Air Tube- Air Compressor To Air Drier		康明斯牵引车 CUMMINS Tractor	
	35AHDQ-09025	1	空气管 - 空压机接空干器 Air Tube- Air Compressor To Air Drier		斯太尔牵引车 STEYR Tractor	
5	35AH6DP5-09025	1	空气管总成 - 空压机接空干器 (五) Air Tube Assembly- Air Compressor To Air Drier(5)		轴距 L=4000/4605 Wheel Base L=4000/4605	
	35AH4D4-09025	1	空气管总成 - 空压机接空干器 (五) Air Tube Assembly- Air Compressor To Air Drier(5)		轴距 L=3370 Wheel Base L=3370	
6	35A4D4-09021	1	空气管总成 - 空压机接空干器 (二) Air Tube Assembly- Air Compressor To Air Drier(2)		轴距 L=4000/3370 Wheel Base L=4000/3370	
	35A6DP5-09021	1	空气管总成 - 空压机接空干器 (二) Air Tube Assembly- Air Compressor To Air Drier(2)		轴距 L=4605 Wheel Base L=4605	
7	35A6DP5-09018	1	空气管总成 - 空压机接空干器 (一) Air Tube Assembly- Air Compressor To Air Drier(1)		斯太尔、日野、三菱、卡特发动机 STEYR, HINO, MITSUBISHI, CATER Engine	
	35A9DP5-09018	1	空气管总成 - 空压机接空干器 (一) Air Tube Assembly- Air Compressor To Air Drier(1)		康明斯、五十铃发动机 CUMMINS, ISUZU Engine	

气源连接图 / AIR SOURCE

35-O



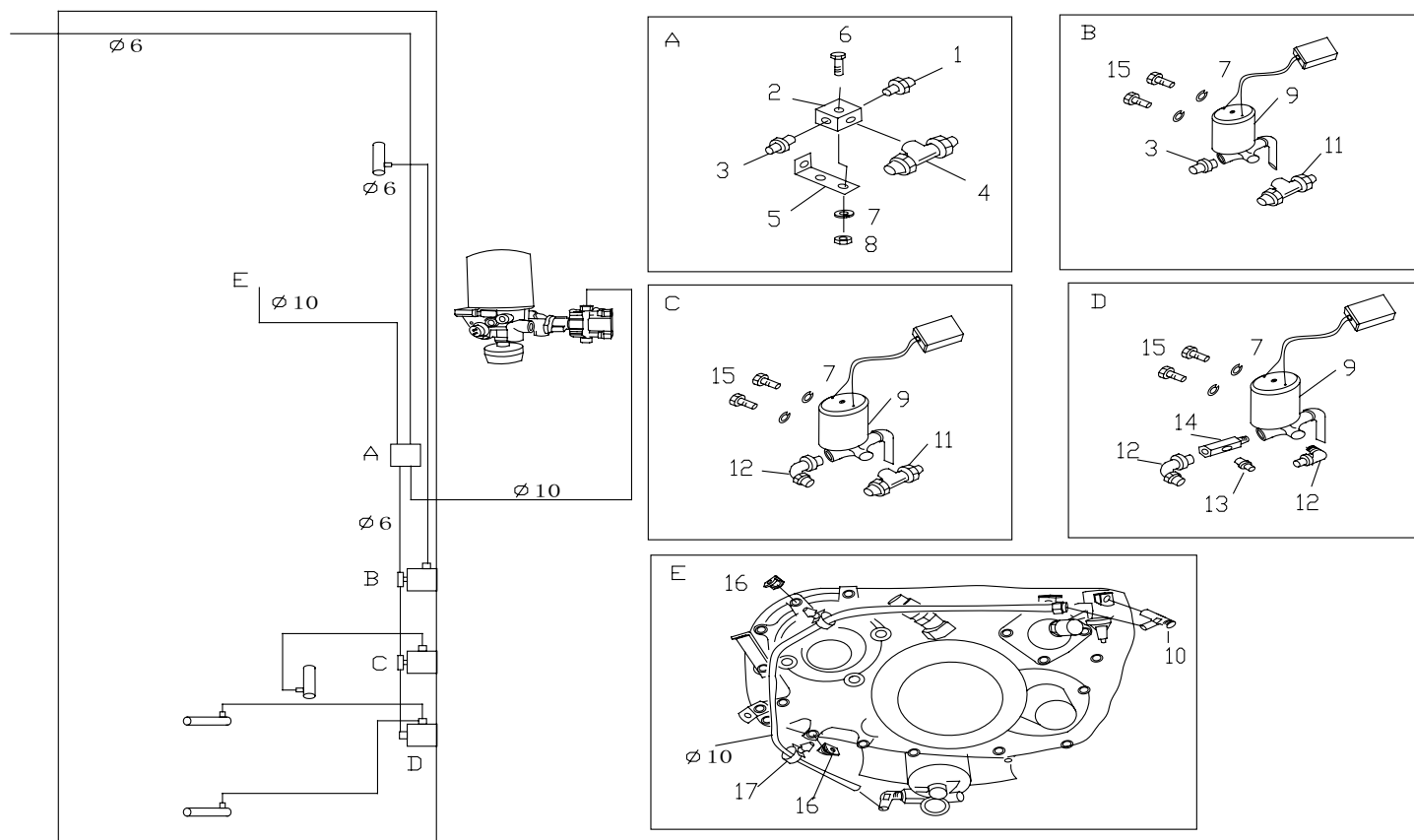
单前桥空气管及干燥器简图
Air Tube And Dryer On Single Front Axle Vehicle



序号 No.	件号 Part No.	数量 Quantity	名称 Name	规格 Specification	适用产品 Products Applied	备注 Remark
8	35A6DP5-11015	2	扩口式直通管接头体 Flared Type Straight Tube Connector			

辅助用气原理图 / AIDED AIR THEORY

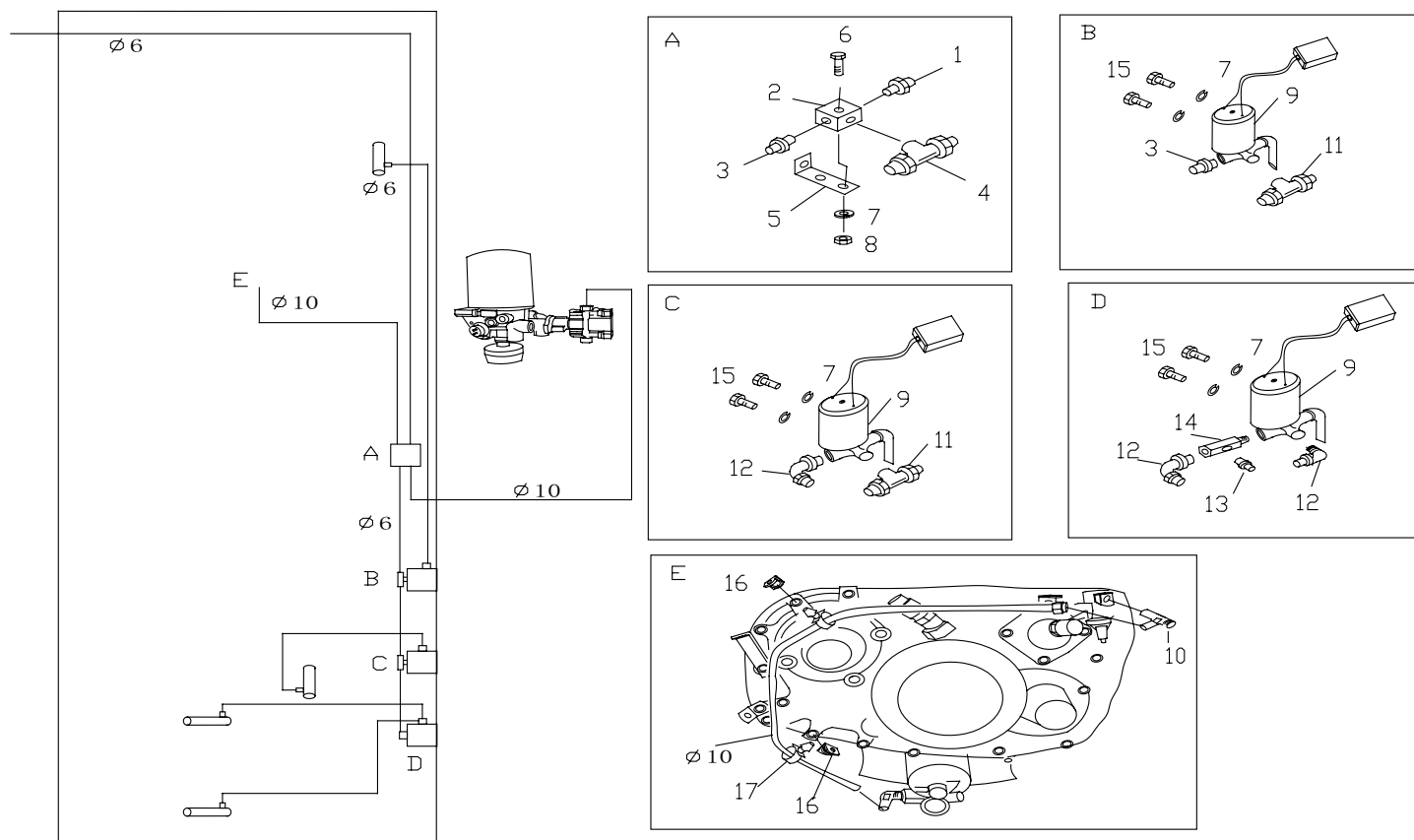
35-P



序号 No.	件号 Part No.	数量 Quantity	名称 Name	规格 Specification	适用产品 Products Applied	备注 Remark
1	35AD-06047	1	卡套式锥螺纹直通接头体 Ferrule-Type Taper Thread Straight Connector			
2	35AD-06041	1	三通接头体 3-Way Connector Body			
3	35AD-49019	2	卡套式锥螺纹直通接头体 Ferrule-Type Taper Thread Straight Connector			
4	35AD-06046	1	卡套式锥螺纹三通接头体 Ferrule-Type Taper Thread 3-Way Connector			
5	35AD-06042	1	三通接头固定支架 3-Way Connector Holding Bracket			
6	Q150B0840	1	六角头螺栓 Hexagon Head Bolt			
7	Q40308	7	弹簧垫圈 Spring Washer			
8	Q340B08	1	I型六角螺母 Hexagon Full Nut			
9	35AD-49010	3	电磁阀 Solenoid Valve			
10	35A4D-06084	1	卡套式锥螺纹三通接头体 Ferrule-Type Taper Thread 3-Way Connector			
11	35AD-06044	2	卡套式锥螺纹三通接头体 Ferrule-Type Taper Thread 3-Way Connector			
12	35AD-49012	3	卡套式锥螺纹直角接头体 Ferrule-Type Taper Thread Right Angle Connector			
13	35AD-49018	1	卡套式锥螺纹直通接头体 Ferrule-Type Taper Thread Straight Connector			
14	35AD-49013	1	六角三通接头体 Hexagon 3-Way Connector			

辅助用气原理图 / AIDED AIR THEORY

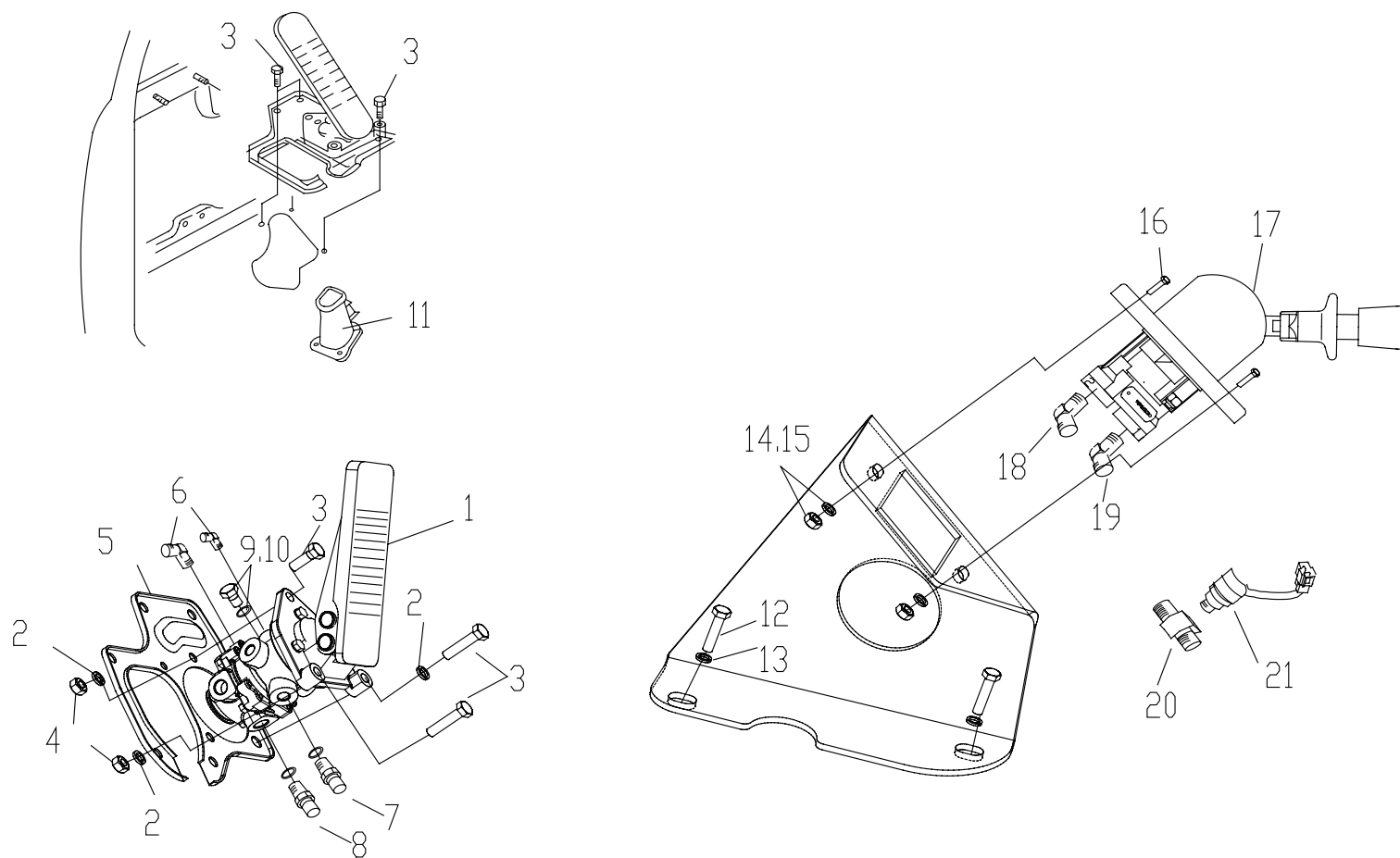
35-P



序号 No.	件号 Part No.	数量 Quantity	名称 Name	规格 Specification	适用产品 Products Applied	备注 Remark
15	Q150B0830	6	六角头螺栓 Hexagon Head Bolt			
16	37AD-34033	2	固定支架 Holding Bracket			
17	37AD-33002	2	塑料线夹 Plastic Wire Clip			

右驾驾驶室部分制动系统装置图 / BRAKE SYSTEM IN CAB OF RHD

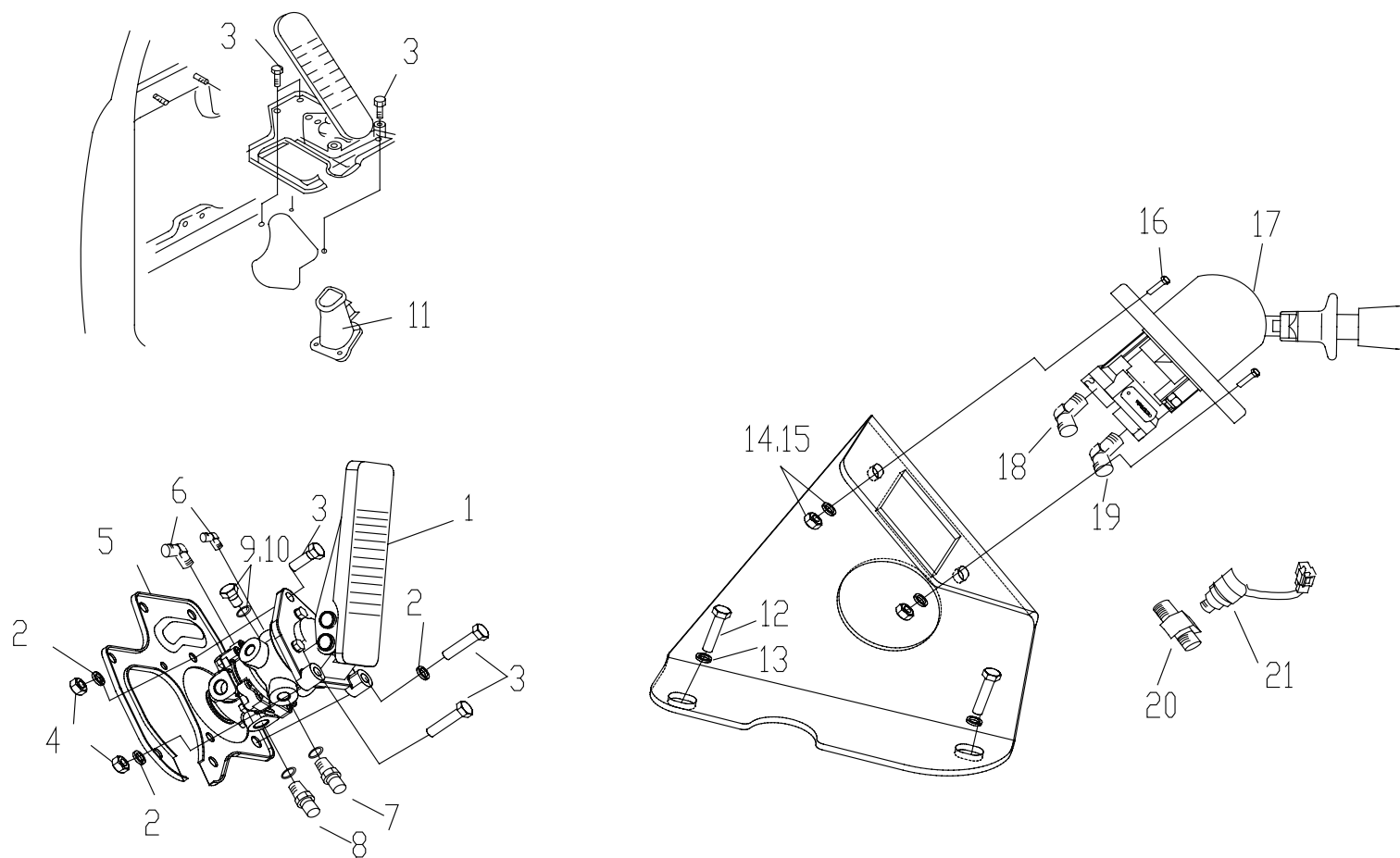
35-Q



序号 No.	件号 Part No.	数量 Quantity	名称 Name	规格 Specification	适用产品 Products Applied	备注 Remark
1	3514ADY-010	1	脚制动阀总成 Foot Brake Valve Assembly			
2	Q40308	4	弹簧垫圈 Spring Washer			
3	Q150B0835	4	六角头螺栓 Hexagon Head Bolt			
4	Q340B08	2	I型六角螺母 Hexagon Full Nut			
5	35ADY-14015	1	固定支架 Fixed Bracket			
6	35ADQ-22014	2	卡套式直角接头体 Ferrule-Type Right Angle Connector			
7	35ADQ-22016	1	卡套式直通接头体 Ferrule-Type Right Angle Connector			
8	Q80412	1	卡套式直通接头体 Ferrule-Type Right Angle Connector			
9	Q617B16	4	六角头螺塞 Hexagon Head Plug			
10	Q72316	6	密封垫圈 Seal Washer			
11	53A-01357	1	转向柱固定座 - 地板 Steering Column Holder-Floor			
12	Q150B1025	2	六角头螺栓 Hexagon Head Bolt			
13	Q40310	2	弹簧垫圈 Spring Washer			
14	Q340B06	2	I型六角螺母 Hexagon Full Nut			

右驾驾驶室部分制动系统装置图 / BRAKE SYSTEM IN CAB OF RHD

35-Q



制动系统 / BRAKE SYSTEM

35-70

序号 No.	件号 Part No.	数量 Quantity	名称 Name	规格 Specification	适用产品 Products Applied	备注 Remark
15	Q40306	2	弹簧垫圈 Spring Washer			
16	Q150B0635	2	六角头螺栓 Hexagon Head Bolt			
17	3517ADY-010	1	手制动阀总成 Hand Brake Valve Assembly			
18	35AHD-27101	1	卡套式直角接头体 Ferrule-Type Right Angle Connector			
19	35ADQ-22014	1	卡套式直角接头体 Ferrule-Type Right Angle Connector			
20	35AD-06203	1	卡套式隔壁三通接头体 Ferrule-Type 3-Way Connector			
21	3720AD-050	1	驻车制动灯检测开关 Parking Brake Light Detection Switch			

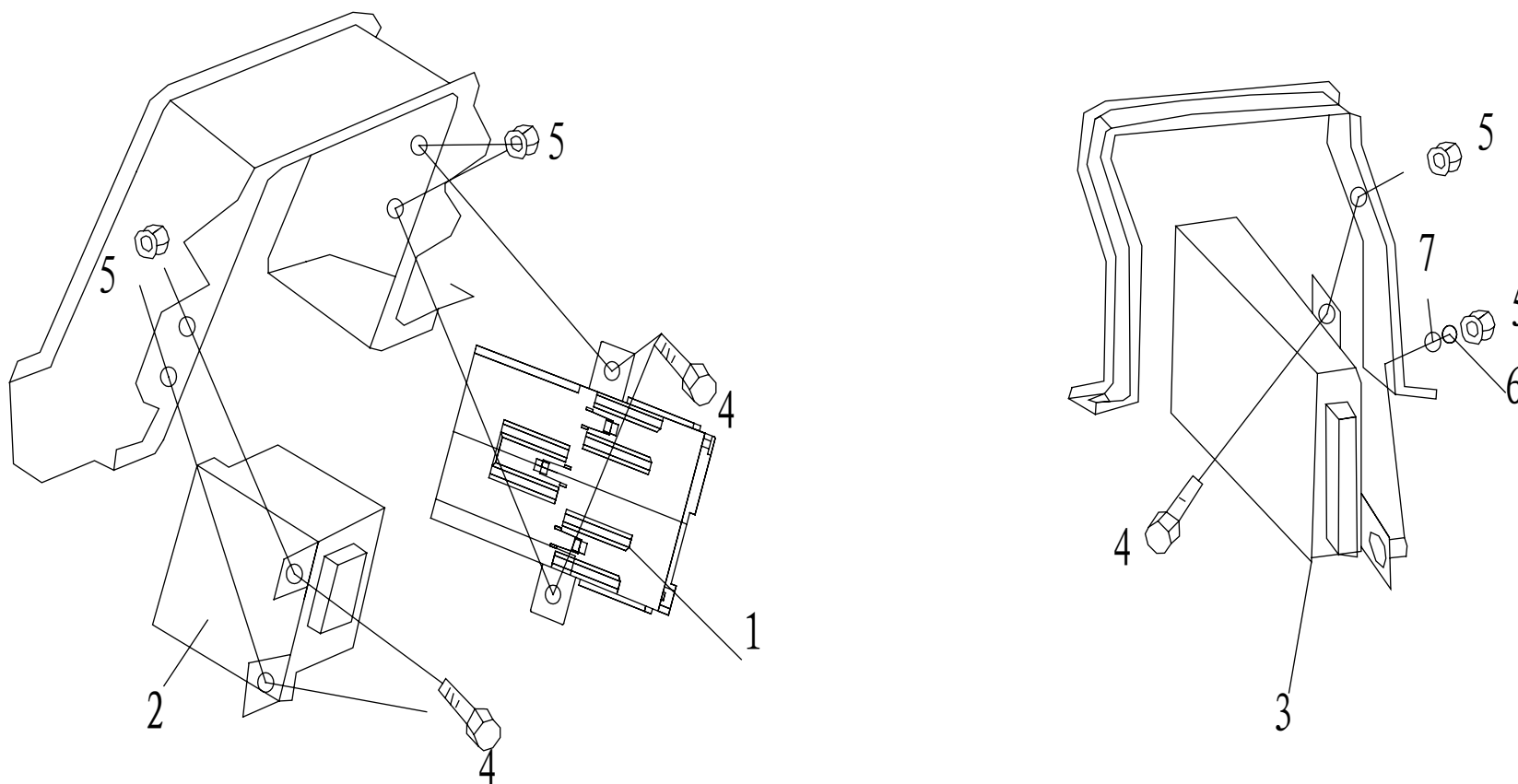
36

电子装置系统

***ELECTRIC DEVICE
SYSTEM***

车速, 闪光, 多功能控制器装置图
VEHICLE SPEED, FLASHER, MULTI-CONTROLLER

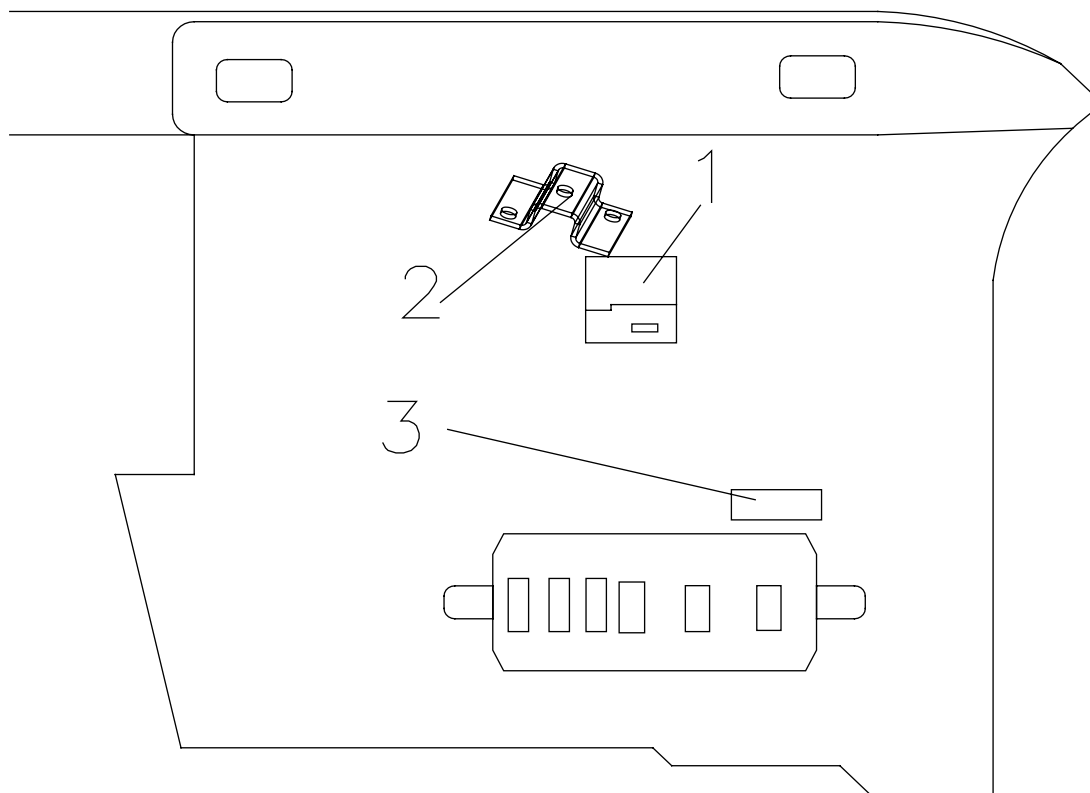
36-A



序号 No.	件号 Part No.	数量 Quantity	名称 Name	规格 Specification	适用产品 Products Applied	备注 Remark
1	36A4D-01030	1	车速表示器 Vehicle Speed Indicator		康明斯, 斯太尔发动机系列, 后桥速比 4.875 或 4.8 CUMMINS, STEYR Engine Series, Rear Axle Speed Ratio 4.875 Or 4.8	
	36A2D-01040	1	车速表示器 Vehicle Speed Indicator		康明斯, 斯太尔发动机系列, 后桥速比 5.73 或 5.833 CUMMINS, STEYR Engine Series, Rear Axle Speed Ratio 5.73 Or 5.833	
	36A4D-01050	1	车速表示器 Vehicle Speed Indicator		康明斯, 斯太尔发动机系列, 后桥速比 5.571 CUMMINS, STEYR Engine Series, Rear Axle Speed Ratio 5.571	
2	36ADQ-40020	1	闪光继电器 Flasher Relay		牵引车 Tractor	
	36AD-40020	1	闪光继电器 Flasher Relay		搅拌车, 货车, 自卸 Mixer, Truck, Dump Truck	
3	36AD-03010	1	多功能计时控制器 Multi Time Controller			
4	Q1460616	5	六角头螺栓、弹簧垫圈和平垫圈组合件 Hexagon Combination Bolt W/Spring And Plate Washer			
5	Q340B06	6	I型六角螺母 Hexagon Full Nut			
6	Q40106	1	平垫圈 Plate Washer			
7	Q40306	1	弹簧垫圈 Spring Washer			

脉冲分配器装置图 / PULSE DISTRIBUTOR

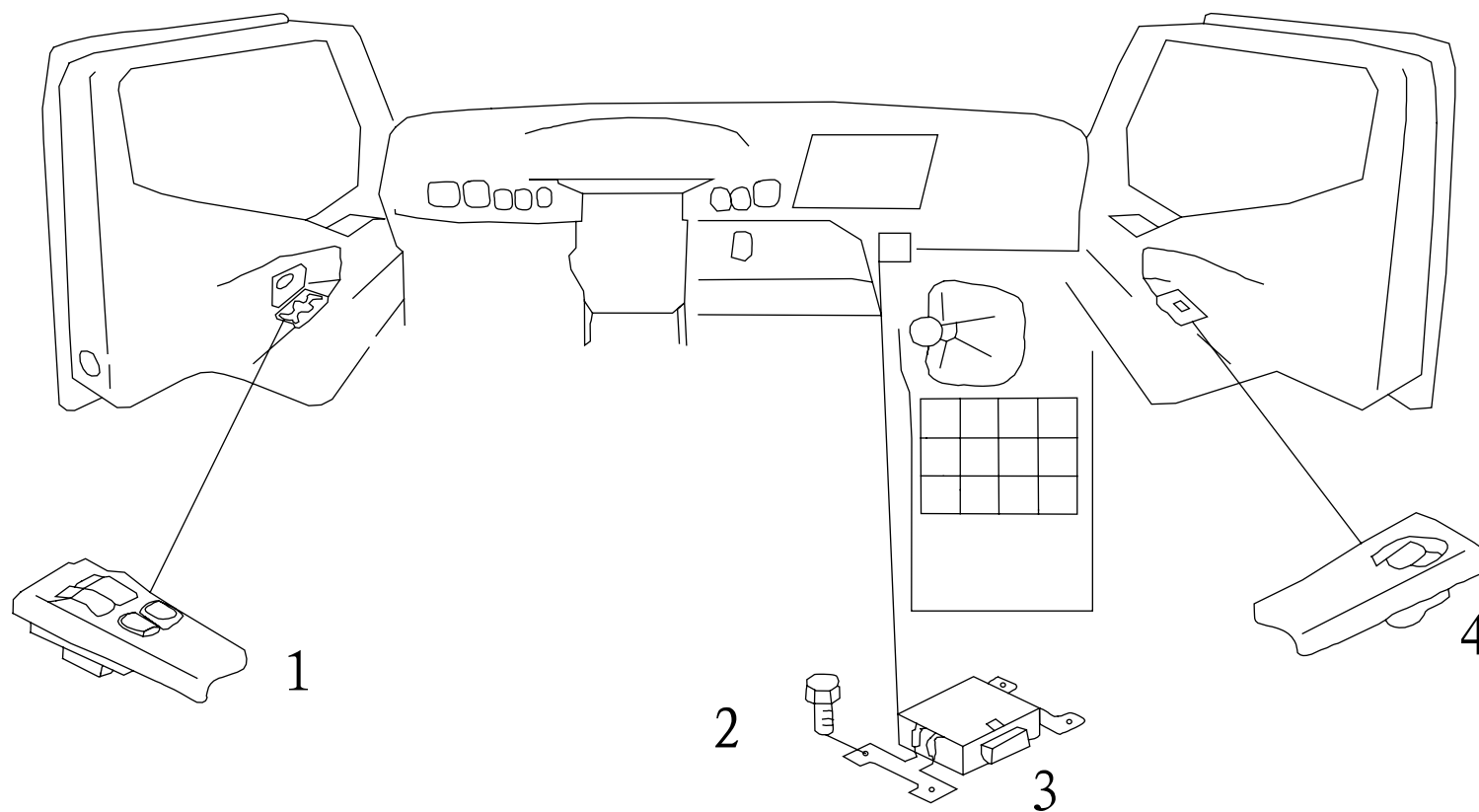
36-B



序号 No.	件号 Part No.	数量 Quantity	名称 Name	规格 Specification	适用产品 Products Applied	备注 Remark
1	36AD-02010	1	脉冲分配器 Pulse Distributor		三菱 五十铃发动机 MITSUBISHI,ISUZU Engine	
2	36AD-02011	1	脉冲分配器安装支架 Pulse Distributor Mounting Bracket		三菱 五十铃发动机 MITSUBISHI,ISUZU Engine	
3	MC854770- MC854777	8	燃油喷射控制电阻 Fuel Injection Control Resistance		三菱发动机 MITSUBISHI Engine	

电动门窗控制装置图 / POWER WINDOW CONTROLLER

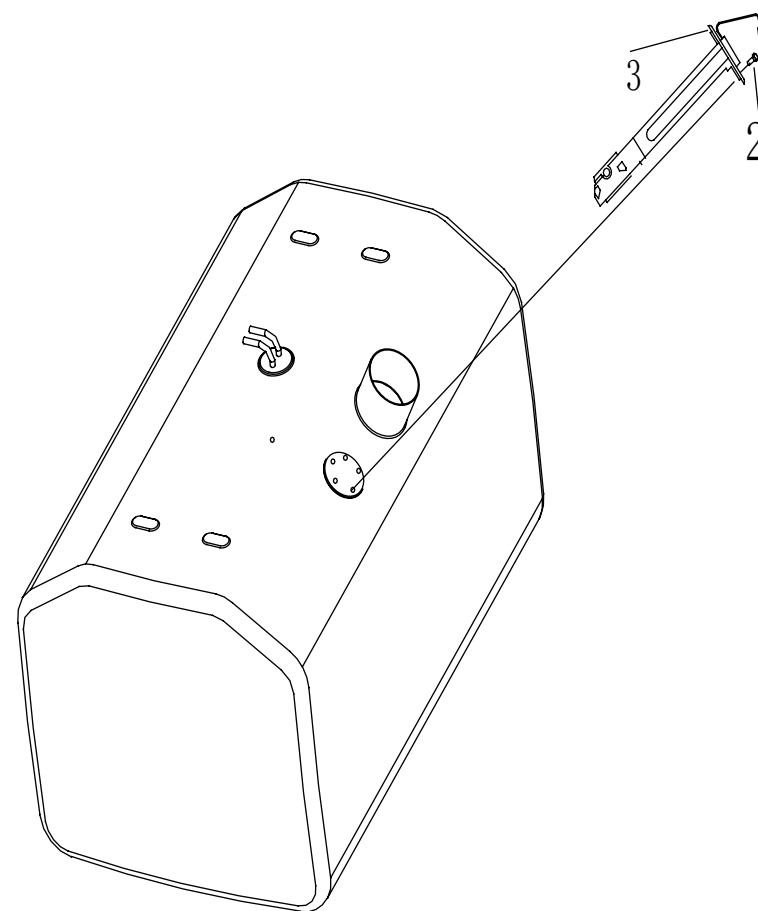
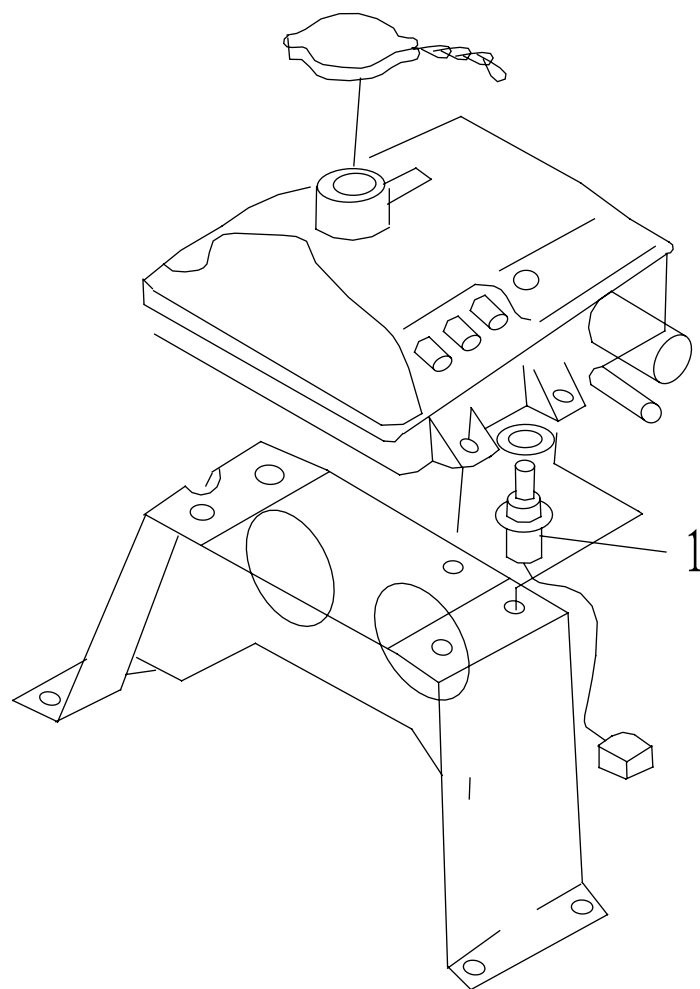
36-C



序号 No.	件号 Part No.	数量 Quantity	名称 Name	规格 Specification	适用产品 Products Applied	备注 Remark
1	37AD-46030	1	电动车窗开关总成 (左) Power Window Switch Assembly (LH)			
2	Q1460616	4	六角头螺栓弹簧垫圈和平垫圈组合件 Hexagon Combination Bolt W/Spring And Plate Washer			
3	36AD-04010	1	车窗门锁控制器总成 Window Lock Controller Assembly			
4	37AD-46040	1	电动车窗开关总成 (右) Power Window Switch Assembly (RH)			

水位传感器, 燃油液位传感器 / WATER LEVEL SENSOR, FUEL LEVEL SENSOR

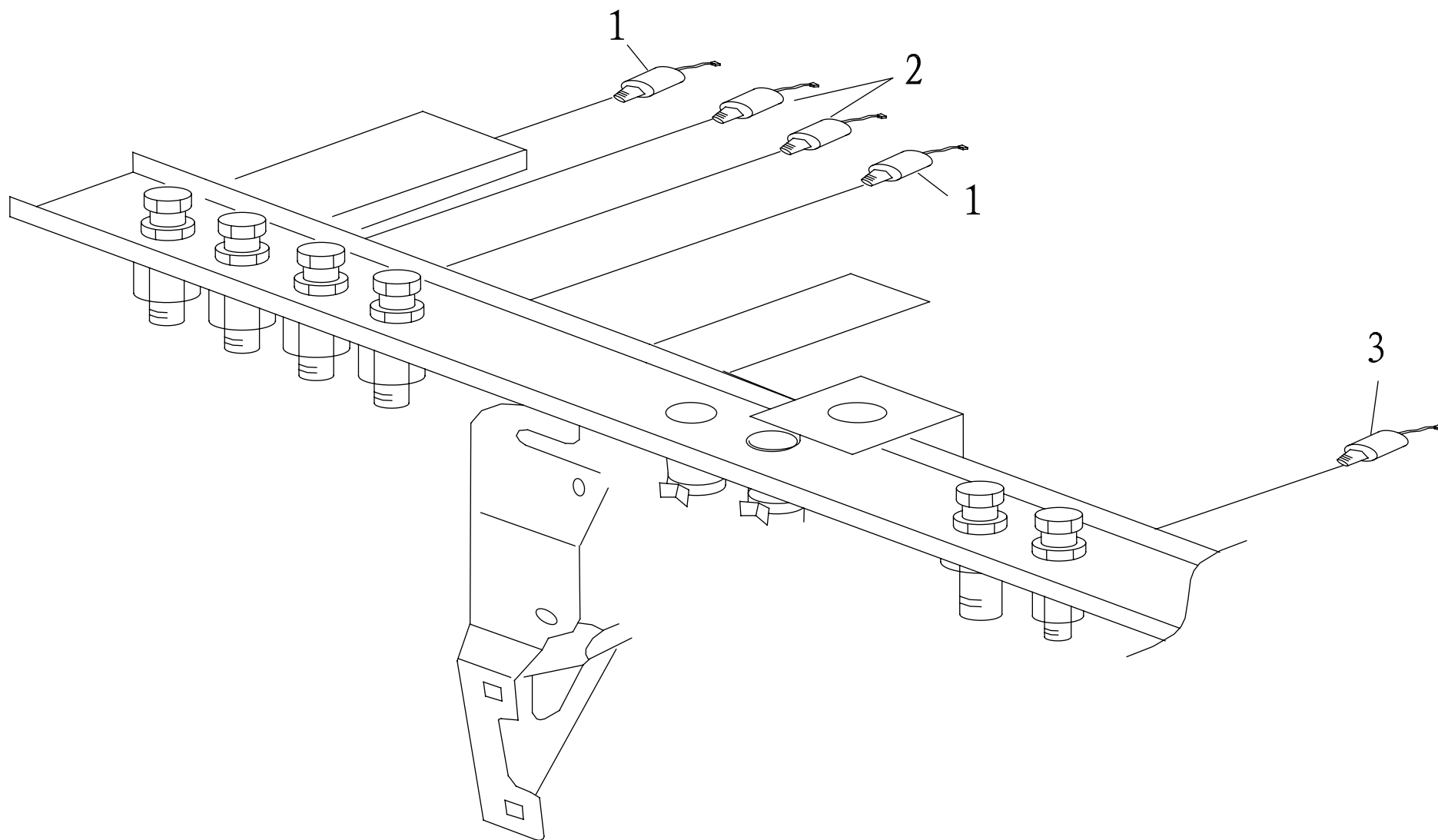
36-D



序号 No.	件号 Part No.	数量 Quantity	名称 Name	规格 Specification	适用产品 Products Applied	备注 Remark
1	36AD-10020	1	水位传感器 Water Level Sensor			
2	Q2140508	5	十字槽盘头螺钉 Cross Recessed Pan Head Screw			
3	36AD-10015	1	燃油液位传感器 Fuel Level Sensor		350L 油箱 350L Tank	
	36AD-10010	1	燃油液位传感器 Fuel Level Sensor		200L 油箱 200L Tank	
	36AD-10510	1	燃油液位传感器 Fuel Level Sensor		奔驰油箱 BENZ Tank	
	36AD-010515	1	燃油液位传感器 Fuel Level Sensor	高 560mm 560mm High	奔驰油箱, 进油管内径 \varnothing 12 BENZ Tank, Oil Inlet Tube Inner Diameter \varnothing 12	欧III Euro III
	36AD-10520	1	燃油液位传感器 Fuel Level Sensor	高 700mm 700mm High	奔驰油箱, 进油管内径 \varnothing 8 BENZ Tank, Oil Inlet Tube Inner Diameter \varnothing 8	
	36AD-10525	1	燃油液位传感器 Fuel Level Sensor	高 700mm 700mm High	奔驰油箱, 进油管内径 \varnothing 12 BENZ Tank, Oil Inlet Tube Inner Diameter \varnothing 12	欧III Euro III
	36AD-10530	1	燃油液位传感器 Fuel Level Sensor	高 560mm 560mm High	奔驰油箱, 进油管内径 \varnothing 12 BENZ Tank, Oil Inlet Tube Inner Diameter \varnothing 12	潍柴欧III专用 Only For WEICHAI Euro III

气压传感器 / AIR PRESSURE SENSOR

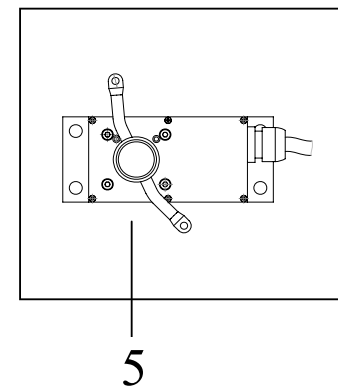
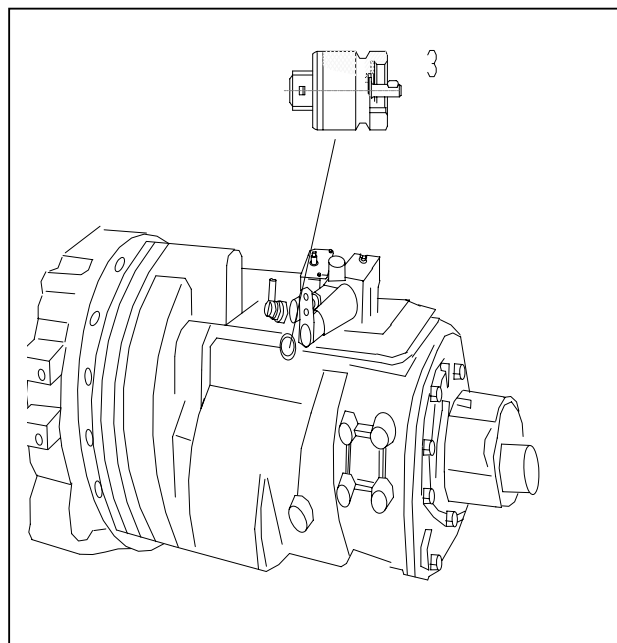
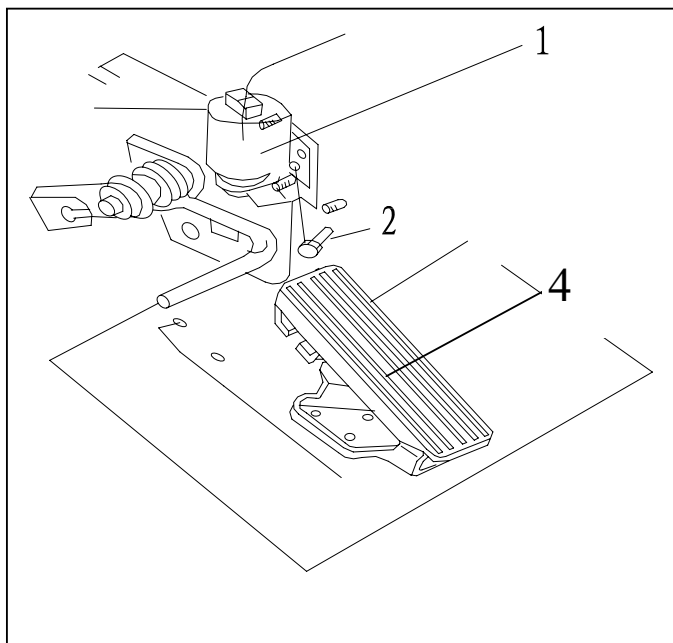
36-E



序号 No.	件号 Part No.	数量 Quantity	名称 Name	规格 Specification	适用产品 Products Applied	备注 Remark
1	3720AD-010	2	行车制动灯开关 Running Brake Light Switch			
2	36AD-10080	2	低气压传感器 (电子式) Low Air Pressure Sensor (Electric)		配步进电机仪表 Meter W/Step Motor	
	35AD-06202	2	低气压传感器 Low Air Pressure Sensor		配除步进电机仪表外仪表 Meter W/O Step Motor	
3	3720AD-020	1	驻车制动灯开关 Parking Brake Light Switch			

油门传感器, 车速传感器 / THROTTLE SENSOR, SPEED SENSOR

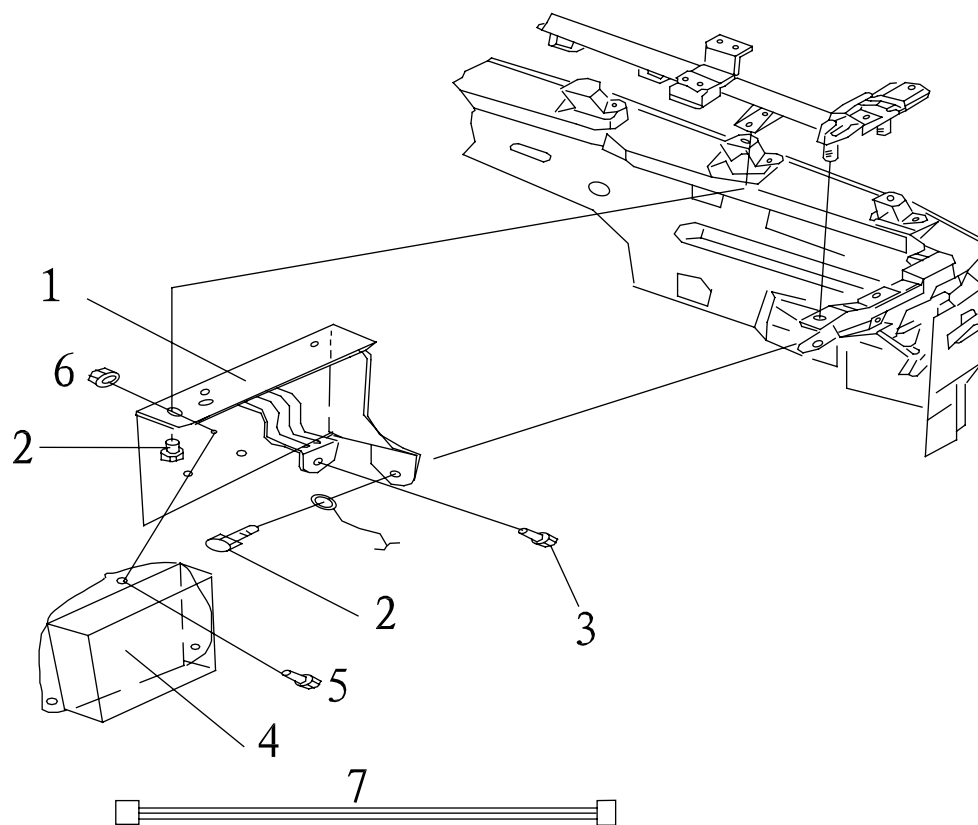
36-F



序号 No.	件号 Part No.	数量 Quantity	名称 Name	规格 Specification	适用产品 Products Applied	备注 Remark
1	36AD-77011	1	油门传感器 Throttle Sensor			
	36AD-77010	1	油门传感器 Throttle Sensor		三菱发动机 MITSUBISHI Engine	
	1815340032	1	油门传感器 Throttle Sensor		五十铃发动机 ISUZU Engine	
2	Q1420616	2	六角头螺栓弹簧垫圈组合件 Hexagon Combination Bolt W/Spring Washer			
3	36A4D-10050	1	车速传感器 Speed Sensor		康明斯和斯太尔发动机 CUMMINS And STEYR Engine	
4	36A44D-08010	1	日野欧III油门踏板 HINO Euro III Accelerator Pedal		日野欧III发动机 HINO Euro III Engine	
	36A59D-08010	1	潍柴欧III电子油门踏板 WEICHA I Euro III Electronic Accelerator Pedal		潍柴欧III WEICHA I Euro III	
	36A43D-08010	1	康明斯欧III电子油门踏板 CUMMINS Euro III Electronic Accelerator Pedal		康明斯欧III CUMMINS Euro III	
	36A52D-08010	1	卡特欧III油门踏板 CATER Euro III Accelerator Pedal		卡特欧III CATER Euro III	
5	36A44D-08510	1	日野欧III后置油门 HINO Euro III Postposition Throttle		日野欧III发动机 HINO Euro III Engine	
	36A59D-08510	1	潍柴欧III后置油门 WEICHA I Euro III Postposition Throttle		潍柴欧III WEICHA I Euro III	
	36A43D-08510	1	康明斯欧III后置油门 CUMMINS Euro III Postposition Throttle		康明斯欧III CUMMINS Euro III	
	36A52D-08510	1	卡特欧III置油门 CATER Euro III Postposition Throttle		卡特欧III CATER Euro III	

ABS 控制器 (康明斯发动机系列) ABS CONTROLLER (CUMMINS ENGINE SERIES)

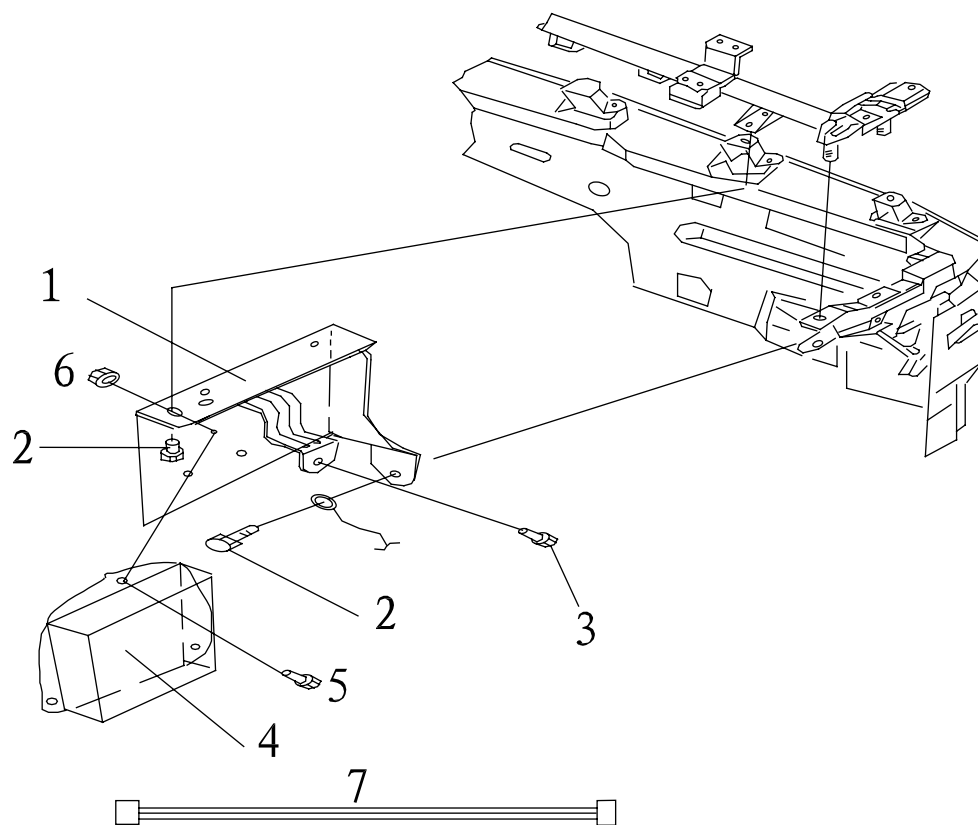
36-G



序号 No.	件号 Part No.	数量 Quantity	名称 Name	规格 Specification	适用产品 Products Applied	备注 Remark
1	36AD-05011	1	ECU 支架 ECU Bracket			
2	Q1420616	2	六角头螺栓和弹簧垫圈组合件 Hexagon Combination Bolt W/Spring Washer			
3	Q1460620	1	六角头螺栓、弹簧垫圈和平垫圈组合件 Hexagon Combination Bolt W/Spring And Plate Washer			
4	35ADQ-50020	1	ABS 控制器 ABS Controller			
5	Q2360616	3	十字槽盘头螺钉弹平垫组合件 Cross Recessed Pan Head Combination Screw W/Spring And Plate Washer			
6	Q340B06	3	I 型六角螺母 Hexagon Full Nut			
7	35A4DQ-50040		ABS 车架线束 (康明斯) ABS Frame Wire Harness (CUMMINS)		双桥牵引车系列 (康明斯) Double Axle Tractor Series (CUMMINS)	
	35A4DQ-50045		ABS 车架线束 (康明斯单桥) ABS Frame Wire Harness (CUMMINS Single Axle)		单桥牵引车系列 (康明斯) Single Axle Tractor Series (CUMMINS)	
	35A4DQ-50041		ABS 车架线束 (康明斯 4700) ABS Frame Wire Harness (CUMMINS 4700)		4700 货车系列 (康明斯) 4700 Truck Series (CUMMINS)	
	35A4DQ-50042		ABS 车架线束 (康明斯 5600) ABS Frame Wire Harness (CUMMINS 5600)		5600 货车系列 (康明斯) 5600 Truck Series (CUMMINS)	
	35AH4DQ-50040		AH 车架 ABS 线束 (康明斯牵引) AH Frame ABS Wire Harness (CUMMINS Tractor)		卡特 C13 牵引 CATER C13 Tractor	
	35A9DP5-50043		ABS 车架线束 (康明斯 4000) ABS Frame Wire Harness (CUMMINS 4000)		非 HOWO 结构康明斯 4000 Non-HOWO Structure CUMMINS 4000	
	35A4DP4-50045		ABS 车架线束 (康明斯 4605) ABS Frame Wire Harness (CUMMINS 4605)		非 HOWO 结构康明斯 4605 Non-HOWO Structure CUMMINS 4605	

ABS 控制器 (康明斯发动机系列) ABS CONTROLLER (CUMMINS ENGINE SERIES)

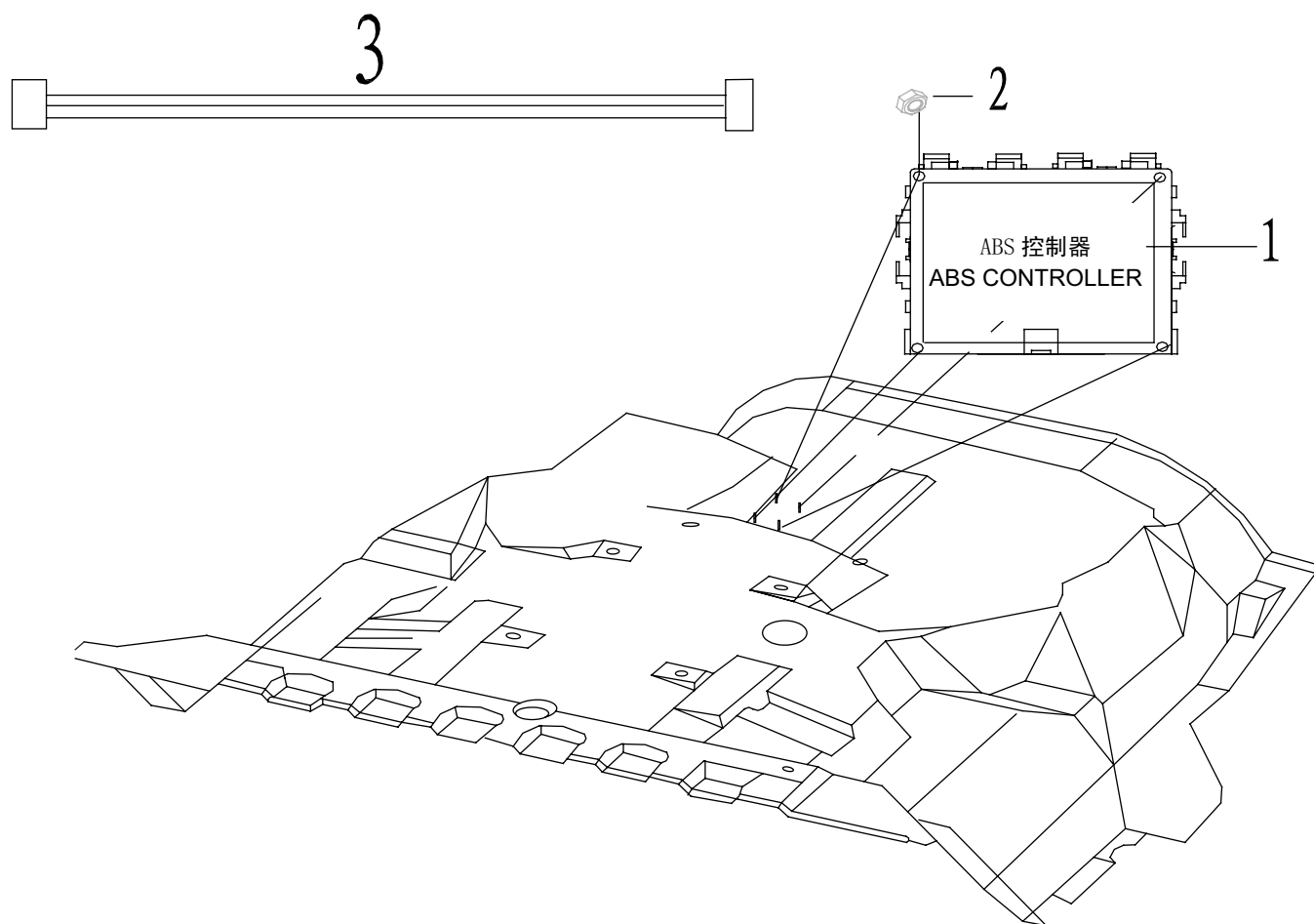
36-G



序号 No.	件号 Part No.	数量 Quantity	名称 Name	规格 Specification	适用产品 Products Applied	备注 Remark
7	35ADQ-50040		ABS 车架线束 ABS Frame Wire Harness		双桥牵引车系列 (斯太尔、三菱、五十铃) Double Axle Tractor Series (STEYR, MITSUBISHI, ISUZU)	
	35ADQ-50045		ABS 车架线束 (单桥) ABS Frame Wire Harness (Single Axle)		单桥牵引车系列 (斯太尔、三菱、五十铃) Single Axle Tractor Series (STEYR, MITSUBISHI, ISUZU)	
	35ADQ-50041		ABS 车架线束 (4700) ABS Frame Wire Harness (4700)		4700 货车系列 (斯太尔、三菱、五十铃) 4700 Truck Series (STEYR, MITSUBISHI, ISUZU)	
	35ADQ-50042		ABS 车架线束 (5600) ABS Frame Wire Harness (5600)		5600 货车系列 (斯太尔、三菱、五十铃) 5600 Truck Series (STEYR, MITSUBISHI, ISUZU)	

ABS 控制器 (斯太尔发动机系列) / ABS CONTROLLER (STEYR ENGINE SERIES)

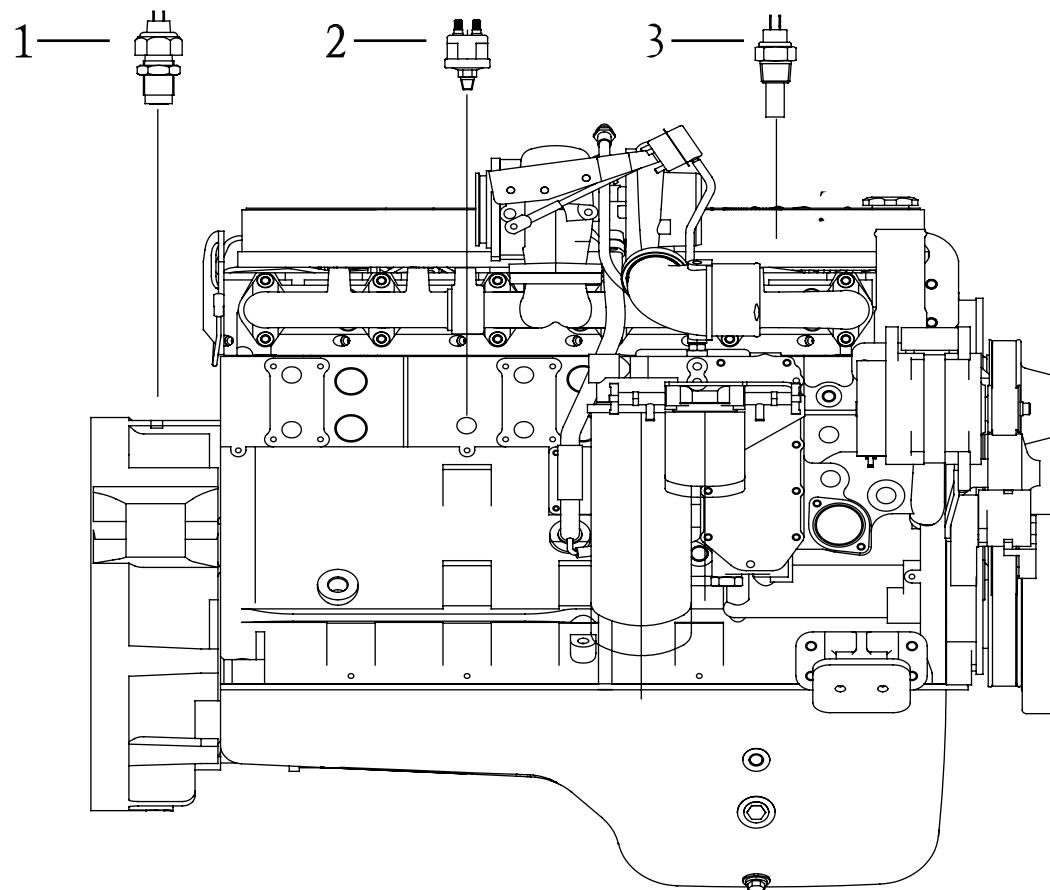
36-H



序号 No.	件号 Part No.	数量 Quantity	名称 Name	规格 Specification	适用产品 Products Applied	备注 Remark
1	35ADQ-50020	1	ABS 控制器 ABS Controller			
2	Q340B06	4	I 型六角螺母 Hexagon Full Nut			
3	35ADQ-50030		ABS 驾驶室线束 ABS Cab Wire Harness		6×4 牵引车系列 (斯太尔、三菱、五十铃) 6×4 Tractor Series (STEYR,MITSUBISHI,ISUZU)	
	35A4DP4-50030		ABS 驾驶室线束 (康明斯四桥) ABS Cab Wire Harness (CUMMINS 4-Axle)			

车速传感器、机油压力传感器、水温传感器
SPEED SENSOR, OIL PRESSURE SENSOR, WATER TEMPERATURE SENSOR

36-1



序号 No.	件号 Part No.	数量 Quantity	名称 Name	规格 Specification	适用产品 Products Applied	备注 Remark
1	36A12D1-10030	1	转速传感器 RPM Sensor		玉柴发动机系列 YUCHAI Engine Series	
	36A16D-10030	1	转速传感器 (日野) RPM Sensor (HINO)		日野发动机系列 HINO Engine Series	
	36A22D-10030	1	转速传感器 (M11) RPM Sensor (M11)		M11 发动机系列 M11 Engine Series	
2	36A12D1-10040	1	机油压力传感器 Oil Pressure Sensor		玉柴发动机系列 YUCHAI Engine Series	
	36A52D-10040	1	机油压力传感器 (卡特) Oil Pressure Sensor (CATER)		卡特发动机系列 CATER Engine Series	
	36A16D-10040	1	机油压力传感器 (日野) Oil Pressure Sensor (HINO)		日野发动机系列 HINO Engine Series	
	36A22D-10040	1	机油压力传感器 (M11) Oil Pressure Sensor (M11)		M11 发动机系列 M11 Engine Series	
3	36A12D1-10060	1	水温传感器 Water Temperature Sensor		玉柴发动机系列 YUCHAI Engine Series	
	36A52D-10060	1	水温传感器 (卡特) Water Temperature Sensor (CATER)		卡特发动机系列 CATER Engine Series	
	36A16D-10060	1	水温传感器 (日野) Water Temperature Sensor (HINO)		日野发动机系列 HINO Engine Series	
	36A22D-10060	1	水温传感器 (M11) Water Temperature Sensor (M11)		M11 发动机系列 M11 Engine Series	

37

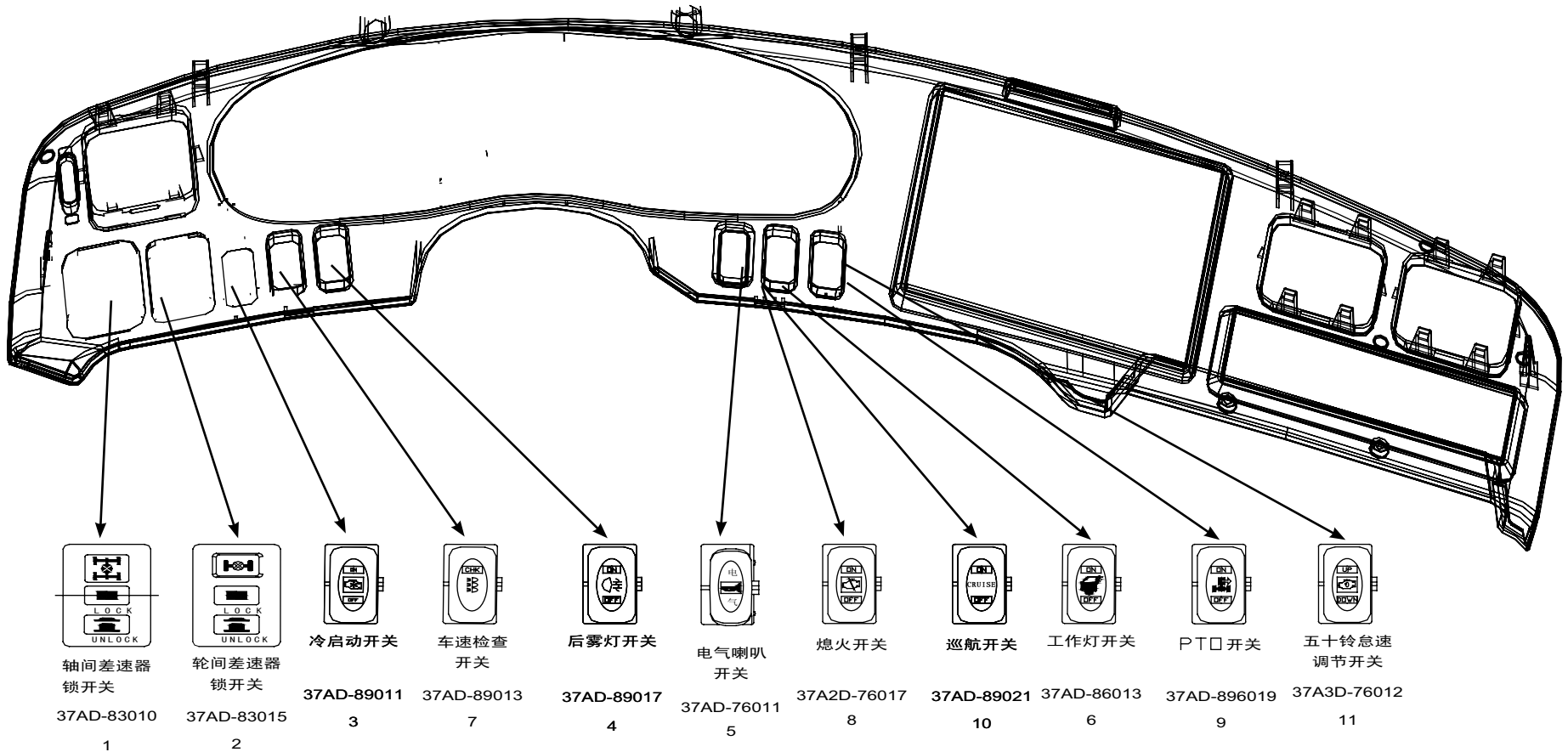
电气设备系统

ELECTRIC

EQUIPMENT SYSTEM

翘板开关装置图 I / PADDLE SWITCH I

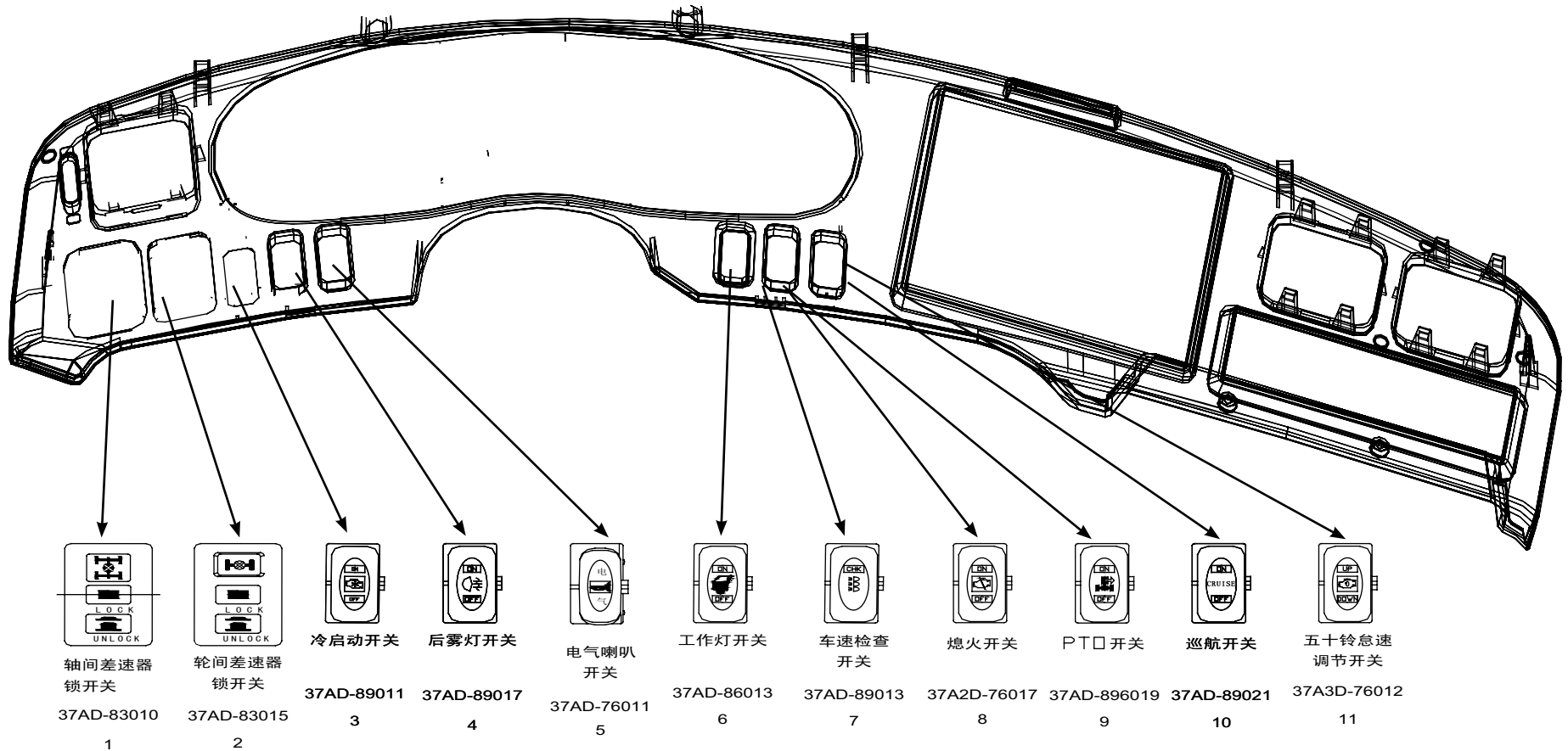
37-A



序号 No.	件号 Part No.	数量 Quantity	名称 Name	规格 Specification	适用产品 Products Applied	备注 Remark
1	37AD-83010	1	轴间差速器锁开关 Interaxial Differential Lock Switch			
2	37AD-83015	1	轮间差速器锁开关 Differential Lock Switch			
3	37AD-89011	1	冷启动开关 Cold Starting Switch			
4	37AD-89017	1	后雾灯开关 Rear Fog Light Switch			
5	37AD-76011	1	电器喇叭开关 Electric Horn Switch			
6	37AD-86013	1	工作灯开关 Working Light Switch			
7	37AD-89013	1	车速检查开关 Speed Inspection Switch			
8	37A2D-76017	1	熄火开关 Engine Stop Switch		斯太尔发动机 STEYR Engine	
9	37AD-89019	1	PTO 开关 PTO Switch		自卸车 Dump Truck	
10	37AD-89021	1	巡航开关 Cruise Switch		卡特发动机系列车型 CATER Engine Series	
11	37A3D-76012	1	五十铃怠速调节开关 ISUZU Idle Adjusting Switch		五十铃、卡特发动机系列车型 ISUZU,CATER Engine Series	
	37AD-68010	1	发动机转速调整开关 Engine Speed Adjusting Switch		三菱发动机车型 MITSUBISHI Engine Model	
	S894701051A	1	怠速调节器(日野) Idle Adjuster (HINO)		日野欧III发动机车型 HINO Euro III Engine Model	
	S784032020A	1	怠速调节旋钮(日野) Idle Adjusting Turn-Button(HINO)		日野欧III发动机车型 HINO Euro III Engine Model	

翘板开关装置图 II / PADDLE SWITCH II

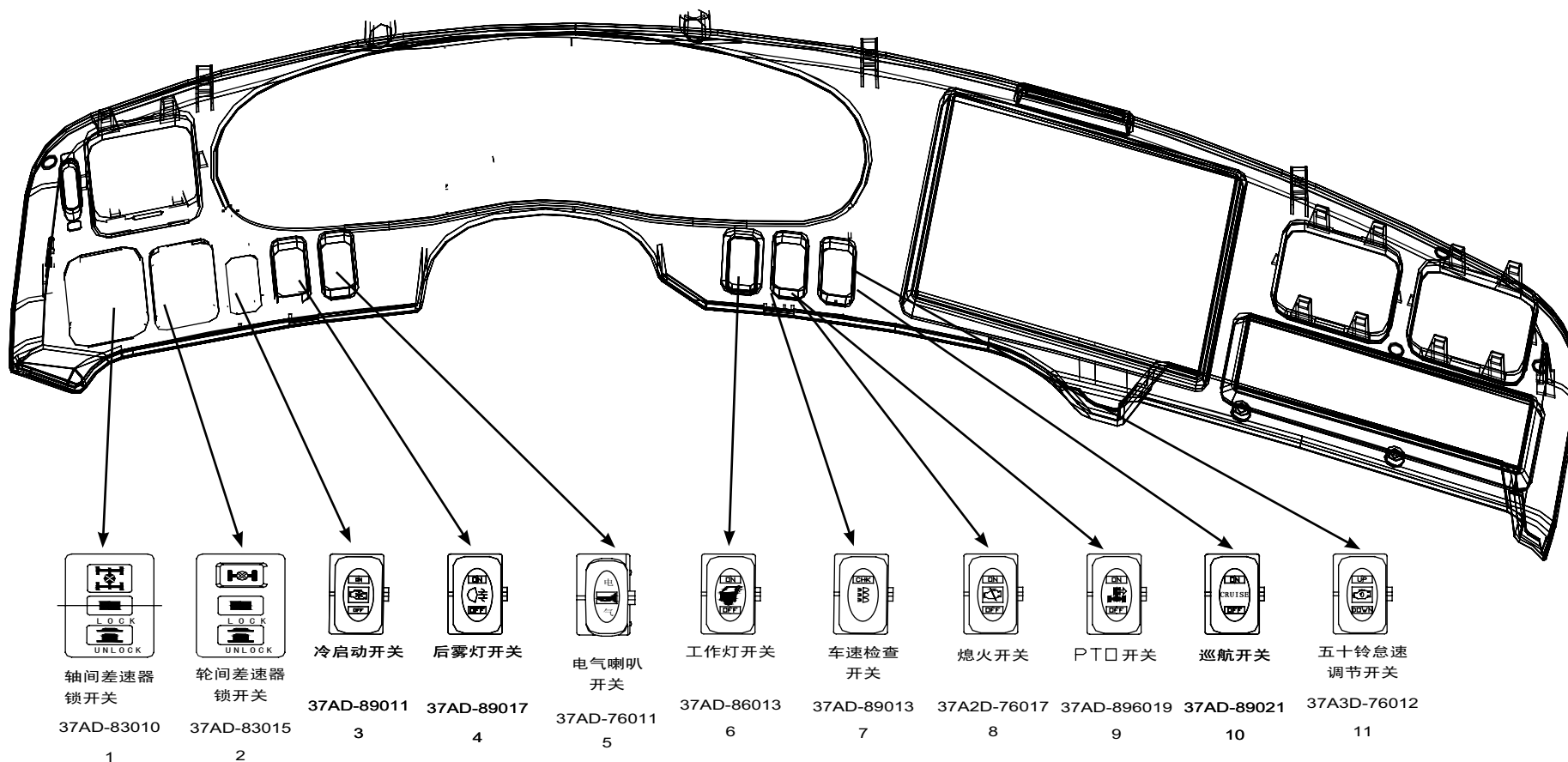
37-B



序号 No.	件号 Part No.	数量 Quantity	名称 Name	规格 Specification	适用产品 Products Applied	备注 Remark
1	37AD-83010	1	轴间差速器锁开关 Interaxial Differential Lock Switch			
2	37AD-83015	1	轮间差速器锁开关 Differential Lock Switch			
3	37AD-89011	1	冷启动开关 Cold Starting Switch			
	37AH93D-89011	1	冷启动开关 Cold Starting Switch		三菱欧III MITSUBISHI Euro III	
	37AD-89027	1	燃油加热开关 Fuel Heating Switch		出口俄罗斯 WD12 出口越南 6D24 Export Russia WD12 Export Vietnam 6D24	
4	37AD-89025	1	快怠速开关 Fast Idle Switch		卡特 C9-350HP 发动机系列车型 CATER C9-350HP Engine Series Model	
	37AH93D-76017	1	发动机紧急停止开关 Engine Emergency Stop Switch		三菱发动机系列车型 MITSUBISHI Engine Series Model	
	37AD-89028	1	燃油加热档位开关 Fuel Heating Gear Position Switch		出口俄罗斯 WD12 出口越南 6D24 Export Russia WD12 Export Vietnam 6D24	
5	37AD-89023	1	PTO 调节开关 PTO Adjusting Switch		卡特发动机系列车型 CATER Engine Series Model	
6	37AD-76011	1	电气喇叭开关 Electric Horn Switch			
7	37A2D-76017	1	熄火开关 Engine Stop Switch		斯太尔发动机 STEYR Engine	
8	37AD-89021	1	巡航开关 Cruise Switch		卡特发动机系列车型 CATER Engine Series Model	
9	37AD-86013	1	工作灯开关 Working Light Switch			
10	37AD-89019	1	PTO 开关 PTO Switch		自卸车 Dump Truck	

翘板开关装置图 II / PADDLE SWITCH II

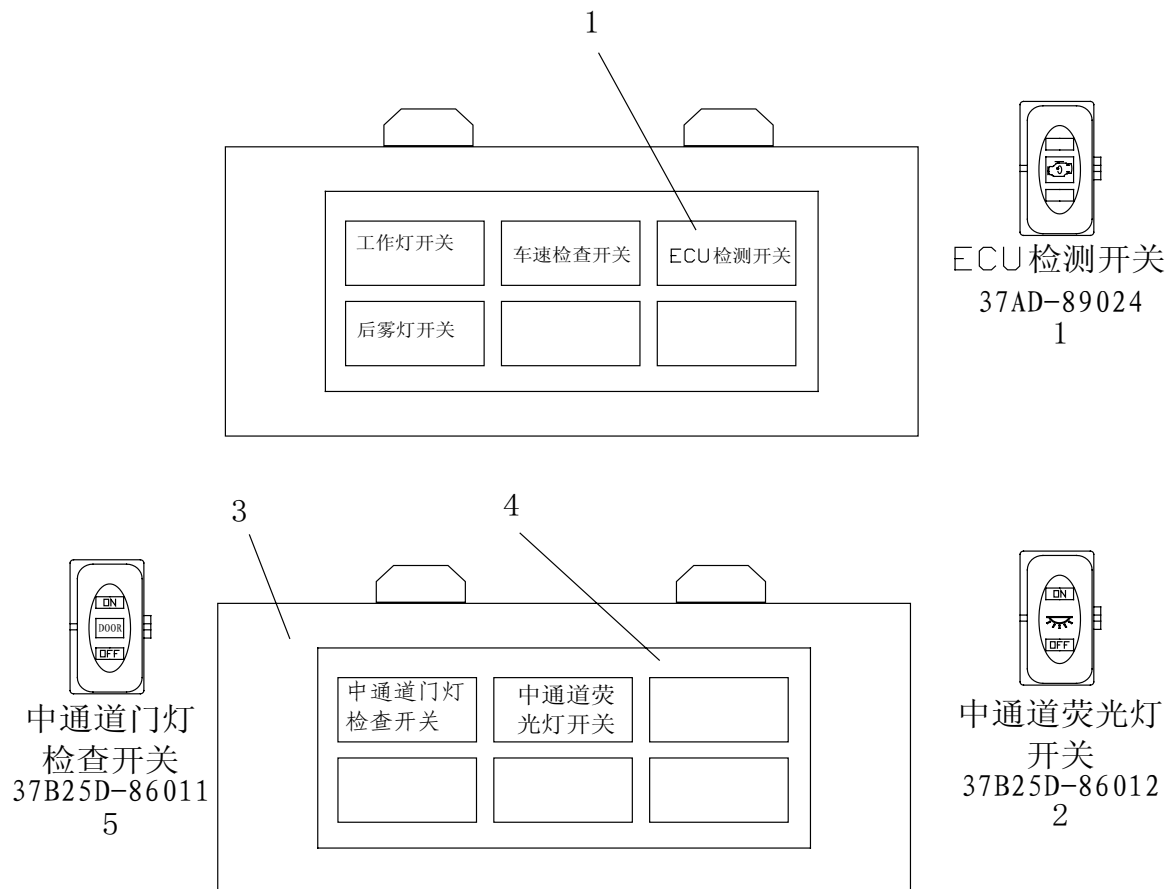
37-B



序号 No.	件号 Part No.	数量 Quantity	名称 Name	规格 Specification	适用产品 Products Applied	备注 Remark
11	37A3D-76012	1	五十铃怠速调节开关 ISUZU Idle Adjusting Switch		五十铃、卡特发动机系列车型 ISUZU,CATER Engine Series Model	
	37AD-68010	1	发动机转速调整开关 Engine Speed Adjusting Switch		三菱发动机车型 MITSUBISHI Engine Model	
	S894701051A	1	怠速调节器（日野） Idle Adjuster (HINO)		日野欧III发动机车型 HINO Euro III Engine Model	
	S784032020A	1	怠速调节旋钮（日野） Idle Adjusting Turn-Button (HINO)		日野欧III发动机车型 HINO Euro III Engine Model	

翘板开关装置图III / PADDLE SWITCH III

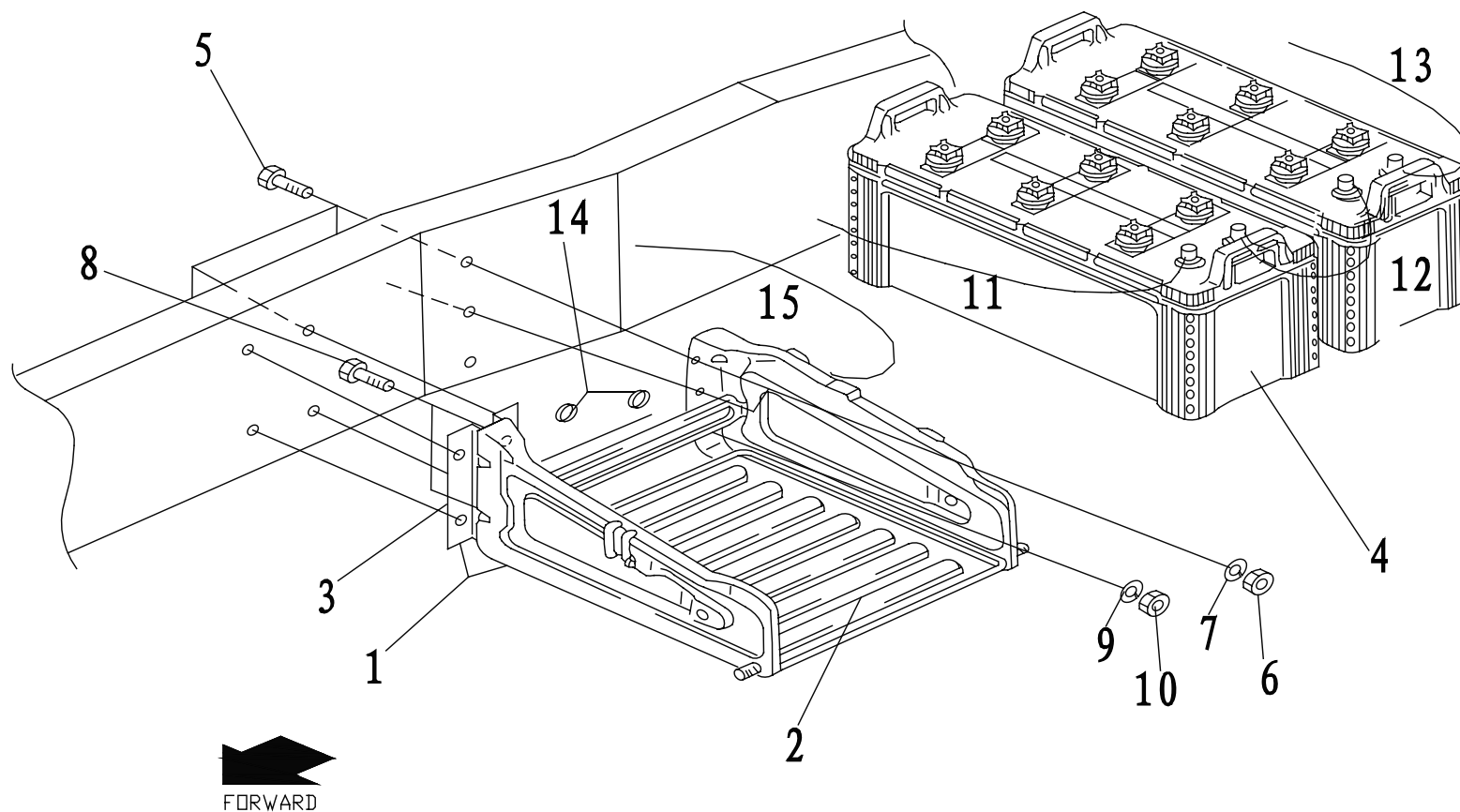
37-C



序号 No.	件号 Part No.	数量 Quantity	名称 Name	规格 Specification	适用产品 Products Applied	备注 Remark
1	37AD-89024	1	ECU 检测开关 ECU Detecting Switch		卡特发动机系列车型 CATER Engine Series	
2	37B25D-86011	1	中通道荧光灯开关 Middle Passage Fluorescent Lamp Switch		窄体车型 Narrow Cab Model	
3	37AD-76020	1	中通道翘板开关外饰板 Middle Passage Paddle Switch Outer Panel			
4	37AD-76021	1	中通道翘板开关底座 Middle Passage Paddle Switch Base			
5	37B25D-86012	1	中通道门灯检查开关 Middle Passage Door Light Inspection Switch		窄体车型 Narrow Cab Model	

蓄电池框装置图 / BATTERY FRAME

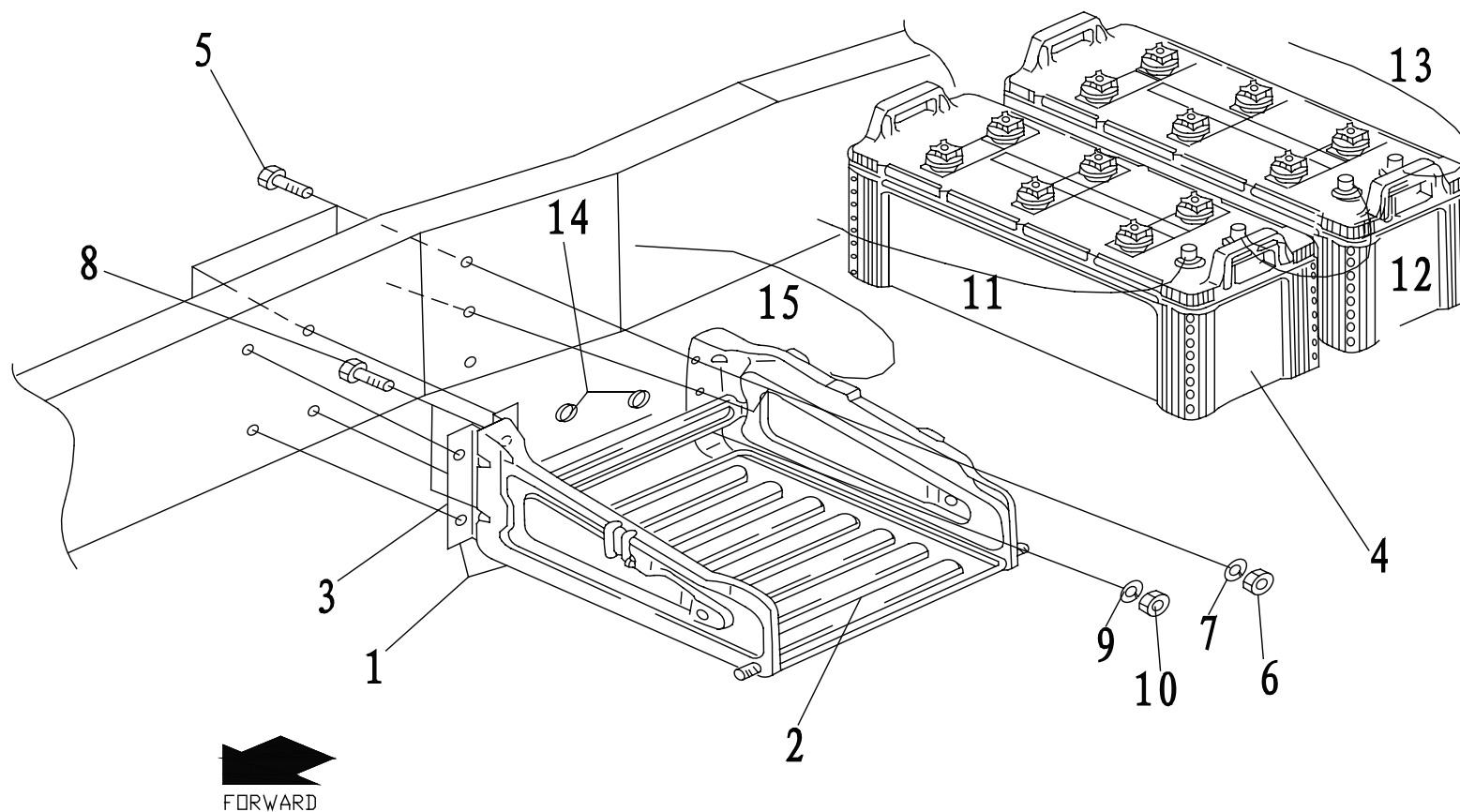
37-D



序号 No.	件号 Part No.	数量 Quantity	名称 Name	规格 Specification	适用产品 Products Applied	备注 Remark
1	37AD-03050	1	蓄电池框总成 Battery Frame Assembly			
	37AD-03250	1	蓄电池框总成 -2 Battery Frame Assembly-2			
2	37AD-03052	1	蓄电池框体 Battery Frame			
	37AD-03252	1	蓄电池框体 -2 Battery Frame-2			
3	37ADQ-03070	1	蓄电池框左侧支架 Battery Frame Bracket LH			
4	37AD-03001	2	蓄电池 Battery			
	37AD-03101	2	蓄电池 -2 Battery-2			
	37AD-03201	2	蓄电池 -2 Battery-2			
5	Q150B1240	6	六角头螺栓 Hexagon Head Bolt			
6	Q340B12	6	I 型六角螺母 Hexagon Full Nut			
7	Q40512	9	弹簧垫圈 Spring Washer			
8	Q150B1225	3	六角头螺栓 Hexagon Head Bolt			
9	Q40514	1	弹簧垫圈 Spring Washer			
10	Q340B14	1	I 型六角螺母 Hexagon Full Nut			

蓄电池框装置图 / BATTERY FRAME

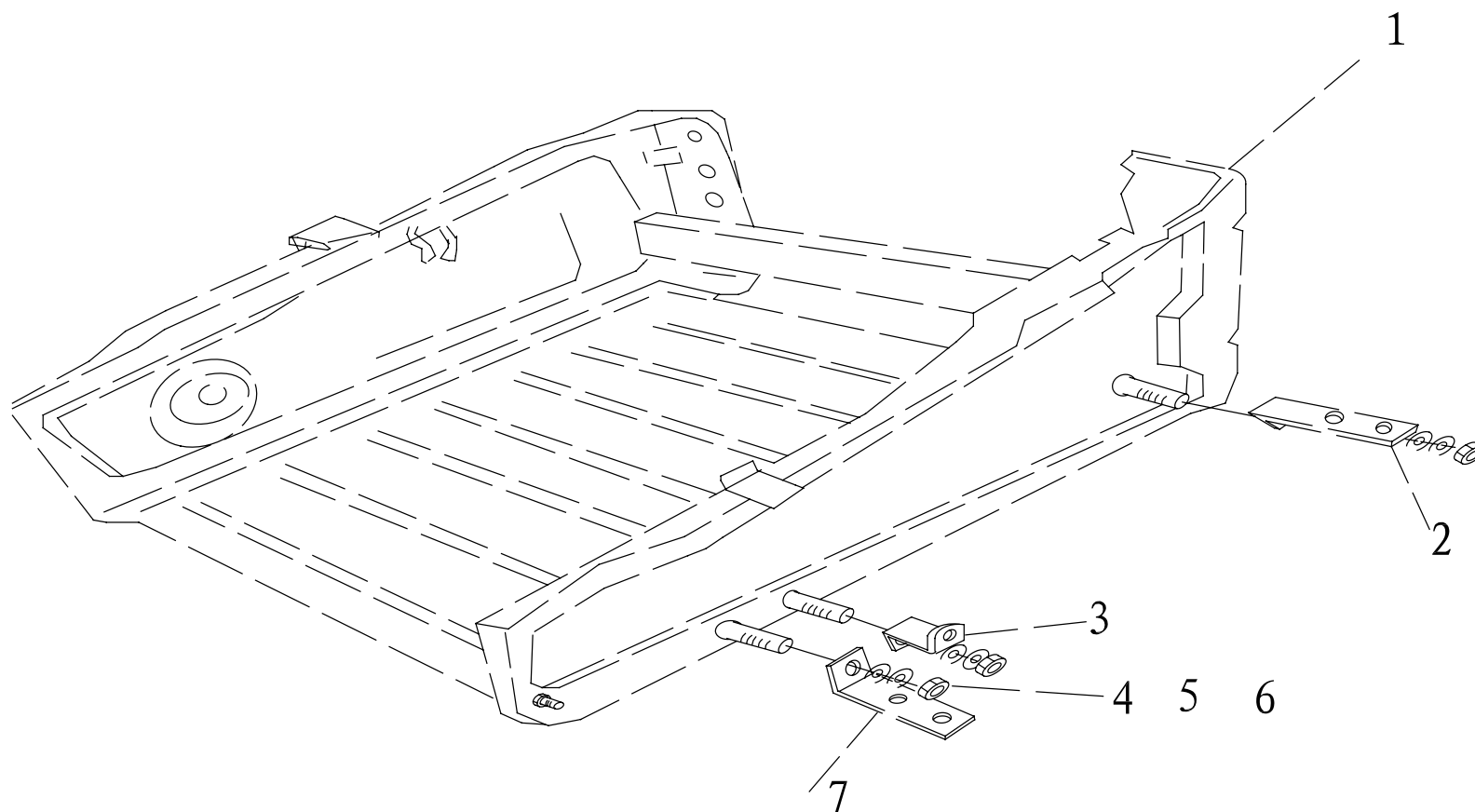
37-D



序号 No.	件号 Part No.	数量 Quantity	名称 Name	规格 Specification	适用产品 Products Applied	备注 Remark
11	37AD-03020	1	电瓶负极搭铁电缆 Battery Negative Ground Cable			
	37AHD-03020	1	AH 蓄电池负极电缆 AH Battery Negative Cable			
12	37AD-03010	1	电瓶跨接电缆 Battery Crossover Cable			
	37AHD-03010	1	AH 蓄电池跨接电缆 AH Battery Crossover Cable			
13	37AD-03030	1	蓄电池正极电缆 Battery Positive Cable			
	37AHD-03030	1	AH 蓄电池正极电缆 AH Battery Positive Cable			
14	37AHD-24301	2	电瓶框橡胶护圈 Battery Frame Rubber Retainer Ring			
15	37AHD-03025	1	AH 蓄电池搭铁电缆 AH Battery Ground Cable			
16	37AD-85020	1	电源总开关 Power Supply Main Switch			

蓄电池框支架图 / BATTERY FRAME BRACKET

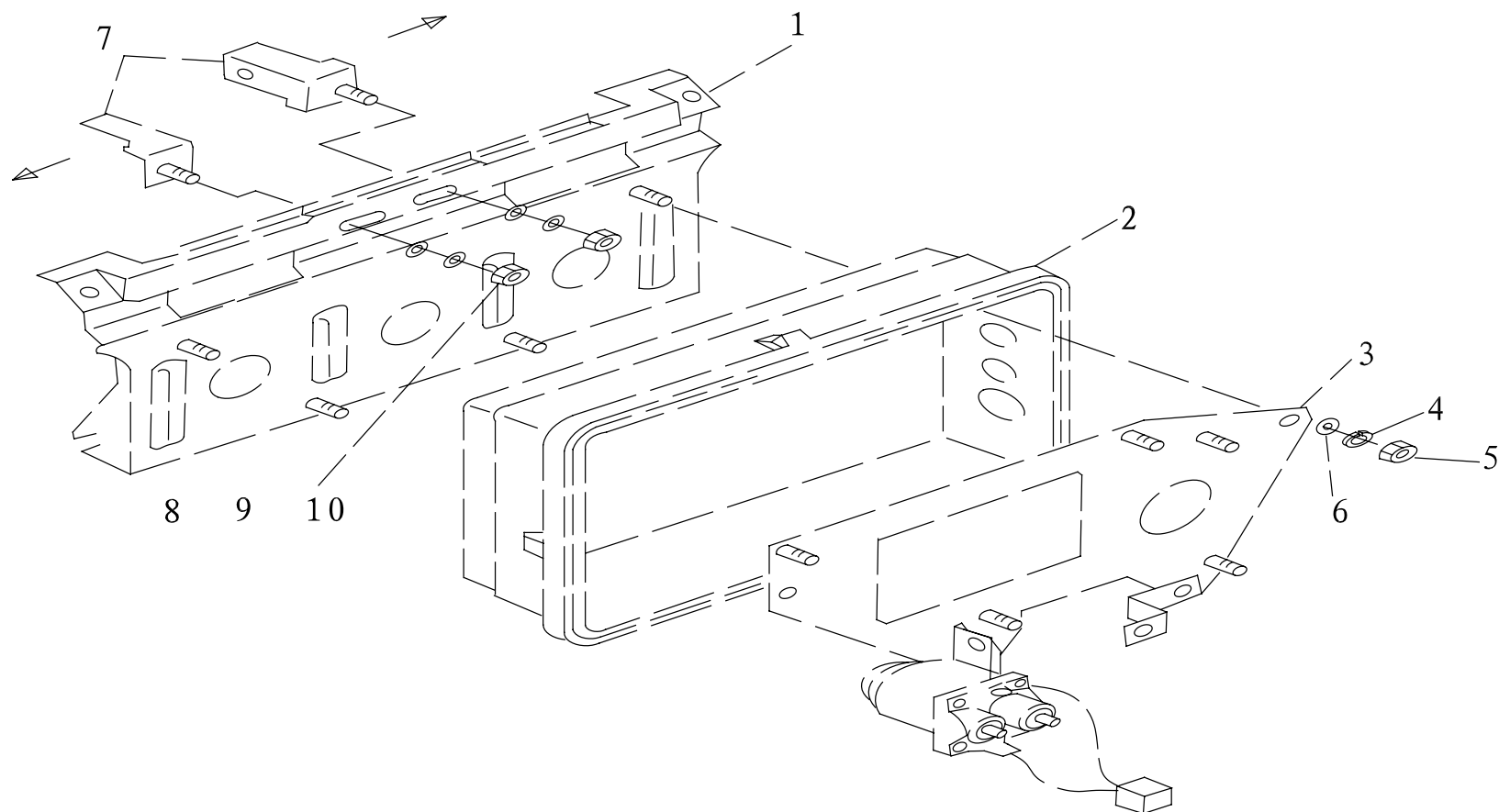
37-E



序号 No.	件号 Part No.	数量 Quantity	名称 Name	规格 Specification	适用产品 Products Applied	备注 Remark
1	37AD-03052	1	蓄电池框体 Battery Frame			
2	37AD-34003	1	支架 Bracket			
3	37AD-34011	1	支架 Bracket			
4	Q40208	3	大垫圈 Big Washer			
5	Q40308	3	弹簧垫圈 Spring Washer			
6	Q340B08	3	I型六角螺母 Hexagon Full Nut			
7	37AD-34007	1	支架 Bracket			

蓄电池框挡板装置图 / BATTERY FRAME BAFFLE

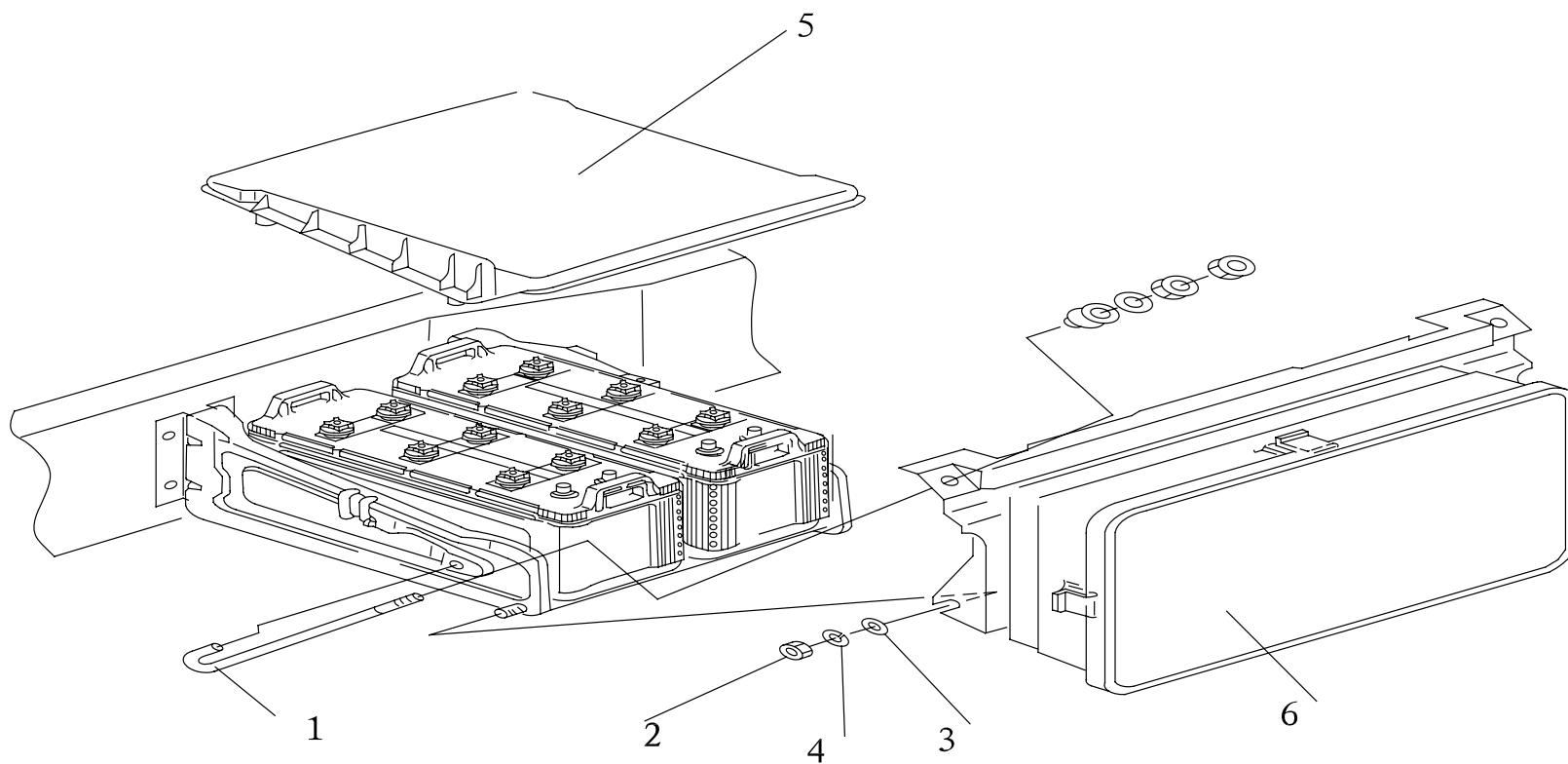
37-F



序号 No.	件号 Part No.	数量 Quantity	名称 Name	规格 Specification	适用产品 Products Applied	备注 Remark
1	37AD-03055	1	蓄电池框前挡板总成 Battery Frame Front Baffle Assembl			
2	37AD-22022	1	大电流保险丝盒箱体 High Current Fuse Box Body			
3	37AD-22026	1	大电流保险丝底座安装支架 High Current Fuse Base Installation Bracket			
4	Q40308	4	I 型六角螺母 Hexagon Full Nut			
5	Q340B08	4	弹簧垫圈 Spring Washer			
6	Q40108	4	平垫圈 Plate Washer			
7	37AD-03065	2	蓄电池限位小支架 Battery Limiting Small Bracket			
8	Q40308	2	弹簧垫圈 Spring Washer			
9	Q340B08	2	I 型六角螺母 Hexagon Full Nut			
10	Q40108	2	平垫圈 Plate Washer			

大电流保险丝盒装置图 / HIGH CURRENT FUSE BOX

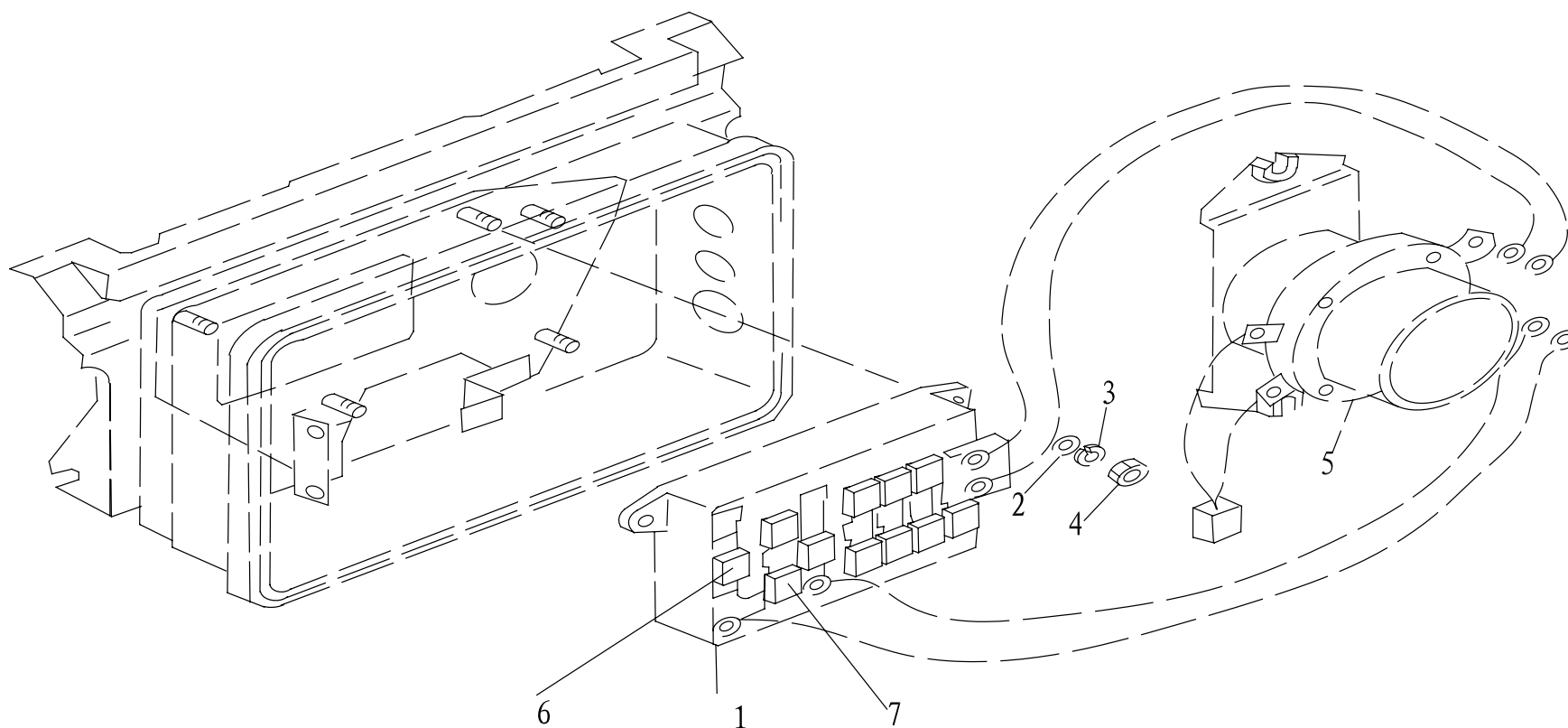
37-G



序号 No.	件号 Part No.	数量 Quantity	名称 Name	规格 Specification	适用产品 Products Applied	备注 Remark
1	37AD-03060	2	蓄电池框前挡板固定拉杆总成 Battery Frame Front Baffle Holding Lever Assembly			
2	Q340B08	2	I型六角螺母 Hexagon Full Nut			
3	Q40308	2	弹簧垫圈 Spring Washer			
4	Q40108	2	平垫圈 Plate Washer			
5	37AD-03051	1	蓄电池罩盖 Battery Cover			
	37AD-03151	1	蓄电池框金属罩盖 Battery Frame Metal Cover			
	37AD-03251	1	蓄电池框罩盖 -2 Battery Frame Cover-2			
6	37AD-22020	1	大电流保险丝盒总成 High Current Fuse Box Assembly			

大电流保险丝盒座 / HIGH CURRENT FUSE BOX BASE

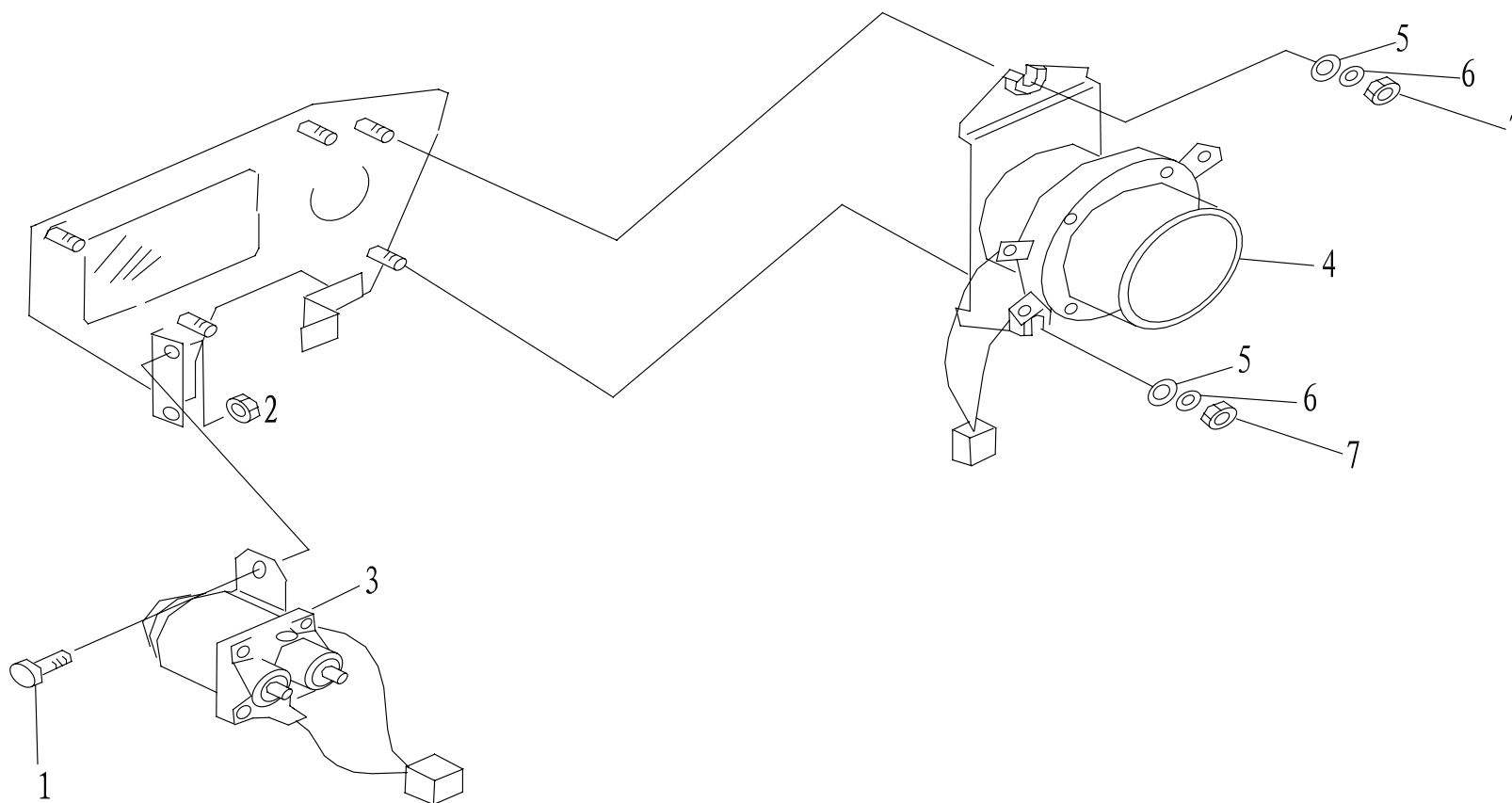
37-H



序号 No.	件号 Part No.	数量 Quantity	名称 Name	规格 Specification	适用产品 Products Applied	备注 Remark
1	37AD-22024	1	大电流保险丝底座总成 High Current Fuse Base Assembly			
2	Q40108	3	平垫圈 Plate Washer			
3	Q40308	3	弹簧垫圈 Spring Washer			
4	Q340B08	3	I 型六角螺母 Hexagon Full Nut			
5	37AD-35010	1	主电源继电器 Primary Power Supply Relay			
	S844901230A	1	主电源继电器 (日野) Primary Power Supply Relay (HINO)		日野欧III发动机车型 HINO Euro III Engine Model	
6	37AD-22028	1	100A 保险丝 100A Fuse			
7	37AD-22027	10	50A 保险丝 50A Fuse			
8	37AH44D-35011	1	主电源继电器控制线 Primary Power Supply Relay Control line		日野欧III HINO Euro III	

主电源继电器，起动继电器装置图
PRIMARY POWER SUPPLY RELAY, STARTER RELAY

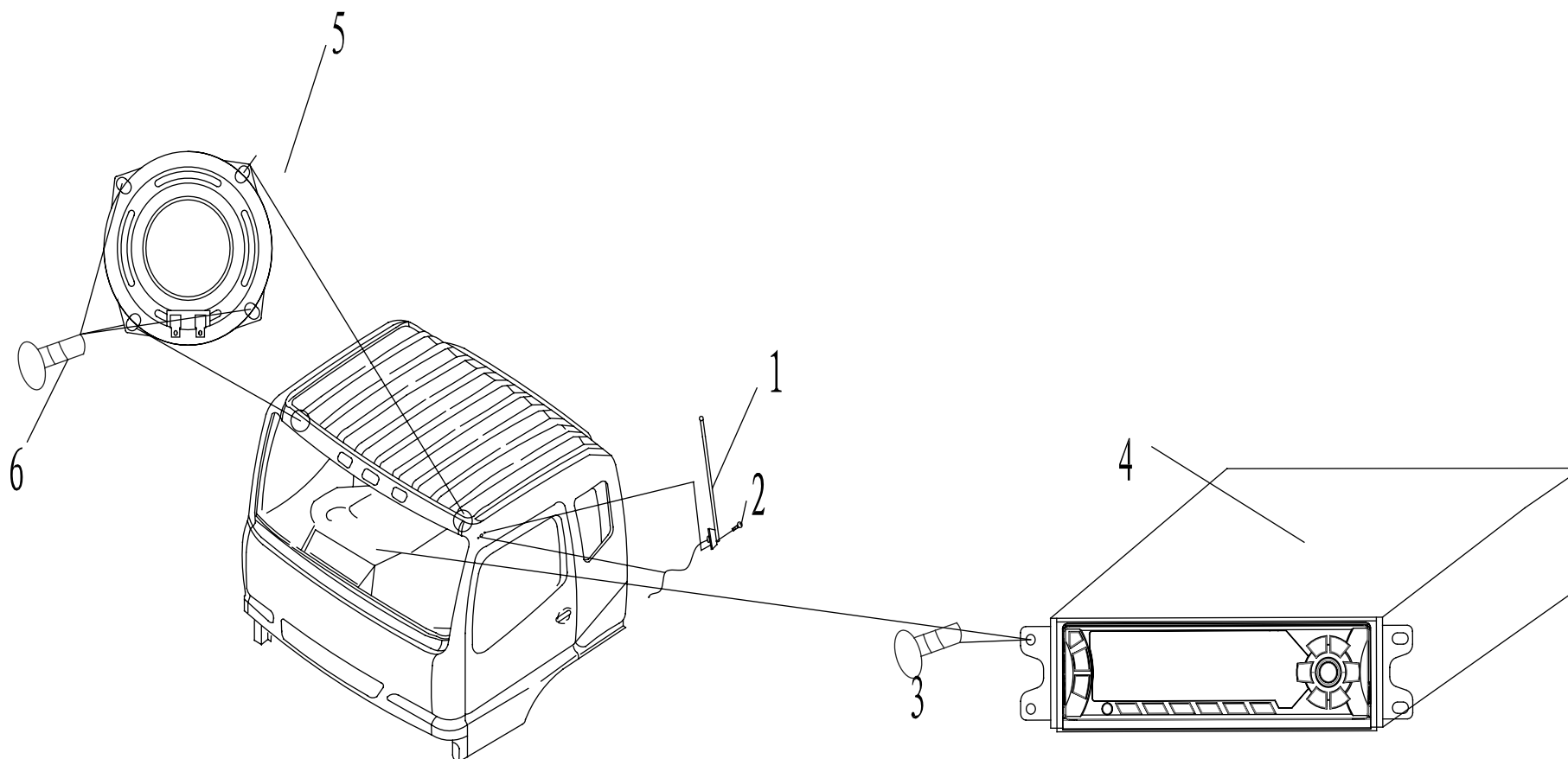
37-1



序号 No.	件号 Part No.	数量 Quantity	名称 Name	规格 Specification	适用产品 Products Applied	备注 Remark
1	Q1460616	2	六角头螺栓弹簧垫圈和平垫圈组合件 Hexagon Head Combination Bolt W/Spring And Plate Washer			
2	Q340B06	2	I 型六角螺母 Hexagon Full Nut			
3	37AD-35030	1	起动机继电器 Starter Relay			
4	37AD-35010	1	主电源继电器 Primary Power Supply Relay			
5	Q40108	2	平垫圈 Plate Washer			
6	Q40308	2	弹簧垫圈 Spring Washer			
7	Q340B08	2	I 型六角螺母 Hexagon Full Nut			

音响总成 / AUDIO ASSEMBLY

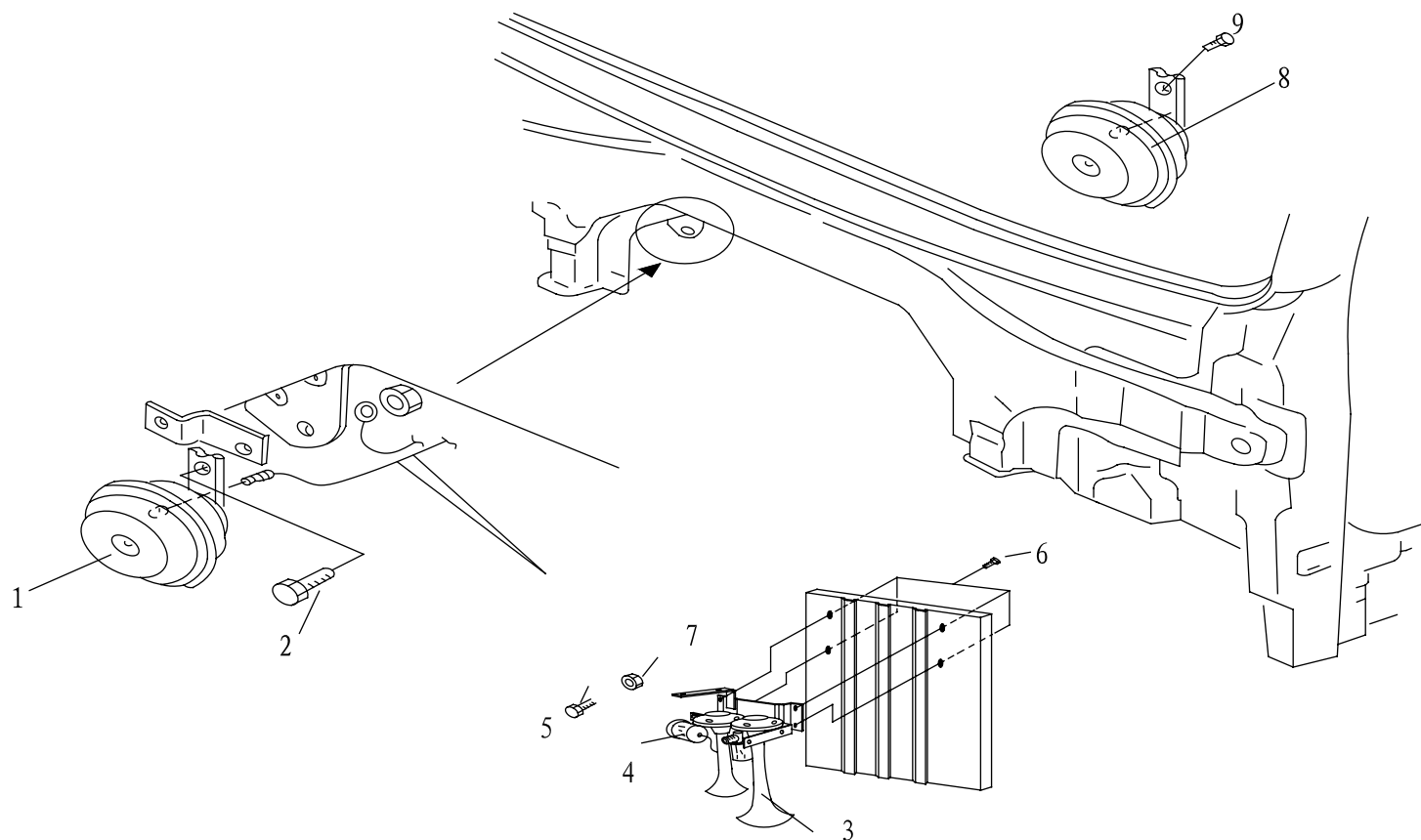
37-J



序号 No.	件号 Part No.	数量 Quantity	名称 Name	规格 Specification	适用产品 Products Applied	备注 Remark
1	37AD-65014	1	收音机天线 Radio Antenna	2000MM	平顶车 Flat Roof Vehicle	
	37GD-65014	1	收音机天线 Radio Antenna	2250MM	高顶车 High Roof Vehicle	
2	Q2140520	2	十字槽盘头螺钉 (天线自带) Cross Recessed Pan Head Screw (Included In Antenna)			
3	Q2360412	4	十字槽盘头螺钉、弹簧垫圈和平垫圈组合件 Cross Recessed Pan Head Screw W/Spring And Plate Washer			
4	37AD-65010	1	CD 机 CD Player			选装 Option
	37AD-65070	1	卡带机 Tape Player			
	37AD-65080	1	音响总成 (mp3) Audio Assembly(Mp3)			选装 Option
	37AD-65081	1	U 盘 (mp3) Memory Stick (Mp3)			选装 Option
5	36AD-12010	2	扬声器 Speaker			
6	Q2714816	6	十字槽盘头自攻螺钉 Cross Recessed Pan Head Self-Tapping Screw			

电、气喇叭、蜂鸣器装置 / ELECTRIC HORN, AIR HORN, BUZZER

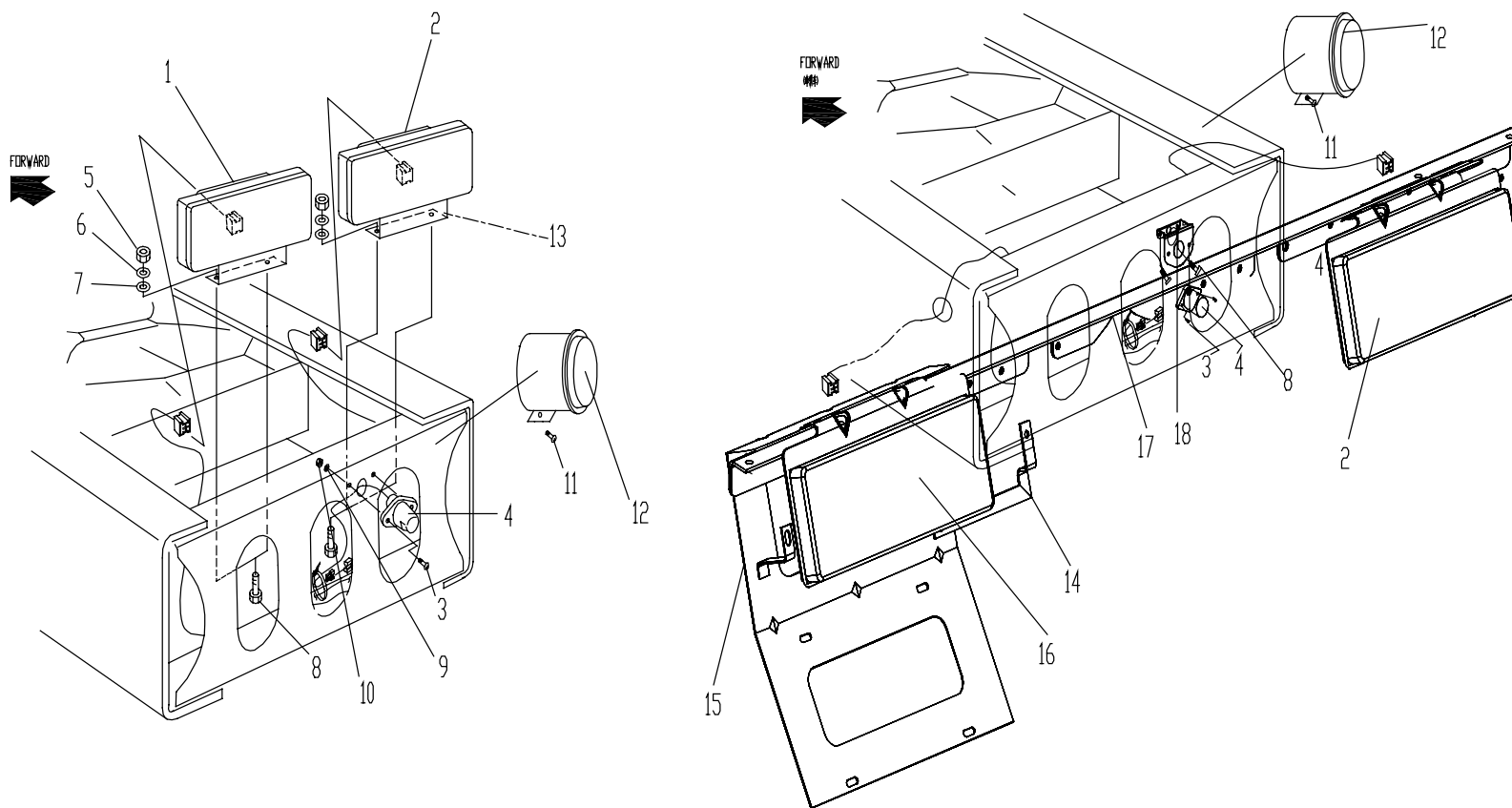
37-K



序号 No.	件号 Part No.	数量 Quantity	名称 Name	规格 Specification	适用产品 Products Applied	备注 Remark
1	37AD-21010	1	电喇叭总成 Electric Horn Assembly			
2	Q1460825	1	六角头螺栓、弹簧垫圈和平垫圈组合件 Hexagon Head Combination Bolt W/Spring And Plate Washer			
3	37AD-21020	1	气喇叭总成 Air Horn Assembly			
4	36AD-11020	1	翻转蜂鸣器 Overturning Buzzer			
5	Q1460820	1	六角头螺栓、弹簧垫圈和平垫圈组合件 Hexagon Head Combination Bolt W/Spring And Plate Washer			
6	Q1460820	5	六角头螺栓、弹簧垫圈和平垫圈组合件 Hexagon Head Combination Bolt W/Spring And Plate Washer			
7	Q340B08	1	I型六角螺母 Hexagon Full Nut			
8	36AD-11030	1	警告蜂鸣器 Warning Buzzer			
9	Q1420616	1	六角头螺栓、弹簧垫圈和平垫圈组合件 Hexagon Head Combination Bolt W/Spring And Plate Washer			

车尾灯，蜂鸣器装置 / TAILLAMP, BUZZER

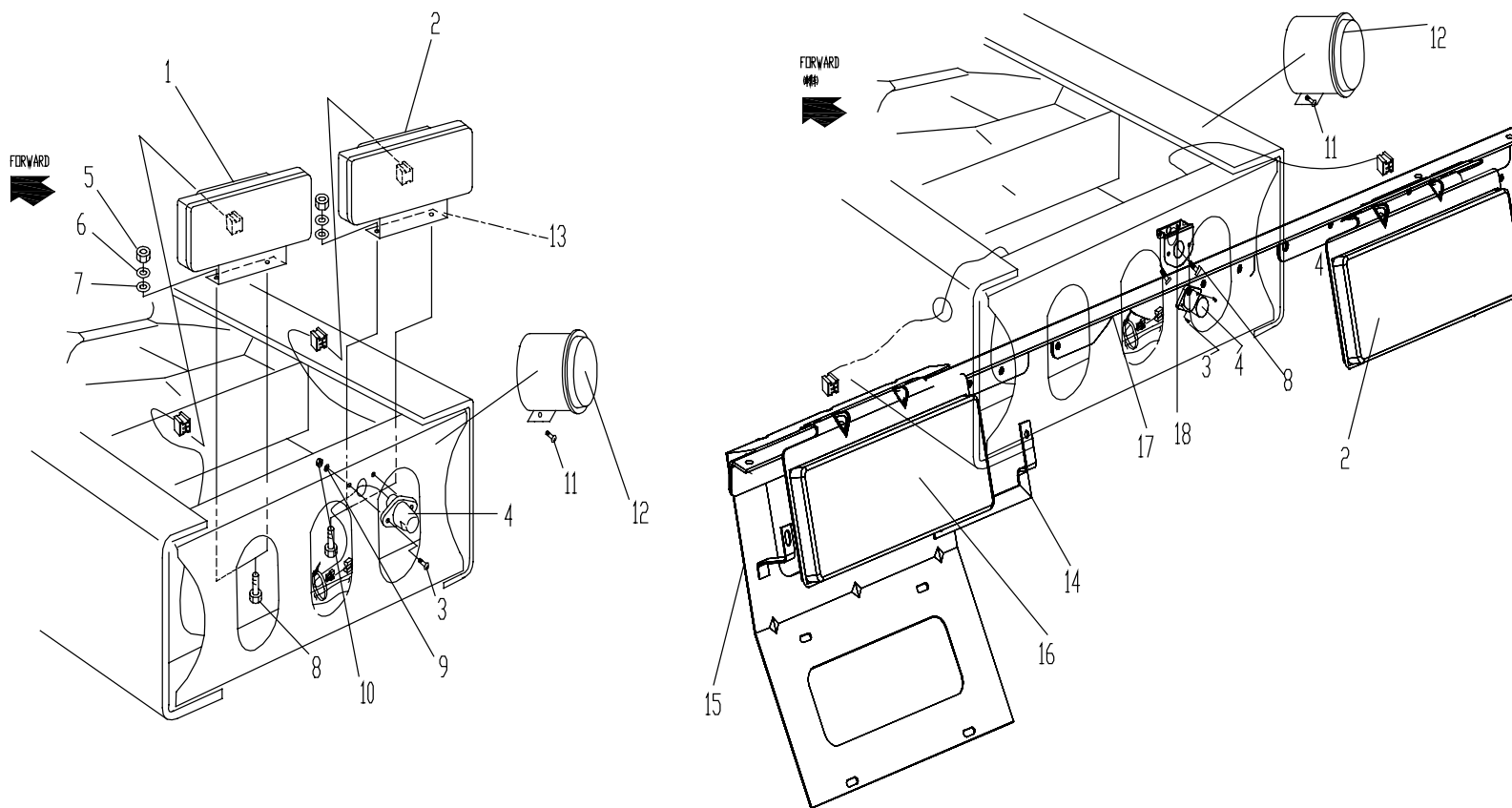
37-L



序号 No.	件号 Part No.	数量 Quantity	名称 Name	规格 Specification	适用产品 Products Applied	备注 Remark
1	37AD-73010	1	左后组合灯总成 Rear Combination Lamp Assembly LH			
2	37AD-73020	1	右后组合灯总成 Rear Combination Lamp Assembly RH			
3	Q2140616	3	十字槽盘头螺钉 (牌照灯自带) Cross Recessed Pan Head Screw (Included In License Plate Light)			
4	37AD-37010	1	牌照灯 License Plate Light			
5	Q340B08	4	I 型六角螺母 Hexagon Full Nut			
6	Q40308	4	弹簧垫圈 Spring Washer			
7	Q40108	4	平垫圈 Plate Washer			
8	Q1460830	6	六角头螺栓弹簧垫圈和平垫圈组合件 Hexagon Head Combination Bolt W/Spring And Plate Washer			
9	Q40106	2	平垫圈 (牌照灯自带) Plate Washer(Included In License Plate Light)			
10	Q1460630	2	六角头螺栓弹簧垫圈和平垫圈组合件 Hexagon Head Combination Bolt W/Spring And Plate Washer			
11	Q2610830	1	六角头自攻锁紧螺钉 Hexagon Self-Tapping Lock Screw			
12	36AD-11010	1	倒车蜂鸣器 Backing Buzzer			
13	37AD-34059	2	后组合灯支架 Rear Combination Lamp Bracket			

车尾灯，蜂鸣器装置 / TAILLAMP, BUZZER

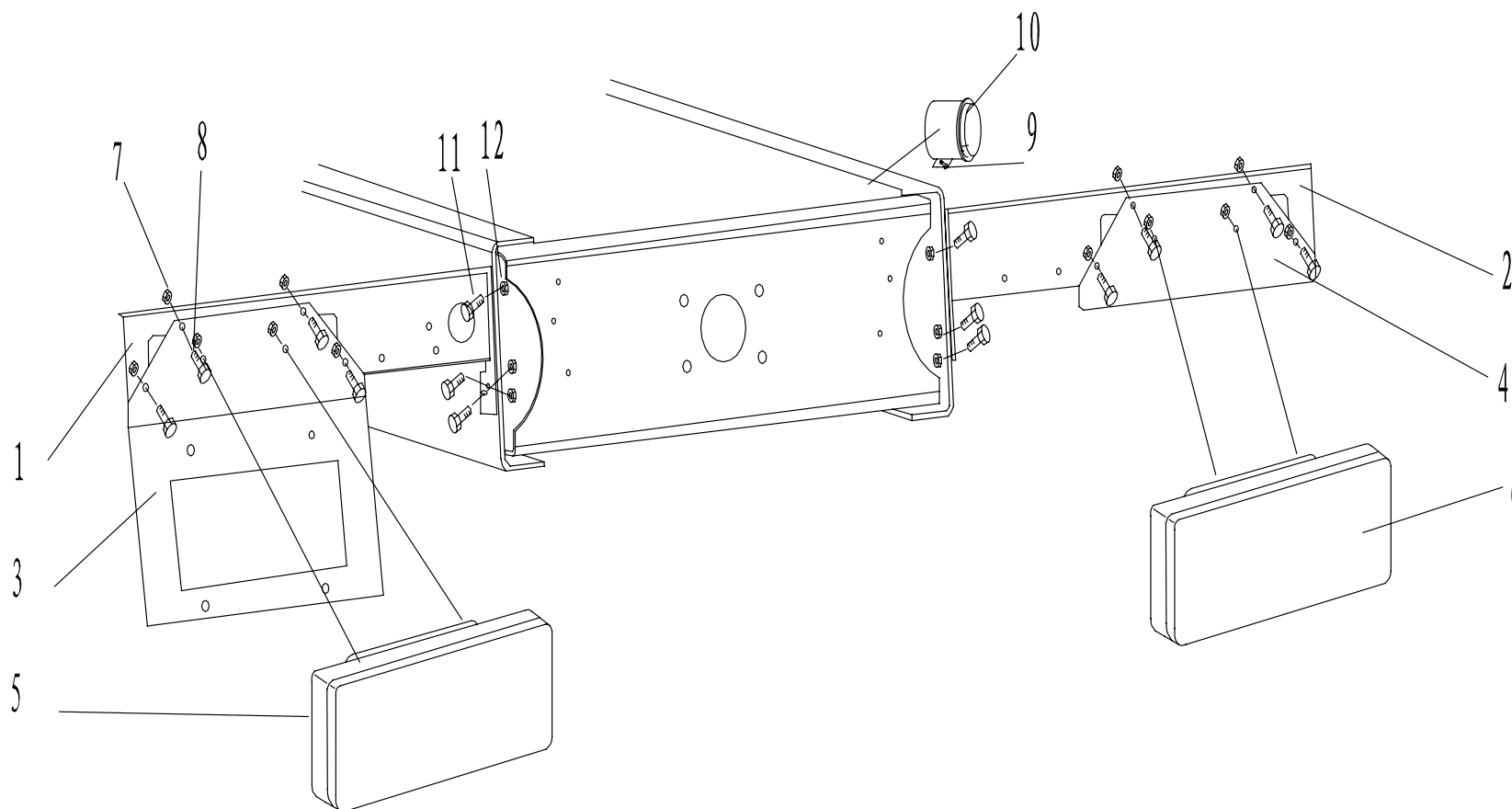
37-L



序号 No.	件号 Part No.	数量 Quantity	名称 Name	规格 Specification	适用产品 Products Applied	备注 Remark
14	37AD-34090	1	支架 Bracket			
15	37AD-34085	1	牌照灯支架 License Plate Light Bracket		牌照灯安装在左侧 License Plate Light Equiped On The Left	
16	37AD-73011	1	左后组合灯总成 (带牌照灯) Rear Combination Lamp Assembly LH (W/License Plate Light)		组合灯带牌照灯 Combination Lamp W/ License Plate Light	
17	37ADQ-34060	1	牵引车尾灯横梁 Tractor Taillamp Beam		牵引车专用 Only For Tractor	
18	37ADQ-34064		牌照灯支架 License Plate Light Bracket		牌照灯安装在中间 License Plate Light Equiped In The Middle	

车尾灯，蜂鸣器装置 / TAILLAMP, BUZZER

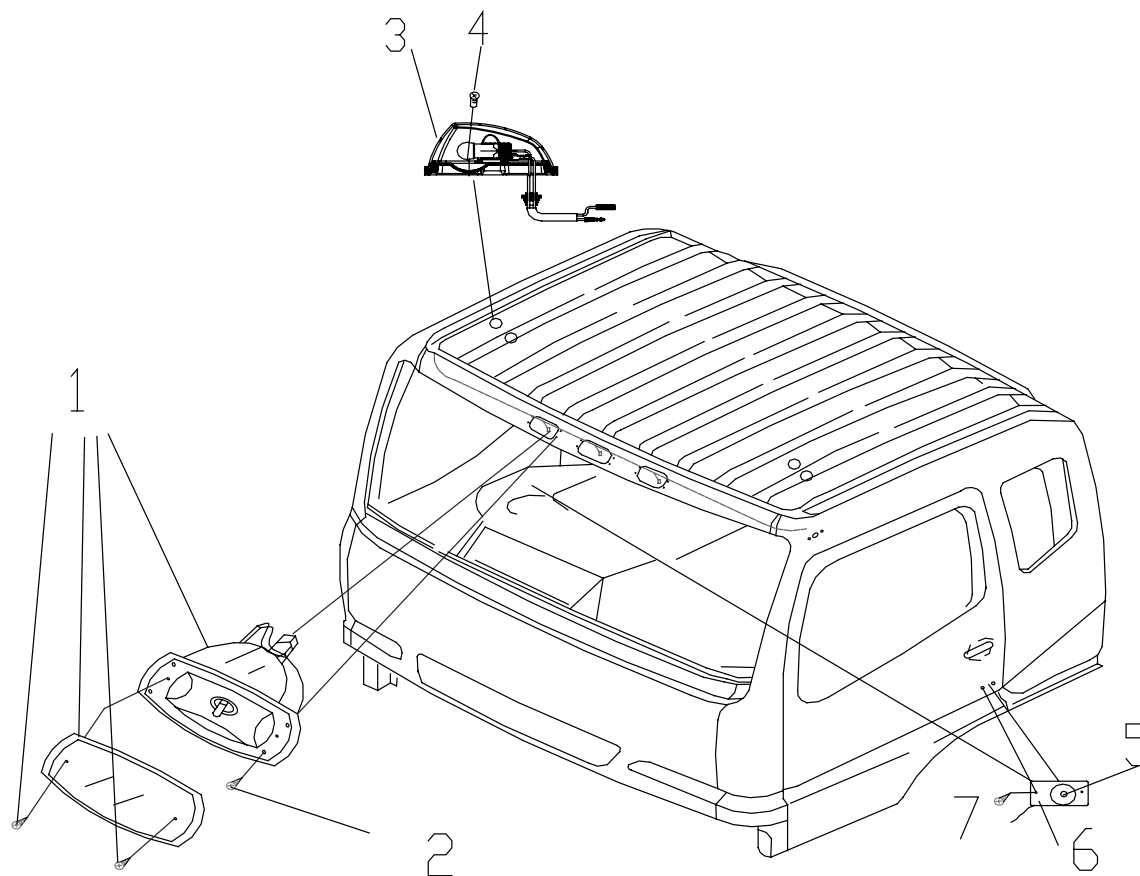
37-M



序号 No.	件号 Part No.	数量 Quantity	名称 Name	规格 Specification	适用产品 Products Applied	备注 Remark
1	37AHD-34004	1	尾灯横梁（左）总成 Taillamp Beam Assembly LH			
2	37AHD-34006	1	尾灯横梁（右）总成 Taillamp Beam Assembly RH			
3	37AHD-34008	1	尾灯支架（左） Taillamp Bracket LH			
4	37AHD-34009	1	尾灯支架（右） Taillamp Bracket RH			
5	37AD-73012	1	左后组合灯总成 -2 Rear Combination Lamp Assembly LH-2			
6	37AD-73022	1	右后组合灯总成 -2 Rear Combination Lamp Assembly RH-2			
7	Q340B08	12	I 型六角螺母 Hexagon Full Nut			
8	Q1420825	8	六角头螺栓和弹簧垫圈组合件 Hexagon Head Combination Bolt W/Spring Washer			
9	Q2610830	1	六角头自攻锁紧螺钉 Hexagon Self-Tapping Lock Screw			
10	36AD-11010	1	倒车蜂鸣器 Backing Buzzer			
11	Q1421035	6	六角头螺栓和弹簧垫圈组合件 Hexagon Head Combination Bolt W/Spring Washer			
12	Q340B10	6	I 型六角螺母 Hexagon Full Nut			

示廓灯, 车速灯 / CLEARANCE LIGHT, SPEED LIGHT

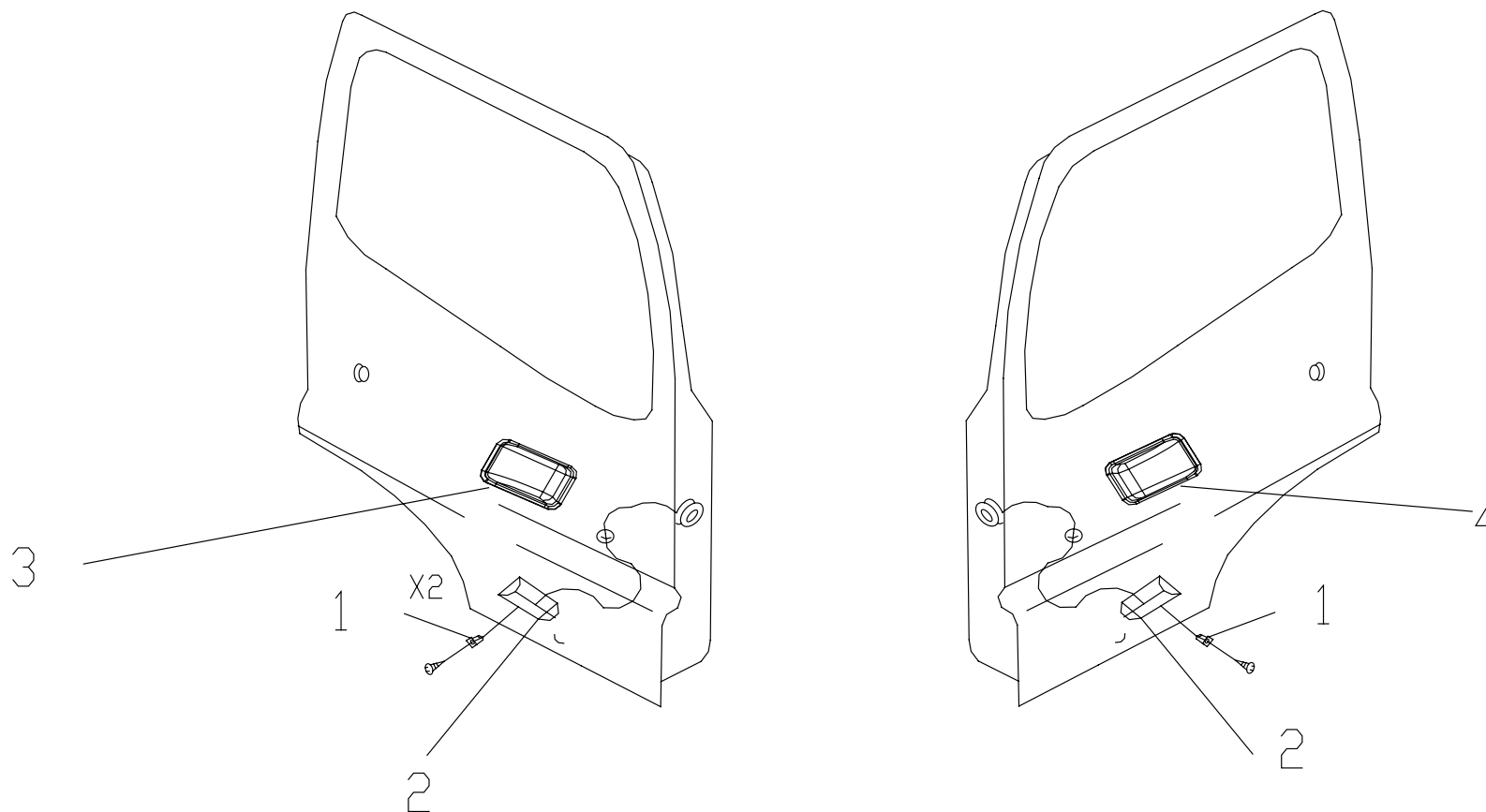
37-N



序号 No.	件号 Part No.	数量 Quantity	名称 Name	规格 Specification	适用产品 Products Applied	备注 Remark
1	37AD-62010	3	车速灯总成 Speed Light Assembly			
2	Q2140620	12	十字槽盘头螺钉 Cross Recessed Pan Head Screw			
3	37AD-31010	2	示廓灯总成 Clearance Light Assembly			
4	Q2140635	4	十字槽盘头螺钉 (示廓灯自带) Cross Recessed Pan Head Screw (Included In Clearance Light)			
5	37AD-58010	2	车门限位开关 Door Limiting Switch			
6	37AD-58011	2	车门限位开关橡胶护套 Door Limiting Switch Rubber Cover			
7	Q2540616	2	十字槽沉头螺钉 Cross Recessed Countersunk Head Screw			

侧转向灯，踏步灯装置 / SIDE TURN LIGHT, STEP LAMP

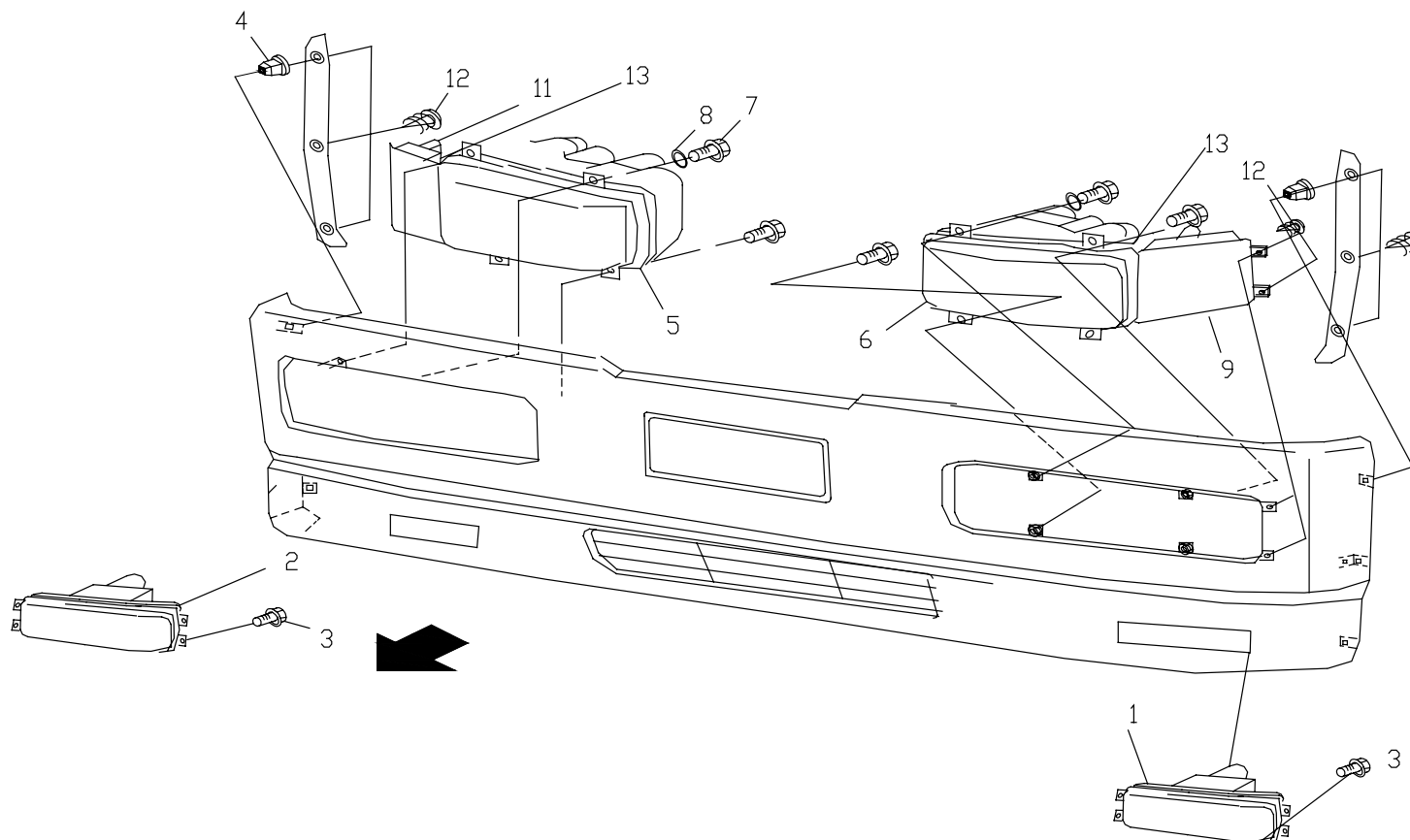
37-0



序号 No.	件号 Part No.	数量 Quantity	名称 Name	规格 Specification	适用产品 Products Applied	备注 Remark
1	Q2722919	4	十字槽盘头自攻螺钉 (踏步灯自带) Cross Recessed Pan Head Self-Tapping Screw (Included In Step Light)			
2	37AD-64010	2	踏步灯总成 Step Lamp Assembly			
3	37AD-59010	1	左侧转向灯总成 Side Turn Light Assembly LH			
4	37AD-59020	1	右侧转向灯总成 Side Turn Light Assembly RH			

前组合灯, 雾灯 / FRONT COMBINATION LIGHT, FOG LIGHT

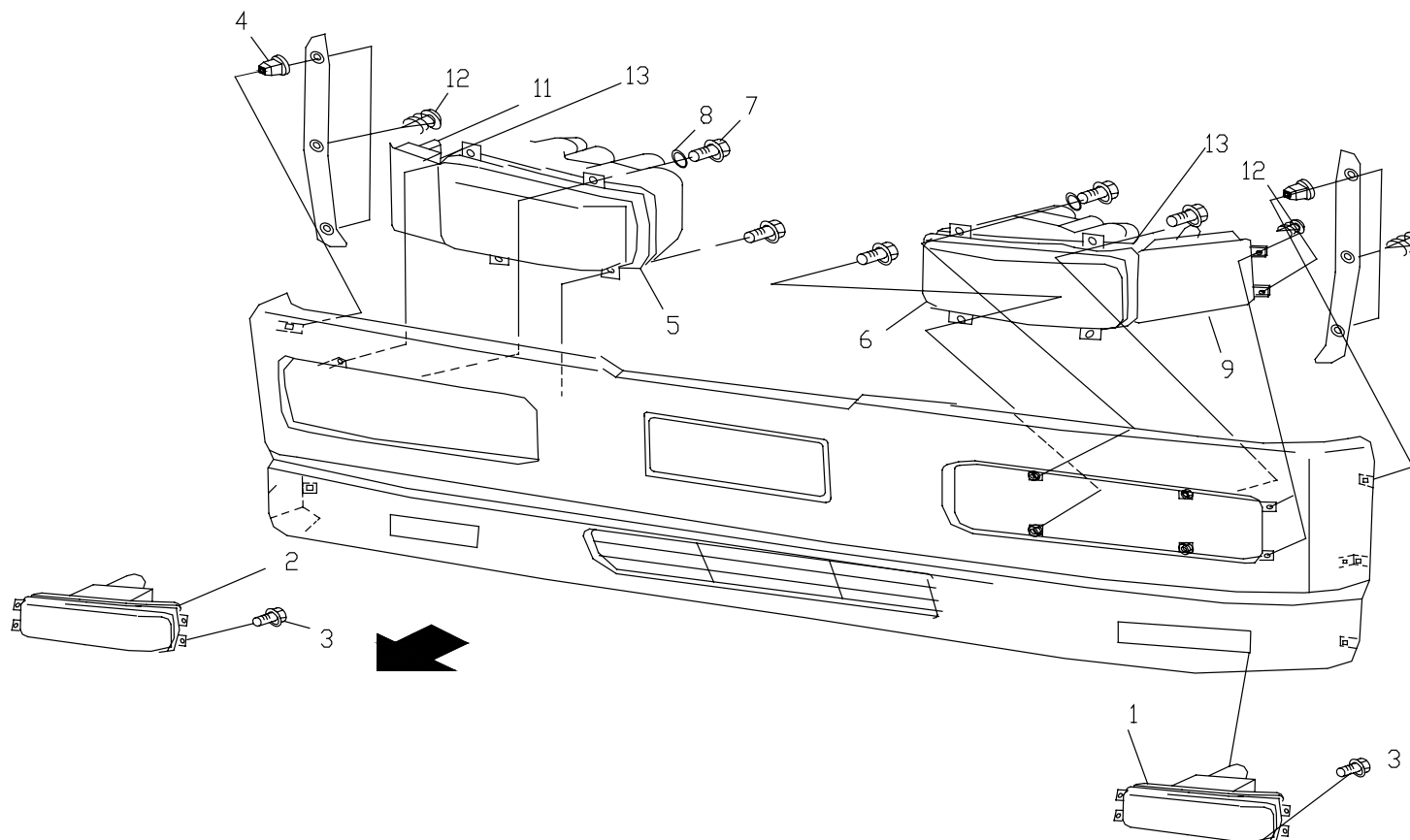
37-P



序号 No.	件号 Part No.	数量 Quantity	名称 Name	规格 Specification	适用产品 Products Applied	备注 Remark
1	37AD-72050	1	左前雾灯总成 Front Fog Light Assembly LH			
	37AD-72030	1	左前雾灯总成 (欧款) Front Fog Light Assembly LH (Europe)		欧款车型 Europe Model	
	37AD-72010	1	左前雾灯总成 (窄体) Front Fog Light Assembly LH (Narrow Cab)			
2	37AD-72060	1	右前雾灯总成 Front Fog Light Assembly RH			
	37AD-72040	1	右前雾灯总成 (欧款) Front Fog Light Assembly RH (Europe)		欧款车型 Europe Model	
	37AD-72020	1	右前雾灯总成 (窄体) Front Fog Light Assembly RH (Narrow Cab)			
3	Q1460625	8	十字槽盘头螺钉、弹簧垫圈和平垫圈组合件 Cross Recessed Pan Head Screw W/Spring And Plate Washer			
4	53A-03123	6	方形塑料螺母 C Square Plastic Nut C			
5	37AD-11020	1	右前照灯总成 Head Light Assembly RH		平顶车型 Flat Roof Model	
	37AD-11040	1	右前照灯总成 (窄体) Head Light Assembly RH (Narrow Cab)		窄体车型 NARROW Cab Model	
	37AD-11060	1	右前照灯总成 (右驾) Head Light Assembly RH (RHD)		右驾车型 RHD Model	
	37AD-11080	1	右前照灯总成 (前调) Head Light Assembly RH (Front Regulator)		欧款车型 Europe Model	

前组合灯, 雾灯 / FRONT COMBINATION LIGHT, FOG LIGHT

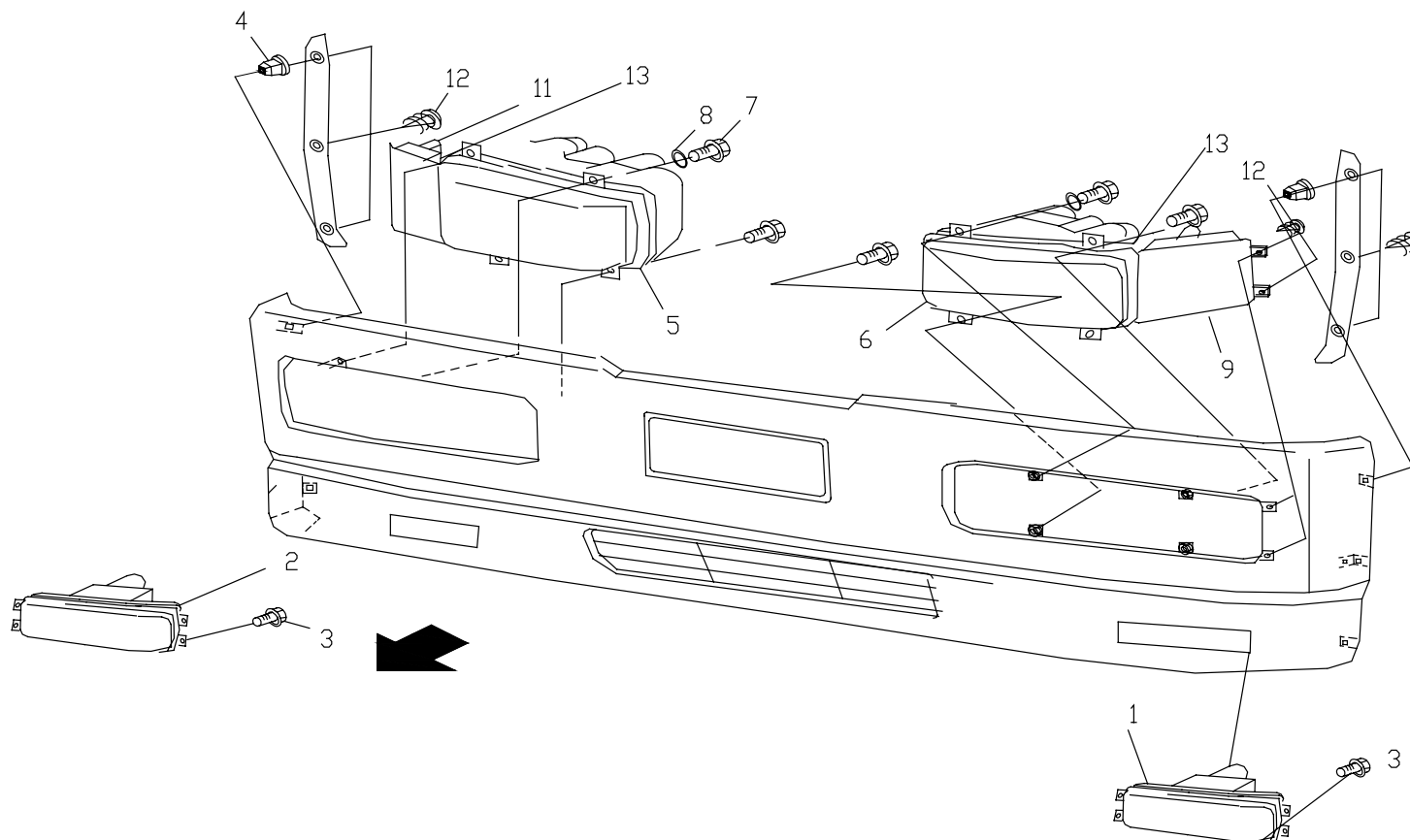
37-P



序号 No.	件号 Part No.	数量 Quantity	名称 Name	规格 Specification	适用产品 Products Applied	备注 Remark
6	37AD-11010	1	左前照灯总成 Head Light Assembly LH		平顶车型 Flat Roof Model	
	37AD-11030	1	左前照灯总成 (窄体) Head Light Assembly LH (Narrow Cab)		窄体车型 NARROW Cab Model	
	37AD-11050	1	左前照灯总成 (右驾) Head Light Assembly LH (RHD)		右驾车型 RHD Model	
	37AD-11070	1	左前照灯总成 (前调) Head Light Assembly LH (Front Regulator)		欧款车型 Europe Model	
7	Q1420820	8	六角头螺栓和弹簧垫圈组合件 Hexagon Head Combination Bolt W/Spring Washer			
8	Q40208	8	大垫圈 Big Washer			

前组合灯, 雾灯 / FRONT COMBINATION LIGHT, FOG LIGHT

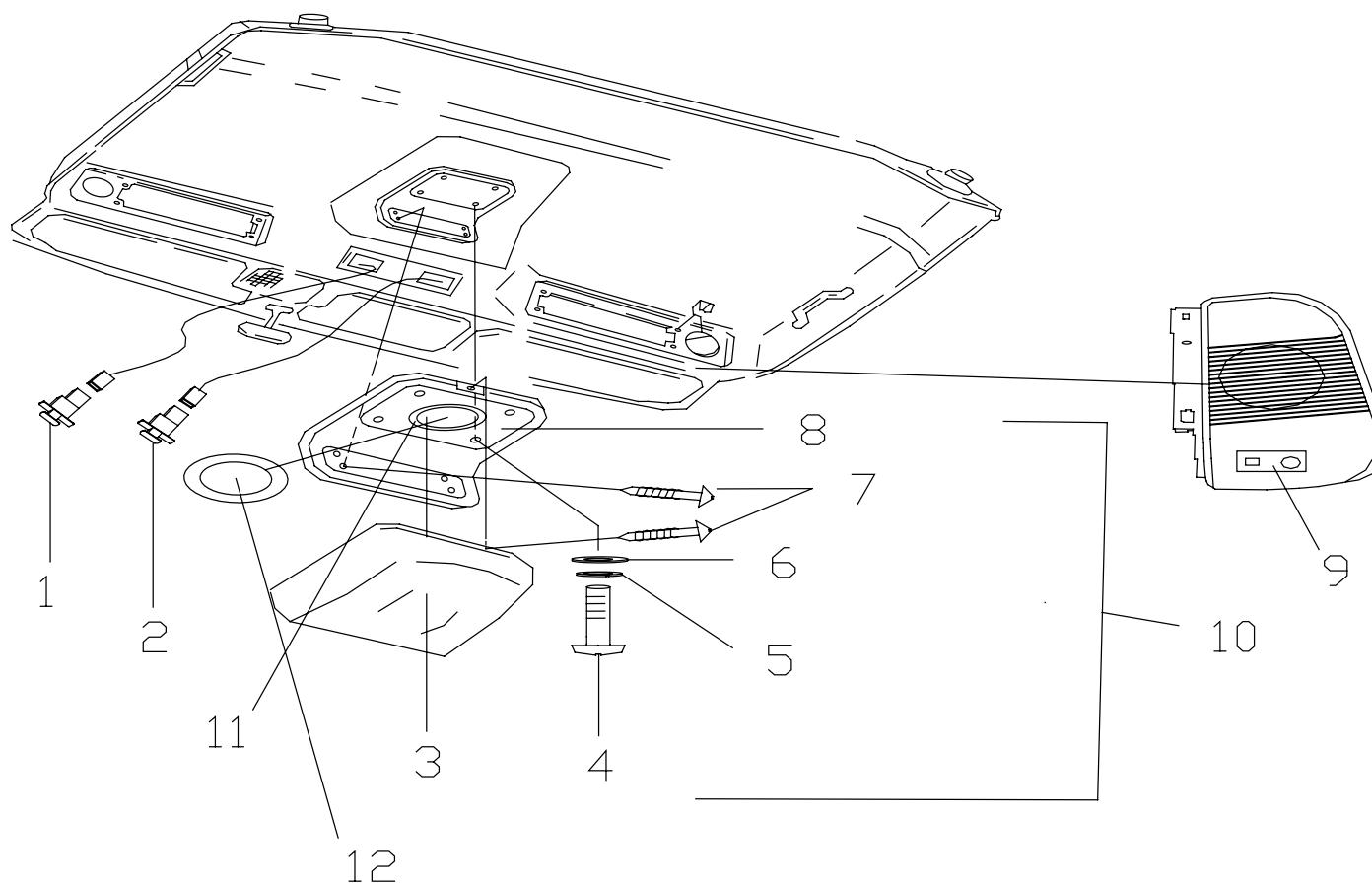
37-P



序号 No.	件号 Part No.	数量 Quantity	名称 Name	规格 Specification	适用产品 Products Applied	备注 Remark
10	37AD-12010	1	左组合前转向灯总成 Combination Front Turn Light Assembly LH			
	37AD-12030	1	左组合前转向灯总成 (窄体) Combination Front Turn Light Assembly LH (Narrow Cab)		窄体车型 Narrow Cab Model	
11	37AD-12020	1	右组合前转向灯总成 Combination Front Turn Light Assembly RH			
	37AD-12040	1	右组合前转向灯总成 (窄体) Combination Front Turn Light Assembly RH (Narrow Cab)		窄体车型 Narrow Cab Model	
12	Q2735513	4	十字槽盘头自攻螺钉 Cross Recessed Pan Head Self-Tapping Screw			
13	Q2725516	4	十字槽盘头自攻螺钉 Cross Recessed Pan Head Self-Tapping Screw			

室内荧光灯，阅读灯（平顶车）
INDOOR FLUORESCENT LAMP, READING LAMP(FLAT ROOF VEHICLE)

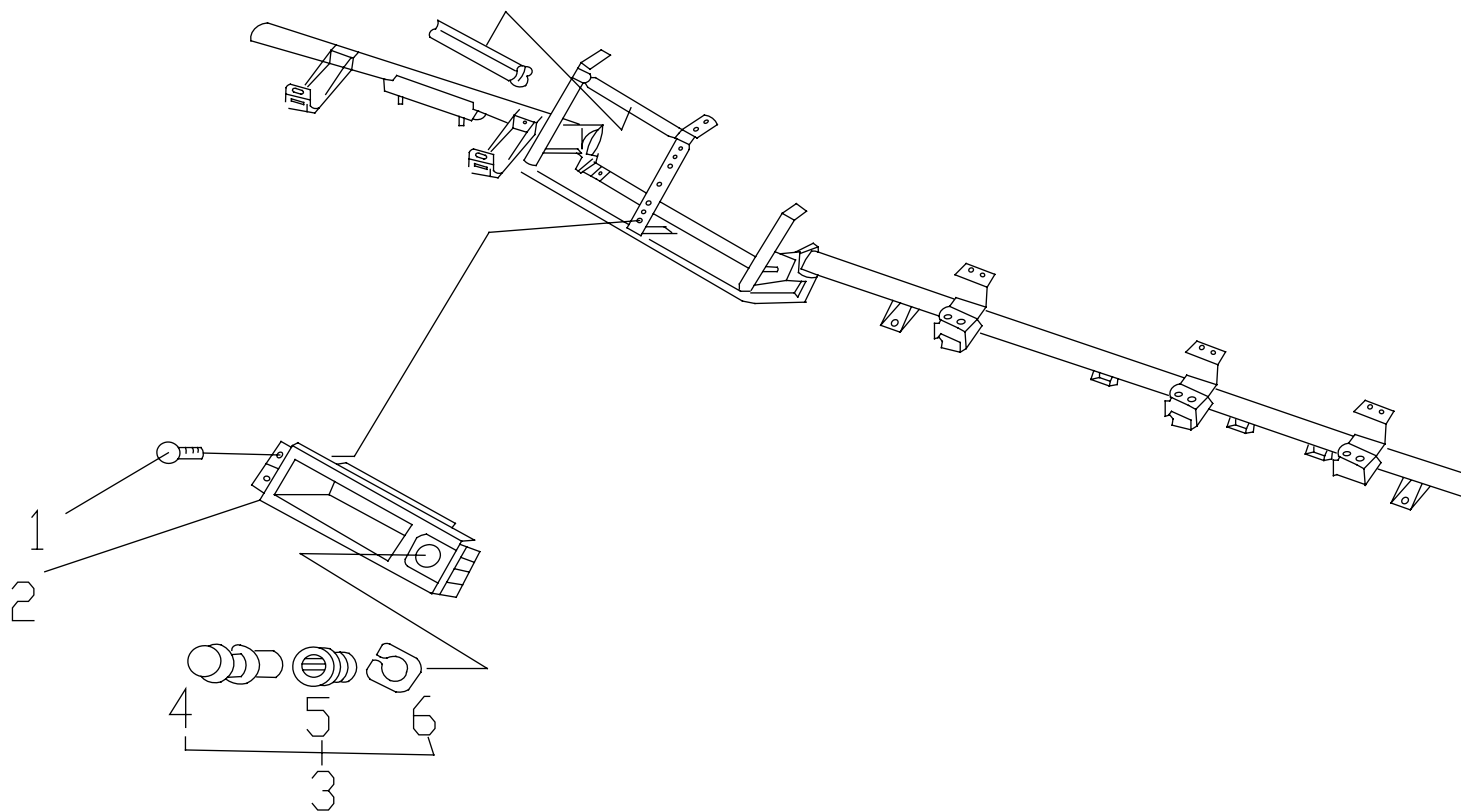
37-Q



序号 No.	件号 Part No.	数量 Quantity	名称 Name	规格 Specification	适用产品 Products Applied	备注 Remark
1	37AD-86011	1	荧光灯开关 Fluorescent Lamp Switch			
2	37AD-86012	1	门灯开关 Door Light Switch			
3	37AD-14013	1	荧光灯罩 Fluorescent Lamp Cover			
4	Q2140620	4	十字槽盘头螺钉 Cross Recessed Pan Head Screw			
5	Q40306	4	弹簧垫圈 Spring Washer			
6	Q40106	4	平垫圈 Plate Washer			
7	Q2724816	5	十字槽盘头自攻螺钉 Cross Recessed Pan Head Self-Tapping Screw			
8	37AD-14011	1	荧光灯底座 Fluorescent Lamp Base			
9	37AD-15010	1	阅读灯总成 Reading Lamp Assembly			
10	37AD-14010	1	荧光灯总成 Fluorescent Lamp Assembly			
11	37AD-14017	1	灯管 Lamp Tube			
12	37AD-14014	1	荧光灯内盖 Fluorescent Lamp Inner Cover			

点烟器装置 / CIGAR LIGHTER

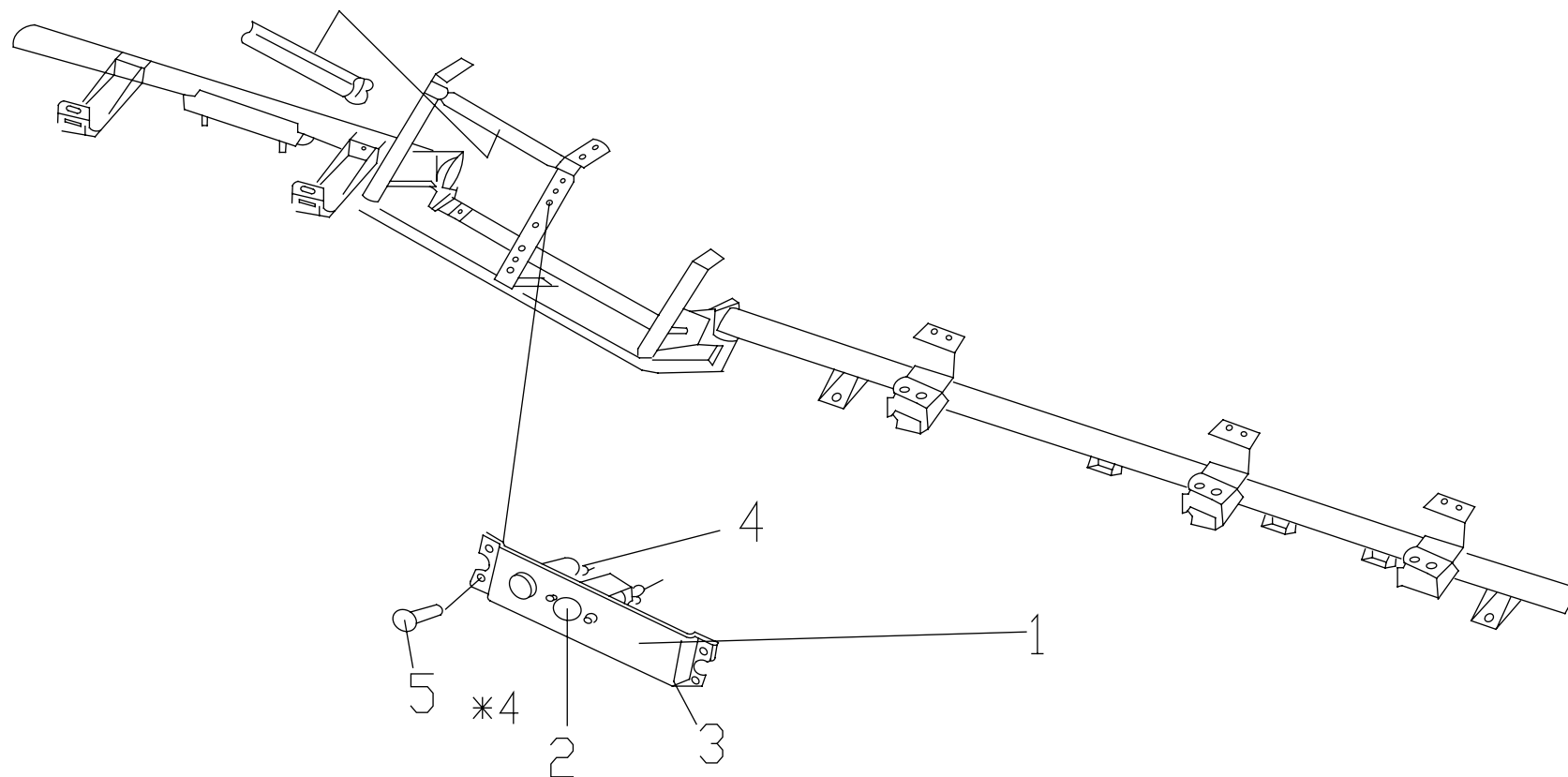
37-R



序号 No.	件号 Part No.	数量 Quantity	名称 Name	规格 Specification	适用产品 Products Applied	备注 Remark
1	Q2360516	4	十字槽盘头组合螺钉 Cross Recessed Pan Head Combination Screw			
2	53A-05190	1	点烟器置物盒 Cigar Lighter Storage Box			
3	37AD-25010	1	点烟器总成 Cigar Lighter Assembly			
4	37AD-25011	1	点烟器 Cigar Lighter			
5	37AD-25013	1	点烟器底座 Cigar Lighter Base			
6	37AD-25017	1	点烟器底座面板 Cigar Lighter Base Panel			

进气加热器指示器总成 / INTAKE HEATER INDICATOR ASSEMBLY

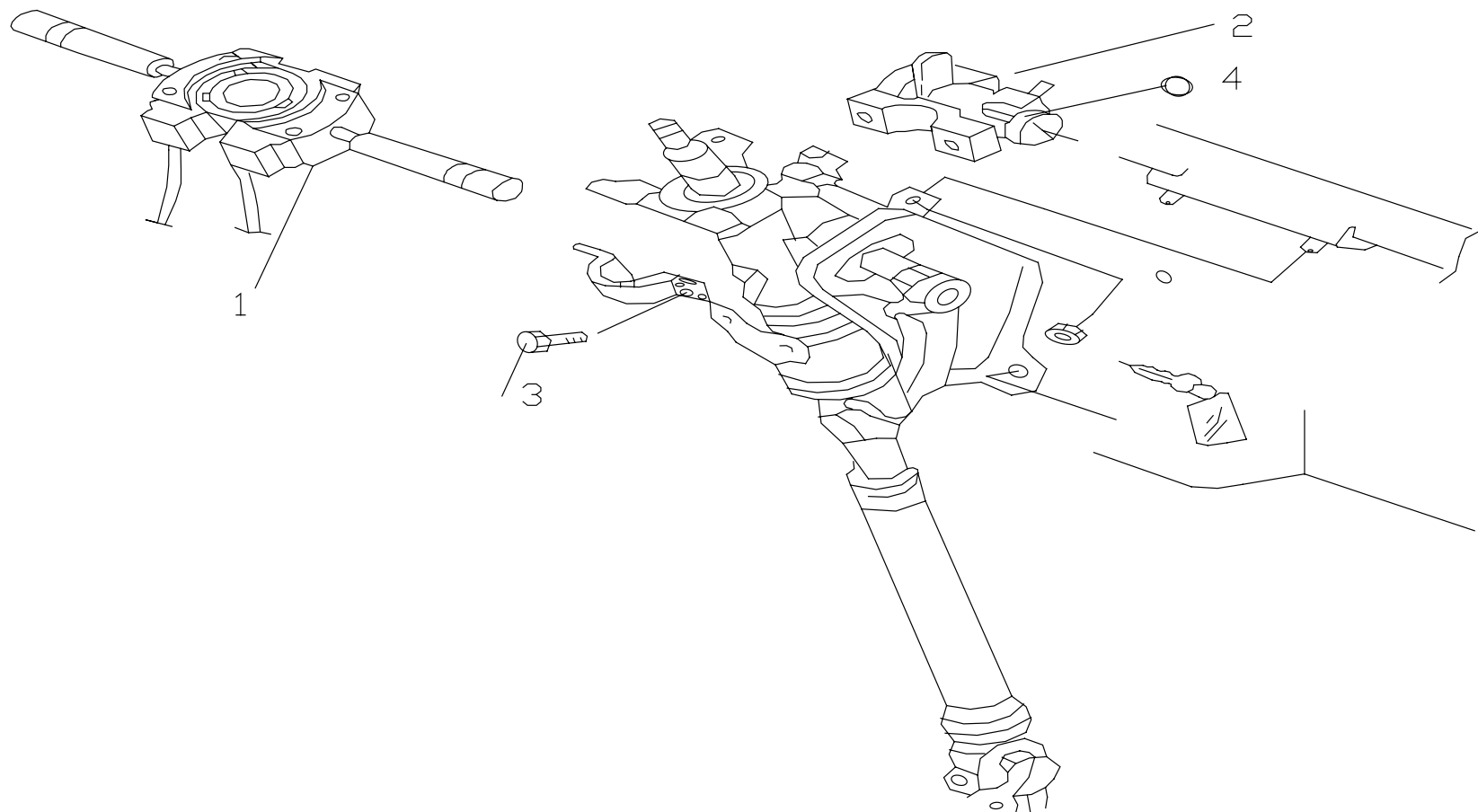
37-S



序号 No.	件号 Part No.	数量 Quantity	名称 Name	规格 Specification	适用产品 Products Applied	备注 Remark
1	37AD-67010	1	进气加热器指示器总成 Intake Heater Indicator Assembly			
2	37AD-67013	1	进气加热器开关 Intake Heater Switch			
3	37AD-67017	1	安装支架 Installation Bracket			
4	37AD-67011	1	进气加热指示器电阻 Intake Heater Indicator Resistor			
5	Q2360412	4	十字槽盘头螺钉、弹簧垫圈和平垫圈组合件 Cross Recessed Pan Head W/Spring And Plate Washer			

组合开关、点火锁装置 / COMBINATION SWITCH, IGNITION LOCK

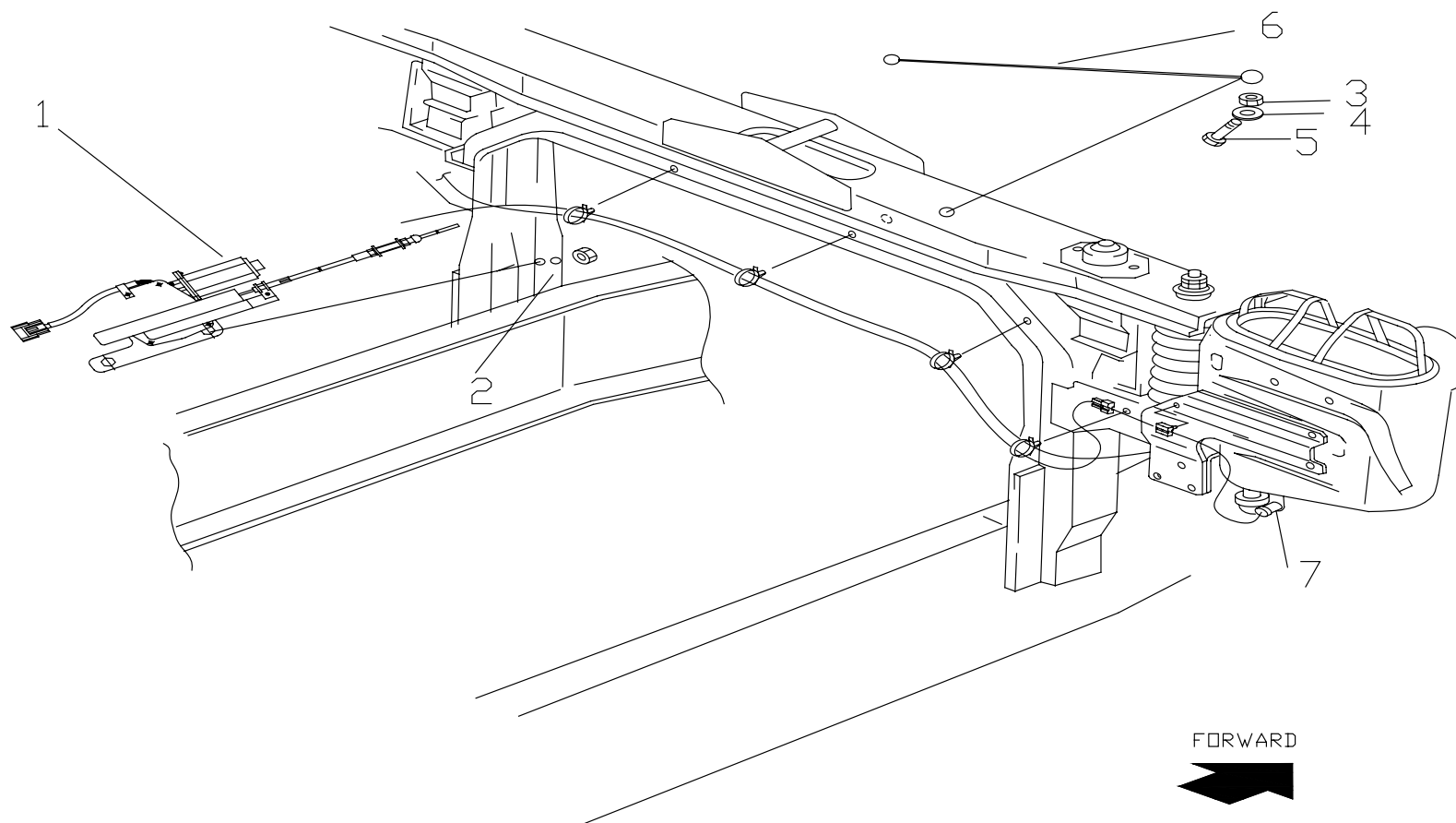
37-T



序号 No.	件号 Part No.	数量 Quantity	名称 Name	规格 Specification	适用产品 Products Applied	备注 Remark
1	37AD-74010	1	组合开关 Combination Switch			
2	37AD-04010	1	点火锁开关总成 Ignition Lock Switch Assembly			
3	37AD-04011	2	点火锁开关固定螺栓 Ignition Lock Switch Set Bolt			
4	37AD-04012	1	点火锁橡胶护圈 Ignition Lock Rubber Retainer Ring			

熄火电机, 龙门架线束, 空气滤清传感器
ENGINE STOP MOTOR, GANTRY WIRE HARNESS, AIR FILTER SENSOR

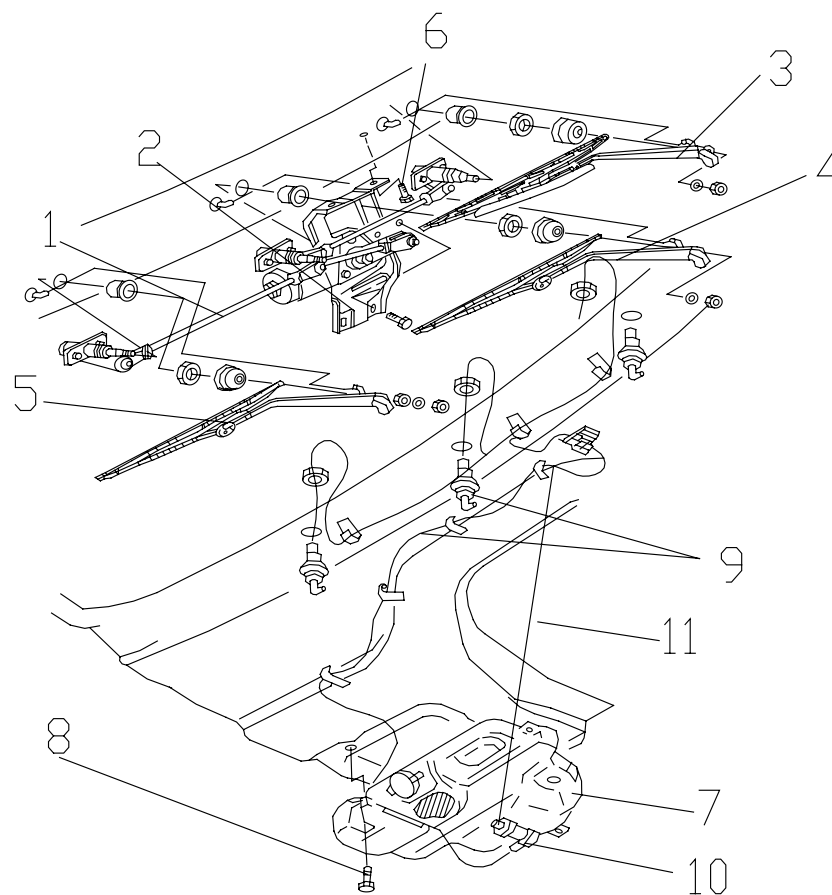
37-U



序号 No.	件号 Part No.	数量 Quantity	名称 Name	规格 Specification	适用产品 Products Applied	备注 Remark
1	37A4D-48010	1	康明斯熄火电机总成 CUMMINS Engine Stop Motor Assembly		康明斯 C 系列发动机车型 CUMMINS C Series Engine	
	37A4D-48020	1	康明斯 L 系列熄火电机总成 CUMMINS L Series Engine Stop Motor Assembly		康明斯 C 系列发动机车型 CUMMINS C Series Engine	
	37B25D-48020	1	玉柴熄火电机总成 YUCHAI Engine Stop Motor Assembly		玉柴 C 系列发动机车型 YUCHAI C Series Engine	
	37A16D-48010	1	日野熄火电机总成 HINO Engine Stop Motor Assembly		日野欧 2 发动机系列车型 HINO Euro II Engine Series	
2	Q1460825	2	六角头螺栓弹簧垫圈和平垫圈组合件 Hexagon Head Combination Bolt W/Spring And Plate Washer			
3	Q340B06	2	I 型六角螺母 Hexagon Full Nut			
4	Q40106	2	平垫圈 Plate Washer			
5	Q1460625	2	六角头螺栓弹簧垫圈和平垫圈组合件 Hexagon Head Combination Bolt W/Spring And Plate Washer			
6	37AD-24108	1	龙门架搭铁线 Gantry Ground Cable			
7	36A3D-35001	1	空气滤清传感器 Air Filter Sensor			

雨刮器总成 / WIPER ASSEMBLY

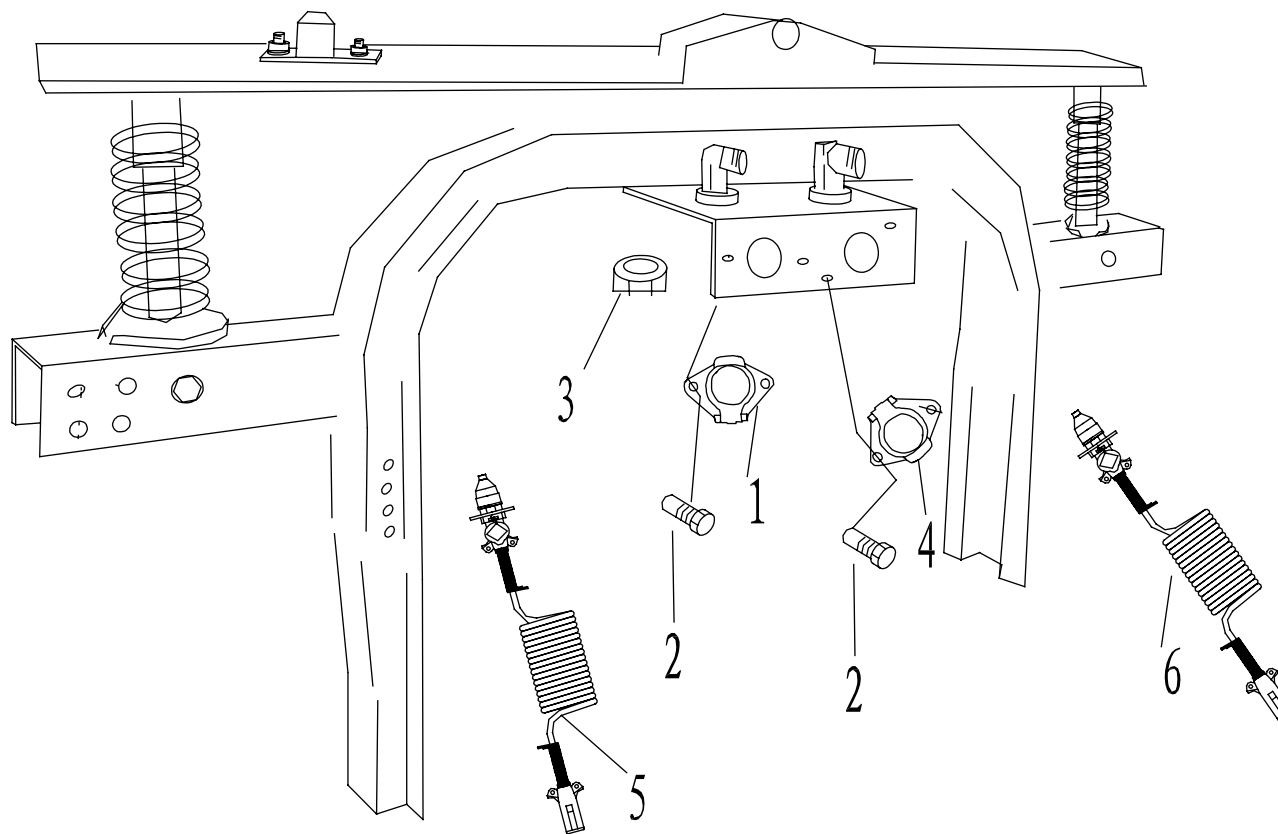
37-V



序号 No.	件号 Part No.	数量 Quantity	名称 Name	规格 Specification	适用产品 Products Applied	备注 Remark
1	5205A-013	1	传动机构总成 Drive Mechanism Assembly			
2	37AD-41010	1	雨刮电机总成 Wiper Motor Assembly			
3	5205A-015	1	左刮刷刮臂总成 Wiper Blade And Wiper Arm Assembly LH			
4	5205A-035	1	中刮刷刮臂总成 Middle Wiper Blade And Wiper Arm Assembly			
5	5205A-025	1	右刮刷刮臂总成 Wiper Blade And Wiper Arm Assembly RH			
6	Q1460816	4	六角头组合螺栓 Hexagon Head Combination Bolt			
7	5205A-045	1	洗涤剂水壶—带密封圈 Washer Kettle—W/Seal Ring			
8	Q1460816	3	六角头组合螺栓 Hexagon Head Combination Bolt			
9	52025A-046	1	玻璃水管总成—带喷嘴 Water Pipe Assembly—W/Nozzle			
10	37AD-47010	1	喷水电机 Water Injection Motor			
11	37AD-24080	1	喷水电机线束 Water Injection Motor Wire Harness			

ABS 七孔插座 / ABS 7-JACK SOCKET

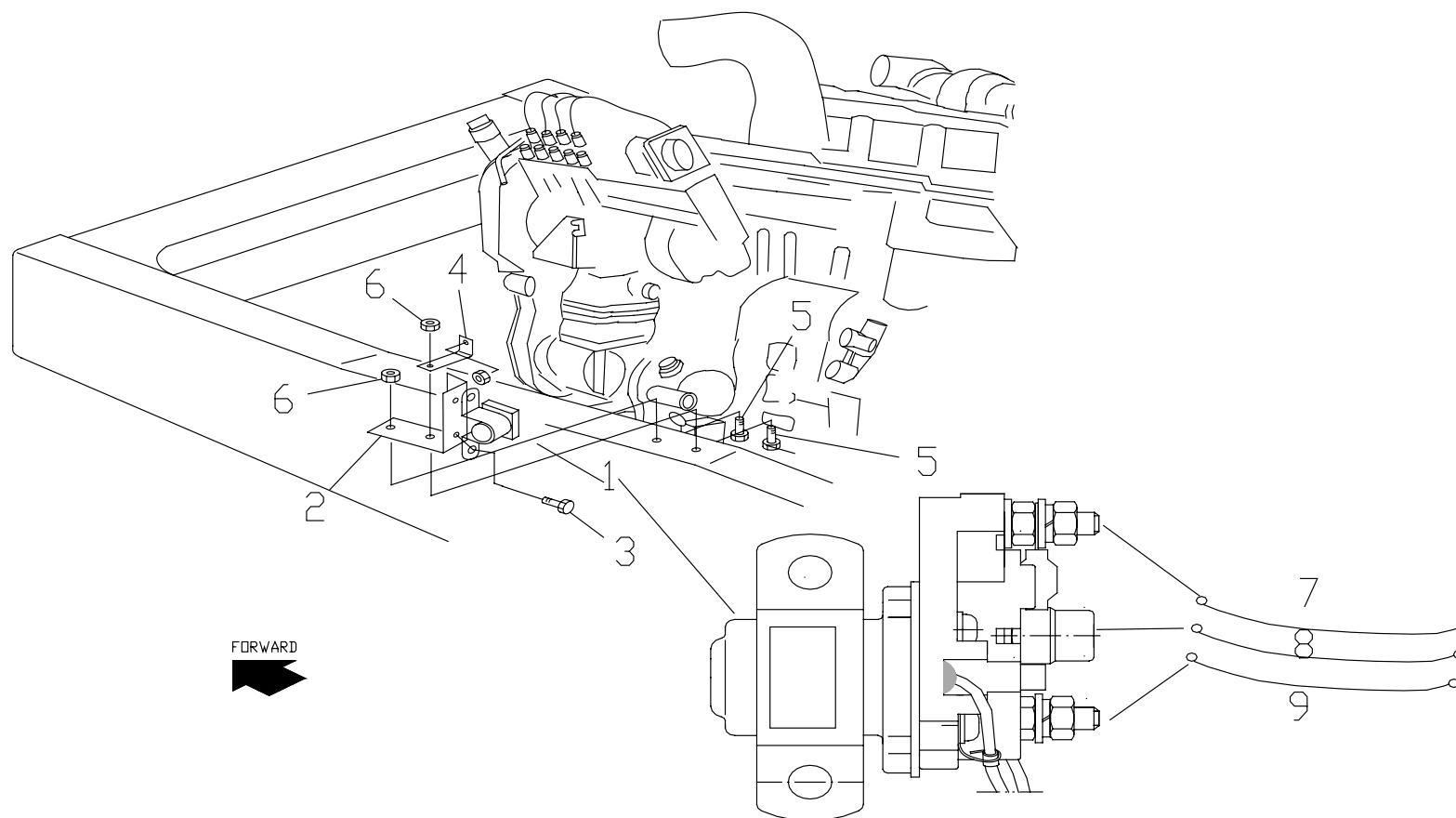
37-W



序号 No.	件号 Part No.	数量 Quantity	名称 Name	规格 Specification	适用产品 Products Applied	备注 Remark
1	37ADQ-30010	1	牵引车七孔插座 Tractor 7-Jack Socket			
2	Q1460820	4	六角头螺栓弹簧垫圈和平垫圈组合件 Hexagon Head Combination Bolt W/Spring And Plate Washer			
3	Q340B08	4	I型六角螺母 Hexagon Full Nut			
4	37ADQ-30015	1	牵引车 ABS 七孔插座 Tractor ABS 7-Jack Socket			
5	37ADQ-30011	1	牵引车七芯螺旋线 Tractor 7- Core Helix			
6	37ADQ-30016	1	牵引车 ABS 螺旋线 Tractor ABS Helix			

预热继电器 / PRE-HEATING RELAY

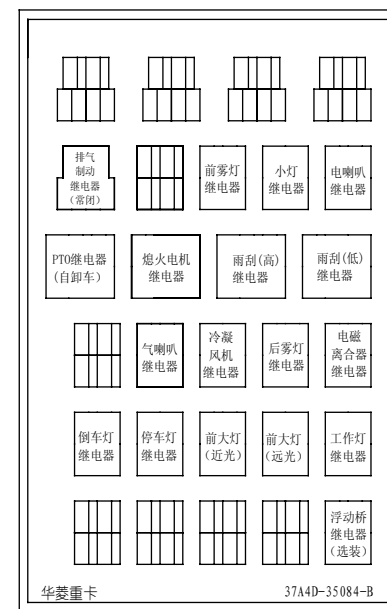
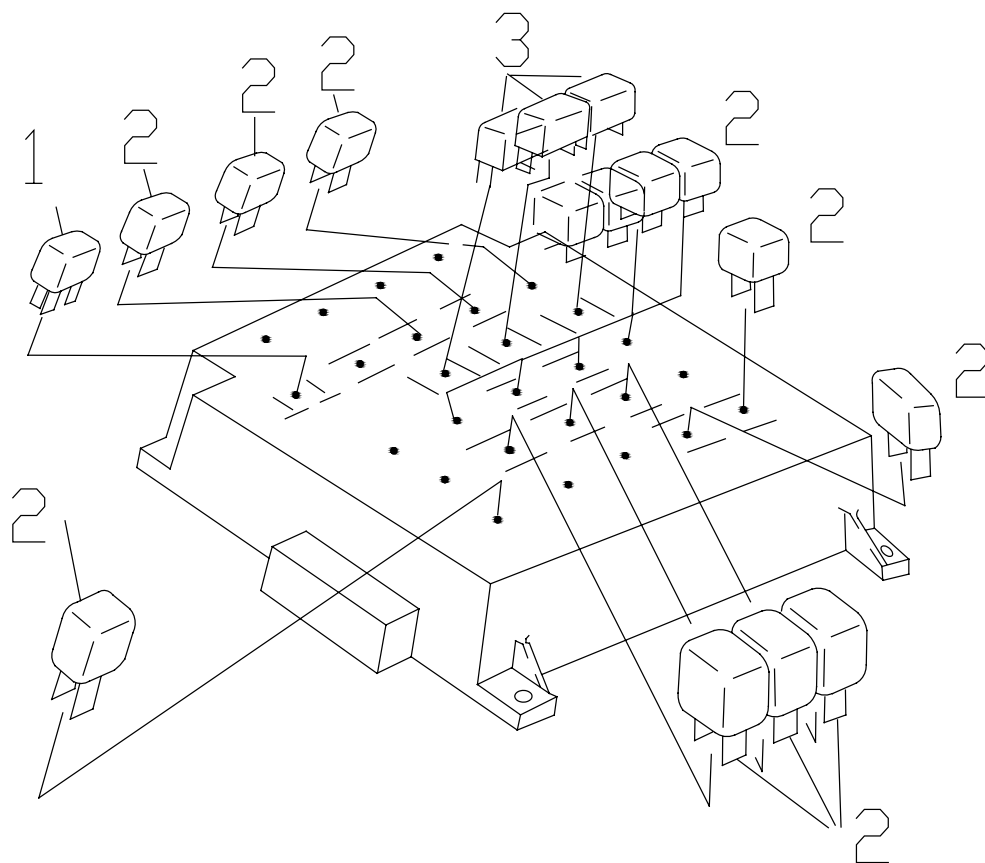
37-X



序号 No.	件号 Part No.	数量 Quantity	名称 Name	规格 Specification	适用产品 Products Applied	备注 Remark
1	37A4D-35040	1	康明斯预热继电器 CUMMINS Pre-Heating Relay		康明斯欧 II 发动机 CUMMINS Euro II Engine	
	37A44D-35041	1	150A 预热继电器 150A Pre-heating Relay		日野欧 II、日野欧 III、潍柴欧 III、杭发欧 III、 康明斯 ISL、锡柴欧 III、康明斯 ISD HINO Euro II ,HINO Euro III , WEICHAI Euro III ,HANGFA Euro III , CUMMINS ISL,XICHAI Euro III , CUMMINS ISD	
2	37A4D-34067	1	支架 Bracket			
3	Q1420820	2	六角头螺栓、弹簧垫圈组合件 Hexagon Head Combination Bolt W/Spring Washer			
4	11A4D-04051	1	支架 Bracket			
5	Q1420830	2	六角头螺栓、弹簧垫圈组合件 Hexagon Head Combination Bolt W/Spring Washer			
6	Q340B08	2	I 型六角螺母 Hexagon Full Nut			
7	37A4D-37011	1	康明斯电预热器电源电缆 CUMMINS Electric Preheater Electrical Power Cable			
	37A16D-37011	1	日野电预热器电源电缆 HINO Electric Preheater Electrical Power Cable		日野欧 II、日野欧 III、潍柴欧 III、杭发欧 III、 康明斯 ISL、锡柴欧 III、康明斯 ISD、 锡柴欧 II HINO Euro II ,HINO Euro III , WEICHAI Euro III ,HANGFA Euro III , CUMMINS ISL,XICHAI Euro III , CUMMINS ISD,XICHAI Euro II	
8	37A4D-37012	1	康明斯电预热器接地线 CUMMINS Electric Preheater Ground Cable			
	37A53D-37012	1	电预热器接地电缆 -120 Electric Preheater Earthing Cable-120		杭发欧 III、潍柴欧 III HANGFA Euro III , WEICHAI Euro III	
9	37A4D-37013	1	康明斯预热继电器电源电缆 CUMMINS Pre-heating Relay Electrical Power Cable			

继电器盒装置 / RELAY BOX

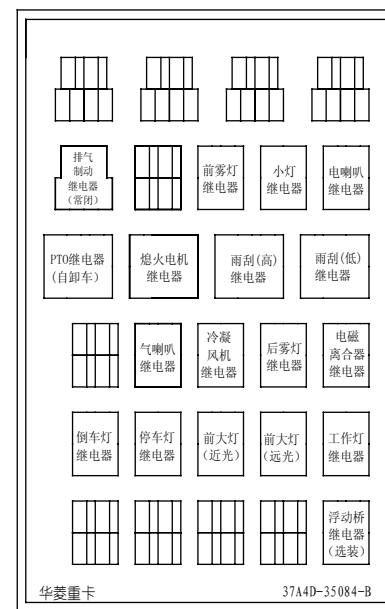
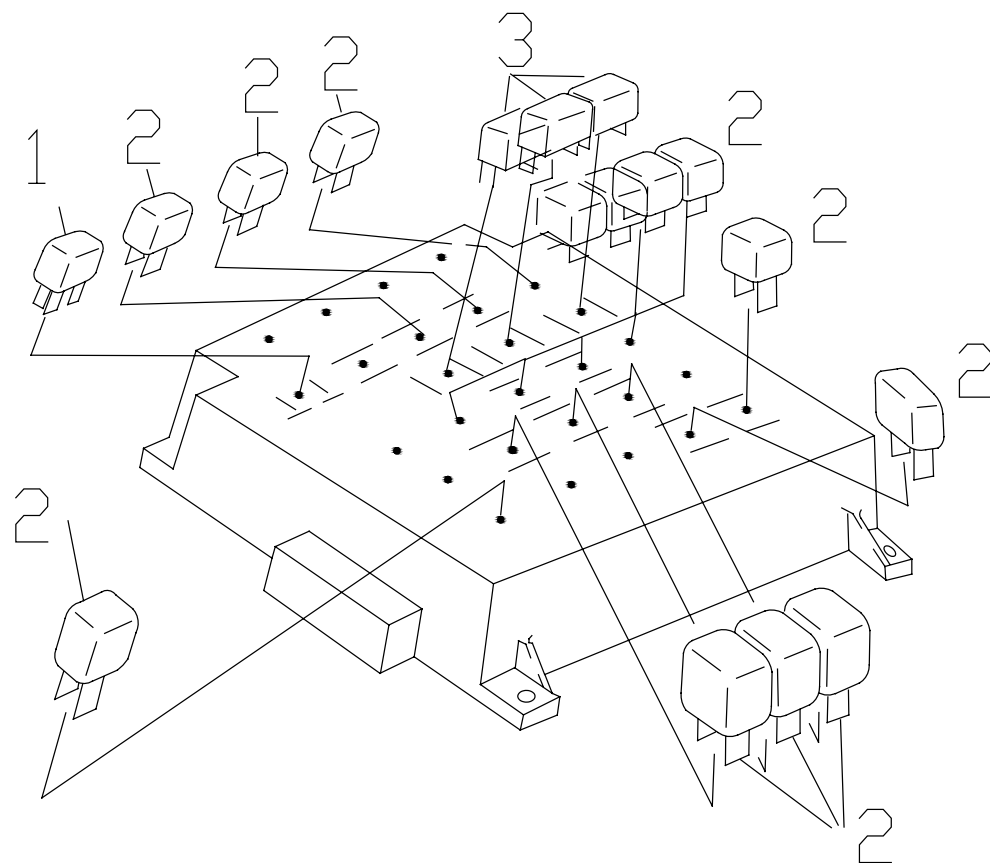
37-Y



序号 No.	件号 Part No.	数量 Quantity	名称 Name	规格 Specification	适用产品 Products Applied	备注 Remark
1	37AD-35083	1	四插常闭继电器 4-Plug Normally Closed Relay			
2	37AD-35081	12	四插继电器 4-Plug Relay			
3	37AD-35082	3	五插继电器 5-Plug Relay			
4	37A4D-35084-B	1	继电器盒盒贴 (康明斯)-B Relay Box Cover Paper (CUMMINS) -B		康明斯发动机系列 CUMMINS Engine Series	
	37A2D-35084-B	1	继电器盒盒贴 (斯太尔)-B Relay Box Cover Paper (STEYR) -B		斯太尔发动机系列 STEYR Engine Series	
	37A50D-35084	1	继电器盒贴 (CAT C13) Relay Box Cover Paper(CAT C13)		卡特 C13 发动机系列 CATER C13 Engine Series	
	37A52D-35084	1	继电器盒贴 (CAT C9) Relay Box Cover Paper(CAT C9)		卡特 C9 发动机系列 CATER C9 Engine Series	
	37AD-35084-B	1	继电器盒盒贴 (三菱)-B Relay Box Cover Paper(MITSUBISHI)-B		三菱发动机系列 MITSUBISHI Engine Series	
	37B25D-35084	1	继电器盒盒贴 (玉柴) Relay Box Cover Paper(YUCHAI)		玉柴发动机系列 YUCHAI Engine Series	
	37A4D-35084	1	继电器盒盒贴 (康明斯) Relay Box Cover Paper(CUMMINS)			
	37AD-35084	1	继电器盒盒贴 (三菱) Relay Box Cover Paper(MITSUBISHI)			
	37A2D-35084	1	继电器盒盒贴 (斯太尔) Relay Box Cover Paper(STEYR)			
	37A3D-35084	1	继电器盒盒贴 (五十铃) Relay Box Cover Paper(ISUZU)			
	37A3D-35084-B	1	继电器盒盒贴 (五十铃)-B Relay Box Cover Paper(ISUZU)-B			

继电器盒装置 / RELAY BOX

37-Y



序号 No.	件号 Part No.	数量 Quantity	名称 Name	规格 Specification	适用产品 Products Applied	备注 Remark
4	37AH4D-35084	1	康明斯继电器盒盒贴 Relay Box Cover Paper(CUMMINS)			
	37AH2D-35084	1	斯太尔继电器盒盒贴 Relay Box Cover Paper(STEYR)			
	37AH53D-35084	1	继电器盒贴 (杭发欧III) Relay Box Cover Paper(HANGFA Euro III)		杭发欧III发动机车型 HANG FA Euro III Engine Model	
	37AH59D-35084	1	继电器盒贴 (潍柴欧III) Relay Box Cover Paper(WEICHAH Euro III)		潍柴欧III发动机车型 WEICHAH Euro III Engine Model	
	37AH43D-35084	1	继电器盒贴 (ISL) Relay Box Cover Paper(ISL)		康明斯 ISL 发动机车型 CUMMINS ISL Engine Model	
	37A52D-35084	1	继电器盒贴 (CAT C9) Relay Box Cover Paper(CAT C9)		卡特 C9 发动机车型 CATER C9 Engine Model	
	37A50D-35084	1	继电器盒贴 (CAT C13) Relay Box Cover Paper(CAT C13)		卡特 C13 发动机车型 CATER C13 Engine Model	
	37AH93D-35184		继电器盒贴 (三菱欧III) Relay Box Cover Paper(MITSUBISHI Euro III)		三菱欧III MITSUBISHI Euro III	

保险丝盒 / FUSE BOX

37-Z

1		5		2		4																																																					
F1	F2	F3	F4	F5	F6	F7	F8	F9	F10	F11	F12	F13	F14	F15	F16	F17	F18	F19	F20	F21	F22	F23	F24	F25	F26	F27	F28	F29	F30	F31	F32	F33	F34	F35	F36	F37	F38	F39	F40	F41	F42	F43	F44	F45	F46	F47	F48	F49	F50	F51	F52	F53	F54	F55	F56	F57	F58	F59	F60
	20A	5A	5A		20A	7.5A	15A	5A	15A			15A	15A	15A	10A	10A		10A	15A	15A			10A	5A	15A		5A	5A	10A	10A		10A		15A	10A	10A	10A	5A	5A	5A		10A	5A	7.5A	5A		10A	10A	10A			30A	15A	15A	10A	10A	5A	5A	
	PCV电磁阀 PCV VALVE	仪表 METER	行程记录仪 MULAC TACHO-GRAPH		音门控制 CD PLAYER P WER WINDOW	维修灯 MAINTAIN LAMP	喇叭 HORN	荧光灯 DOOR LAMP ROOM LAMP	闪光器 FLASHER RELAY			ABS	门窗控制 器(左侧) POWER (LID) WINDOW	门窗控制 器(右侧) POWER (RIG) WINDOW	左前灯 远光 HEAD LAMP (LID) (HIGH)	右前灯 远光 HEAD LAMP (RIG) (HIGH)	空气干燥器 D WER	工作灯 继电器 WORK LAMP R EAY	小灯 继电器 TAIL LAMP RELAY				差速器 锁开关 DIFF LOCK	发动机 控制盒 ECU	ECU 继电器 ECU RELAY		挂车开关 (牵引) SW. LOCK HOOK	门窗 控制器 P WER WINDOW	左前灯 近光 HEAD LAMP (LID) (LOW)	右前灯 近光 HEAD LAMP (RIG) (LOW)		停车灯 继电器 STOP LAMP RELAY		雾灯 FOG LAMP	预热开关 SW. HEATER BACK LAMP	翻 转 制 动 P B	仪表 METER	仪表 METER	空调 系统 A/C	大灯 继电器 HEAD LAMP RELAY	音响 点烟器 CIG LIGHTER	启动机 信号 ENGINE STARTER	冰 箱 (选 装) REFRIGERATOR (OPT)	MULAC		驾驶室 小灯 TAIL LAMP (CAB)	PCV 电磁阀1 PCV VALVE1	PCV 电磁阀2 PCV VALVE2			雨刮控制 WIPER WASHER	空调 暖风 A/C	空调 系统 A/C	继电器 PCV R EAY	ABS	主电源 继电器 MAIN P WER R EAY			
华菱重卡 CAMC															37AH44D-22011																																												

8

警告

注意:

- 1、当给蓄电池断电时,必须先取下蓄电池正极电缆。
- 2、安装电缆时,必须先安装负极电缆。
- 3、当需要进行割焊工作时,必须将蓄电池的电源拆除。如有电喷系统,则电喷控制盒上的所有接插件均要拆除(包括电喷系统自配的接插件及CAMC配备的接插件),以防止电焊时损坏ECM。

WARNING:

- 1、WHILE CUTTING OFF POWER ,THE ANODE CABLE MUST BE TAKEN OFF FIRST .
- 2、WHILE ASSEMBLING ,THE CATHODE CABLE MUST BE ASSEMBLED FIRST .
- 3、IF WELD CUTTING NEEDED, TO AVOID ECM BEING DAMAGED, ALL CONNECTORS ON ECU MUST BE REMOVED (INCLUDING CONNECTORS BY ENGINE MANUFACTORY AND BY CAMC) .

序号 No.	件号 Part No.	数量 Quantity	名称 Name	规格 Specification	适用产品 Products Applied	备注 Remark
1	37AD-22031	12	5 安培保险 5A Fuse			
2	37AD-22032	3	7.5 安培保险 7.5A Fuse			
3	37AD-22033	13	10 安培保险 10A Fuse			
4	37AD-22034	11	15 安培保险 15A Fuse			
5	37AD-22035	1	20 安培保险 20A Fuse			
6	37A4D-22011-B	1	保险丝盒盒贴 (康明斯)-B Fuse Box Cover Paper(CUMMINS)-B		康明斯发动机系列车型 CUMMINS Engine Series	
	37A2D-22011-B	1	保险丝盒盒贴 (斯太尔)-B Fuse Box Cover Paper(STEYR)-B		斯太尔发动机系列车型 STEYR Engine Series	
	37A50D-22011	1	保险丝盒贴 (CAT C13) Fuse Box Cover Paper(CAT C13)		卡特 C13 发动机系列车型 CATER C13 Engine Series	
	37A52D-22011	1	保险丝盒贴 (CAT C9) Fuse Box Cover Paper(CAT C9)		卡特 C9 发动机系列车型 CATER C19 Engine Series	
	37AD-22011-B	1	保险丝盒盒贴 (三菱)-B Fuse Box Cover Paper(MITSUBISHI)-B		三菱发动机系列车型 MITSUBISHI Engine Series	
	37A4D-22011	1	保险丝盒盒贴 (康明斯) Fuse Box Cover Paper(CUMMINS)		康明斯发动机系列车型 CUMMINS Engine Series	
	37A33DQ1-22011	1	保险丝盒盒贴 (天然气) Fuse Box Cover Paper(Natural Gas)		天然气发动机系列车型 Natural Gas Engine Series	
	37A3D-22011-B	1	保险丝盒盒贴 (五十铃)-B Fuse Box Cover Paper(ISUZU)-B		五十铃发动机系列车型 ISUZU Engine Series	
	37B25D-22011	1	保险丝盒盒贴 (玉柴) Fuse Box Cover Paper(YUCHAI)		玉柴发动机系列车型 YUCHAI Engine Series	

保险丝盒 / FUSE BOX

37-Z

1															5															2															4														
F1	F2	F3	F4	F5	F6	F7	F8	F9	F10	F11	F12	F13	F14	F15	F16	F17	F18	F19	F20	F21	F22	F23	F24	F25	F26	F27	F28	F29	F30	F31	F32	F33	F34	F35	F36	F37	F38	F39	F40	F41	F42	F43	F44	F45	F46	F47	F48	F49	F50	F51	F52	F53	F54	F55	F56	F57	F58	F59	F60
	20A	5A	5A		20A	7.5A	15A	5A	15A			15A	15A	15A	10A	10A		10A	15A	15A			10A	5A	15A		5A	5A		10A	10A		10A		15A	15A	10A	10A	5A	5A	5A		10A	5A	7.5A	5A		10A	10A	10A			30A	15A	15A	10A	10A	5A	5A
	PCV电磁阀 PCV VALVE	仪表 METER	行程记录仪 MULAC TACHO-GRAPH		音響門窗控制 CD PLAYER P WER WINDOW	維修燈 MAINTAIN LAMP	喇叭 HORN	門窗控制 DOOR LAMP ROOM LAMP	閃光燈 FLASHER RELAY			ABS	門窗控制 POWER (LID) WINDOW	門窗控制 POWER (RID) WINDOW	左前燈 HEAD LAMP (LID) (HIGH)	右前燈 HEAD LAMP (RID) (HIGH)	空氣乾燥器 D WER TILT LAMP	工作燈 WORK LAMP R EAY	小燈 TAIL LAMP RELAY				差速器鎖開關 DIFF LOCK	發動機控制盒 ECU RELAY	ECU 繼電器 ECU RELAY		駐車開關 (牽引) SW. LOCK HOOK	門窗控制 P WER WINDOW	左前燈 HEAD LAMP (LID) (LOW)	右前燈 HEAD LAMP (RID) (LOW)		停車燈 STOP LAMP RELAY		霧燈 FOG LAMP	預熱開關 SW. HEATER BACK LAMP	翻轉 CAB TILT E XHBRAKE	儀表 METER	儀表 METER	空調系統 A/C	大燈 HEAD LAMP RELAY	音響 CD PLAYER CIG LIGHTER	起動機 ENGINE STARTER	冰箱 (選裝) REFRIGERATOR (OPT)	MULAC		駕駛室小燈 TAIL LAMP (CAB)	PCV 電磁閥1 PCV VALVE1	PCV 電磁閥2 PCV VALVE2			雨刮控制 WIPER WASHER	空調 暖風 A/C	空調系統 A/C	繼電器 PCV R EAY	ABS	主電源 繼電器 M IN P WER R EAY			
3															6															7															8														

注意:

- 当给蓄电池断电时,必须先取下蓄电池正极电缆。
- 安装电缆时,必须先安装负极电缆。
- 当需要进行割焊工作时,必须将蓄电池的电源拆除。

如有电喷系统,则电喷控制盒上的所有接插件均要拆除(包括电喷系统自配的接插件及CAMC配备的接插件),以防止电焊时损坏ECM。

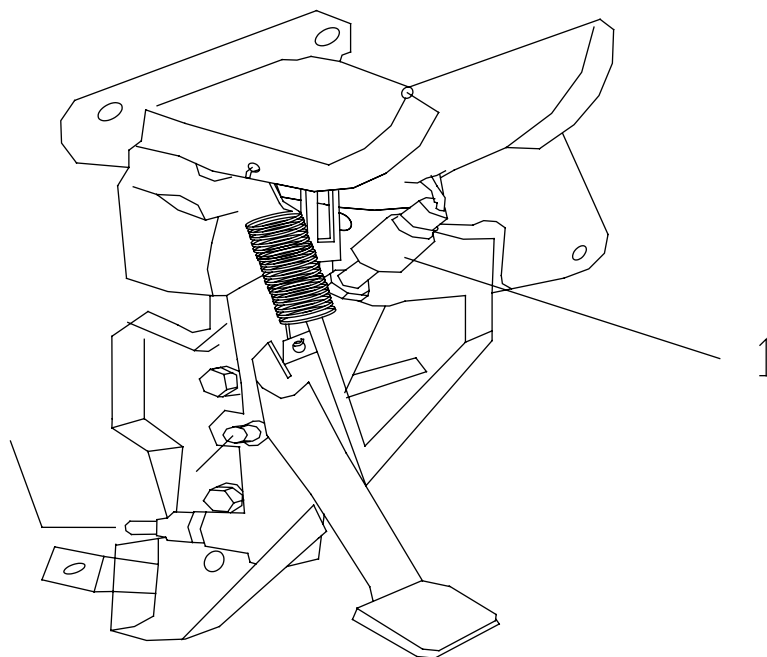
WARNING:

- WHILE CUTTING OFF POWER ,THE ANODE CABLE MUST BE TAKEN OFF FIRST .
- WHILE ASSEMBLING ,THE CATHODE CABLE MUST BE ASSEMBLED FIRST .
- IF WELD CUTTING NEEDED ,TO AVOID ECM BEING DAMAGED ,ALL CONNECTORS ON ECU MUST BE REMOVED (INCLUDING CONNECTORS BY ENGINE MANUFACTORY AND BY CAMC) .

序号 No.	件号 Part No.	数量 Quantity	名称 Name	规格 Specification	适用产品 Products Applied	备注 Remark
6	37AD-22011	1	保险丝盒盒贴 Fuse Box Cover Paper		三菱发动机系列车型 MITSUBISHI Engine Series	
	37A2D-22011	1	保险丝盒盒贴 (斯太尔) Fuse Box Cover Paper(STEYR)		斯太尔发动机系列车型 STEYR Engine Series	
	37A3D-22011	1	保险丝盒盒贴 (五十铃) Fuse Box Cover Paper(ISUZU)		五十铃发动机系列车型 ISUZU Engine Series	
	37AH53D-22011	1	保险丝盒贴 (杭发欧III) Fuse Box Cover Paper(HANGFA Euro III)		杭发欧III发动机系列车型 HANGFA Euro III Engine Series	
	37AH59D-22011	1	保险丝盒贴 (潍柴欧III) Fuse Box Cover Paper(WEICHAI Euro III)		潍柴欧III发动机系列车型 WEICHAI Euro III Engine Series	
	37AH43D-22011	1	保险丝盒贴 (ISL) Fuse Box Cover Paper(ISL)		康明斯 ISL 发动机系列车型 CUMMINS ISL Engine Series	
	37A52D-22011	1	保险丝盒贴 (CAT C9) Fuse Box Cover Paper(CAT C9)		卡特 C9 发动机系列车型 CATER C9 Engine Series	
	37A50D-22011	1	保险丝盒贴 (CAT C13) Fuse Box Cover Paper(CAT C13)		卡特 C13 发动机系列车型 CATER C13 Engine Series	
	37AH93D-22011		保险丝盒贴 (三菱欧III) Fuse Box Cover Paper(MITSUBISHI Euro III)		三菱欧III发动机系列车型 MITSUBISHI Euro III Engine Series	
7	37AD-22037	1	30 安培保险 30A Fuse		预热 Pre-Heating	
8	37AD-22013	1	断电警告标签 Power Failure Warning Label			
	37AD-22013	1	断电警告标签 Power Failure Warning Label		日野欧III、潍柴欧III、卡特 C9、杭发欧III、 康明斯 ISL、康明斯 ISD、三菱欧III、 HINO Euro III , WEICHAI Euro III , CATER C9, HANGFA Euro III , CUMMINS ISL,CUMMINS ISD, CUMMINS Euro III	

离合器开关 / CLUTCH SWITCH

37-AA



序号 No.	件号 Part No.	数量 Quantity	名称 Name	规格 Specification	适用产品 Products Applied	备注 Remark
1	37A2D-77010	1	离合器踏板开关（常开） Clutch Pedal Switch(Normally Open)		康明斯，斯太尔发动机系列 CUMMINS,STEYR Engine Series	

支架, 线夹 / BRACKET, WIRE CLIP

37-AB

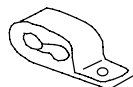
37AD-33404



37AD-33521



37AD-33418



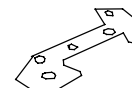
37AD-33032



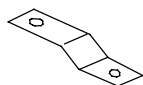
37AD-33211



37AD-34039



37AD-34013



37AD-33504



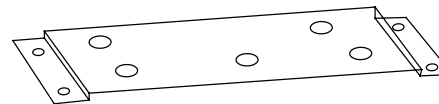
37AD-33407



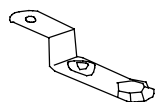
37AD-33508



37AD-34029



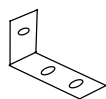
37AD-34071



37AD-34042



37AD-34003



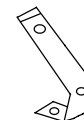
37AD-34002



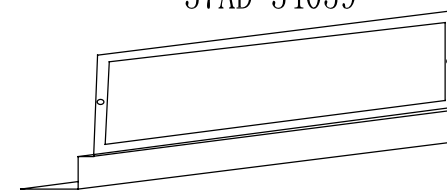
37AD-34007



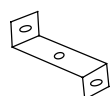
37AD-34026



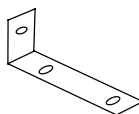
37AD-34059



37AD-34047



37AD-34036



37AD-34053



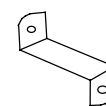
37AD-34031



37AD-34022



37AD-34036



37AD-34068



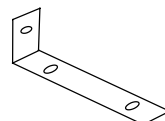
37AD-34011



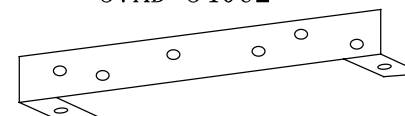
37AD-34002



37AD-34048



37AD-34062



序号 No.	件号 Part No.	数量 Quantity	名称 Name	规格 Specification	适用产品 Products Applied	备注 Remark
1	37AD-33404		线夹 Wire Clip			
2	37AD-33521		线夹 Wire Clip			
3	37AD-33418		线夹 Wire Clip			
4	37AD-33032		线夹 Wire Clip			
5	37AD-33211		线夹 Wire Clip			
6	37AD-34039		黑支架 Black Bracket			
7	37AD-34013		支架 Bracket			
8	37AD-33504		线夹 Wire Clip			
9	37AD-33407		线夹 Wire Clip			
10	37AD-33508		线夹 Wire Clip			
11	37AD-34029		气喇叭支架 Air Horn Bracket			
12	37AD-34071		支架 Bracket			
13	37AD-34042		支架 Bracket			
14	37AD-34003		支架 Bracket			

支架，线夹 / BRACKET, WIRE CLIP

37-AB

37AD-33404



37AD-33521



37AD-33418



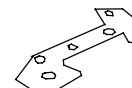
37AD-33032



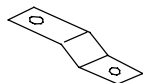
37AD-33211



37AD-34039



37AD-34013



37AD-33504



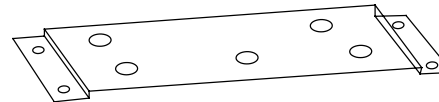
37AD-33407



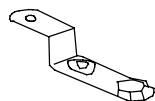
37AD-33508



37AD-34029



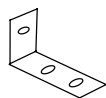
37AD-34071



37AD-34042



37AD-34003



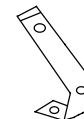
37AD-34002



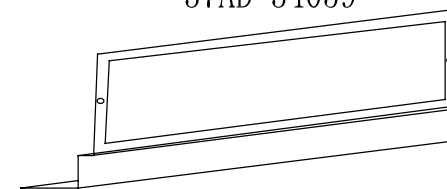
37AD-34007



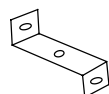
37AD-34026



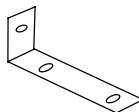
37AD-34059



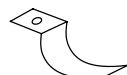
37AD-34047



37AD-34036



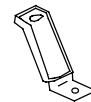
37AD-34053



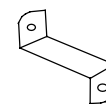
37AD-34031



37AD-34022



37AD-34036



37AD-34068



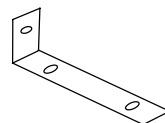
37AD-34011



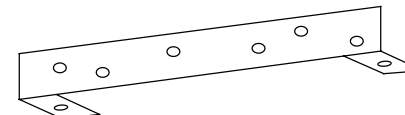
37AD-34002



37AD-34048



37AD-34062



序号 No.	件号 Part No.	数量 Quantity	名称 Name	规格 Specification	适用产品 Products Applied	备注 Remark
15	37AD-34002		支架 Bracket			
16	37AD-34007		支架 Bracket			
17	37AD-34026		支架 Bracket			
18	37AD-34047		支架 Bracket			
19	37AD-34036		支架 Bracket			
20	37AD-34053		支架 Bracket			
21	37AD-34031		支架 Bracket			
22	37AD-34022		支架 Bracket			
23	37AD-34036		支架 Bracket			
24	37AD-34059		尾灯支架 Taillamp Bracket			
25	37AD-34068		支架 Bracket			
26	37AD-34011		支架 Bracket			
27	37AD-34002		支架 Bracket			
28	37AD-34048		支架 Bracket			

支架, 线夹 / BRACKET, WIRE CLIP

37-AB

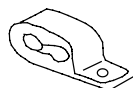
37AD-33404



37AD-33521



37AD-33418



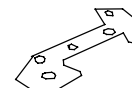
37AD-33032



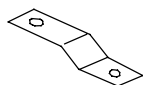
37AD-33211



37AD-34039



37AD-34013



37AD-33504



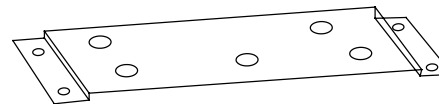
37AD-33407



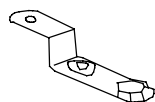
37AD-33508



37AD-34029



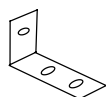
37AD-34071



37AD-34042



37AD-34003



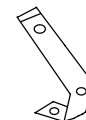
37AD-34002



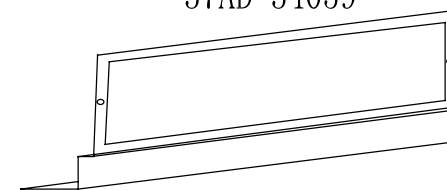
37AD-34007



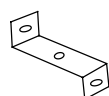
37AD-34026



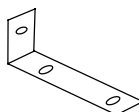
37AD-34059



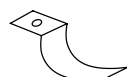
37AD-34047



37AD-34036



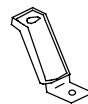
37AD-34053



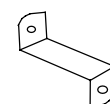
37AD-34031



37AD-34022



37AD-34036



37AD-34068



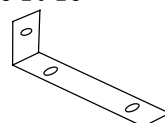
37AD-34011



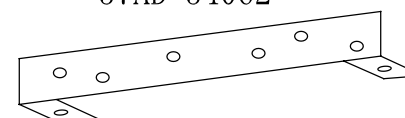
37AD-34002



37AD-34048



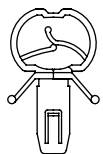
37AD-34062



序号 No.	件号 Part No.	数量 Quantity	名称 Name	规格 Specification	适用产品 Products Applied	备注 Remark
29	37AD-34062		气压传感器支架 Air Pressure Sensor Bracket			

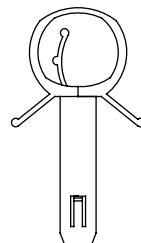
扎带，定位夹 / BAND, LOCATING CLAMP

37-AC

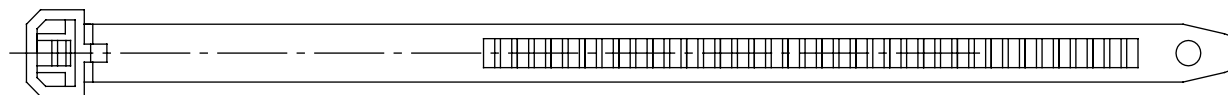


编号 / Part No.	备注 / Remark
37AD-33002	可夹管线径D4.5-D5
37AD-33003	可夹管线径D4-D5
37AD-33004	可夹管线径D4-D5
37AD-33006	可夹管线径D5

37AD-33017



NO	37AD-33007	37AD-33008	37AD-33009	37AD-33011	37AD-33012	37AD-33013	37AD-33014	37AD-33016	37AD-33018	37AD-33019
尺寸 / Size(mm)										
可夹管径 / Line Diameter	D9.5-D13.8	D9.5-D13.8	D9.5-D13.8	D9.5-D13.8	D12.5D21.2	D12.5-D21.2	D12.5-D21.2	D17.8-D27.4	D17.8-D27.4	D17.8-D27.4

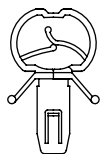


代号 / Part No.	长度 / Length
37AD-33041	130
37AD-33042	170
37AD-33043	220

序号 No.	件号 Part No.	数量 Quantity	名称 Name	规格 Specification	适用产品 Products Applied	备注 Remark
1	37AD-33002		管线夹 Line Clamp		可夹管径 4.5-5mm Line Of 4.5-5mm Diameter	
2	37AD-33003		管线夹 Line Clamp		可夹管径 4-5mm Line Of 4-5mm Diameter	
3	37AD-33004		管线夹 Line Clamp		可夹管径 4-5mm Line Of 4-5mm Diameter	
4	37AD-33006		管线夹 Line Clamp		可夹管径 5mm Line Of 5mm Diameter	
5	37AD-33007		管线夹 Line Clamp		可夹管径 9.5-13.8mm Line Of 9.5-13.8mm Diameter	
6	37AD-33008		管线夹 Line Clamp		可夹管径 9.5-13.8mm Line Of 9.5-13.8mm Diameter	
7	37AD-33009		管线夹 Line Clamp		可夹管径 9.5-13.8mm Line Of 9.5-13.8mm Diameter	
8	37AD-33010		管线夹 Line Clamp		可夹管径 9.5-13.8mm Line Of 9.5-13.8mm Diameter	
9	37AD-33011		管线夹 Line Clamp		可夹管径 9.5-13.8mm Line Of 9.5-13.8mm Diameter	
10	37AD-33012		管线夹 Line Clamp		可夹管径 12.5-21.4mm Line Of 12.5-21.4mm Diameter	
11	37AD-33013		管线夹 Line Clamp		可夹管径 12.5-21.4mm Line Of 12.5-21.4mm Diameter	
12	37AD-33014		管线夹 Line Clamp		可夹管径 12.5-21.4mm Line Of 12.5-21.4mm Diameter	
13	37AD-33015		管线夹 Line Clamp		可夹管径 15-18mm Line Of 15-18mm Diameter	
14	37AD-33016		管线夹 Line Clamp		可夹管径 15-18mm Line Of 15-18mm Diameter	

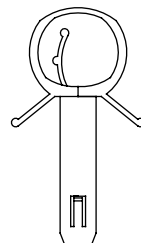
扎带，定位夹 / BAND, LOCATING CLAMP

37-AC

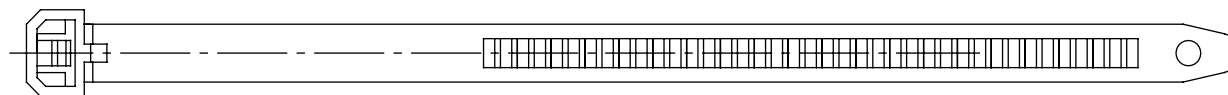


编号 / Part No.	备注 / Remark
37AD-33002	可夹管线径D4.5-D5
37AD-33003	可夹管线径D4-D5
37AD-33004	可夹管线径D4-D5
37AD-33006	可夹管线径D5

37AD-33017



NO	37AD-33007	37AD-33008	37AD-33009	37AD-33011	37AD-33012	37AD-33013	37AD-33014	37AD-33016	37AD-33018	37AD-33019
尺寸 / Size(mm)										
可夹管径 / Line Diameter	D9.5-D13.8	D9.5-D13.8	D9.5-D13.8	D9.5-D13.8	D12.5D21.2	D12.5-D21.2	D12.5-D21.2	D17.8-D27.4	D17.8-D27.4	D17.8-D27.4

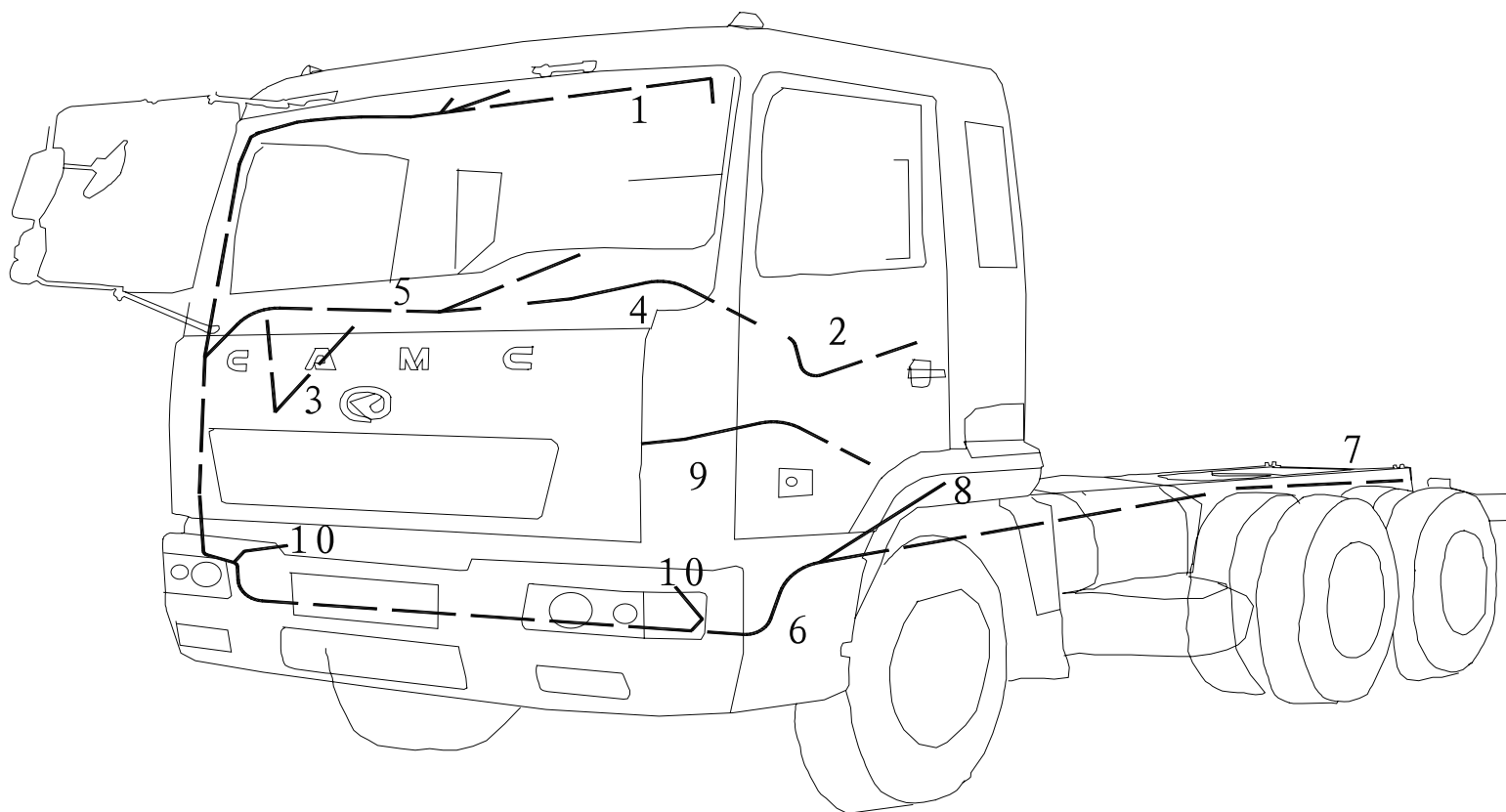


代号 / Part No.	长度 / Length
37AD-33041	130
37AD-33042	170
37AD-33043	220

序号 No.	件号 Part No.	数量 Quantity	名称 Name	规格 Specification	适用产品 Products Applied	备注 Remark
15	37AD-33017		管线夹 Line Clamp		可夹管径 15-18mm Line Of 15-18mm Diameter	
16	37AD-33018		管线夹 Line Clamp		可夹管径 17.8-27.4mm Line Of 17.8-27.4mm Diameter	
17	37AD-33019		管线夹 Line Clamp		可夹管径 17.8-27.4mm Line Of 17.8-27.4mm Diameter	
18	37AD-33041		扎带 Band		长度 130mm 130mm Length	
19	37AD-33042		扎带 Band		长度 170mm 170mm Length	
20	37AD-33043		扎带 Band		长度 220mm 220mm Length	

整车线束 / COMPLETE VEHICLE WIRE HARNESS

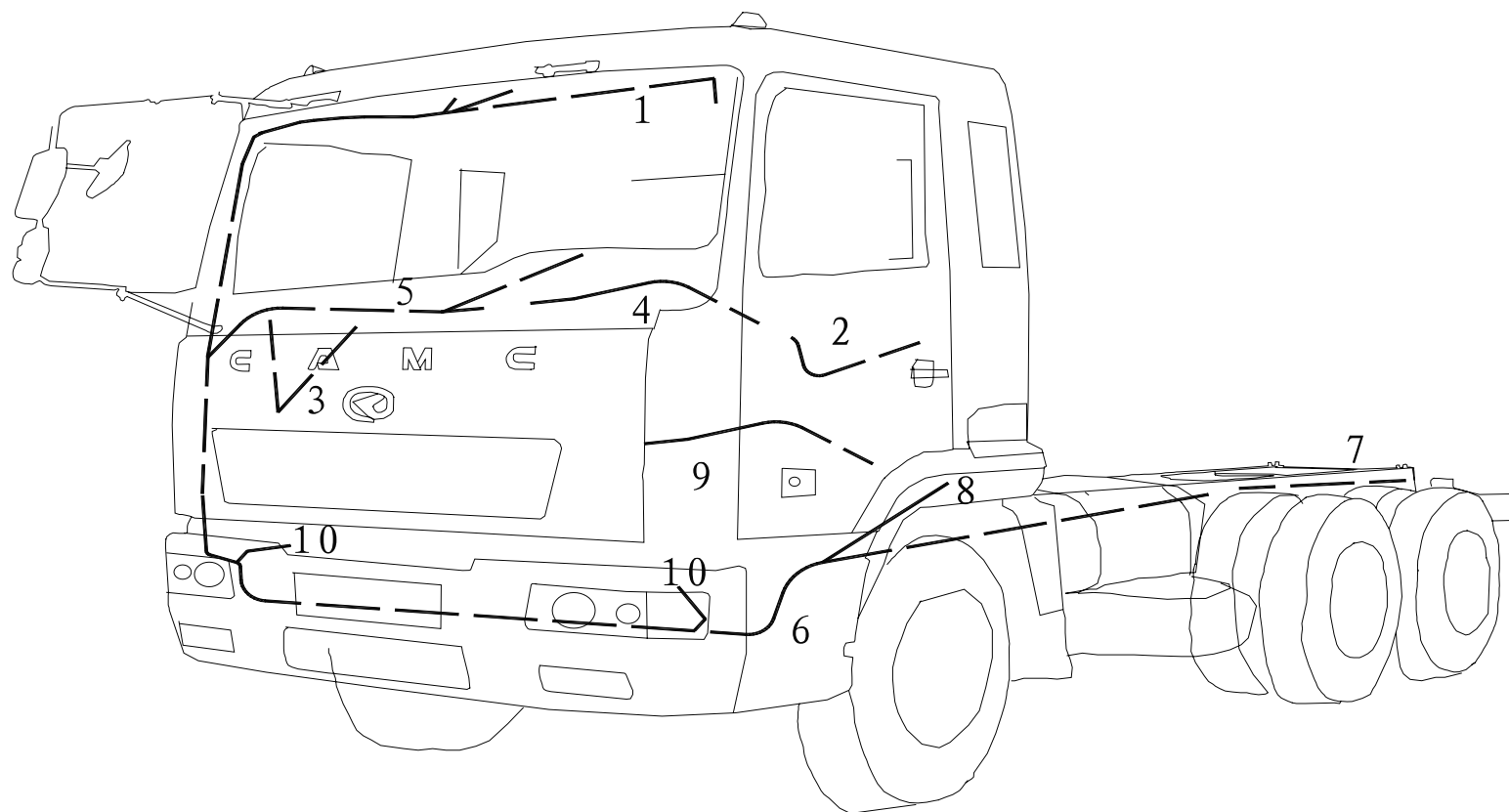
37-AD



序号 No.	件号 Part No.	数量 Quantity	名称 Name	规格 Specification	适用产品 Products Applied	备注 Remark
1	37AD-24060	1	顶棚线束 Roof Wire Harness		平顶车 Flat Roof Vehicle	
	37AD-24560	1	顶棚线束 Roof Wire Harness		高顶车 High Roof Vehicle	
	37B25D-24060	1	窄车顶篷线束 Narrow Cab Roof Wire Harness		窄体车 Narrow Cab	
2	37AD-24030	1	左车门线束 Left Door Wire Harness		通用 All	
3	37AD-24040	1	右车门线束 Right Door Wire Harness		通用 All	
4	37AD-24021	1	仪表线束 Instrument Wire Harness		非 AH 车型 Except AH Model	
5	37A4D-24010-B	1	驾驶室线束 (康明斯)-B Cab Wire Harness(CUMMINS)-B		康明斯发动机驾驶室线束 CUMMINS Engine Cab Wire Harness	
	37A4D-24010-C	1	驾驶室线束 -C Cab Wire Harness-C		康明斯发动机驾驶室线束 CUMMINS Engine Cab Wire Harness	
	37A2D-24010-B	1	驾驶室线束 (斯太尔)-B Cab Wire Harness(STEYR)-B		斯太尔发动机驾驶室线束 STEYR Engine Cab Wire Harness	
	37A23D-24010	1	驾驶室线束 (康明斯 M 系列) Cab Wire Harness(CUMMINS Series M)		康明斯 M 系列驾驶室线束 CUMMINS M Series Cab Wire Harness	
	37AD-24010	1	驾驶室线束 (三菱) Cab Wire Harness(MITSUBISHI)		三菱系列发动机车型 MITSUBISHI Engine Series	
	37AD-24010-B	1	驾驶室线束 (三菱)-B Cab Wire Harness(MITSUBISHI)-B		三菱系列发动机车型 MITSUBISHI Engine Series	
	37A3D-24010	1	驾驶室线束 (五十铃) Cab Wire Harness(ISUZU)		五十铃系列发动机车型 ISUZU Engine Series	
	37A3D-24010-B	1	驾驶室线束 (五十铃)-B Cab Wire Harness(ISUZU)-B		五十铃系列发动机车型 ISUZU Engine Series	

整车线束 / COMPLETE VEHICLE WIRE HARNESS

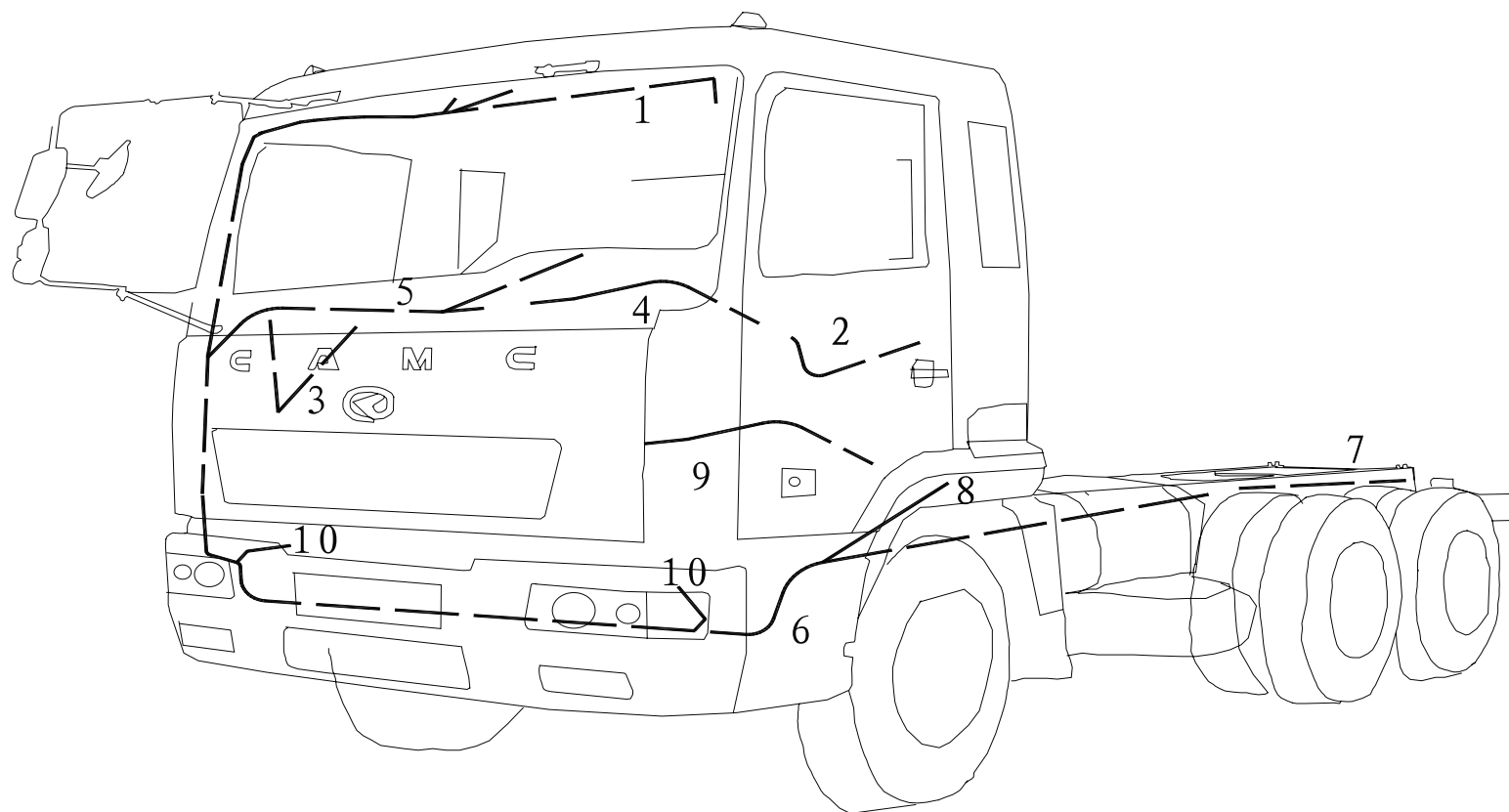
37-AD



序号 No.	件号 Part No.	数量 Quantity	名称 Name	规格 Specification	适用产品 Products Applied	备注 Remark
5	37AH4D-24010	1	AH 驾驶室线束 (康明斯) AH Cab Wire Harness(CUMMINS)		康明斯 AH 车型驾驶室线束 CUMMINS AH Model Driving Cab Wire Harness	
	37AH44D-24010	1	AH 驾驶室线束 (日野欧 3) AH Cab Wire Harness(HINO Euro III)		日野欧 3 驾驶室线束 HINO Euro III Cab Wire Harness	
	37AH2D-24010	1	AH 驾驶室线束 (斯太尔) AH Cab Wire Harness(STEYR)		斯太尔 AH 车型驾驶室线束 STEYR AH Model Cab Wire Harness	
	37AH50D-24010	1	CAT 驾驶室线束 CAT Cab Wire Harness		CAT C13 发动机驾驶室线束 CAT C13 Engine Cab Wire Harness	
	37AH52D-24010	1	CAT 驾驶室线束 (C9) CAT Cab Wire Harness(C9)		CAT C9 发动机驾驶室线束 CAT C9 Engine Cab Wire Harness	
	37B2DQ-24010	1	驾驶室线束 (杭发窄车) Cab Wire Harness (Narrow Cab Truck Equiped With Engine Made By Hangzhou Engine Factory)		杭发窄车驾驶室线束 Cab Wire Harness Of Narrow Cab Truck Equiped With Engine Made By Hangzhou Engine Factory	
	37A33DQ1-24010	1	驾驶室线束 (康明斯天然气) Cab Wire Harness (Truck Equiped With CUMMINS Natural Gas Engine)		康明斯天然气驾驶室线束 Cab Wire Harness Of Truck Equiped With CUMMINS Natural Gas Engine	
	37A28D-24010	1	驾驶室线束 (玉柴宽车) Cab Wire Harness(Wide Cab Truck Equiped With Engine Made By YUCHAI Engine Factory)		玉柴宽车驾驶室线束 Cab Wire Harness Of Wide Cab Truck Equiped With Engine Made By YUCHAI Engine Factory	
	37B25D-24010	1	驾驶室线束 (玉柴窄车) Cab Wire Harness (Narrow Cab Truck Equiped With Engine Made By YUCHAI Engine Factory)		玉柴窄车驾驶室线束 Cab Wire Harness Of Narrow Cab Truck Equiped With Engine Made By YUCHAI Engine Factory	
	37A4D-24010	1	驾驶室线束 (康明斯) Cab Wire Harness (CUMMINS)		2005 年 6 月 30 日前生产的康明斯驾驶室线束 Cab Wire Harness (CUMMINS)Produced Before June 30th, 2005	
37A2D-24010	1	驾驶室线束 (斯太尔) Cab Wire Harness(STEYR)		2005 年 6 月 30 日前生产的斯太尔驾驶室线束 Cab Wire Harness(STEYR) Produced Before June 30th, 2005		

整车线束 / COMPLETE VEHICLE WIRE HARNESS

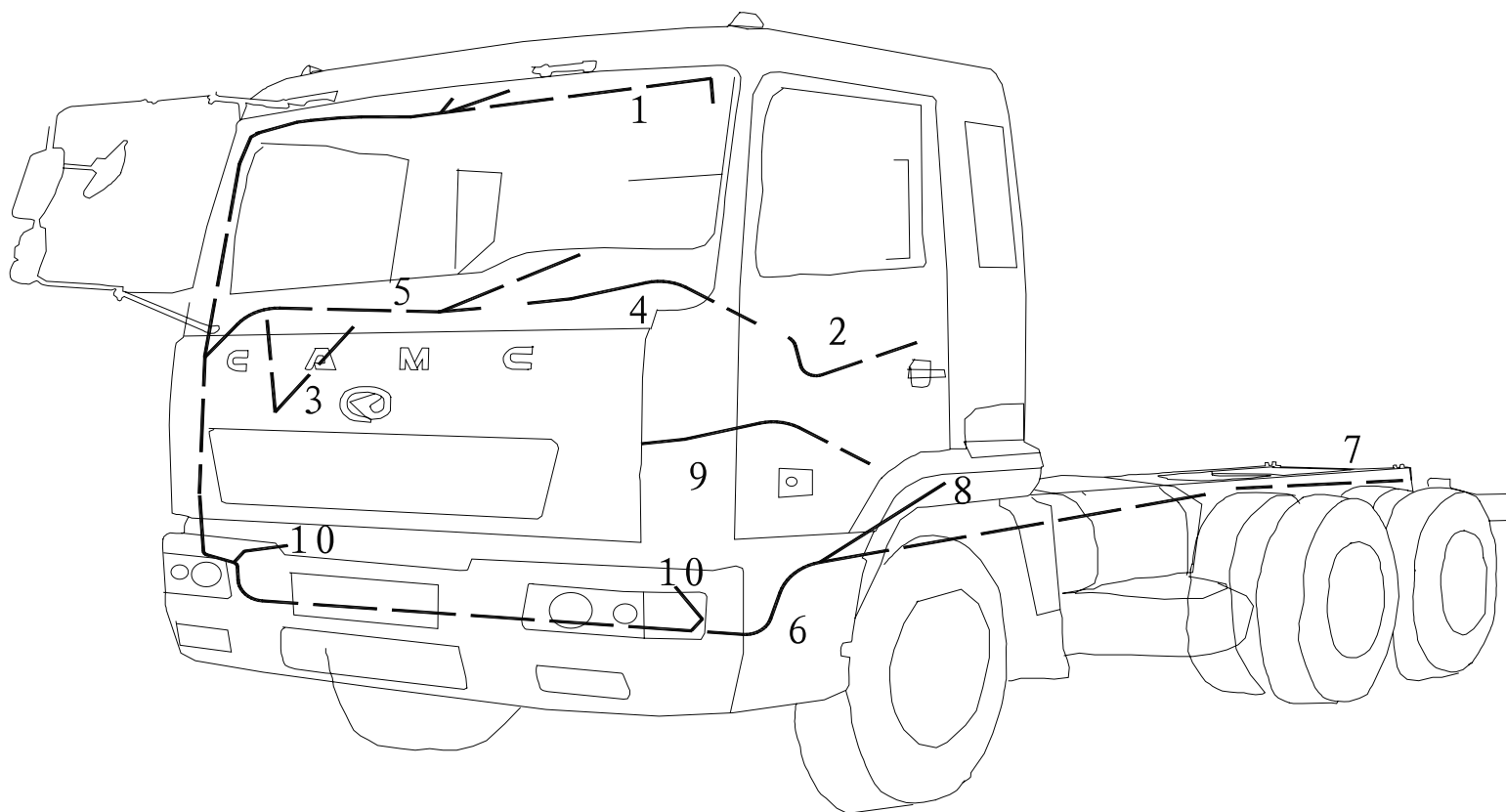
37-AD



序号 No.	件号 Part No.	数量 Quantity	名称 Name	规格 Specification	适用产品 Products Applied	备注 Remark
5	37A4D-24010-X	1	康明斯驾驶室线束 (维修) Cab Wire Harness Of The Truck Equiped With CUMMINS Engine (Service)		2005年6月30日前生产的康明斯驾驶室线束 Cab Wire Harness Of The Truck Equiped With CUMMINS Engine Produced Before June 30th, 2005	
	37B35D-24010	1	窄车驾驶室线束 (康明斯B) Cab Wire Harness Of Narrow Cab Truck (CUMMINS B)		康明斯B系列驾驶室线束 Cab Wire Harness Of The Truck Equiped With CUMMINS Series B Engine	
	37AH52D-24010	1	CAT 驾驶室线束 (C9) CAT Cab Wire Harness(C9)		卡特 C9 发动机车型 CATER C9 Engine Model	
	37AH53D-24010	1	杭发欧III驾驶室线束 HANGFA Euro III Cab Wire Harness		杭发欧III发动机车型 HANGFA Euro III Engine Model	
	37AH43D-24010	1	ISL 驾驶室线束 (CM2150C) ISL Cab Wire Harness(CM2150C)		康明斯 ISLe 搅拌车型 CUMMINS ISLe Mixer Model	
	37AH50D-24010	1	CAT 驾驶室线束 (C13) CAT Cab Wire Harness(C13)		卡特 C13 发动机车型 CATER C13 Engine Model	
	37AH93D-24010	1	驾驶室线束 (三菱欧III) Cab Wire Harness(MITSUBISHI Euro III)		三菱欧III发动机车型 MITSUBISHI Euro III Engine Model	
	37AH59D-24010	1	潍柴欧III驾驶室线束 WEICHA I Euro III Cab Wire Harness		潍柴欧III车型 WEICHA I Euro III Model	

整车线束 / COMPLETE VEHICLE WIRE HARNESS

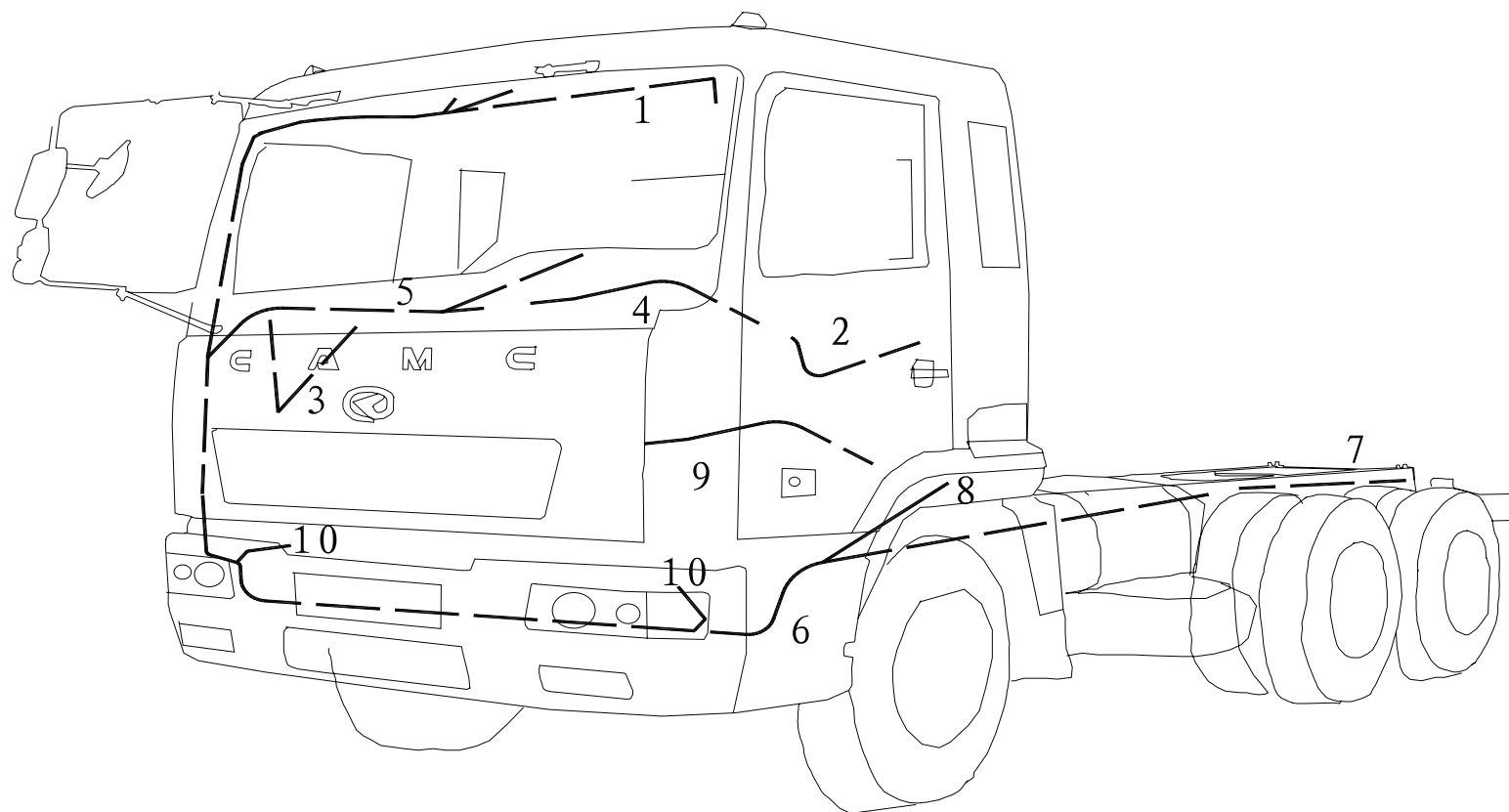
37-AD



序号 No.	件号 Part No.	数量 Quantity	名称 Name	规格 Specification	适用产品 Products Applied	备注 Remark
6	37A4D-24101-B	1	车架线束 (康明斯)-B Frame Wire Harness(CUMMINS)-B		适用于康明斯搅拌、自卸、5200 货车 Mixer, Dump Truck And 5200 Truck Equipped With CUMMINS Engine	
	37A4DQ-24101-B	1	牵引车车架线束 (康明斯)-B Tractor Frame Wire Harness(CUMMINS)-B		适用于康明斯牵引车 Tractor Equipped With CUMMINS Engine	
	37A9DP5-24101-B	1	车架线束 (康明斯 4000)-B Frame Wire Harness(CUMMINS 4000)-B		适用于康明斯 4000 的四桥车 4-Axle Vehicle Equipped With CUMMINS 4000 Engine	
	37A4DP4-24101-B	1	车架线束 (康明斯 3370、4605)-B Frame Wire Harness(CUMMINS 3370,4605)-B		适用于康明斯 3370 和 4605 的四桥车 4-Axle Vehicle Equipped With CUMMINS 3370,4000 Engine	
	37A23DQ-24101	1	牵引车车架线束 (康明斯 M 系列) Tractor Frame Wire Harness(CUMMINS M Series)		康明斯 M 系列牵引车车架线束 Wire Harness Equipped With CUMMINS M Series Engine	
	37A23D-24101	1	车架线束 (康明斯 M 系列) Frame Wire Harness(CUMMINS M Series)		康明斯 M 系列搅拌车, 自卸车架线束 Frame Wire Harness Of Mixer And Dump Truck Equipped With CUMMINS M Series Engine	
	37A2D-24101-B	1	车架线束 (斯太尔)-B Frame Wire Harness(STEYR)-B		适用于斯太尔搅拌、自卸、5200 货车 Mixer, Dump Truck And 5200 Van Equipped With STEYR Engine	
	37A2DQ-24101-B	1	牵引车车架线束 (斯太尔)-B Tractor Frame Wire Harness(STEYR)-B		适用于斯太尔牵引 Tractor Equipped With STEYR Engine	
	37A6DP5-24101-B	1	车架线束 (斯太尔 4000)-B Frame Wire Harness(STEYR 4000)-B		适用于斯太尔 4000 四桥车型 4-Axle Vehicle Equipped With STEYR 4000 Engine	

整车线束 / COMPLETE VEHICLE WIRE HARNESS

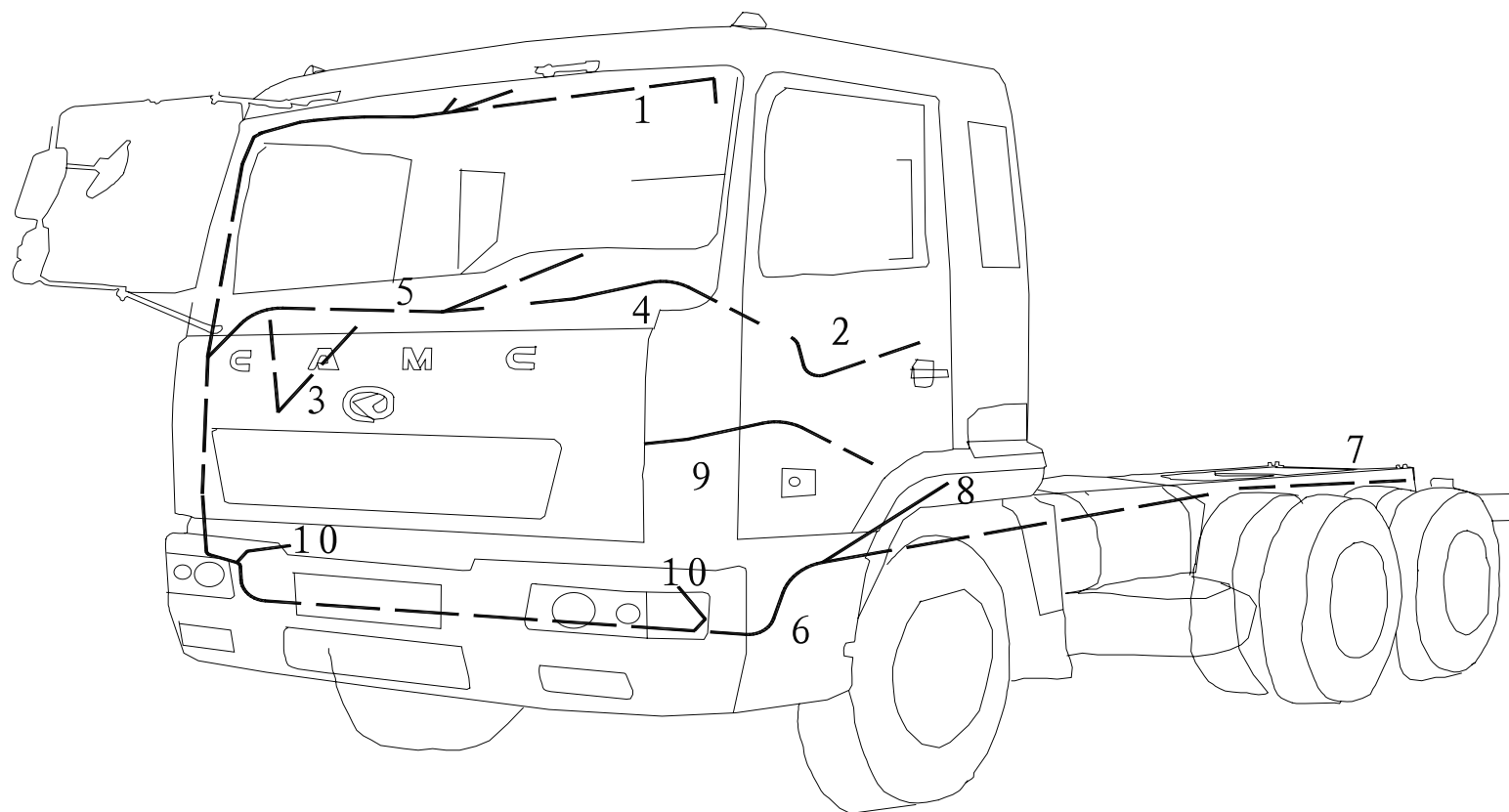
37-AD



序号 No.	件号 Part No.	数量 Quantity	名称 Name	规格 Specification	适用产品 Products Applied	备注 Remark
6	37A6DP3-24102-B	1	车架线束 (斯太尔 3370、4605) -B Frame Wire Harness(STEYR 3370-4605)-B		适用于斯太尔 3370 和 4605 四桥车型 4-Axle Vehicle Equiped With STEYR 3370,4605 Engine	
	37AH50DQ-24101	1	CAT 牵引车车架线束 (C13) CAT Tractor Frame Wire Harness(C13)		C13 牵引车车架线束 Tractor Frame Wire Harness(C13)	
	37AHDP4-24101	1	AH3370 车架线束 (三菱) AH3370 Frame Wire Harness(Mitsubishi)		AH 车型 3370 轴距车架线束 (三菱) Model AH Wheel Base 3370 Frame Wire Harness(Mitsubishi)	
	37AH16DQ-24101	1	车架线束 (日野) Frame Wire Harness(HINO)		对应 AH 车型线束 AH Model Wire Harness	
	37AH23DQ3-24101	1	AH3370 车架线束 (M11) AH3370 Frame Wire Harness(M11)		对应 AH 车型线束 AH Model Wire Harness	
	37AH44DP3-24101	1	AH3370 车架线束 (日野欧 3) AH3370 Frame Wire Harness(HINO EU III)		对应 AH 车型线束 AH Model Wire Harness	
	37AH6DP3-24101	1	AH3370 车架线束 (斯太尔) AH3370 Frame Wire Harness(STEYR)		对应 AH 车型线束 AH Model Wire Harness	
	37AH6DP5-24101	1	AH4000 车架线束 (斯太尔) AH4000 Frame Wire Harness(STEYR)		对应 AH 车型线束 AH Model Wire Harness	
	37AH23D-24101	1	AH 车架线束 (M11) AH Frame Wire Harness(M11)		对应 AH 车型线束 AH Model Wire Harness	
	37AH44D-24101	1	AH 车架线束 (日野欧 3) AH Frame Wire Harness(HINO EU III)		对应 AH 车型线束 AH Model Wire Harness	
	37AHD-24101	1	AH 车架线束 (三菱) AH Frame Wire Harness(MITSUBISHI)		对应 AH 车型线束 AH Model Wire Harness	
	37AHDQ-24101	1	AH 车架线束 (三菱牵引) AH Frame Wire Harness(MITSUBISHI Tractor)		对应 AH 车型线束 AH Model Wire Harness	
	37AH2D-24501	1	AH 车架线束 (斯太尔) AH Frame Wire Harness(STEYR)		对应 AH 车型线束 AH Model Wire Harness	
37AH2DP3-24501	1	AH 车架线束 (斯太尔 AH4605) AH Frame Wire Harness(STEYR AH4605)		对应 AH 车型线束 AH Model Wire Harness		

整车线束 / COMPLETE VEHICLE WIRE HARNESS

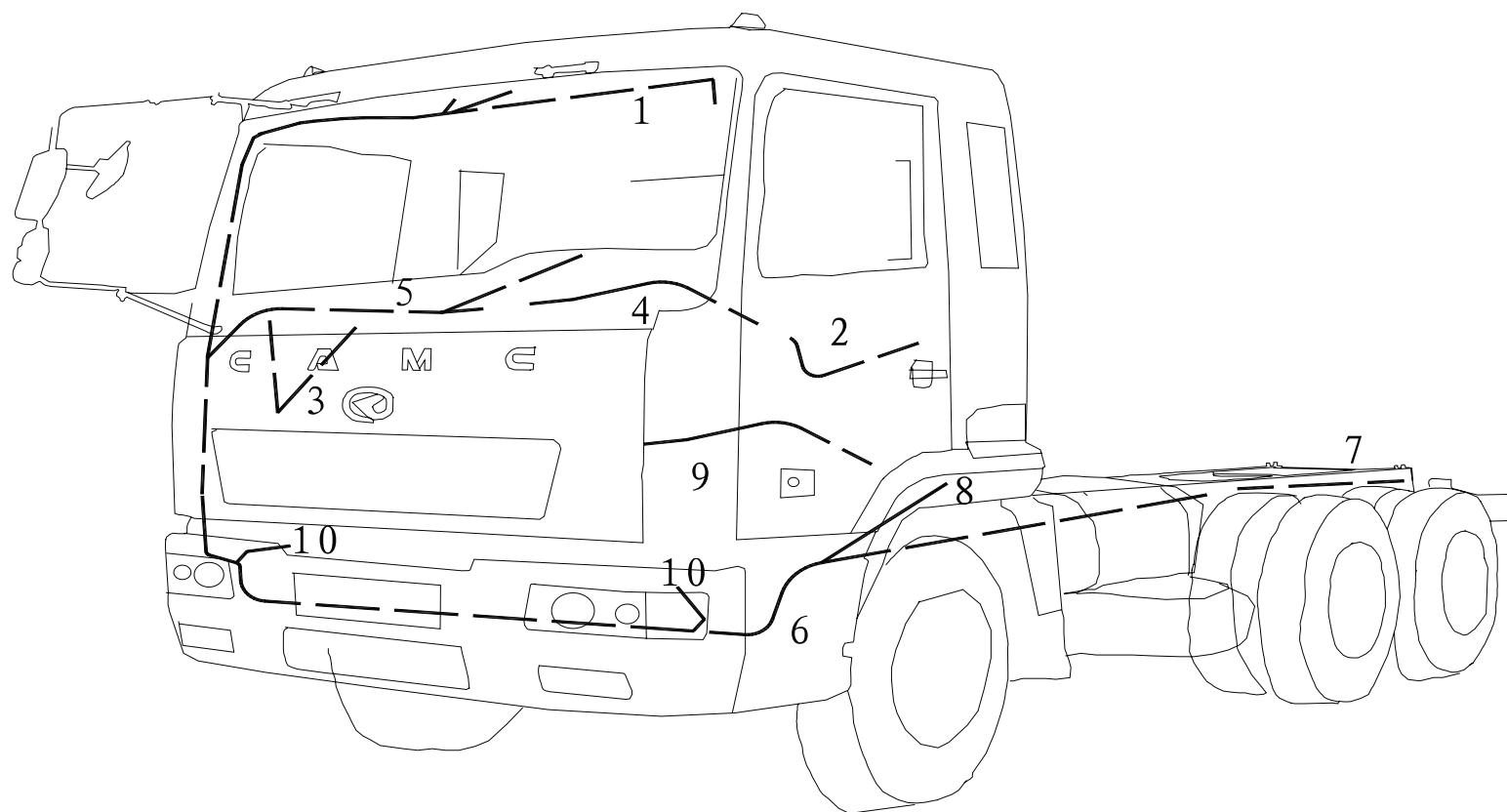
37-AD



序号 No.	件号 Part No.	数量 Quantity	名称 Name	规格 Specification	适用产品 Products Applied	备注 Remark
6	37AH3D-254101	1	AH 车架线束 (五十铃) AH Frame Wire Harness(ISUZU)		对应 AH 车型线束 AH Model Wire Harness	
	37AH4D-24101	1	AH 车架线束 (康明斯) AH Frame Wire Harness(CUMMINS)		对应 AH 车型线束 AH Model Wire Harness	
	37AH16D-24101	1	AH 车架线束 (日野) AH Frame Wire Harness(HINO)		对应 AH 车型线束 AH Model Wire Harness	
	37AH4D-24301	1	AH 搅拌车车架线束 (康明斯) AH Mixer Frame Wire Harness(CUMMINS)		对应 AH 车型线束 AH Model Wire Harness	
	37AH23DQ-24101	1	AH 牵引车车架线束 (M11) AH Tractor Frame Wire Harness(M11)		对应 AH 车型线束 AH Model Wire Harness	
	37AH4DQ-24101	1	AH 牵引车车架线束 (康明斯) AH Tractor Frame Wire Harness(CUMMINS)		对应 AH 车型线束 AH Model Wire Harness	
	37AH2DQ-24101	1	AH 牵引车车架线束 (斯太尔) AH Tractor Frame Wire Harness(STEYR)		对应 AH 车型线束 AH Model Wire Harness	
	37AH4DP5-24101	1	AH 四桥车车架线束 (康明斯 AH4000) AH 4-Axle Vehicle Frame Wire Harness(CUMMINS AH4000)		对应 AH 车型线束 AH Model Wire Harness	
	37AH4DP3-24101	1	AH 四桥车车架线束 (康明斯 AH4605) AH 4-Axle Vehicle Frame Wire Harness (CUMMINS AH4605)		对应 AH 车型线束 AH Model Wire Harness	
	37AH4DP3-24501	1	AH 四桥车架线束 (康明斯 AH3370) AH 4-Axle Vehicle Frame Wire Harness (CUMMINS AH3370)		对应 AH 车型线束 AH Model Wire Harness	
	37AH3DP3-24101	1	AH 四桥车架线束 (五十铃 4605) AH 4-Axle Vehicle Frame Wire Harness (ISUZU 4605)		对应 AH 车型线束 AH Model Wire Harness	
	37AH3DP4-24101	1	AH 四桥车架线束 (五十铃 3370) AH 4-Axle Vehicle Frame Wire Harness (ISUZU 3370)		对应 AH 车型线束 AH Model Wire Harness	
37AH4DP3-24301	1	AH 四桥搅拌车架线束 (康明斯 AH3370) AH 4-Axle Mixer Frame Wire Harness (CUMMINS AH3370)		对应 AH 车型线束 AH Model Wire Harness		

整车线束 / COMPLETE VEHICLE WIRE HARNESS

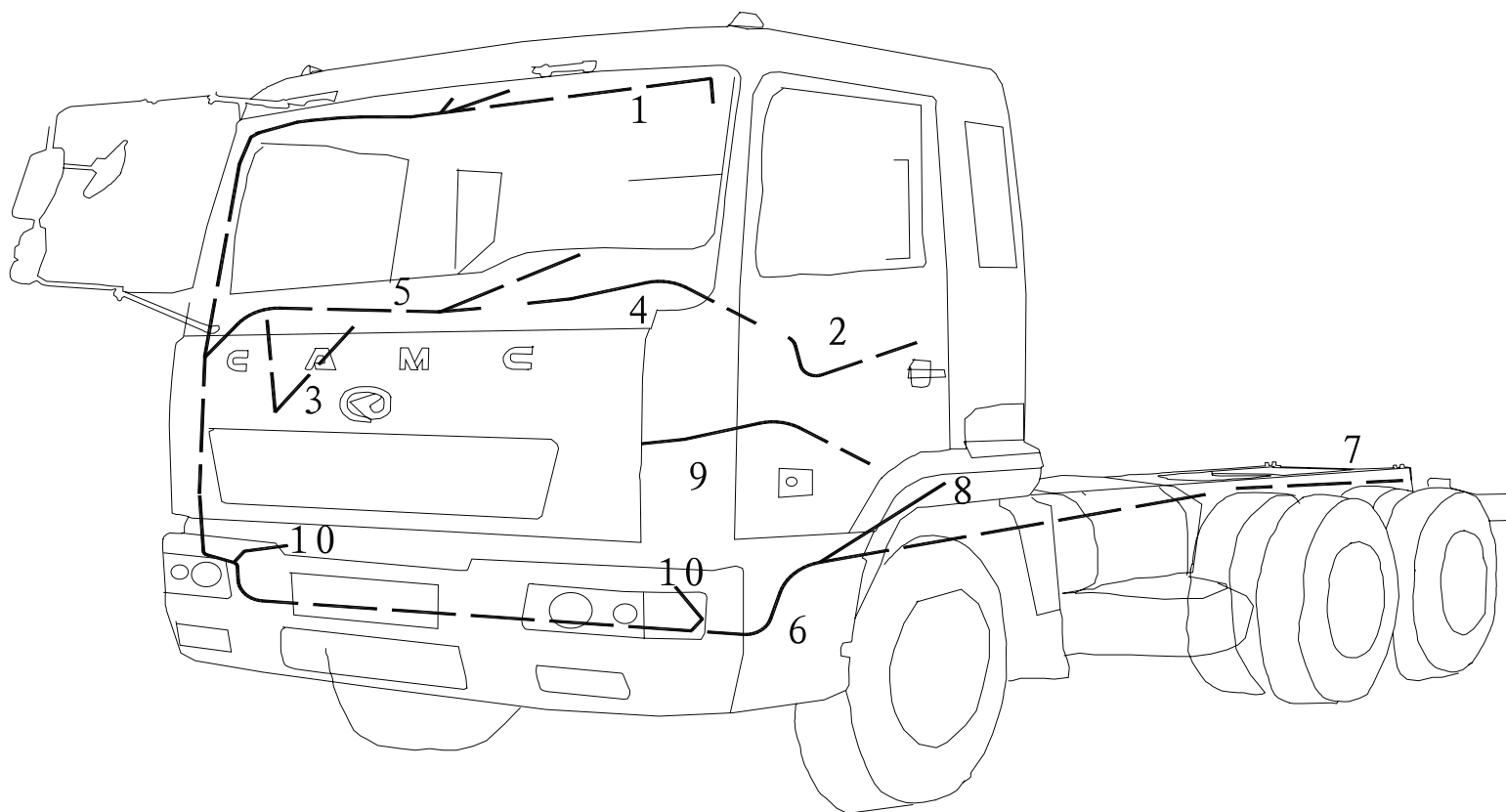
37-AD



序号 No.	件号 Part No.	数量 Quantity	名称 Name	规格 Specification	适用产品 Products Applied	备注 Remark
6	37AH52DP4-24101	1	CAT 车架线束 (C9 3370) CAT Frame Wire Harness(C9 3370)			
	37AH52D-24101	1	CAT 车架线束 (C9) CAT Frame Wire Harness(C9)			
	37A23DP3-24101	1	车架线束 (康明斯 M 系列 3370、4605) Frame Wire Harness (CUMMINS M Series 3370,4605)			
	37AD-24101	1	车架线束 Frame Wire Harness		三菱 2005 年 6 月 30 日前生产的车架线束 Frame Wire Harness Produced By MITSUBISHI Before June 30th,2005	
	37A16D-24101	1	车架线束 (日野) Frame Wire Harness(HINO)			
	37AD-24101-B	1	车架线束 (三菱)-B Frame Wire Harness(MITSUBISHI)-B			
	37A2D-24101	1	车架线束 (斯太尔) Frame Wire Harness(STEYR)		斯太尔 2005 年 6 月 30 日前生产的车架线束 Frame Wire Harness Produced By STEYR Before June 30th,2005	
	37A3D-24101-B	1	车架线束 (五十铃)-B Frame Wire Harness(ISUZU)-B			
	37A3DP3-24101-B	1	车架线束 (五十铃 3370、4605)-B Frame Wire Harness(ISUZU 3370,4605)-B			
	37A28D-24101	1	车架线束 (玉柴宽车) Frame Wire Harness(Wide Cab Truck Equiped With Engine Made By YUCHAI Engine Factory)			
	37B25D-24101	1	车架线束 (玉柴窄车) Frame Wire Harness(Narrow Cab Truck Equiped With Engine Made By YUCHAI Engine Factory)			
	37B25DP5-24101	1	车架线束 (玉柴窄车) Frame Wire Harness(Narrow Cab Truck Equiped With Engine Made By YUCHAI Engine Factory)			

整车线束 / COMPLETE VEHICLE WIRE HARNESS

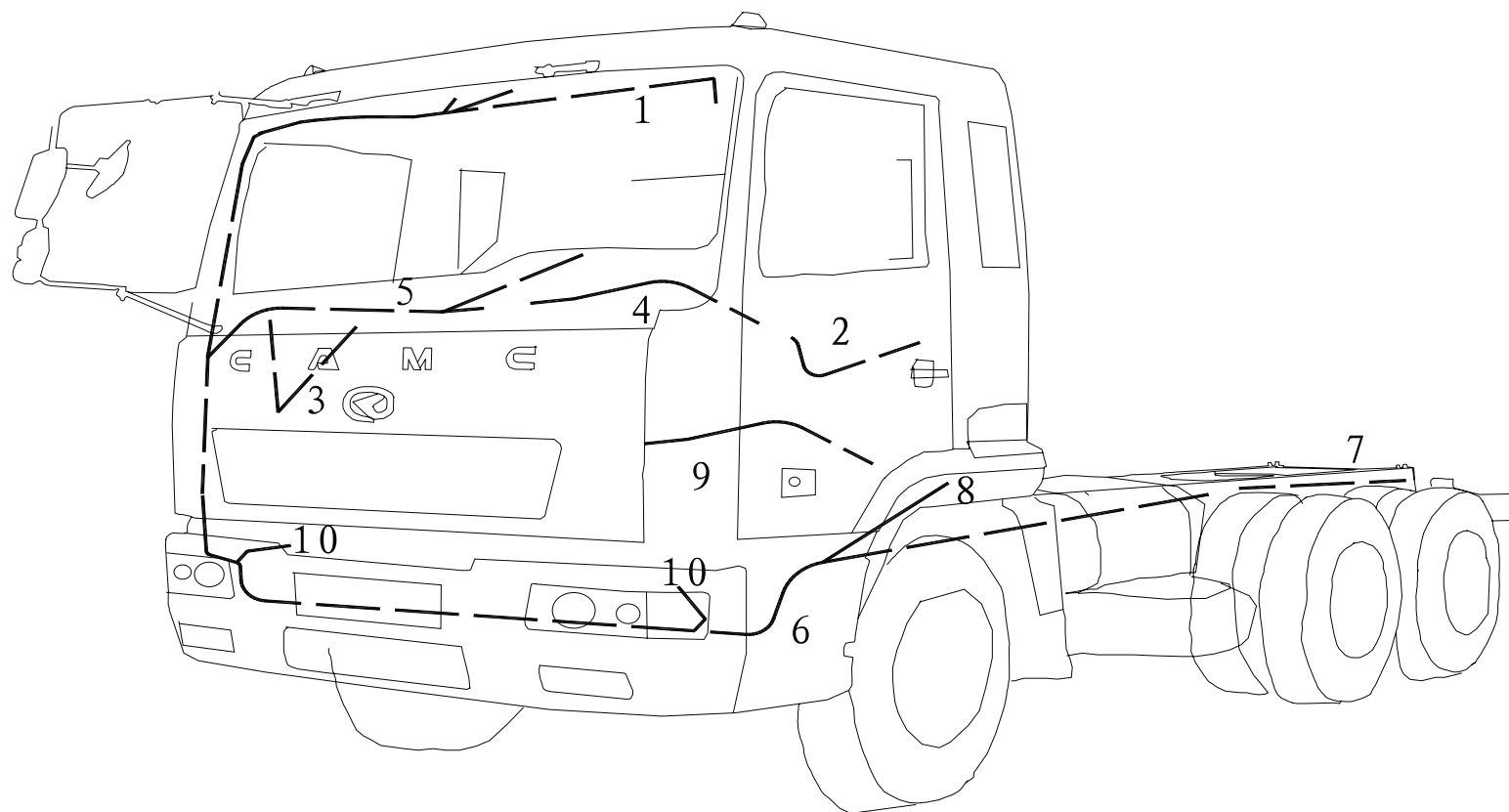
37-AD



序号 No.	件号 Part No.	数量 Quantity	名称 Name	规格 Specification	适用产品 Products Applied	备注 Remark
6	37B2D-24101	1	车架线束 (杭发窄车) Frame Wire Harness (Narrow Cab Truck Equiped With Engine Made By Hangzhou Engine Factory)			
	37B35D-24101	1	车架线束 (康 B) Frame Wire Harness(CUMMINS B)			
	37A4D-24101	1	车架线束 (康明斯) Frame Wire Harness(CUMMINS)		康明斯 2005 年 6 月 30 日前生产的车架线束 Frame Wire Harness Produced By CUMMINS Before June 30th,2005	
	37A9DP5-24101	1	车架线束 (康明斯) Frame Wire Harness(CUMMINS)		康明斯 2005 年 6 月 30 日前生产的车架线束 Frame Wire Harness Produced By CUMMINS Before June 30th,2005	
	37A3D-24101	1	车架线束 (五十铃) Frame Wire Harness(ISUZU)		康明斯 2005 年 6 月 30 日前生产的车架线束 Frame Wire Harness Produced By CUMMINS Before June 30th,2005	
	3737A4DP-24101-B	1	货车车架线束 (康明斯)-B Truck Frame Wire Harness (CUMMINS)-B			
	37A2DP-24101-B	1	货车车架线束 (斯太尔)-B Truck Frame Wire Harness (STEYR)-B			
	37A4D-24101-X	1	康明斯车架线束 (维修) Frame Wire Harness Of The Truck Equiped With CUMMINS Engine (Service)		2005 年 6 月 30 日前生产的线束 Wire Harness Produced Before June 30th,2005	
	37A4DQ-24101-X	1	康明斯牵引车车架线束 (维修) Tractor Frame Wire Harness Equiped With CUMMINS Engine (Service)		2005 年 6 月 30 日前生产的线束 Wire Harness Produced Before June 30th,2005	
	37EH2DQ-24101	1	欧款斯太尔牵引车车架线束 Tractor Frame Wire Harness Equiped With Europe Model STEYR Engine		对应欧款车型线束 Europe Model Wire Harness	
	37ADQ-24101	1	牵引车车架线束 Tractor Frame Wire Harness		2005 年 6 月 30 日前生产的线束 Wire Harness Produced Before June 30th,2005	
	37B2DQ-24101	1	牵引车车架线束 (杭发窄车) Tractor Frame Wire Harness (Narrow Cab Truck Equiped With Engine Made By Hangzhou Engine Factory)			

整车线束 / COMPLETE VEHICLE WIRE HARNESS

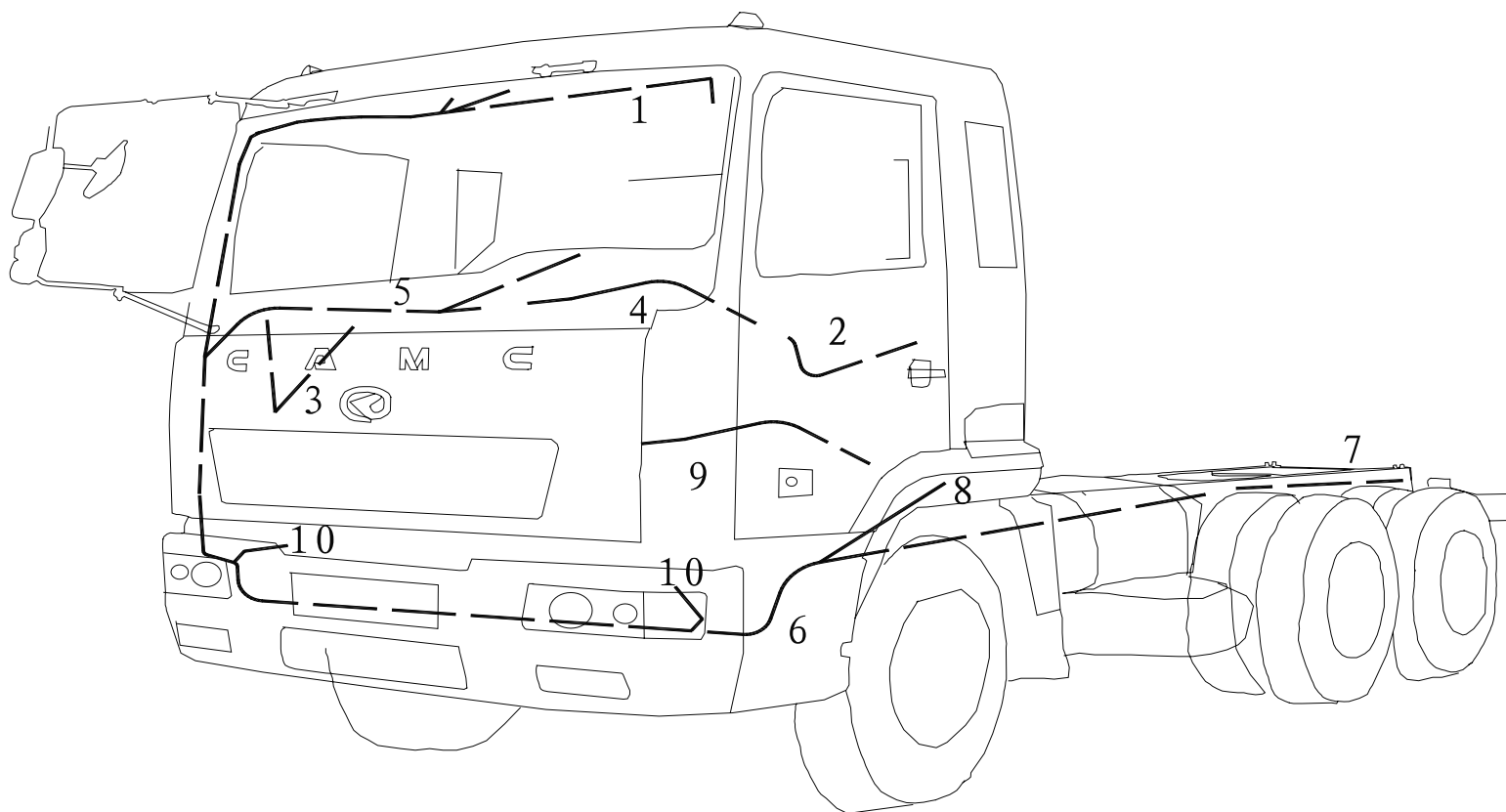
37-AD



序号 No.	件号 Part No.	数量 Quantity	名称 Name	规格 Specification	适用产品 Products Applied	备注 Remark
6	37A4DQ-24101	1	牵引车车架线束 (康明斯) Tractor Frame Wire Harness (CUMMINS)		2005年6月30日前生产的线束 Wire Harness Produced Before June 30th,2005	
	37A33DQ1-24101	1	牵引车车架线束 (康明斯天然气) Tractor Frame Wire Harness (CUMMINS Natural Gas)			
	37A16DQ-24101	1	牵引车车架线束 (日野) Tractor Frame Wire Harness (HINO)			
	37AH44DQ-24101	1	牵引车车架线束 (日野欧3) Tractor Frame Wire Harness (HINO EU III)			
	37ADQ-24101-B	1	牵引车车架线束 (三菱) Tractor Frame Wire Harness (MITSUBISHI)			
	37A2DQ-24101	1	牵引车车架线束 (斯太尔) Tractor Frame Wire Harness (STEYR)		2005年6月30日前生产的线束 Wire Harness Produced Before June 30th,2005	
	37A3DQ-24101	1	牵引车车架线束 (五十铃) Tractor Frame Wire Harness (ISUZU)		2005年6月30日前生产的线束 Wire Harness Produced Before June 30th,2005	
	37A3DQ-24101-B	1	牵引车车架线束 (五十铃)-B Tractor Frame Wire Harness (ISUZU)-B			
	37B25DQ-24101	1	牵引车车架线束 (玉柴) Tractor Frame Wire Harness (YUCHAI)			
	37A28DQ-24101	1	牵引车车架线束 (玉柴宽车) Tractor Frame Wire Harness (Wide Cab Tractor Equiped With Engine Made By YUCHAI Engine Factory)			
	37A23DQ-24101-B	1	牵引车车架线束 (康明斯M系列)-B Tractor Frame Wire Harness (CUMMINS M Series)-B			
	37B35DP4-24101	1	四桥车架线束 (康明斯B 3370) 4-Axle Vehicle Frame Wire Harness (CUMMINS B 3370)		2005年6月30日前生产的线束 Wire Harness Produced Before June 30th,2005	

整车线束 / COMPLETE VEHICLE WIRE HARNESS

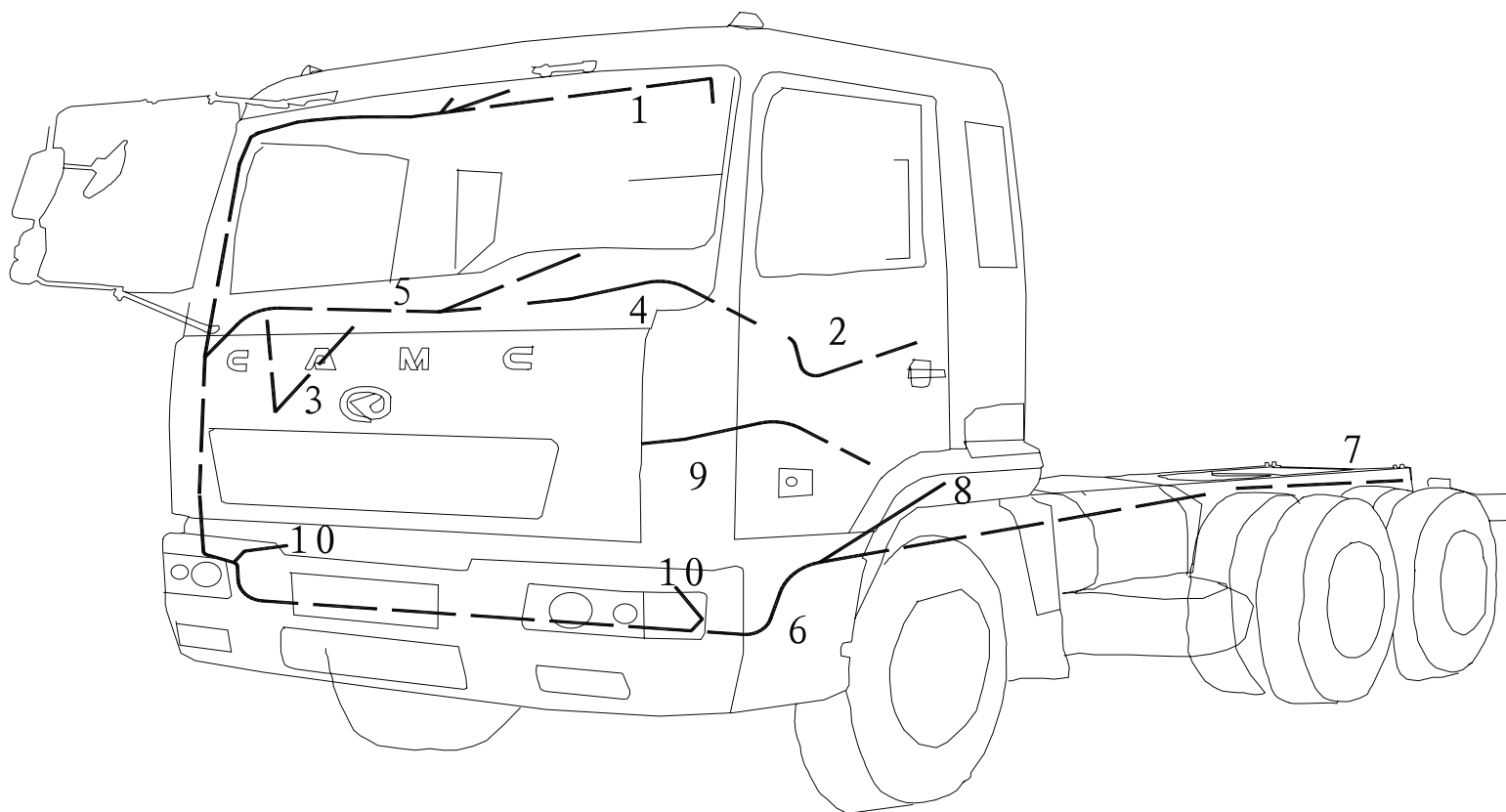
37-AD



序号 No.	件号 Part No.	数量 Quantity	名称 Name	规格 Specification	适用产品 Products Applied	备注 Remark
6	37ADP4-24101	1	四桥车架线束 (三菱 3370、4605) 4-Axle Vehicle Frame Wire Harness (MITSUBISHI 3370,4605)		2005年6月30日前生产的线束 Wire Harness Produced Before June 30th,2005	
	37 ADP4-24101-B	1	四桥车架线束 (三菱 3370、4605)-B 4-Axle Vehicle Frame Wire Harness (MITSUBISHI 3370,4605)-B			
	37A4DP4-24101	1	四桥车架线束 (三菱 4605) 4-Axle Vehicle Frame Wire Harness (MITSUBISHI 4605)		2005年6月30日前生产的线束 Wire Harness Produced Before June 30th,2005	
	37B25DP3-24101	1	四桥车架线束 (玉柴窄车 4605) 4-Axle Vehicle Frame Wire Harness (Narrow Cab Tractor Equiped With Engine Made By YUCHAI Engine Factory,4605)			
	37BH25DP5-24101	1	四桥车架线束 (玉柴窄体车 4000) 4-Axle Vehicle Frame Wire Harness (Narrow Cab Tractor Equiped With Engine Made By YUCHAI Engine Factory,4000)			
	37BH25DP3-24101	1	四桥车架线束 (玉柴窄体车 4605) 4-Axle Vehicle Frame Wire Harness(Narrow Cab Tractor Equiped With Engine Made By YUCHAI Engine Factory,4605)			
	37A4DP4-24301-B	1	四桥搅拌车车架线束 (康明斯 3370、4605)-B 4-Axle Mixer Frame Wire Harness (CUMMINS 3370,4605)-B			
	37A28DP3-24101	1	四桥宽车车架线束 (玉柴 3370、4605) 4-Axle Vehicle Frame Wire Harness With Wide Cab (YUCHAI 3370,4605)			
	37A28DP5-24101	1	四桥宽车车架线束 (玉柴 4000) 4-Axle Vehicle Frame Wire Harness With Wide Cab (YUCHAI 4000)			
	37A3DP3-24101	1	五十铃 4605 四桥货车车架线束 4-Axle Truck Frame Wire Harness (ISUZU 4605)		2005年6月30日前生产的线束 Wire Harness Produced Before June 30th,2005	
37BH6DP5-24101	1	窄车车架线束 (杭发、斯太尔 4000) Frame Wire Harness Of The Truck Equiped With Narrow Cab(Truck Equiped With Engine Made By Hangzhou Engine Factory,STEYR 4000 Engine)				

整车线束 / COMPLETE VEHICLE WIRE HARNESS

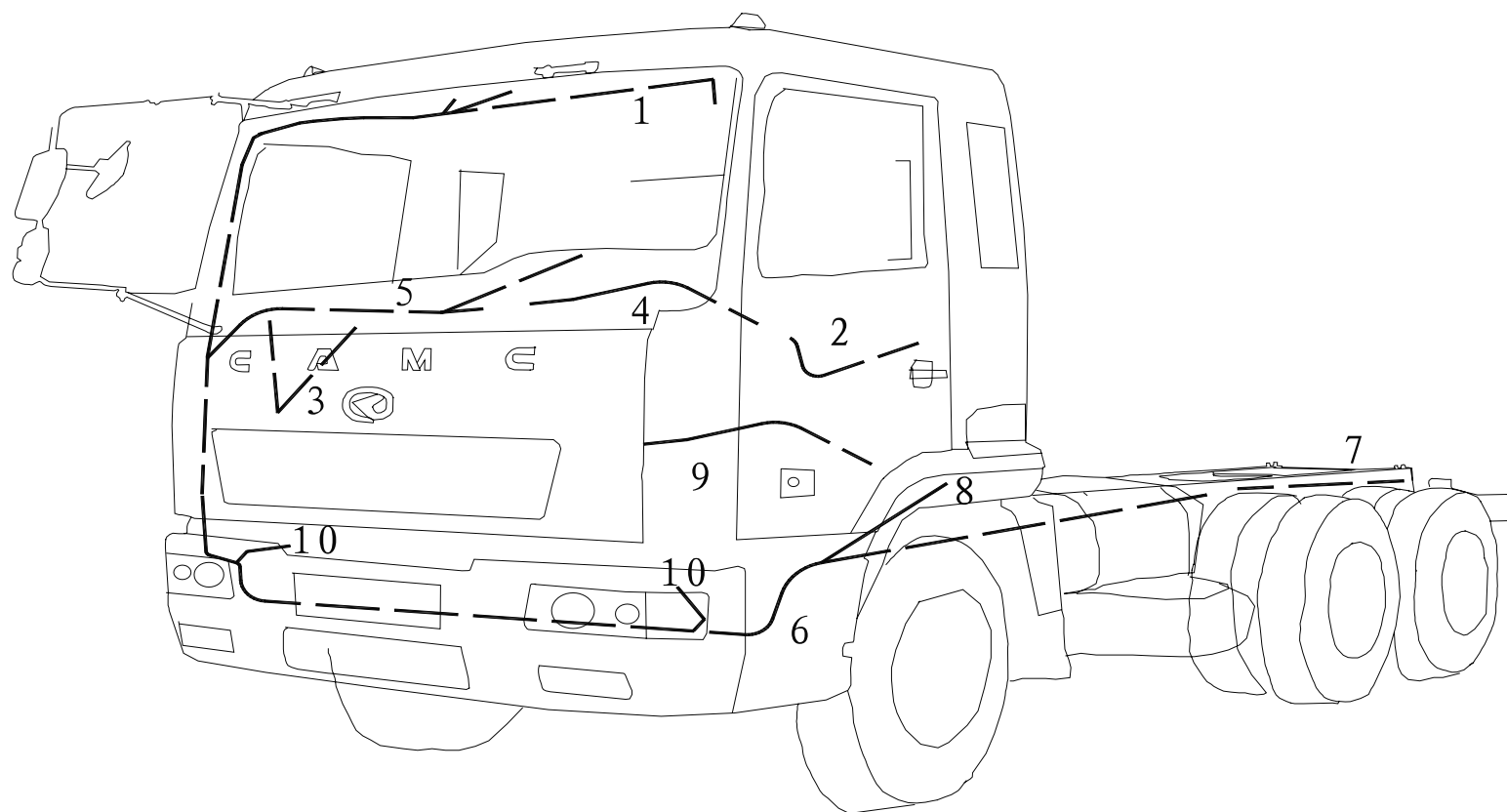
37-AD



序号 No.	件号 Part No.	数量 Quantity	名称 Name	规格 Specification	适用产品 Products Applied	备注 Remark
6	37BH6DP3-24101	1	窄车车架线束 (杭发、斯太尔 4605) Frame Wire Harness Of The Truck Equiped With Narrow Cab(Truck Equiped With Engine Made By Hangzhou Engine Factory,STEYR 4605 Engine)			
	37BH2D-24101	1	窄车车架线束 (杭发、斯太尔) Frame Wire Harness Of The Truck Equiped With Narrow Cab(Truck Equiped With Engine Made By Hangzhou Engine Factory,STEYR Engine)			
	37BH35D-24101	1	窄车车架线束 (康B) Frame Wire Harness Of The Truck Equiped With Narrow Cab(CUMMINS B)			
	37BH21DQ-24101	1	窄车车架线束 (康明斯) Frame Wire Harness Of The Truck Equiped With Narrow Cab(CUMMINS)			
	37B25HDP9-24101	1	窄车车架线束 (玉柴 AH5850) Frame Wire Harness Of The Truck Equiped With Narrow Cab(YUCHAI AH 5850)			
	37B25DH-24101	1	窄车车架线束 (玉柴) Frame Wire Harness Of The Truck Equiped With Narrow Cab(YUCHAI)			
	37BH2DQ-24101	1	窄车牵引车车架线束 (杭发、斯太尔) Tractor Frame Wire Harness Equiped With Narrow Cab (Truck Equiped With Made By HangZhou Engine Factory,STEYR Engine)			
	37AHDQ-24101	1	AH 牵引车架线束 (三菱) AH Tractor Frame Wire Harness(MITSUBISHI)		三菱 AH 牵引车型 MITSUBISHI AH Tractor Model	
	37AH2DQ16-24101	1	AH 双前桥牵引车架线束 (斯太尔) AH Double Front Axle Tractor Frame Wire Harness(STEYR)		HN4211Z31B8M	
	37AH2DQ17-24101	1	AH 牵引车架线束 (斯太尔 2750) AH Tractor Frame Wire Harness(STEYR 2750)		HN4211Z34B7M	

整车线束 / COMPLETE VEHICLE WIRE HARNESS

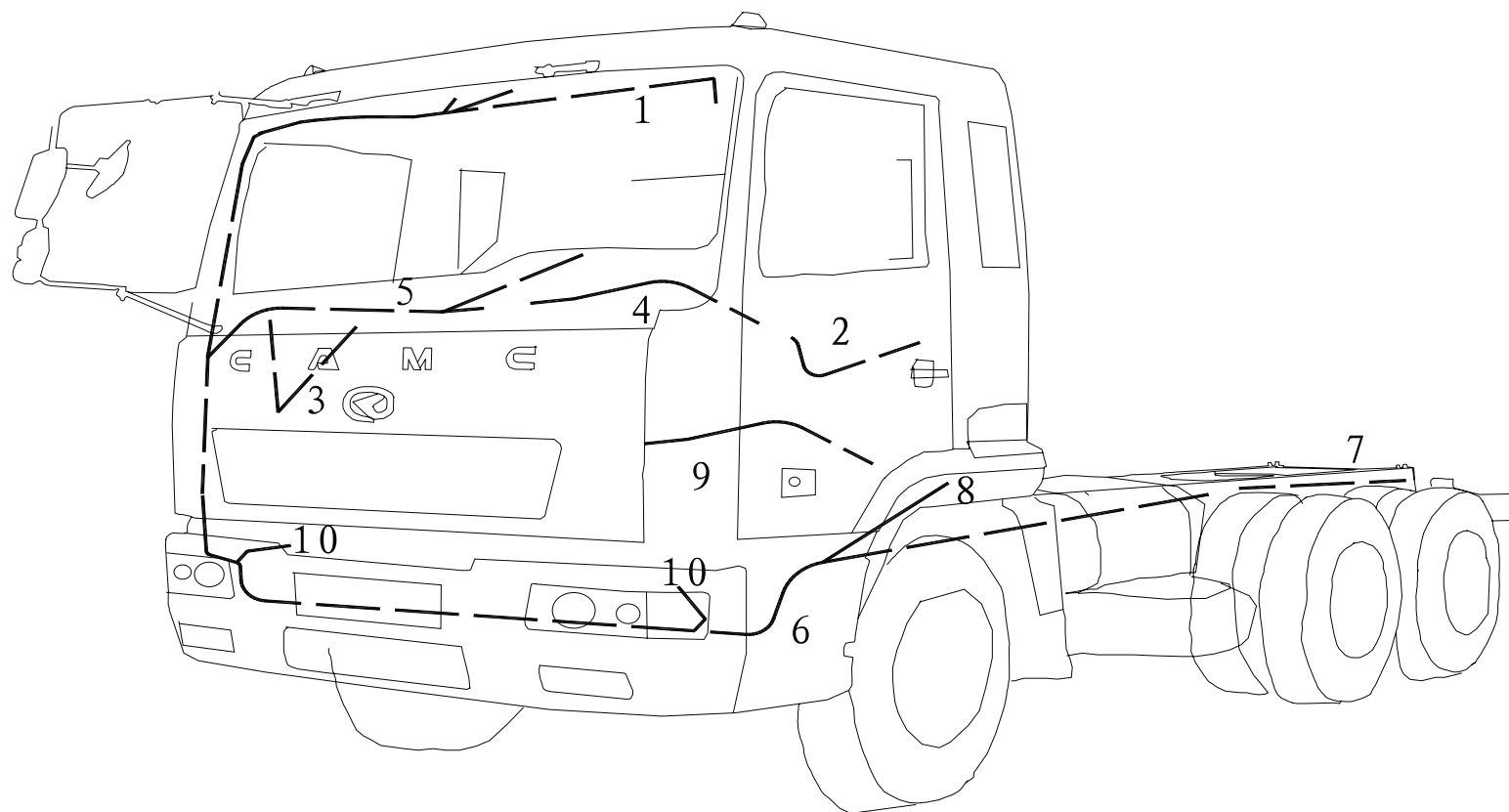
37-AD



序号 No.	件号 Part No.	数量 Quantity	名称 Name	规格 Specification	适用产品 Products Applied	备注 Remark
6	37AH59DQ-24101	1	潍柴欧III牵引车架线束 WEICHAI Euro III Tractor Frame Wire Harness		潍柴 WP10 牵引车型 WEICHAI WP10 Tractor Model	
	37AH59D-24101	1	潍柴欧III车架线束 WEICHAI Euro III Frame Wire Harness		潍柴欧III搅拌、潍柴欧III自卸 WEICHAI EU III Mixer, WEICHAI Euro III Dump Truck	
	37AH43D-24101	1	ISL 车架线束 (CM2150C) ISL Frame Wire Harness(CM2150C)		康明斯 ISLe 搅拌车型 CUMMINS ISLe Mixer Model	
	37AH53D-24101	1	杭发欧III车架线束 HANGFA Euro III Frame Wire Harness		杭发欧III 3600 自卸车型 HANGFA Euro III Dump Truck Model	
	37AH59DQ-24101	1	潍柴欧III牵引车架线束 WEICHAI Euro III Tractor Frame Wire Harness		潍柴欧III WP10 牵引车型 WEICHAI Euro III WP10 Tractor Model	
	37AH82DQ-24101	1	AH 牵引车车架线束 (斯太尔 WD12) AH Tractor Frame Wire Harness(STEYR WD12)		潍柴 WD12 牵引车型 WEICHAI WD12 Tractor Model	
	37BH25DP5-24101	1	四桥车架线束 (玉柴窄车 4000) 4-Axle Vehicle Frame Wire Harness(Narrow Cab Truck Equiped With Engine made By YUCHAI Engine Factory,4000)		玉柴 HOWO 窄体双前桥车型 YUCHAI HOWO Narrow Cab Double Front Axle Model	
	37AH93DP3-24101	1	四桥 4605 车架线束 (三菱欧III泵车) 4-Axle 4605 Frame Wire Harness(MITSUBISHI Euro III Pump Truck)		三菱欧III 4605 泵车 MITSUBISHI Euro III 4605 Pump Truck	
	37AH52D-24101	1	CAT 车架线束 (C9) CAT Frame Wire Harness(C9)		卡特 C9 3600 搅拌 CATER C9 3600 Mixer	
	37AH50DQ-24101	1	CAT 牵引车车架线束 (C13) CAT Tractor Frame Wire Harness(C13)		卡特 C13 牵引 CATER C13 Tractor	
37AH82D-24101	1	AH 车架线束 (斯太尔 WD12) AH Frame Wire Harness(STEYR WD12)		潍柴 WD12 自卸 WEICHAI WD12 Dump Truck		

整车线束 / COMPLETE VEHICLE WIRE HARNESS

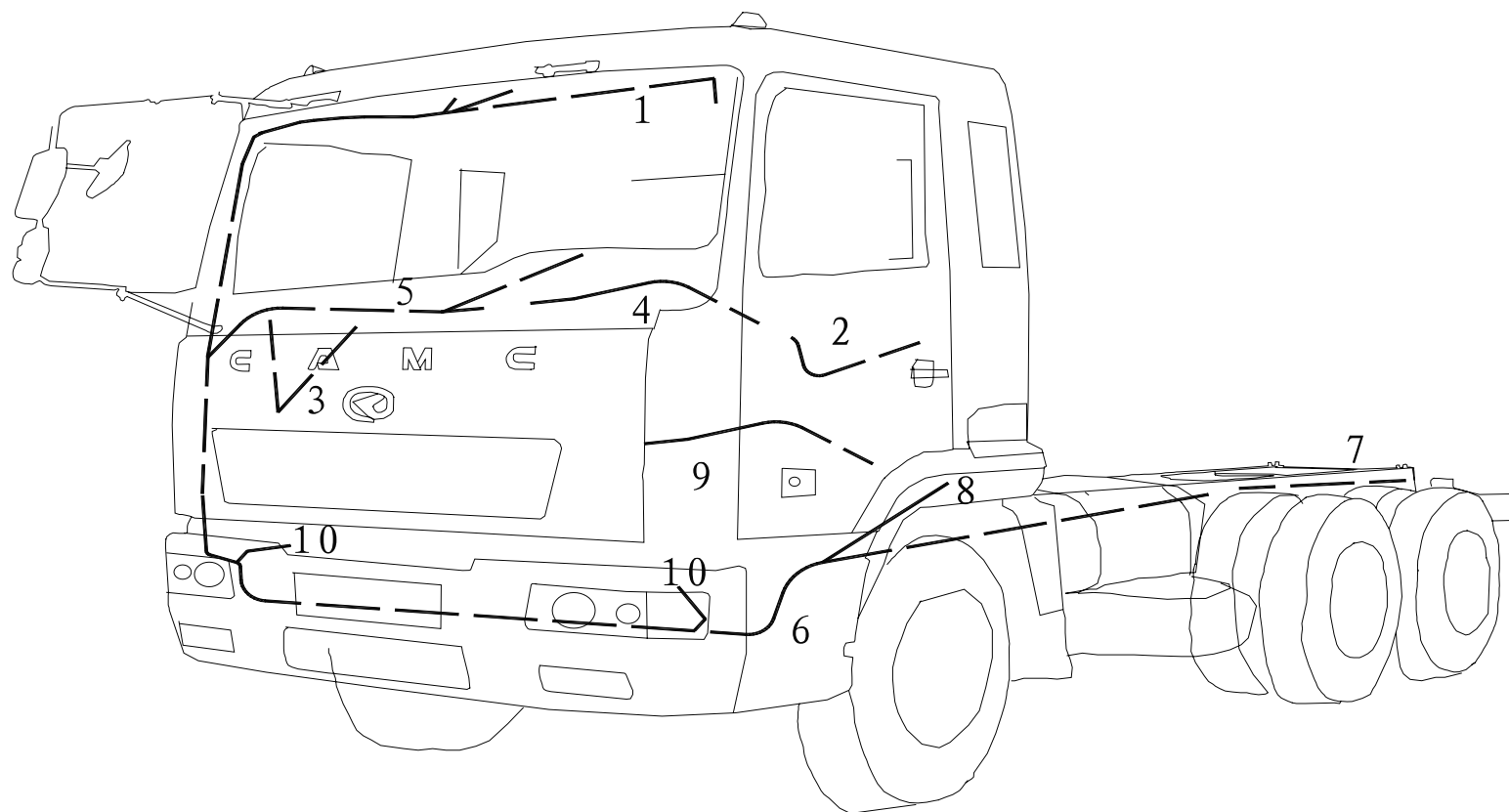
37-AD



序号 No.	件号 Part No.	数量 Quantity	名称 Name	规格 Specification	适用产品 Products Applied	备注 Remark
6	37BH25DP5-24101	1	四桥车架线束 (玉柴窄车 4000) 4-Axle Vehicle Frame Wire Harness(Narrow Cab Truck Equiped With Engine made By YUCHAI Engine Factory,4000)		玉柴 HOWO 窄体双前桥车型 1850+5310 YUCHAI HOWO Narrow Cab Double Front Axle Model 1850+5310	
	37AH93DQ-24101	1	车架线束 (三菱欧III) Frame Wire Harness(MITSUBISHI Euro III)		三菱欧III牵引 MITSUBISHI Euro III Tractor	
7	37AD-24102-B	1	车尾线束 -B Tail Wire Harness-B		搅拌机, 自卸车 Mixer, Dump Truck	
	37ADQ-24102-B	1	牵引车车尾线束 -B Tractor Tail Wire Harness-B		牵引车 Tractor	
	37ADP-24102-B	1	货车尾灯线束 -B Truck Taillamp Wire Harness-B		货车尾灯线束 Truck Taillamp Wire Harness	
	37AHD-24102	1	AH 尾灯线束 AH Taillamp Wire Harness		3600 轴距车型 3600 Wheel Base Model	

整车线束 / COMPLETE VEHICLE WIRE HARNESS

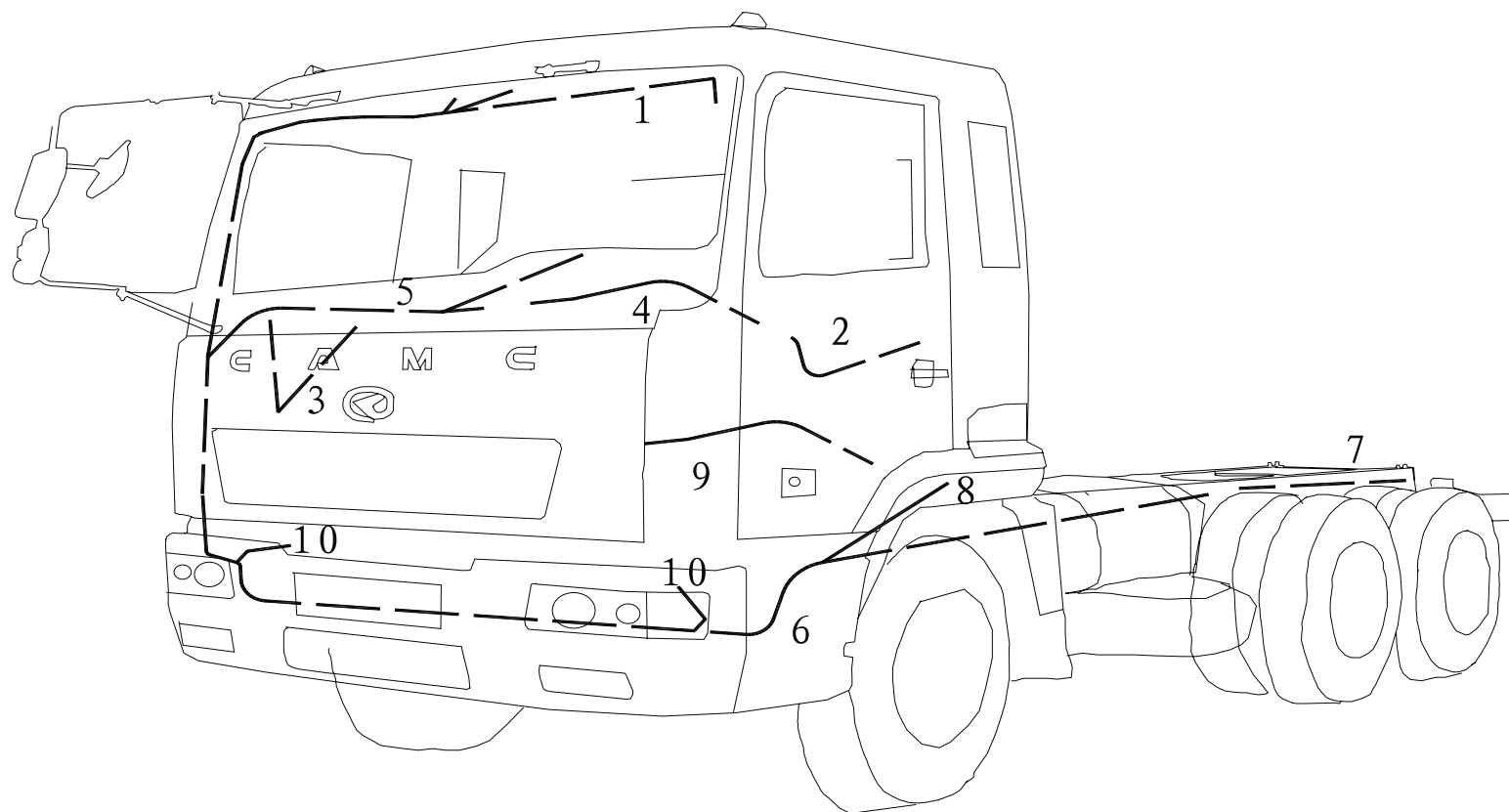
37-AD



序号 No.	件号 Part No.	数量 Quantity	名称 Name	规格 Specification	适用产品 Products Applied	备注 Remark
7	37AHDP-24102		AH 货车尾灯线束 AH Truck Taillamp Wire Harness		货车 Truck	
	37AHDQ-24102		AH 牵引车尾灯线束 AH Tractor Taillamp Wire Harness		牵引车 Tractor	
	37AD-24102-B1		尾灯线束 -B1 (3200) Taillamp Wire Harness-B1(3200)		出口车用 Export Vehicle	
	37AD-24102	1	尾灯线束 Taillamp Wire Harness		2005-06-30 前的车型 Vehicle Produced Before June 30th,2005	
	37ADP-24102	1	尾灯线束 Taillamp Wire Harness		2005-06-30 前的货车车型 Truck Produced Before June 30th,2005	
	37ADQ-24102	1	尾灯线束 Taillamp Wire Harness		2005-06-30 前的牵引车型 Tractor Produced Before June 30th,2005	
	37B25DP-24102	1	窄车货车尾灯线束 Taillamp Wire Harness Of The Truck Equiped With Narrow Cab		窄车相应车型 Correspond To Truck With Narrow Cab	
	37B25DQ-24102	1	窄车牵引车尾灯线束 Taillamp Wire Harness Of The Tractor Equiped With Narrow Cab		窄车相应车型 Correspond To Truck With Narrow Cab	
	37B25D-24102	1	窄车尾灯线束 Taillamp Wire Harness Of The Tractor Equiped With Narrow Cab		窄车相应车型 Correspond To Truck With Narrow Cab	
	37BHDP-24102	1	窄车货车尾灯线束 Taillamp Wire Harness Of The Truck Equiped With Narrow Cab		窄车 AH 相应车型 Correspond To AH Truck With Narrow Cab	
	37BHD-24102	1	窄车尾灯线束 Taillamp Wire Harness Of The Truck Equiped With Narrow Cab		窄车 AH 相应车型 Correspond To AH Truck With Narrow Cab	
8	37AH23D-03040	1	AH 起动电源电缆 (M11) AH Starter Electrical Power Cable(M11)		对应 AH 车型 AH Model	
	37AH44D-03040	1	AH 起动电源电缆 (日野) AH Starter Electrical Power Cable(HINO)		对应 AH 车型 AH Model	

整车线束 / COMPLETE VEHICLE WIRE HARNESS

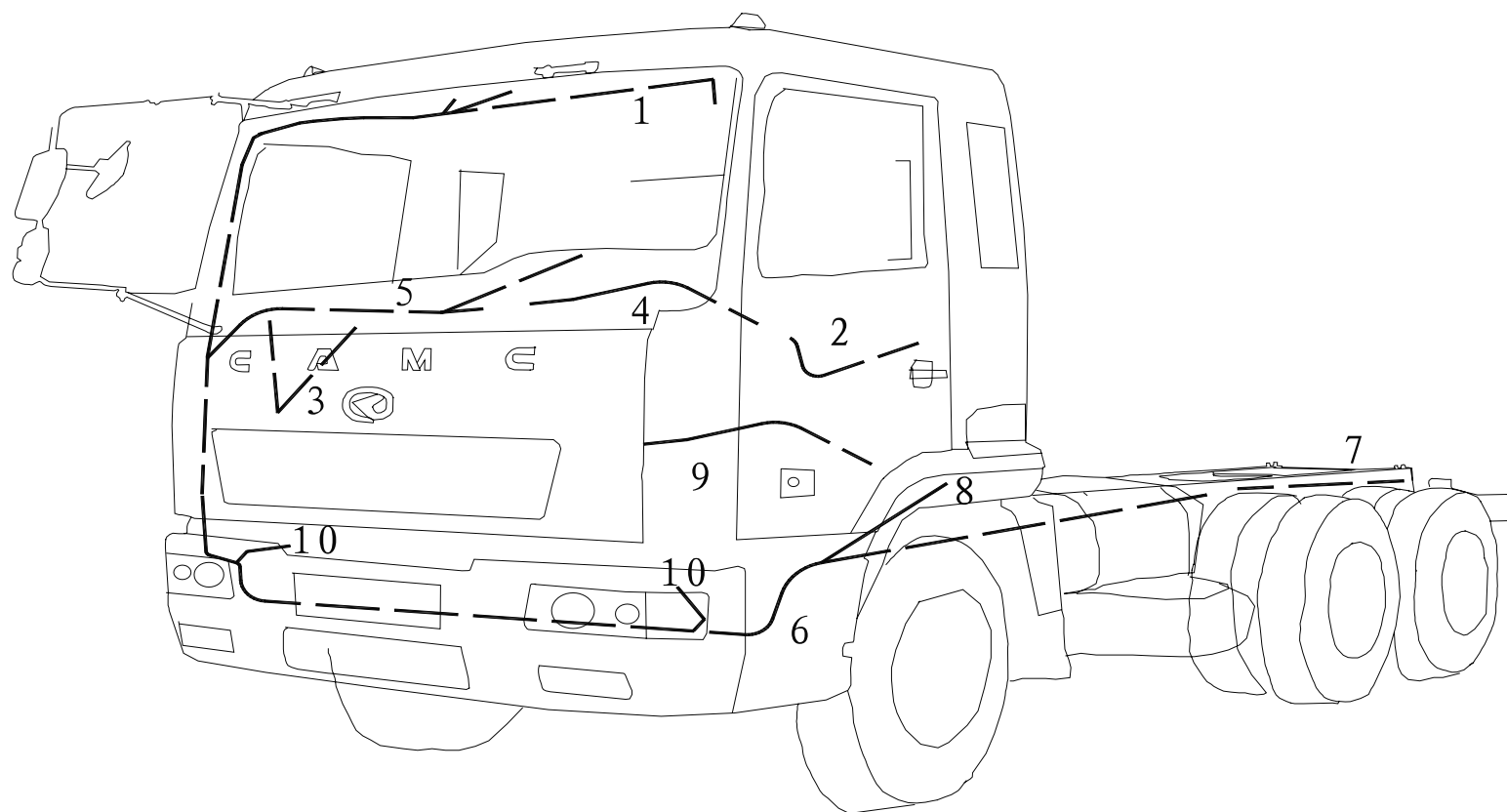
37-AD



序号 No.	件号 Part No.	数量 Quantity	名称 Name	规格 Specification	适用产品 Products Applied	备注 Remark
8	37AH44D-03049	1	AH 起动电源电缆 (日野欧 3) AH Starter Electrical Power Cable(HINO Euro III)		对应 AH 车型 AH Model	
	37AH2D-03540	1	AH 起动电源电缆 (斯太尔) AH Starter Electrical Power Cable(STEYR)		对应 AH 车型 AH Model	
	37A4D-03041	1	起动机电源电缆 (康明斯大同变速箱) Starter Electrical Power Cable(CUMMINS Engine And Datong Transmission)		适用于 (康明斯大同变速箱所有车型) Truck CUMMINS With CUMMINS Engine And Datong Transmission	
	37AH4D-03040	1	AH 起动电源电缆 (康明斯) AH Starter Electrical Power Cable(CUMMINS)		对应 AH 车型 AH Model	
	37AHDQ-03040	1	AH 起动机电源电缆 (三菱牵引) AH Starter Electrical Power Cable (MITSUBISHI Tractor)		对应 AH 车型 AH Model	
	37AH23DQ-03040	1	AH 牵引车起动电源电缆 (M11) AH Tractor Starter Electrical Power Cable (M11)		对应 AH 车型 AH Model	
	37AH4DQ-03040	1	AH 牵引车起动电源电缆 (康明斯) AH Tractor Starter Electrical Power Cable (CUMMINS)		对应 AH 车型 AH Model	
	37AH2DQ-03040	1	AH 牵引车起动电源电缆 (斯太尔) AH Tractor Starter Electrical Power Cable (STEYR)		对应 AH 车型 AH Model	
	37AH44DQ-03040	1	AH 牵引车起动电源电缆 (日野欧 3) AH Tractor Starter Electrical Power Cable (HINO Euro III)		对应 AH 车型 AH Model	
	37AH4DP3-03040	1	AH 四桥车起动电源电缆 (康明斯 AH4605) AH 4-Axle Vehicle Starter Electrical Power Cable(CUMMINS AH4605)		对应 AH 车型 AH Model	
	37AH23DP3-03040	1	AH 四桥起动电源电缆 (M11 3370) AH 4-Axle Vehicle Starter Electrical Power Cable (M11 3370)		对应 AH 车型 AH Model	
	37AH6DP5-03040	1	AH 四桥起动电源电缆 (斯太尔) AH 4-Axle Vehicle Starter Electrical Power Cable(STEYR)		对应 AH 车型 AH Model	
37AH2DP3-03540	1	AH 四桥起动电源电缆 (斯太尔 AH4605) AH 4-Axle Vehicle Starter Electrical Power Cable(STEYR AH4605)		对应 AH 车型 AH Model		

整车线束 / COMPLETE VEHICLE WIRE HARNESS

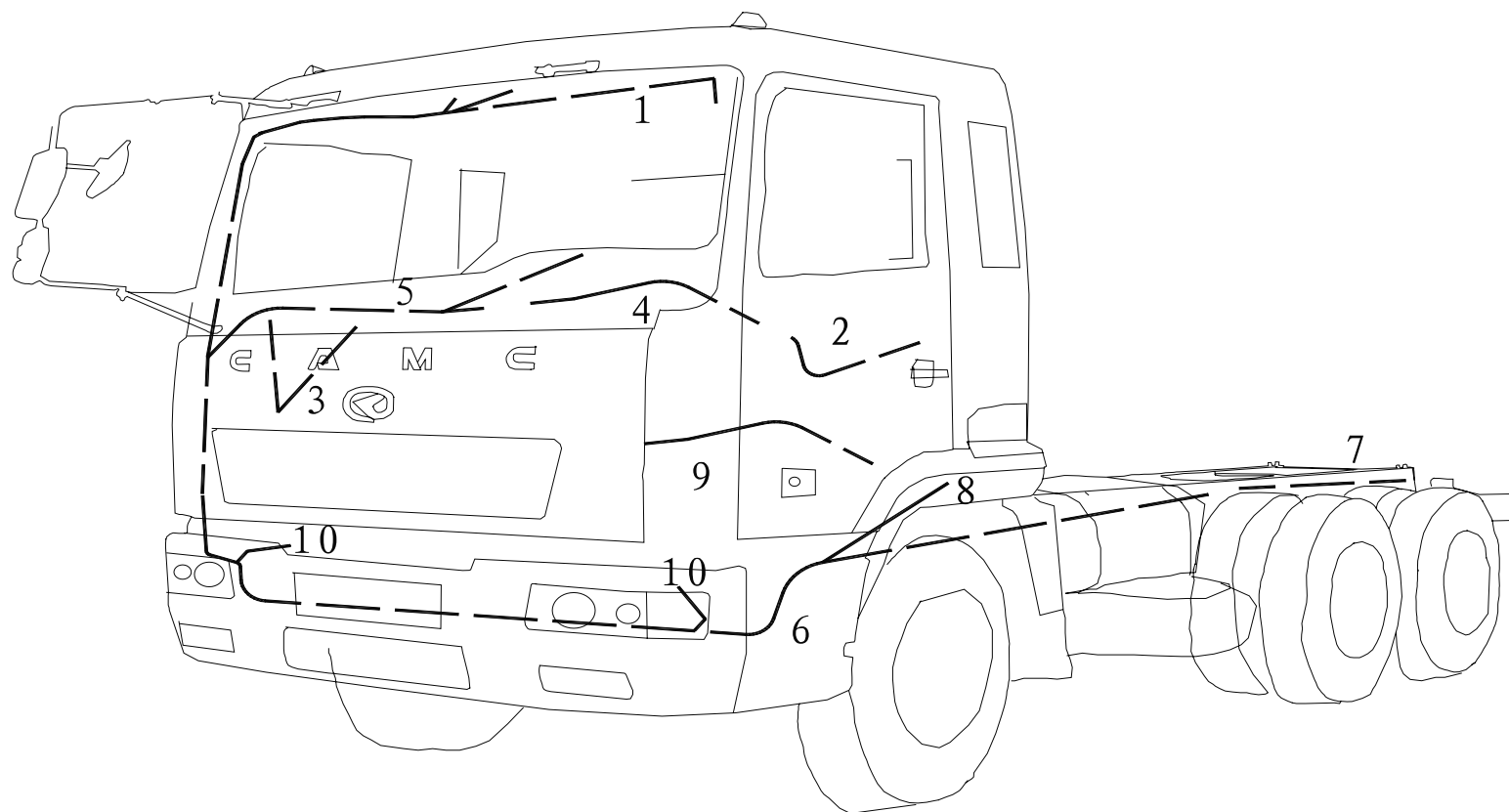
37-AD



序号 No.	件号 Part No.	数量 Quantity	名称 Name	规格 Specification	适用产品 Products Applied	备注 Remark
8	37AH6DP3-03040	1	AH 四桥起动电源电缆 (斯太尔 3370) AH 4-Axle Vehicle Starter Electrical Power Cable(STEYR 3370)		对应 AH 车型 AH Model	
	37B35D-03040	1	起动机电源电缆 (康 B) Starter Electrical Power Cable(CUMMINS B)		康明斯 B 系列发动机车型 Model With CUMMINS B Series Engine	
	37A23DP3-03040	1	起动电源电缆 (四桥康明斯 M 系列) Starter Electrical Power Cable(4-Axle Vehicle And CUMMINS M Series)		四桥康明斯 M 系列发动机车型 Model With 4-Axle Vehicle And CUMMINS M Series Engine	
	37A2D-03040	1	起动机电源电缆 (斯太尔) Starter Electrical Power Cable(STEYR)		斯太尔系列除 4 桥车 STEYR Series Except 4-Axle Vehicle	
	37A3D-03040	1	起动机电源电缆 Starter Electrical Power Cable		五十铃系列车型除 4 桥车 ISUZU Series Except 4-Axle Vehicle	
	37A4D-03040	1	起动机电源电缆 Starter Electrical Power Cable		适用于 (康明斯陕齿变速箱所有车型) All Model With CUMMINS Engine And Shanchi Transmission	
	37A4DP5-03040	1	起动机电源电缆 Starter Electrical Power Cable		适用于康明斯 4000 轴距非 AH 车型 Model With CUMMINS 4000 Wheel Base Except AH Model	
	37AD-03040	1	起动机电源电缆 Starter Electrical Power Cable		适用于三菱非 AH 车型 MITSUBISHI Except AH Model	
	37A4DP4-03042	1	起动机电源电缆 (康明斯四桥搅拌机) Starter Electrical Power Cable (CUMMINS 4-Axle Mixer)		康明斯 3370 四桥搅拌机 CUMMINS 3370 4-Axle Mixer	
	37A3DP3-03040	1	起动机电源电缆 (四桥) Starter Electrical Power Cable(4-Axle)		适用于康明斯、4000、3370 和 4605 的四桥车 CUMMINS,4000,3370 And 4605 4-Axle Model	
	37A6DP3-03040	1	起动机电源电缆 (斯太尔四桥) Starter Electrical Power Cable(STEYR 4-Axle)		斯太尔 4605 四桥车 STEYR 4605 4-Axle Model	
	37A6DP5-03040	1	起动机电源电缆 (四桥) Starter Electrical Power Cable(4-Axle)		斯太尔 4000 四桥车 STEYR 4000 4-Axle Model	
	37ADP4-03040	1	起动机电源电缆 (四桥) Starter Electrical Power Cable(4-Axle)		三菱 3370 四桥车 MITSUBISHI 3370 4-Axle Model	

整车线束 / COMPLETE VEHICLE WIRE HARNESS

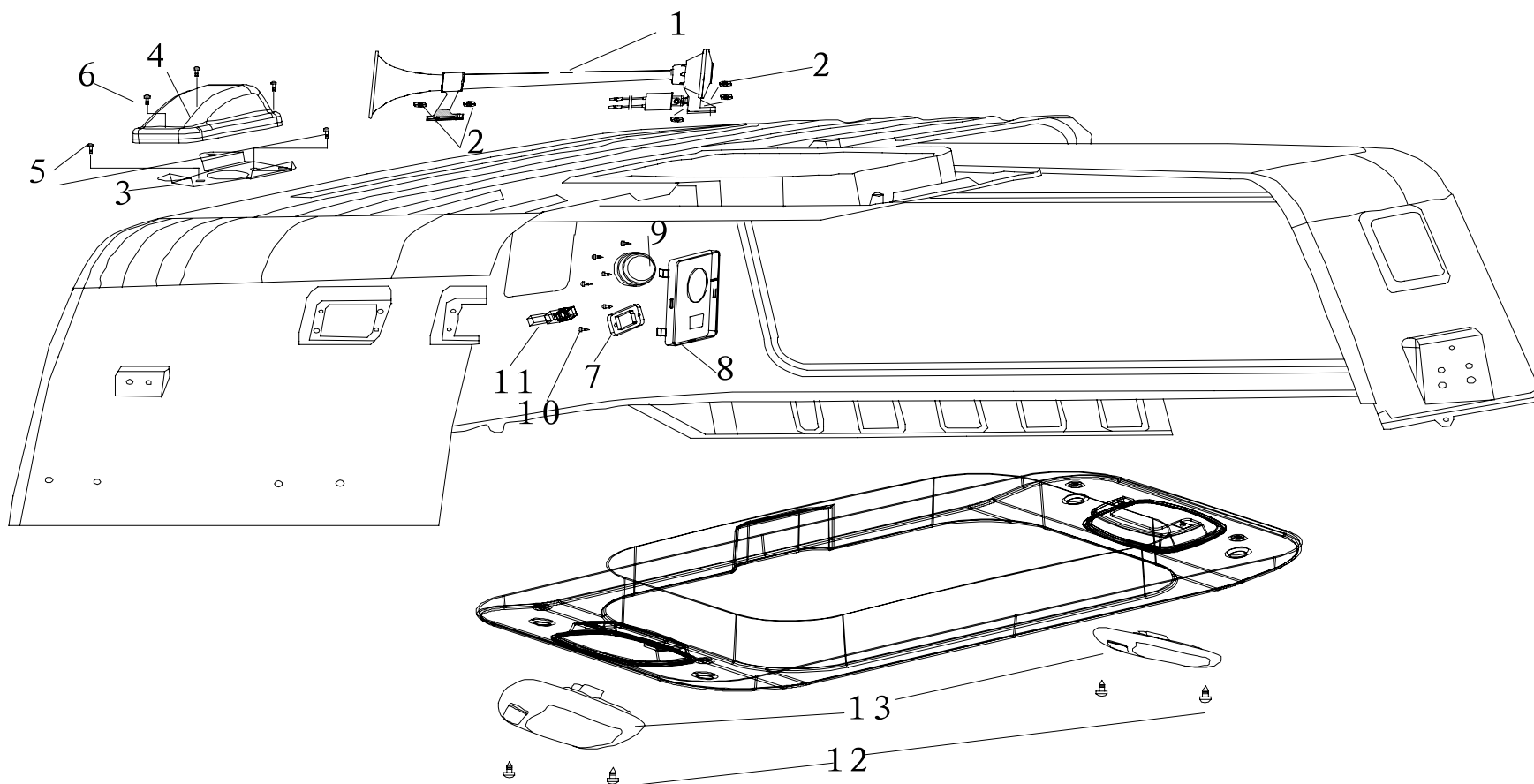
37-AD



序号 No.	件号 Part No.	数量 Quantity	名称 Name	规格 Specification	适用产品 Products Applied	备注 Remark
8	37B25DP5-03040	1	起动机电源电缆（四桥） Starter Electrical Power Cable(4-Axle)		玉柴窄车 4000 车型 Narrow Cab 4000 Truck Equiped With Engine Made By YUCHAI Engine Factory	
	37AH4DZ-03040	1	起动机电源电缆 -2900 Starter Electrical Power Cable-2900			
	37A23D-03040	1	起动机电源电缆（康明斯 M 系列） Starter Electrical Power Cable(CUMMINS M Series)		康明斯 M 系列启动电缆 Starter Electrical Power Cable Of CUMMINS M Series Engine	
	37BH35D-03040	1	起动机电源电缆（康 B） Starter Electrical Power Cable(CUMMINS B)		康 B 系列发动机 BH 车型 CUMMINS B Series Engine BH Model	
	37A4D-03042	1	起动机电源电缆（康明斯搅拌车） Starter Electrical Power Cable(CUMMINS Mixer)		康明斯搅拌车 CUMMINS Mixer	
	37AH93DP3-03040	1	三菱欧III四桥起动机电缆 -6200 MITSUBISHI Euro III 4-Axle Starter Electrical Power Cable-6200		三菱欧III 4605 泵车 MITSUBISHI Euro III 4605 Pump Truck	
9	37A2D-24109	1	发动机搭铁线 Engine Ground Cable		适用于斯太尔所有车型 All Model Of STEYR	
	37A4D-24109	1	发动机搭铁线 Engine Ground Cable		适用于康明斯所有车型 All Model Of CUMMINS Engine	
	37A22D-24110	1	M 系列起动机搭铁线 M Series Starter Ground Cable		适用于康明斯 M 系列所有车型 All Model Of CUMMINS M Series	
	37AH50D-24109	1	发动机搭铁电缆 Engine Ground Cable		卡特发动机系列车型 Model Equiped With CATER Engine	
	37B2DQ-24110	1	杭发发动机搭铁线 Ground Cable Of Engine Made By Hangzhou Engine Factory		杭发发动机 Engine Made By Hangzhou Engine Factory	
	37A33DQ1-24109	1	天然气发动机搭铁线 Natural Gas Engine Ground Cable		天然气发动机 Natural Gas Engine	
	37AH50D-24109	1	发动机搭铁电缆 Engine Ground Cable		卡特 C9 、卡特 C13 CATER C9,CATER C13	
10	37EHD-24099	2	欧款灯具过渡线 Europe Lamp Transition Line		欧款车型 Europe Model	

高顶车示廓灯，气喇叭，室内照明
HIGH ROOF VEHICLE CLEARANCE LAMP, AIR HORN, INTERIOR LIGHTING

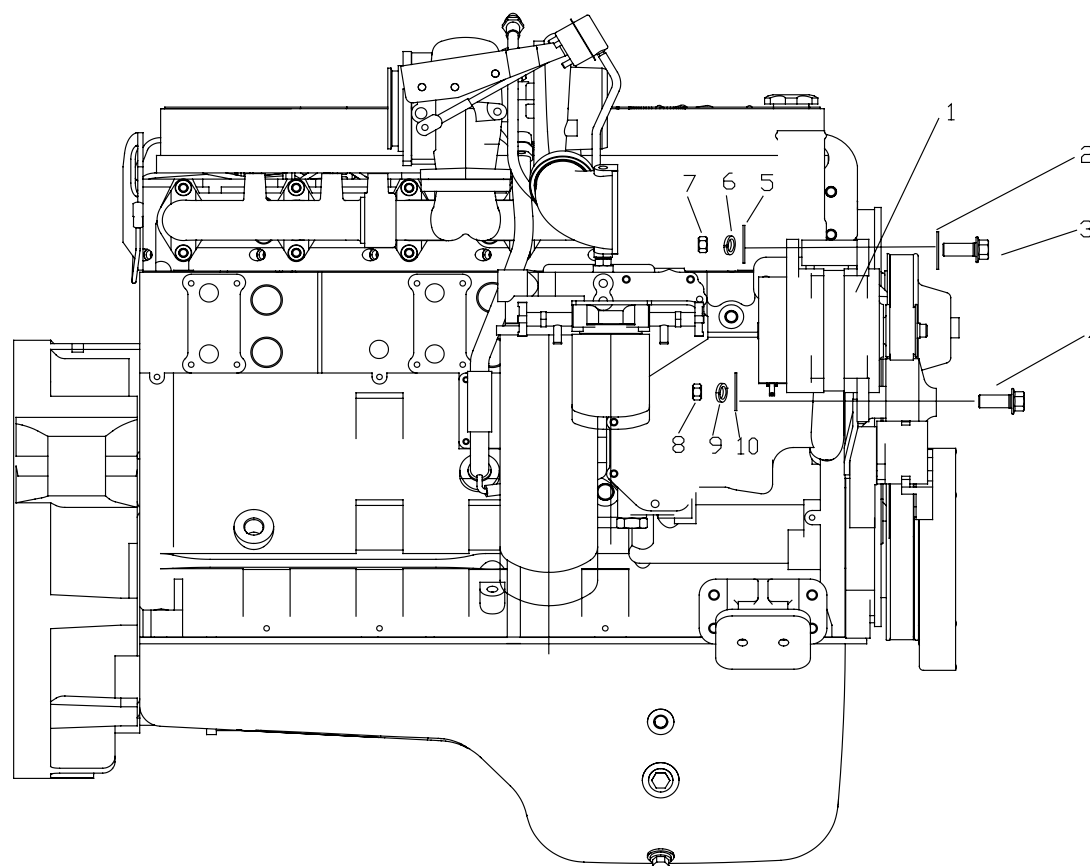
37-AE



序号 No.	件号 Part No.	数量 Quantity	名称 Name	规格 Specification	适用产品 Products Applied	备注 Remark
1	37AD-21025	2	高顶气喇叭器 High Roof Air Horn		高顶车 High Roof Vehicle	
2	Q340B06	10	I 型六角螺母 Hexagon Full Nut			
3	37AD-31016	2	高顶示廓灯支架 High Roof Clearance Lamp Bracket		高顶车 High Roof Vehicle	
4	37AD-31015	2	高顶示廓灯 High Roof Clearance Lamp		高顶车 High Roof Vehicle	
5	Q2360625	4	十字槽盘头螺钉、弹簧垫圈和平垫圈组合件 Cross Recessed Combination Screw W/Spring And Plain Washer			
6	Q2140620	6	十字槽盘头螺钉 (不锈钢制) Cross Recessed Pan Head Screw(Stainless Steel)			
7	37AD-15011	2	卧铺灯固定座 Sleeping Berth Lamp Holder		高顶车 High Roof Vehicle	
8	37AD-15012	2	阅读灯开关安装板 Reading Light Switch Mounting Plate		高顶车 High Roof Vehicle	
9	37AD-15051	2	卧铺灯 Sleeping Berth Lamp		高顶车 High Roof Vehicle	
10	Q2703513	12	十字槽盘头螺钉、弹簧垫圈和平垫圈组合件 Cross Recessed Combination Screw W/Spring And Plain Washer			
11	37AD-86014	2	卧铺灯开关 Sleeping Berth Lamp Switch		高顶车 High Roof Vehicle	
12	Q2725516	4	十字槽盘头自攻螺钉线 Cross Recessed Pan Head Self-Tapping Screw			
13	37AD-14020	2	顶灯总成 (高顶车) Dome Light Assembly (High Roof Vehicle)		高顶车 High Roof Vehicle	

发电机 / GENERATOR

37-AF



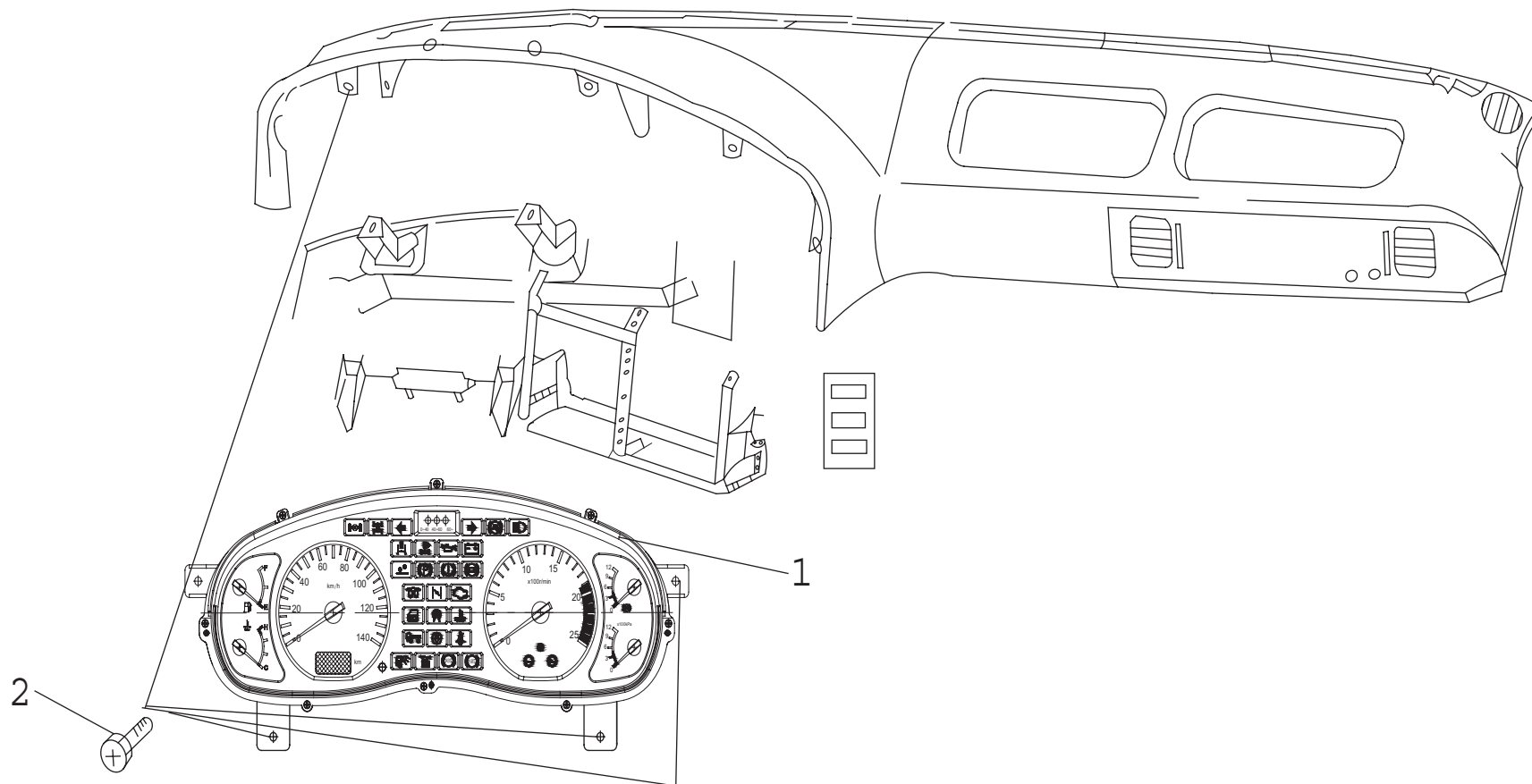
序号 No.	件号 Part No.	数量 Quantity	名称 Name	规格 Specification	适用产品 Products Applied	备注 Remark
1	37B25D-42010	1	发电机总成 Generator Assembly		玉柴 6J 发动机系列 YUCHAI 6J Engine Series	
	37B25D-42020	1	发电机总成 (玉柴) Generator Assembly(YUCHAI)		玉柴 6A 发动机系列 YUCHAI 6A Engine Series	
2	Q40210	1	大平垫 Big Plate Washer			
3	Q150B10130	1	六角头螺栓 Hexagon Head Bolt			
4	Q150B1045	1	六角头螺栓 Hexagon Head Bolt			
5	Q40210	1	大平垫 Big Plate Washer			
6	Q40310	1	弹簧垫圈 Spring Washer			
7	Q340B10	1	I 型六角螺母 Hexagon Full Nut			
8	Q340B10	1	I 型六角螺母 Hexagon Full Nut			
9	Q40310	1	弹簧垫圈 Spring Washer			
10	Q40210	1	大平垫 Big Plate Washer			

38

仪器仪表系统
***INSTRUMENT AND
METER SYSTEM***

组合仪表装置图 / COMBINATION METER

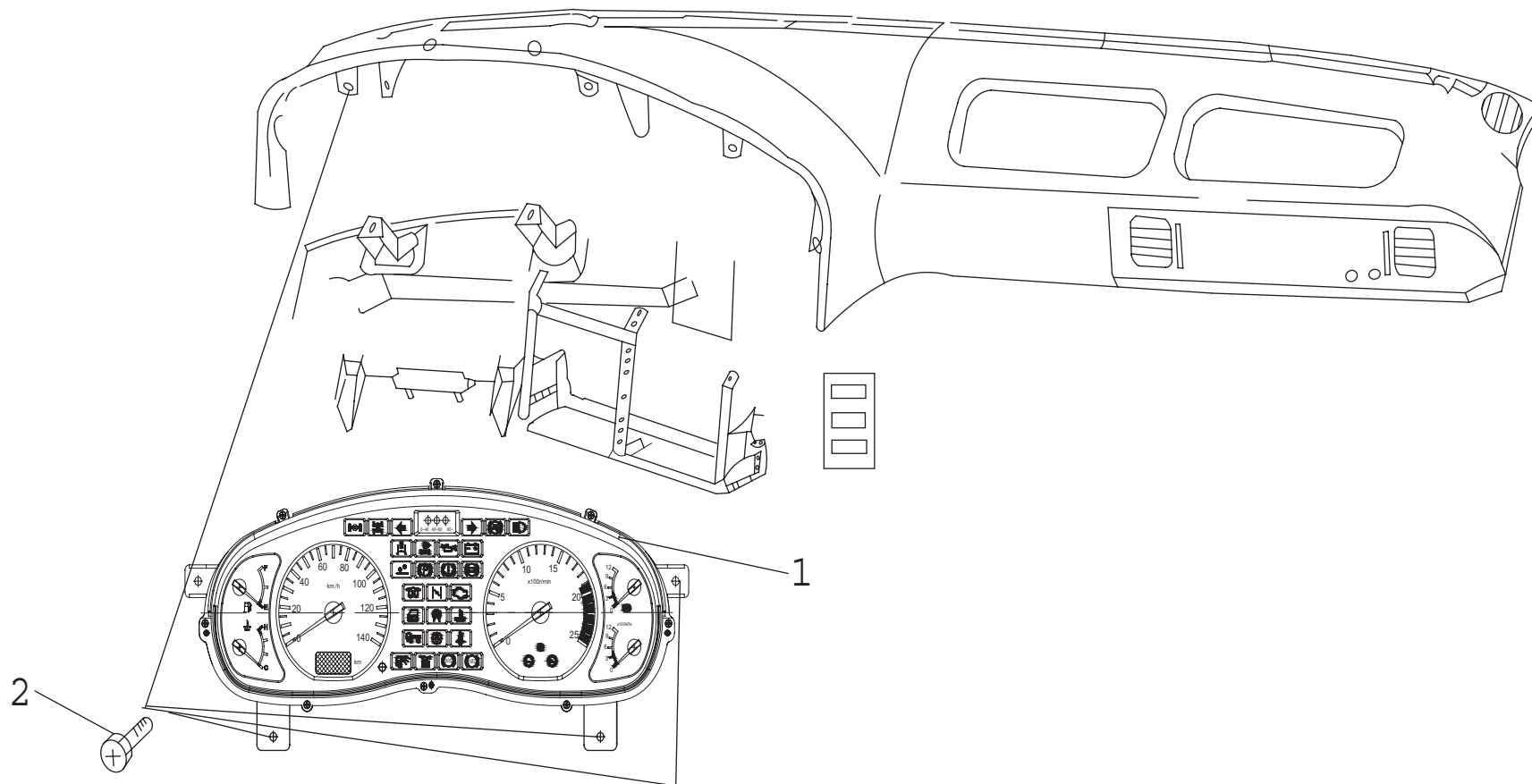
38-A



序号 No.	件号 Part No.	数量 Quantity	名称 Name	规格 Specification	适用产品 Products Applied	备注 Remark
1	38A2D—20530	1	组合仪表（步进电机） Combination Meter(Stepping Motor)		斯太尔发动机，后桥主减速比 4.875、4.8 的桥通用 /STEYR Engine, Rear Axle With Main Reduction Ratio 4.875, 4.8	
	38A16D-20510	1	组合仪表（步进电机） Combination Meter(Stepping Motor)		日野发动机，后桥主减速比 5.73、5.833 的桥通用 /HINO Engine, Rear Axle With Main Reduction Ratio 5.73, 5.833	
	38A4D—20510	1	组合仪表（步进电机） Combination Meter(Stepping Motor)		康明斯发动机，后桥主减速比 5.833、5.73 的桥通用 /CUMMINS Engine, Rear Axle With Main Reduction Ratio 5.833, 5.73	
	38A4D—20020	1	组合仪表 Combination Meter		康明斯发动机，后桥主减速比 4.875、4.8 的桥通用 /CUMMINS Engine, Rear Axle With Main Reduction Ratio 5.833, 5.73	
	38A4D—20520	1	组合仪表（步进电机） Combination Meter(Stepping Motor)		康明斯发动机，后桥主减速比 4.875、4.8 的桥通用 /CUMMINS Engine, Rear Axle With Main Reduction Ratio 4.875, 4.8	
	38A4D--20540	1	组合仪表（步进电机） Combination Meter(Stepping Motor)		康明斯 M11 发动机，后桥主减速比 4.8、4.875 通用 /CUMMINS Engine M11, Rear Axle With Main Reduction Ratio 4.8, 4.875	
	38A4D--20550	1	组合仪表（步进电机） Combination Meter(Stepping Motor)		康明斯发动机，后桥主减速比 5.571 CUMMINS Engine, Rear Axle With Main Reduction Ratio 5.571 For Rear Axle	
	38A52D-20510	1	组合仪表（步进电机） Combination Meter(Stepping Motor)		卡特发动机系列 CATER Engine Series	
	38A4D--20530	1	组合仪表（步进电机） Combination Meter(Stepping Motor)		康明斯发动机，4.8 速比，13R 轮胎 CUMMINS Engine, Speed Ratio 4.8, Tire 13R	
	38A2D—20030	1	组合仪表 Combination Meter		斯太尔发动机，后桥主减速比 4.875、4.8 的桥通用 /STEYR Engine, Rear Axle With Main Reduction Ratio 4.875, 4.8	

组合仪表装置图 / COMBINATION METER

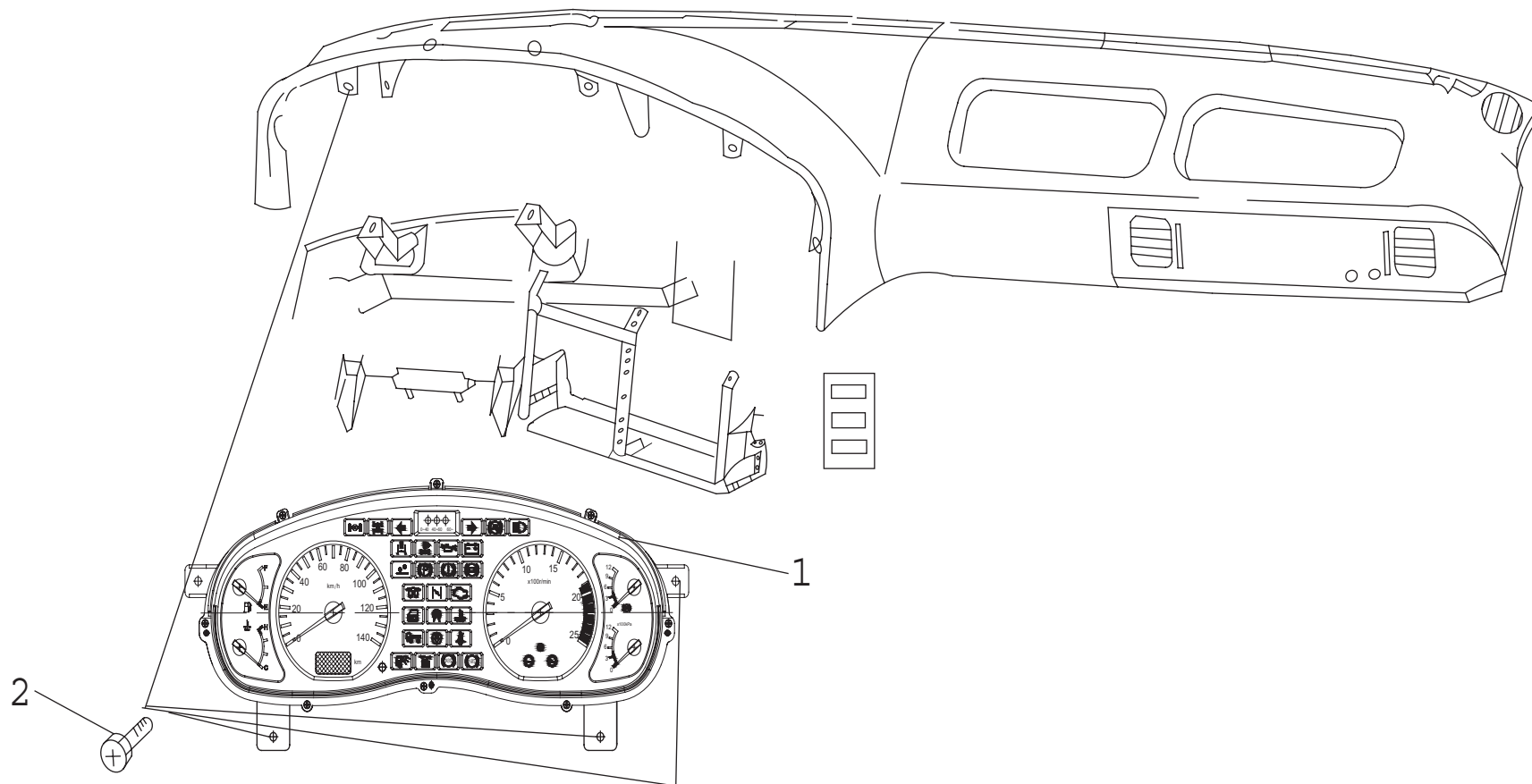
38-A



序号 No.	件号 Part No.	数量 Quantity	名称 Name	规格 Specification	适用产品 Products Applied	备注 Remark
1	38A23DZ-20515	1	组合仪表 (步进电机) Combination Meter (Stepping Motor)		康明斯 M11 发动机, 后桥主减速比 6.666、6.72 的桥通用 /CUMMINS Engine M11, Rear Axle With Main Reduction Ratio 6.666,6.72	
	38A23DZ-20540	1	组合仪表 (步进电机) Combination Meter (Stepping Motor)		康明斯 M11 发动机, 后桥主减速比 4.8、4.875 的桥通用 /CUMMINS Engine M11, Rear Axle With Main Reduction Ratio 4.8,4.875	
	38A23DZ-20510	1	组合仪表 (步进电机) Combination Meter (Stepping Motor)		康明斯 M11 发动机, 后桥主减速比 5.73、5.833 的桥通用 /CUMMINS Engine M11, Rear Axle With Main Reduction Ratio 5.73,5.833	
	38B20DZ-20550	1	组合仪表 (步进电机) Combination Meter (Stepping Motor)		杭发发动机, 后桥主减速比 5.571 Engine Made By HANGZHOU ENGINE FACTORY, Ratio Axle Main Reducation Ratio 5.571	
	38A4D-20560	1	组合仪表 (步进电机) Combination Meter (Stepping Motor)		康明斯 EQB 发动机, 后桥主减速比 6.166 CUMMINS EQB-Engine, Ratio Axle Main Reducation Ratio 6.166	
	38B25D-20510	1	组合仪表 (步进电机) Combination Meter (Stepping Motor)		玉柴发动机, 后桥主减速比 6.166 YUCHAI Engine, Ratio Axle Main Reducation Ratio 6.166	
	38B25D-20520	1	组合仪表 (步进电机) Combination Meter (Stepping Motor)		玉柴发动机, 后桥主减速比 4.8、4.875 的桥通用 /YUCHAI Engine, Rear Axle With Main Reduction Ratio 4.8, 4.875	
	38A4D-20525	1	组合仪表 (步进电机) Combination Meter (Stepping Motor)		康明斯发动机, 后桥主减速比 4.8、4.875 的桥通用 /CUMMINS Engine, Rear Axle With Main Reduction Ratio 4.8, 4.875	
	38A2D—20540	1	组合仪表 (步进电机) Combination Meter (Stepping Motor)		斯太尔发动机, 后桥主减速比 5.73、5.833 的桥通用 /STEYR Engine, Rear Axle With Main Reduction Ratio 5.73,5.833	
	38A3D-20030	1	组合仪表 Combination Meter		五十铃发动机, 后桥主减速比 5.286 ISUZU Engine, Rear Axle Main Reducation Ratio 5.286	

组合仪表装置图 / COMBINATION METER

38-A



序号 No.	件号 Part No.	数量 Quantity	名称 Name	规格 Specification	适用产品 Products Applied	备注 Remark
1	38A3D-20515	1	组合仪表 (步进电机) Combination Meter (Stepping Motor)		五十铃发动机, 后桥主减速比 5.73、5.833 的桥通用 /ISUZU Engine, Rear Axle With Main Reduction Ratio 5.73, 5.833	
	38AD-20510	1	组合仪表 (步进电机) Combination Meter (Stepping Motor)		三菱发动机, 后桥主减速比 5.73、5.833 的桥通用 /MITSUBISHI Engine, Rear Axle With Main Reduction Ratio 5.73, 5.833	
	38AD-20015	1	组合仪表 Combination Meter		三菱发动机, 后桥主减速比 6.666、6.72 的桥通用 /MITSUBISHI Engine, Rear Axle With Main Reduction Ratio 6.666, 6.72	
	38B25DZ-20530	1	组合仪表 (步进电机) Combination Meter (Stepping Motor)		玉柴发动机, 后桥主减速比 5.571 YUCHAI Engine, Rear Axle Main Reduction Ratio 5.571	
	38A93D-20510	1	组合仪表 (步进电机) Combination Meter (Stepping Motor)		三菱欧三发动机, 后桥主减速比 5.73 (5.833) MITSUBISHI Euro III Engine, Rear Axle Main Reduction Ratio 5.73, (5.833)	
2	Q2360512	4	十字槽盘头螺钉、弹簧垫圈和平垫圈组合件 Cross Recessed Pan Head Combination Bolt With Spring And Plate Washer			

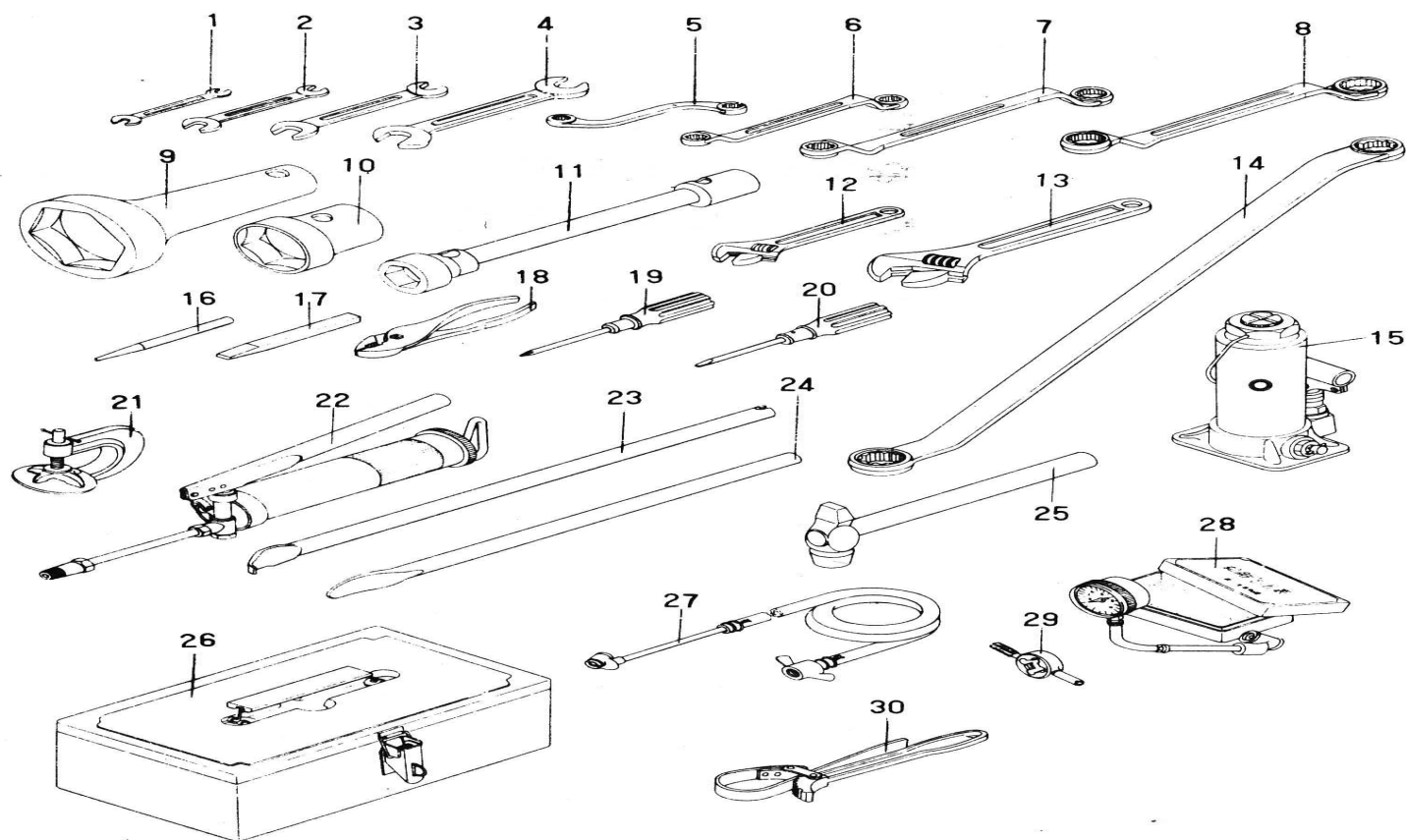
39

随车工具

DRIVER'S TOOL

随车工具 / DRIVER'S TOOL

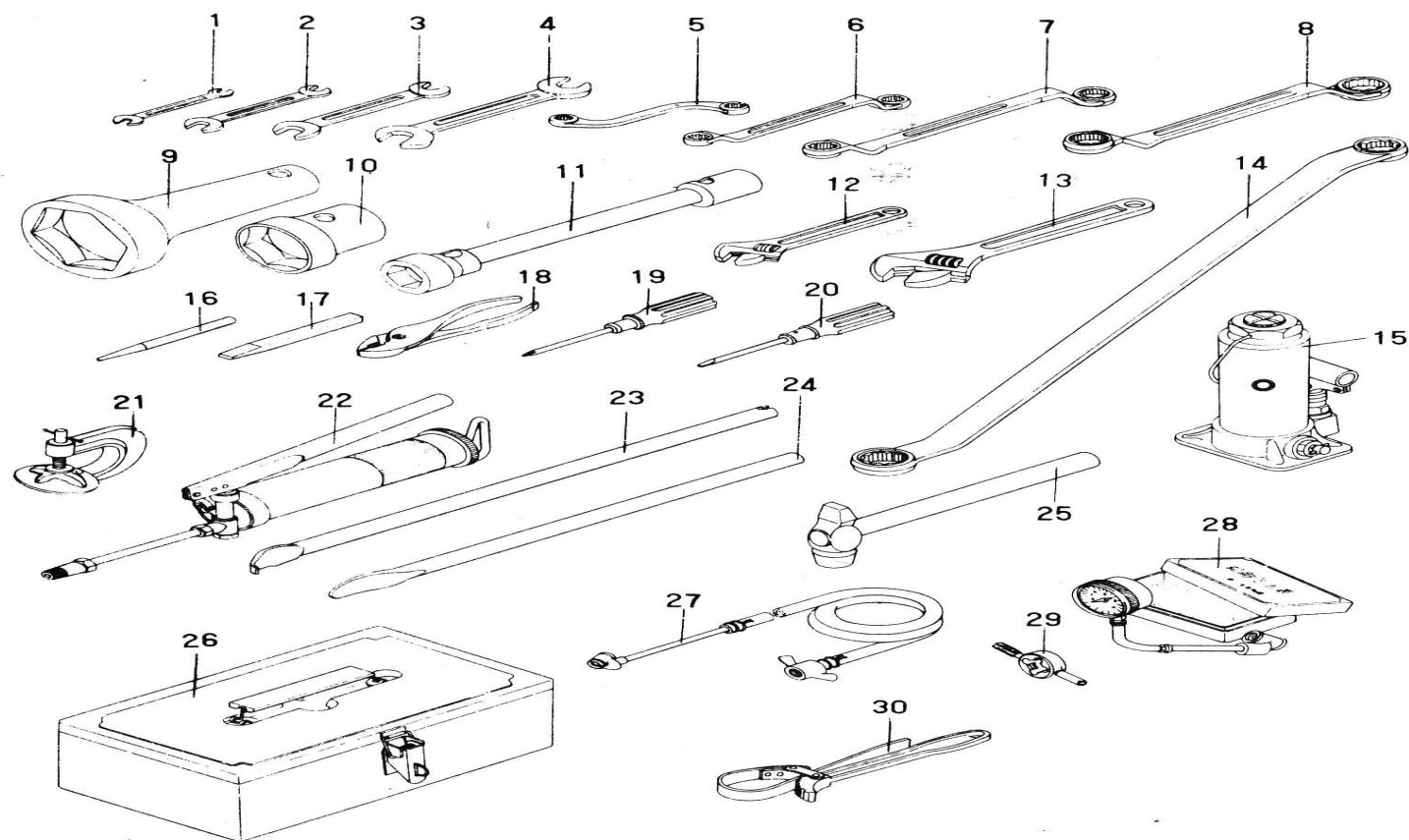
39-A



序号 No.	件号 Part No.	数量 Quantity	名称 Name	规格 Specification	适用产品 Products Applied	备注 Remark
1		1	双头开口扳手 Double Open End Wrench	8×10		视需要选配 On-Demand
2		1	双头开口扳手 Double Open End Wrench	13×15		视需要选配 On-Demand
3		1	双头开口扳手 Double Open End Wrench	16×18		视需要选配 On-Demand
4		1	双头开口扳手 Double Open End Wrench	21×24		视需要选配 On-Demand
		1	双头开口扳手 Double Open End Wrench	12×14	三菱、五十铃发动机 MITSUBISHI、ISUZU Engine	视需要选配 On-Demand
		1	双头开口扳手 Double Open End Wrench	17×19	三菱、五十铃发动机 MITSUBISHI、ISUZU Engine	视需要选配 On-Demand
		1	双头开口扳手 Double Open End Wrench	22×24	三菱、五十铃发动机 MITSUBISHI、ISUZU Engine	视需要选配 On-Demand
5		1	梅花扳手 Double Offset Ring Spanner	13×15		视需要选配 On-Demand
6		1	梅花扳手 Double Offset Ring Spanner	16×18		视需要选配 On-Demand
7		1	梅花扳手 Double Offset Ring Spanner	21×24		视需要选配 On-Demand
8		1	梅花扳手 Double Offset Ring Spanner	27×30		视需要选配 On-Demand
9		1	后轮毂轴承螺母套筒扳手 Rear Hub Bearing Nut Socket Wrench	S120	457 桥、三菱桥 457 Axle, MITSUBISHI Axle	视需要选配 On-Demand
		1	后轮毂轴承螺母套筒扳手 Rear Hub Bearing Nut Socket Wrench	S112	435 桥 435 Axle	视需要选配 On-Demand
10		1	转向锁紧螺母扳手 Steering Lock Nut Wrench	S75		视需要选配 On-Demand

随车工具 / DRIVER'S TOOL

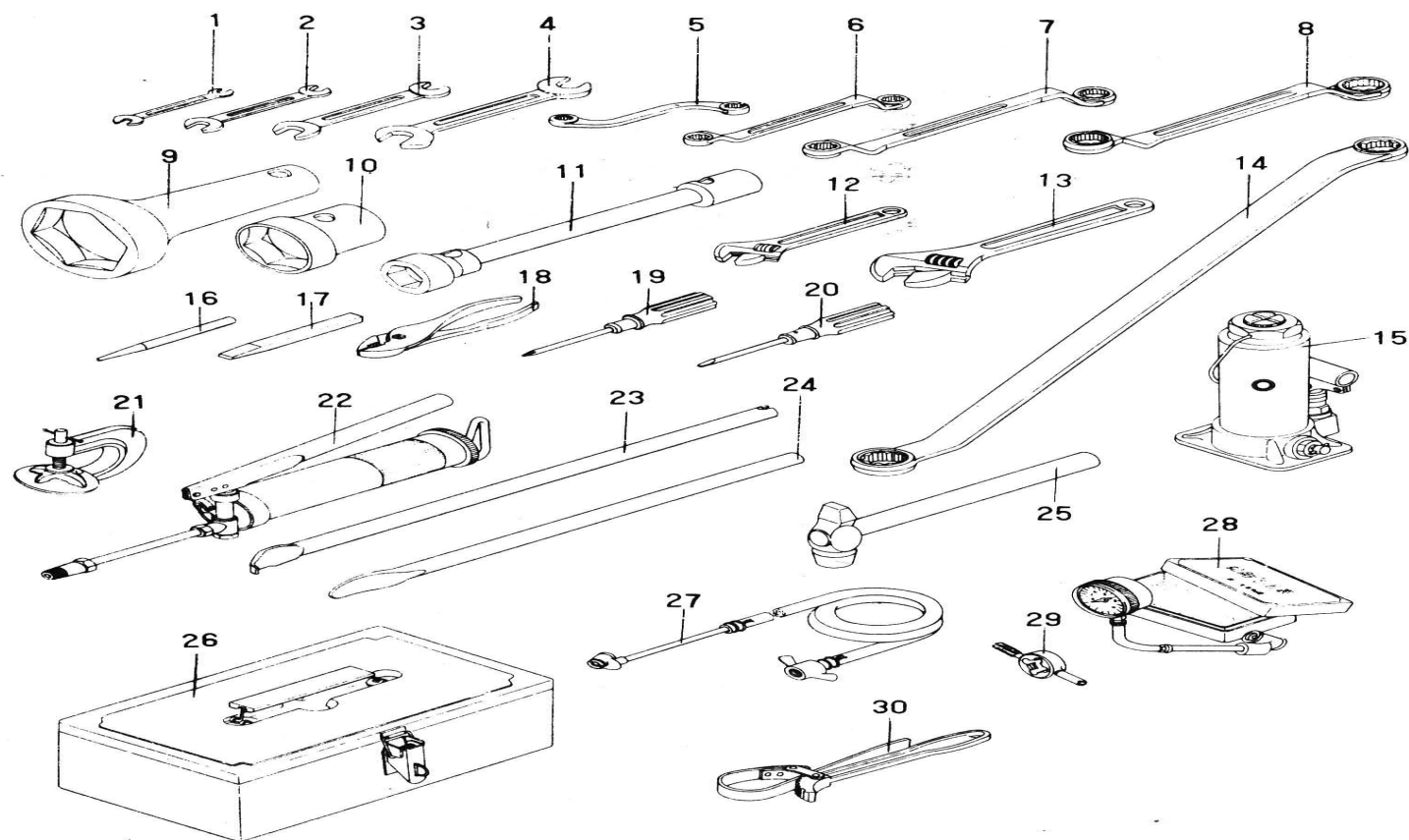
39-A



序号 No.	件号 Part No.	数量 Quantity	名称 Name	规格 Specification	适用产品 Products Applied	备注 Remark
11		1	车轮螺栓螺母套筒扳手 Wheel Bolt Nut Socket Wrench	S33	10孔轮毂用 10-Hole Hub	视需要选配 On-Demand
		1	车轮螺栓螺母套筒扳手 Wheel Bolt Nut Socket Wrench	21(方)×41 21(Square)×41	8孔轮毂用 8-Hole Hub	视需要选配 On-Demand
12		1	小活动扳手总成 Small Monkey Wrench Assembly			视需要选配 On-Demand
13		1	大活动扳手总成 Big Monkey Wrench Assembly			视需要选配 On-Demand
14		1	梅花扳手 Double Offset Ring Spanner	30×36		视需要选配 On-Demand
15		1	20吨手动立式液压千斤顶 20-Ton Vertical Hand Hydraulic Jack			视需要选配 On-Demand
16		1	冲子 Punching Pin			视需要选配 On-Demand
17		1	凿子 Chisel			视需要选配 On-Demand
18		1	鲤鱼钳总成 Slip Joint Pliers Assembly			视需要选配 On-Demand
19		1	十字形起子总成 Cross Head Screwdriver			视需要选配 On-Demand
20		1	一字形起子总成 Minus Screwdriver Assembly			视需要选配 On-Demand
		1	两用起子总成 Dual-Purpose Screwdriver Assembly			视需要选配 On-Demand
21		1	补胎卡子总成 Tire Repair Clip Assembly			视需要选配 On-Demand
22		1	滑脂枪总成 Grease Squirt Assembly			视需要选配 On-Demand

随车工具 / DRIVER'S TOOL

39-A



序号 No.	件号 Part No.	数量 Quantity	名称 Name	规格 Specification	适用产品 Products Applied	备注 Remark
23		1	轮胎撬棒兼千斤顶摇臂 Tire Lever,Also Jack Rocker Arm			视需要选配 On-Demand
24		1	轮胎撬棒兼套筒扳手柄 Tire Lever,Also Socket Wrench Handle			视需要选配 On-Demand
25		1	手锤总成 Hand Hammer Assembly			视需要选配 On-Demand
26		1	随车工具箱总成 Tool Equipment Box Assembly			视需要选配 On-Demand
27		1	轮胎打气软管总成 Tire Inflating Hose Assembly			视需要选配 On-Demand
28		1	轮胎气压表及表盒总成 Tire Pressure Gauge and Box Assembly			视需要选配 On-Demand
29		1	气门芯多用扳手 Valve Core Multi-Purpose Wrench			视需要选配 On-Demand
30		1	滤清器扳手总成 Filter Wrench Assembly			视需要选配 On-Demand
31		1	内六角扳手 Allen Wrench	6mm		视需要选配 On-Demand
		1	备胎架摇臂 Spare Tire Carrier Rocker Arm			视需要选配 On-Demand
		1	备胎架摇把 Spare Tire Carrier Cranking Bar			视需要选配 On-Demand
		1	电动翻转手柄 Electrical Overturn Handle			视需要选配 On-Demand
		1	工作灯总成 Working Light Assembly			视需要选配 On-Demand
		1	故障警示牌 Malfuntion Warning Plate			视需要选配 On-Demand

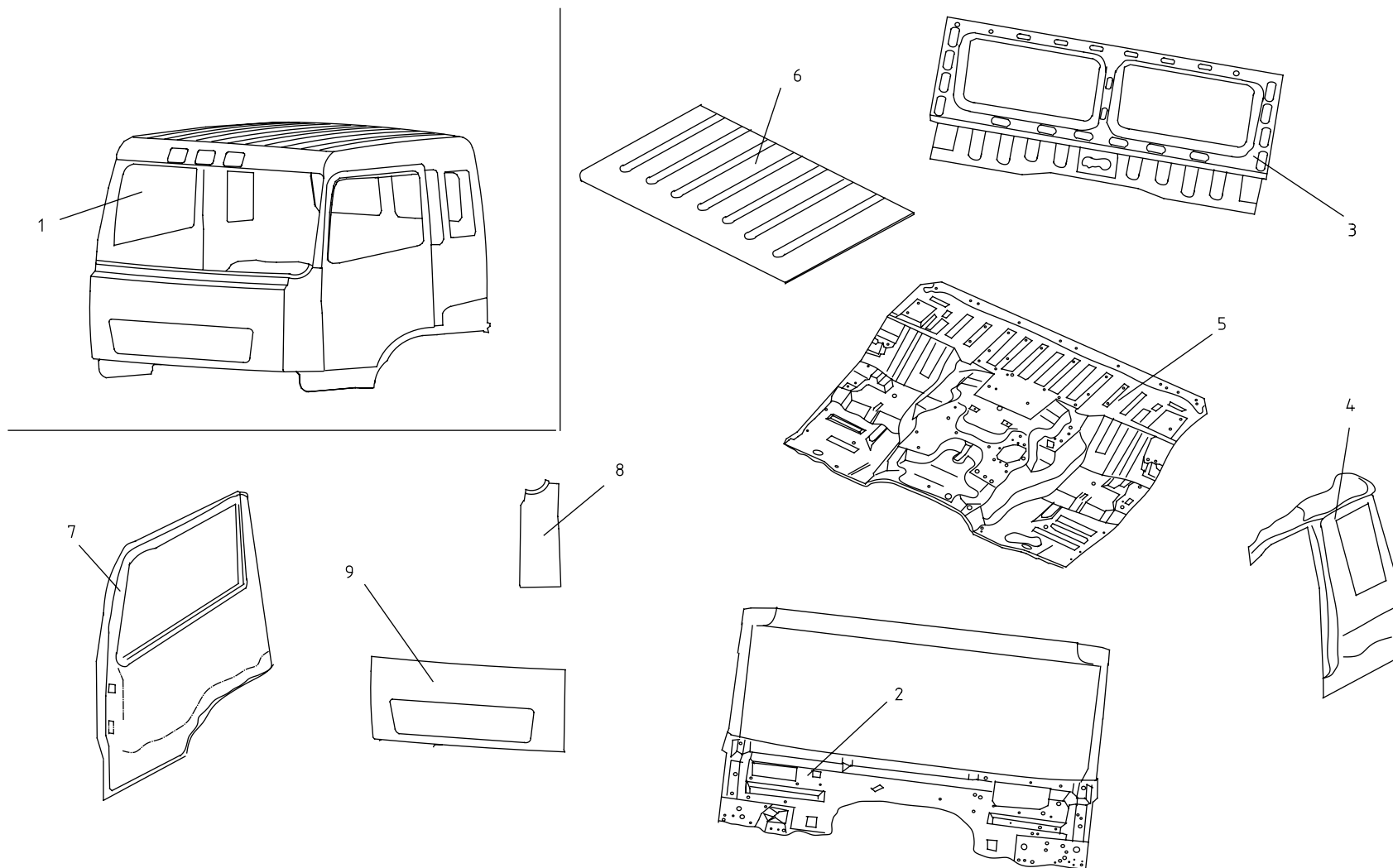
50

车身系统

BODY SYSTEM

驾驶室总成 / CAB ASSEMBLY

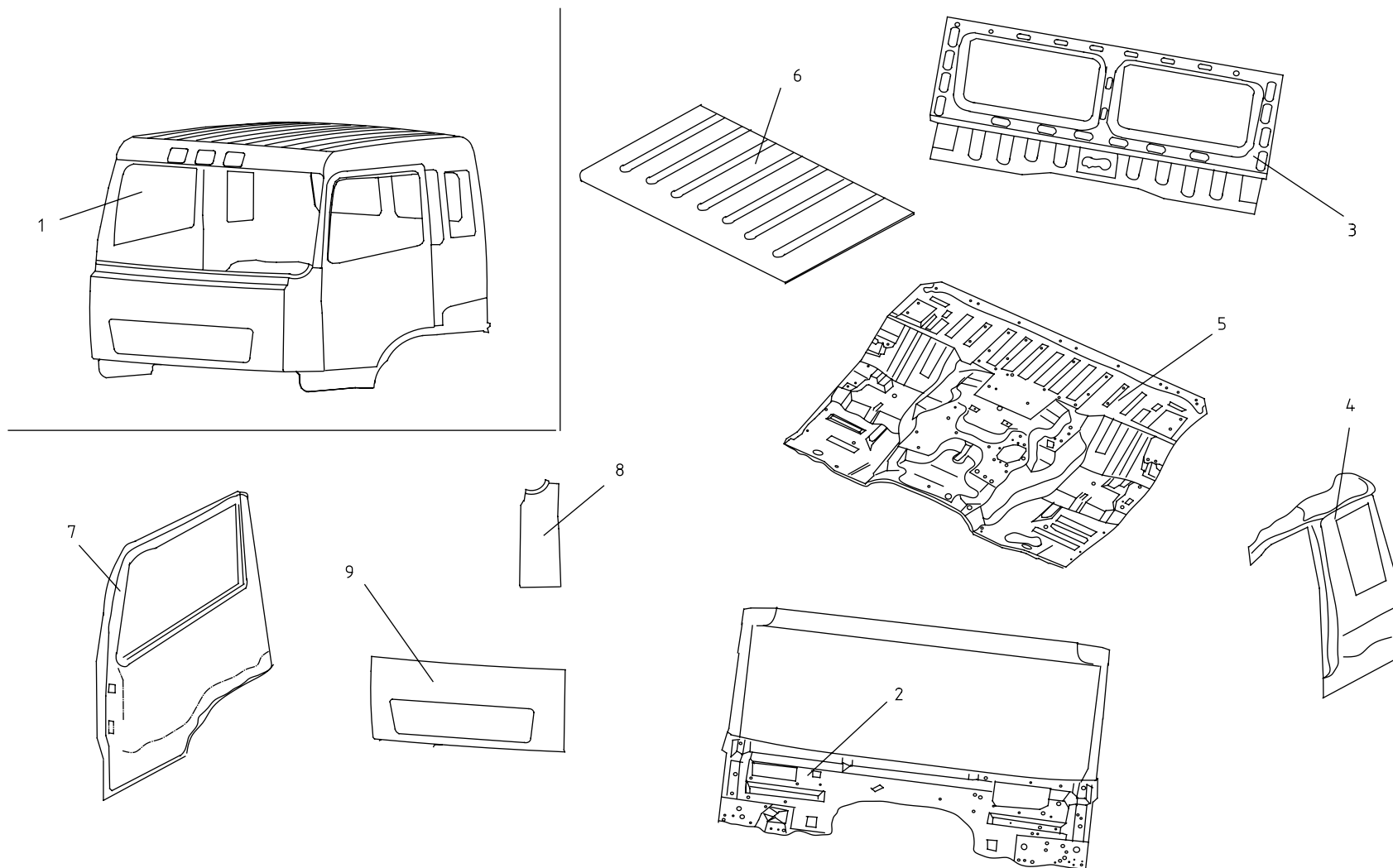
50-A



序号 No.	件号 Part No.	数量 Quantity	名称 Name	规格 Specification	适用产品 Products Applied	备注 Remark
1	50C-00014	1	驾驶室总成 - 已喷漆 Cab Assembly-Painted		非牵引车 Non-Tractor	顶部有导流罩孔 W/Dome Hole On The Roof
	50ADP-00014	1	驾驶室总成 - 已喷漆 Cab Assembly-Painted		非牵引车 Non-Tractor	顶部无导流罩孔 W/o Dome Hole On The Roof
	50A4DQ-00014	1	驾驶室总成 - 已喷漆 Cab Assembly-Painted		康明斯系列发动机牵引车 CUMMINS Series Engine Tractor	
	50ADQ-00014	1	驾驶室总成 - 已喷漆 Cab Assembly-Painted		加装 ABS 斯太尔系列发动机牵引车 SYEYR Engine Tractor With ABS	
	50E-00014	1	驾驶室总成 - 已喷漆 Cab Assembly-Painted		欧款非牵引车系列 Europe Non-Tractor Series	
	50EQ-00014	1	驾驶室总成 - 已喷漆 Cab Assembly-Painted		欧款牵引车系列 Europe Tractor Series	
2	53A1-01010	1	前围焊接总成 Cowl Welding Assembly			
3	56A1-01010	1	后围焊接总成 Back Wall Welding Assembly			
4	54B1-00009	1	左侧围焊接总成 Quarter Welding Assembly LH		非牵引车 Non-Tractor	
	54ADQ-00009	1	左侧围焊接总成 Quarter Welding Assembly LH		牵引车 Tractor	
	54B1-00010	1	右侧围焊接总成 Quarter Welding Assembly RH		非牵引车 Non-Tractor	
	54ADQ-00010	1	右侧围焊接总成 Quarter Welding Assembly RH		牵引车 Tractor	
	54E-00009/10	1	左 / 右侧围焊接总成 Quarter Welding Assembly LH/RH		欧款系列 Europe Series	
5	51A-00001	1	地板焊接总成 Floor Welding Assembly			

驾驶室总成 / CAB ASSEMBLY

50-A



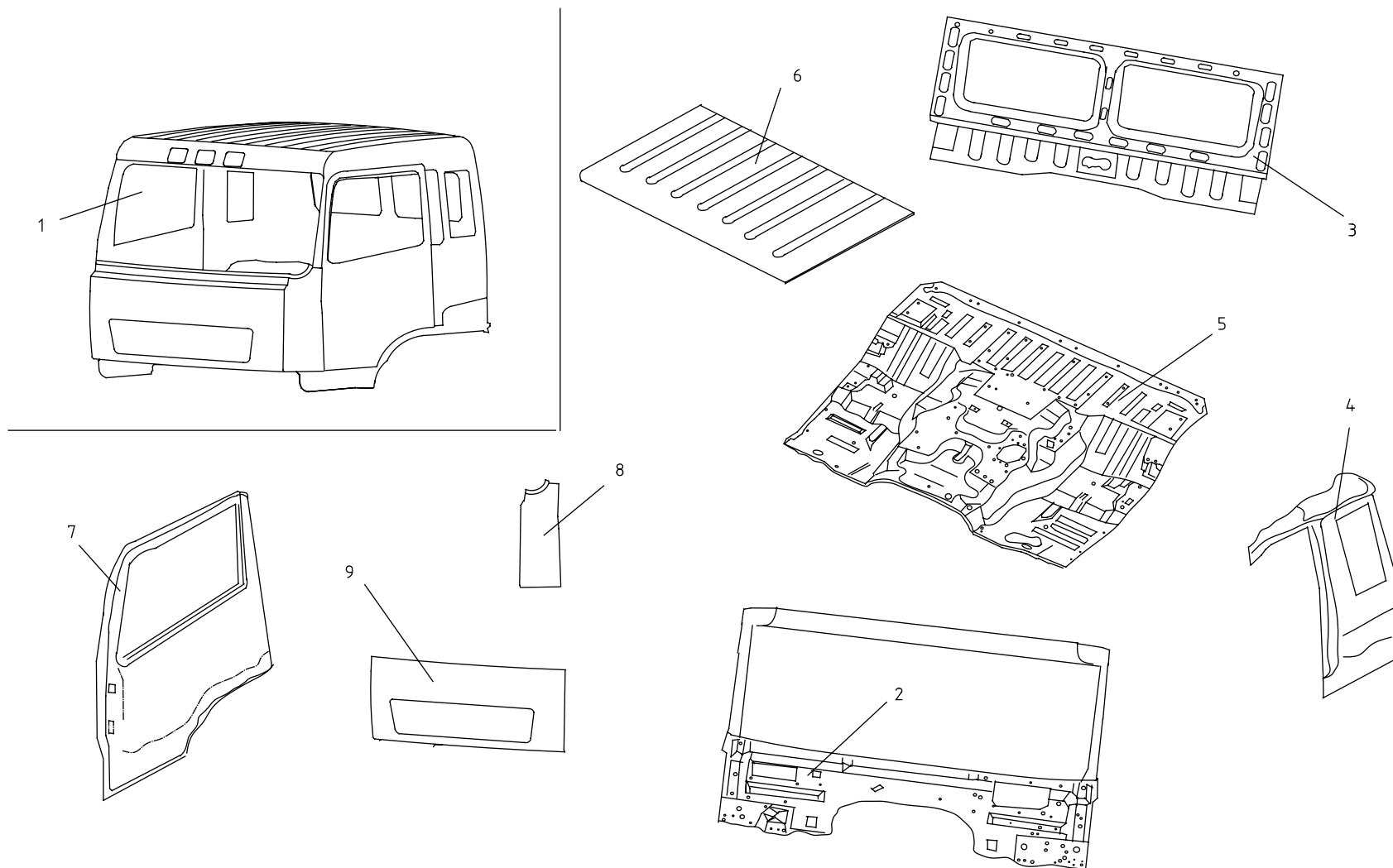
车身系统 / BODY SYSTEM

50-4

序号 No.	件号 Part No.	数量 Quantity	名称 Name	规格 Specification	适用产品 Products Applied	备注 Remark
6	57B1-01010	1	顶盖总成 Roof Assembly			
7	61B1-01009	1	左车门焊接总成 Door Welding Assembly LH			
	61B1-01010	1	右车门焊接总成 Door Welding Assembly RH			
8	53B1-01369	1	左外侧板总成 Outer Side Panel Assembly LH			
	53B1-01370	1	右外侧板总成 Outer Side Panel Assembly RH			
9	84A1-01010	1	前盖板焊接总成 Front Panel Welding Assembly			

窄体驾驶室总成 / NARROW CAB ASSEMBLY

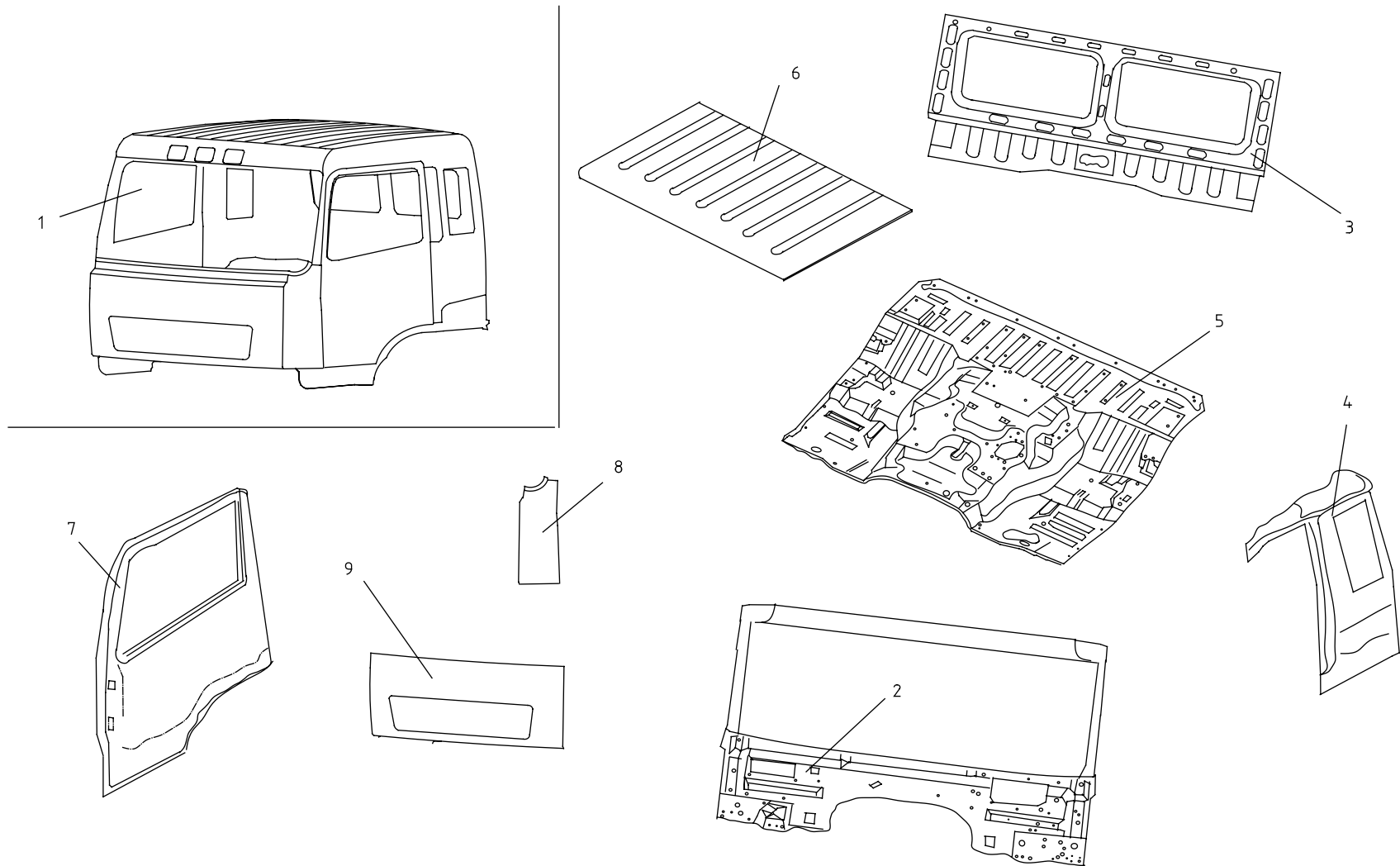
50-B



序号 No.	件号 Part No.	数量 Quantity	名称 Name	规格 Specification	适用产品 Products Applied	备注 Remark
1	50A5-00014	1	驾驶室总成 - 已喷漆 Cab Assembly-Painted		窄体非牵引车系列 Narrow Cab Non-Tractor Series	
	50A5DQ-00014	1	驾驶室总成 - 已喷漆 Cab Assembly-Painted		窄体牵引车系列 Narrow Cab Tractor Series	
2	53A5-01010	1	前围焊接总成 Cowl Welding Assembly		窄体系列 Narrow Cab Series	
3	56A5-01010	1	后围焊接总成 Back Wall Welding Assembly		窄体系列 Narrow Cab Series	
4	54B1-00009	1	左侧围焊接总成 Quarter Welding Assembly LH		非牵引车 Non-Tractor	
	54ADQ-00009	1	左侧围焊接总成 Quarter Welding Assembly LH		牵引车 Tractor	
	54B1-00010	1	右侧围焊接总成 Quarter Welding Assembly RH		非牵引车 Non-Tractor	
	54ADQ-00010	1	右侧围焊接总成 Quarter Welding Assembly RH		牵引车 Tractor	
5	51A5-00001	1	地板焊接总成 Floor Welding Assembly		窄体系列 Narrow Cab Series	
6	57B15-01010	1	顶盖总成 Roof Assembly		窄体系列 Narrow Cab Series	
7	61B1-01009	1	左车门焊接总成 Door Welding Assembly LH			
	61B1-01010	1	右车门焊接总成 Door Welding Assembly RH			
8	53B15-01369	1	左外侧板总成 Outer Side Panel LH		窄体系列 Narrow Cab Series	
	53B15-01370	1	右外侧板总成 Outer Side Panel RH		窄体系列 Narrow Cab Series	

窄体驾驶室总成 / NARROW CAB ASSEMBLY

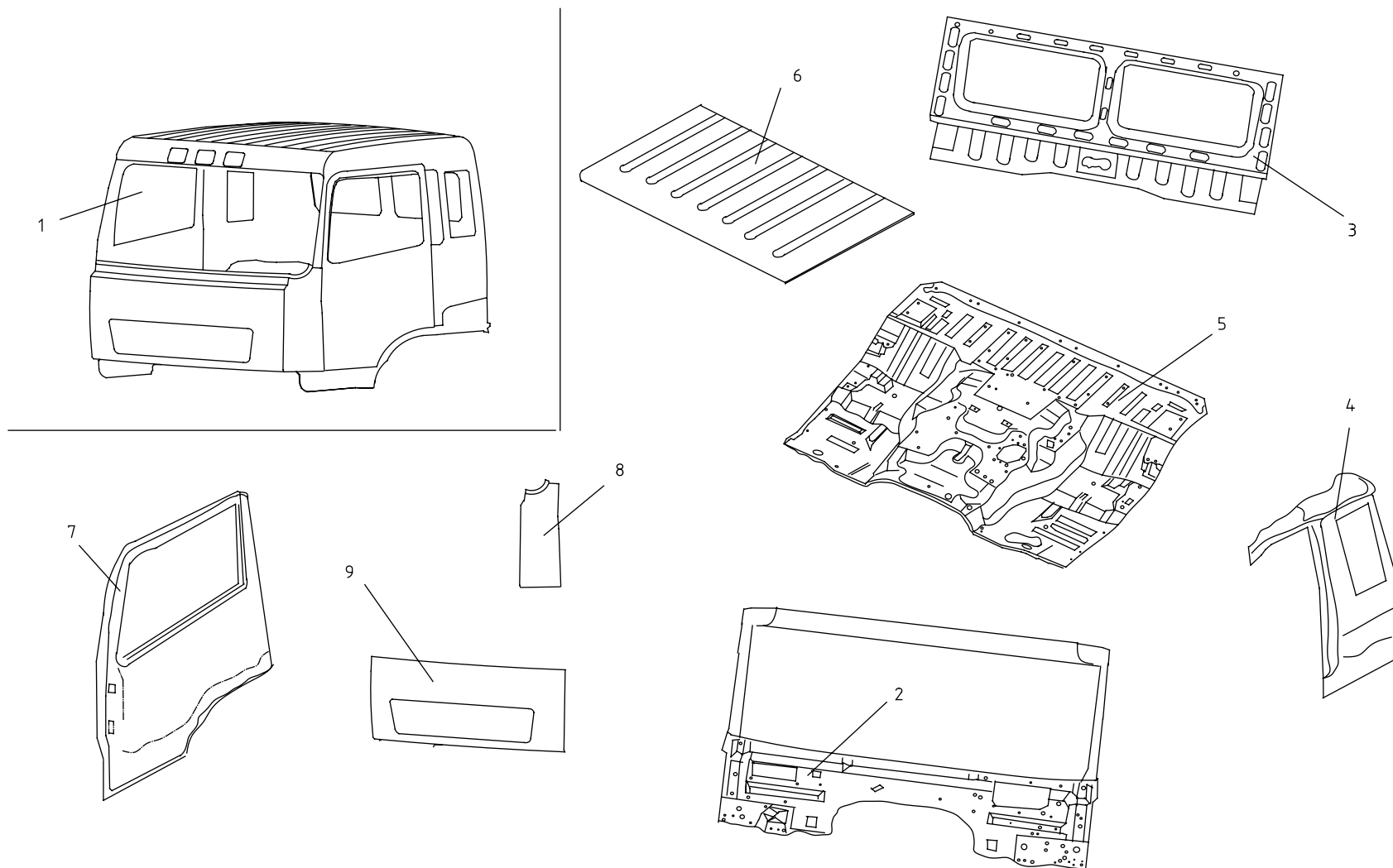
50-B



序号 No.	件号 Part No.	数量 Quantity	名称 Name	规格 Specification	适用产品 Products Applied	备注 Remark
9	84A15-01010	1	前盖板焊接总成 Front Panel Welding Assembly		窄体系列 Narrow Cab Series	

右驾驾驶室总成 / CAB ASSEMBLY FOR RHD

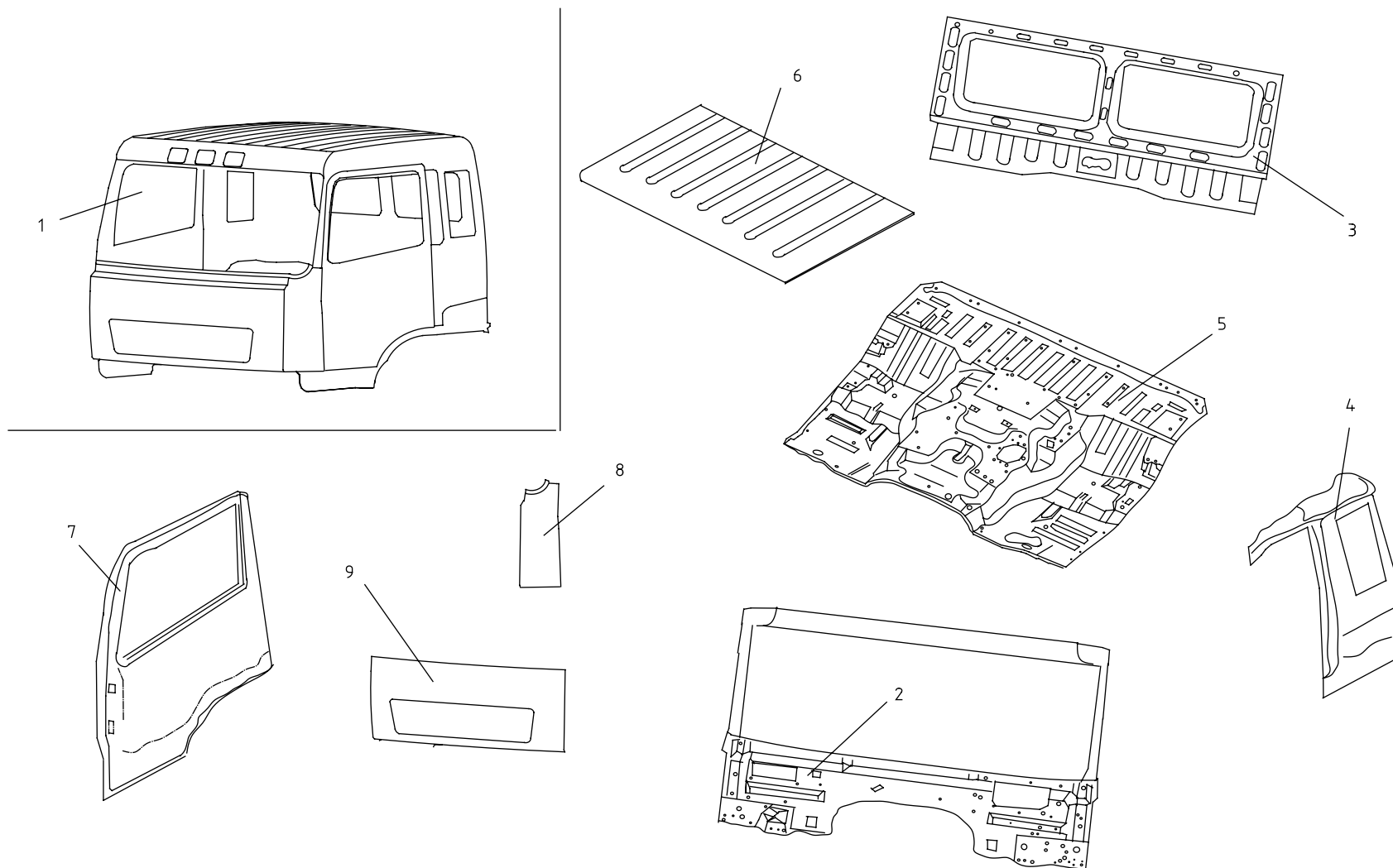
50-C



序号 No.	件号 Part No.	数量 Quantity	名称 Name	规格 Specification	适用产品 Products Applied	备注 Remark
1	50EY-00014	1	驾驶室总成 - 已喷漆 Cab Assembly-Painted		欧款右驾非牵引车系列 Europe RHD Non-Tractor Series	
	50EYQ-00014	1	驾驶室总成 - 已喷漆 Cab Assembly-Painted		欧款右驾牵引车系列 Europe RHD Tractor Series	
2	53AY-01010	1	前围焊接总成 Cowl Welding Assembly		右驾系列 RHD Series	
3	56A1-01010	1	后围焊接总成 Back Wall Welding Assembly			
4	54B1-00009	1	左侧围焊接总成 Quarter Welding Assembly LH		非牵引车 Non-Tractor	
	54ADQ-00009	1	左侧围焊接总成 Quarter Welding Assembly LH		牵引车 Tractor	
	54E-00009	1	左侧围焊接总成 Quarter Welding Assembly LH		欧款系列 Europe Series	
	54B1-00010	1	右侧围焊接总成 Quarter Welding Assembly RH		非牵引车 Non-Tractor	
	54ADQ-00010	1	右侧围焊接总成 Quarter Welding Assembly RH		牵引车 Tractor	
	54E-00010	1	右侧围焊接总成 Quarter Welding Assembly RH		欧款系列 Europe Series	
5	51AY-00001	1	地板焊接总成 Floor Welding Assembly		右驾系列 RHD Series	
6	57B1-01010	1	顶盖总成 Roof Assembly			
7	61AY-01009	1	左车门焊接总成 Door Welding Assembly LH		右驾系列 RHD Series	
	61AY-01010	1	右车门焊接总成 Door Welding Assembly RH		右驾系列 RHD Series	

右驾驾驶室总成 / CAB ASSEMBLY FOR RHD

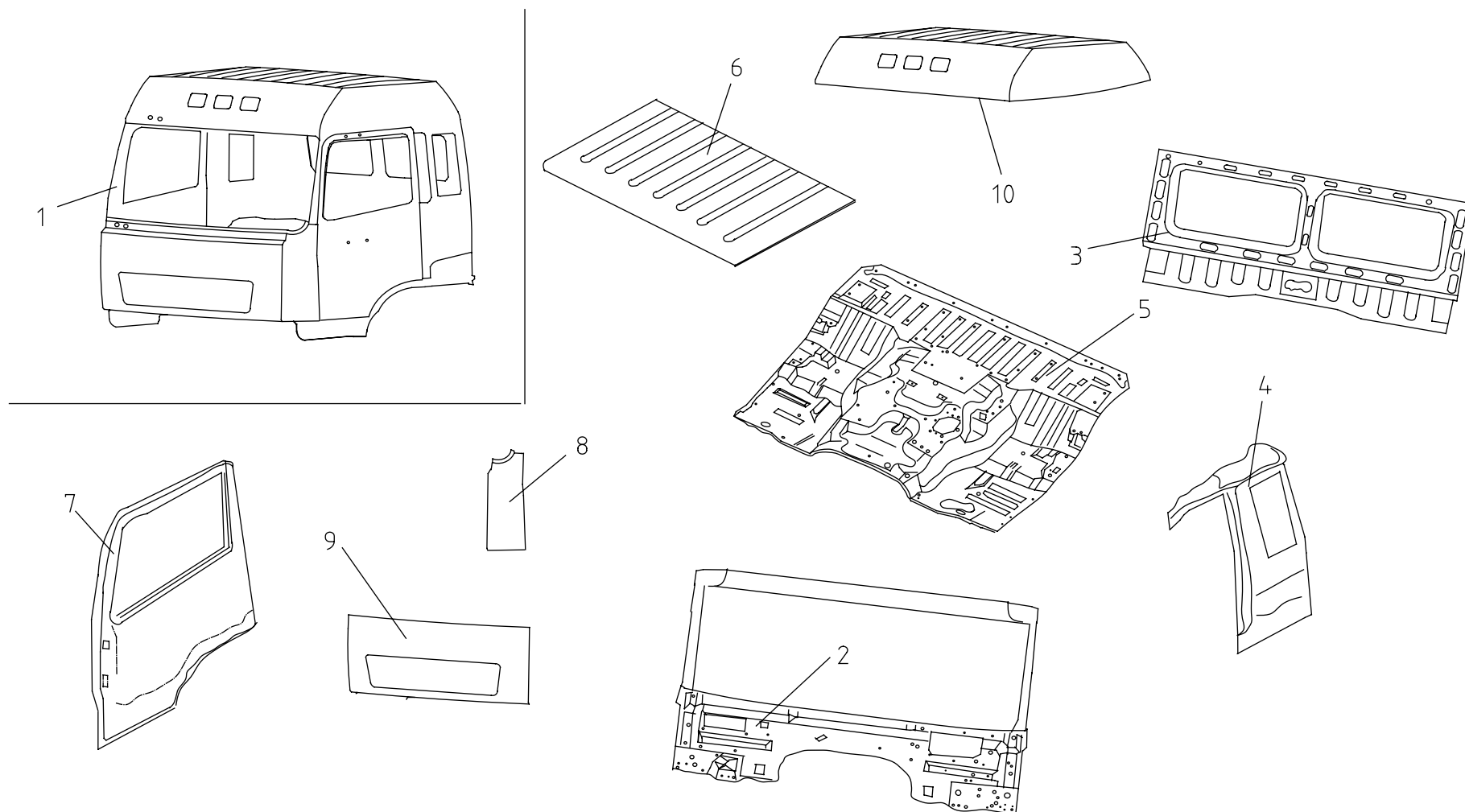
50-C



序号 No.	件号 Part No.	数量 Quantity	名称 Name	规格 Specification	适用产品 Products Applied	备注 Remark
8	53B1-01369	1	左外侧板总成 Outer Side Panel LH			
	53B1-01370	1	右外侧板总成 Outer Side Panel RH			
9	84A1-01010	1	前盖板焊接总成 Front Panel Welding Assembly			

驾驶室总成 / CAB ASSEMBLY

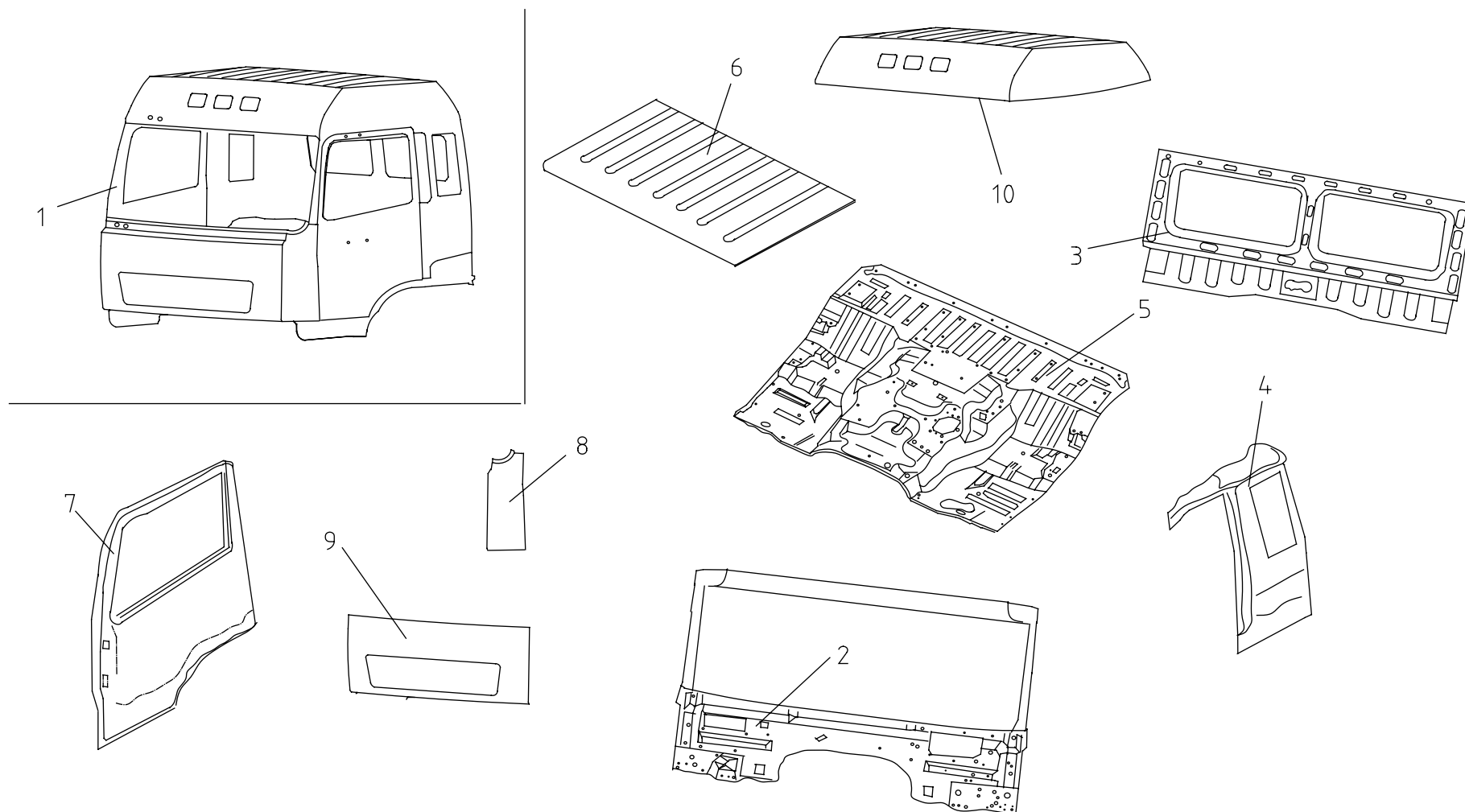
50-D



序号 No.	件号 Part No.	数量 Quantity	名称 Name	规格 Specification	适用产品 Products Applied	备注 Remark
1	50G-00014	1	驾驶室总成 - 已喷漆 Cab Assembly-Painted		50-D 部分为高顶驾驶室专用 50-D Only For High Roof Cab	
	50GDQ-00014	1	驾驶室总成 - 已喷漆 Cab Assembly-Painted		加装 ABS 斯太尔系列发动机 STEYR Series Engine With ABS	
	50EG-00014	1	驾驶室总成 - 已喷漆 Cab Assembly-Painted		欧款高顶非牵引车系列 Europe High Roof Non-Tractor Series	
	50EGQ-00014	1	驾驶室总成 - 已喷漆 Cab Assembly-Painted		欧款高顶牵引车系列 Europe High Roof Tractor Series	
2	53A1-01010	1	前围焊接总成 Cowl Welding Assembly			
3	56A1-01010	1	后围焊接总成 Back Wall Welding Assembly			
4	54G-00009	1	左侧围焊接总成 Quarter Welding Assembly LH			
	54G-00010	1	右侧围焊接总成 Quarter Welding Assembly RH			
	54EG-00009/10	1	左 / 右侧围焊接总成 Quarter Welding Assembly LH/RH		欧款高顶系列 Europe High Roof Series	
5	51A-00001	1	地板焊接总成 Floor Welding Assembly			
6	57G-01010	1	中顶盖总成 Middle Roof Assembly			
7	61B1-01009	1	左车门焊接总成 Door Welding Assembly LH			
	61B1-01010	1	右车门焊接总成 Door Welding Assembly RH			
8	53B1-01369	1	左外侧板总成 Outer Side Panel LH			

驾驶室总成 / CAB ASSEMBLY

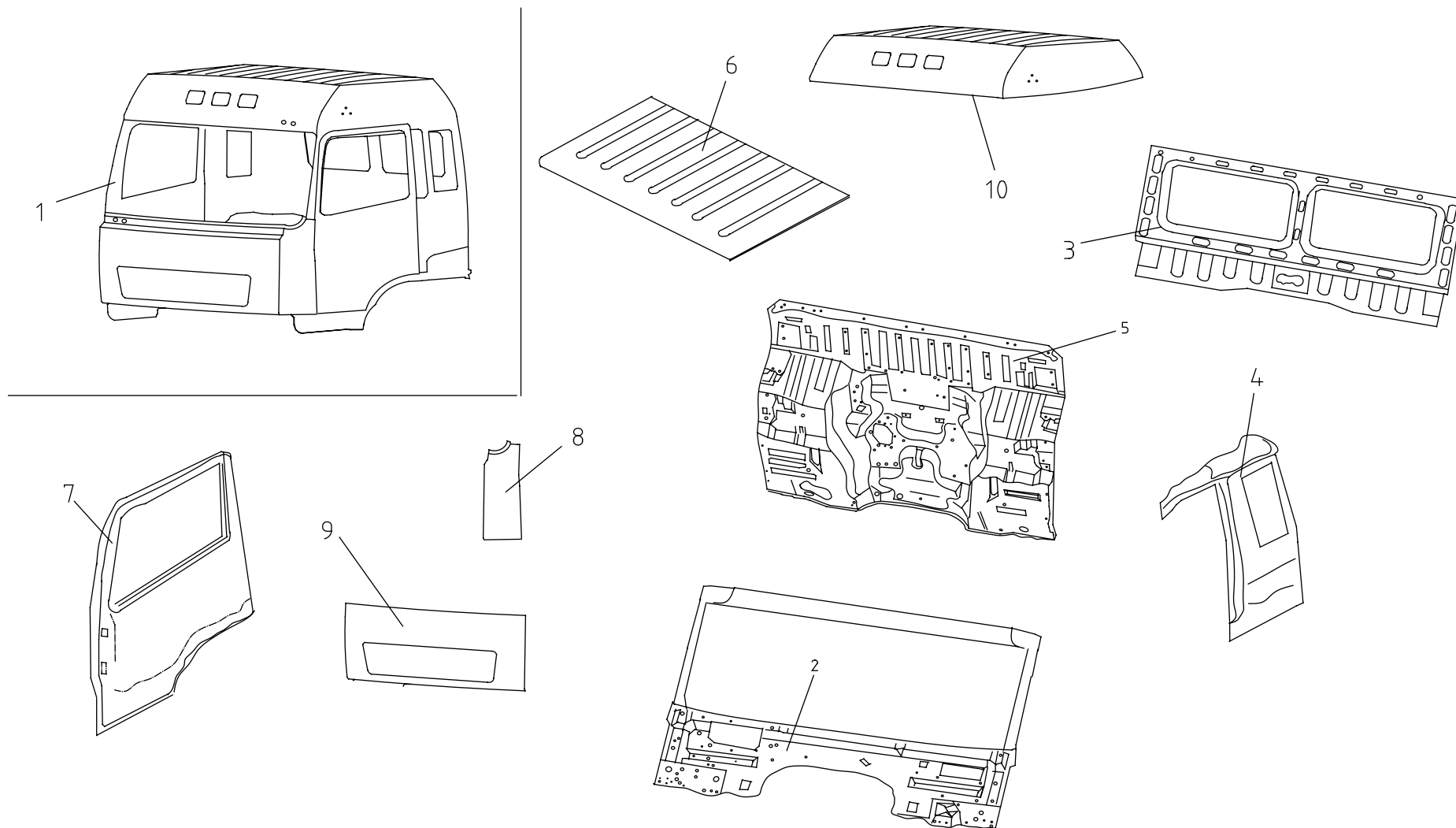
50-D



序号 No.	件号 Part No.	数量 Quantity	名称 Name	规格 Specification	适用产品 Products Applied	备注 Remark
8	53B1-01370	1	右外侧板总成 Outer Side Panel RH			
9	84A1-01010	1	前盖板焊接总成 Front Panel Welding Assembly			
10	57G-02005	1	顶盖总成 Roof Assembly			
	57EG-02005	1	顶盖总成 Roof Assembly		欧款高顶系列 Europe High Roof Series	

右驾驾驶室总成 / CAB ASSEMBLY FOR RHD

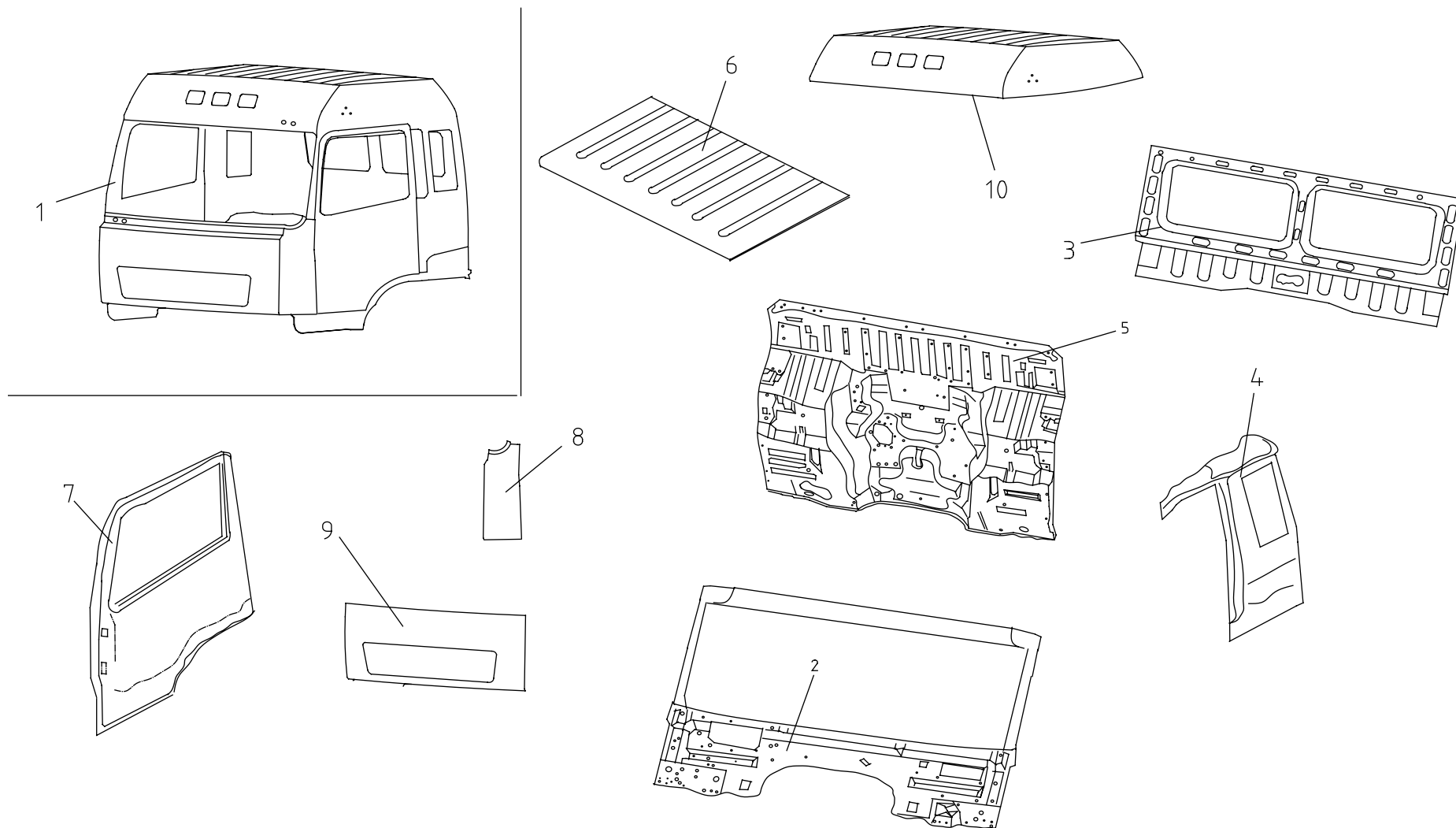
50-E



序号 No.	件号 Part No.	数量 Quantity	名称 Name	规格 Specification	适用产品 Products Applied	备注 Remark
1	50EYG-00014	1	驾驶室总成 - 已喷漆 Cab Assembly-Painted		欧款右驾高顶非牵引车系列 Europe RHD High Roof Non-Tractor Series	
	50EYGQ-00014	1	驾驶室总成 - 已喷漆 Cab Assembly-Painted		欧款右驾高顶牵引车系列 Europe RHD High Roof Tractor Series	
2	53AY-01010	1	前围焊接总成 Cowl Welding Assembly		右驾系列 RHD Series	
3	56A1-01010	1	后围焊接总成 Back Wall Welding Assembly			
4	54G-00009	1	左侧围焊接总成 Quarter Welding Assembly LH			
	54G-00010	1	右侧围焊接总成 Quarter Welding Assembly RH			
	54EG-00009	1	左侧围焊接总成 Quarter Welding Assembly LH		欧款高顶系列 Europe High Roof Series	
	54EG-00010	1	右侧围焊接总成 Quarter Welding Assembly RH		欧款高顶系列 Europe High Roof Series	
5	51AY-00001	1	地板焊接总成 Floor Welding Assembly		右驾系列 RHD Series	
6	57G-01010	1	中顶盖总成 Middle Roof Assembly			
7	61BY-01009	1	左车门焊接总成 Door Welding Assembly LH		右驾系列 RHD Series	
	61BY-01010	1	右车门焊接总成 Door Welding Assembly RH		右驾系列 RHD Series	
8	53B1-01369	1	左外侧板总成 Outer Side Panel LH			
	53B1-01370	1	右外侧板总成 Outer Side Panel RH			

右驾驾驶室总成 / CAB ASSEMBLY FOR RHD

50-E



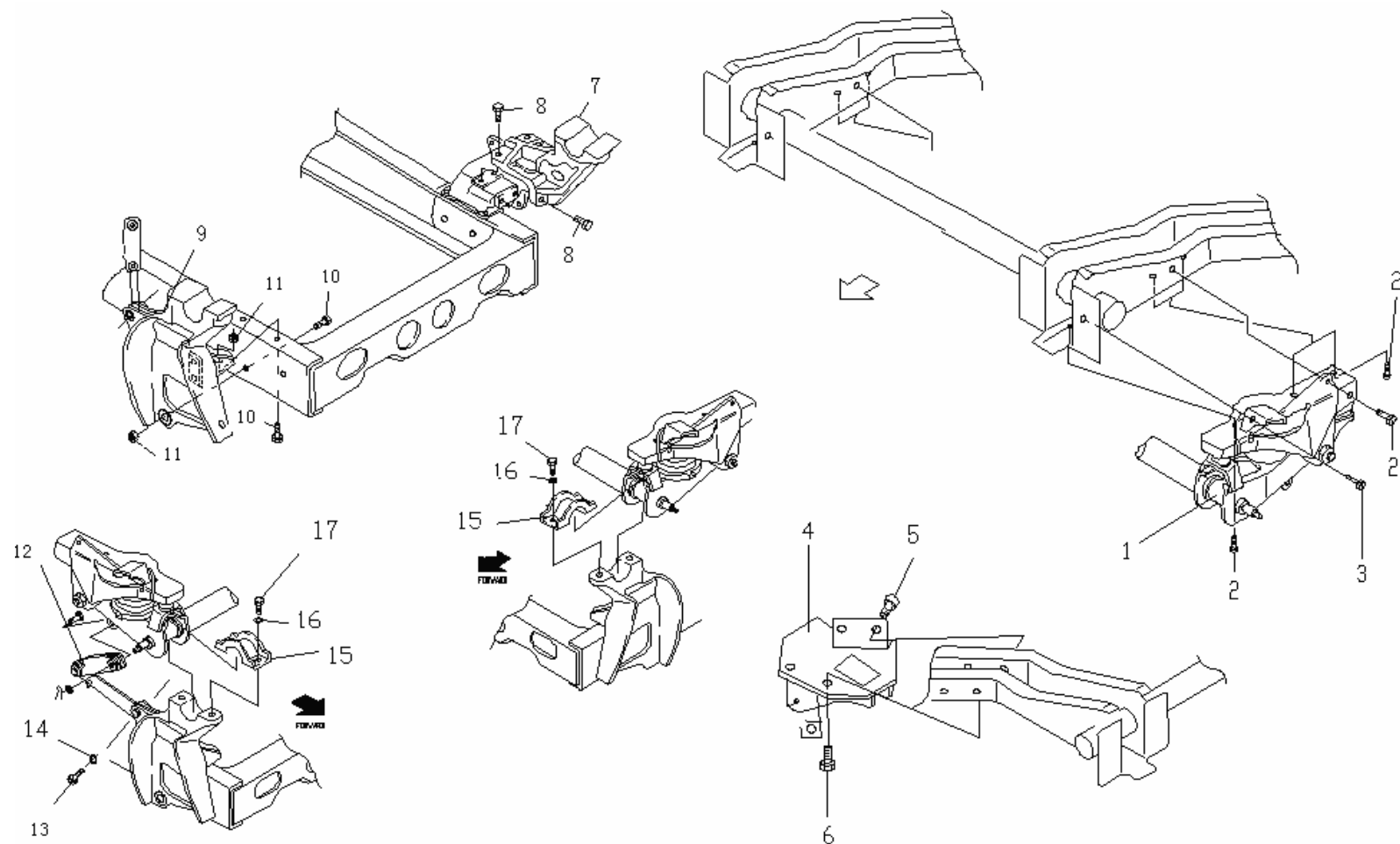
车身系统 / BODY SYSTEM

50-20

序号 No.	件号 Part No.	数量 Quantity	名称 Name	规格 Specification	适用产品 Products Applied	备注 Remark
9	84A1-01010	1	前盖板焊接总成 Front Panel Welding Assembly			
10	57YG-02005	1	顶盖总成 Roof Assembly		右驾系列 RHD Series	
	Q1461025	8	六角头组合螺栓 Hexagon Head Combination Bolt			

驾驶室前悬置 / CAB FRONT MOUNTING

50-F



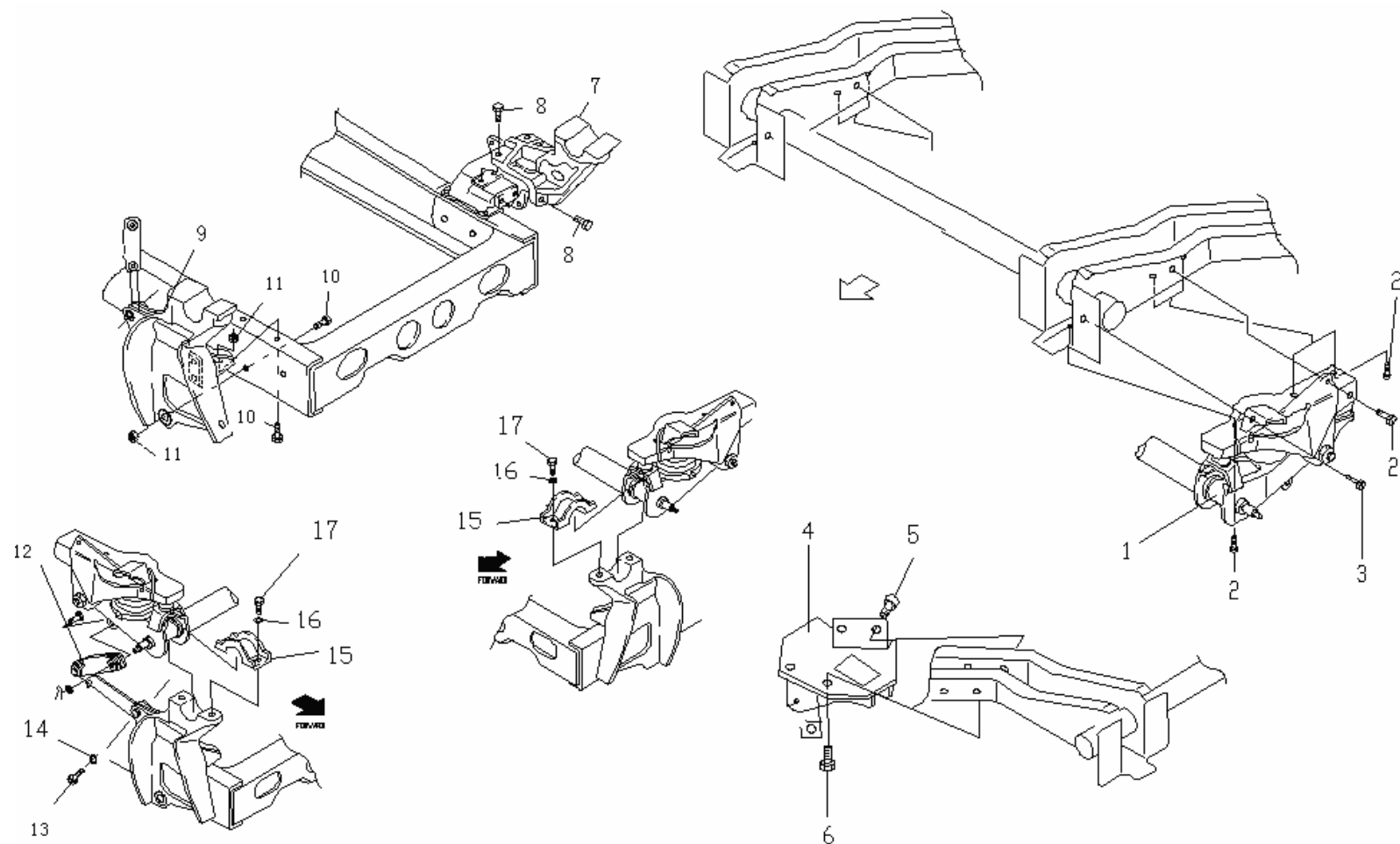
车身系统 / BODY SYSTEM

50-22

序号 No.	件号 Part No.	数量 Quantity	名称 Name	规格 Specification	适用产品 Products Applied	备注 Remark
1	50A-05010	1	前减振悬置总成 Front Damping Mounting Assembly			
	50A5-05010	1	前减振悬置总成 Front Damping Mounting Assembly		窄体系列 Narrow Cab Series	
2	Q150B1435TF3	8	六角头螺栓 Hexagon Head Bolt			
	Q40314	8	弹簧垫圈 Spring Washer			
	Q40114	8	平垫圈 Plate Washer			
3	Q150B1445TF3	2	六角头螺栓 Hexagon Head Bolt			
	Q40314	2	弹簧垫圈 Spring Washer			
	Q40114	2	平垫圈 Plate Washer			
4	50A-07030	1	举升油缸上支座总成 - 分体式 Lift Cylinder Upper Abutment Assembly-Separated Type			
	50A5-07030	1	举升油缸上支座总成 - 分体式 Lift Cylinder Upper Abutment Assembly-Separated Type		窄体系列 Narrow Cab Series	
	50AY-07030	1	举升油缸上支座总成 - 分体式 Lift Cylinder Upper Abutment Assembly-Separated Type		右驾系列 RHD Series	
	50A-05020	1	举升油缸上支座总成 - 分体式 Lift Cylinder Upper Abutment Assembly-Separated Type			
	50AK20DZ5-07030	1	举升油缸上支座总成 - 分体式 Lift Cylinder Upper Abutment Assembly-Separated Type		976 车架左驾系列 976 Frame LHD Series	

驾驶室前悬置 / CAB FRONT MOUNTING

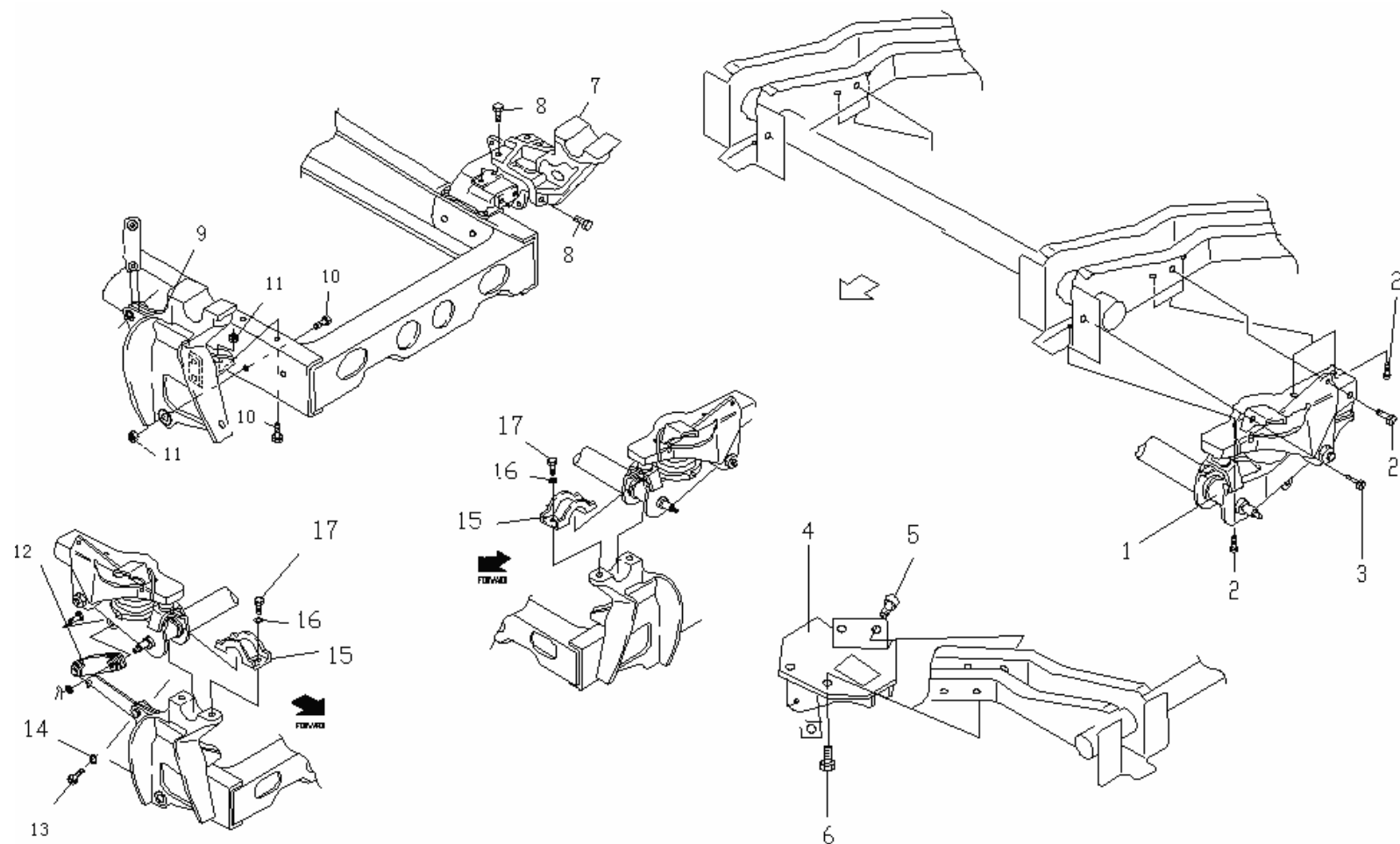
50-F



序号 No.	件号 Part No.	数量 Quantity	名称 Name	规格 Specification	适用产品 Products Applied	备注 Remark
4	50AH52DYZ4-07030	1	举升油缸上支座总成 - 分体式 Lift Cylinder Upper Abutment Assembly-Separated Type		976 车架右驾系列 976 Frame RHD Series	
5	Q1461030	2	六角头平垫圈组合螺栓 Hexagon Head Combination Bolt With Spring And Plate Washer			
6	Q1461230	2	六角头平垫圈组合螺栓 Hexagon Head Combination Bolt With Spring And Plate Washer			
7	50A3D-04046	1	左翻转支架 Tilt Bracket LH			
	50BD-04046	1	左翻转支架 Tilt Bracket LH		窄体系列 Narrow Cab Series	
	50AY-04046	1	左翻转支架 Tilt Bracket LH		右驾系列 RHD Series	
8	Q150B1645TF3	4	六角头组合螺栓 Hexagon Head Combination Bolt			
	Q40316	4	弹簧垫圈 Spring Washer			
	Q40116	4	平垫圈 Plate Washer			
9	50A3D-04048	1	右翻转支架 Tilt Bracket RH			
	50BD-04048	1	右翻转支架 Tilt Bracket RH		窄体系列 Narrow Cab Series	
	50AY-04048	1	右翻转支架 Tilt Bracket RH		右驾系列 RHD Series	

驾驶室前悬置 / CAB FRONT MOUNTING

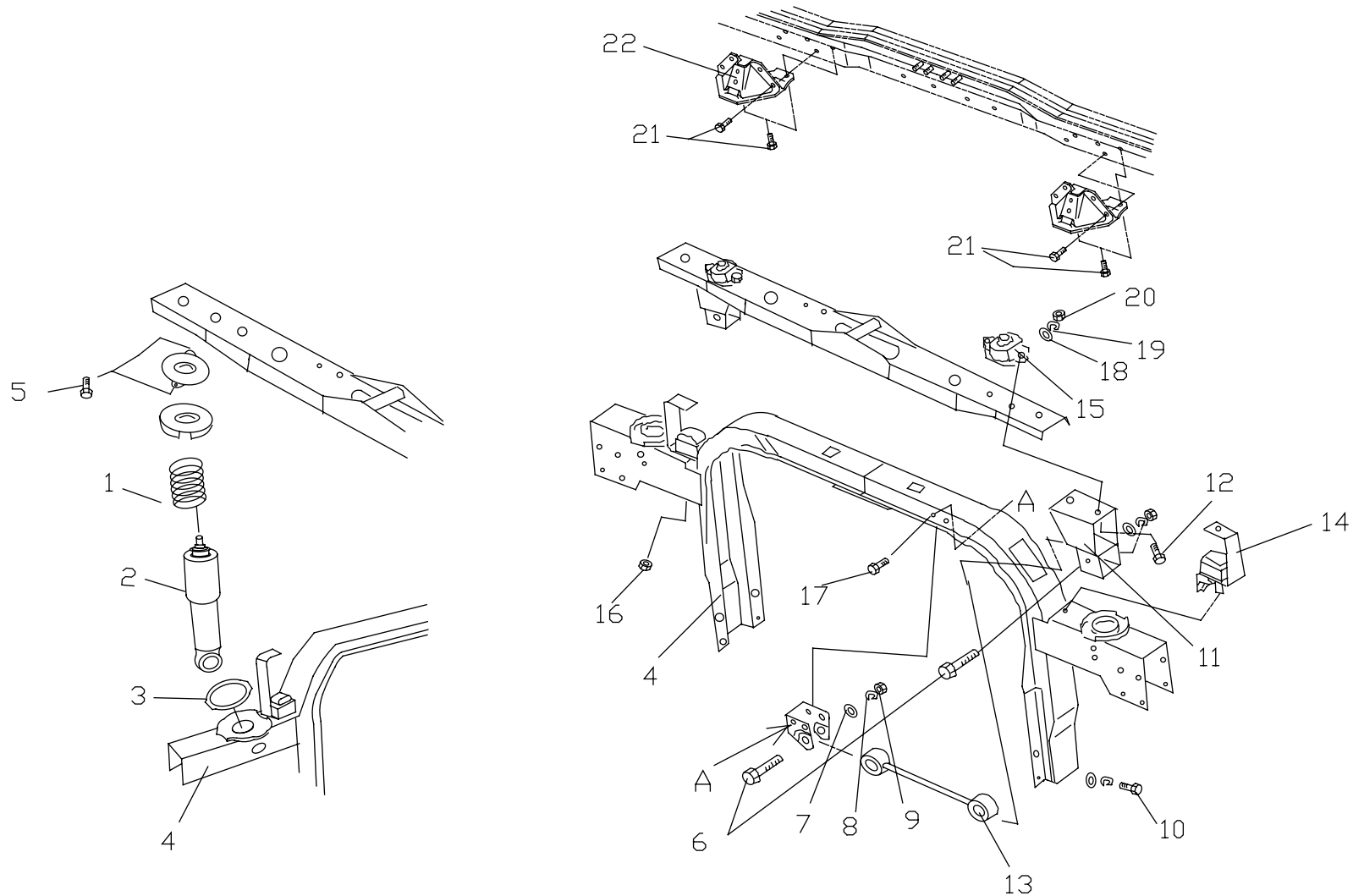
50-F



序号 No.	件号 Part No.	数量 Quantity	名称 Name	规格 Specification	适用产品 Products Applied	备注 Remark
11	Q340B16	4	六角头螺母 Hexagon Head Nut			
12	50A3D-04050	1	翻转限位拉杆总成 Tilt Limiting Lever Assembly			
13	Q151C1240	1	六角头螺栓 - 细牙 Hexagon Head Bolt-Fine			
14	Q40312	1	弹簧垫圈 Spring Washer			
15	50A-06120	2	翻转轴盖 Tilt Shaft Cover			
16	Q40314	4	弹簧垫圈 Spring Washer			
17	Q151B1430	4	六角头螺栓 - 细牙 Hexagon Head Bolt-Fine			

驾驶室后悬置 / CAB REAR MOUNTING

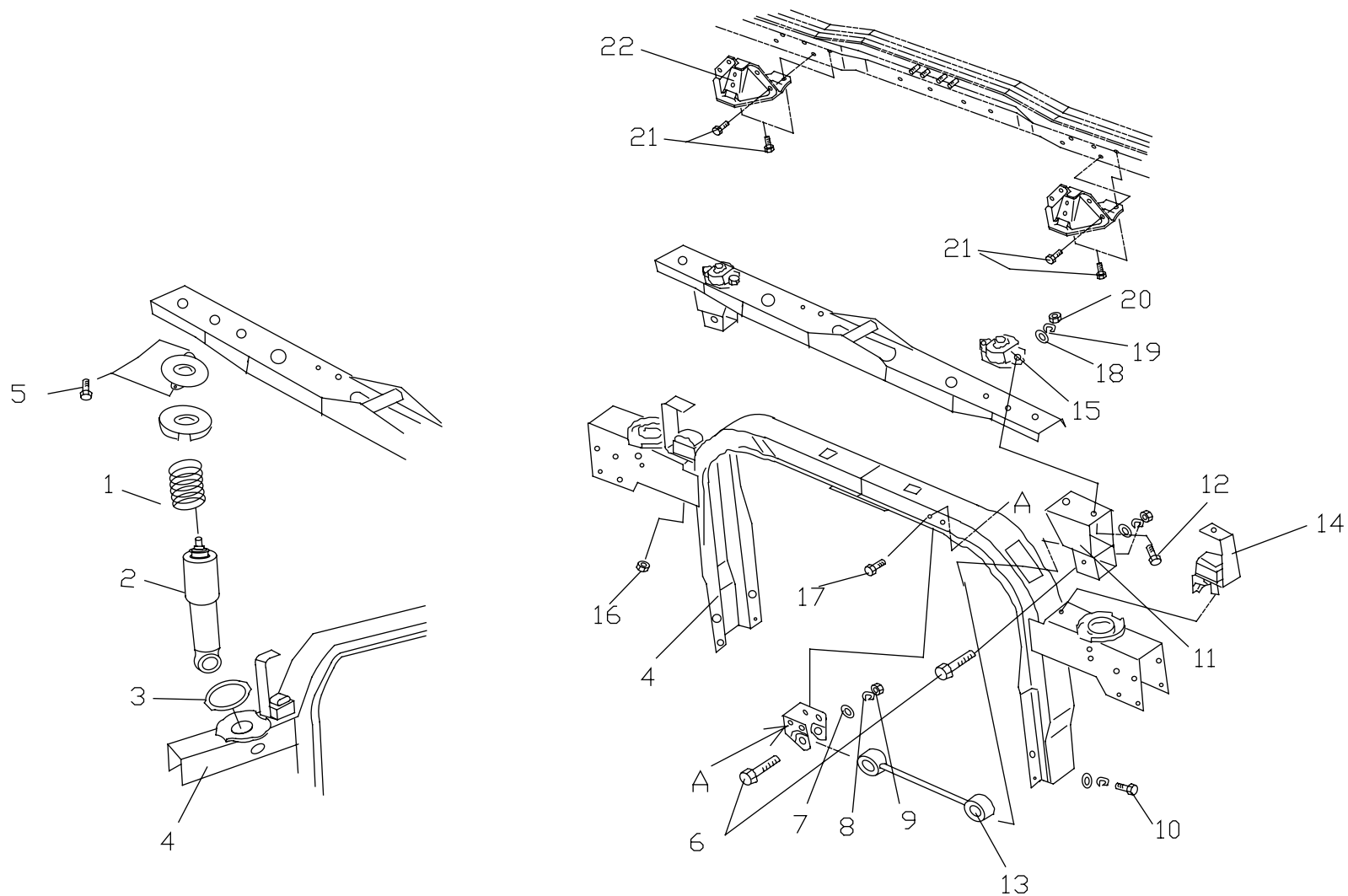
50-G



序号 No.	件号 Part No.	数量 Quantity	名称 Name	规格 Specification	适用产品 Products Applied	备注 Remark
1	50A-05035	2	后减震弹簧 Rear Damping Spring			
2	50A-05034	2	后减震器总成 Rear Shock Absorber Assembly			
3	50A-05036	4	后减震弹簧垫圈 Rear Damping Spring Washer			
4	50A3D-05030	1	后减震悬置总成 Rear Damping Mounting Assembly		非牵引车 Non-Tractor	
	50A3DQ-05030	1	后减震悬置总成 Rear Damping Mounting Assembly		牵引车 Tractor	
	50A5-05030	1	后减震悬置总成 Rear Damping Mounting Assembly		窄体系列 Narrow Cab Series	
	50AK20DZ5-05030	1	后减震悬置总成 Rear Damping Mounting Assembly		976 车架系列 976 Frame Series	
5	Q1460820	4	六角头组合螺栓 Hexagon Head Combination Bolt			
6	Q150B1480	2	六角头螺栓 Hexagon Head Bolt			
7	Q40114	2	平垫圈 Plate Washer			
8	Q40314	2	弹簧垫圈 Spring Washer			
9	Q340B14	2	I 型六角螺母 Hexagon Full Nut			
10	Q151B1450TF3	8	六角头组合螺栓 - 细牙 Hexagon Head Combination Bolt-Fine		康明斯系列发动机专用 Only For CUMMINS Series Engine	
	Q40114	8	平垫圈 Plate Washer			

驾驶室后悬置 / CAB REAR MOUNTING

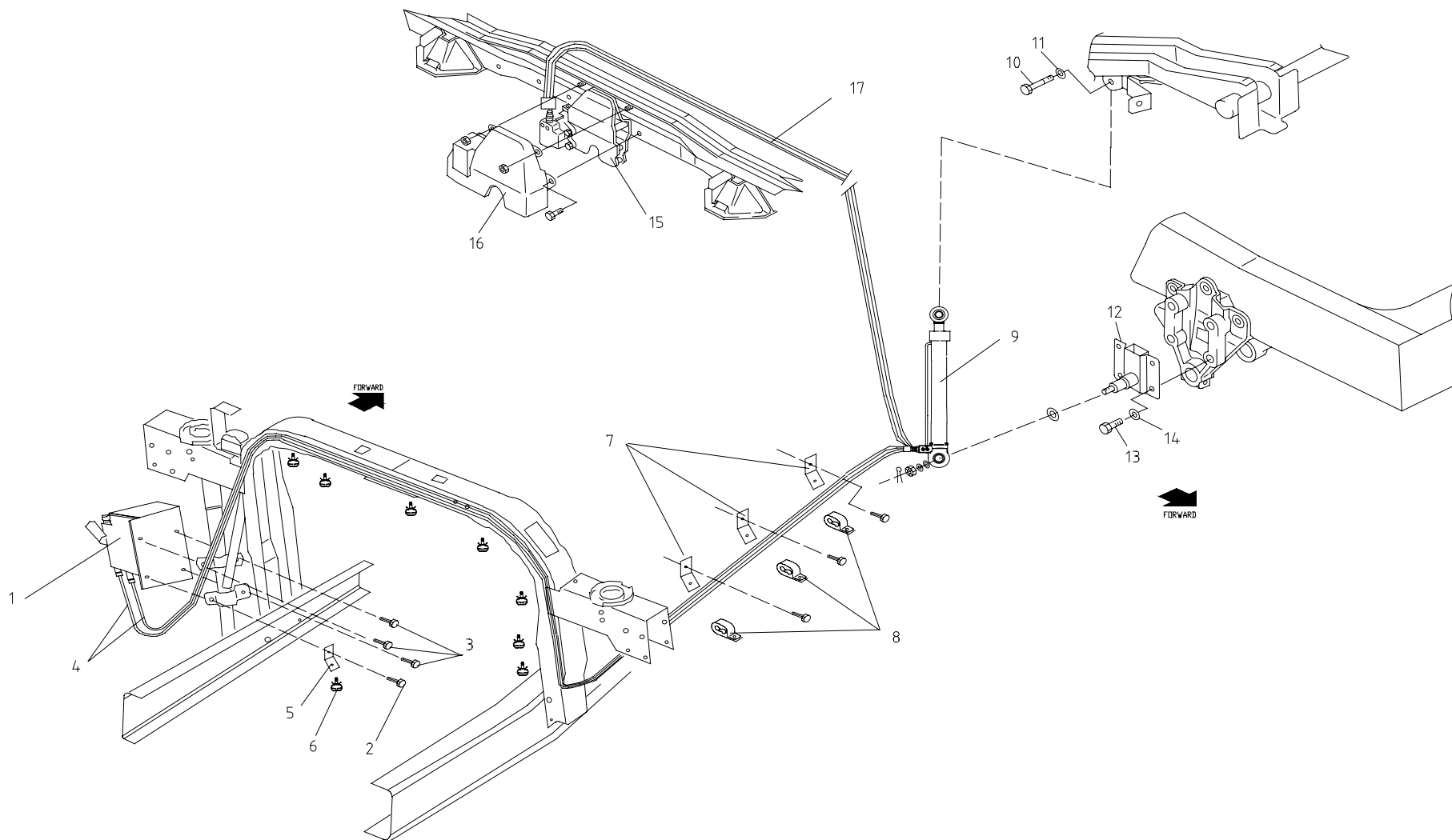
50-G



序号 No.	件号 Part No.	数量 Quantity	名称 Name	规格 Specification	适用产品 Products Applied	备注 Remark
10	Q40314	8	弹簧垫圈 Spring Washer		康明斯系列发动机专用 Only For CUMMINS Series Engine	
11	50A-05037	1	缓冲限位支架总成 Bumper Limiting Bracket Assembly			
12	Q150B1235	4	六角头螺栓 Hexagon Head Bolt			
13	50A-05038	1	连杆总成 - 后悬 Link Assembly-Rear Mounting			
14	50A-05037	2	缓冲限位支架总成 Bumper Limiting Bracket Assembly			
15	50A-05039	2	缓冲支座 Buffer Holder			
16	Q340B10	2	I 型六角螺母 Hexagon Full Nut			
17	HQ1461025	4	六角头组合螺栓XII细牙 Hexagon Head Combination Bolt-Fine			P=1.25
18	Q40112	4	平垫圈 Plate Washer			
19	Q40312	4	弹簧垫圈 Spring Washer			
20	Q340B12	4	I 型六角螺母 Hexagon Full Nut			
21	Q1461030	12	六角头组合螺栓 Hexagon Head Combination Bolt			

驾驶室翻转器 / CAB TILT DEVICE

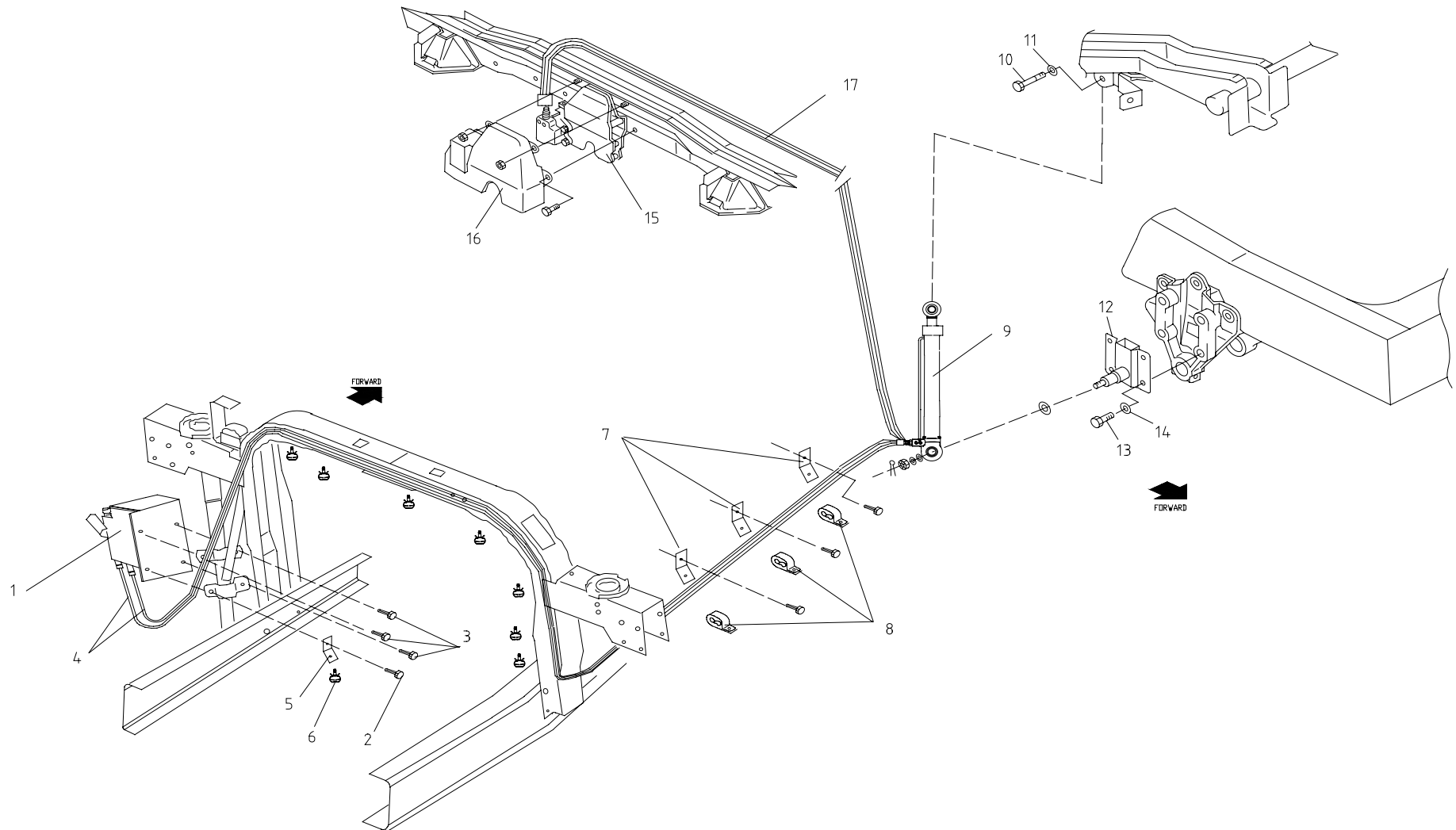
50-H



序号 No.	件号 Part No.	数量 Quantity	名称 Name	规格 Specification	适用产品 Products Applied	备注 Remark
1	50A3D-07035	1	翻转控制机构总成 - 分体式 Tilt Control Mechanism Assembly-Separated Type			
	50A-07045	1	翻转器使用须知贴纸 Tilt Device Service Requirements Sticker			
2	Q1461025	3	六角头组合螺栓 Hexagon Head Combination Bolt			
3	Q1461030	1	六角头组合螺栓 Hexagon Head Combination Bolt			
4	50A3D-07025	1	翻转油缸进回油管总成 - 分体式 Tilt Cylinder Inlet And Return Pipe Assembly-Separated Type			
5	37AD--34068	1	支架 Bracket			
6	37AD--33007	8	塑料线卡 Plastic Wire Snap Ring			
7	37AD--34014	3	支架 Bracket			
8	37AD--33413	3	压注橡胶 Compression Rubber			
	37AD--33041	2	扎带 Band			
	Q1460825	1	六角头组合螺栓 Hexagon Head Combination Bolt			
	Q1460830	1	六角头组合螺栓 Hexagon Head Combination Bolt			
	Q1460820	1	六角头组合螺栓 Hexagon Head Combination Bolt			
	Q32008	3	六角法兰面螺母 Hexagon Nut With Flange			

驾驶室翻转器 / CAB TILT DEVICE

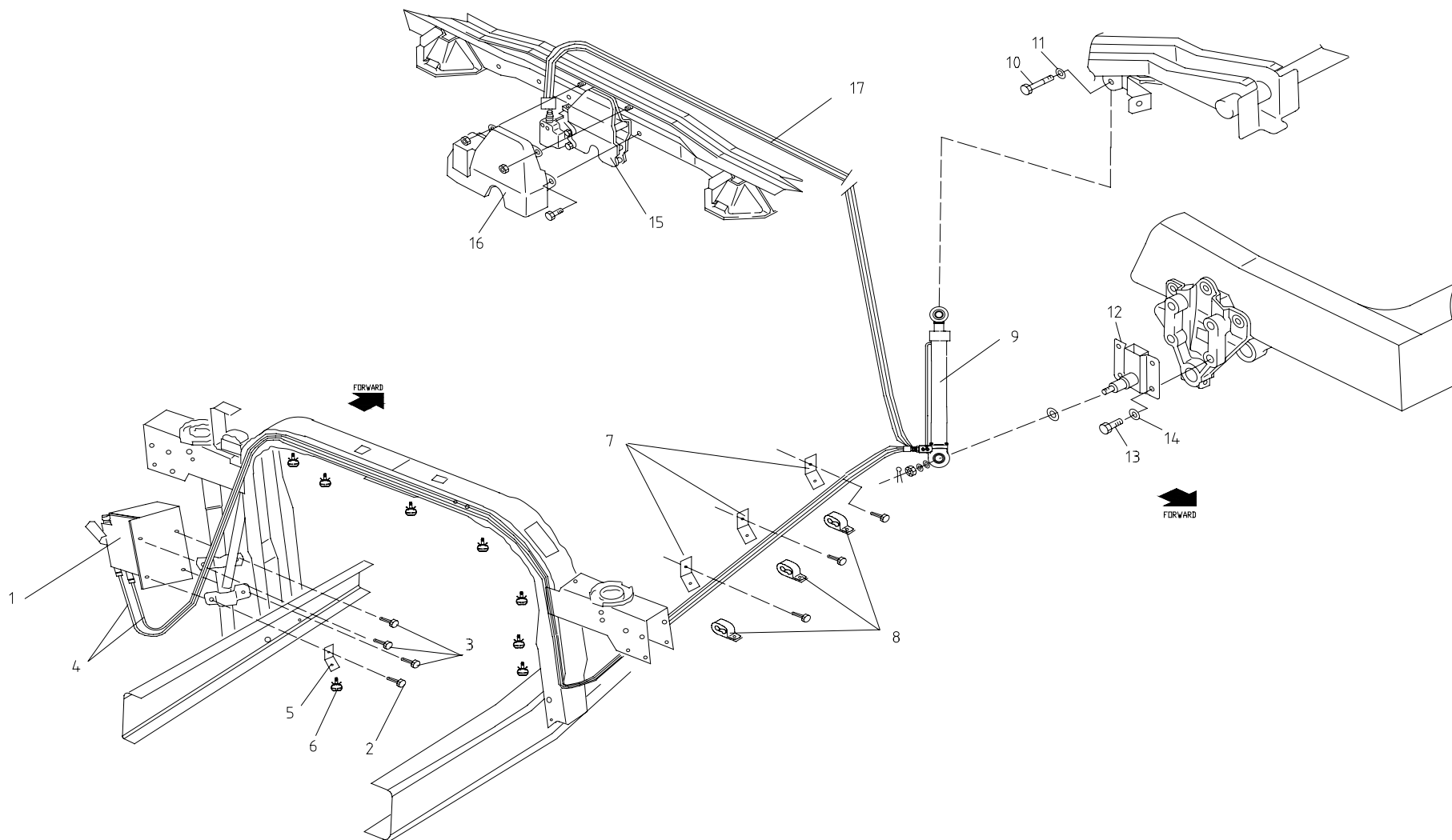
50-H



序号 No.	件号 Part No.	数量 Quantity	名称 Name	规格 Specification	适用产品 Products Applied	备注 Remark
8	Q1460620	3	六角头组合螺栓 Hexagon Head Combination Bolt			
	Q32006	3	六角法兰面螺母 Hexagon Nut With Flange			
9	50A-07010	1	翻转器举升油缸总成 - 分体式 Tilt Device Lift Cylinder Assembly-Separated Type			带附件 W/Accessory
10	Q151B1465	4	六角头螺栓 - 细牙 Hexagon Head Bolt-Fine			
11	Q40314	4	弹簧垫圈 Spring Washer			
12	50A3D-07051	1	举升油缸下支座总成 Lift Cylinder Lower Abutment Assembly			中欧翻转器 Central Europe Tilt Device
	50A3D-07055	1	举升油缸下支座总成 Lift Cylinder Lower Abutment Assembly			实用动力翻转器 Practical Power Tilt Device
13	Q151B1430	4	六角头螺栓 Hexagon Head Bolt			
14	Q40314	4	弹簧垫圈 Spring Washer			
15	5004A-010	1	翻转锁止机构总成 Tilt Lock Mechanism Assembly			
	Q1461065	2	六角头组合螺栓 Hexagon Head Combination Bolt			
	Q32010	2	六角法兰面螺母 Hexagon Nut With Flange			
	Q40110	4	平垫圈 Plate Washer			

驾驶室翻转器 / CAB TILT DEVICE

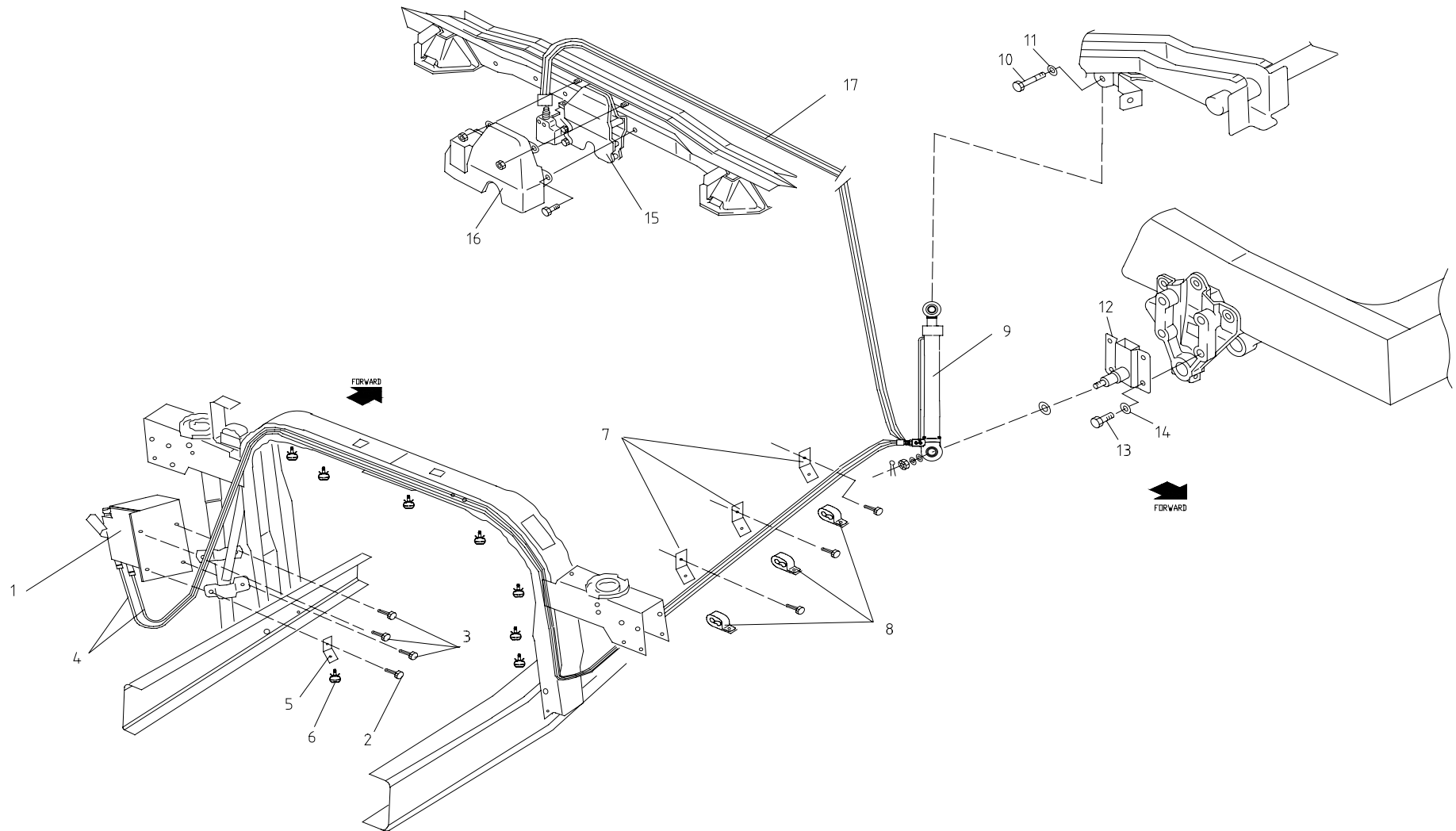
50-H



序号 No.	件号 Part No.	数量 Quantity	名称 Name	规格 Specification	适用产品 Products Applied	备注 Remark
16	50A-04012	1	翻转锁止机构塑料罩 Tilt Lock Mechanism Plastic Cover			
	Q1840816	2	六角法兰面螺栓 Hexagon Bolt With Flange			
	Q32010	2	六角法兰面螺母 Hexagon Nut With Flange			
17	50A-07020	1	翻转锁止油管总成 - 分体式 Tilt Lock Oil Pipe Assembly-Separated Type			
	50A5-07020	1	翻转锁止油管总成 - 分体式 Tilt Lock Oil Pipe Assembly-Separated Type		窄体系列 Narrow Cab Series	
	37AD--33017	1	塑料线卡 Plastic Wire Snap Ring			
	37AD--33406	2	定位夹 Locating Clip			
	37AD--33031	3	塑料管卡 Plastic Tube Clamp			
	37AD--33027	3	塑料管卡 Plastic Tube Clamp			
	5002A-021	1	锁栓油管支架 I Latch Oil Pipe Bracket I			
	37AD-33043	1	扎带 Band			
	37AD--34003	1	支架 Bracket			
	61A-01070	1	棱边护套 Edge Housing			
	51A-10010	2	橡胶圈 Rubber Ring			

驾驶室翻转器 / CAB TILT DEVICE

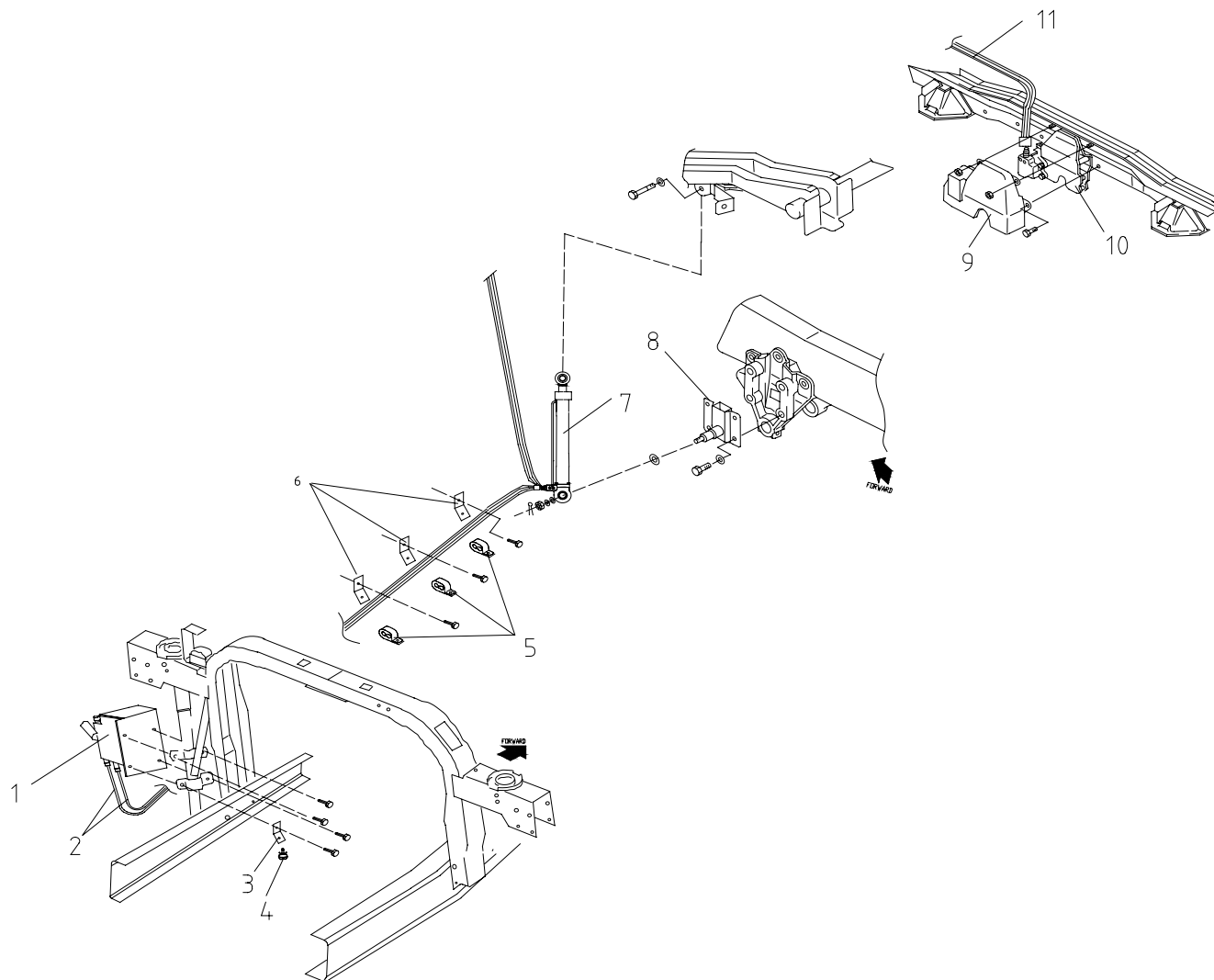
50-H



序号 No.	件号 Part No.	数量 Quantity	名称 Name	规格 Specification	适用产品 Products Applied	备注 Remark
17	Q1460820	3	六角头组合螺栓 Hexagon Head Combination Bolt			
	Q1840830	3	六角法兰面螺栓 Hexagon Bolt With Flange			
	Q1840840	3	六角法兰面螺栓 Hexagon Bolt With Flange			
	Q1461025	1	六角头组合螺栓 Hexagon Head Combination Bolt			
	Q32008	3	六角法兰面螺母 Hexagon Nut With Flange			

右驾驾驶室翻转器 / CAB TILT DEVICE FOR RHD

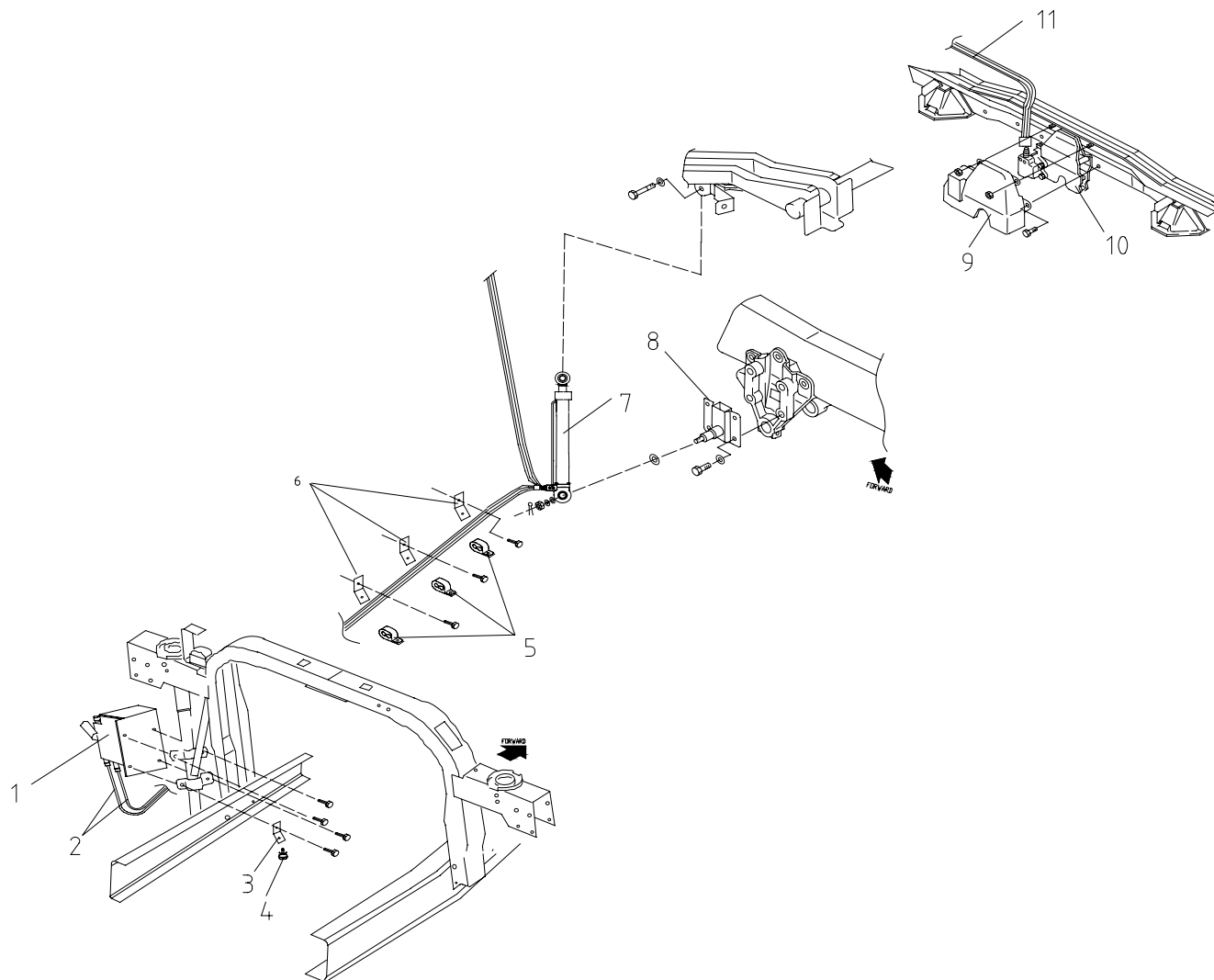
50-1



序号 No.	件号 Part No.	数量 Quantity	名称 Name	规格 Specification	适用产品 Products Applied	备注 Remark
1	50A3D-07035	1	翻转控制机构总成 - 分体式 Tilt Control Mechanism Assembly-Separated Type			
	50A-07045	1	翻转器使用须知贴纸 Tilt Device Service Requirements Sticker			
	Q1461030	4	六角头组合螺栓 Hexagon Head Combination Bolt			
2	50AY-07025	1	翻转油缸进回油管总成 - 分体式 Tilt Cylinder Inlet And Return Pipe Assembly-Separated Type		右驾系列 RHD Series	
3	37AD--34068	1	支架 Bracket			
	Q1460830	1	六角头组合螺栓 Hexagon Head Combination Bolt			
4	37AD--33007	3	塑料线卡 Plastic Wire Snap Ring			
5	37AD--33413	3	压注橡胶 Compression Rubber			
	Q1460620	3	六角头组合螺栓 Hexagon Head Combination Bolt			
	Q32006	3	六角法兰面螺母 Hexagon Nut With Flange			
6	37AD--34014	3	支架 Bracket			
	Q1460830	3	六角头组合螺栓 Hexagon Head Combination Bolt			
7	50AY-07010	1	翻转器举升油缸总成 - 分体式 Tilt Device Lift Cylinder Assembly-Separated Type		右驾系列 RHD Series	带附件 W/Accessory

右驾驾驶室翻转器 / CAB TILT DEVICE FOR RHD

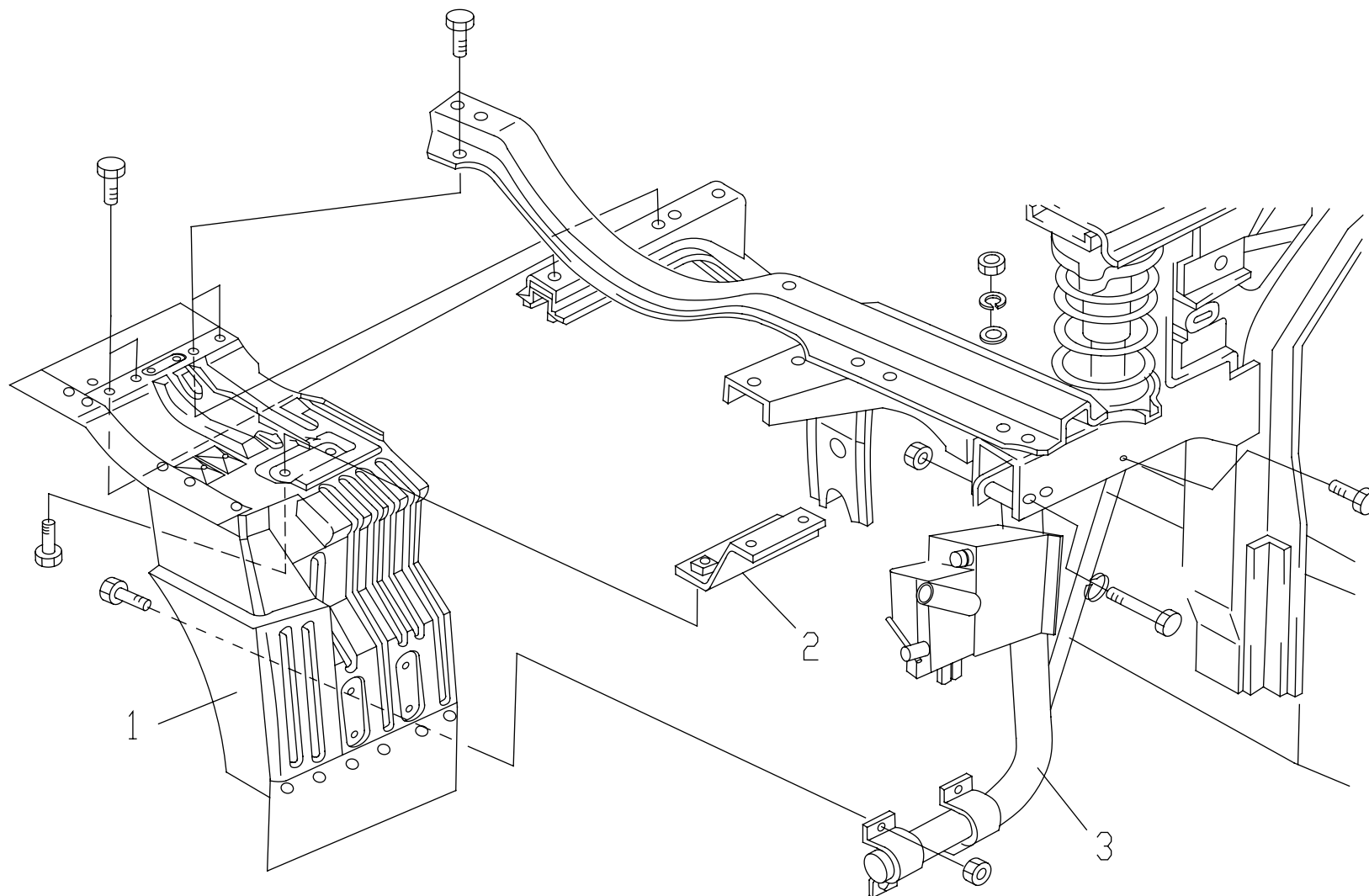
50-1



序号 No.	件号 Part No.	数量 Quantity	名称 Name	规格 Specification	适用产品 Products Applied	备注 Remark
8	50A3D-07051	1	举升油缸下支座总成 Lift Cylinder Lower Abutment Assembly			中欧翻转器 Central Europe Tilt Device
	50A3D-07055	1	举升油缸下支座总成 Lift Cylinder Lower Abutment Assembly			实用动力翻转器 Practical Power Tilt Device
	Q151B1430	4	六角头螺栓 Hexagon Head Bolt			
	Q40314	4	弹簧垫圈 Spring Washer			
9	5004A-010	1	翻转锁止机构总成 Tilt Lock Mechanism Assembly			
	Q1461065	2	六角头组合螺栓 Hexagon Head Combination Bolt			
	Q32010	2	六角法兰面螺母 Hexagon Nut With Flange			
	Q40110	4	平垫圈 Plate Washer			
10	50A-04012	1	翻转锁止机构塑料罩 Tilt Lock Mechanism Plastic Cover			
	Q1840816	2	六角法兰面螺栓 Hexagon Bolt With Flange			
	Q32010	2	六角法兰面螺母 Hexagon Nut With Flange			
11	50A-07020	1	翻转锁止油管总成 - 分体式 Tilt Lock Oil Pipe Assembly-Separated Type			

轮罩 / WHEEL HOUSING

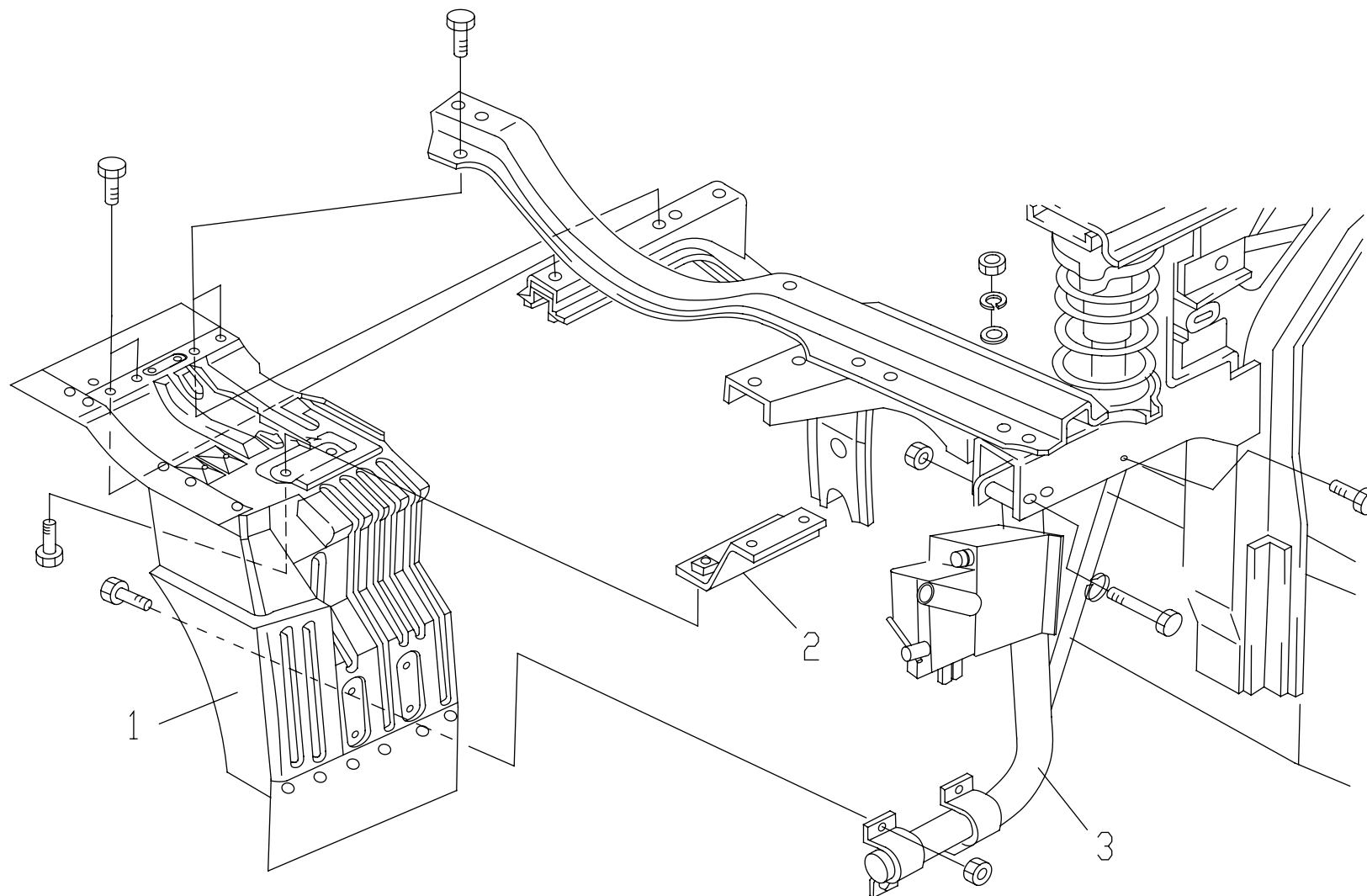
50-J



序号 No.	件号 Part No.	数量 Quantity	名称 Name	规格 Specification	适用产品 Products Applied	备注 Remark
1	50A-05060	1	左轮罩总成 Wheel Housing Assembly LH			
	50A-05080	1	右轮罩总成 Wheel Housing Assembly RH			
	50A5-05060	1	左轮罩总成 Wheel Housing Assembly LH		窄体系列 Narrow Cab Series	
	50A5-05080	1	右轮罩总成 Wheel Housing Assembly RH		窄体系列 Narrow Cab Series	
	Q1460825	12	六角头组合螺栓 Hexagon Head Combination Bolt			
	Q32008	8	六角法兰面螺母 Hexagon Nut With Flange			
	Q1461030	4	六角头组合螺栓 Hexagon Head Combination Bolt			
	Q1461025	2	六角头组合螺栓 Hexagon Head Combination Bolt			
	Q1461040	3	六角头组合螺栓 Hexagon Head Combination Bolt			
2	50A3D-05049	1	左轮罩中安装支架 Wheel Housing Middle Mounting Bracket LH			
	50A3D-05050	1	右轮罩中安装支架 Wheel Housing Middle Mounting Bracket RH			
	Q32008	4	六角法兰面螺母 Hexagon Nut With Flange			

轮罩 / WHEEL HOUSING

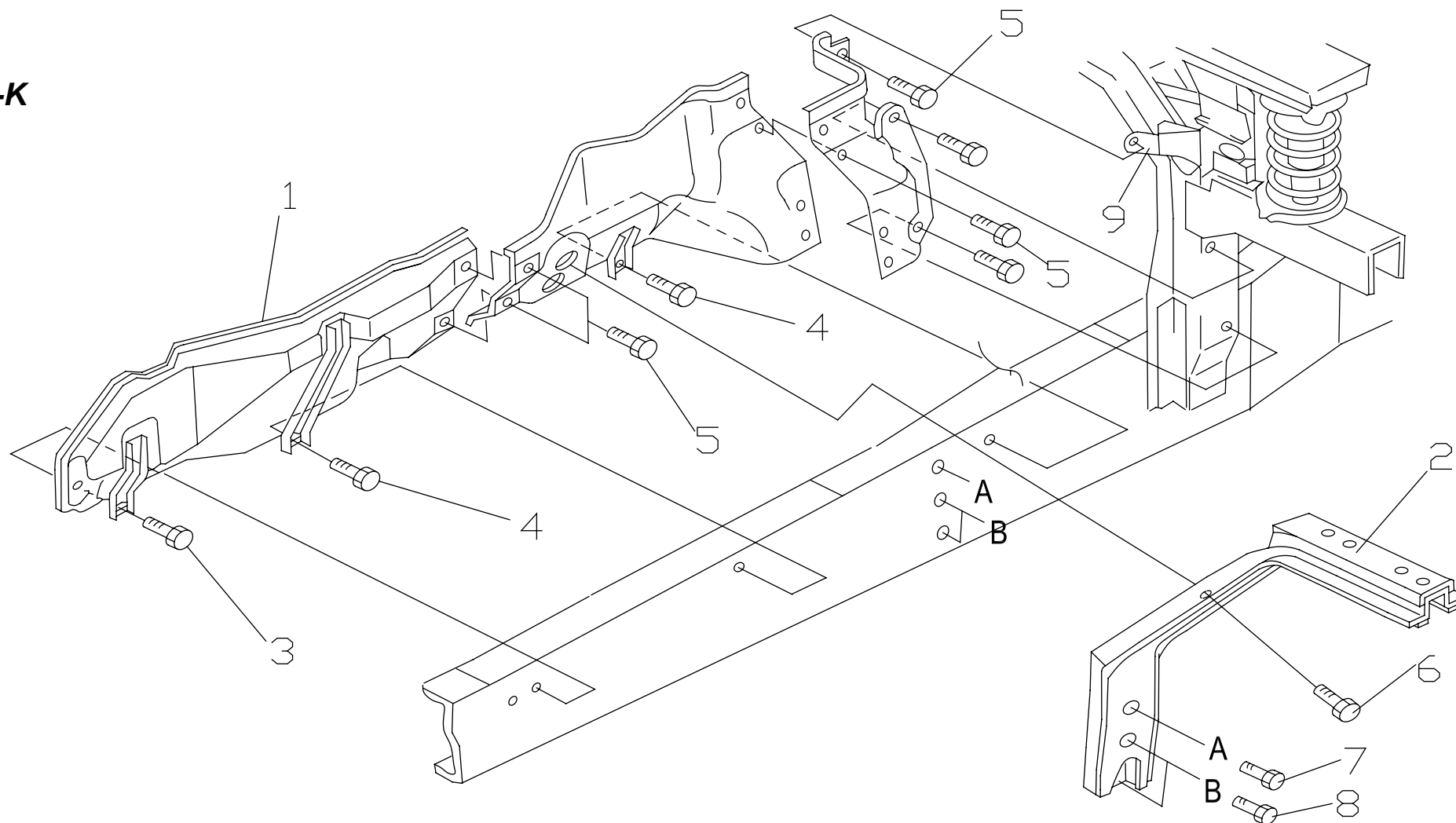
50-J



序号 No.	件号 Part No.	数量 Quantity	名称 Name	规格 Specification	适用产品 Products Applied	备注 Remark
3	50A3D-05045	1	左托架总成 Bracket Assembly LH			
	50A3D-05046	1	右托架总成 Bracket Assembly RH			
	Q1460820	1	六角头组合螺栓 Hexagon Head Combination Bolt			仅用于左总成 Only For Left Assembly
	Q151B12110	2	六角头螺栓—细牙 Hexagon Head Bolt-Fine			仅用于左总成 Only For Left Assembly
	Q151B12120	2	六角头螺栓—细牙 Hexagon Head Bolt-Fine			仅用于右总成 Only For Right Assembly
	Q40312	4	弹簧垫圈 Spring Washer			
	Q341B12	4	I型六角头螺母—细牙 Hexagon Full Nut-Fine			
	Q40110	8	平垫圈 Plate Washer			
	Q40310	8	弹簧垫圈 Spring Washer			
	Q340B10	8	I型六角头螺母 Hexagon Full Nut			

发动机护罩 / ENGINE PROTECTING COVER

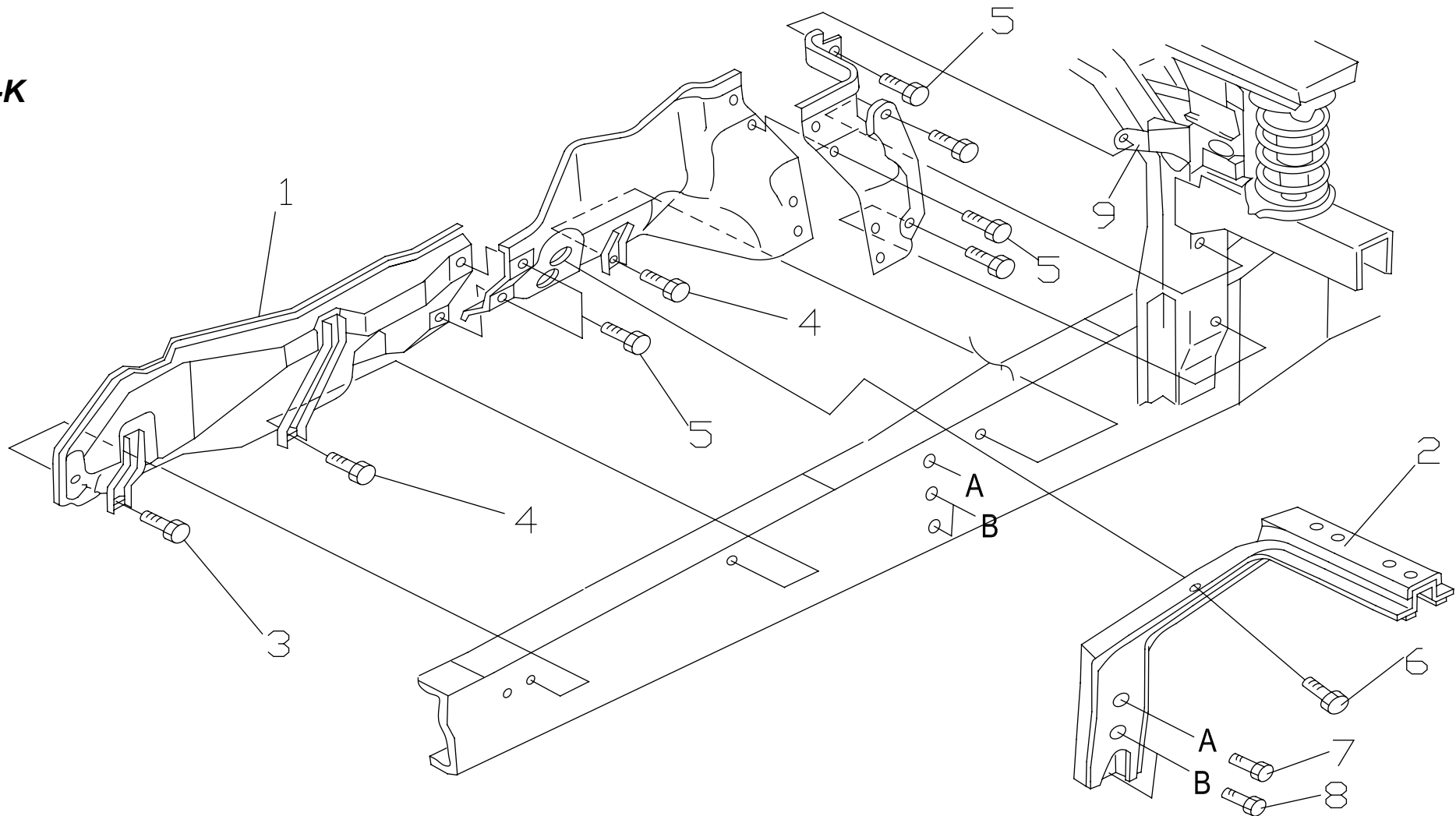
50-K



序号 No.	件号 Part No.	数量 Quantity	名称 Name	规格 Specification	适用产品 Products Applied	备注 Remark
1	50A4D-06109	1	左发动机护罩总成 Engine Protecting Cover Assembly LH		康明斯系列发动机 CUMMINS Series Engine	
	50A-06109	1	左发动机护罩总成 Engine Protecting Cover Assembly LH		斯太尔系列发动机 STEYR Series Engine	
	50A3D-06110	1	右发动机护罩总成 Engine Protecting Cover Assembly RH			
	50AK20DZ5-06109	1	左发动机护罩总成 Engine Protecting Cover Assembly LH		976 车架系列 976 Frame Series	
	50AK20DZ5-06110	1	右发动机护罩总成 Engine Protecting Cover Assembly RH		976 车架系列 976 Frame Series	
2	50A3D-05055	2	轮罩前支撑架总成 Wheel Housing Front Bracket Assembly			
3	Q1461025	2	六角头组合螺栓 Hexagon Head Combination Bolt			
4	Q1460830	4	六角头组合螺栓 Hexagon Head Combination Bolt			
5	Q1460820	17	六角头组合螺栓 Hexagon Head Combination Bolt			
6	Q1460830	1	六角头组合螺栓 Hexagon Head Combination Bolt			仅用于左侧 Only For Left Side
7	Q1461245	4	六角头组合螺栓 Hexagon Head Combination Bolt			
8	Q151B1440	2	六角头组合螺栓 - 细牙 Hexagon Head Combination Bolt-Fine			
	Q40114	2	平垫圈 Plate Washer			
	Q40314	2	弹簧垫圈 Spring Washer			

发动机护罩 / ENGINE PROTECTING COVER

50-K



序号 No.	件号 Part No.	数量 Quantity	名称 Name	规格 Specification	适用产品 Products Applied	备注 Remark
9	50A3D-06115	1	左上支架总成 - 发动机护罩 Upper Bracket Assembly LH-Engine Protecting Cover			
	50A3D-06119	1	右上连接支架总成 - 发动机护罩 Upper Connecting Bracket Assembly RH-Engine Protecting Cover			

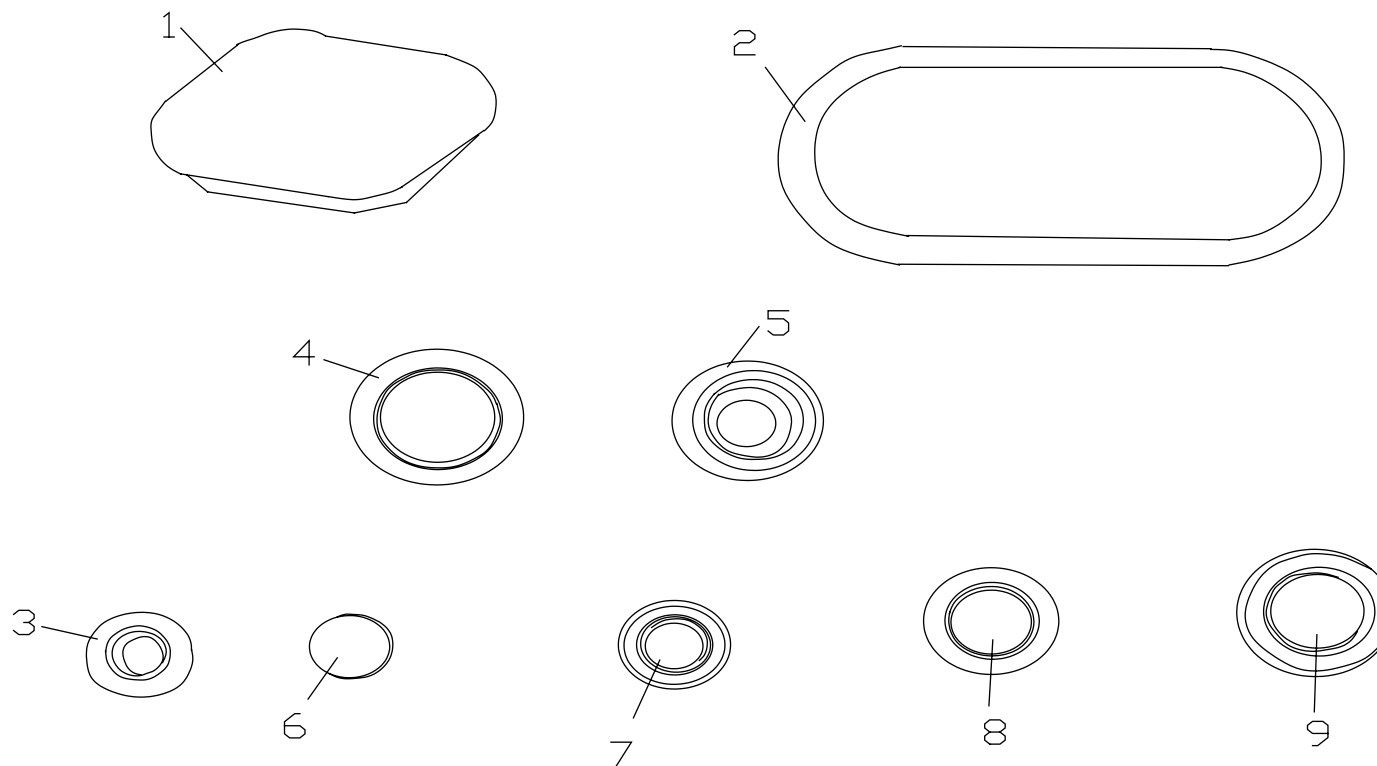
51

车身地板系统

BODY FLOOR SYSTEM

地板堵盖系列 / FLOOR BLOCK COVER SERIES

51-A



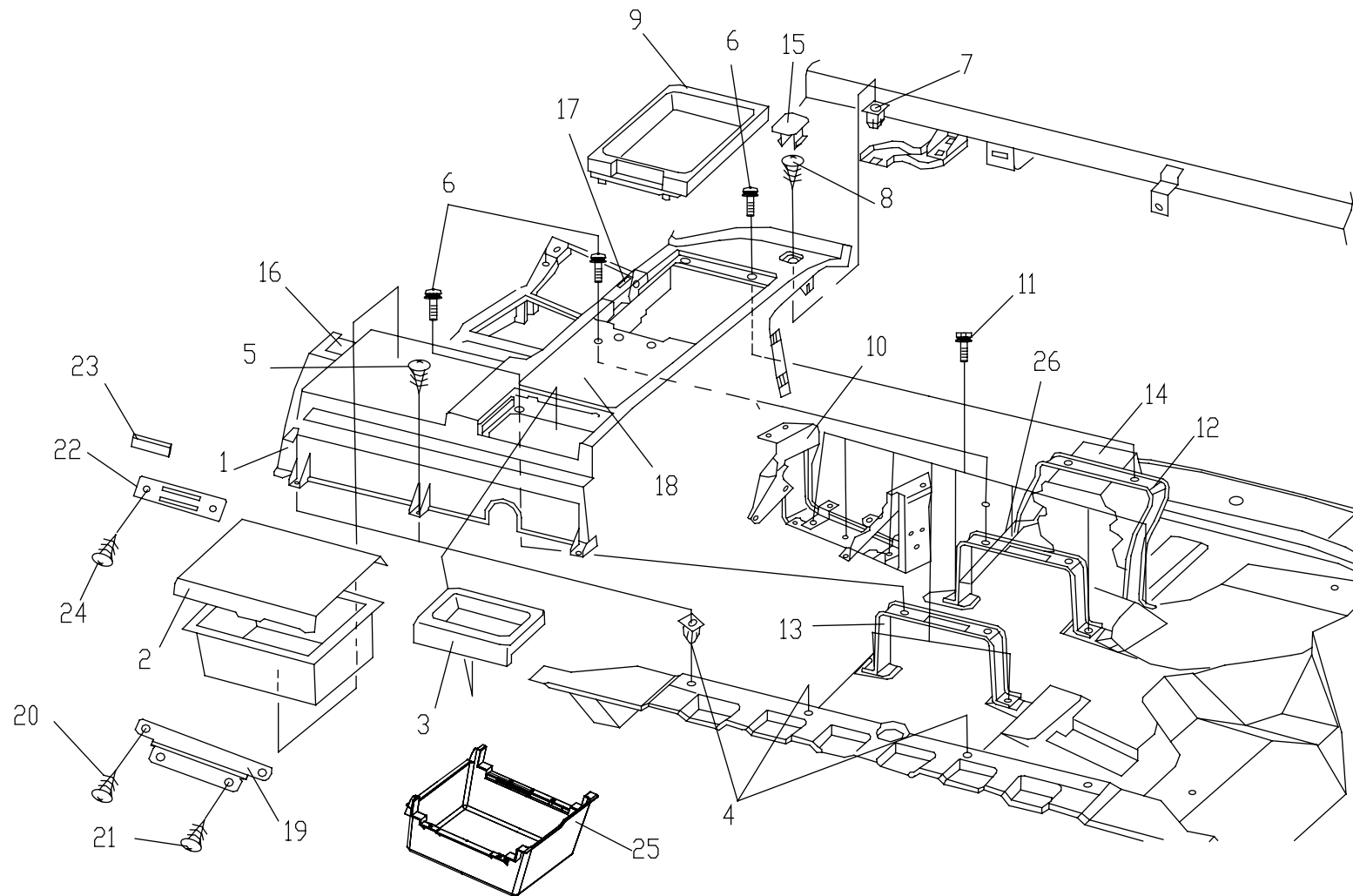
车身地板系统 / BODY FLOOR SYSTEM

51-2

序号 No.	件号 Part No.	数量 Quantity	名称 Name	规格 Specification	适用产品 Products Applied	备注 Remark
1	51A-10009	1	橡胶堵塞 Rubber Plug			
2	51A-10008	1	塑料堵盖 D- 后地板 Plastic Block Cover D-Rear Floor			
3	51A-10010	1	橡胶圈 - 翻转油管过孔护 Rubber Washer-Tilt Oil Pipe Protective Washer			
4	51A-10002	1	大橡胶堵盖 - 鼓包 Big Rubber Block Cover-Block			
5	51A-10007	1	橡胶圈 - 空调滴水管 Rubber Washer-Air Condition Dribble Tube			
6	51A-10005	1	小橡胶堵盖 - 鼓包 Small Rubber Block Cover-Block			
7	51A-10006	6	橡胶堵盖 - 地板 Rubber Block Cover-Floor			
8	53A-01379	2	橡胶堵盖 - 前围挡板 Rubber Block Cover-Cowl Panel			
9	51A-10003	1	橡胶堵盖 - 鼓包 Rubber Block Cover-Block			

后置物盒 / REAR STORAGE BOX

51-B



车身地板系统 / BODY FLOOR SYSTEM

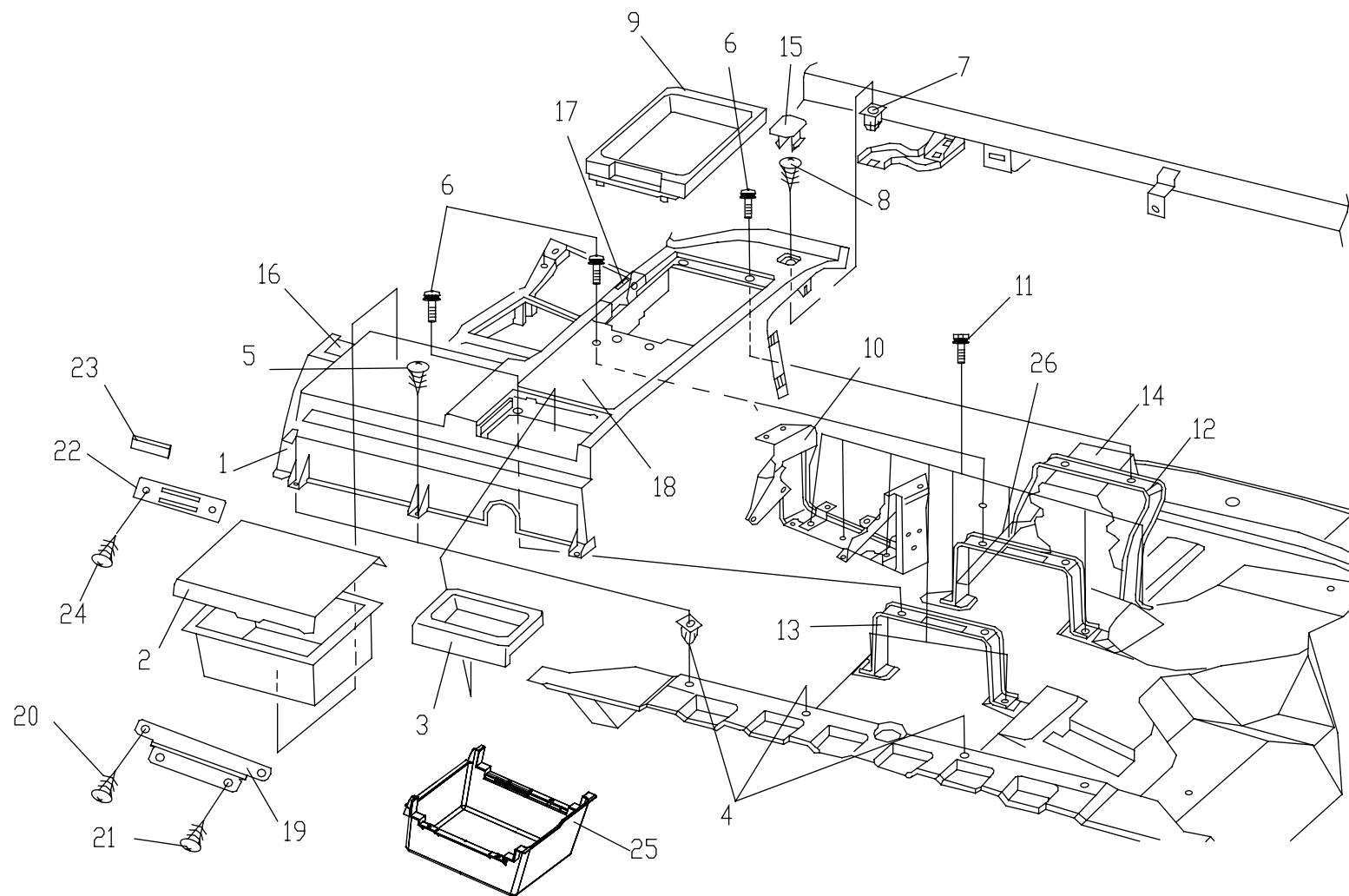
51-4

序号 No.	件号 Part No.	数量 Quantity	名称 Name	规格 Specification	适用产品 Products Applied	备注 Remark
1	51A-03011	1	后置物盒本体 Rear Storage Box Body			
2	51A-03017	1	行车记录仪上盖 Tachograph Upper Cover			
3	51A-03022	1	硬币盒 Coin Box			
4	51A-03012	3	圆型塑料螺母 F Round Plastic Nut F			
5	Q2735516	3	十字槽大半圆头自攻螺钉 Cross Recessed Cup Head Self-Tapping Screw With Large Head			
6	Q2360625	6	十字槽组合螺栓 Cross Recessed Combination Bolt			
7	53A-01323	1	方型塑料螺母 C Square Plastic Nut C			
8	Q2734816	1	十字槽大半圆头自攻螺钉 Cross Recessed Cup Head Self-Tapping Screw With Large Head			
9	51A-03026	1	地图盒 Map Holder			
10	51A-01340	1	保险丝盒固定支架总成 Fuse Box Holding Bracket Assembly			
11	Q1460820	9	六角头组合螺栓 Hexagon Head Combination Bolt			
12	51A-01330	1	继电器盒前支架总成 Relay Box Front Bracket Assembly			
13	51A-01337	2	后置物盒后支架总成 Rear Storage Box Bracket Assembly			
14	51A-01325	1	控制器支架总成 Controller Bracket Assembly			



后置物盒 / REAR STORAGE BOX

51-B



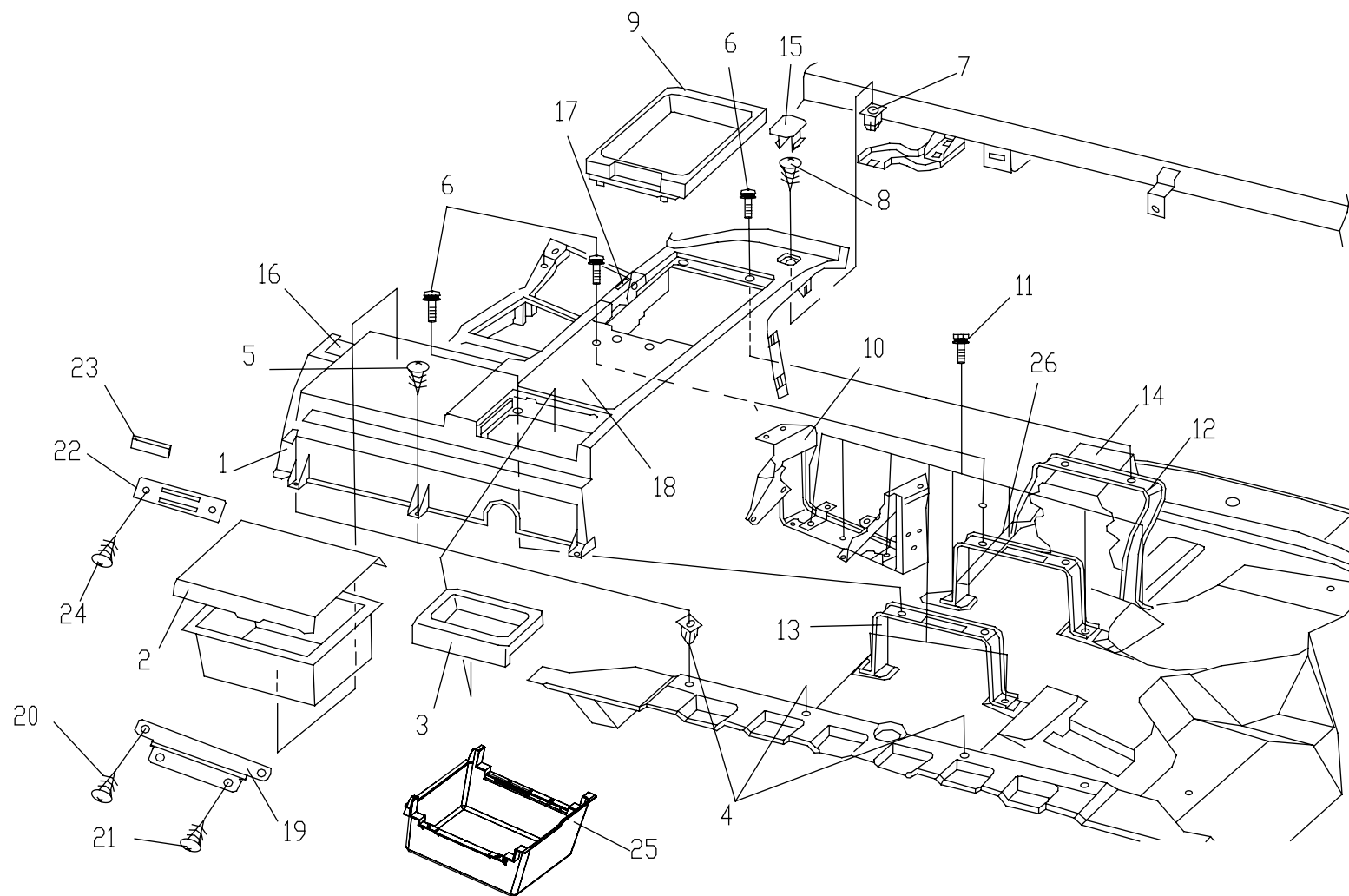
车身地板系统 / BODY FLOOR SYSTEM

51-6

序号 No.	件号 Part No.	数量 Quantity	名称 Name	规格 Specification	适用产品 Products Applied	备注 Remark
15	51A-03045	1	堵盖 Block Cover			
16	51A-03027	1	盖板 Cover Panel			
17	51A-03016	2	置杯架总成 Cup Holder Assembly			
18	51A-03035	2	置物盒上盖总成 Storage Box Upper Cover Assembly			
19	51A-03018	2	铰链总成 Hinge Assembly			
20	Q2744213	4	十字槽大半圆头自攻螺钉 Cross Recessed Cup Head Self-Tapping Screw With Large Head			
21	Q2733513	4	十字槽大半圆头自攻螺钉 Cross Recessed Cup Head Self-Tapping Screw With Large Head			
22	51A-03031	2	磁铁片 Magnet Plate			
23	51A-03019	1	磁铁座总成 Magnet Seat Assembly			
24	Q2741995	2	十字槽沉头自攻螺钉 Cross Recessed Countersunk Head Self-Tapping Screw			(1.9×9.5)
25	51A-03021	1	置物盒 Storage Box			
26	51A-01321	1	后置物盒左侧支架总成 Rear Storage Box Bracket Assembly LH			
	51A-01323	1	后置物盒右侧支架总成 Rear Storage Box Bracket Assembly RH			
	Q1460616	2	六角头组合螺栓 Hexagon Head Combination Bolt			

后置物盒 / REAR STORAGE BOX

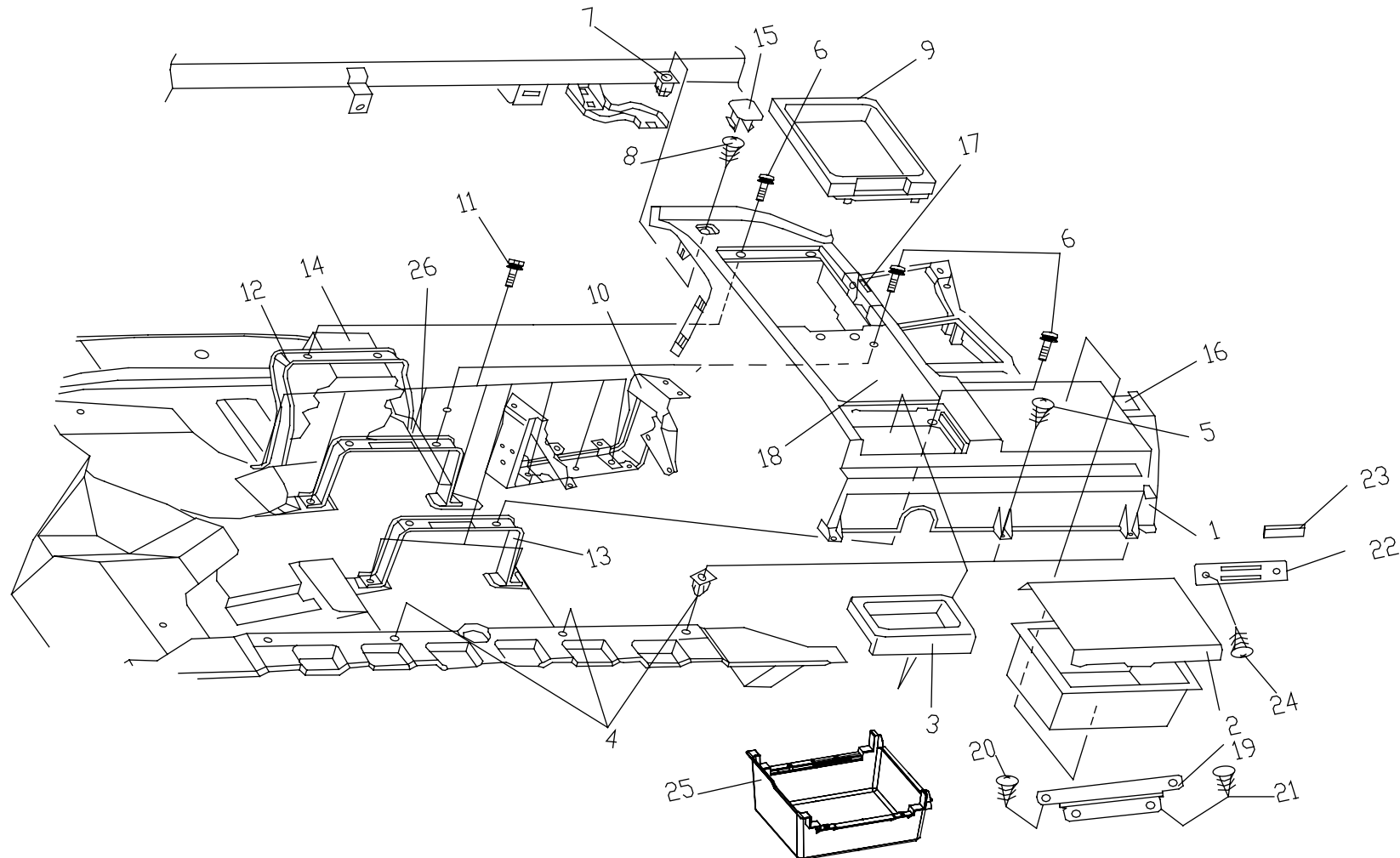
51-B



序号 No.	件号 Part No.	数量 Quantity	名称 Name	规格 Specification	适用产品 Products Applied	备注 Remark
26	Q340B06	2	六角头螺母 Hexagon Head Nut			

右驾后置物盒 / REAR STORAGE BOX FOR RHD

51-C



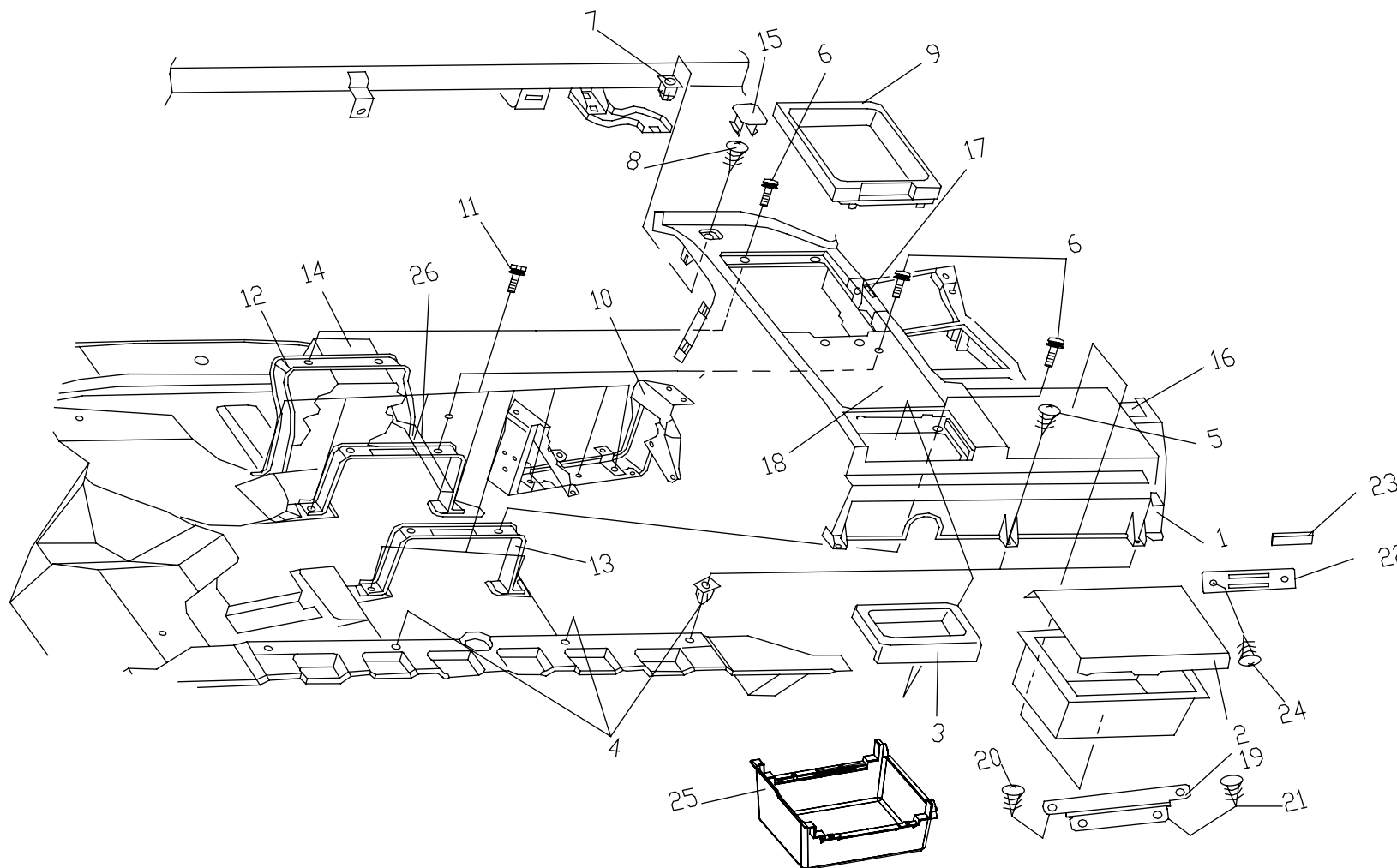
车身地板系统 / BODY FLOOR SYSTEM

51-10

序号 No.	件号 Part No.	数量 Quantity	名称 Name	规格 Specification	适用产品 Products Applied	备注 Remark
1	51AY-03011	1	后置物盒本体 Rear Storage Box Body		右驾系列 RHD Series	
2	51AY-03017	1	行车记录仪上盖 Tachograph Upper Cover		右驾系列 RHD Series	
3	51A-03022	1	硬币盒 Coin Box			
4	51A-03012	3	圆型塑料螺母 F Round Plastic Nut F			
5	Q2735516	3	十字槽大半圆头自攻螺钉 Cross Recessed Cup Head Self-Tapping Screw With Large Head			
6	Q2360625	6	十字槽组合螺栓 Cross Recessed Combination Bolt			
7	53A-01323	1	方型塑料螺母 C Square Plastic Nut C			
8	Q2734816	1	十字槽大半圆头自攻螺钉 Cross Recessed Cup Head Self-Tapping Screw With Large Head			
9	51A-03026	1	地图盒 Map Holder			
10	51AY-01340	1	保险丝盒固定支架总成 Fuse Box Holding Bracket Assembly		右驾系列 RHD Series	
11	Q1460820	9	六角头组合螺栓 Hexagon Head Combination Bolt			
12	51A-01330	1	继电器盒前支架总成 Relay Box Front Bracket Assembly			
13	51AY01337	2	后置物盒后支架总成 Rear Storage Box Rear Bracket Assembly		右驾系列 RHD Series	

右驾后置物盒 / REAR STORAGE BOX FOR RHD

51-C



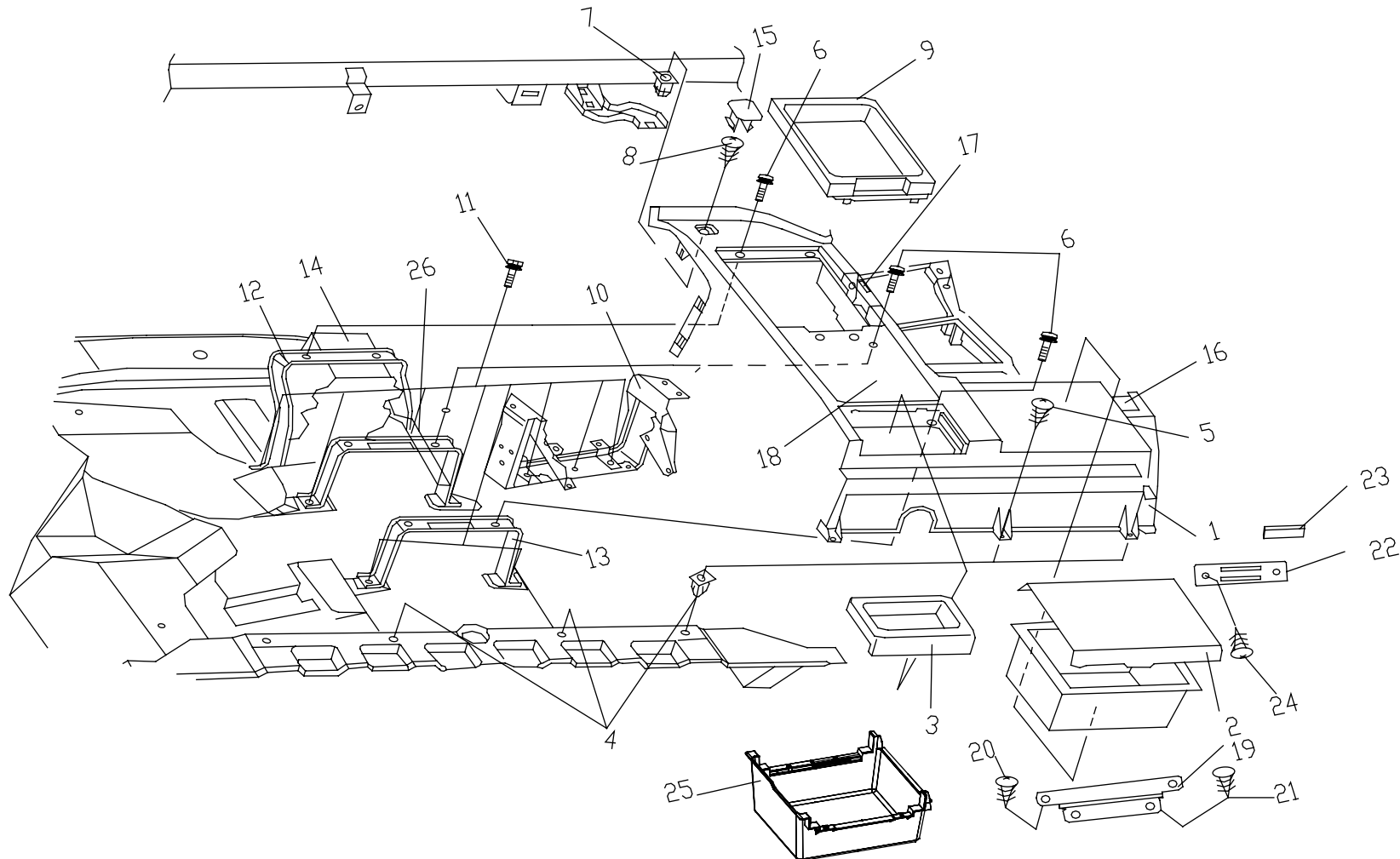
车身地板系统 / BODY FLOOR SYSTEM

51-12

序号 No.	件号 Part No.	数量 Quantity	名称 Name	规格 Specification	适用产品 Products Applied	备注 Remark
14	51A-01325	1	控制器支架总成 Controller Bracket Assembly			
15	51A-03045	1	堵盖 Block Cover			
16	51A-03027	1	盖板 Cover Panel			
17	51AY-03016	1	置杯架总成 Cup Holder Assembly		右驾系列 RHD Series	
18	51AY-03035	1	置物盒上盖总成 Storage Box Upper Cover Assembly		右驾系列 RHD Series	
19	51A-03018	2	铰链总成 Hinge Assembly			
20	Q2744213	4	十字槽大半圆头自攻螺钉 Cross Recessed Cup Head Self-Tapping Screw With Large Head			
21	Q2733513	4	十字槽大半圆头自攻螺钉 Cross Recessed Cup Head Self-Tapping Screw With Large Head			
22	51A-03031	2	磁铁片 Magnet Plate			
23	51A-03019	1	磁铁座总成 Magnet Seat Assembly			
24	Q2741995	2	十字槽沉头自攻螺钉 Cross Recessed Countersunk Head Self-Tapping Screw			(1.9×9.5)
25	51A-03021	1	置物盒 Storage Box			

右驾后置物盒 / REAR STORAGE BOX FOR RHD

51-C



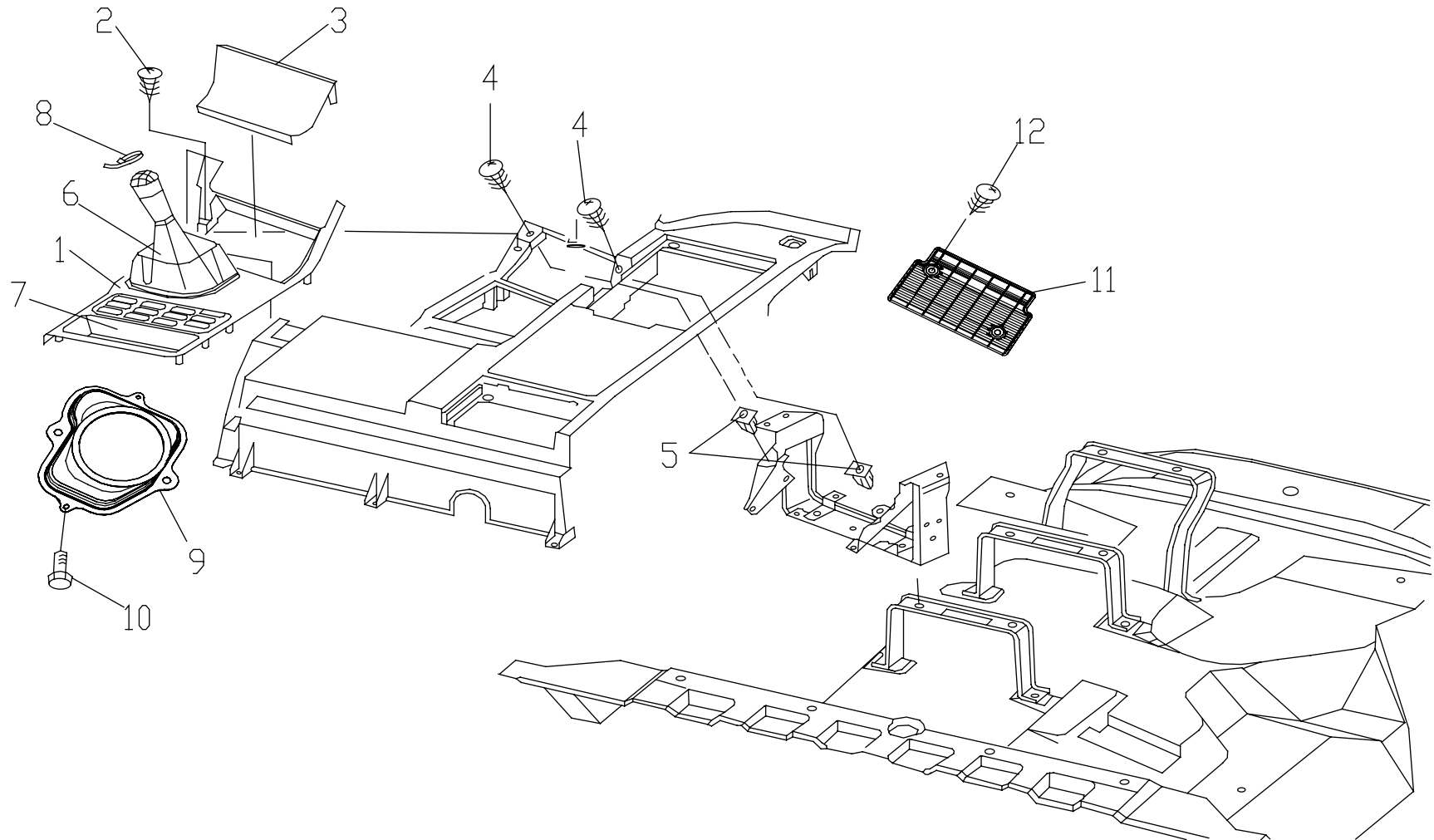
车身地板系统 / BODY FLOOR SYSTEM

51-14

序号 No.	件号 Part No.	数量 Quantity	名称 Name	规格 Specification	适用产品 Products Applied	备注 Remark
26	51A-01321	1	后置物盒左侧支架总成 Rear Storage Box Bracket Assembly LH			
	51A-01323	1	后置物盒右侧支架总成 Rear Storage Box Bracket Assembly RH			
	Q1460616	2	六角头组合螺栓 Hexagon Head Combination Bolt			
	Q340B06	2	六角头螺母 Hexagon Head Nut			

排档罩 / SHIFT COVER

51-D



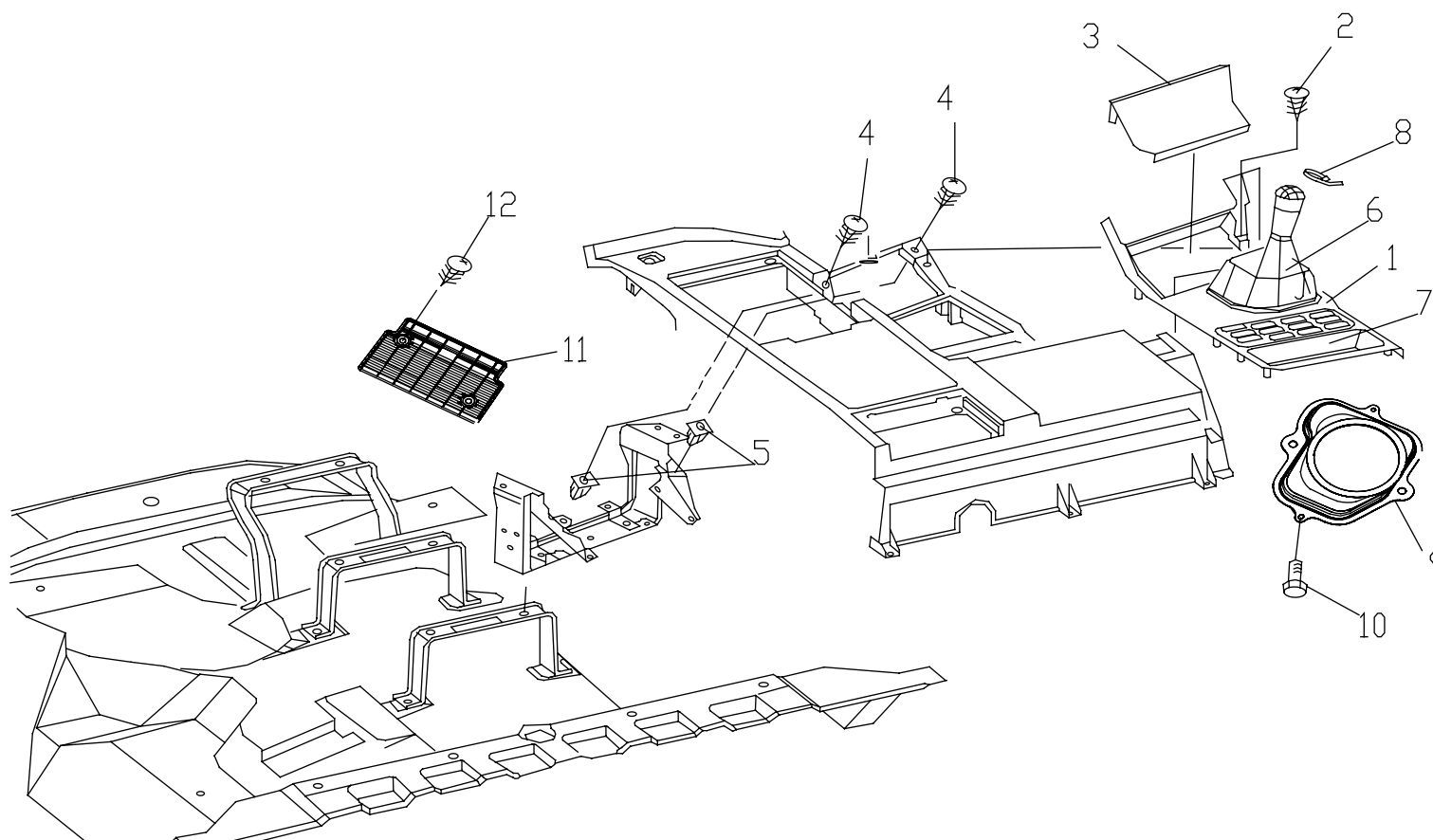
车身地板系统 / BODY FLOOR SYSTEM

51-16

序号 No.	件号 Part No.	数量 Quantity	名称 Name	规格 Specification	适用产品 Products Applied	备注 Remark
1	51A-03051	1	排档罩本体 Shift Cover Body			
2	Q2734816	1	十字槽大半圆头自攻螺钉 Cross Recessed Cup Head Self-Tapping Screw With Large Head			
3	51A-03052	1	排档罩保险丝上盖 Shift Cover Fuse Upper Cover			
4	Q2734816	2	十字槽大半圆头自攻螺钉 Cross Recessed Cup Head Self-Tapping Screw With Large Head			
5	53A-01323	1	方型塑料螺母 C Square Plastic Nut C			
6	51A-03058	1	排档罩皮套总成 Shift Cover Leather Cover Assembly			
7	51A-03053	1	排档罩硬币盒 Shift Cover Coin Box			
8	Q67405100	1	塑料紧箍带 Plastic Fastening Band			
9	51A-03059	1	排档杆塑料护圈 Shift Lever Plastic Retainer			
10	Q1460616	2	六角头组合螺栓 Hexagon Head Combination Bolt			
11	51A-05067	1	搁脚板 Toe Board			
12	Q2734816	2	十字槽大半圆头自攻螺钉 Cross Recessed Cup Head Self-Tapping Screw With Large Head			黑色 Black

右驾排档罩 / SHIFT COVER FOR RHD

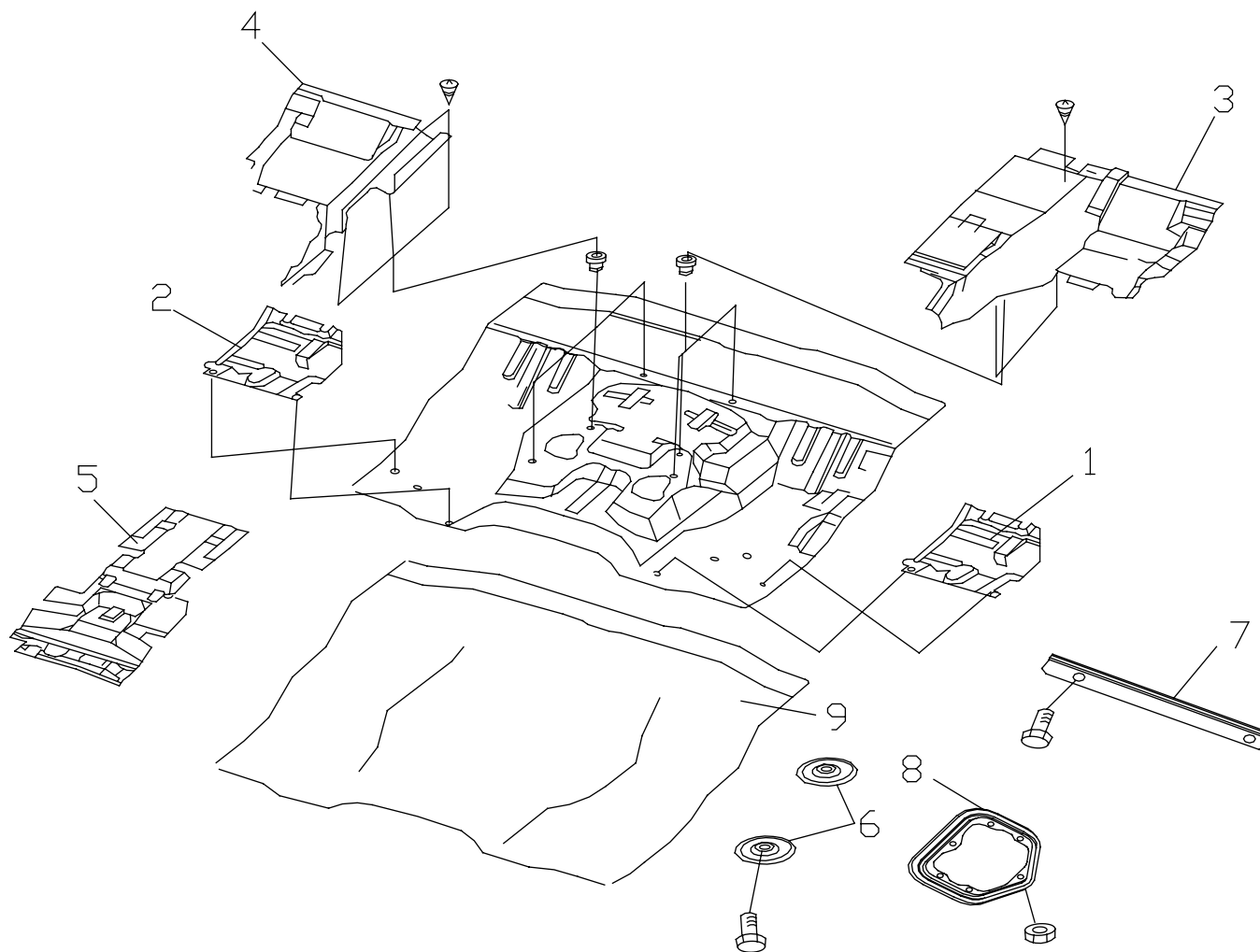
51-E



序号 No.	件号 Part No.	数量 Quantity	名称 Name	规格 Specification	适用产品 Products Applied	备注 Remark
1	51AY-03051	1	排档罩本体 Shift Cover Body		右驾系列 RHD Series	
2	Q2734816	1	十字槽大半圆头自攻螺钉 Cross Recessed Cup Head Self-Tapping Screw With Large Head			
3	51AY-03052	1	排档罩保险丝上盖 Shift Cover Fuse Upper Cover		右驾系列 RHD Series	
4	Q2734816	2	十字槽大半圆头自攻螺钉 Cross Recessed Cup Head Self-Tapping Screw With Large Head			
5	53A-01323	1	方型塑料螺母 C Square Plastic Nut C			
6	51A-03058	1	排档罩皮套总成 Shift Cover Leather Cover Assembly			
7	51A-03053	1	排档罩硬币盒 Shift Cover Coin Box			
8	Q67405100	1	塑料紧箍带 Plastic Fastening Band			
9	51A-03059	1	排档杆塑料护圈 Shift Lever Plastic Retainer			
10	Q1460616	2	六角头组合螺栓 Hexagon Head Combination Bolt			
11	51A-05067	1	搁脚板 Toe Board			
12	Q2734816	2	十字槽大半圆头自攻螺钉 Cross Recessed Cup Head Self-Tapping Screw With Large Head			黑色 Black

驾驶室地毯 / CAB FLOOR CARPET

51-F



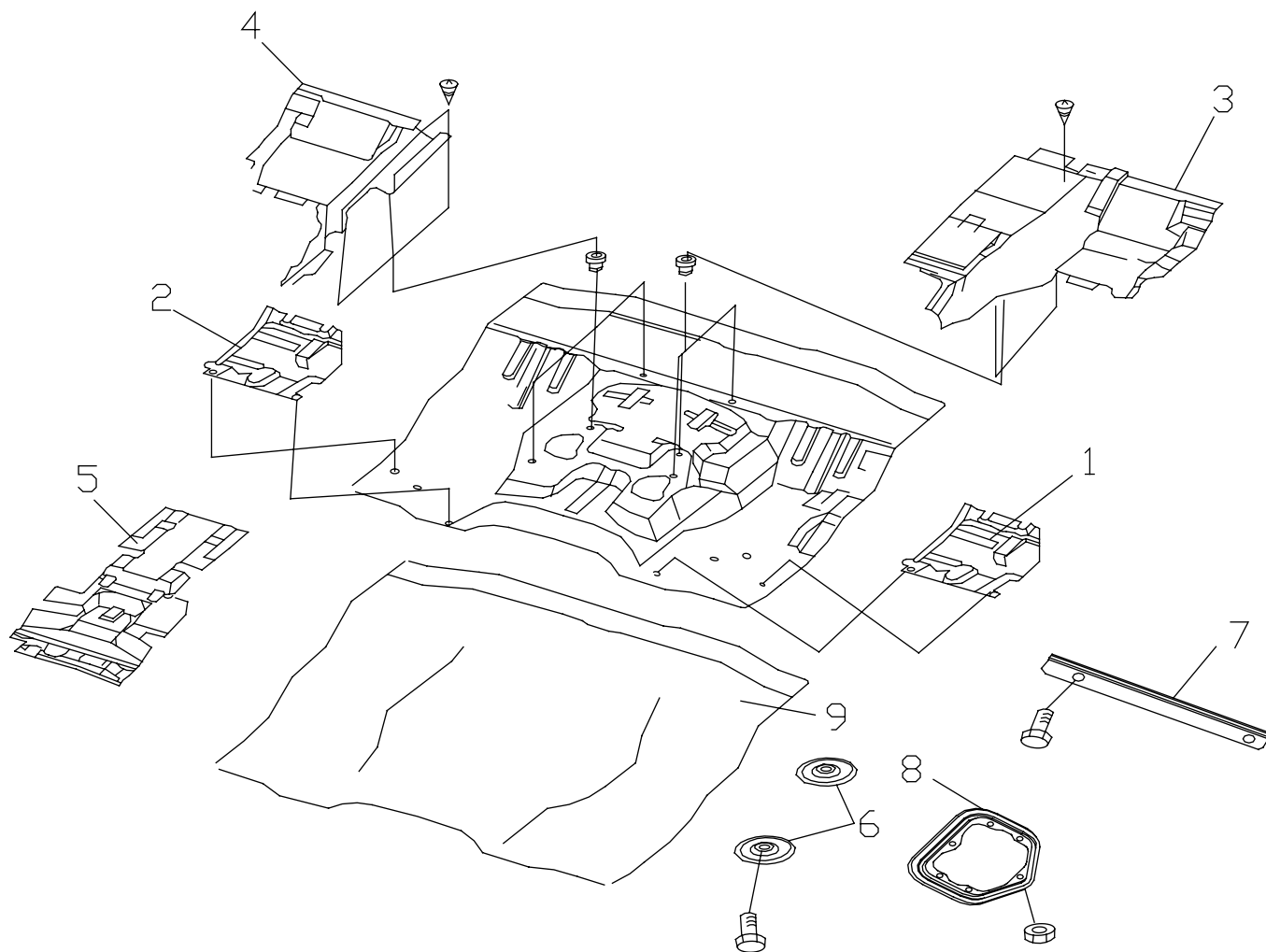
车身地板系统 / BODY FLOOR SYSTEM

51-20

序号 No.	件号 Part No.	数量 Quantity	名称 Name	规格 Specification	适用产品 Products Applied	备注 Remark
1	51A-09015/15-A	1/1	左前地毯总成 Front Floor Carpet Assembly LH		-A 为高顶驾驶室专用 Only For High Roof Cab	
2	51A-09025/25-A	1/1	右前地毯总成 Front Floor Carpet Assembly RH		-A 为高顶驾驶室专用 Only For High Roof Cab	
	51A-09025	1	右前地毯总成 Front Floor Carpet Assembly RH		窄体系列 Narrow Cab Series	
3	51A-09035/35-A	1/1	左地毯总成 Floor Carpet Assembly LH		-A 为高顶驾驶室专用 Only For High Roof Cab	
	Q2735516	3	十字槽大半圆头自攻螺钉 Cross Recessed Cup Head Self-Tapping Screw With Large Head			
	51A-03012	3	圆型塑料螺母 F Round Plastic Nut F			
4	51A-09036/36-A	1/1	右地毯总成 Floor Carpet Assembly RH		-A 为高顶驾驶室专用 Only For High Roof Cab	
	Q2735516	3	十字槽大半圆头自攻螺钉 Cross Recessed Cup Head Self-Tapping Screw With Large Head			
	51A-03012	3	圆型塑料螺母 F Round Plastic Nut F			
5	51A-09055	1	鼓包上隔热垫总成 Block Upper Insulator Assembly			
	51A5-09055	1	鼓包上隔热垫总成 Block Upper Insulator Assembly		窄体系列 Narrow Cab Series	
6	51A-10016	2	大垫片 Big Shim			
	Q1460820	2	六角头组合螺栓 Hexagon Head Combination Bolt			
7	51A-10017	2	下隔热垫后固定板 Lower Insulator Rear Fixing Plate			

驾驶室地毯 / CAB FLOOR CARPET

51-F



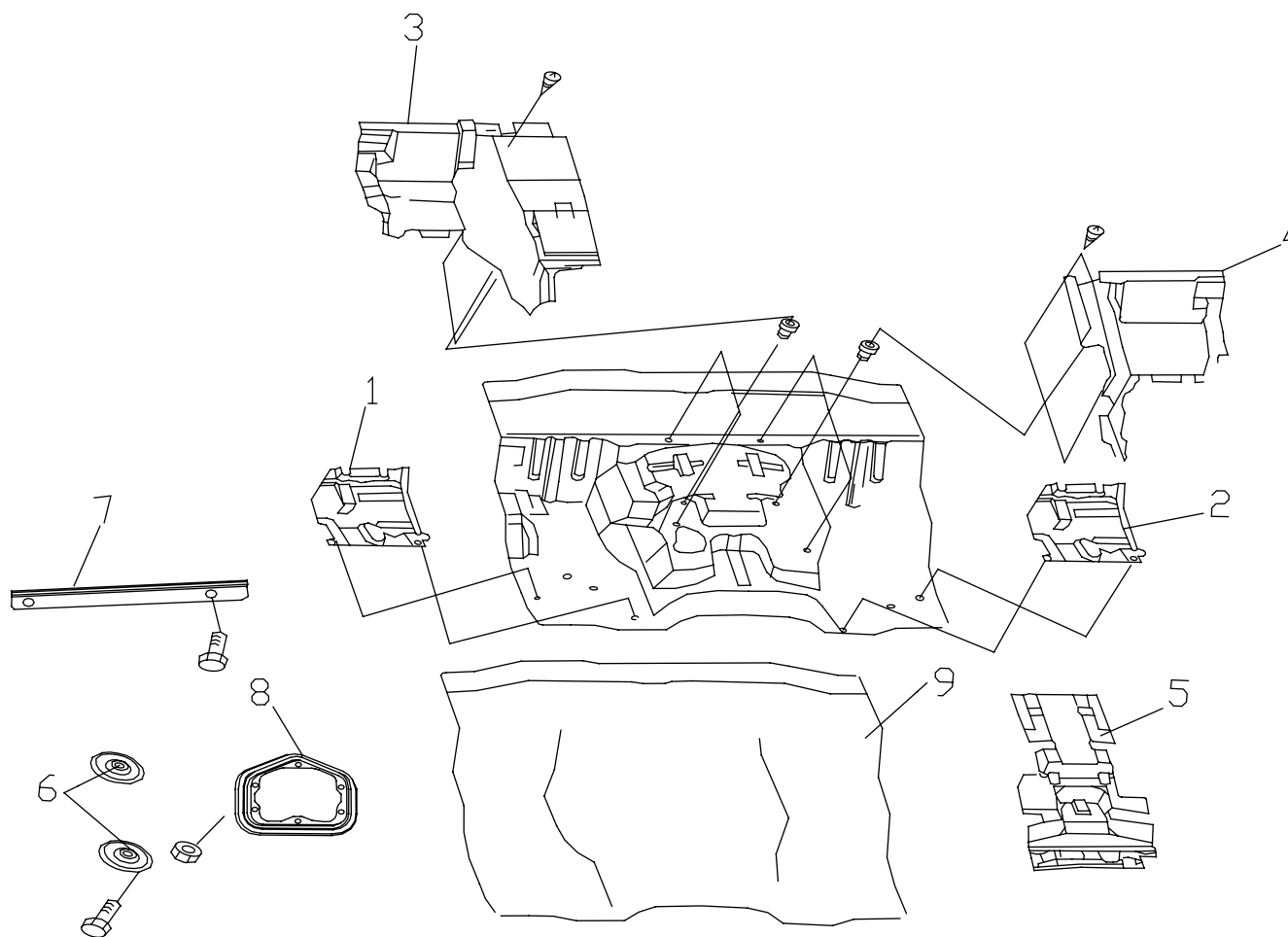
车身地板系统 / BODY FLOOR SYSTEM

51-22

序号 No.	件号 Part No.	数量 Quantity	名称 Name	规格 Specification	适用产品 Products Applied	备注 Remark
7	51A5-10017	2	下隔热垫后固定板 Lower Insulator Rear Fixing Plate		窄体系列 Narrow Cab Series	
	Q1460820	4	六角头组合螺栓 Hexagon Head Combination Bolt			
8	51A-01356	1	排档杆下盖板 Shift Lever Lower Cover Plate			
	HQ32010	3	六角法兰面螺母 - 细牙 Hexagon Nut With Flange-Fine			
9	51A-10015	1	鼓包下隔热垫 Block Lower Insulator			
	51A5-10015	1	鼓包下隔热垫 Block Lower Insulator		窄体系列 Narrow Cab Series	
	51A-01365	1	油路缓冲垫总成 Oil Circuit Bumper Assembly			
	Q32008	6	六角法兰面螺母 Hexagon Nut With Flange			

右驾驾驶室地毯 / CAB FLOOR CARPET FOR RHD

51-G



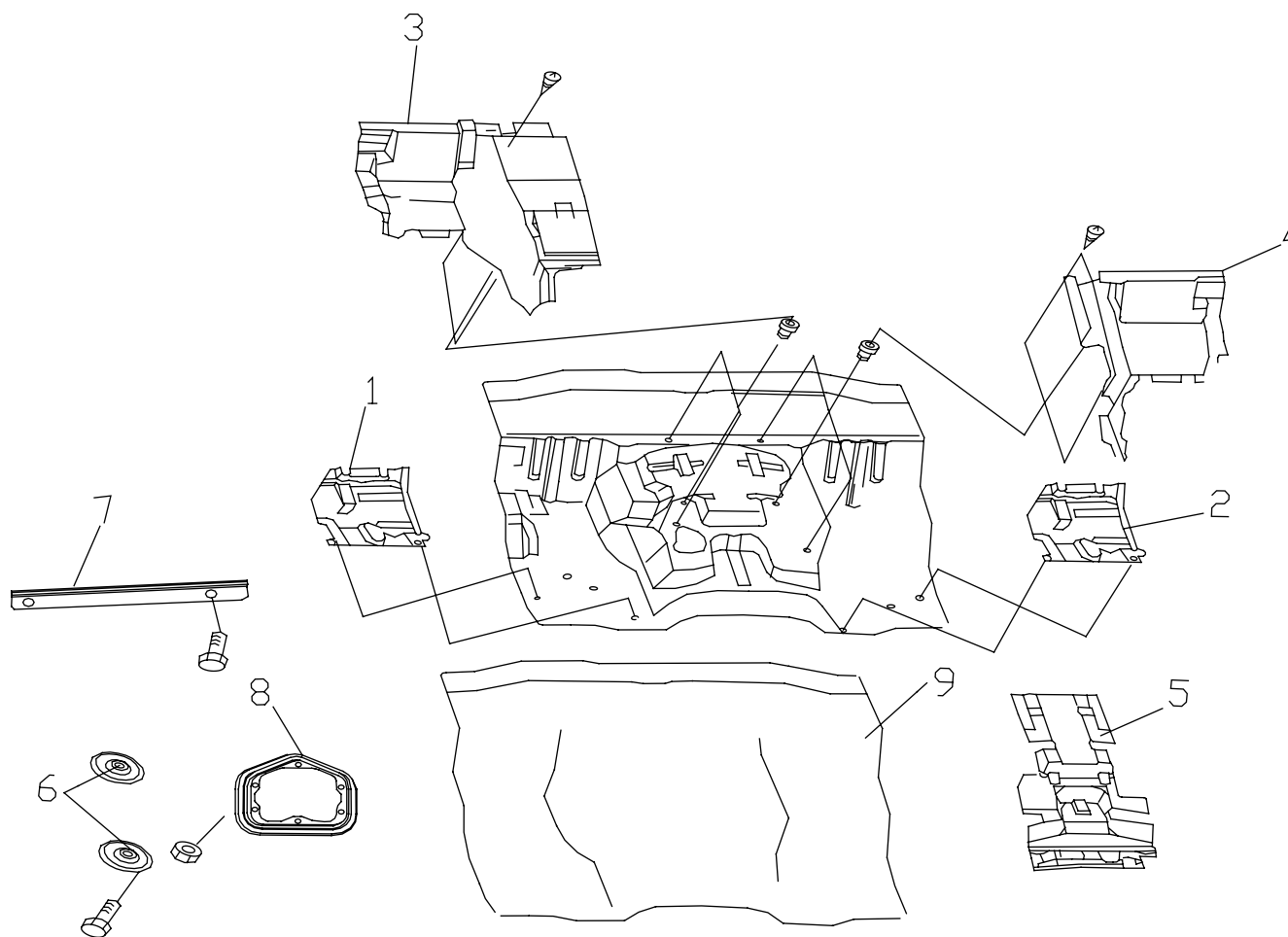
车身地板系统 / BODY FLOOR SYSTEM

51-24

序号 No.	件号 Part No.	数量 Quantity	名称 Name	规格 Specification	适用产品 Products Applied	备注 Remark
1	51AY-09015/15-A	1/1	左前地毯总成 Front Floor Carpet Assembly LH		右驾系列 -A 为高顶驾驶室专用 RHD Series-Only For High Roof Cab	
2	51AY-09025/25-A	1/1	右前地毯总成 Front Floor Carpet Assembly RH		右驾系列 -A 为高顶驾驶室专用 RHD Series-Only For High Roof Cab	
3	51AY-09035/35-A	1/1	左地毯总成 Floor Carpet Assembly LH		右驾系列 -A 为高顶驾驶室专用 RHD Series-Only For High Roof Cab	
	Q2735516	3	十字槽大半圆头自攻螺钉 Cross Recessed Cup Head Self-Tapping Screw With Large Head			
	51A-03012	3	圆型塑料螺母 F Round Plastic Nut F			
4	51AY-09036/36-A	1/1	右地毯总成 Floor Carpet Assembly RH		右驾系列 -A 为高顶驾驶室专用 RHD Series-Only For High Roof Cab	
	Q2735516	3	十字槽大半圆头自攻螺钉 Cross Recessed Cup Head Self-Tapping Screw With Large Head			
	51A-03012	3	圆型塑料螺母 F Round Plastic Nut F			
5	51AY-09055	1	鼓包上隔热垫总成 Block Upper Insulator Assembly		右驾系列 RHD Series	
6	51A-10016	2	大垫片 Big Shim			
	Q1460820	2	六角头组合螺栓 Hexagon Head Combination Bolt			
7	51A-10017	2	下隔热垫后固定板 Lower Insulator Rear Fixing Plate			
	Q1460820	4	六角头组合螺栓 Hexagon Head Combination Bolt			

右驾驾驶室地毯 / CAB FLOOR CARPET FOR RHD

51-G



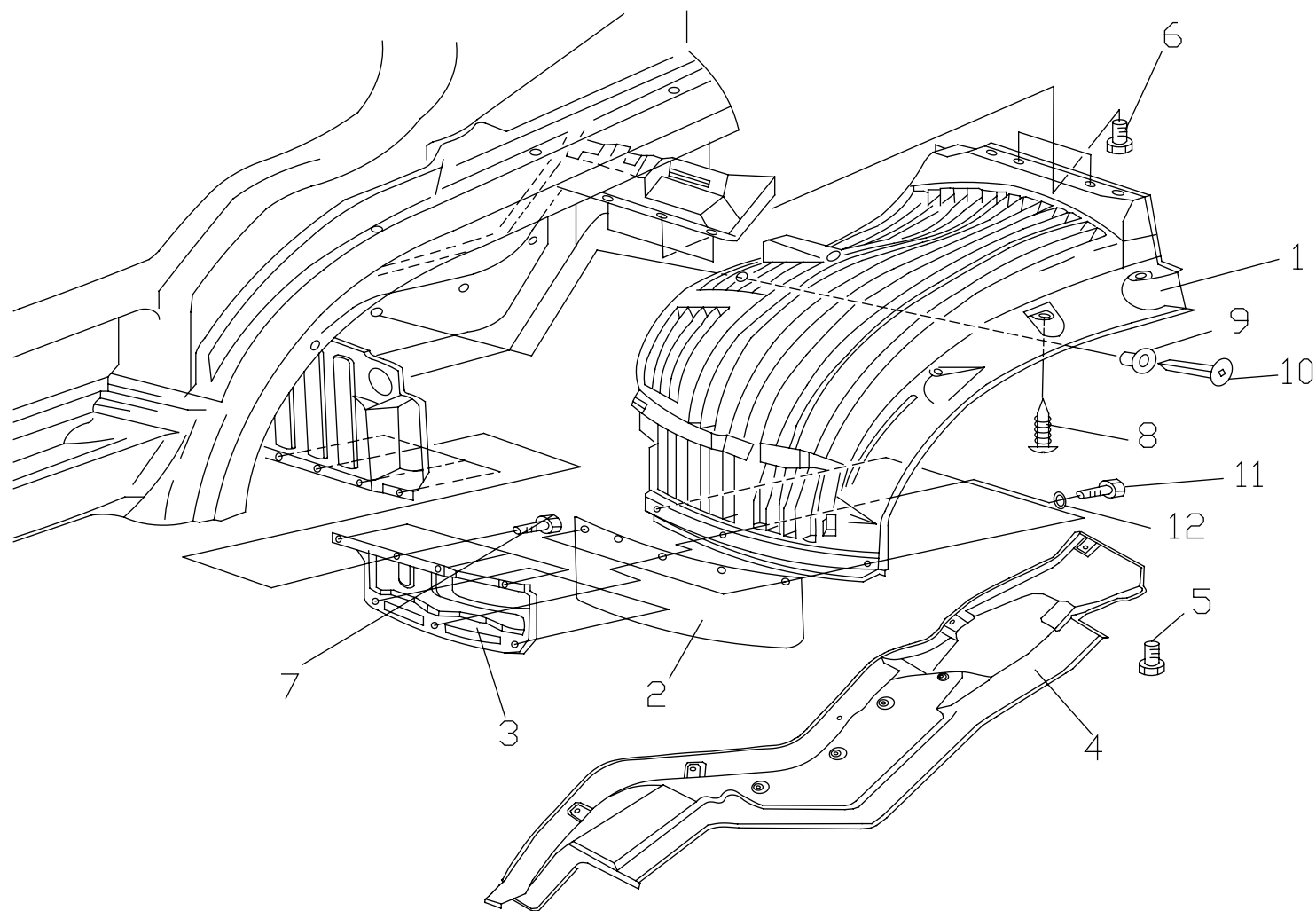
车身地板系统 / BODY FLOOR SYSTEM

51-26

序号 No.	件号 Part No.	数量 Quantity	名称 Name	规格 Specification	适用产品 Products Applied	备注 Remark
8	51AY-01356	1	排档杆下盖板 Shift Lever Lower Cover Plate		右驾系列 RHD Series	
	HQ32010	3	六角法兰面螺母 - 细牙 Hexagon Nut With Flange-Fine			
9	51A-10015	1	鼓包下隔热垫 Block Lower Insulator			
	51A-01365	1	油路缓冲垫总成 Oil Circuit Bumper Assembly			
	Q32008	6	六角法兰面螺母 Hexagon Nut With Flange			

软挡泥板 / SOFT FENDER

51-H



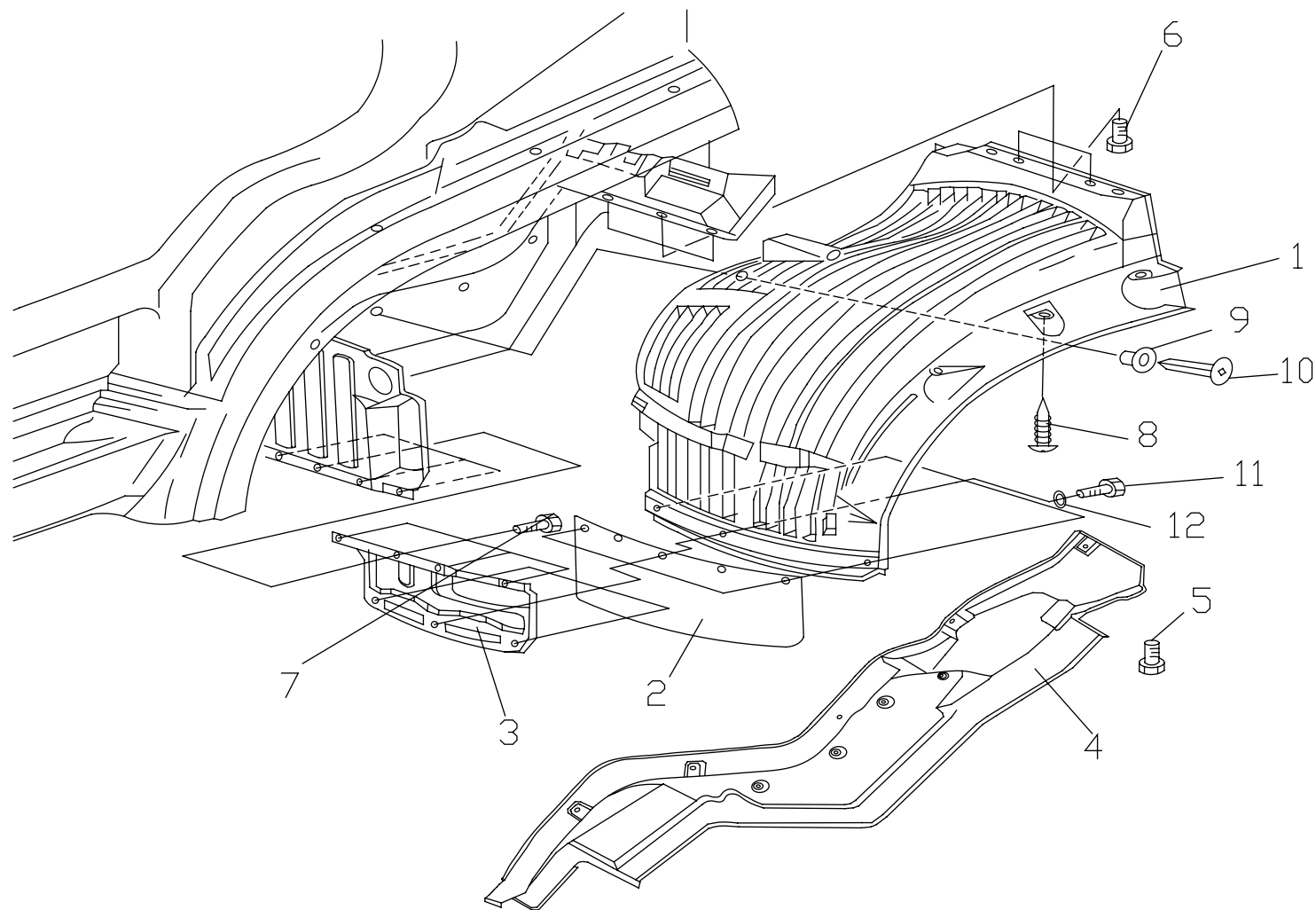
车身地板系统 / BODY FLOOR SYSTEM

51-28

序号 No.	件号 Part No.	数量 Quantity	名称 Name	规格 Specification	适用产品 Products Applied	备注 Remark
1	51A-05075	1	左软挡泥板总成 Soft Fender Assembly LH			
	51A-05076	1	右软挡泥板总成 Soft Fender Assembly RH			
	51A5-05075	1	左软挡泥板总成 Soft Fender Assembly LH		窄体系列 Narrow Cab Series	
	51A5-05076	1	右软挡泥板总成 Soft Fender Assembly RH		窄体系列 Narrow Cab Series	
2	51A-05077	1	左 EVA 挡泥板 - 软挡泥板 EVA Fender LH-Soft Fender			
	51A-05078	1	右 EVA 挡泥板 - 软挡泥板 EVA Fender RH-Soft Fender			
3	51A-01357	1	左前挡泥板下连接板总成 Front Fender Lower Connecting Board Assembly LH			
	51A-01361	1	右前挡泥板下连接板总成 Front Fender Lower Connecting Board Assembly RH			
4	51A3D-10019	1	左内软挡泥板总成 - 带 EVA Inner Soft Fender LH Assembly-W/EVA			
	51A3D-10020	1	右内软挡泥板总成 - 带 EVA Inner Soft Fender RH Assembly-W/EVA			
5	Q1460825	8	六角头组合螺栓 Hexagon Head Combination Bolt			
6	Q1460820	8	六角头组合螺栓 Hexagon Head Combination Bolt			
7	Q1460816	8	六角头组合螺栓 Hexagon Head Combination Bolt			

软挡泥板 / SOFT FENDER

51-H



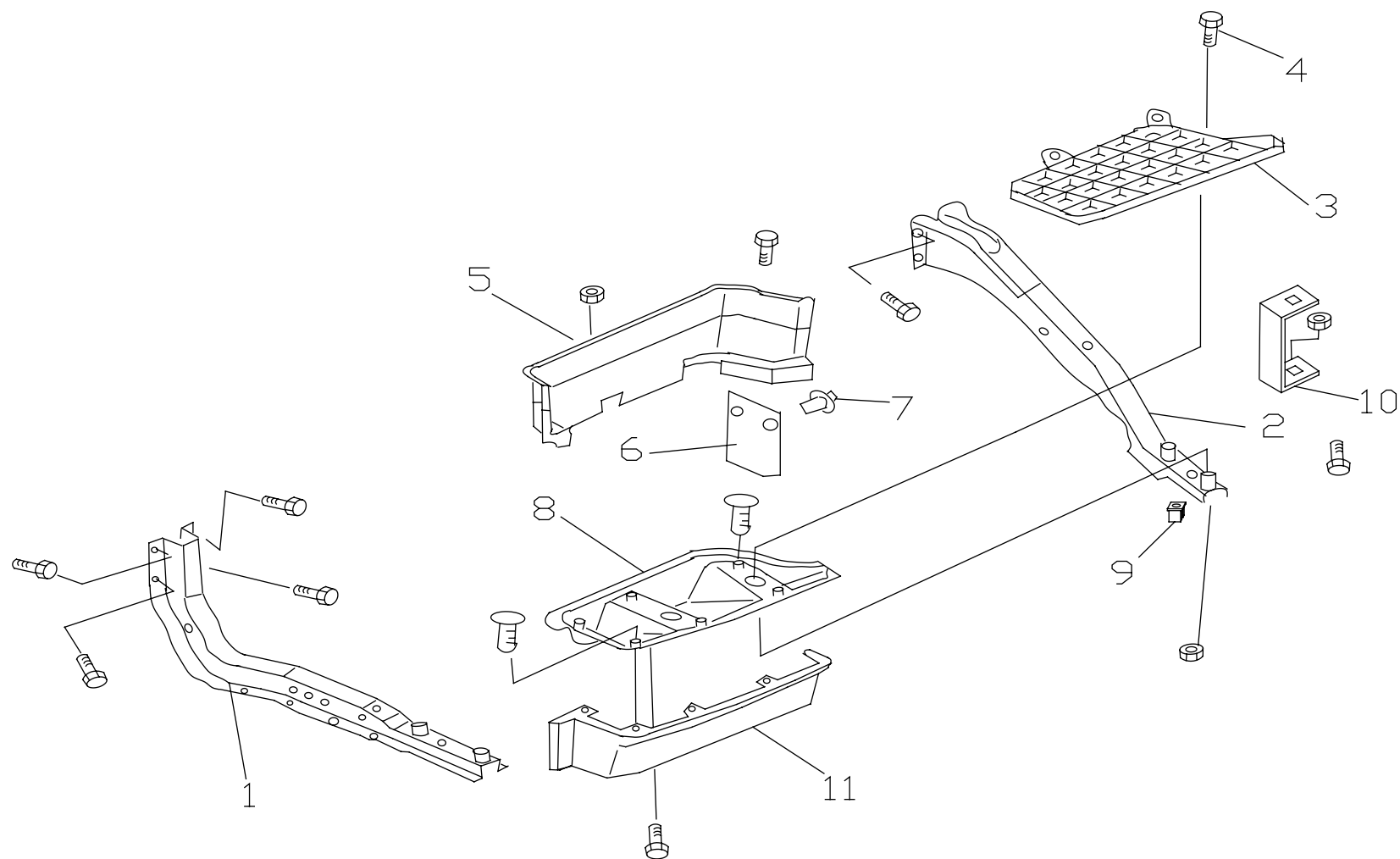
车身地板系统 / BODY FLOOR SYSTEM

51-30

序号 No.	件号 Part No.	数量 Quantity	名称 Name	规格 Specification	适用产品 Products Applied	备注 Remark
8	Q2734816	6	十字槽大半圆头自攻螺钉 Cross Recessed Cup Head Self-Tapping Screw With Large Head			
9	51A-05081	8	圆型塑料螺母 E Round Plastic Nut E			
10	51A-05079	8	塑料螺钉 E Plastic Screw E			
11	Q1420616	6	六角头弹平垫组合螺栓 Hexagon Head Combination Bolt With Spring And Plate Washer			
12	Q40206	6	大平垫 Big Plate Washer			

下脚踏板 / LOWER PEDAL

51-I



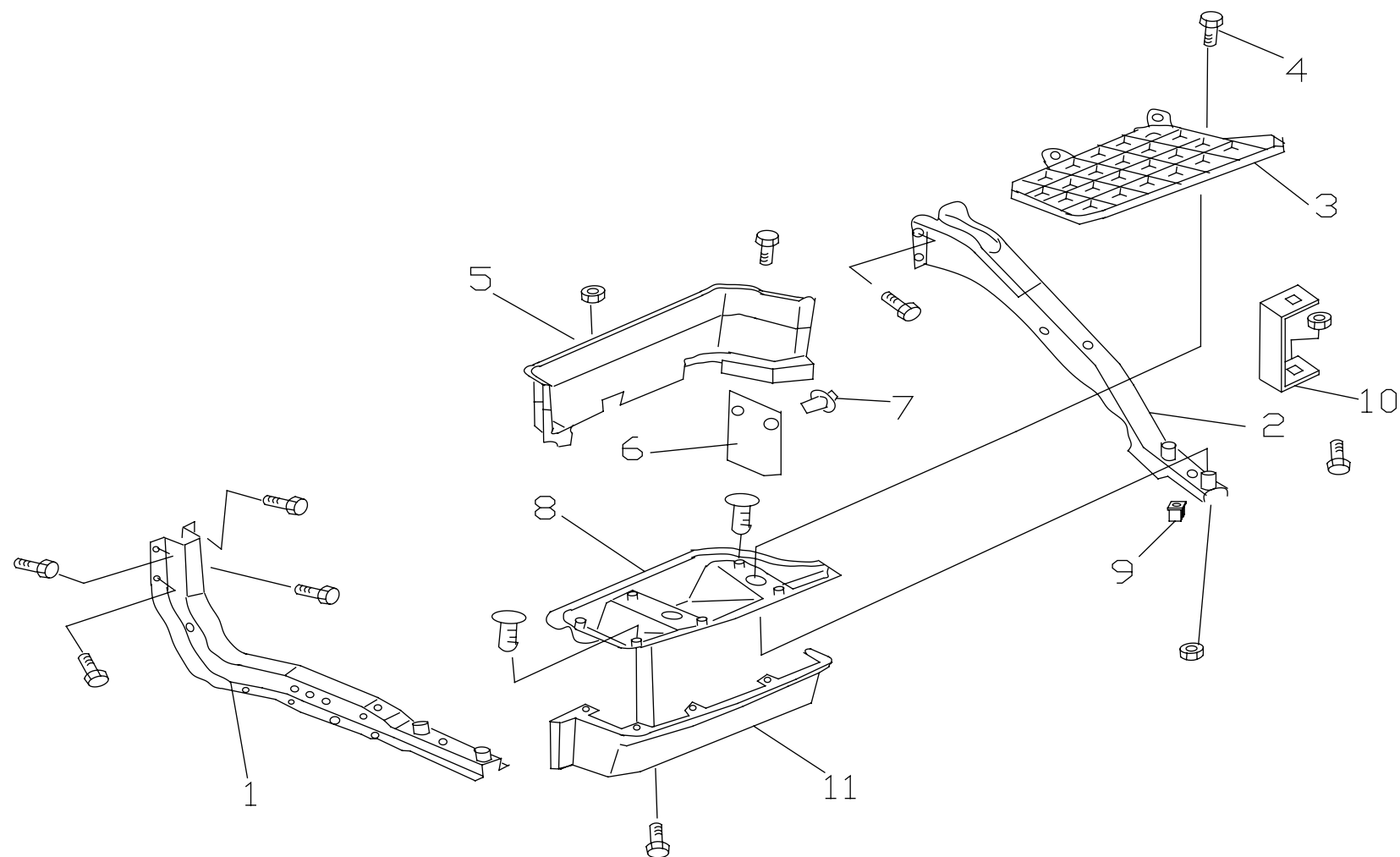
车身地板系统 / BODY FLOOR SYSTEM

51-32

序号 No.	件号 Part No.	数量 Quantity	名称 Name	规格 Specification	适用产品 Products Applied	备注 Remark
1	51A3D-05041	2	脚踏板前托架总成 Pedal Front Bracket Assembly			
	51A5-05041	2	脚踏板前托架总成 Pedal Front Bracket Assembly		窄体系列 Narrow Cab Series	
	Q1461035	8	六角头组合螺栓 Hexagon Head Combination Bolt			
	50AK20DZ5-05041	1	脚踏板前托架总成 Pedal Front Bracket Assembly		976 车架系列 976 Frame Series	
2	51A3D-05045	1	左脚踏板后托架总成 Left Pedal Rear Bracket Assembly			
	51A3D-05046	1	右脚踏板后托架总成 Right Pedal Rear Bracket Assembly			
	Q1461035	8	六角头组合螺栓 Hexagon Head Combination Bolt			
	51A5-05045/6	1/1	左 / 右脚踏板后托架总成 Left/Right Pedal Rear Bracket Assembly		窄体系列 Narrow Cab Series	
	50B42DP10-05045	1	左脚踏板后托架总成 Left Pedal Rear Bracket Assembly		窄体双前桥系列 Narrow Cab Double Front Axle Series	
	50A3DP3-05045	1	左脚踏板后托架总成 Left Pedal Rear Bracket Assembly		宽体双前桥系列 Wide Cab Double Front Axle Series	
	50AK20DZ5-05045	1	左脚踏板后托架总成 Left Pedal Rear Bracket Assembly		976 车架系列 976 Frame Series	
	50AK20DZ5-05046	1	右脚踏板后托架总成 Right Pedal Rear Bracket Assembly		976 车架系列 976 Frame Series	
	51AH52DYZ4-05046	1	右脚踏板后托架总成 Right Pedal Rear Bracket Assembly		976 车架右驾双前桥系列 976 Frame RHD Double Front Axle Series	
3	51A1-05040	2	下脚踏板 Lower Pedal			

下脚踏板 / LOWER PEDAL

51-I



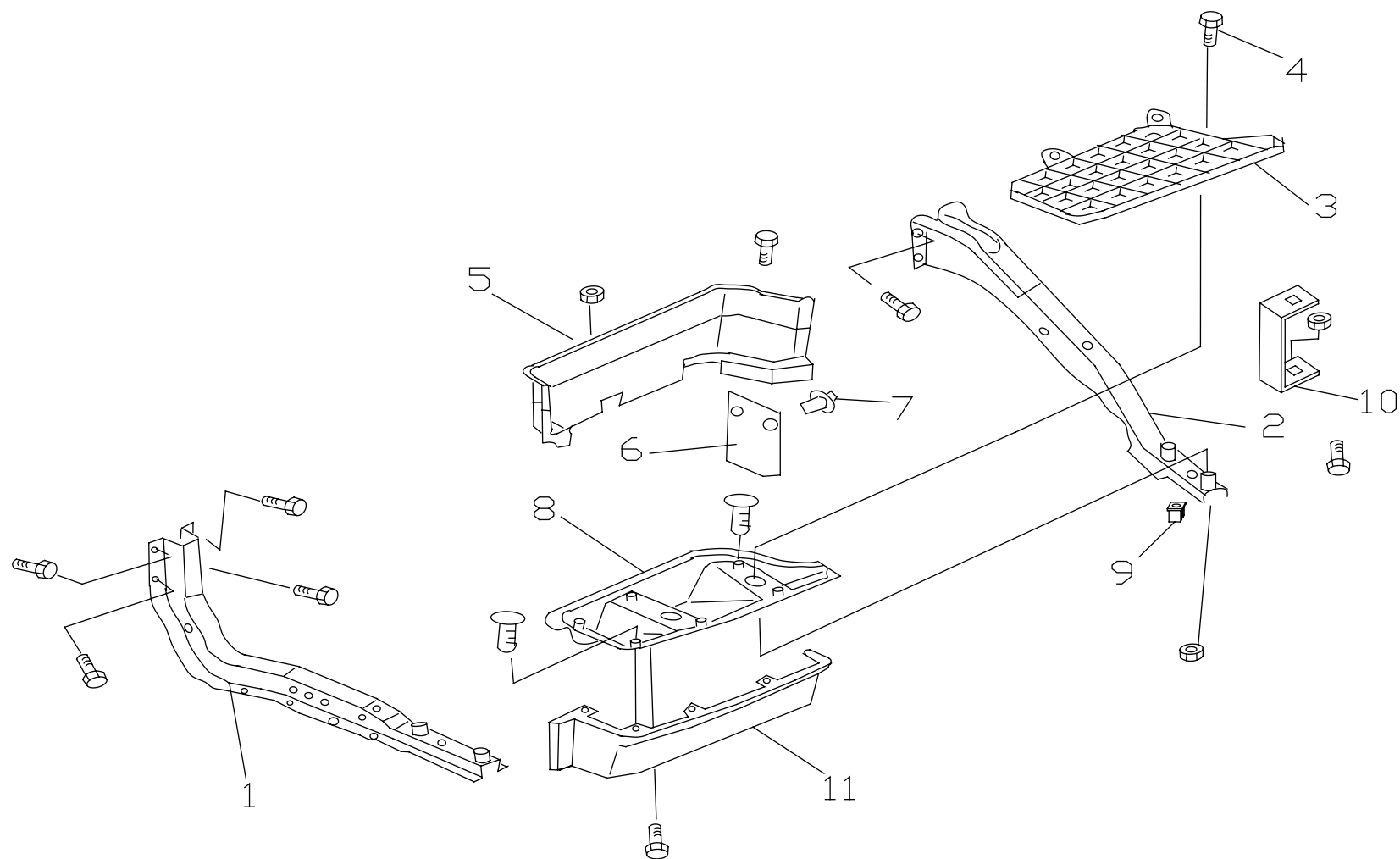
车身地板系统 / BODY FLOOR SYSTEM

51-34

序号 No.	件号 Part No.	数量 Quantity	名称 Name	规格 Specification	适用产品 Products Applied	备注 Remark
4	51A3D-05035	8	小六角头螺栓 Small Hexagon Head Bolt			
	Q32008	8	六角法兰面螺母 Hexagon Nut With Flange			
5	51A1-05051	1	左踏板下护板 Left Pedal Lower Protector			
	51A1-05052	1	右踏板下护板 Right Pedal Lower Protector			
	Q2360520	12	十字槽弹平垫组合螺钉 Cross Recessed Combination Screw With Spring And Plate Washer			
	Q340B05	12	I型六角头螺母 Hexagon Full Nut			
6	51A1-05061	1	左小挡泥片 Small Mud Guard LH			
	51A1-05062	1	右小挡泥片 Small Mud Guard RH			
7	51A-05081	4	圆型塑料螺母 E Round Plastic Nut E			
	51A-05079	4	塑料螺钉 E Plastic Screw E			
8	51A1-05055	1	左踏板下衬板 Left Pedal Lower Patch			
	51A1-05056	1	右踏板下衬板 Right Pedal Lower Patch			
	Q2734816	4	十字槽大半圆头自攻螺钉 Cross Recessed Cup Head Self-Tapping Screw With Large Head			

下脚踏板 / LOWER PEDAL

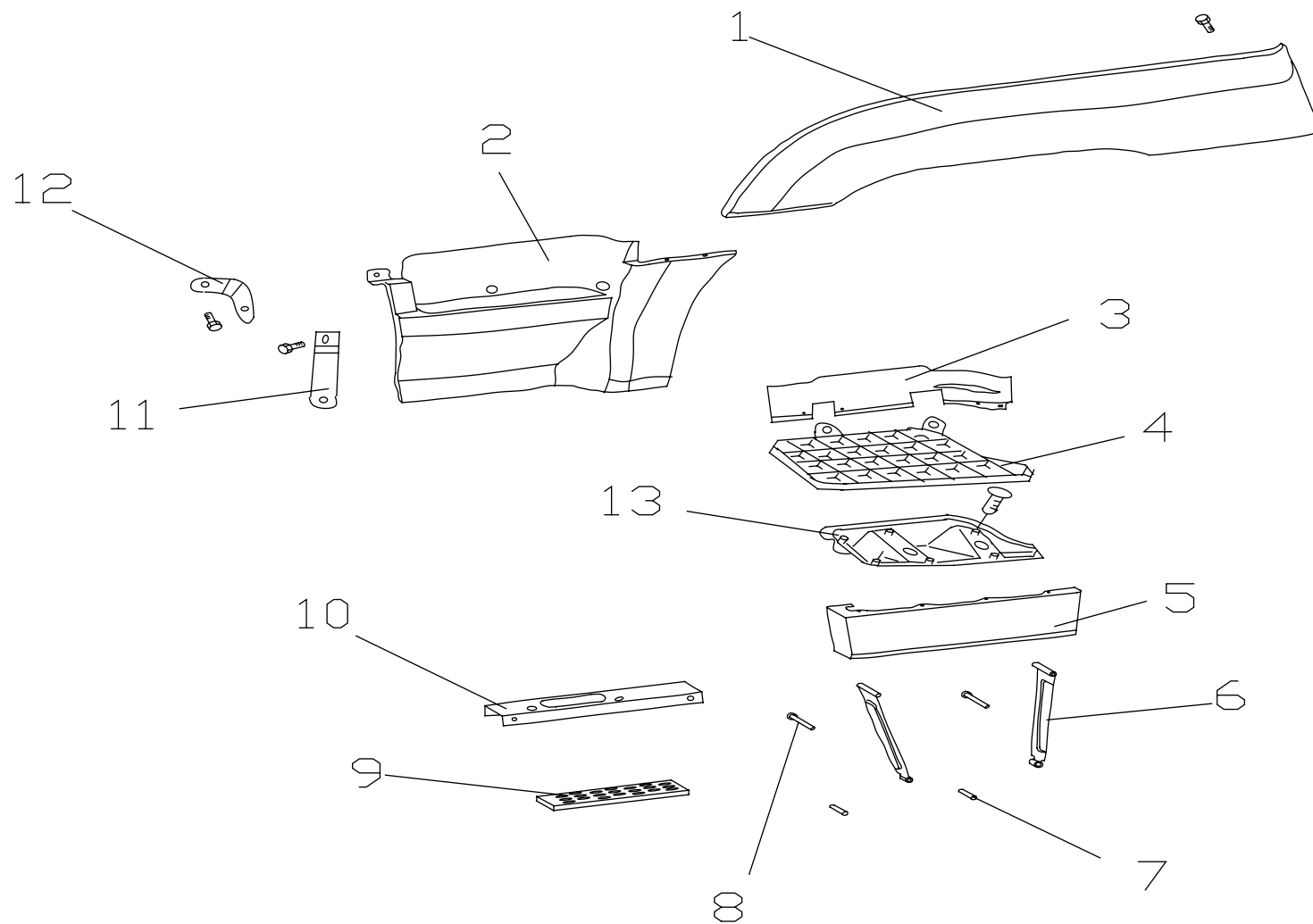
51-I



序号 No.	件号 Part No.	数量 Quantity	名称 Name	规格 Specification	适用产品 Products Applied	备注 Remark
9	51A-05036	4	圆型塑料螺母 D Round Plastic Nut D			
10	51A3D-05059	4	下踏板中支架 Lower Pedal Middle Bracket			
	Q1460630	4	六角头组合螺栓 Hexagon Head Combination Bolt			
	Q32006	4	六角法兰面螺母 Hexagon Nut With Flange			
11	51A1-05057	1	左踏板下饰板 Left Pedal Lower Trim			
	51A1-05058	1	右踏板下饰板 Right Pedal Lower Trim			
	Q2734816	10	十字槽大半圆头自攻螺钉 Cross Recessed Cup Head Self-Tapping Screw With Large Head			

欧款下脚踏板 / EUROPE LOWER PEDAL

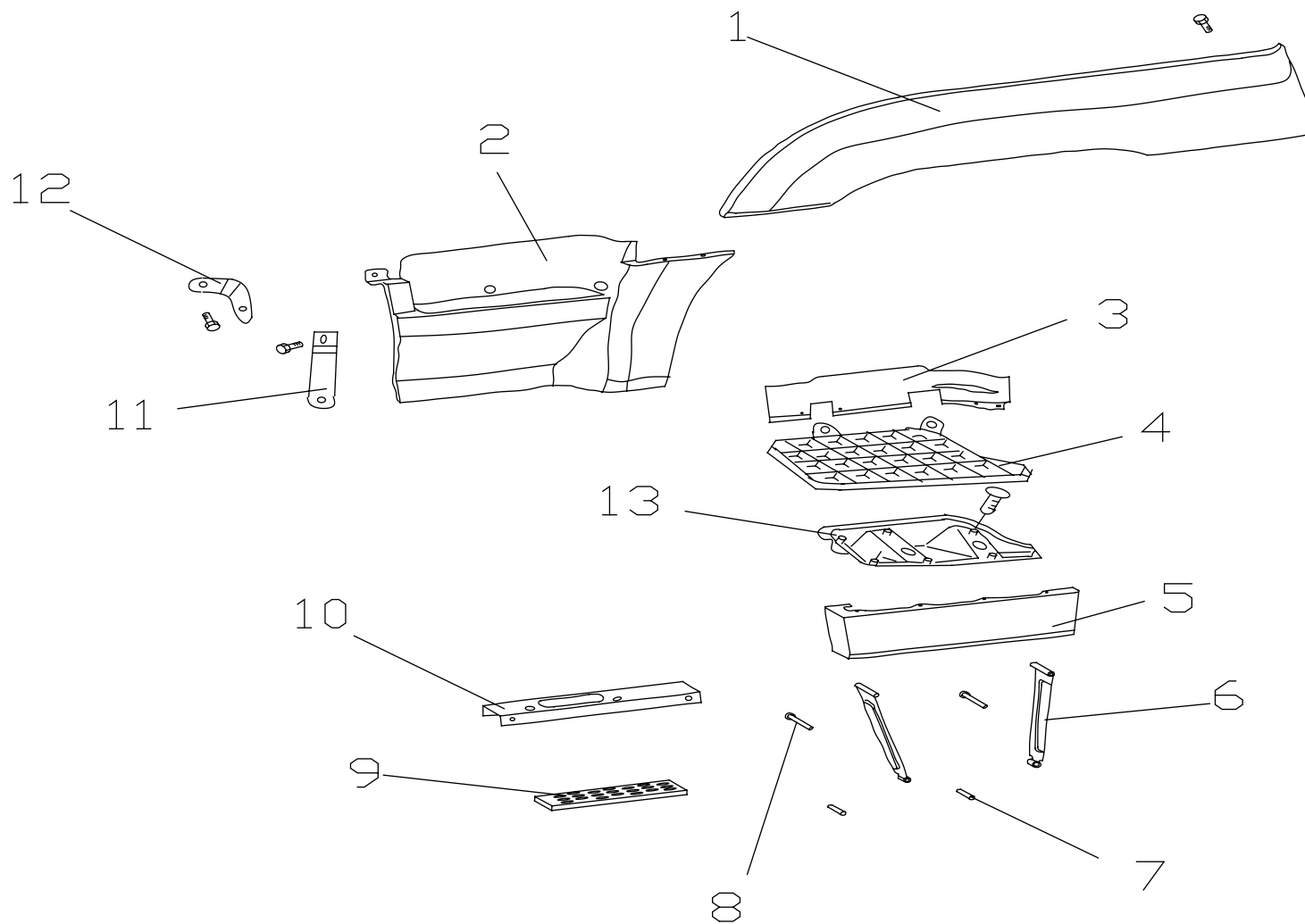
51-J



序号 No.	件号 Part No.	数量 Quantity	名称 Name	规格 Specification	适用产品 Products Applied	备注 Remark
1	51E-05017	1	左轮弧饰板 Wheel Cradle Trim LH		欧款系列 Europe Series	
	51E-05018	1	右轮弧饰板 Wheel Cradle Trim RH		欧款系列 Europe Series	
	Q1460620	10	六角头组合螺栓 Hexagon Head Combination Bolt			
2	51E-05037	1	左踏板护板 Pedal Protector LH		欧款系列 Europe Series	
	51E-05038	1	右踏板护板 Pedal Protector RH		欧款系列 Europe Series	
	Q1460820	6	六角头组合螺栓 Hexagon Head Combination Bolt			
	Q1460625	4	六角头组合螺栓 Hexagon Head Combination Bolt			
	Q32006	4	六角法兰面螺母 Hexagon Nut With Flange			
3	51E-05051	1	左踏板下护板 Left Pedal Lower Protector		欧款系列 Europe Series	
	51E-05052	1	右踏板下护板 Right Pedal Lower Protector		欧款系列 Europe Series	
	Q2360520	10	十字槽弹平垫组合螺钉 Cross Recessed Combination Screw With Spring And Plate Washer			
4	51E-05040	2	下脚踏板 Lower Pedal		欧款系列 Europe Series	
	51A3D-05035	8	小六角头螺栓—长 Small Hexagon Head Bolt-Long			
	Q32008	8	六角法兰面螺母 Hexagon Nut With Flange			

欧款下脚踏板 / EUROPE LOWER PEDAL

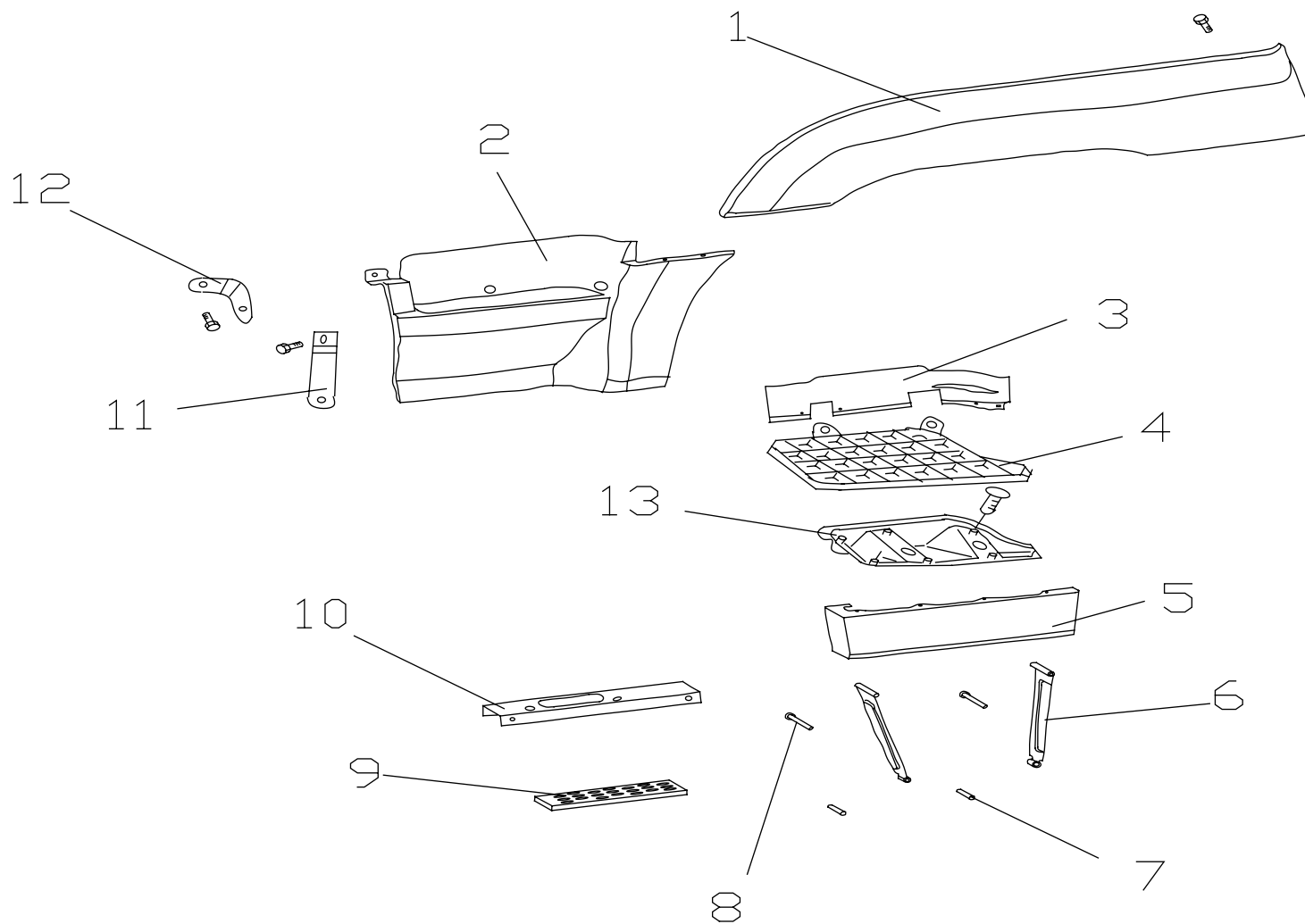
51-J



序号 No.	件号 Part No.	数量 Quantity	名称 Name	规格 Specification	适用产品 Products Applied	备注 Remark
5	51E-05057	1	左踏板下饰板 Left Pedal Lower Trim		欧款系列 Europe Series	
	51E-05058	1	右踏板下饰板 Right Pedal Lower Trim		欧款系列 Europe Series	
	Q2734816	8	十字槽大半圆头自攻螺钉 Cross Recessed Cup Head Self-Tapping Screw With Large Head			
6	51EG-06025	4	一级脚踏板连接板 Primary Pedal Connecting Board		欧款高顶系列 Europe High Roof Series	
7	Q5101085	4	销轴 Center Pin		欧款高顶系列 Europe High Roof Series	
8	51EG-06026	4	一级踏板上组合螺栓 Primary Pedal Upper Combination Bolt		欧款高顶系列 Europe High Roof Series	
9	51EG-06030	2	一级脚踏板总成 Primary Pedal Assembly		欧款高顶系列 Europe High Roof Series	
10	51EG-06020	1	一级脚踏板左支座总成 Primary Pedal Left Support Assembly		欧款高顶系列 Europe High Roof Series	
	51EG-06022	1	一级脚踏板右支座总成 Primary Pedal Right Support Assembly		欧款高顶系列 Europe High Roof Series	
	Q1461030	2	六角头组合螺栓 Hexagon Head Combination Bolt			
	Q340B10	2	六角头螺母 Hexagon Head Nut			
11	51E-05083	1	左脚踏板下支架(前) Left Pedal Lower Bracket (Front)		欧款系列 Europe Series	
	51E-05084	1	右脚踏板下支架(前) Right Pedal Lower Bracket (Front)		欧款系列 Europe Series	
	Q1460820	2	六角头组合螺栓 Hexagon Head Combination Bolt			

欧款下脚踏板 / EUROPE LOWER PEDAL

51-J



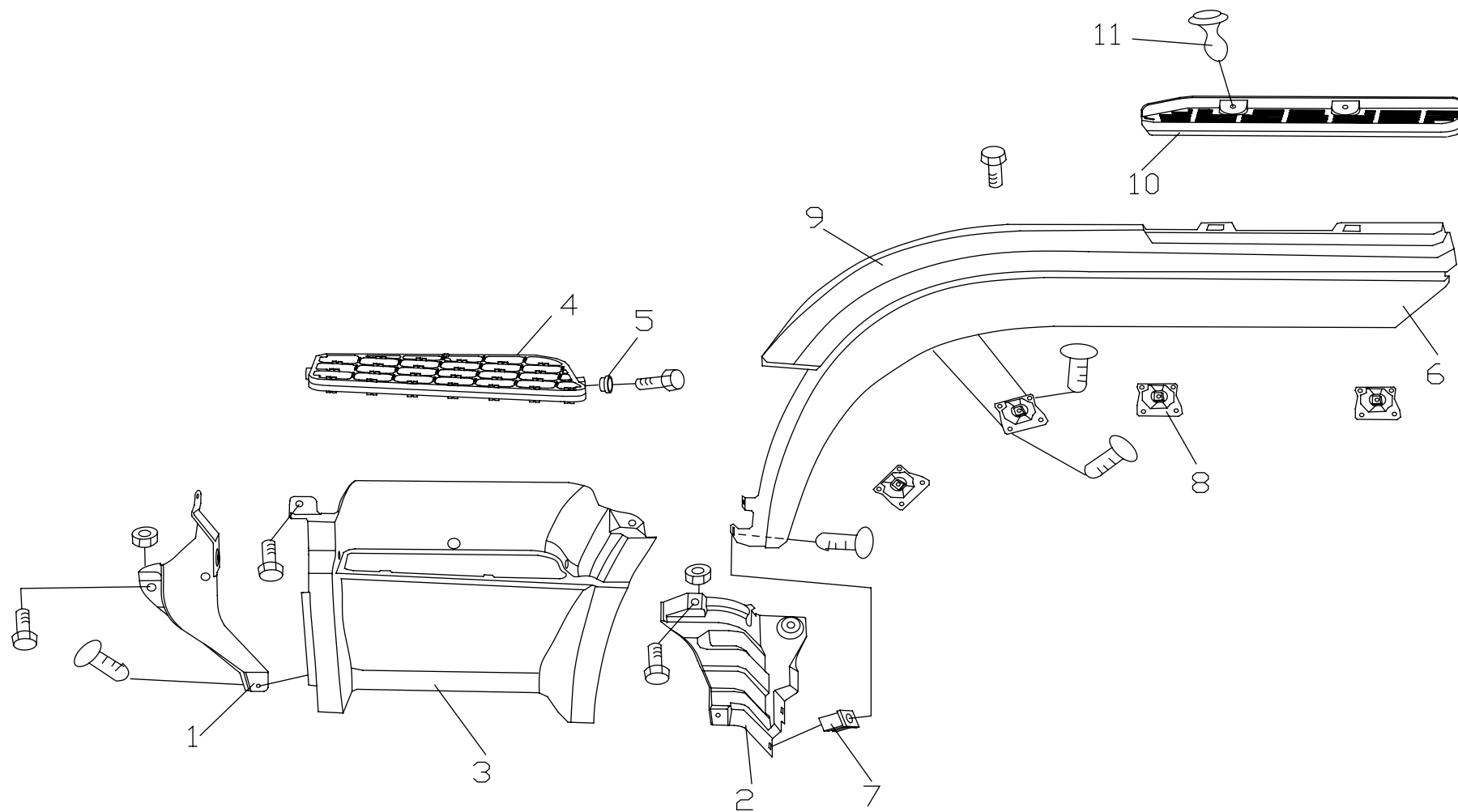
车身地板系统 / BODY FLOOR SYSTEM

51-42

序号 No.	件号 Part No.	数量 Quantity	名称 Name	规格 Specification	适用产品 Products Applied	备注 Remark
11	Q340B08	2	六角头螺母 Hexagon Head Nut			
12	51E-05081	1	左脚踏板上支架 (前) Left Pedal Upper Bracket (Front)		欧款系列 Europe Series	
	51E-05082	1	右脚踏板上支架 (前) Right Pedal Upper Bracket (Front)		欧款系列 Europe Series	
	Q1460820	2	六角头组合螺栓 Hexagon Head Combination Bolt			
	Q340B08	2	六角头螺母 Hexagon Head Nut			
13	51A1-05055	1	左踏板下衬板 Left Pedal Lower Patch			
	51A1-05056	1	右踏板下衬板 Right Pedal Lower Patch			
	Q2734816	4	十字槽大半圆头自攻螺钉 Cross Recessed Cup Head Self-Tapping Screw With Large Head			

上脚踏板 / UPPER PEDAL

51-K



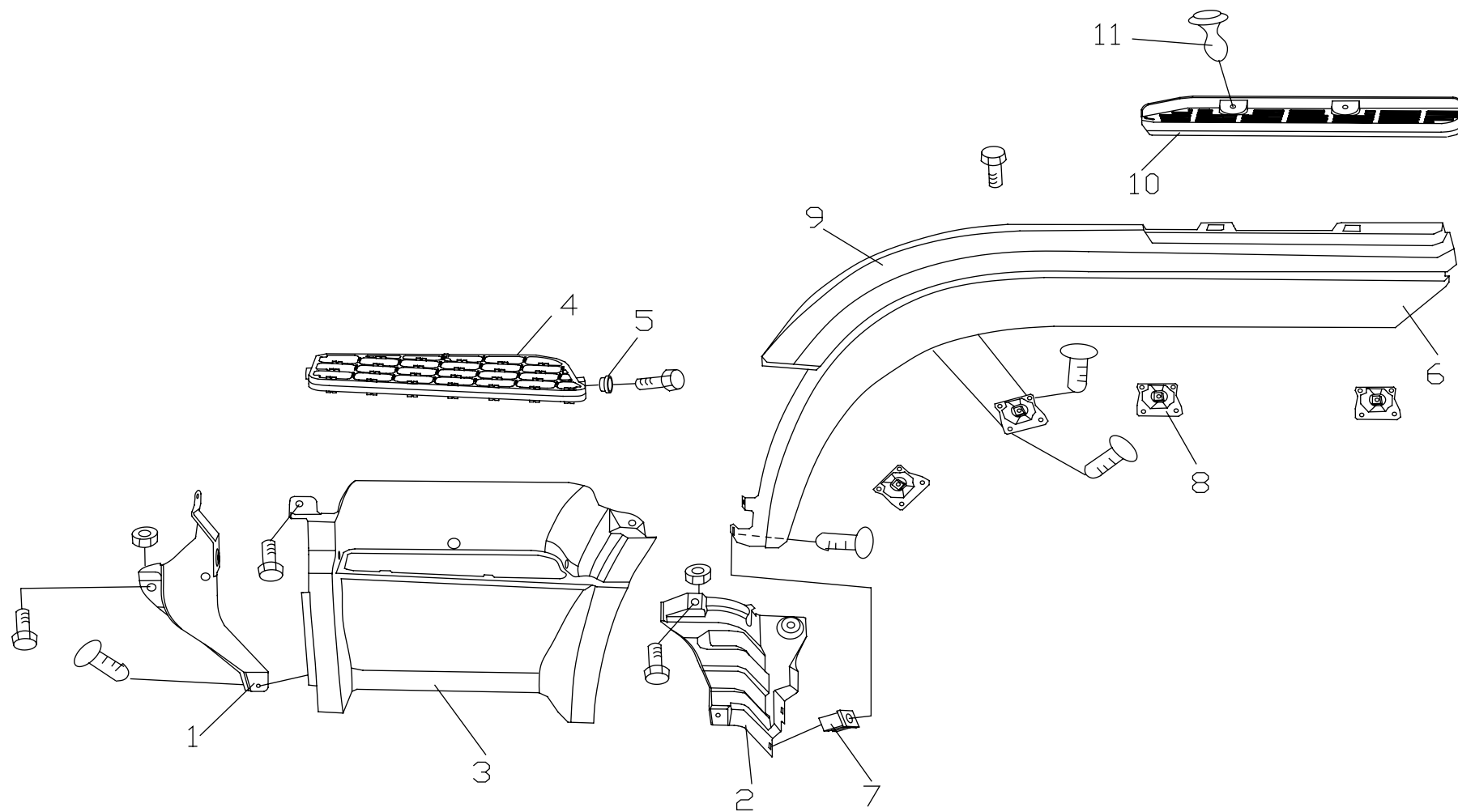
车身地板系统 / BODY FLOOR SYSTEM

51-44

序号 No.	件号 Part No.	数量 Quantity	名称 Name	规格 Specification	适用产品 Products Applied	备注 Remark
1	51B1-05081	1	左脚踏板加强板（前） Pedal Stiffening Plate LH(Front)			
	51B1-05082	1	右脚踏板加强板（前） Pedal Stiffening Plate RH(Front)			
	Q1460820	6	六角头组合螺栓 Hexagon Head Combination Bolt			
	Q340B08	6	I 型六角头螺母 Hexagon Head Full Nut			
2	51B1-05085	1	左脚踏板加强板（后） Pedal Stiffening Plate LH(Rear)			
	51B1-05086	1	右脚踏板加强板（后） Pedal Stiffening Plate RH(Rear)			
	Q1460820	6	六角头组合螺栓 Hexagon Head Combination Bolt			
	Q340B08	6	I 型六角头螺母 Hexagon Head Full Nut			
3	51A1-05037	1	左踏板护板 Pedal Protector LH			
	51A1-05038	1	右踏板护板 Pedal Protector RH			
	51A15-05037	1	左踏板护板 Pedal Protector LH		窄体系列 Narrow Cab Series	
	51A15-05038	1	右踏板护板 Pedal Protector RH		窄体系列 Narrow Cab Series	
	Q1460820	4	六角头组合螺栓 Hexagon Head Combination Bolt			
	Q2734813	4	十字槽大半圆头自攻螺钉 Cross Recessed Cup Head Self-Tapping Screw With Large Head			

上脚踏板 / UPPER PEDAL

51-K



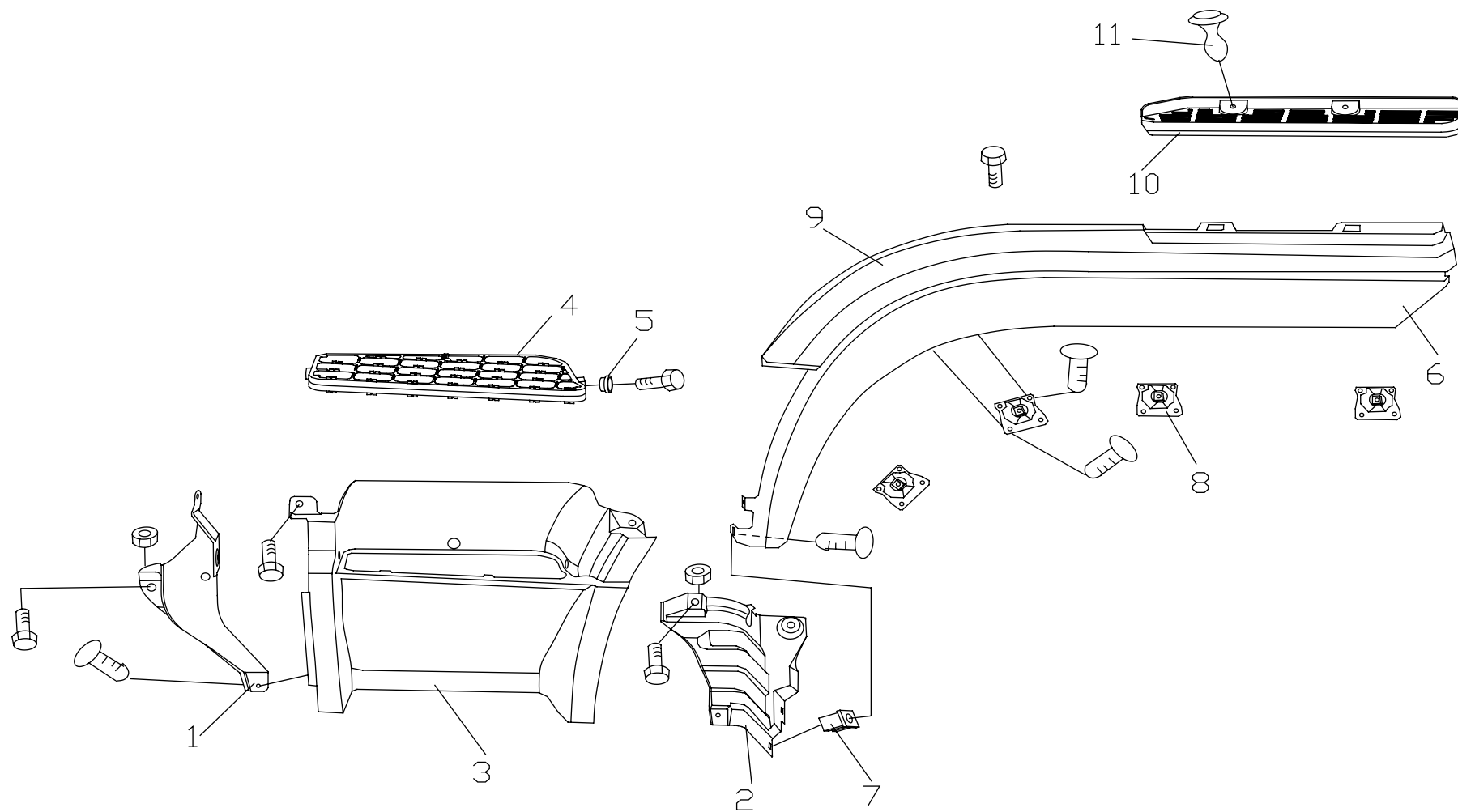
车身地板系统 / BODY FLOOR SYSTEM

51-46

序号 No.	件号 Part No.	数量 Quantity	名称 Name	规格 Specification	适用产品 Products Applied	备注 Remark
4	51A1-05039	2	上脚踏板 Upper Pedal			
	Q1460820	6	六角头组合螺栓 Hexagon Head Combination Bolt			
5	51A-05033	6	圆盘型塑料垫片 Disc Plastic Shim			
6	51A1-05021	1	左轮弧下饰板 Left Wheel Cradle Lower Trim			
	51A1-05022	1	右轮弧下饰板 Right Wheel Cradle Lower Trim			
	51A15-05021	1	左轮弧下饰板 Left Wheel Cradle Lower Trim		窄体系列 Narrow Cab Series	
	51A15-05022	1	右轮弧下饰板 Right Wheel Cradle Lower Trim		窄体系列 Narrow Cab Series	
	Q2734816	4	十字槽大半圆头自攻螺钉 Cross Recessed Cup Head Self-Tapping Screw With Large Head			
7	51B-02018	4	方型塑料螺母 A Square Plastic Nut A			
8	51A1-05020	8	轮弧饰板支架总成 Wheel Cradle Trim Bracket Assembly			
	51A15-05020	8	轮弧饰板支架总成 Wheel Cradle Trim Bracket Assembly		窄体系列 Narrow Cab Series	
	Q1460816	8	六角头组合螺栓 Hexagon Head Combination Bolt			
	Q2725565	16	十字槽盘头自攻螺钉 Cross Recessed Pan Head Self-Tapping Screw			
	Q2725513	18	十字槽盘头自攻螺钉 Cross Recessed Pan Head Self-Tapping Screw			

上脚踏板 / UPPER PEDAL

51-K



车身地板系统 / BODY FLOOR SYSTEM

51-48

序号 No.	件号 Part No.	数量 Quantity	名称 Name	规格 Specification	适用产品 Products Applied	备注 Remark
9	51A1-05017	1	左轮弧上饰板 Left Wheel Cradle Upper Trim			
	51A1-05018	1	右轮弧上饰板 Right Wheel Cradle Upper Trim			
	51A15-05017	1	左轮弧上饰板 Left Wheel Cradle Upper Trim		窄体系列 Narrow Cab Series	
	51A15-05018	1	右轮弧上饰板 Right Wheel Cradle Upper Trim		窄体系列 Narrow Cab Series	
10	51A1-05031	1	左轮弧脚踏板 Wheel Cradle Pedal LH			
	51A1-05032	1	右轮弧脚踏板 Wheel Cradle Pedal RH			
	51A15-05031	1	左轮弧脚踏板 Wheel Cradle Pedal LH		窄体系列 Narrow Cab Series	
	51A15-05032	1	右轮弧脚踏板 Wheel Cradle Pedal RH		窄体系列 Narrow Cab Series	
	Q1460820	4	六角头组合螺栓 Hexagon Head Combination Bolt			
11	82B-07057	4	塑料堵盖 A Plastic Block Cover A			

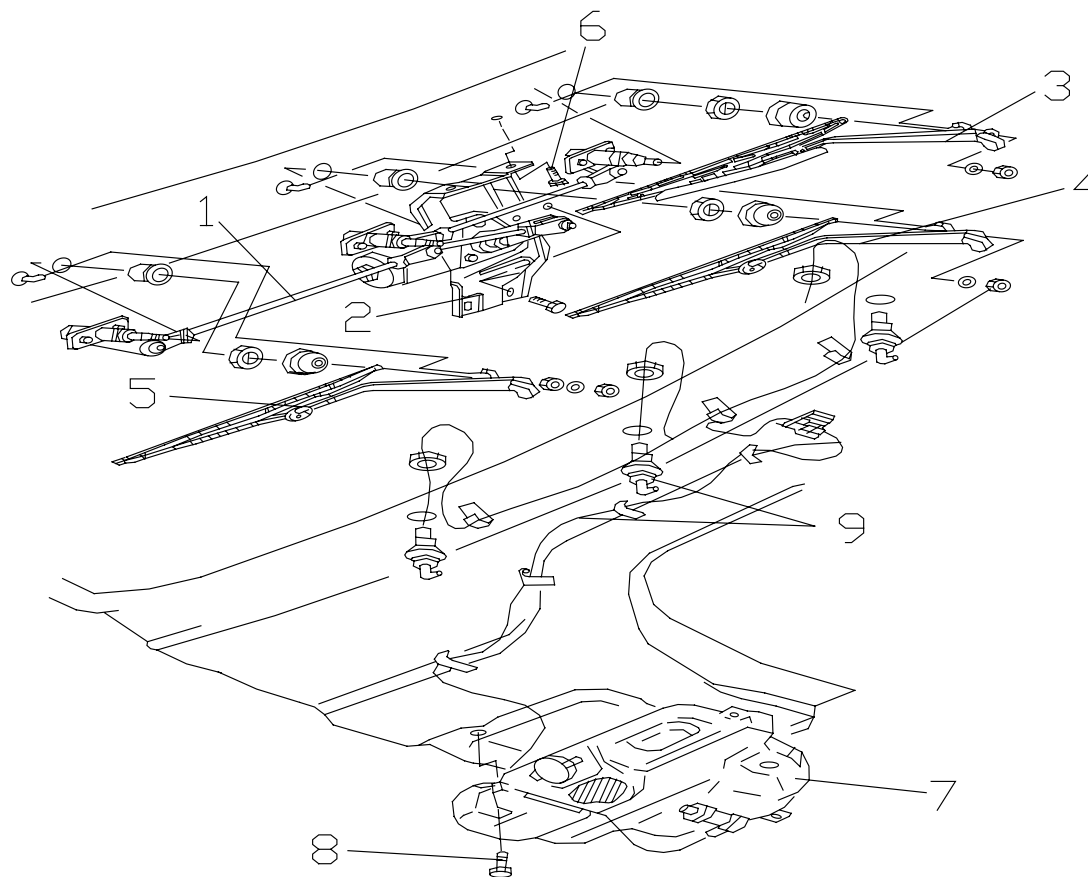
52

风窗系统

WINDSHIELD SYSTEM

刮水器、洗涤器 / WIPER, WASHER

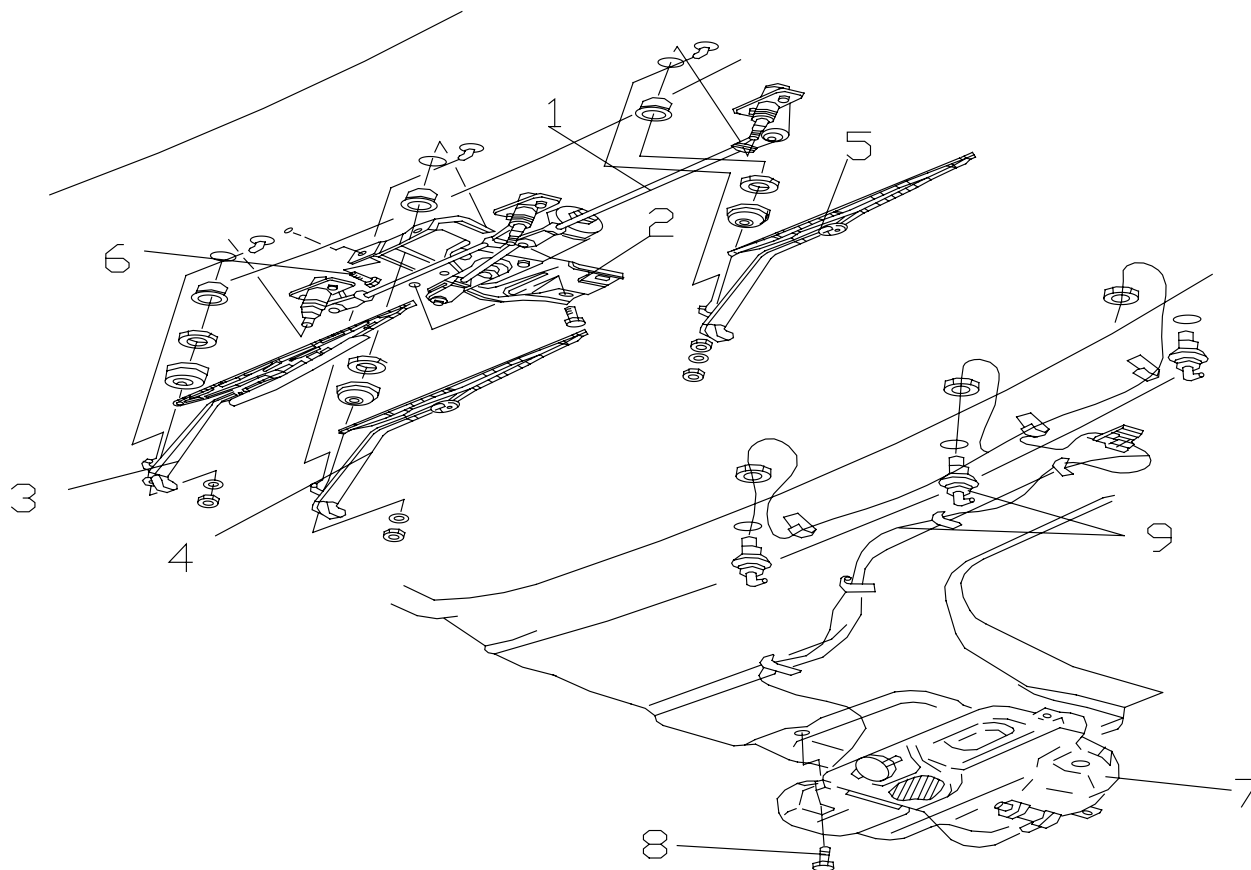
52-A



序号 No.	件号 Part No.	数量 Quantity	名称 Name	规格 Specification	适用产品 Products Applied	备注 Remark
1	5205A-013	1	传动机构总成 Linkage Assembly			
	5205A5-013	1	传动机构总成 Linkage Assembly		窄体系列 Narrow Cab Series	
2	37AD-41010	1	雨刮电机总成 Wiper Motor Assembly			
3	5205A-015	1	左刮刷刮臂总成 Wiper Arm Assembly LH			
4	5205A-035	1	中刮刷刮臂总成 Middle Wiper Arm Assembly			
	5205A5-035	1	中刮刷刮臂总成 Middle Wiper Arm Assembly		窄体系列 Narrow Cab Series	
5	5205A-025	1	右刮刷刮臂总成 Wiper Arm Assembly RH			
6	Q1460820	4	六角头组合螺栓 Hexagon Head Combination Bolt			
7	5205A-045	1	洗涤剂水壶 - 带密封圈 Washer Tank-W/Seal Ring			
	5205A5-045	1	洗涤剂水壶 - 带密封圈 Washer Tank-W/Seal Ring		窄体系列 Narrow Cab Series	
8	Q1460816	3	六角头组合螺栓 Hexagon Head Combination Bolt			
9	5205A-046	1	玻璃水管总成 - 带喷嘴 Water Pipe Assembly-W/Nozzle			
	5205A5-046	1	玻璃水管总成 - 带喷嘴 Water Pipe Assembly-W/Nozzle		窄体系列 Narrow Cab Series	

刮水器、洗涤器 (右驾系列) / WIPER, WASHER (RHD SERIES)

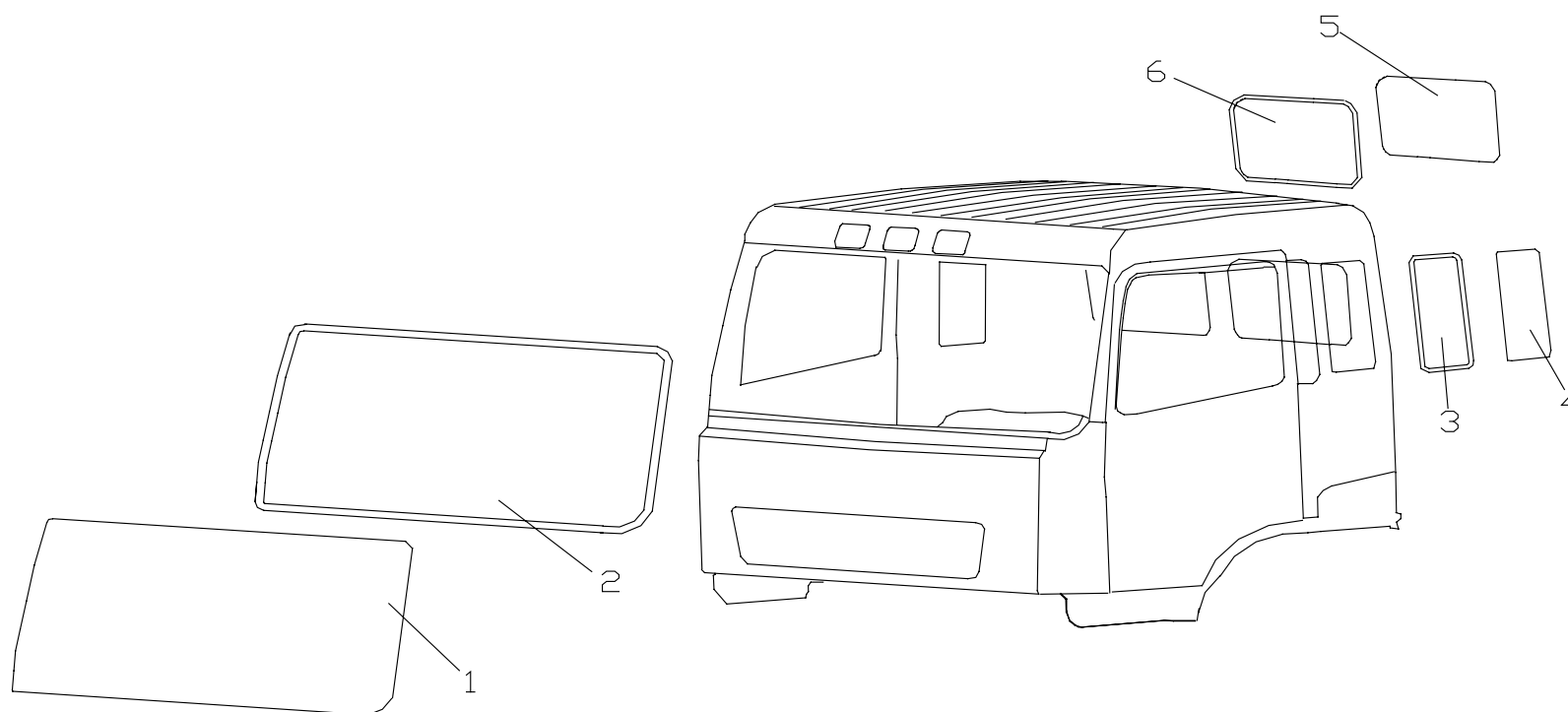
52-B



序号 No.	件号 Part No.	数量 Quantity	名称 Name	规格 Specification	适用产品 Products Applied	备注 Remark
1	5205AY-013	1	传动机构总成 Linkage Assembly		右驾系列 RHD Series	
2	37Y-41010	1	雨刮电机总成 Wiper Motor Assembly		右驾系列 RHD Series	
3	5205AY-015	1	左刮刷刮臂总成 Wiper Arm Assembly LH		右驾系列 RHD Series	
4	5205AY-035	1	中刮刷刮臂总成 Middle Wiper Arm Assembly		右驾系列 RHD Series	
5	5205YA-025	1	右刮刷刮臂总成 Wiper Arm Assembly RH		右驾系列 RHD Series	
6	Q1460820	4	六角头组合螺栓 Hexagon Head Combination Bolt			
7	5205A-045	1	洗涤剂水壶 - 带密封圈 Washer Tank-W/Seal Ring			
8	Q1460816	3	六角头组合螺栓 Hexagon Head Combination Bolt			
9	5205A-046	1	玻璃水管总成 - 带喷嘴 Water Pipe Assembly-W/Nozzle			

驾驶室玻璃 / CAB GLASS

52-C



风窗系统 / WINDSHIELD SYSTEM

52-6

序号 No.	件号 Part No.	数量 Quantity	名称 Name	规格 Specification	适用产品 Products Applied	备注 Remark
1	52A1-06021	1	前风窗玻璃 Front Windshield Glass			
	52A15-06021	1	前风窗玻璃 Front Windshield Glass		窄体系列 Narrow Cab Series	
2	52A1-06022	1	前风窗密封条 Front Windshield Weatherstrip			
	52A15-06022	1	前风窗密封条 Front Windshield Weatherstrip		窄体系列 Narrow Cab Series	
3	54B1-03011	1	左侧窗玻璃 Side Window Glass LH			
	54B1-03012	1	右侧窗玻璃 Side Window Glass RH			
4	54B1-03015	1	左侧窗密封条 Side Window Weatherstrip LH			
	54B1-03016	1	右侧窗密封条 Side Window Weatherstrip RH			
5	56B1-03011	1	后风窗左玻璃 Rear Windshield Glass LH			
	56B1-03012	1	后风窗右玻璃 Rear Windshield Glass RH			
	56B15-03011	1	后风窗左玻璃 Rear Windshield Glass LH		窄体系列 Narrow Cab Series	
	56B15-03012	1	后风窗右玻璃 Rear Windshield Glass RH		窄体系列 Narrow Cab Series	
6	56B1-03016	2	后风窗密封条 Rear Windshield Weatherstrip			
	56B15-03016	2	后风窗密封条 Rear Windshield Weatherstrip		窄体系列 Narrow Cab Series	

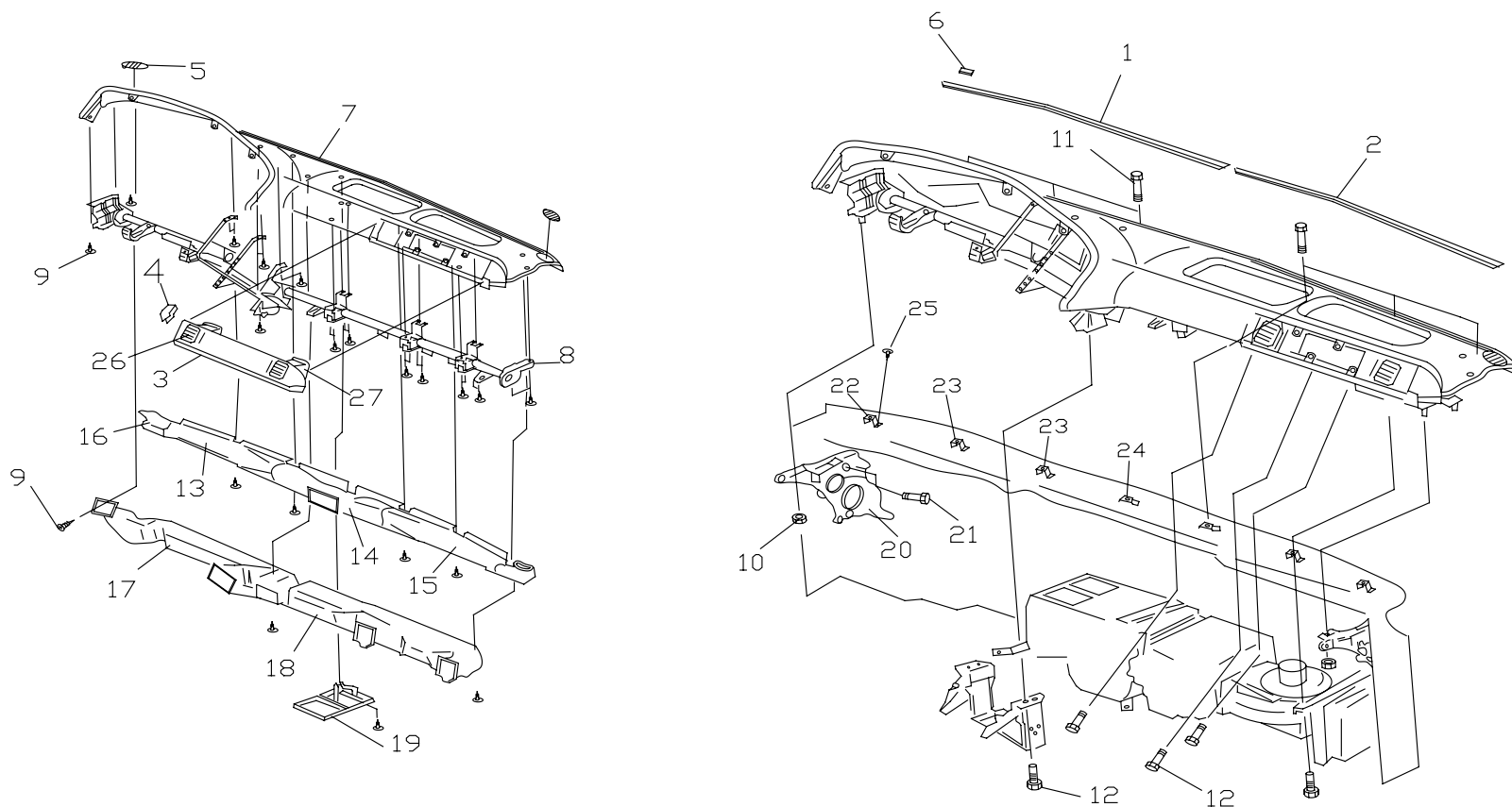
53

前围系统

FRONT-WALL SYSTEM

驾驶室仪表板 / CAB DASHBOARD

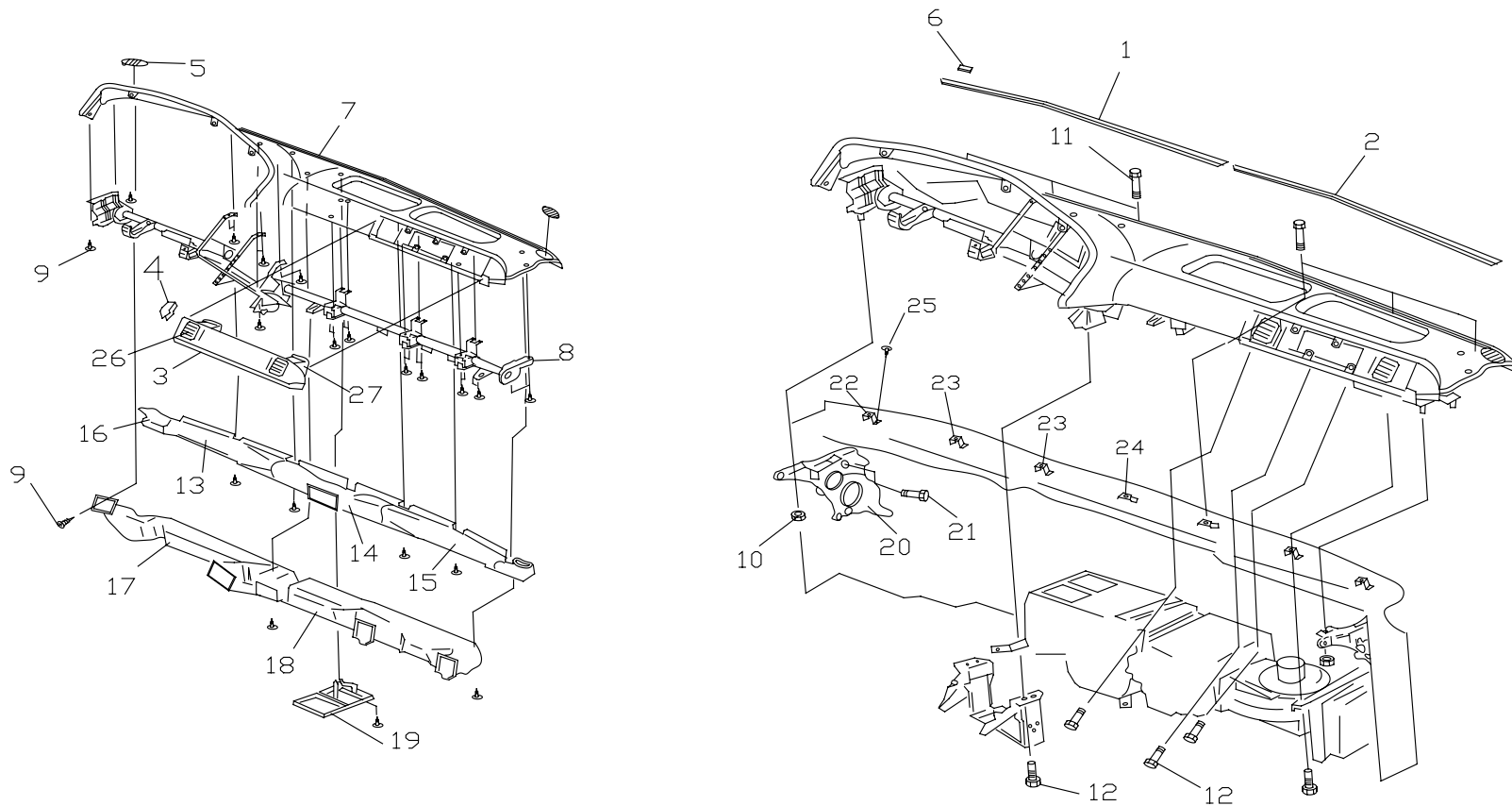
53-A



序号 No.	件号 Part No.	数量 Quantity	名称 Name	规格 Specification	适用产品 Products Applied	备注 Remark
1	53A-05121	1	仪表板左除霜出风口 Dashboard Defroster Vent LH			
	53A5-05121	1	仪表板左除霜出风口 Dashboard Defroster Vent LH		窄体系列 Narrow Cab Series	
2	53A-05122	1	仪表板右除霜出风口 Dashboard Defroster Vent RH			
	53A5-05122	1	仪表板右除霜出风口 Dashboard Defroster Vent RH		窄体系列 Narrow Cab Series	
3	53A-05140	1	右侧通风面板总成 Ventilation Panel Assembly RH			
	53A5-05140	1	右侧通风面板总成 Ventilation Panel Assembly RH		窄体系列 Narrow Cab Series	
4	53A-05147	9	弹簧卡扣 A Spring Buckle A			
5	53A-05131	1	仪表板左前出风口 Dashboard Front Vent LH			
	53A-05132	1	仪表板右前出风口 Dashboard Front Vent RH			
6	53A-05123	1	光感器孔盖 Light Sensor Hole Cover			
7	53A-05110	1	仪表板本体总成 Dashboard Body Assembly			
	53A5-05110	1	仪表板本体总成 Dashboard Body Assembly		窄体系列 Narrow Cab Series	
8	53A-01405	1	仪表板下梁总成 Dashboard Lower Beam Assembly			
	53A5-01405	1	仪表板下梁总成 Dashboard Lower Beam Assembly		窄体系列 Narrow Cab Series	

驾驶室仪表板 / CAB DASHBOARD

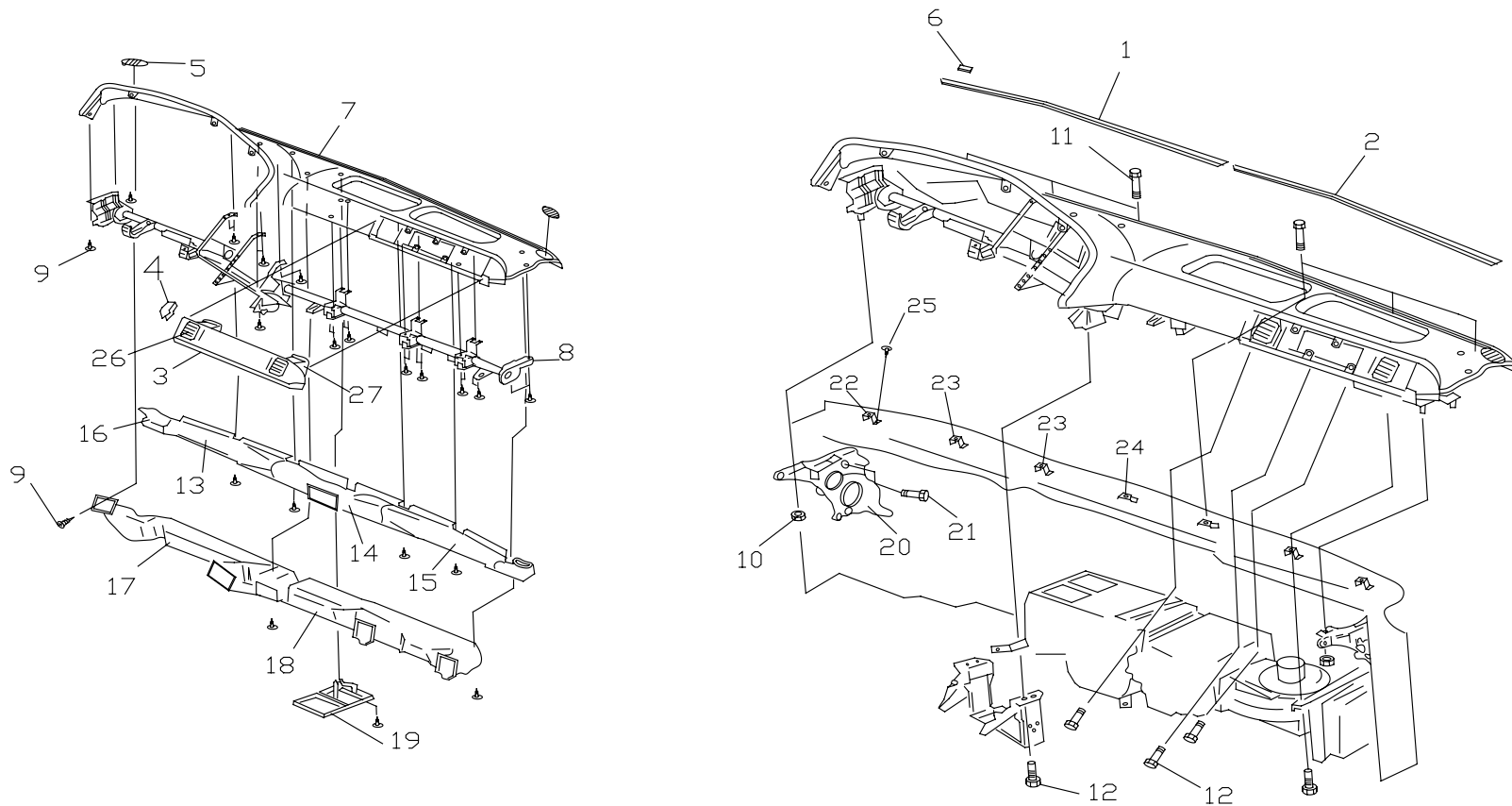
53-A



序号 No.	件号 Part No.	数量 Quantity	名称 Name	规格 Specification	适用产品 Products Applied	备注 Remark
9	Q2734816	31	十字槽大半圆头自攻螺钉 Cross Recessed Cup Head Self-Tapping Screw With Large Head			
10	Q32008	5	六角法兰面螺母 Hexagon Nut With Flange			
11	53A-05108	1	仪表板固定螺栓—风窗下 Dashboard Fixing Bolt-Below Windshield			
12	Q1460816	8	六角头组合螺栓 Hexagon Head Combination Bolt			
13	81A-13013	1	左除霜喷嘴 Defroster Nozzle LH			
	81A-13013	1	左除霜喷嘴 Defroster Nozzle LH		窄体系列 Narrow Cab Series	
14	81A5-13015	1	中除霜喷嘴 Middle Defroster Nozzle			
	81A5-13015	1	中除霜喷嘴 Middle Defroster Nozzle		窄体系列 Narrow Cab Series	
15	81A-13014	1	右除霜喷嘴 Defroster Nozzle RH			
	81A5-13014	1	右除霜喷嘴 Defroster Nozzle RH		窄体系列 Narrow Cab Series	
16	81A-13011	1	左车门除霜喷嘴 Door Defroster Nozzle LH			
	81A-13012	1	右车门除霜喷嘴 Door Defroster Nozzle RH			
17	81A-13021	1	司机脸部送风管 Driver Face Blast Pipe			
18	81A-13022	1	乘客脸部送风管 Passenger Face Blast Pipe			

驾驶室仪表板 / CAB DASHBOARD

53-A



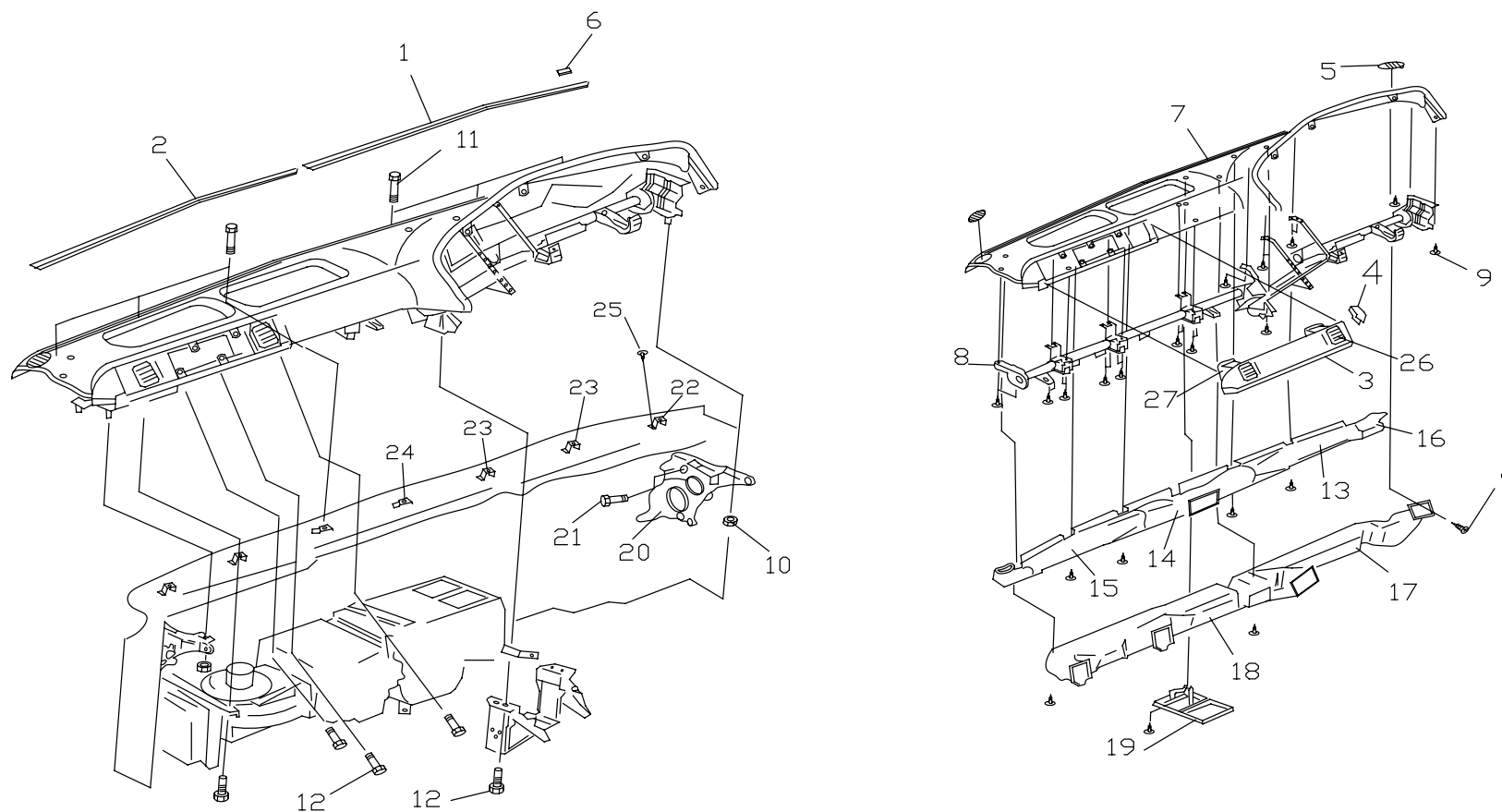
前围系统 / FRONT-WALL SYSTEM

53-6

序号 No.	件号 Part No.	数量 Quantity	名称 Name	规格 Specification	适用产品 Products Applied	备注 Remark
18	81A5-13022	1	乘客脸部送风管 Passenger Face Blast Pipe		窄体系列 Narrow Cab Series	
19	81A-13040	1	暖风输送管连接板总成 Warm Air Supply Pipe Connecting Plate Assembly			
20	53A1-01487	1	仪表板左支架 Dashboard Bracket LH			
	53A1-01488	1	仪表板右支架 Dashboard Bracket RH			
21	Q1460830	8	六角头组合螺栓 Hexagon Head Combination Bolt			
22	53A-01307	2	仪表板支架总成 - I Dashboard Bracket Assembly- I			
23	53A-01311	4	仪表板支架总成 - II Dashboard Bracket Assembly- II			
24	53A-01313	4	仪表板支架总成 - III Dashboard Bracket Assembly- III			
25	Q2733512	14	十字槽大半圆头自攻螺钉 Cross Recessed Cup Head Self-Tapping Screw With Large Head			
26	53A-05143	1	右侧通风面板左出风口总成 Right Ventilation Panel Vent LH Assembly			
27	53A-05144	1	右侧通风面板右出风口总成 Right Ventilation Panel Vent RH Assembly			

右驾驶室仪表板 / CAB DASHBOARD FOR RHD

53-B



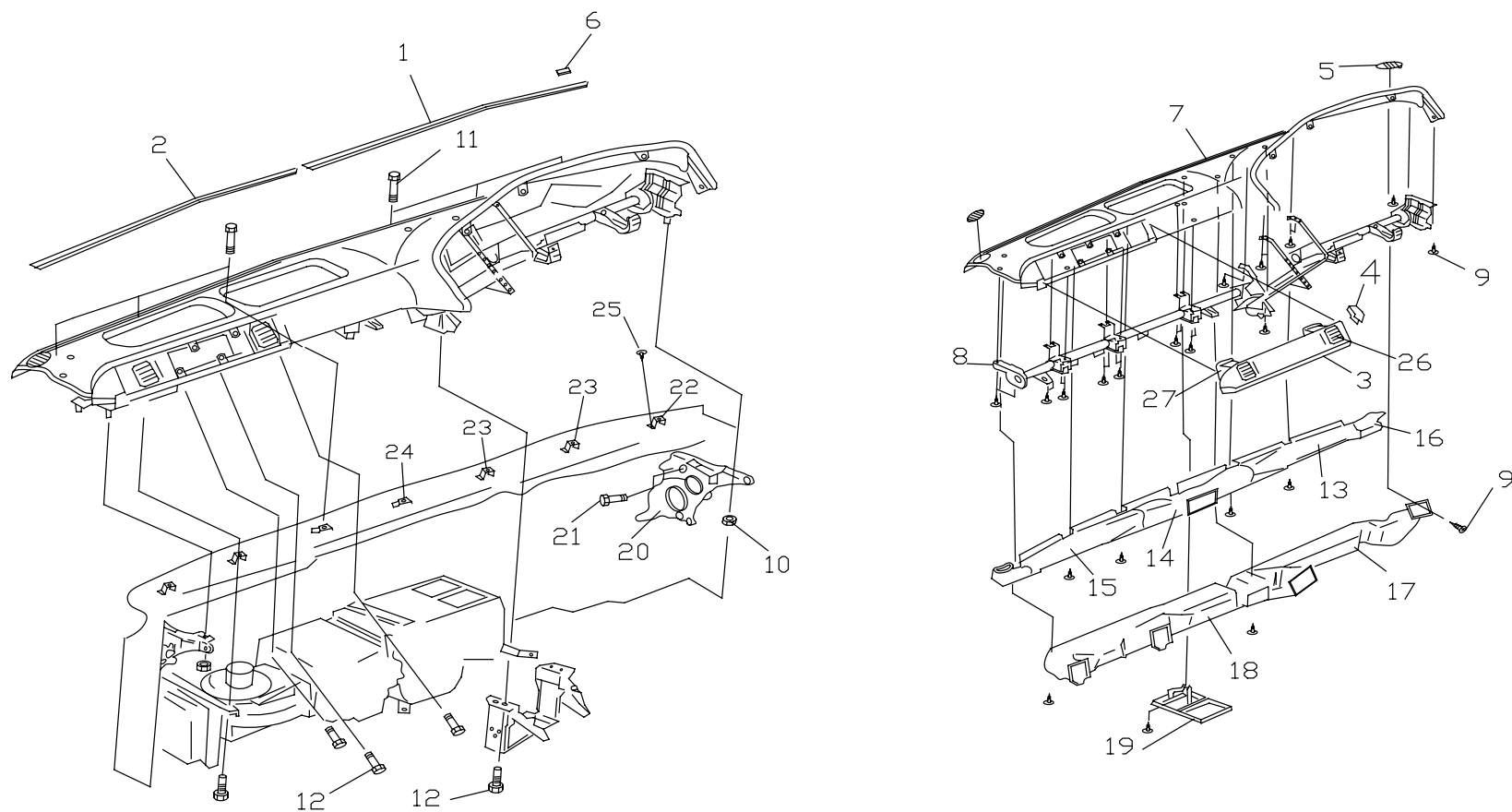
前围系统 / FRONT-WALL SYSTEM

53-8

序号 No.	件号 Part No.	数量 Quantity	名称 Name	规格 Specification	适用产品 Products Applied	备注 Remark
1	53A-05121	1	仪表板左除霜出风口 Dashboard Defroster Vent LH			
2	53A-05122	1	仪表板右除霜出风口 Dashboard Defroster Vent RH		右驾系列 RHD Series	
3	53AY-05140	1	右侧通风面板总成 Ventilation Panel Assembly RH			
4	53A-05147	9	弹簧卡扣 A Spring Buckle A			
5	53A-05131	1	仪表板左前出风口 Dashboard Front Vent LH			
	53A-05132	1	仪表板右前出风口 Dashboard Front Vent RH			
6	53A-05123	1	光感器孔盖 Light Sensor Hole Cover			
7	53AY-05110	1	仪表板本体总成 Dashboard Body Assembly		右驾系列 RHD Series	
8	53AY-01405	1	仪表板下梁总成 Dashboard Lower Beam Assembly		右驾系列 RHD Series	
9	Q2734816	31	十字槽大半圆头自攻螺钉 Cross Recessed Cup Head Self-Tapping Screw With Large Head			
10	Q32008	5	六角法兰面螺母 Hexagon Nut With Flange			
11	53A-05108	1	仪表板固定螺栓 - 风窗下 Dashboard Fixing Bolt-Below Windshield			
12	Q1460816	8	六角头组合螺栓 Hexagon Head Combination Bolt			
13	81A-13013	1	左除霜喷嘴 Defroster Nozzle LH			

右驾驶室仪表板 / CAB DASHBOARD FOR RHD

53-B



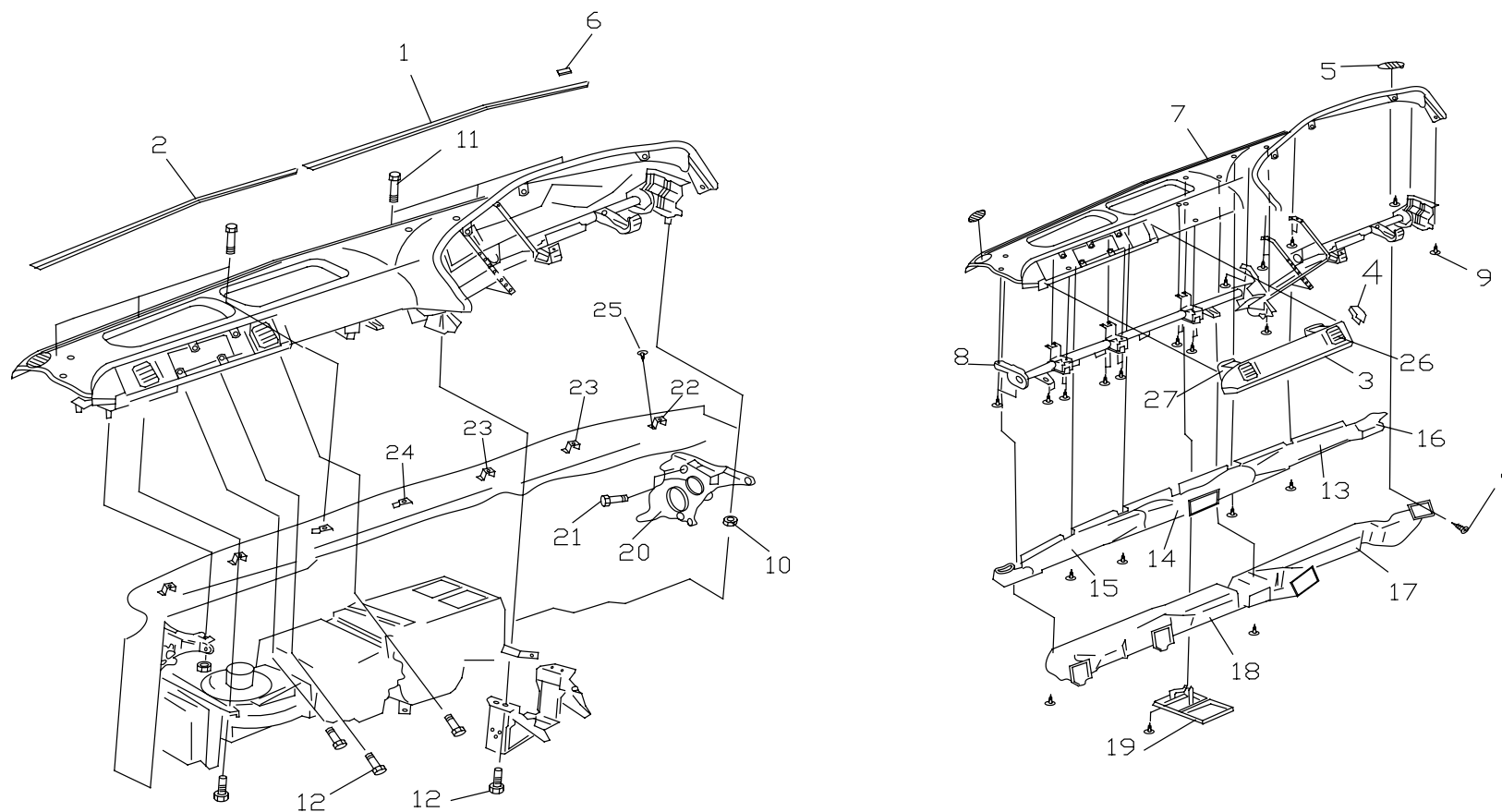
前围系统 / FRONT-WALL SYSTEM

53-10

序号 No.	件号 Part No.	数量 Quantity	名称 Name	规格 Specification	适用产品 Products Applied	备注 Remark
14	81A-13015	1	中除霜喷嘴 Middle Defroster Nozzle			
15	81A-13014	1	右除霜喷嘴 Defroster Nozzle RH			
16	81A-13011	1	左车门除霜喷嘴 Door Defroster Nozzle LH			
	81A-13012	1	右车门除霜喷嘴 Door Defroster Nozzle RH			
17	81AY-13021	1	司机脸部送风管 Driver Face Blast Pipe		右驾系列 RHD Series	
18	81AY-13022	1	乘客脸部送风管 Passenger Face Blast Pipe		右驾系列 RHD Series	
19	81A-13040	1	暖风输送管连接板总成 Warm Air Supply Pipe Connecting Plate Assembly			
20	53A1-01487	1	仪表板左支架 Dashboard Bracket LH			
	53A1-01488	1	仪表板右支架 Dashboard Bracket RH			
21	Q1460830	8	六角头组合螺栓 Hexagon Head Combination Bolt			
22	53A-01307	2	仪表板支架总成 - I Dashboard Bracket Assembly- I			
23	53A-01311	4	仪表板支架总成 - II Dashboard Bracket Assembly- II			
24	53A-01313	4	仪表板支架总成 - III Dashboard Bracket Assembly- III			
25	Q2733512	14	十字槽大半圆头自攻螺钉 Cross Recessed Cup Head Self-Tapping Screw With Large Head			

右驾驶室仪表板 / CAB DASHBOARD FOR RHD

53-B



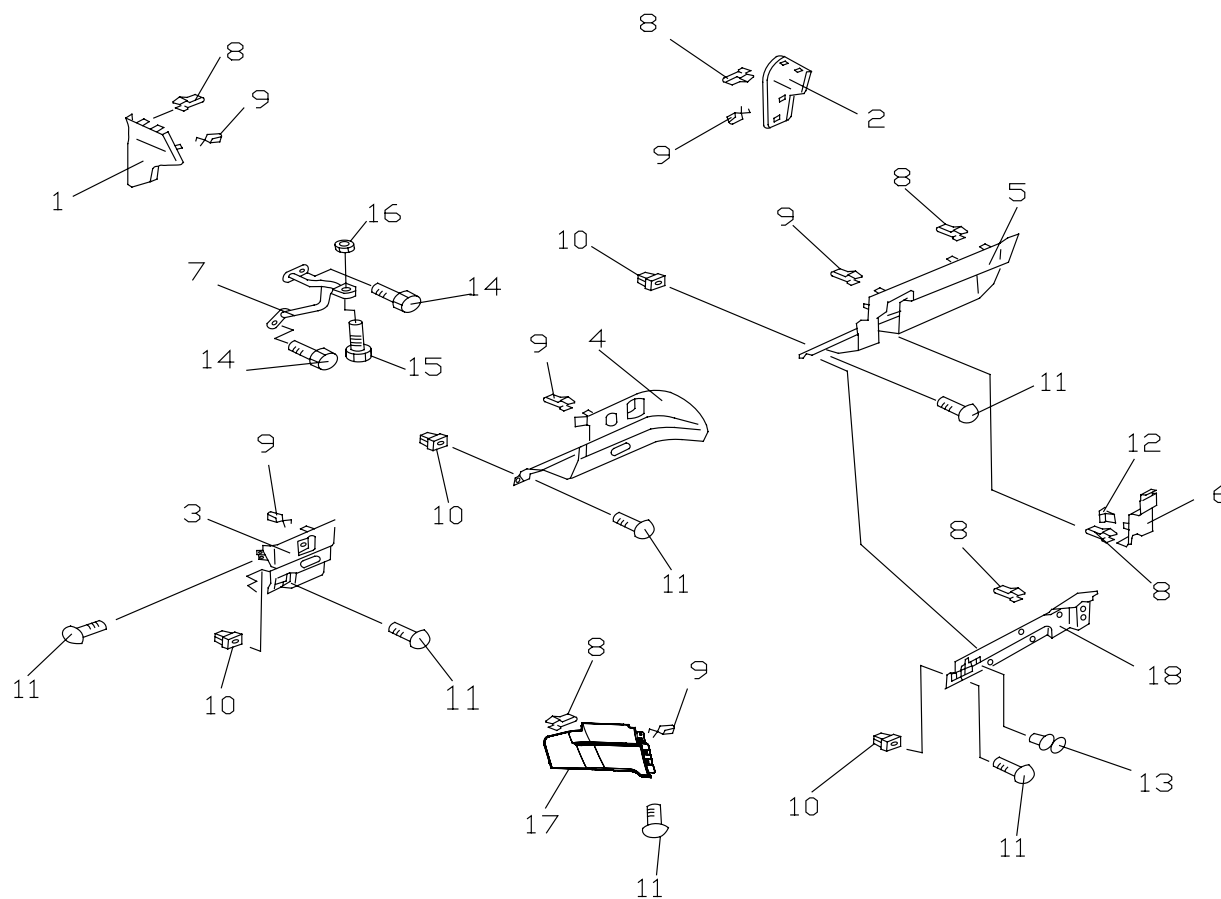
前围系统 / FRONT-WALL SYSTEM

53-12

序号 No.	件号 Part No.	数量 Quantity	名称 Name	规格 Specification	适用产品 Products Applied	备注 Remark
26	53A-05143	1	右侧通风面板左出风口总成 Right Ventilation Panel Vent LH Assembly			
27	53A-05144	1	右侧通风面板右出风口总成 Right Ventilation Panel Vent RH Assembly			

驾驶室前内护板 / CAB FRONT INNER SHIELD

53-C



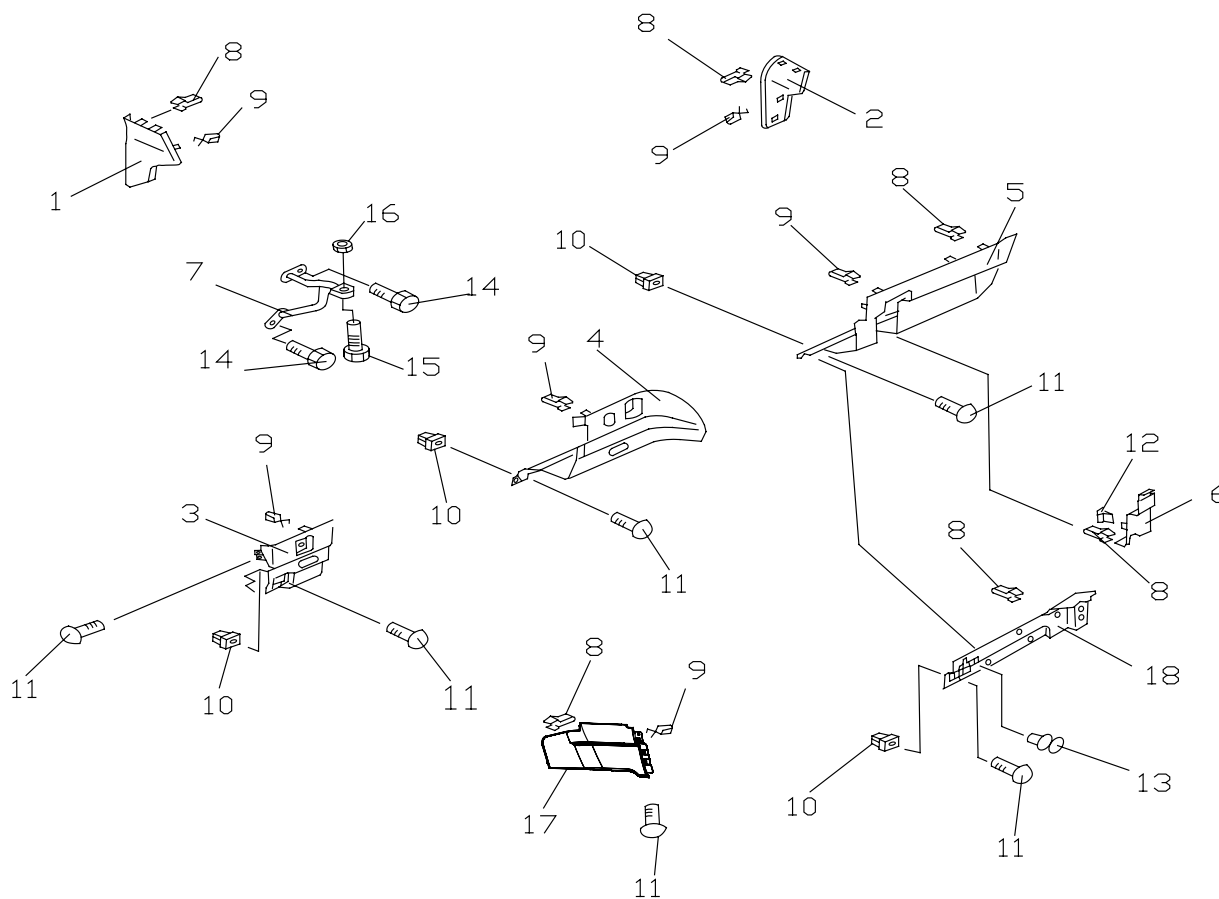
前围系统 / FRONT-WALL SYSTEM

53-14

序号 No.	件号 Part No.	数量 Quantity	名称 Name	规格 Specification	适用产品 Products Applied	备注 Remark
1	53A-05145	1	左侧护盖 Protecting Cover LH			
2	53A-05146	1	右侧护盖 Protecting Cover LH			
3	53A-05165	1	转向柱左下护板 Column Lower Shield LH			
4	53A-05158	1	中护板 Middle Shield			
5	53A-05150	1	右护板 Shield RH			
6	53A-05151	1	右护板饰盖 Shield Protecting Cover LH			
7	53A1-01490	1	仪表板中支架总成 Dashboard Middle Bracket Assembly			
8	53A-05147	16	弹簧卡扣 A Spring Buckle A			
9	53A-05148	10	弹簧卡扣 B Spring Buckle B			
10	53A-01347	11	方型塑料螺母 D Square Plastic Nut D			
11	Q2734816	11	十字槽大半圆头自攻螺钉 Cross Recessed Cup Head Self-Tapping Screw With Large Head			
12	53A-03023	2	弹簧卡扣 D Spring Buckle D			
13	82B-07044	3	圆型塑料螺母 A Round Plastic Nut A			
14	Q1460816	2	六角头组合螺栓 Hexagon Head Combination Bolt			

驾驶室前内护板 / CAB FRONT INNER SHIELD

53-C



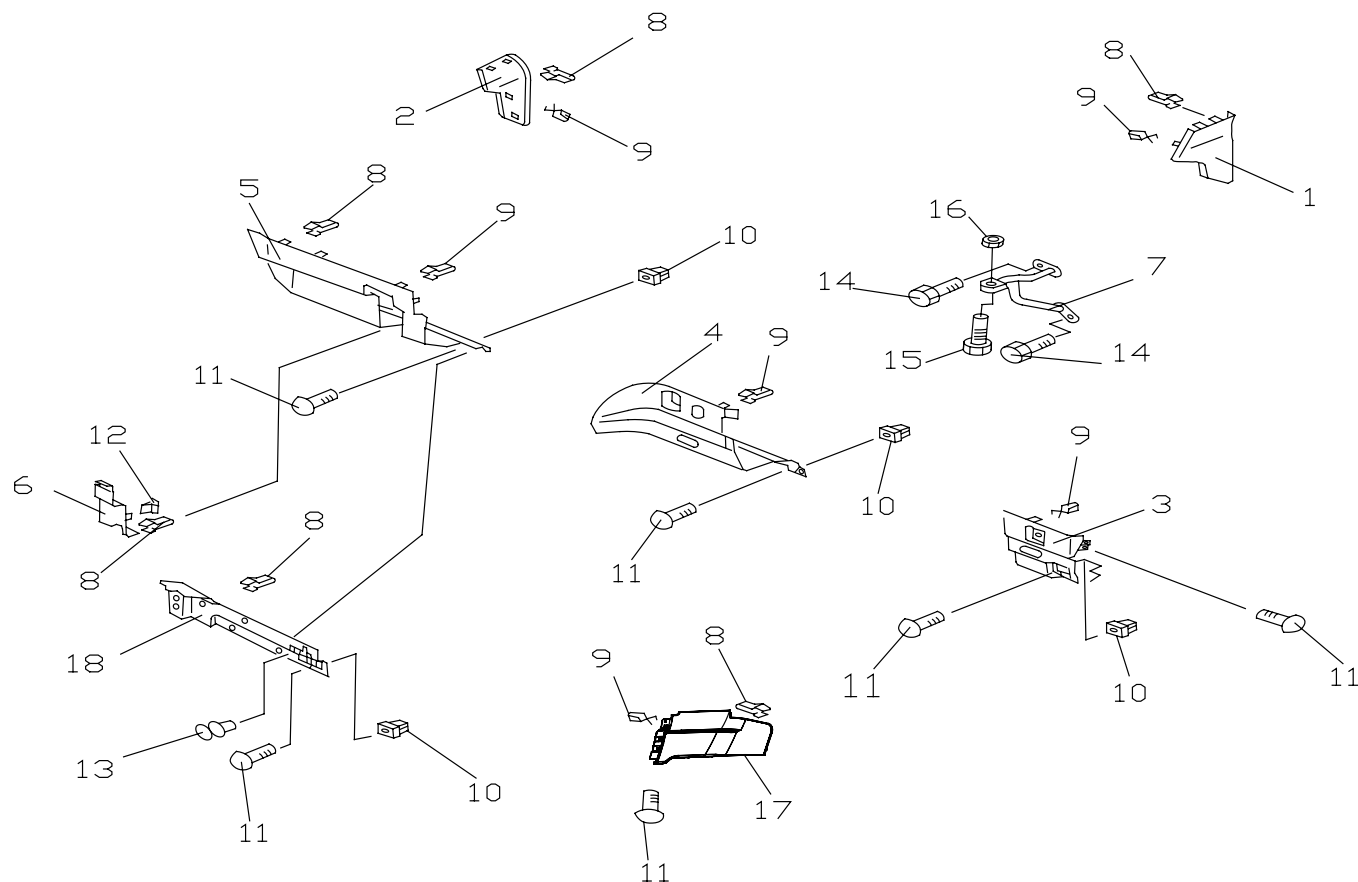
前围系统 / FRONT-WALL SYSTEM

53-16

序号 No.	件号 Part No.	数量 Quantity	名称 Name	规格 Specification	适用产品 Products Applied	备注 Remark
15	Q1460835	1	六角头组合螺栓 Hexagon Head Combination Bolt			
16	Q32008	1	六角法兰面螺母 Hexagon Nut With Flange			
17	53A-05162	1	后置物盒右侧护板 Rear Storage Box Side Shield RH			
18	53A-05155	1	右下护板 Lower Shield RH			

右驾驾驶室前内护板 / CAB FRONT INNER SHIELD FOR RHD

53-D



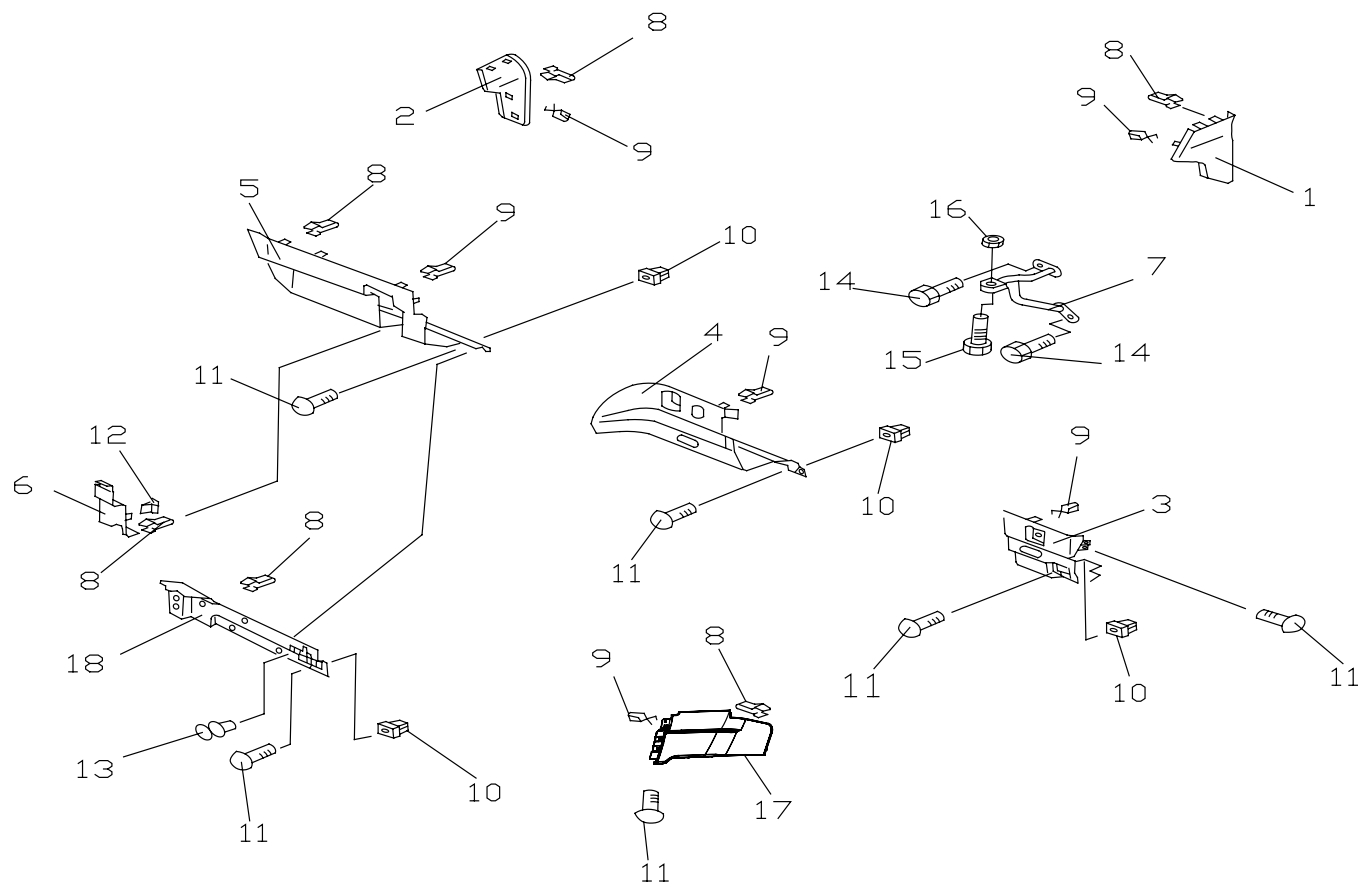
前围系统 / FRONT-WALL SYSTEM

53-18

序号 No.	件号 Part No.	数量 Quantity	名称 Name	规格 Specification	适用产品 Products Applied	备注 Remark
1	53AY-05145	1	左侧护盖 Protecting Cover LH		右驾系列 RHD Series	
2	53AY-05146	1	右侧护盖 Protecting Cover LH		右驾系列 RHD Series	
3	53AY-05165	1	转向柱左下护板 Column Lower Shield LH		右驾系列 RHD Series	
4	53AY-05158	1	中护板 Middle Shield		右驾系列 RHD Series	
5	53AY-05150	1	右护板 Shield RH		右驾系列 RHD Series	
6	53A-05151	1	右护板饰盖 Shield Protecting Cover LH			
7	53A1Y-01490	1	仪表板中支架总成 Dashboard Middle Bracket Assembly		右驾系列 RHD Series	
8	53A-05147	16	弹簧卡扣 A Spring Buckle A			
9	53A-05148	10	弹簧卡扣 B Spring Buckle B			
10	53A-01347	11	方型塑料螺母 D Square Plastic Nut D			
11	Q2734816	11	十字槽大半圆头自攻螺钉 Cross Recessed Cup Head Self-Tapping Screw With Large Head			
12	53A-03023	2	弹簧卡扣 D Spring Buckle D			
13	82B-07044	3	圆型塑料螺母 A Round Plastic Nut A			
14	Q1460816	2	六角头组合螺栓 Hexagon Head Combination Bolt			

右驾驾驶室前内护板 / CAB FRONT INNER SHIELD FOR RHD

53-D



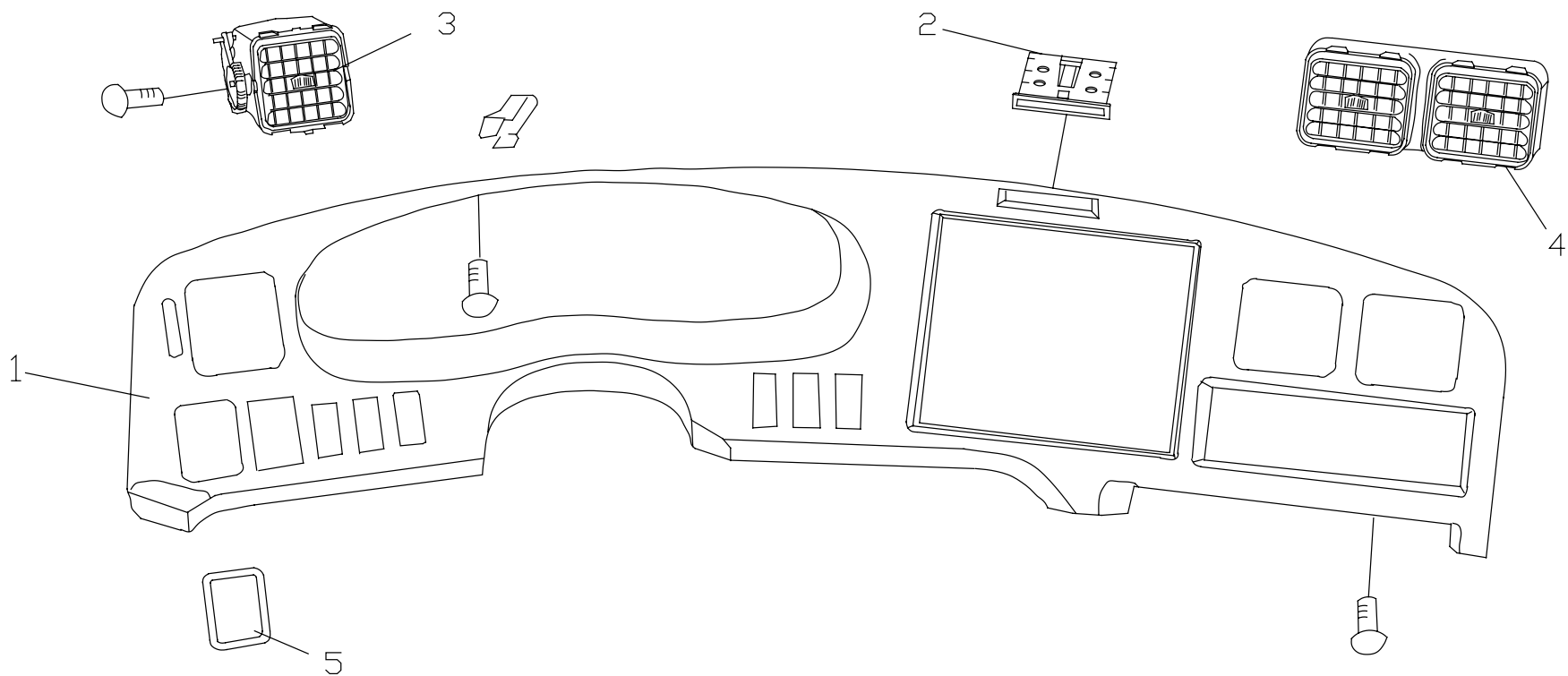
前围系统 / FRONT-WALL SYSTEM

53-20

序号 No.	件号 Part No.	数量 Quantity	名称 Name	规格 Specification	适用产品 Products Applied	备注 Remark
15	Q1460835	1	六角头组合螺栓 Hexagon Head Combination Bolt			
16	Q32008	1	六角法兰面螺母 Hexagon Nut With Flange			
17	53AY-05162	1	后置物盒右侧护板 Rear Storage Box Side Shield RH		右驾系列 RHD Series	
18	53AY-05155	1	右下护板 Lower Shield RH		右驾系列 RHD Series	

仪表罩 / INSTRUMENT SHROUD

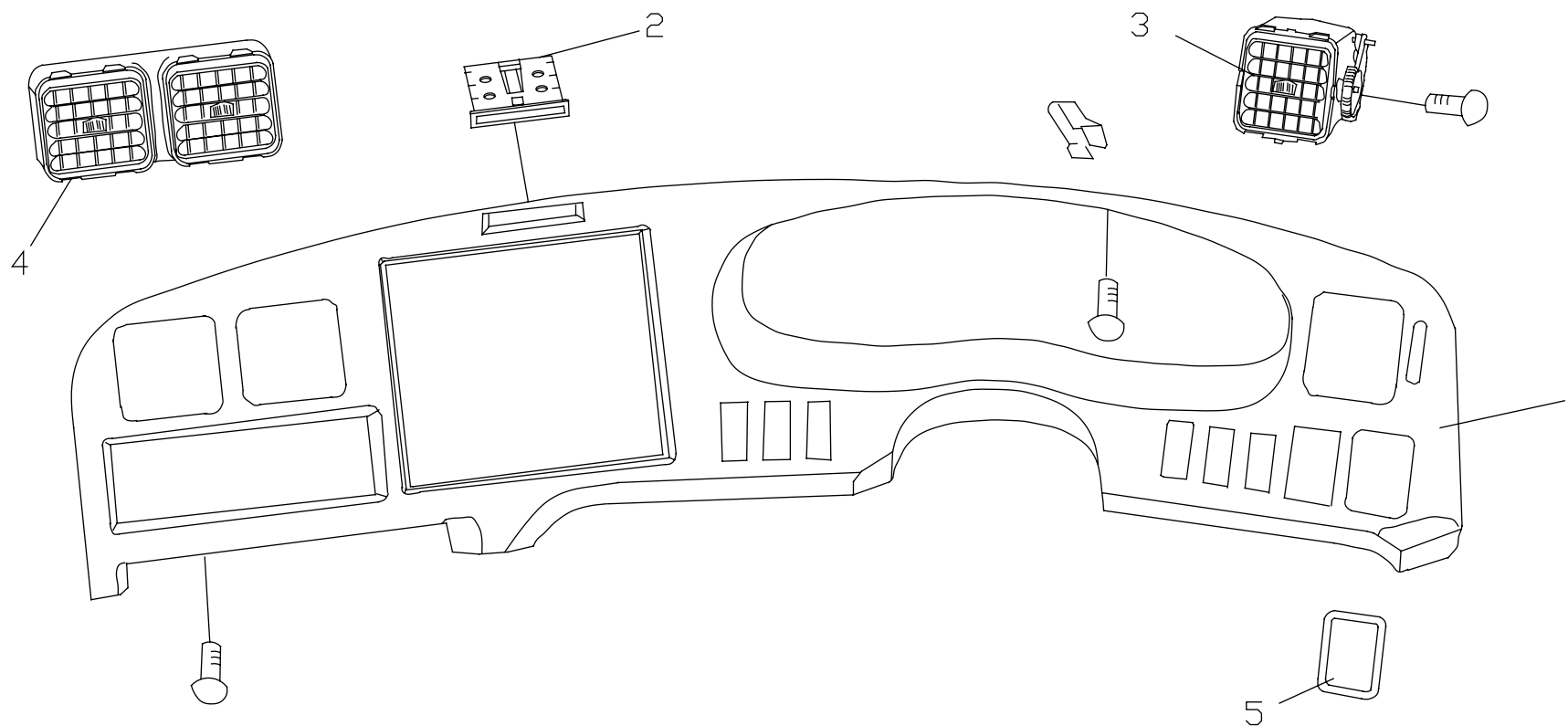
53-E



序号 No.	件号 Part No.	数量 Quantity	名称 Name	规格 Specification	适用产品 Products Applied	备注 Remark
1	53A-05170	1	仪表罩本体总成 Instrument Shroud Body Assembly			
	53A5-05170	1	仪表罩本体总成 Instrument Shroud Body Assembly		窄体系列 Narrow Cab Series	
	53A-05147	5	弹簧卡扣 A Spring Buckle A			
	53A-05148	2	弹簧卡扣 B Spring Buckle B			
	Q2734812	2	十字槽大半圆头自攻螺钉 Cross Recessed Cup Head Self-Tapping Screw With Large Head			黑色 Black
	Q2734816	2	十字槽大半圆头自攻螺钉 Cross Recessed Cup Head Self-Tapping Screw With Large Head			黑色 Black
	53A-01323	2	方型塑料螺母 C Square Plastic Nut C			
2	53A-05179	1	磁卡盒 Magnetic Card Box			
3	53A-05175	1	仪表罩左出风口总成 Instrument Coul Vent Assembly LH			
	53A-05153	1	小弹片一出风口 Small Plate-Vent			
	Q2742913	1	十字槽沉头自攻螺钉 Cross Recessed Countersunk Self-Tapping Screw			
	Q40104	1	平垫圈 Plate Washer			
4	53A-05176	1	仪表罩右出风口总成 Instrument Shroud Vent Assembly RH			
5	53A-05178	1	大堵盖 Big Block Cover		非斯太尔桥专用 Not Only For STEYR Axle	

右驾仪表罩 / INSTRUMENT SHROUD FOR RHD

53-F



前围系统 / FRONT-WALL SYSTEM

53-24

序号 No.	件号 Part No.	数量 Quantity	名称 Name	规格 Specification	适用产品 Products Applied	备注 Remark
1	53AY-05170	1	仪表罩本体总成 Instrument Shroud Body Assembly		右驾系列 RHD Series	
	53A-05147	5	弹簧卡扣 A Spring Buckle A			
	53A-05148	2	弹簧卡扣 B Spring Buckle B			
	Q2734812	2	十字槽大半圆头自攻螺钉 Cross Recessed Cup Head Self-Tapping Screw With Large Head			黑色 Black
	Q2734816	2	十字槽大半圆头自攻螺钉 Cross Recessed Cup Head Self-Tapping Screw With Large Head			黑色 Black
	53A-01323	2	方型塑料螺母 C Square Plastic Nut C			
2	53A-05179	1	磁卡盒 Magnetic Card Box			
3	53A-05175	1	仪表罩左出风口总成 Instrument Shroud Vent Assembly LH			
	53A-05153	1	小弹片 - 出风口 Small Plate-Vent			
	Q2742913	1	十字槽沉头自攻螺钉 Cross Recessed Countersunk Self-Tapping Screw			
	Q40104	1	平垫圈 Plate Washer			
4	53A-05176	1	仪表罩右出风口总成 Instrument Shroud Vent Assembly RH			
5	53A-05178	1	大堵盖 Big Block Cover		非斯太尔桥专用 Not Only For STEYR Axle	

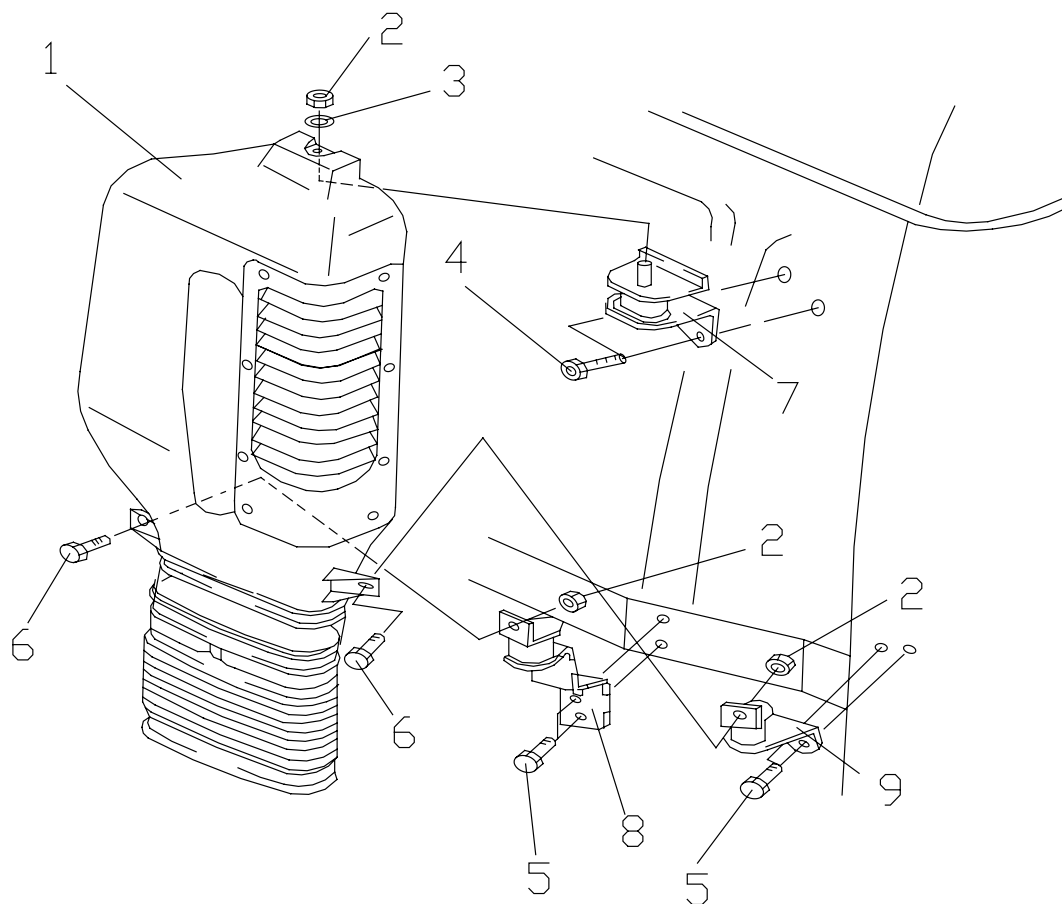
56

后围系统

***REAR QUARTER
SYSTEM***

后围进气道总成 / REAR QUARTER INTAKE DUCT ASSEMBLY

56-A



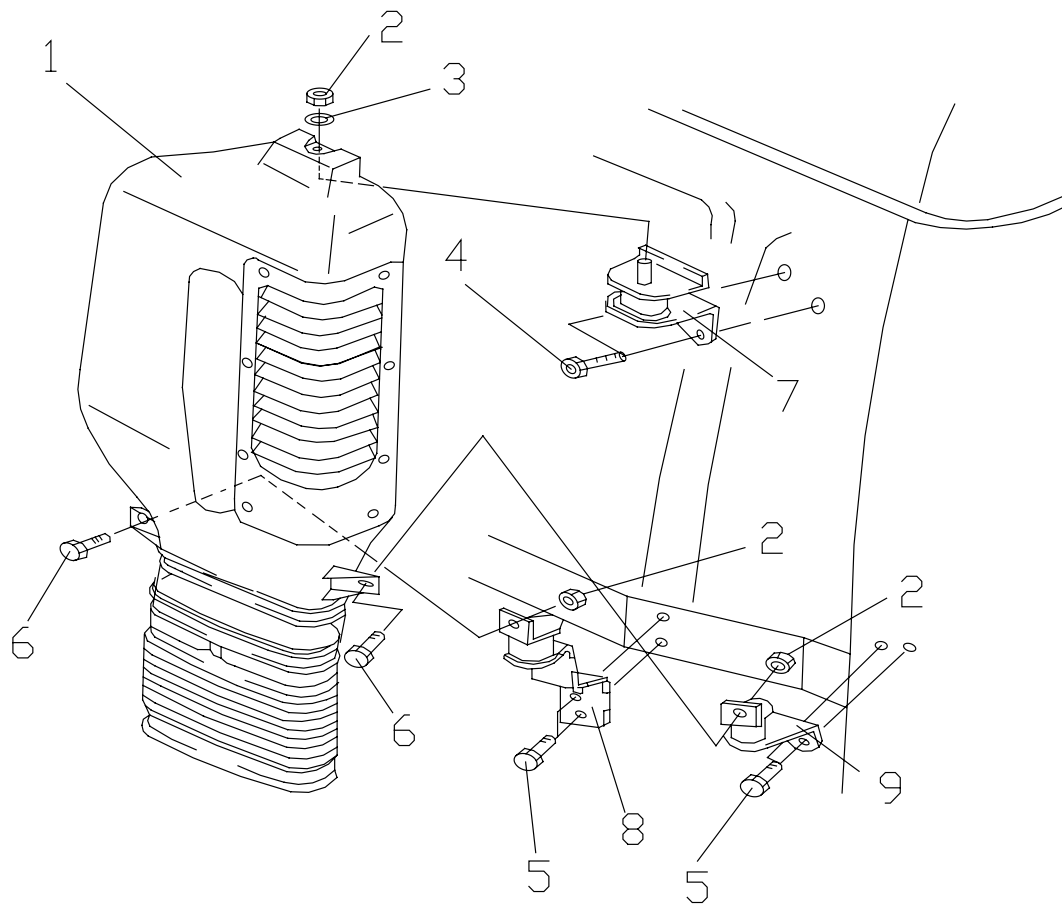
后围系统 / REAR QUARTER SYSTEM

56-2

序号 No.	件号 Part No.	数量 Quantity	名称 Name	规格 Specification	适用产品 Products Applied	备注 Remark
1	56A3D-04010	1	空滤进气道总成 Air Filter Intake Duct Assembly			
2	Q340B08	3	I型六角螺母 Hexagon Full Nut			
3	Q40110	1	平垫圈 Plate Washer			
4	Q1460820	2	六角头组合螺栓 Hexagon Head Combination Bolt			
5	Q1460816	4	六角头组合螺栓 Hexagon Head Combination Bolt			
6	Q1460825	2	六角头组合螺栓 Hexagon Head Combination Bolt	大平垫 Big Plate Washer		
7	56A-04013	1	上缓冲支座 - 空滤进气道 Upper Cushion Seat-Air Filter Intake Duct			
	56E-04013	1	上缓冲支座 - 空滤进气道 Upper Cushion Seat-Air Filter Intake Duct		欧款系列 Europe Series	
	56A5-04013	1	上缓冲支座 - 空滤进气道 Upper Cushion Seat-Air Filter Intake Duct		窄体系列 Narrow Cab Series	
8	56A-04014	1	下缓冲支座 - 空滤进气道 Lower Cushion Seat-Air Filter Intake Duct			
	56E-04014	1	下缓冲支座 - 空滤进气道 Lower Cushion Seat-Air Filter Intake Duct		欧款系列 Europe Series	
	56A5-04014	1	下缓冲支座 - 空滤进气道 Lower Cushion Seat-Air Filter Intake Duct		窄体系列 Narrow Cab Series	
9	56A-04015	1	右侧下支架 - 空滤进气道 Lower Bracket RH-Air Filter Intake Duct			
	56E-04015	1	右侧下支架 - 空滤进气道 Lower Bracket RH-Air Filter Intake Duct		欧款系列 Europe Series	

后围进气道总成 / REAR QUARTER INTAKE DUCT ASSEMBLY

56-A



后围系统 / REAR QUARTER SYSTEM

56-4

序号 No.	件号 Part No.	数量 Quantity	名称 Name	规格 Specification	适用产品 Products Applied	备注 Remark
9	56A5-04015	1	右侧下支架 - 空滤进气道 Lower Bracket RH-Air Filter Intake Duct		窄体系列 Narrow Cab Series	

57

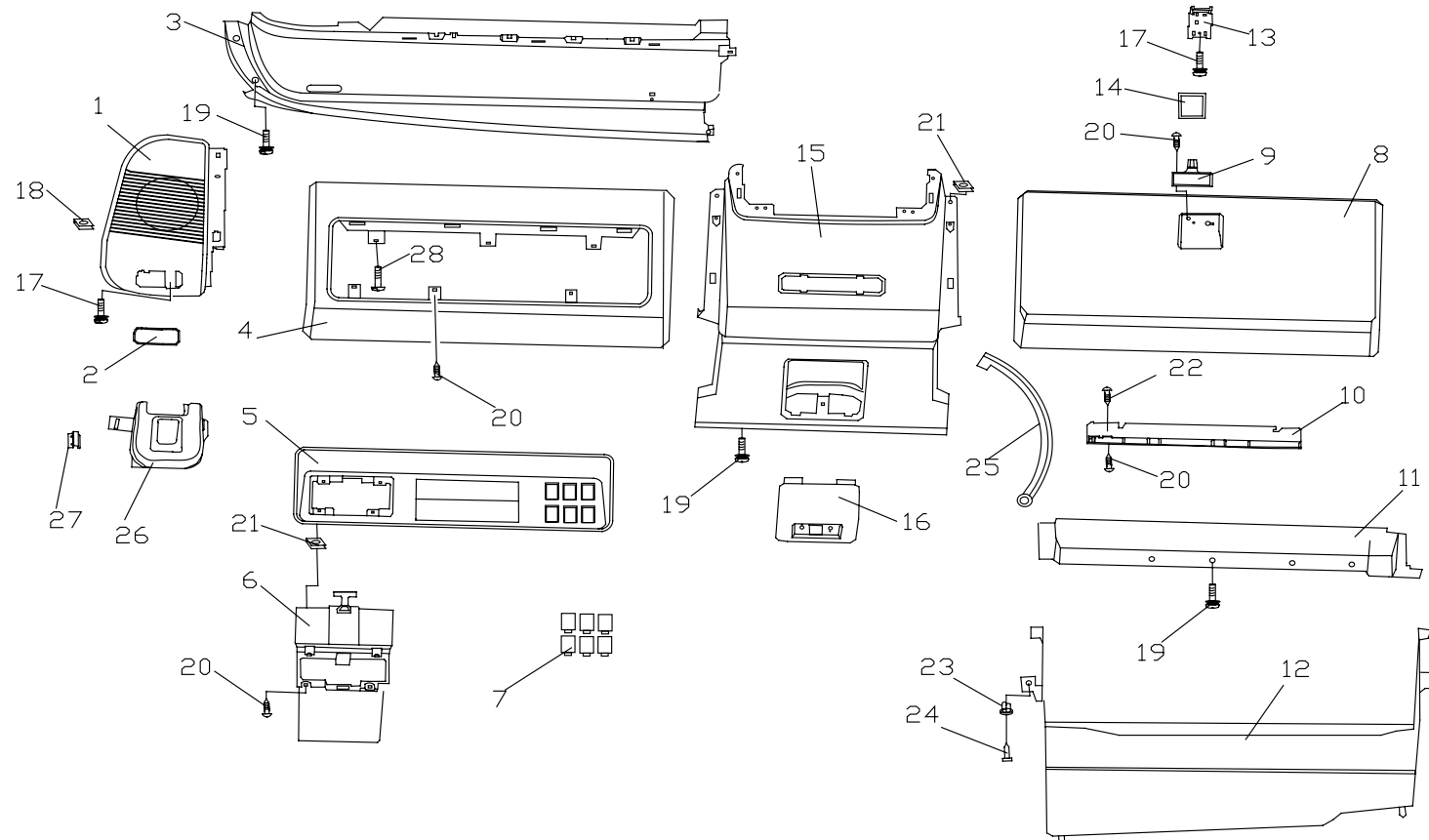
侧围、顶盖系统

QUARTER,

ROOF SYSTEM

驾驶室前顶部件 / CAB FRONT ROOF SET

57-A



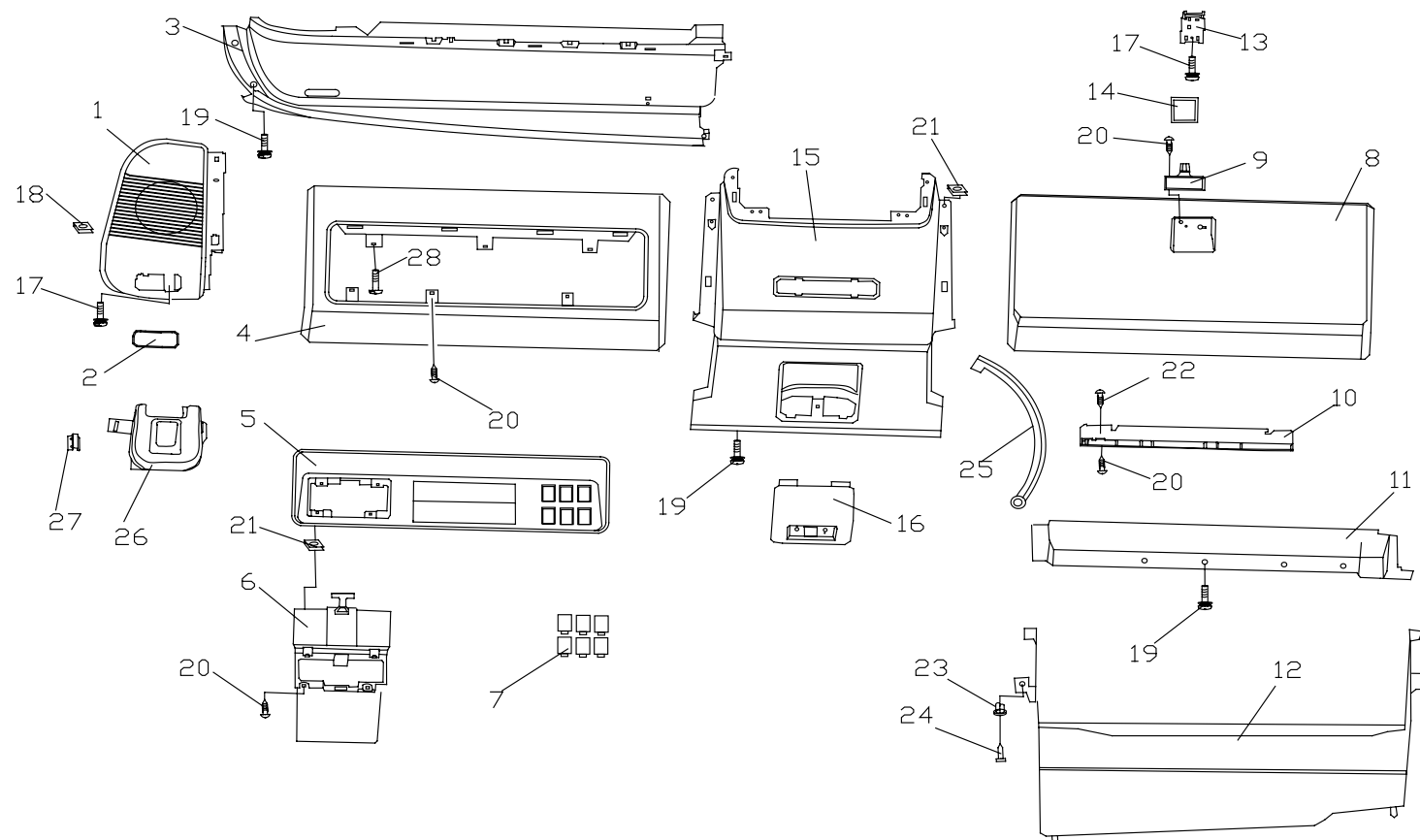
侧围、顶盖系统 /QUARTER,ROOF SYSTEM

57-2

序号 No.	件号 Part No.	数量 Quantity	名称 Name	规格 Specification	适用产品 Products Applied	备注 Remark
1	57B1-02017	1	左上喇叭盖 Upper Horn Cover LH			
	57B1-02018	1	右上喇叭盖 Upper Horn Cover RH			
2	57B-02025	1	堵盖 Pulley Cover			
3	57B1-02037	1	顶盖左内饰板 Roof Inner Trim Board LH			
	57B1-02038	1	顶盖右内饰板 Roof Inner Trim Board RH			
4	57B1-02051	1	驾驶上方控制仪表座 Upper Control Instrument Seat			
5	57B1-02056	1	驾驶上方控制仪表板 Upper Control Instrument Panel			
6	57B1-02065	1	左上置物箱总成 Upper Storage Box Assembly LH			
7	57B-02061	6	堵盖 Pulley Cover			
8	57B1-02068	1	右上置物箱盖板 Upper Storage Box Plate RH			
9	57B1-02069	1	锁钩总成 Locking Hook Assembly			
10	57B1-02071	1	右上置物盒盖连接板 Upper Storage Box Cover Connecting Panel RH			
11	57B1-02072	1	右上置物盒防滑挡板 Upper Storage Box Skid Proof Baffle RH			
12	57B1-02075	1	右上置物盒底板 Upper Storage Box Bottom Plate RH			

驾驶室前顶部件 / CAB FRONT ROOF SET

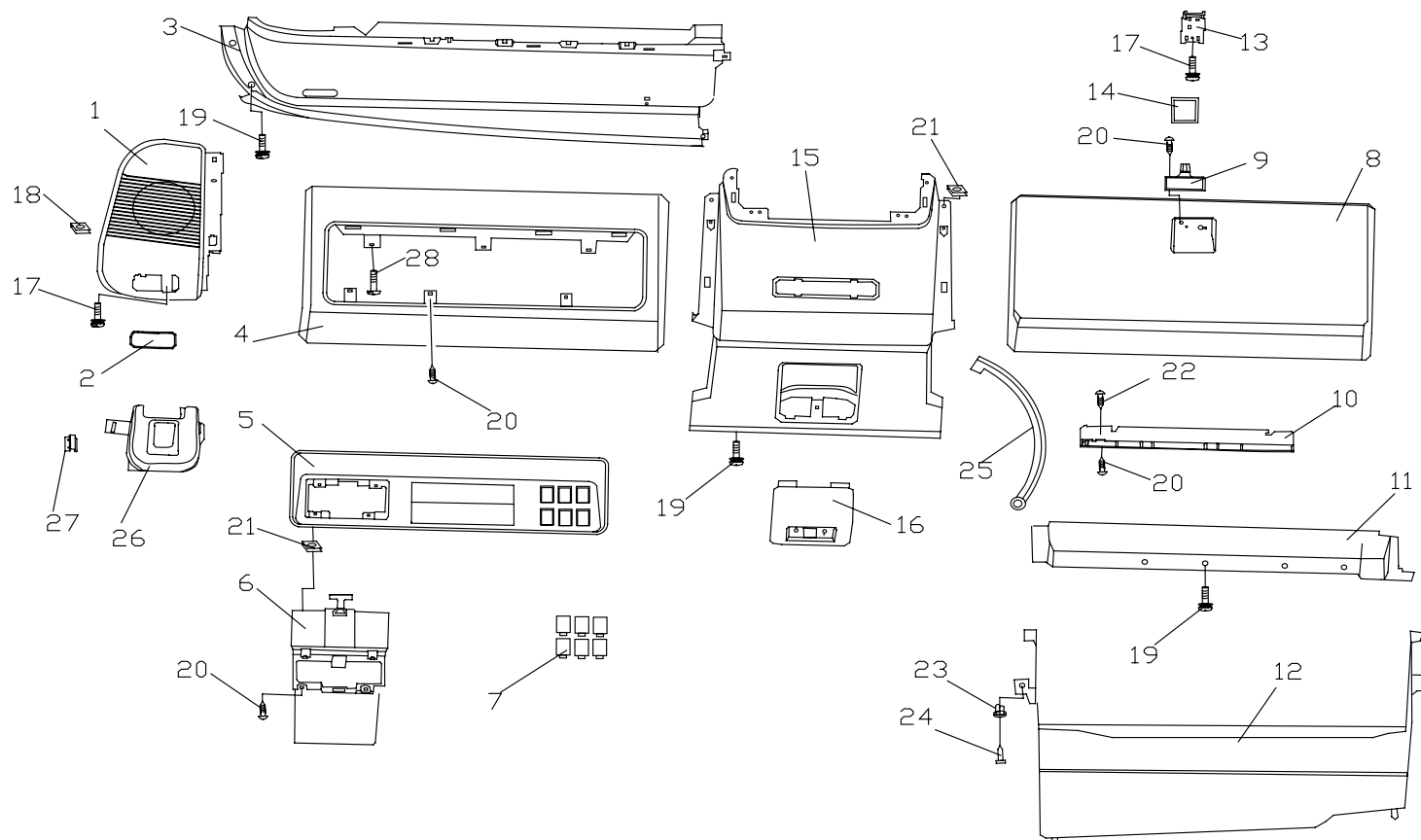
57-A



序号 No.	件号 Part No.	数量 Quantity	名称 Name	规格 Specification	适用产品 Products Applied	备注 Remark
13	57B1-02078	1	右上置物盒锁舌 Upper Storage Box Latch RH			
14	57B1-02079	1	锁舌盖板 Latch Cover Plate			
15	57B1-02086	1	顶盖中内饰板 Roof Center Inner Trim Board			
16	57B1-02095	1	顶盖中内饰板护盖 Roof Center Inner Trim Board Cover			
17	Q2360616	3	十字槽组合螺钉 Cross Recessed Combination Screw			
18	53A-05148	4	弹簧卡扣 B Spring Buckle B			
19	Q2360625	16	十字槽组合螺钉 Cross Recessed Combination Screw			
20	Q2734816	13	十字槽大半圆头自攻螺钉 Cross Recessed Cup Head Self-Tapping Screw With Large Head			
21	51A-03042	12	小弹片螺母 Small Spring Nut			
22	Q2713516	4	十字槽盘头自攻螺钉 Cross Recessed Pan Head Self-Tapping Screw			
23	82B-07061	2	圆型塑料螺母 C Round Plastic Nut C			
24	82B-07062	2	塑料螺钉 C Plastic Screw C			
25	57B1-02076	2	弯臂铰链 Bend Hinge			
26	57B1-02021	1	阅读灯护罩 Map Lamp Protector			仅用于右件 Only for Set RH

驾驶室前顶部件 / CAB FRONT ROOF SET

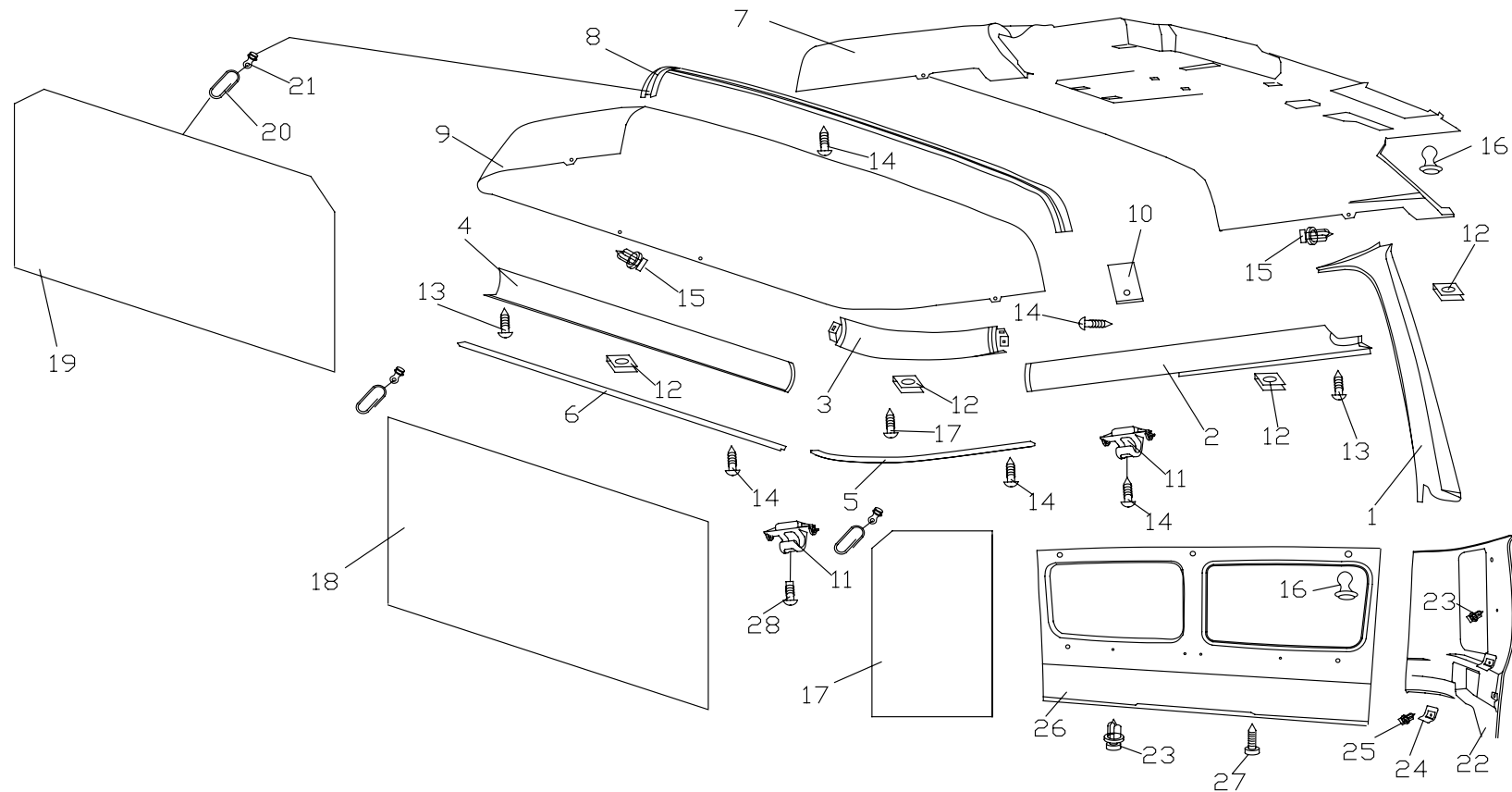
57-A



序号 No.	件号 Part No.	数量 Quantity	名称 Name	规格 Specification	适用产品 Products Applied	备注 Remark
27	57B-02023	1	弹簧卡扣 Spring Buckle			仅用于右件 Only For Set RH
28	Q2140616	3	十字槽螺钉 Cross Recessed Screw			
	57ADQ-03010	1	顶盖导流罩总成 Roof Deflector Cover Assembly		低顶驾驶室牵引车专用 Only For Low Roof Cab Tractor	
	57ADQ-03071	1	密封条 Weather Strip			
	57ADQ-03081	4	橡胶垫 Rubber Cushion			
	Q1461022	8	六角头组合螺栓 Hexagon Head Combination Bolt			

顶盖内顶部件 / CAB INNER ROOF SET

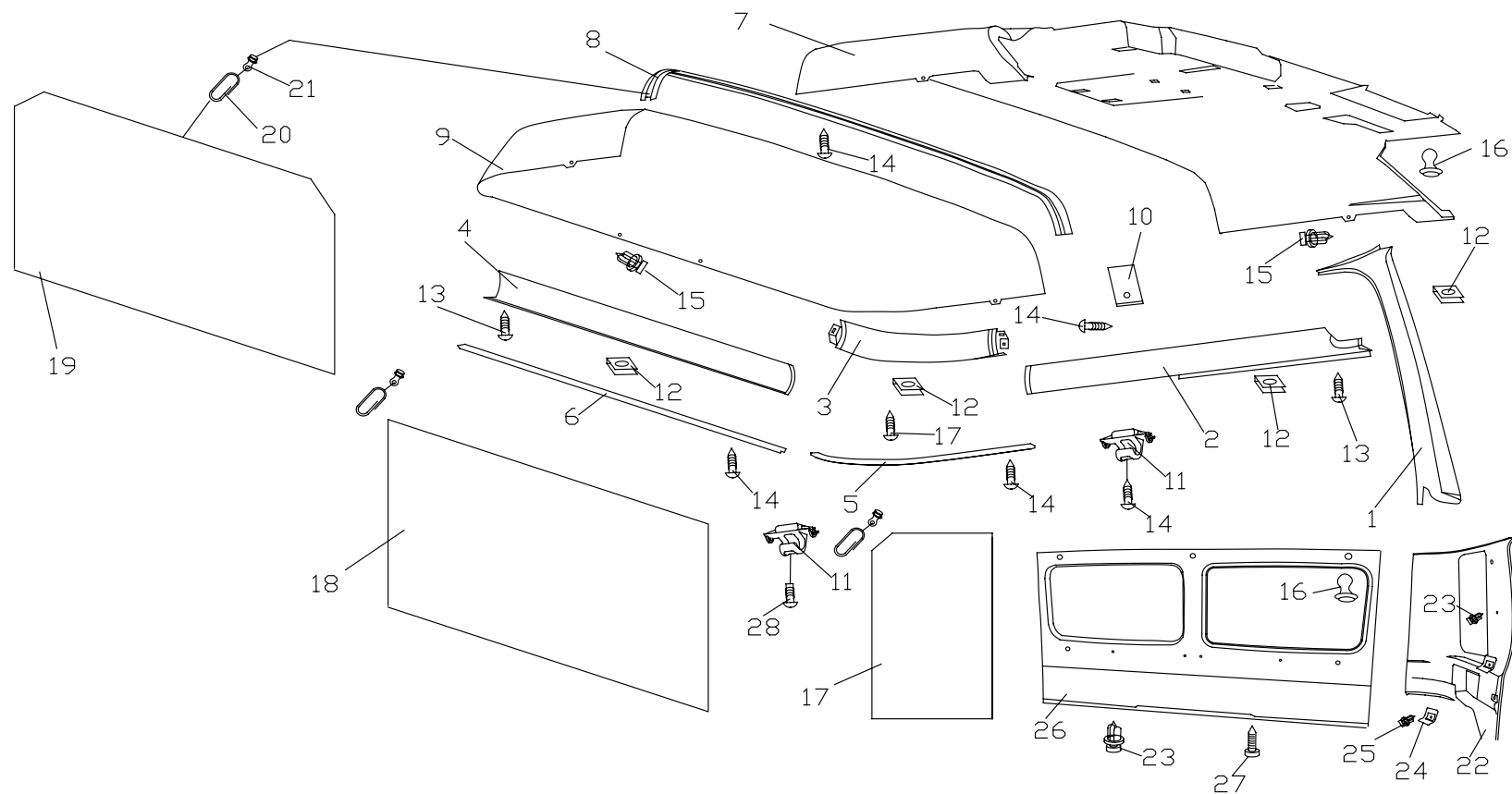
57-B



序号 No.	件号 Part No.	数量 Quantity	名称 Name	规格 Specification	适用产品 Products Applied	备注 Remark
1	54B1-02011	1	左前柱护板 Front Pillar Shield LH			
	54B1-02012	1	右前柱护板 Front Pillar Shield RH			
2	54B1-02015	1	左门框上饰板 Left Door Frame Upper Trim Board			
	54B1-02016	1	右门框上饰板 Right Door Frame Upper Trim Board			
3	54B1-02021	1	左后转角上饰板 Rear Corner Upper Trim Board LH			
	54B1-02022	1	右后转角上饰板 Rear Corner Upper Trim Board RH			
4	56B1-02011	1	后围上饰板 Rear Quarter Upper Trim Board			
5	82B1-05045	1	左侧滑轨 Sliding Rail LH			
	82B1-05046	1	右侧滑轨 Sliding Rail RH			
	82B15-05045	1	左侧滑轨 Sliding Rail LH		窄体系列 Narrow Cab Series	
	82B15-05046	1	右侧滑轨 Sliding Rail RH		窄体系列 Narrow Cab Series	
6	82B1-05048	1	后滑轨 Rear Sliding Rail			
7	57B1-02115	1	前顶棚 Front Roof			
	57B15-02115	1	前顶棚 Front Roof		窄体系列 Narrow Cab Series	

顶盖内顶部件 / CAB INNER ROOF SET

57-B



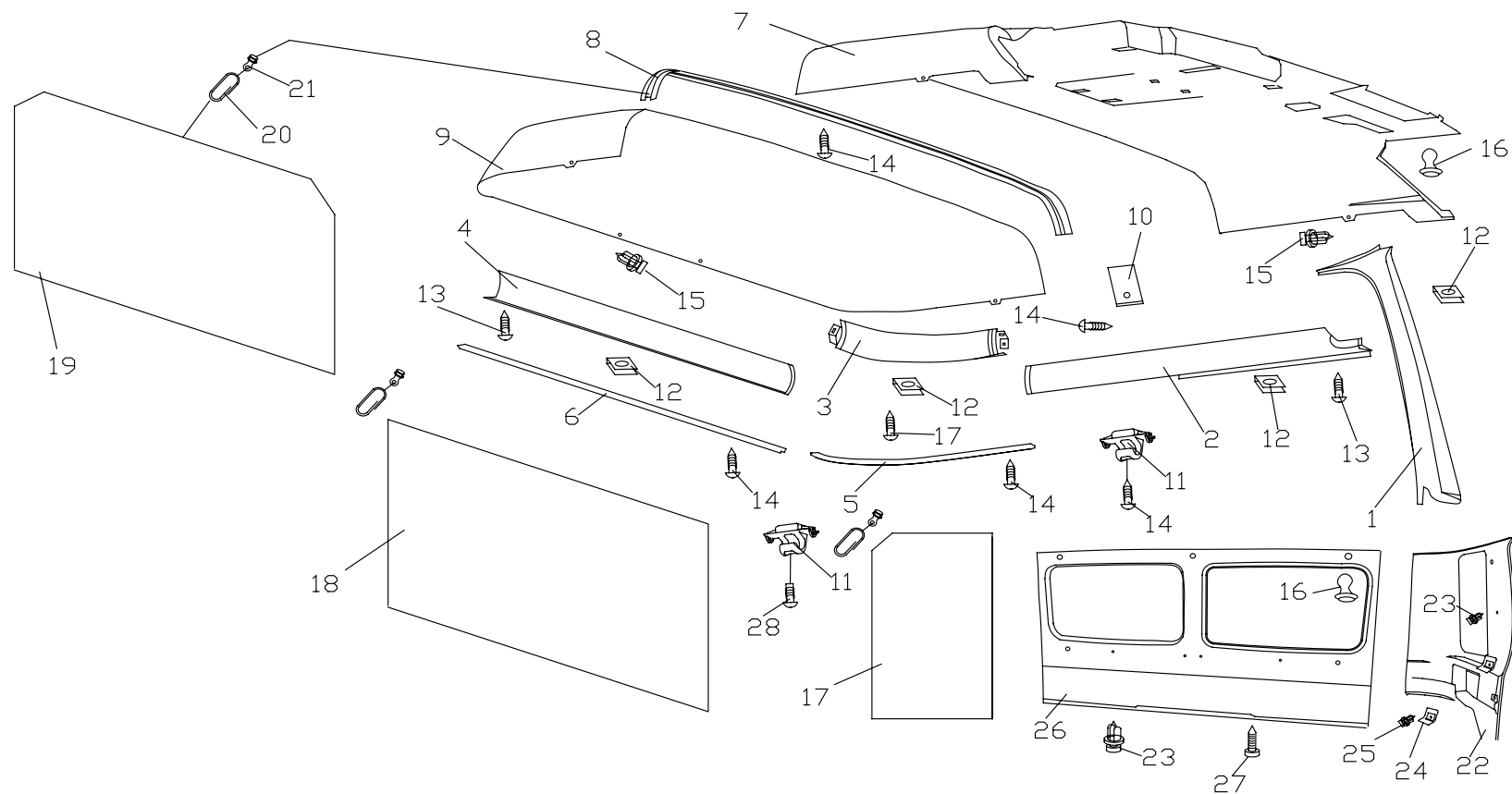
侧围、顶盖系统 / QUARTER, ROOF SYSTEM

57-10

序号 No.	件号 Part No.	数量 Quantity	名称 Name	规格 Specification	适用产品 Products Applied	备注 Remark
8	82B1-05041	1	中滑轨 Middle Sliding Rail			
	82B15-05041	1	中滑轨 Middle Sliding Rail		窄体系列 Narrow Cab Series	
9	57B1-02125	1	后顶棚 Rear Roof			
	57B15-02125	1	后顶棚 Rear Roof		窄体系列 Narrow Cab Series	
10	82B-05058	2	滑轨侧堵头 Sliding Rail Side Plug			
	82B5-05058	2	滑轨侧堵头 Sliding Rail Side Plug		窄体系列 Narrow Cab Series	
11	82B-05052	4	滑轨塑料接头 Sliding Rail Plastic Union			
12	53A-05148	20	弹簧卡扣 B Spring Buckle B			
13	Q2734816	16	十字槽大半圆头自攻螺钉 Cross Recessed Cup Head Self-Tapping Screw With Large Head			
14	Q2714222	17	十字槽盘头自攻螺钉 Cross Recessed Pan Head Self-Tapping Screw			
15	57B1-02073	6	塑料卡扣 C Plastic Buckle C			
16	57B1-02118	4	塑料卡扣 G Plastic Buckle G			
17	82B1-05020	2	侧窗帘 Side Curtain			
	82B15-05020	2	侧窗帘 Side Curtain		窄体系列 Narrow Cab Series	

顶盖内顶部件 / CAB INNER ROOF SET

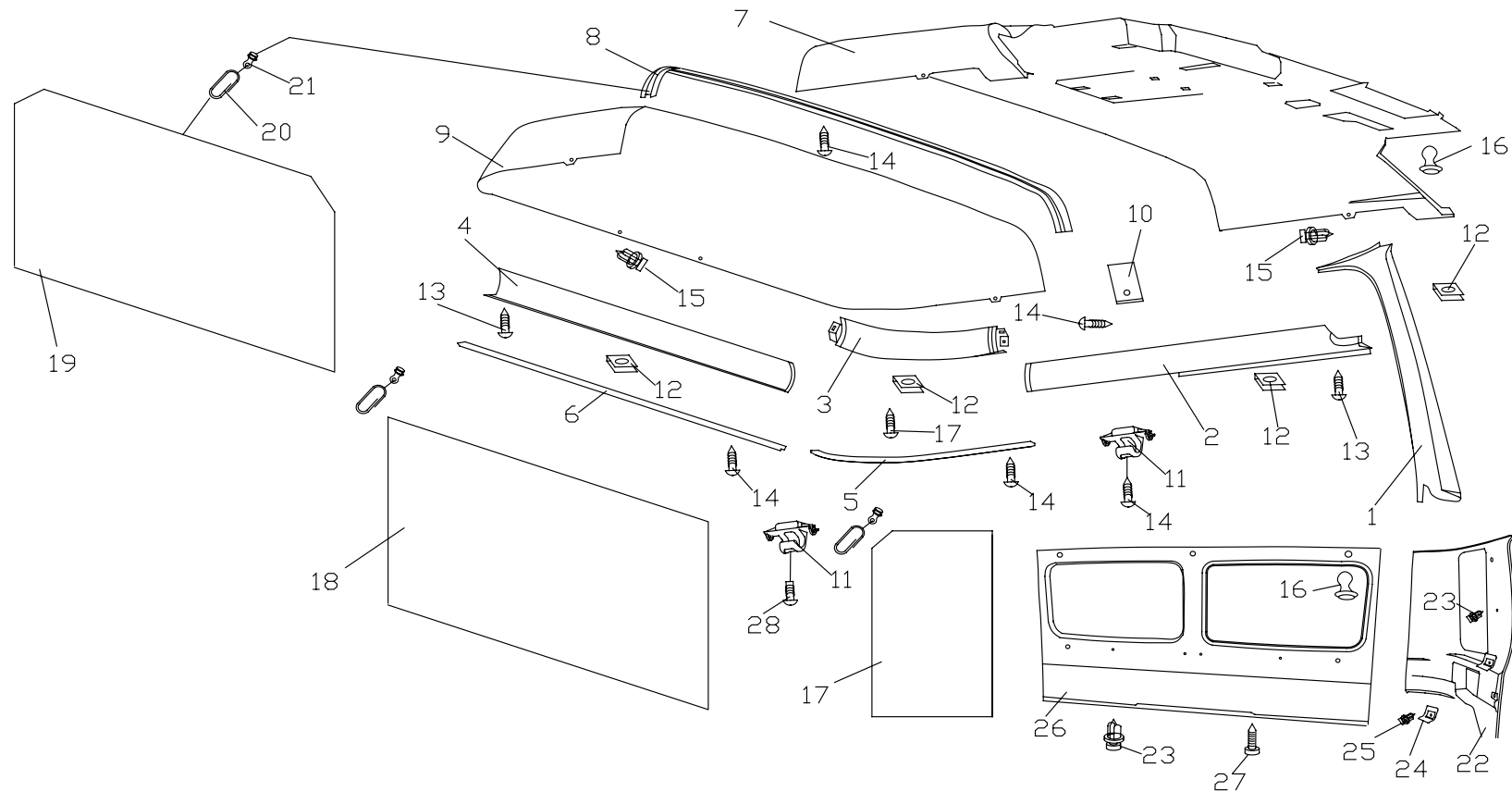
57-B



序号 No.	件号 Part No.	数量 Quantity	名称 Name	规格 Specification	适用产品 Products Applied	备注 Remark
18	82B1-05015	1	后窗帘 Rear Curtain			
	82B15-05015	1	后窗帘 Rear Curtain		窄体系列 Narrow Cab Series	
19	82B1-05010	1	上窗帘 Upper Curtain			
	82B15-05010	1	上窗帘 Upper Curtain		窄体系列 Narrow Cab Series	
20	82B1-05022	60	滑轮 Pulley			
21	82B1-05023	60	挂钩 Hook			
22	54B1-02125/6	1	左 / 右后侧围护板 Rear Quarter Shield LH/RH			
	54E-02125/6	1	左 / 右后侧围护板 Rear Quarter Shield LH/RH		欧款系列 Europe Series	
23	56B-02027	6	圆型塑料螺母 B Round Plastic Nut B			
	56B-02028	6	塑料螺钉 B Plastic Screw B			
24	54B1-02131	1	左安全带孔盖 Left Seat Belt Hole Cover			
	54B1-02132	1	右安全带孔盖 Right Seat Belt Hole Cover			
25	82B-07061	2	圆型塑料螺母 C Round Plastic Nut C			
	82B-07062	2	塑料螺钉 C Plastic Screw C			

顶盖内顶部件 / CAB INNER ROOF SET

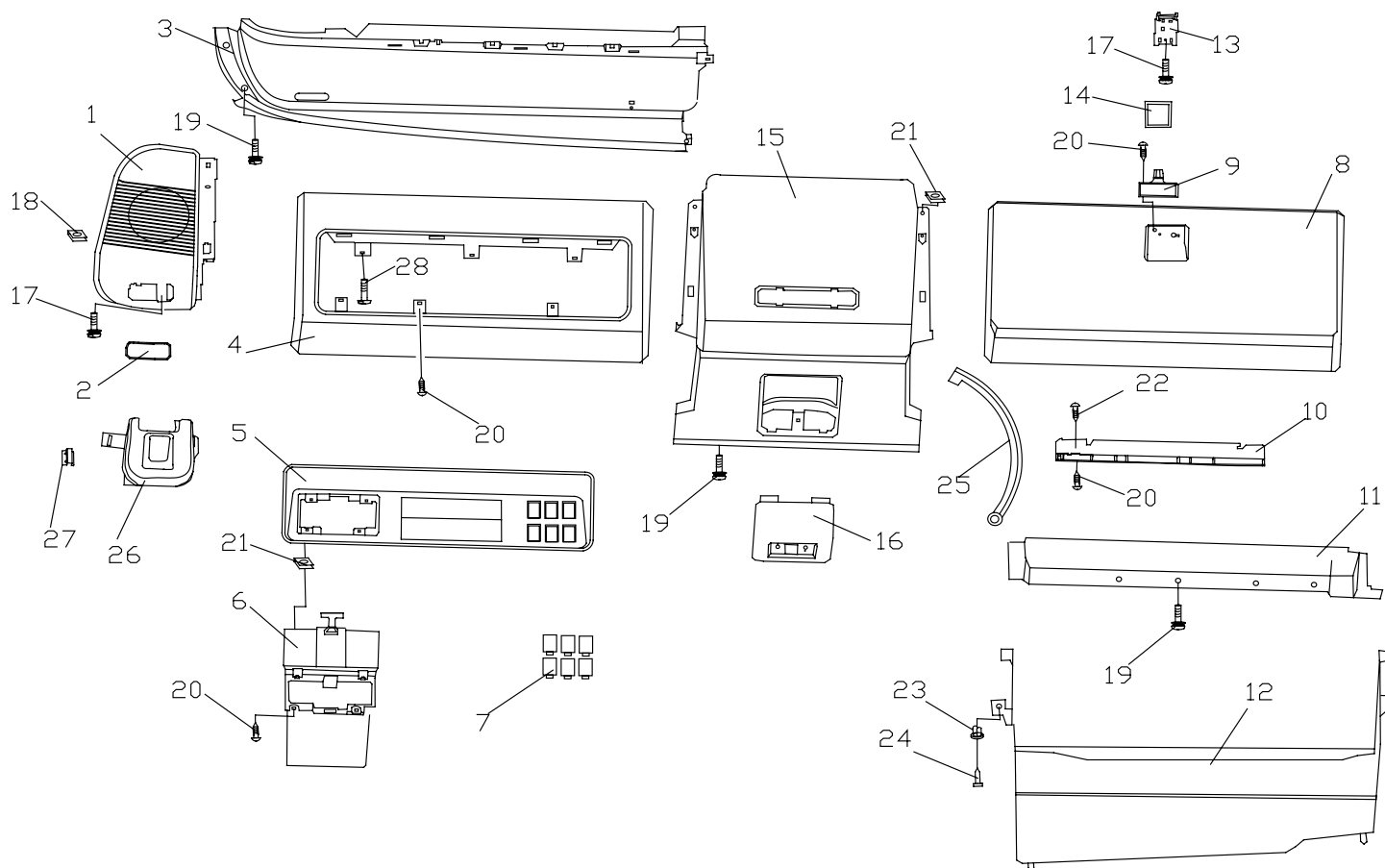
57-B



序号 No.	件号 Part No.	数量 Quantity	名称 Name	规格 Specification	适用产品 Products Applied	备注 Remark
26	56B1-02021	1	后围内护板 Rear Quarter Inner Shield			
	56B15-02021	1	后围内护板 Rear Quarter Inner Shield		窄体系列 Narrow Cab Series	
27	56B-02017	8	塑料卡扣 D Plastic Buckle D			
28	Q2360525	2	十字槽组合螺栓 Cross Recessed Combination Nut			

驾驶室前顶部件 / CAB FRONT ROOF SET

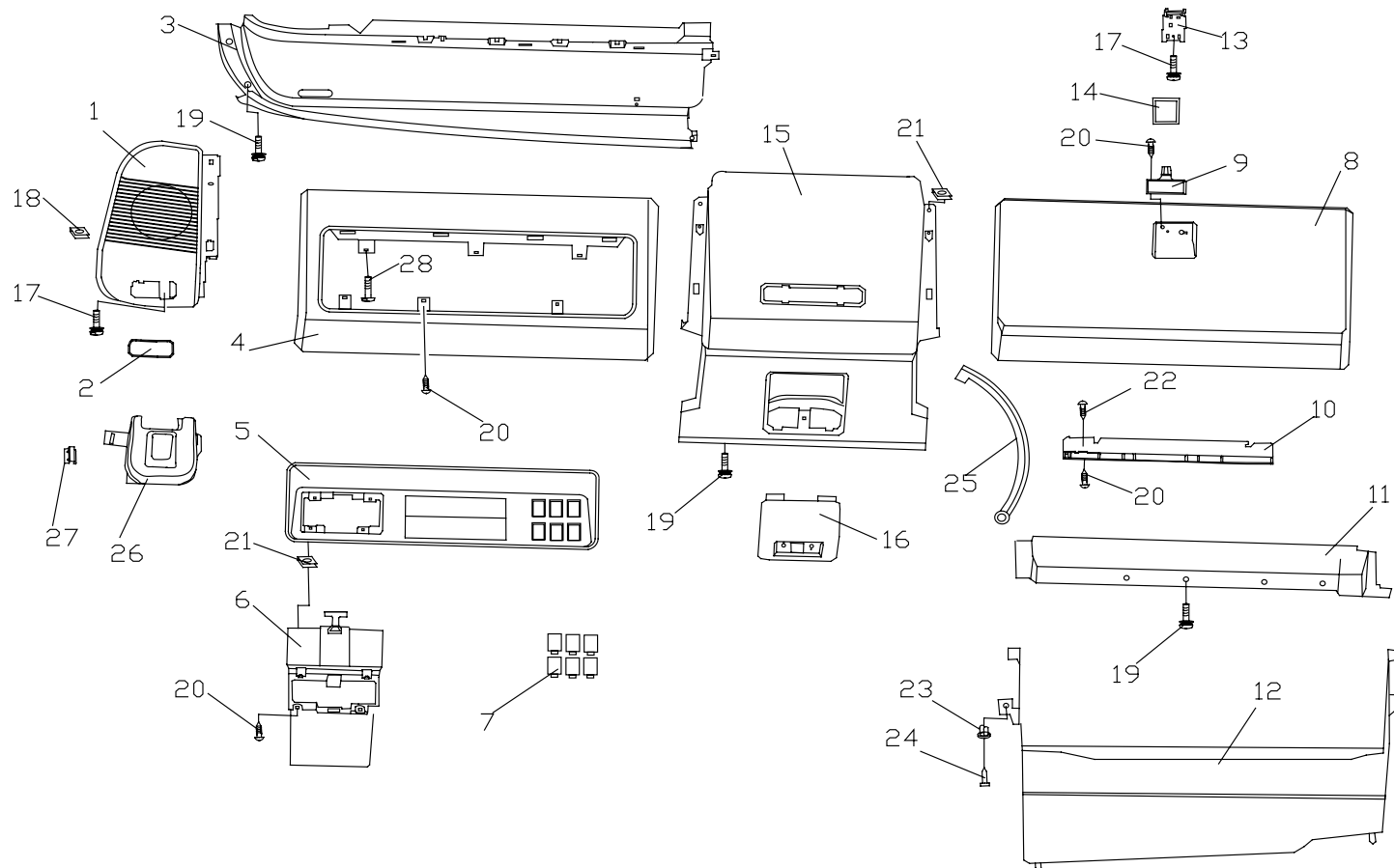
57-C



序号 No.	件号 Part No.	数量 Quantity	名称 Name	规格 Specification	适用产品 Products Applied	备注 Remark
1	57B1-02017	1	左上喇叭盖 Upper Horn Cover LH		57-C 部分为高顶驾驶室专用 57-C Only For High Roof Cab	
	57B1-02018	1	右上喇叭盖 Upper Horn Cover RH			
2	57B-02025	1	堵盖 Pulley Cover			
3	57B1-02037	1	顶盖左内饰板 Roof Inner Trim Board LH			
	57B1-02038	1	顶盖右内饰板 Roof Inner Trim Board RH			
4	57B1-02051	1	驾驶上方控制仪表座 Upper Control Instrument Seat			
5	57B1-02056	1	驾驶上方控制仪表板 Upper Control Instrument Panel			
6	57B1-02065	1	左上置物箱总成 Upper Storage Box Assembly LH			
7	57B-02061	6	堵盖 Pulley Cover			
8	57B1-02068	1	右上置物箱盖板 Upper Storage Box Plate RH			
9	57B1-02069	1	锁钩总成 Locking Hook Assembly			
10	57B1-02071	1	右上置物盒盖连接板 Upper Storage Box Cover Connecting Panel RH			
11	57B1-02072	1	右上置物盒防滑挡板 Upper Storage Box Skidproof Baffle RH			
12	57B1-02075	1	右上置物盒底板 Upper Storage Box Botton Plate RH			

驾驶室前顶部件 / CAB FRONT ROOF SET

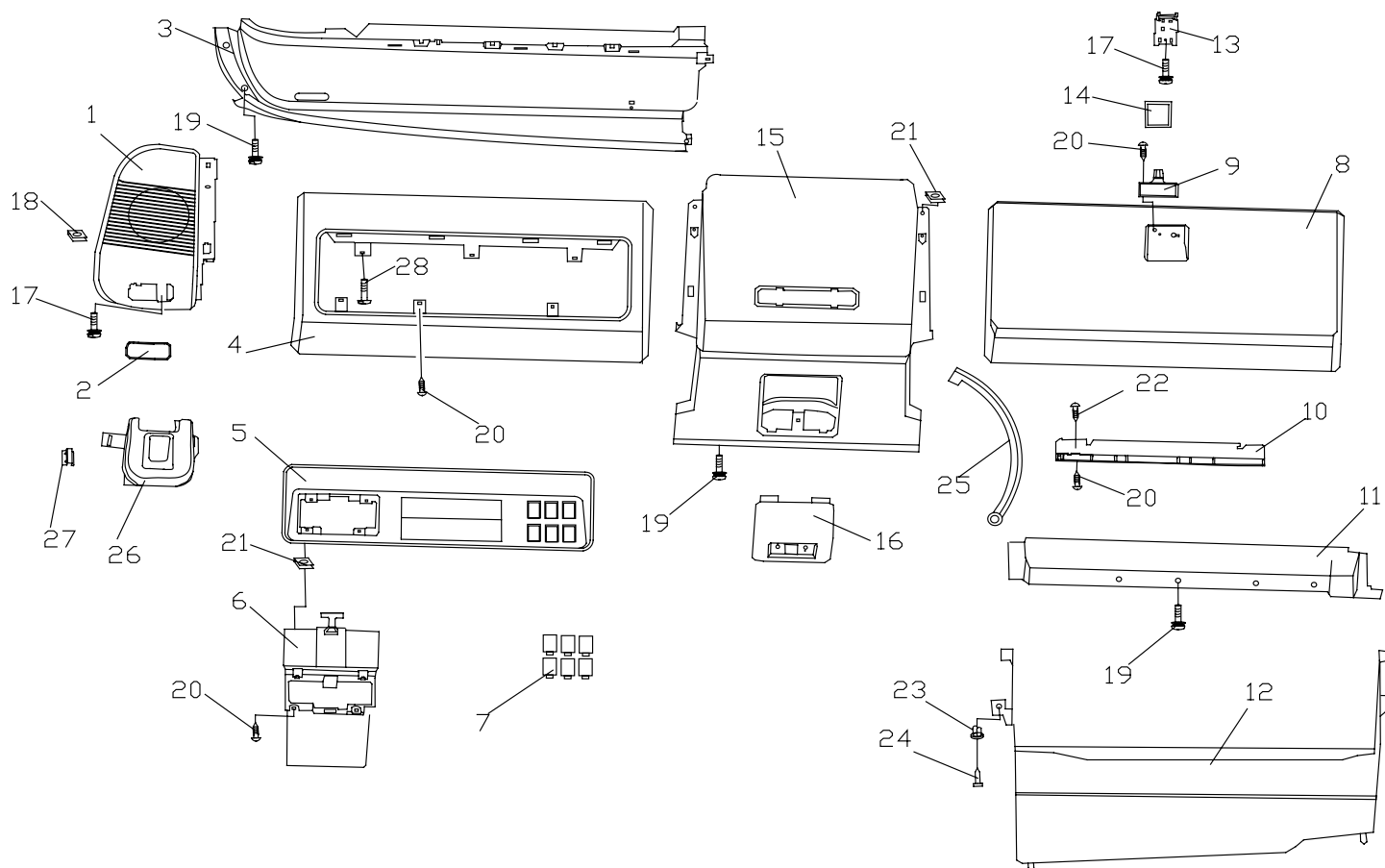
57-C



序号 No.	件号 Part No.	数量 Quantity	名称 Name	规格 Specification	适用产品 Products Applied	备注 Remark
13	57B1-02078	1	右上置物盒锁舌 Upper Storage Box Latch RH			
14	57B1-02079	1	锁舌盖板 Latch Cover Plate			
15	57G-03055	1	顶盖中内饰板 Roof Center Inner Trim Board			
16	57B1-02095	1	顶盖中内饰板护盖 Roof Center Inner Trim Board Cover			
17	Q2360616	3	十字槽组合螺钉 Cross Recessed Combination Screw			
18	53A-05148	4	弹簧卡扣 B Spring Buckle B			
19	Q2360625	16	十字槽组合螺钉 Cross Recessed Combination Screw			
20	Q2734816	13	十字槽大半圆头自攻螺钉 Cross Recessed Cup Head Self-Tapping Screw With Large Head			
21	51A-03042	8	小弹片螺母 Small Spring Nut			
22	Q2713516	4	十字槽盘头自攻螺钉 Cross Recessed Pan Head Self-Tapping Screw			
23	82B-07061	2	圆型塑料螺母 C Round Plastic Nut C			
24	82B-07062	2	塑料螺钉 C Plastic Screw C			
25	57B1-02076	2	弯臂铰链 Bend Hinge			
26	57B1-02021	1	阅读灯护罩 Map Lamp Protector			仅用于右件 Only for Set RH

驾驶室前顶部件 / CAB FRONT ROOF SET

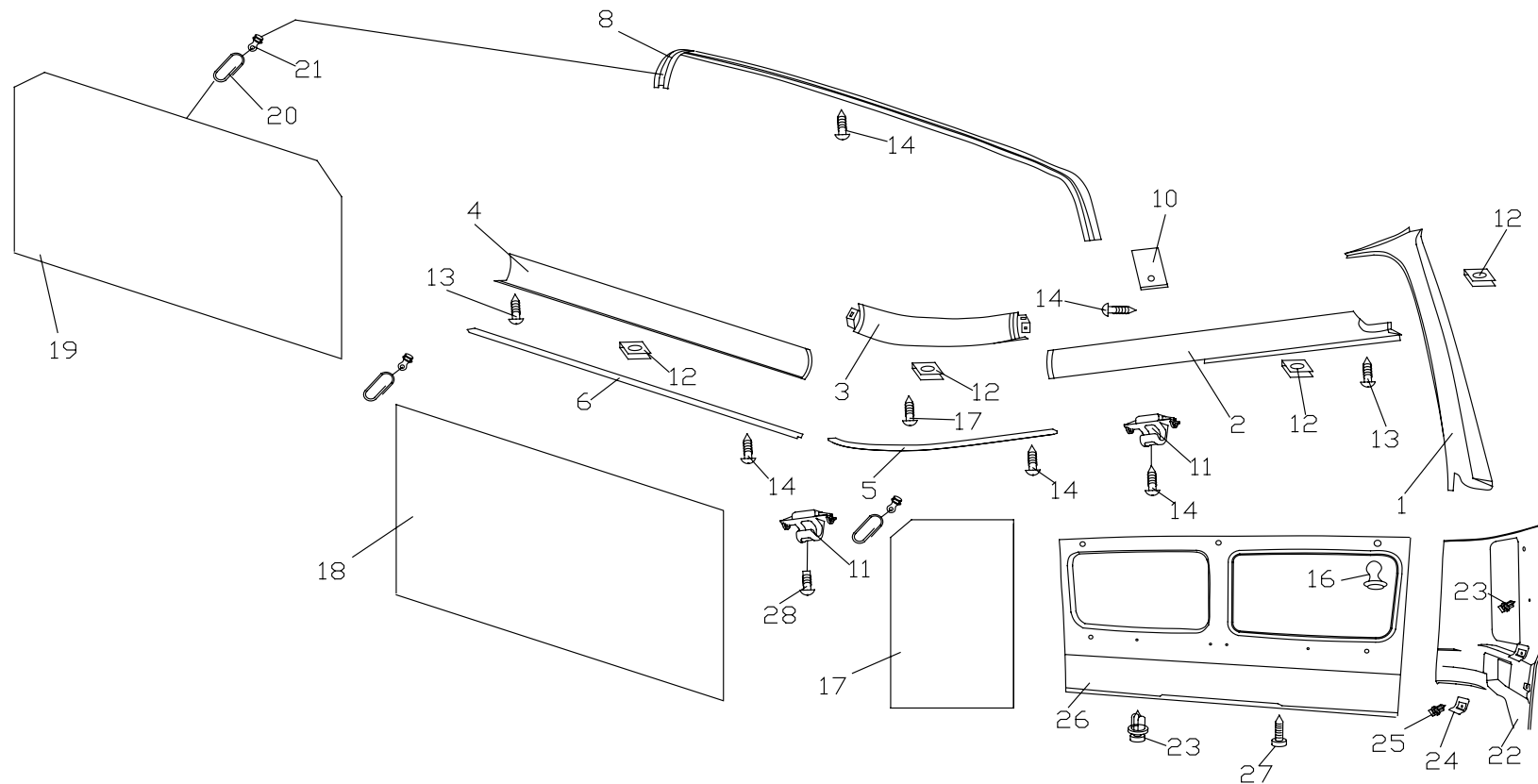
57-C



序号 No.	件号 Part No.	数量 Quantity	名称 Name	规格 Specification	适用产品 Products Applied	备注 Remark
27	57B-02023	1	弹簧卡扣 Spring Buckle			仅用于右件 Only For Set RH
28	Q2140616	3	十字槽螺钉 Cross Recessed Screw			

顶盖内顶部件 I / CAB INNER ROOF SET I

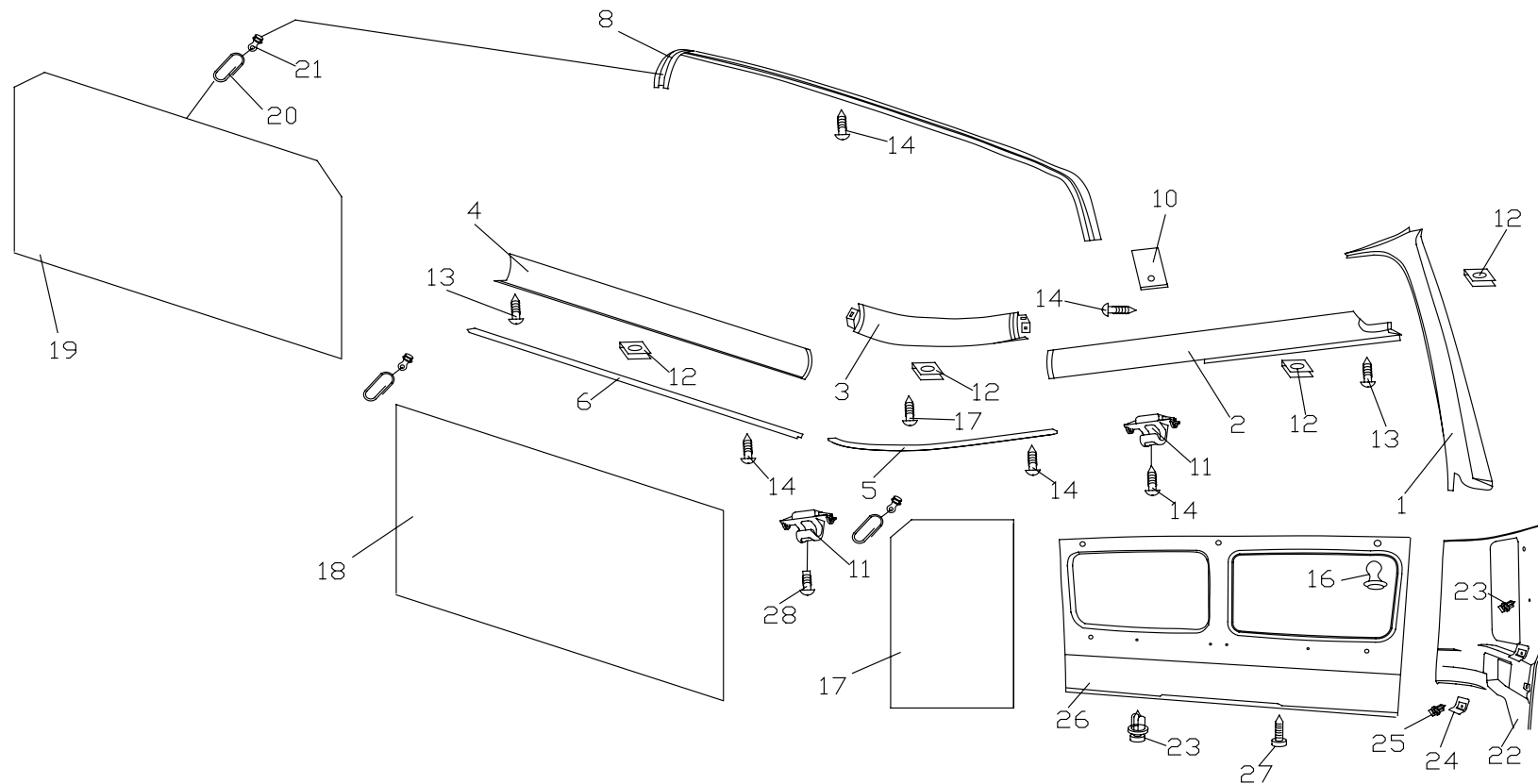
57-D



序号 No.	件号 Part No.	数量 Quantity	名称 Name	规格 Specification	适用产品 Products Applied	备注 Remark
1	54B1-02011	1	左前柱护板 Front Pillar Shield LH		57-D 部分为高顶驾驶室专用 57-D Only For High Roof Cab	
	54B1-02012	1	右前柱护板 Front Pillar Shield RH			
2	54B1-02015	1	左门框上饰板 Left Door Frame Upper Trim Board			
	54B1-02016	1	右门框上饰板 Right Door Frame Upper Trim Board			
3	54B1-02021	1	左后转角上饰板 Rear Corner Upper Trim Board LH			
	54B1-02022	1	右后转角上饰板 Rear Corner Upper Trim Board RH			
4	56B1-02011	1	后围上饰板 Rear Quarter Upper Trim Board			
5	82B1-05045	1	左侧滑轨 Sliding Rail LH			
	82B1-05046	1	右侧滑轨 Sliding Rail RH			
6	82B1-05048	1	后滑轨 Rear Sliding Rail			
8	82G-05041	1	中滑轨 Middle Sliding Rail			
10	82G-05058	2	滑轨侧堵头(中) Sliding Rail Side Plug (Center)			
11	82B-05052	4	滑轨塑料接头 Rail Plastic Union			
12	53A-05148	20	弹簧卡扣 B Spring Buckle B			

顶盖内顶部件 I / CAB INNER ROOF SET I

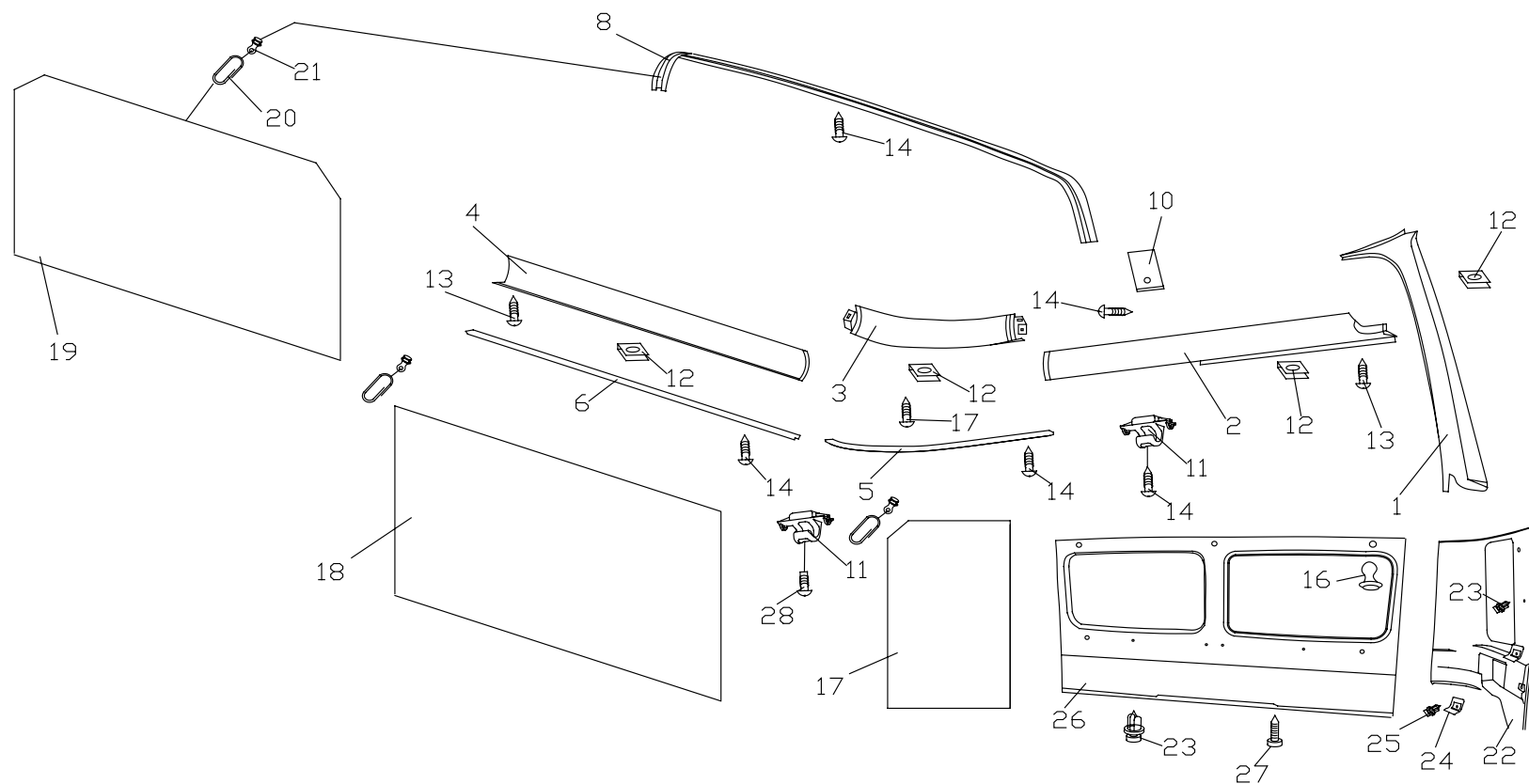
57-D



序号 No.	件号 Part No.	数量 Quantity	名称 Name	规格 Specification	适用产品 Products Applied	备注 Remark
13	Q2734816	16	十字槽大半圆头自攻螺钉 Cross Recessed Cup Head Self-Tapping Screw With Large Head			
14	Q2714222	17	十字槽盘头自攻螺钉 Cross Recessed Pan Head Self-Tapping Screw			
16	57B1-02118	4	塑料卡扣 G Plastic Buckle G			
17	82B1-05020	2	侧窗帘 Side Curtain			
18	82B1-05015	1	后窗帘 Rear Curtain			
19	82G-05010	1	上窗帘 Upper Curtain			
20	82B1-05022	60	滑轮 Pulley			
21	82B1-05023	60	挂钩 Hook			
22	54B1-02125	1	左后侧围护板 Rear Quarter Shield LH			
	54B1-02126	1	右后侧围护板 Rear Quarter Shield RH			
23	56B-02027	6	圆型塑料螺母 B Round Plastic Nut B			
	56B-02028	6	塑料螺钉 B Plastic Screw B			
24	54B1-02131	1	左安全带孔盖 Left Seat Belt Hole Cover			
	54B1-02132	1	右安全带孔盖 Right Seat Belt Hole Cover			

顶盖内顶部件 I / CAB INNER ROOF SET I

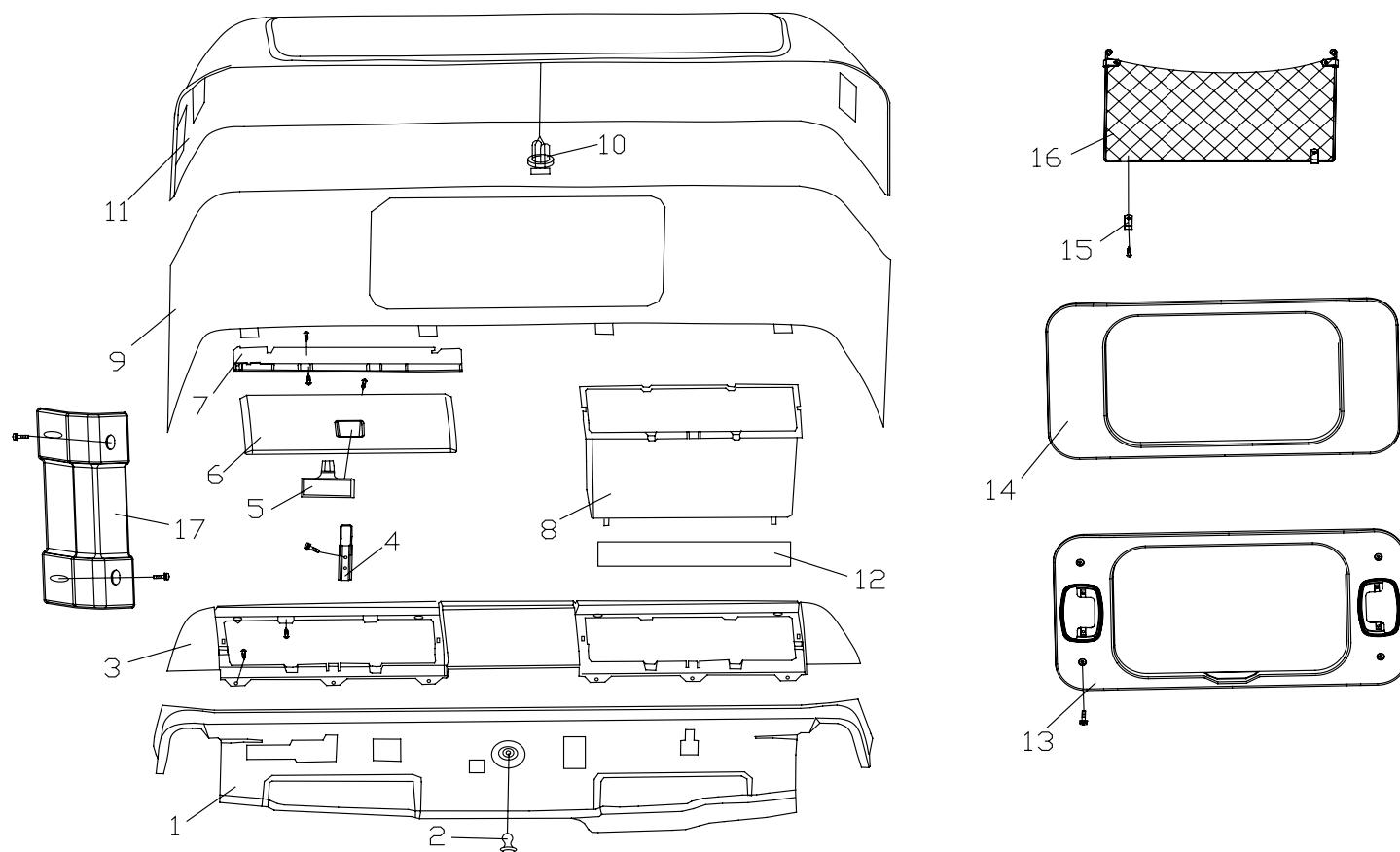
57-D



序号 No.	件号 Part No.	数量 Quantity	名称 Name	规格 Specification	适用产品 Products Applied	备注 Remark
25	82B-07061	2	圆型塑料螺母 C Round Plastic Nut C			
	82B-07062	2	塑料螺钉 C Plastic Screw C			
26	56B1-02021	1	后围内护板 Rear Quarter Inner Shield			
27	56B-02017	8	塑料卡扣 D Plastic Buckle D			
28	Q2360525	2	十字槽组合螺栓 Cross Recessed Combination Nut			
	82G-08011	1	清洁警示贴纸 (左) Clearing Caution Paper (LH)			
	82G-08012	1	安全提示贴纸 (右) Safety Reminder Paper (RH)			

顶盖内顶部件 II / CAB INNER ROOF SET II

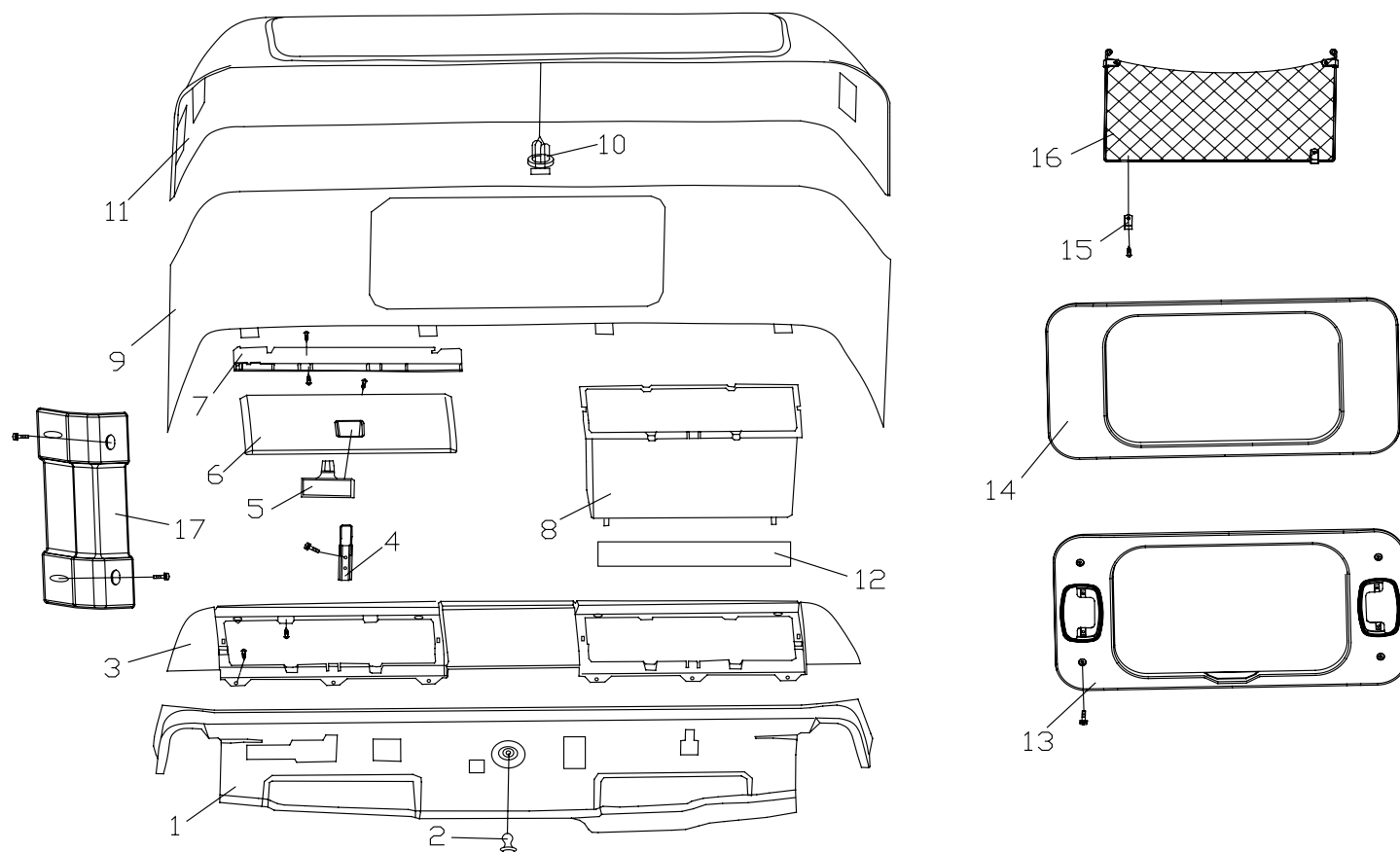
57-E



序号 No.	件号 Part No.	数量 Quantity	名称 Name	规格 Specification	适用产品 Products Applied	备注 Remark
1	57G-03052	1	前上格板 Front Upper Partition		57-E 部分为高顶驾驶室专用 57-E Only For High Roof Cab	
2	57B1-02118	1	塑料卡扣 G Plastic Buckle G			
3	50G-03041	1	上面板 Upper Panel			
	Q2734816	6	十字槽大半圆头自攻螺钉 Cross Recessed Cup Head Self-Tapping Screw With Large Head			
	Q2735522	4	十字槽大半圆头自攻螺钉 Cross Recessed Cup Head Self-Tapping Screw With Large Head			
4	57G-01030	2	上杂物箱锁舌 Upper Glove Box Latch			
	Q2360616	2	十字槽组合螺钉 Cross Recessed Combination Screw			
5	57B-02069	2	锁钩总成 Locking Hook Assembly			
	Q2734816	4	十字槽大半圆头自攻螺钉 Cross Recessed Cup Head Self-Tapping Screw With Large Head			
6	57G-03045	2	上杂物箱盖总成 Upper Glove Box Assembly			
7	57B1-02071	2	右上置物盒盖连接板 Upper Storage Box Cover Connecting Panel RH			
	Q2734816	8	十字槽大半圆头自攻螺钉 Cross Recessed Cup Head Self-Tapping Screw With Large Head			
	Q2713516	8	十字槽盘头自攻螺钉 Cross Recessed Pan Head Self-Tapping Screw			
8	57G-03048	2	上杂物箱 Upper Glove Box			

顶盖内顶部件 II / CAB INNER ROOF SET II

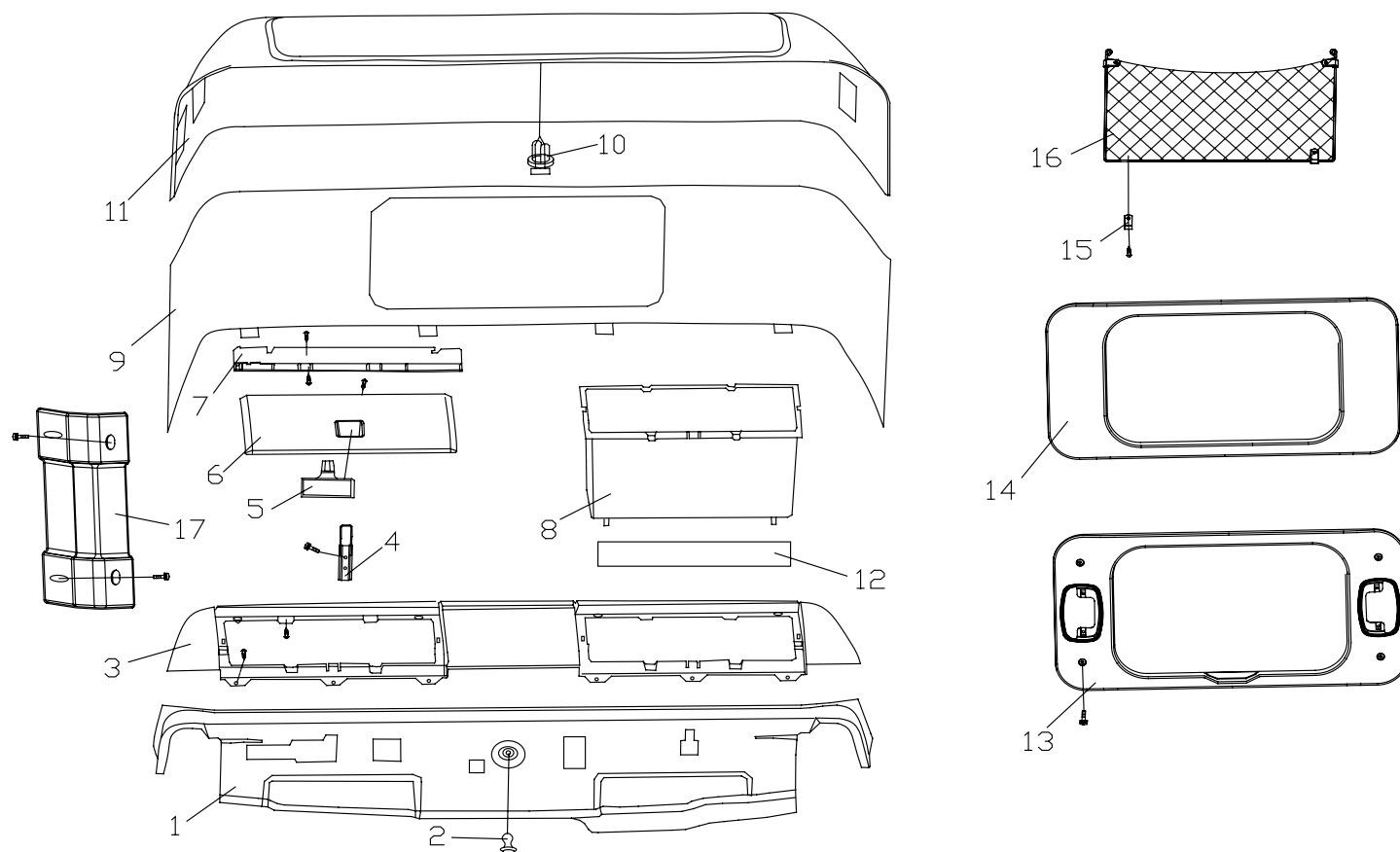
57-E



序号 No.	件号 Part No.	数量 Quantity	名称 Name	规格 Specification	适用产品 Products Applied	备注 Remark
8	Q2734816	12	十字槽大半圆头自攻螺钉 Cross Recessed Cup Head Self-Tapping Screw With Large Head			
	51A-03042	12	小弹片螺母 Small Spring Nut			
9	57G-03011	1	前上顶饰板 Front Upper Trim Board			
10	57B1-02073	4	塑料卡扣 C Plastic Buckle C			
11	57G-03021	1	后上顶饰板 Rear Upper Trim Board			
12	57G-03050	2	减振垫—上杂物箱 Absorber Cushion-Upper Glove Box			
13	57G-03031	1	天窗装饰框 Sunroof Trim Frame			
	Q2360816	4	十字槽组合螺钉 Cross Recessed Combination Screw			
14	57G-03030	1	天窗总成 Sunroof Assembly			
	Q2734222	8	十字槽大半圆头自攻螺钉 Cross Recessed Cup Head Self-Tapping Screw With Large Head			
	Q2734232	2	十字槽大半圆头自攻螺钉 Cross Recessed Cup Head Self-Tapping Screw With Large Head			
	Q40206	2	大平垫 Big Plate Washer			
15	37AD-33213	4	定位夹 Locating Clip			
	Q2734816	4	十字槽大半圆头自攻螺钉 Cross Recessed Cup Head Self-Tapping Screw With Large Head			

顶盖内顶部件 II / CAB INNER ROOF SET II

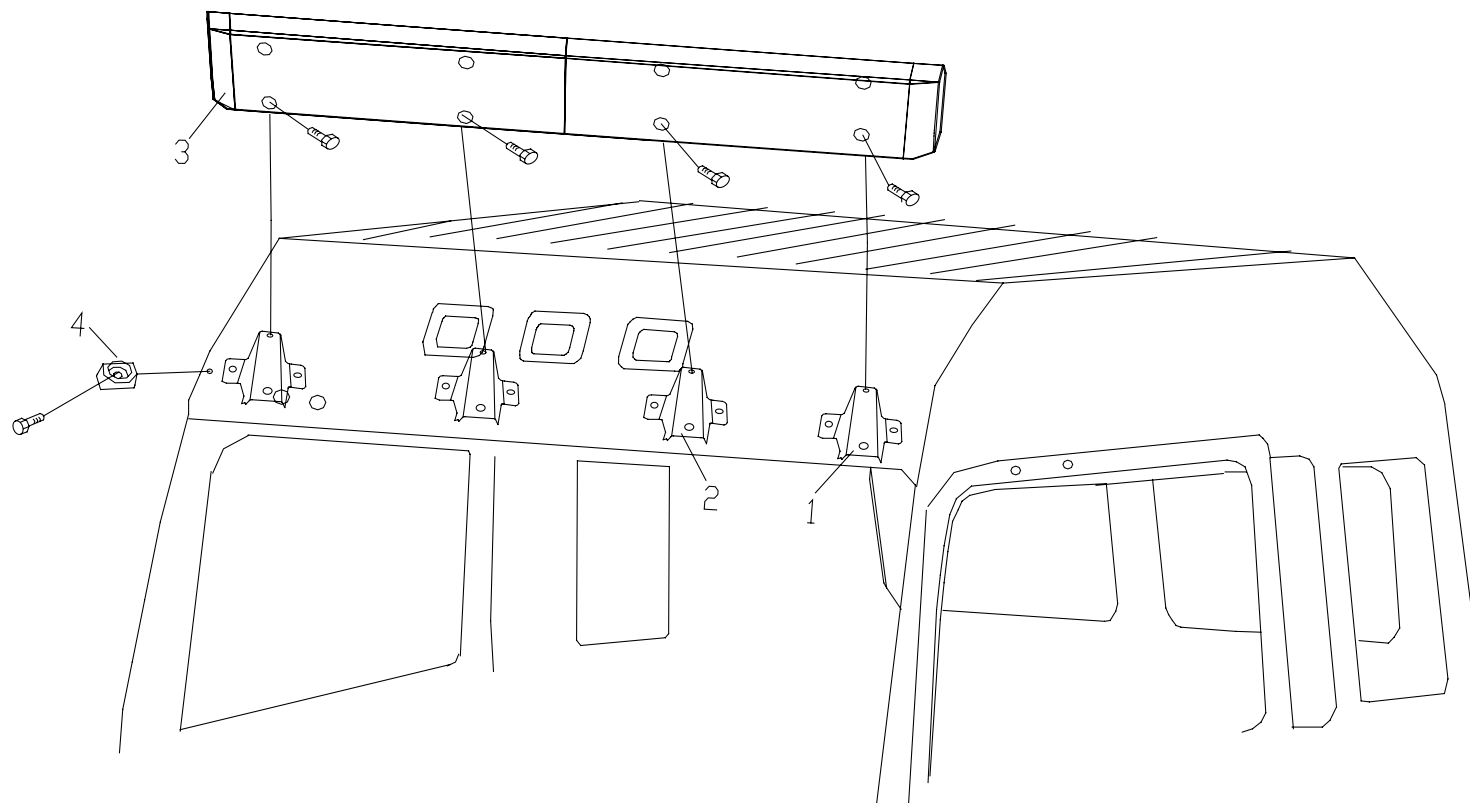
57-E



序号 No.	件号 Part No.	数量 Quantity	名称 Name	规格 Specification	适用产品 Products Applied	备注 Remark
16	57G-03026	1	杂物栏框总成 Glove Box Frame Assmebly			
17	57G-02012	4	顶盖连接支架 Roof Connecting Bracket			
	Q1460820	8	六角头组合螺栓 Hexagon Head Combination Bolt			
	Q1461025	8	六角头组合螺栓 Hexagon Head Combination Bolt			

遮阳罩 / SUNSHADE

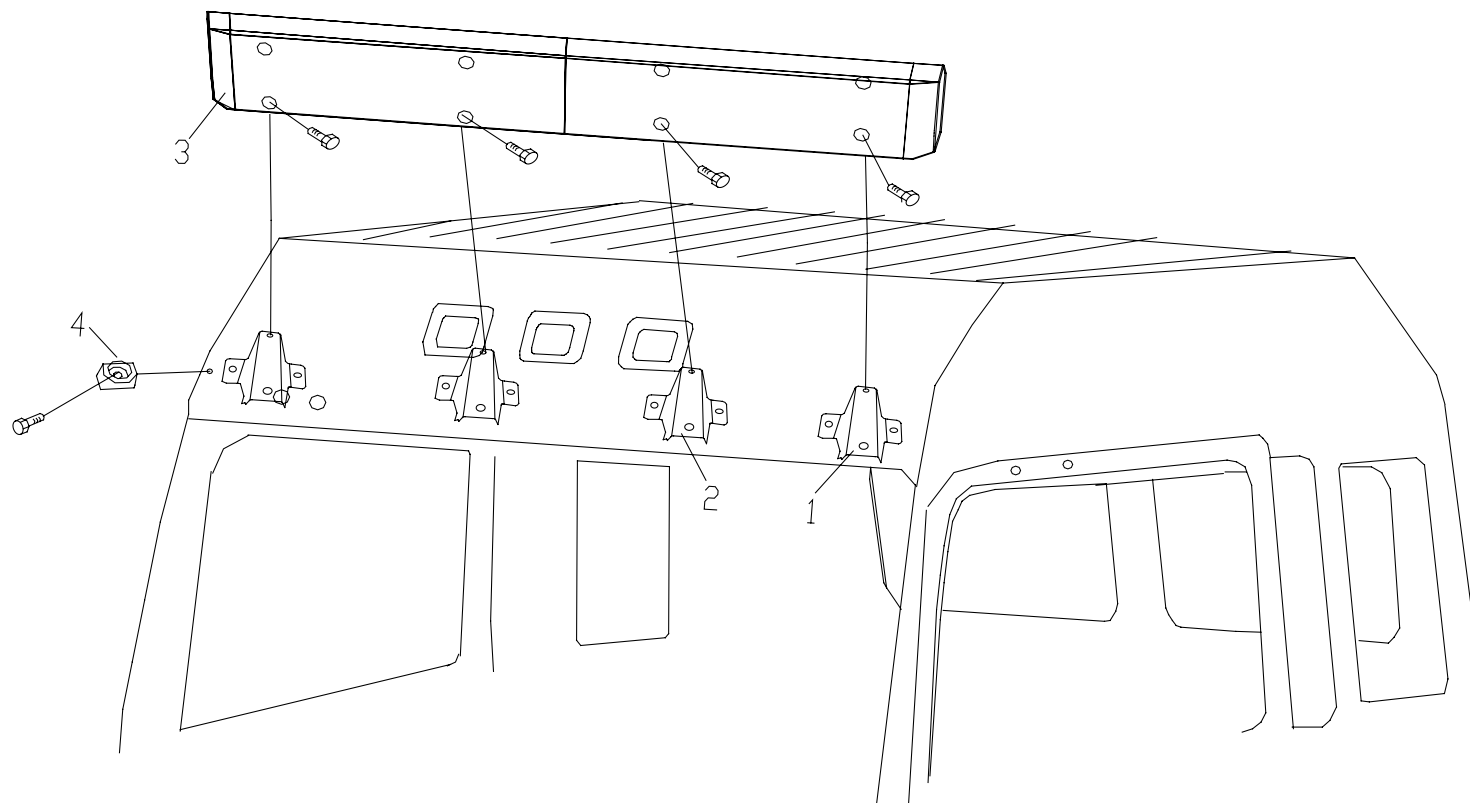
57-F



序号 No.	件号 Part No.	数量 Quantity	名称 Name	规格 Specification	适用产品 Products Applied	备注 Remark
1	57G-03065	1	左侧支架 - 遮阳罩 Bracket LH-Sunshade		57-F 部分为高顶驾驶室专用 57-F Only For High Roof Cab	
	57G-03066	1	右侧支架 - 遮阳罩 Bracket RH-Sunshade			
	Q2140830	4	十字槽盘头螺钉 Cross Recessed Pan Head Screw			
	Q40108	4	平垫圈 Plate Washer			
	Q40308	4	弹簧垫圈 Spring Washer			
2	57G-03063	1	左中支架 - 遮阳罩 Middle Bracket LH-Sunshade			
	57G-03064	1	右中支架 - 遮阳罩 Middle Bracket RH-Sunshade			
	Q2715532	4	十字槽盘头自攻螺钉 Cross Recessed Pan Head Self-Tapping Screw			
	Q40206	4	大垫圈 Big Washer			
3	57G-03061	1	前遮阳罩 Front Sunshade			
	Q2140830	8	十字槽盘头螺钉 Cross Recessed Pan Head Screw			
	Q40108	8	平垫圈 Plate Washer			
	Q32008	8	六角法兰面螺母 Hexagon Nut With Flange			
4	57G-03070	2	橡胶垫 Rubber Cushion			

遮阳罩 / SUNSHADE

57-F



序号 No.	件号 Part No.	数量 Quantity	名称 Name	规格 Specification	适用产品 Products Applied	备注 Remark
4	Q2140620	2	十字槽盘头螺钉 Cross Recessed Pan Head Screw			

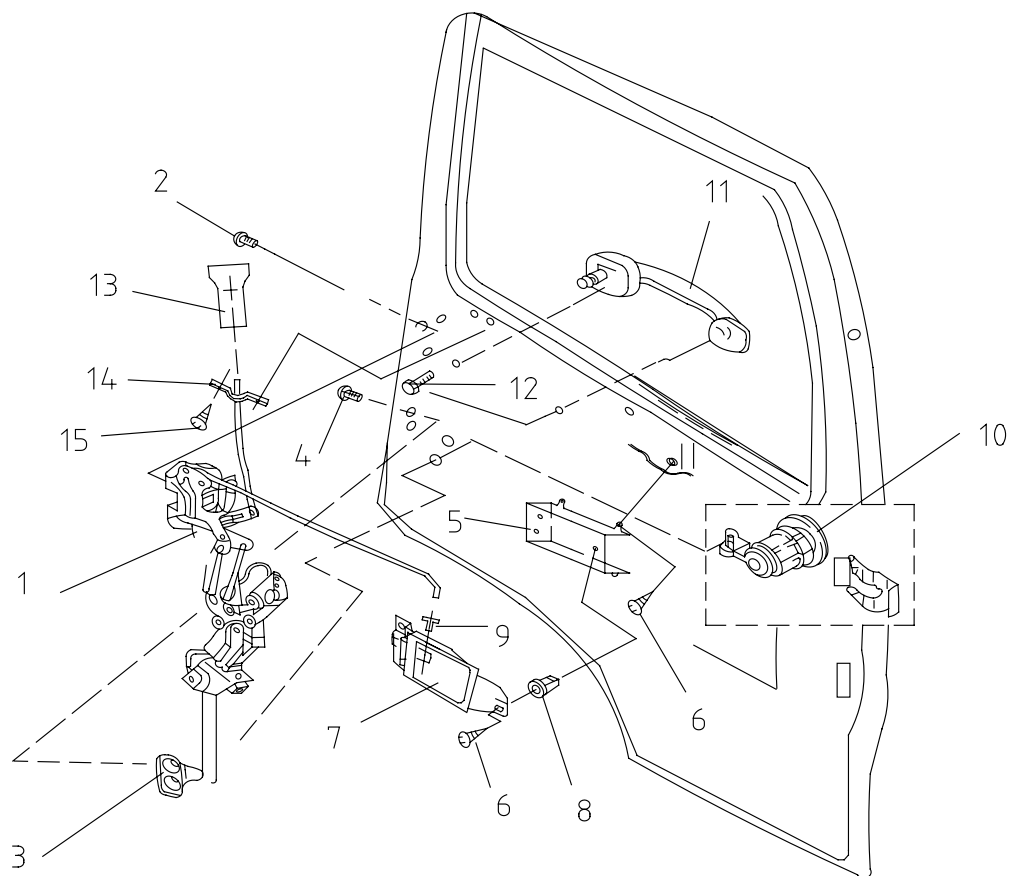
61

车门系统

DOOR SYSTEM

车门门锁 / DOOR LOCK

61-A



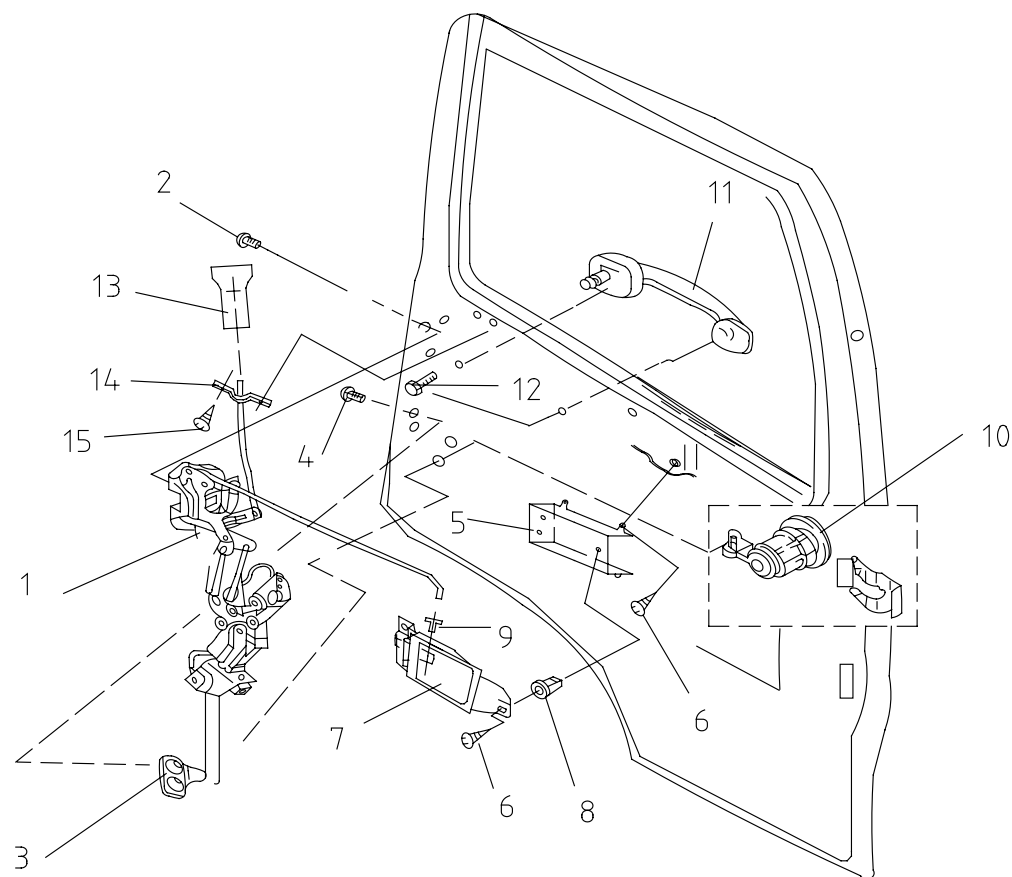
车门系统 / DOOR SYSTEM

61-2

序号 No.	件号 Part No.	数量 Quantity	名称 Name	规格 Specification	适用产品 Products Applied	备注 Remark
1	6105B-009/10	1	左 / 右门锁总成 Door Lock Assembly LH/RH			
	6105AY-009/10	1	左 / 右门锁总成 Door Lock Assembly LH/RH		右驾系列 RHD Series	
2	Q2340620	6	十字槽盘头外齿垫圈组合螺钉 Cross Recessed Pan Head Combination Screw With Toothed Washer			
3	6105B-035/36	1	左 / 右门外开转换机构总成 Outside Handle Conversion Unit Assembly LH/RH			
4	Q2140620	4	十字槽盘头螺钉 Gross Recessed Pan Head Screw			
	Q40306	4	弹簧垫圈 Spring Washer			
	Q40206	4	大垫圈 Big Washer			
5	61B1-01315/16	1	左 / 右内把手支架总成 Inside Handle Bracket Assembly LH/RH			
6	Q2734816	14	十字槽大半圆头自攻螺钉 Cross Recessed Cup Head Self-Tapping Screw With Large Head			
7	61B1-01320	2	内手柄总成 Inside Handle Assembly			
8	54B-02018	14	方型塑料螺母 A Square Plastic Nut A			
9	6105B-011	2	卡扣 - 内开手柄 Buckle-Inside Handle			
10	6105B-029/30	1/1	左 / 右门锁锁芯总成 Door Lock Cylinder Assembly LH/RH			
11	6105B-020	2	车门外开手柄总成 Outside Handle Assembly			

车门门锁 / DOOR LOCK

61-A



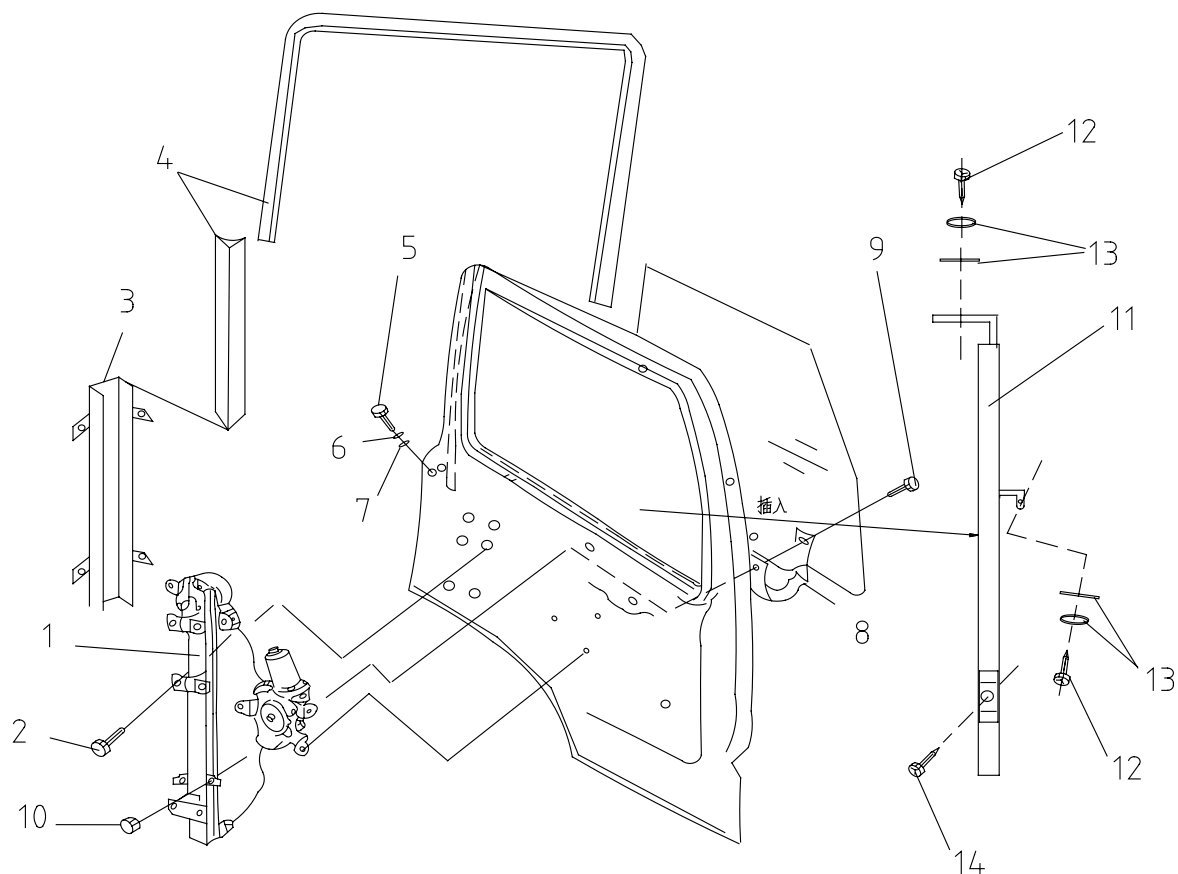
车门系统 / DOOR SYSTEM

61-4

序号 No.	件号 Part No.	数量 Quantity	名称 Name	规格 Specification	适用产品 Products Applied	备注 Remark
12	Q1460612	4	六角头组合螺栓 Hexagon Head Combination Bolt			
13	6105B-051	2	内锁止按钮 Inside Lock Button			
14	6105B-055	2	导向套 Pilot Sleeve			
15	Q2734816	4	十字槽大半圆头自攻螺钉 Cross Recessed Cup Head Self-Tapping Screw With Large Head			

车门导轨升降器 / DOOR RAIL REGULATOR

61-B



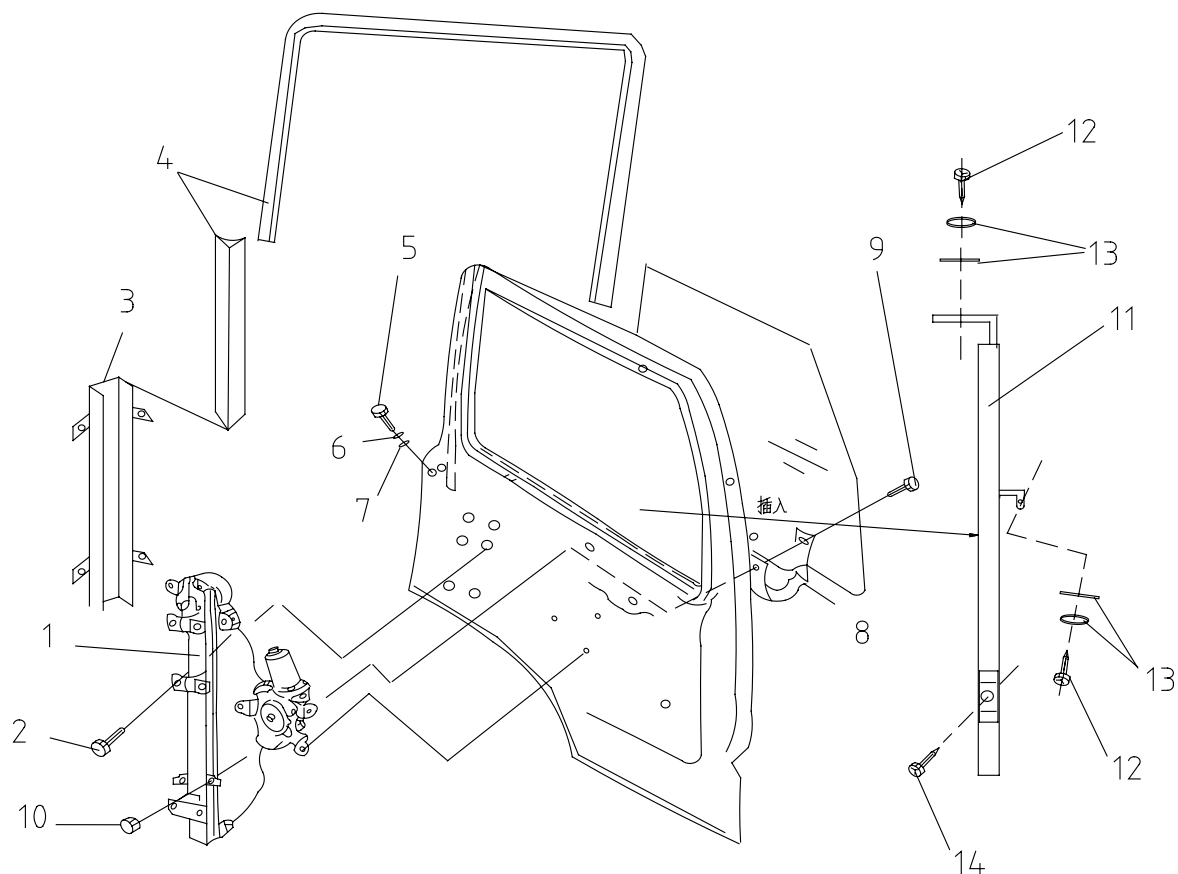
车门系统 / DOOR SYSTEM

61-6

序号 No.	件号 Part No.	数量 Quantity	名称 Name	规格 Specification	适用产品 Products Applied	备注 Remark
1	6104A1-009	1	左玻璃升降器总成 Window Regulator Assembly LH			
	6104A1-010	1	右玻璃升降器总成 Window Regulator Assembly RH			
2	Q150B0616	18	六角头螺栓 Hexagon Head Bolt			
	Q40106	18	平垫圈 Plate Washer			
	Q40306	18	弹簧垫圈 Spring Washer			
3	61B-03081/82	1/1	左 / 右车门玻璃导轨下段总成 Door Window Rail Lower Assembly LH/RH			
	61B-03082	2	车门玻璃导轨下段总成 Door Window Rail Lower Assembly			
4	61B-07035/36	2	左 / 右门玻璃导轨密封条 Door Window Rail Weather-Strip LH/RH			
5	Q2140620	8	十字槽螺钉 Cross Recessed Screw			
6	Q40306	8	弹簧垫圈 Spring Washer			
7	Q40206	8	大垫圈 Big Washer			
8	61A-03017	4	玻璃夹片 Window Clamp			
9	Q150B0620	4	六角头螺栓 Hexagon Head Bolt			
10	Q32006	4	六角法兰面螺母 Hexagon Nut With Flange			

车门导轨升降器 / DOOR RAIL REGULATOR

61-B



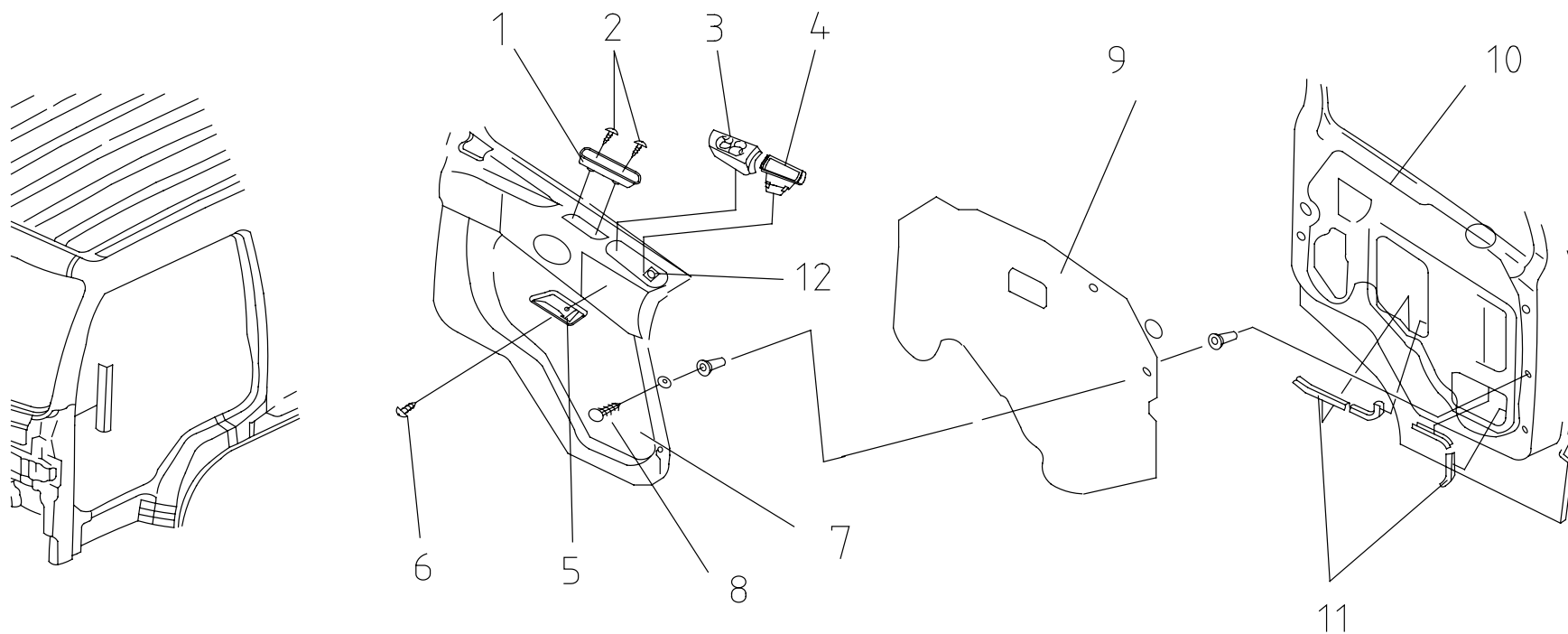
车门系统 / DOOR SYSTEM

61-8

序号 No.	件号 Part No.	数量 Quantity	名称 Name	规格 Specification	适用产品 Products Applied	备注 Remark
11	61B-03070/75	1/1	左 / 右车门玻璃导轨总成 Door Window Rail Assembly LH/RH			
12	Q2360616	4	十字槽组合螺钉 Cross Recessed Combination Screw			
13	Q40206	2	大平垫 Big Plate Washer			
	Q40306	2	弹簧垫圈 Spring Washer			
14	Q2140512	2	十字槽盘头螺钉 Cross Recessed Pan Head Screw			

车门内护板 / DOOR INSIDE PROTECTING PLATE

61-C



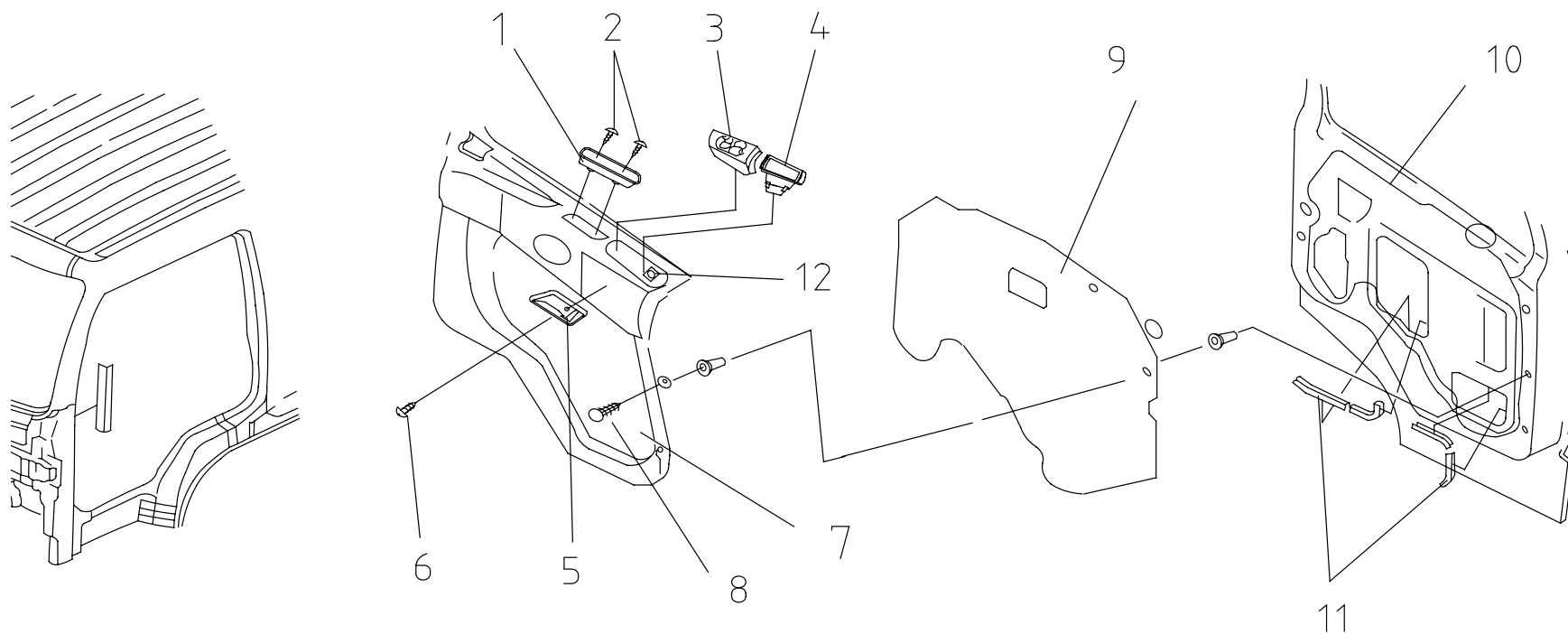
车门系统 / DOOR SYSTEM

61-10

序号 No.	件号 Part No.	数量 Quantity	名称 Name	规格 Specification	适用产品 Products Applied	备注 Remark
1	61A-02027	1	左车门内把手 Door Inside Handle LH			
	61A-02028	1	右车门内把手 Door Inside Handle RH			
2	Q2734816	4	十字槽大半圆头自攻螺钉 Cross Recessed Cup Head Self-Tapping Screw With Large Head			
3	61A1-02071/2	1	左 / 右门窗开关护罩 Door Window Switch Cover LH/RH		右驾系列 RHD Series	
	61AY-02071/2	1	左 / 右门窗开关护罩 Door Window Switch Cover LH/RH			
4	61A1-02059	1	左烟灰盒总成 Ash Tray Assembly LH			
	61A1-02060	1	右烟灰盒总成 Ash Tray Assembly RH			
	Q2734816	4	十字槽大半圆头自攻螺钉 Cross Recessed Cup Head Self-Tapping Screw With Large Head			
5	61A-02025	1	左车门手柄护罩 Door Window Handle Cover LH			
	61A-02026	1	右车门手柄护罩 Door Window Handle Cover RH			
6	Q2714216	2	十字槽盘头自攻螺钉 Cross Recessed Self-Tapping Screw			
7	61B1-02019/20	1/1	左 / 右车门护板 Door Protecting Plate LH/RH			
8	61B1-02023	16	塑料卡扣 Plastic Buckle			
	54B-02018	2	方型塑料螺母 A Square Plastic Nut A			

车门内护板 / DOOR INSIDE PROTECTING PLATE

61-C



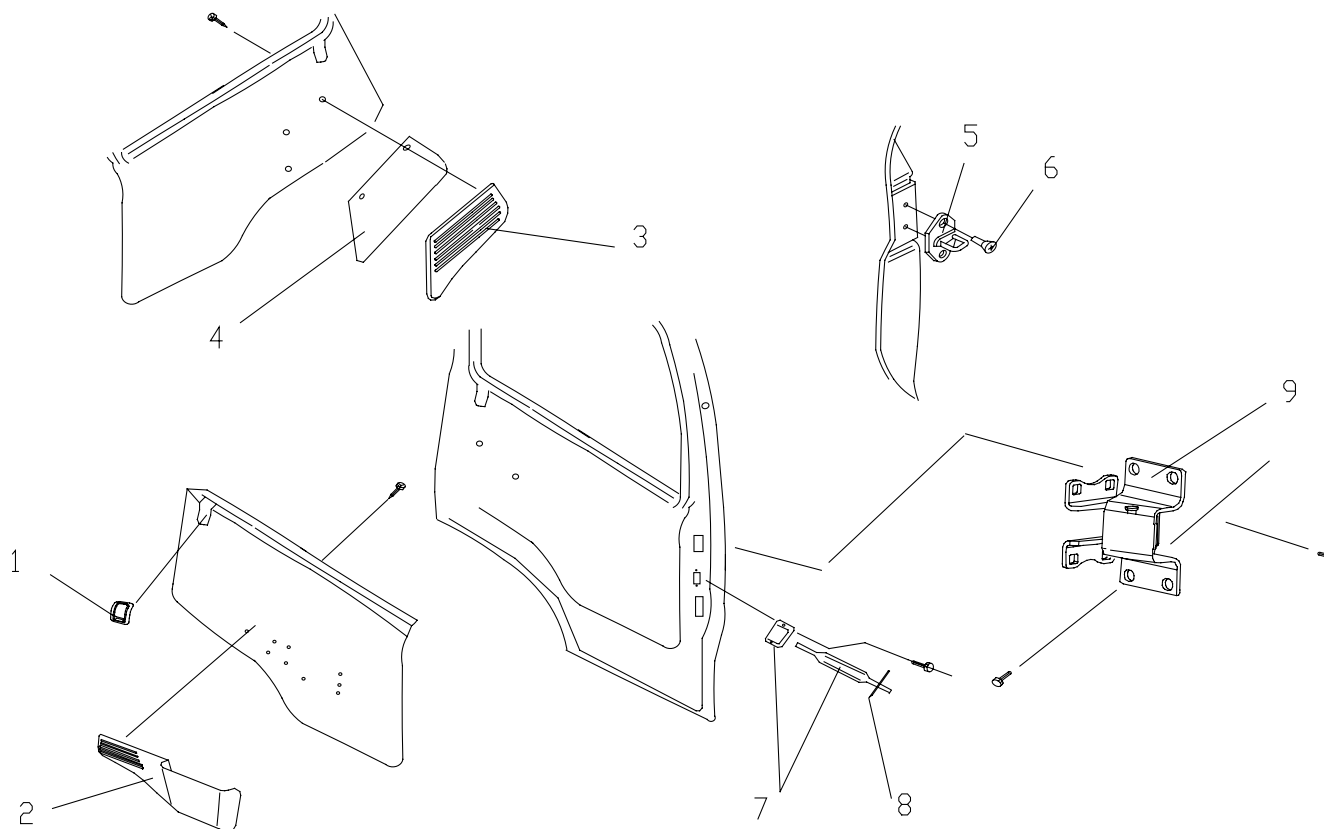
车门系统 / DOOR SYSTEM

61-12

序号 No.	件号 Part No.	数量 Quantity	名称 Name	规格 Specification	适用产品 Products Applied	备注 Remark
8	Q2734816	2	十字槽大半圆头自攻螺钉 Cross Recessed Cup Head Self-Tapping Screw With Large Head			
9	61B-07068	2	防水帘 Waterproof Shade			
10			LY-19 丁基胶带 LY-19 Butyl Tape			
11	61A-01070	8	棱边护套 Edge Protector			
12	51A-03042	4	小弹片螺母 Small Spring Nut			

车门铰链 / DOOR HINGE

61-D



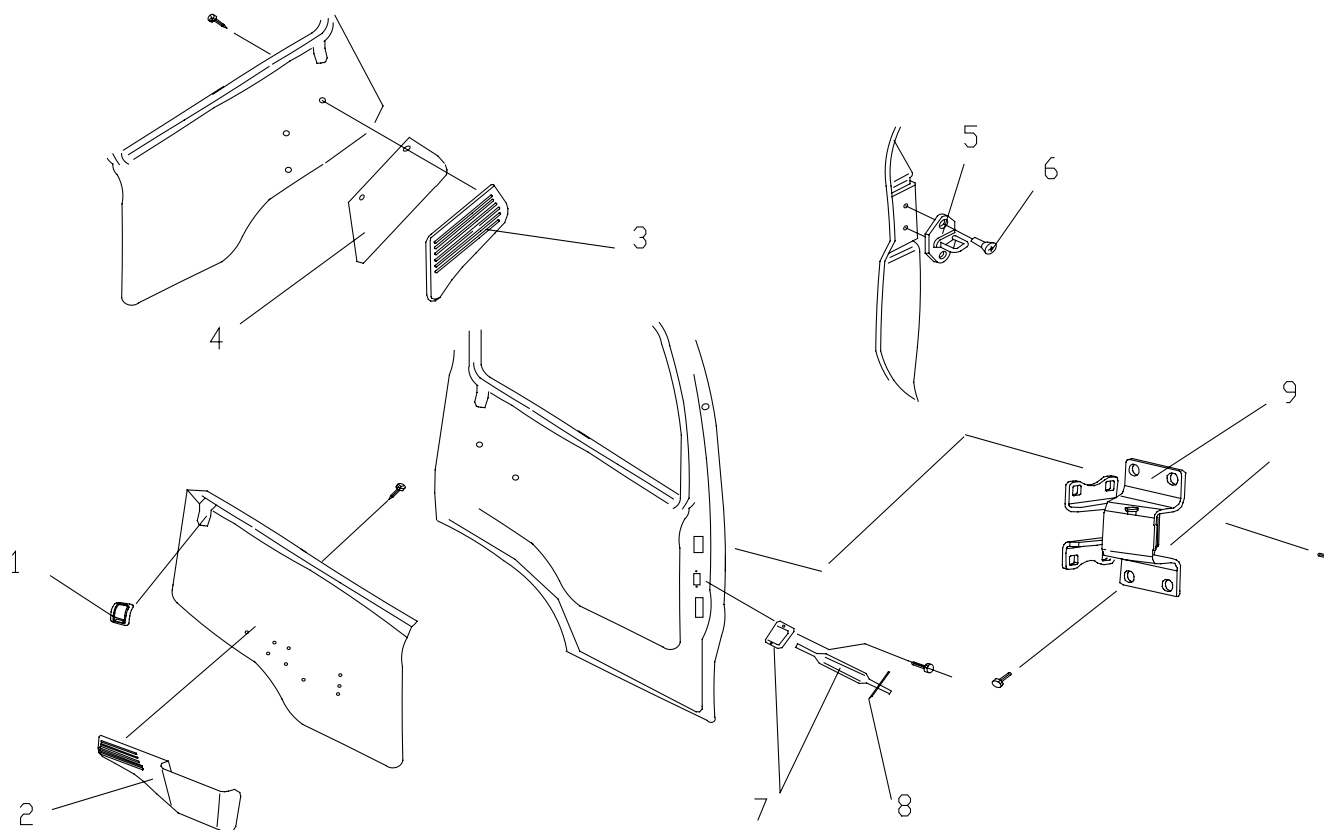
车门系统 / DOOR SYSTEM

61-14

序号 No.	件号 Part No.	数量 Quantity	名称 Name	规格 Specification	适用产品 Products Applied	备注 Remark
1	61A-02029	1	门锁按钮罩 - 左 Door Lock Knob Cover-LH			
	61A-02030	1	门锁按钮罩 - 右 Door Lock Knob Cover-RH			
2	61B1-02035	1	左门置物盒饰板 Door Storage Box Trim LH			
	61AY-02042	1	右门置物盒饰板 Door Storage Box Trim RH		右驾系列 RHD Series	
	Q2733595	9	十字槽大半圆头自攻螺钉 Cross Recessed Cup Head Self-Tapping Screw With Large Head			
3	61B1-02042	1	右通风口盖板 Vent Cover RH			
4	61B1-02044	1	橡胶片 - 右通风口盖板 Rubber Plate-Vent Cover RH			
	Q2733595	3	十字槽大半圆头自攻螺钉 Cross Recessed Cup Head Self-Tapping Screw With Large Head			
5	6105B-045	2	门锁锁钩总成 Door Lock Hook Assembly			
6	Q2340616	4	十字槽盘头外齿垫圈组合螺钉 Cross Recessed Pan Head Combination Screw With Toothed Washer			
7	6109B-010	2	门限位器总成 Door Check Assembly			
	Q1460616	4	六角头组合螺栓 Hexagon Head Combination Bolt			
8	61A-09021	2	弹性圆柱销 Spring Cylindrical Pin			
9	61B-06010	4	车门铰链总成 Door Hinge Assembly			

车门铰链 / DOOR HINGE

61-D



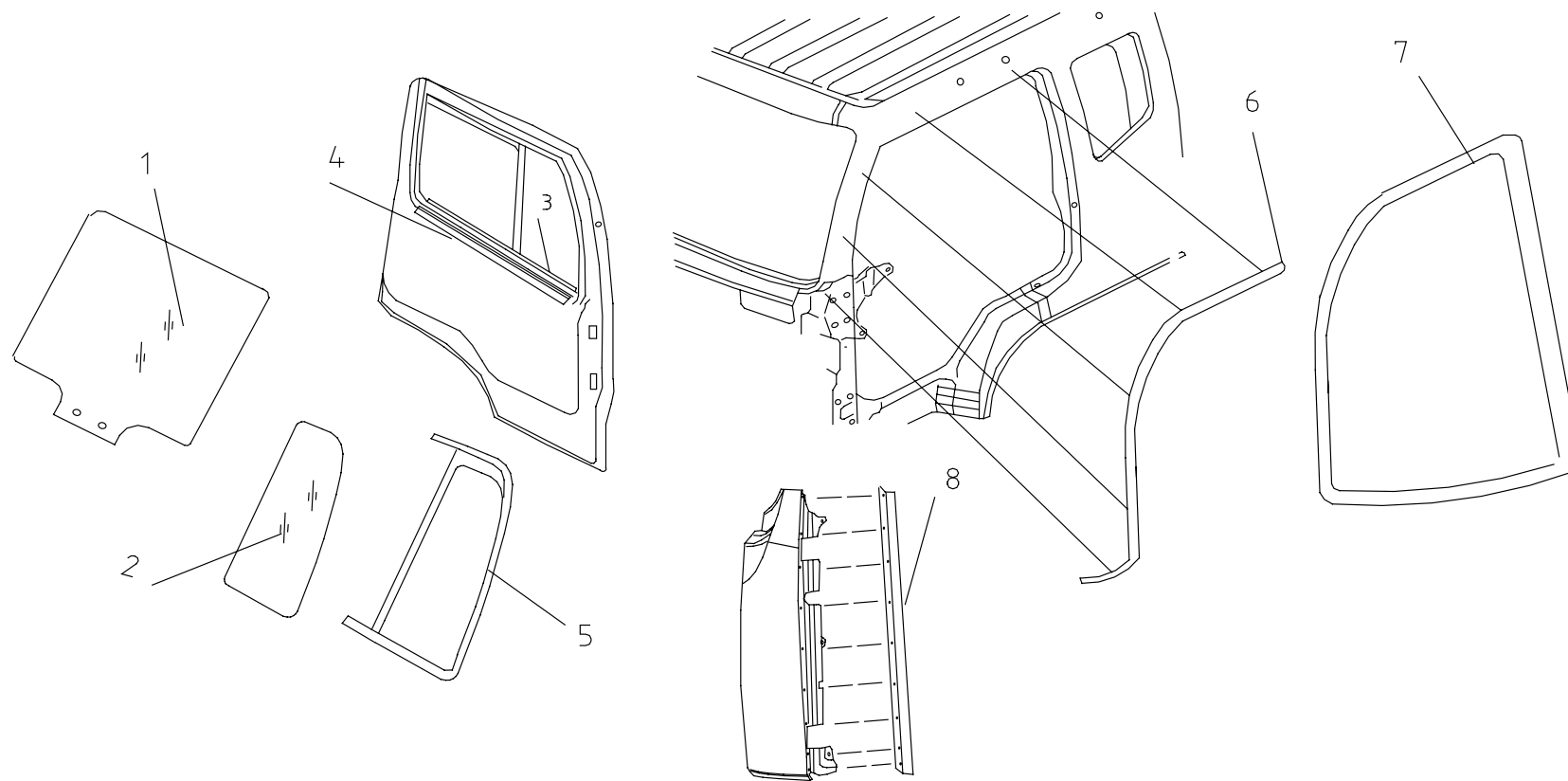
车门系统 / DOOR SYSTEM

61-16

序号 No.	件号 Part No.	数量 Quantity	名称 Name	规格 Specification	适用产品 Products Applied	备注 Remark
9	Q1460820	32	六角头组合螺栓 Hexagon Head Combination Bolt			

车门玻璃、密封条 / DOOR GLASS, WEATHER STRIP

61-E



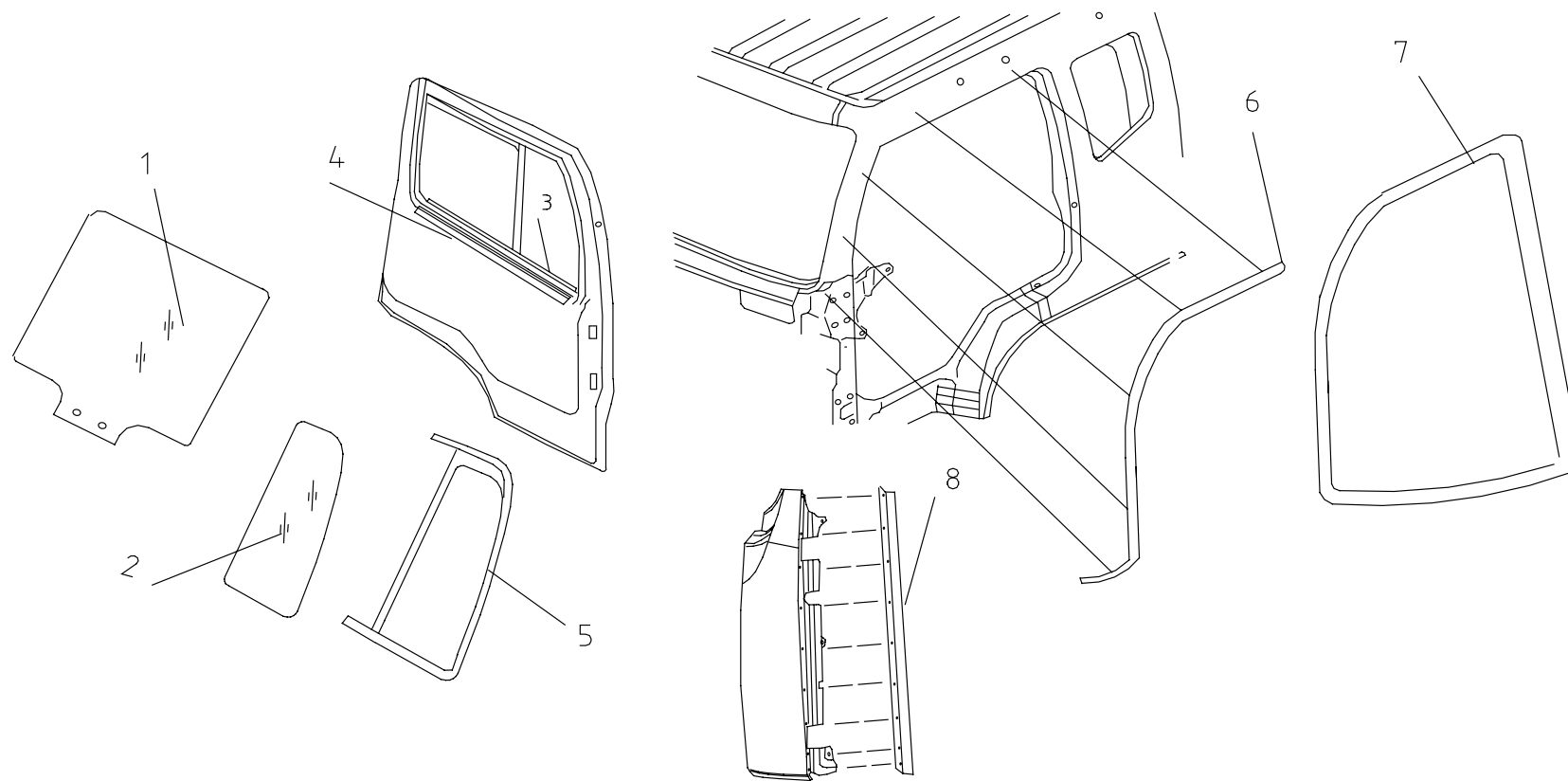
车门系统 / DOOR SYSTEM

61-18

序号 No.	件号 Part No.	数量 Quantity	名称 Name	规格 Specification	适用产品 Products Applied	备注 Remark
1	61B-03011	1	左车门玻璃 Door Glass LH			
	61B-03012	1	右车门玻璃 Door Glass RH			
2	61B1-03061	1	左三角窗玻璃 Quarter Window Glass LH			
	61B1-03062	1	右三角窗玻璃 Quarter Window Glass RH			
3	61B-07015	1	左门窗台外密封条总成 Window Ouer Weather Strip Assembly LH			
	61B-07016	1	右门窗台外密封条总成 Window Ouer Weather Strip Assembly RH			
4	61B-07025	1	左门窗台内密封条总成 Window Inner Weather Strip Assembly LH			
	61B-07026	1	右门窗台内密封条总成 Window Inner Weather Strip Assembly RH			
5	61B1-07045	1	左三角窗密封条 Quarter Window Weather Strip LH			
	61B1-07046	1	右三角窗密封条 Quarter Window Weather Strip RH			
6	61B-07061	1	左门框上密封条总成 Door Frame Upper Weather Strip Assembly LH			
	61B-07062	1	右门框上密封条总成 Door Frame Upper Weather Strip Assembly RH			
7	61B-07055	1	左门框密封条总成 Door Frame Weather Strip Assembly LH			
	61B-07056	1	右门框密封条总成 Door Frame Weather Strip Assembly RH			

车门玻璃、密封条 / DOOR GLASS, WEATHER STRIP

61-E



车门系统 / DOOR SYSTEM

61-20

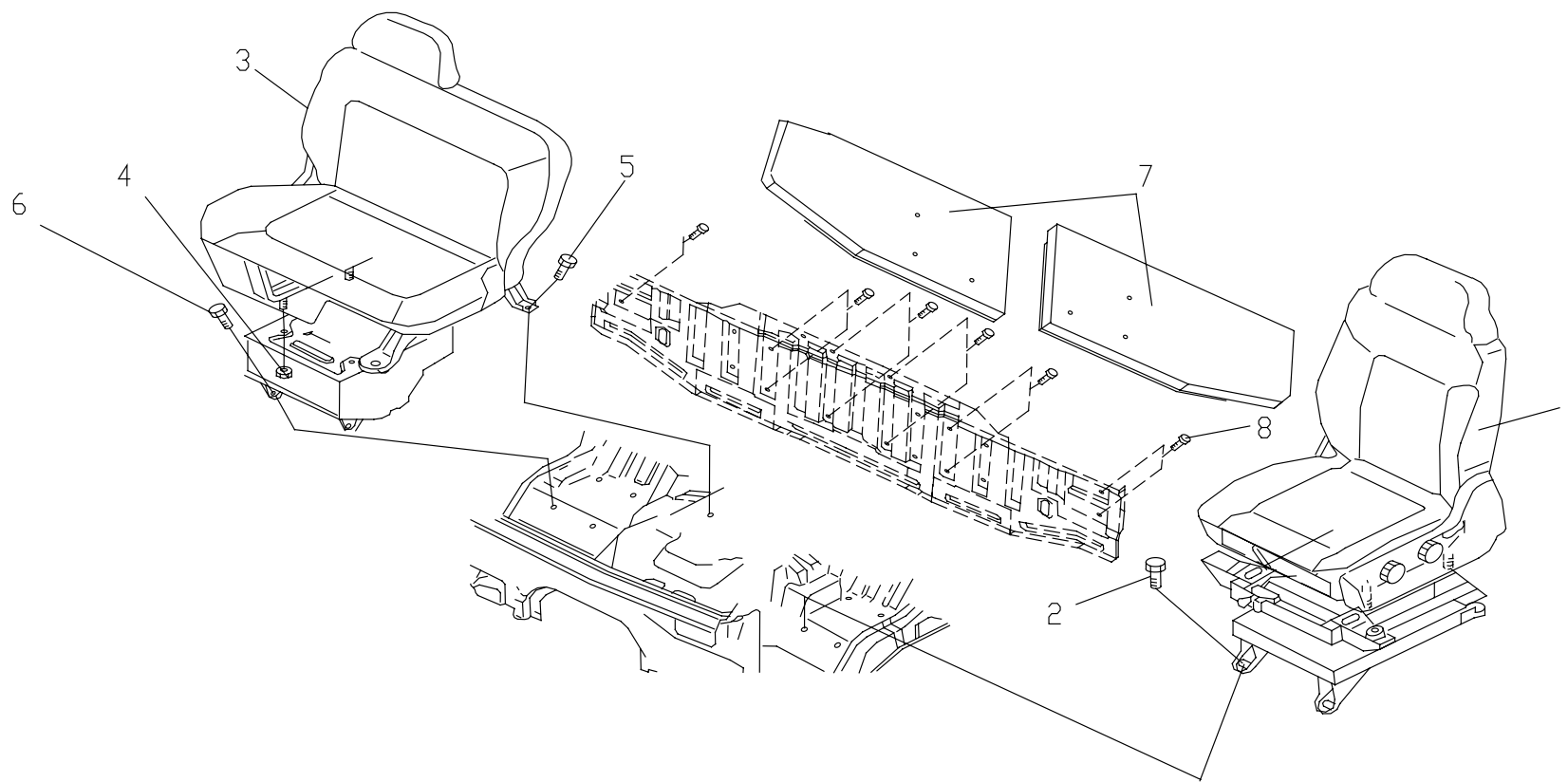
序号 No.	件号 Part No.	数量 Quantity	名称 Name	规格 Specification	适用产品 Products Applied	备注 Remark
8	61B-07065	1	左门框下密封条总成 Door Frame Lower Weather Strip Assembly LH			
	61B-07066	1	右门框下密封条总成 Door Frame Lower Weather Strip Assembly RH			

68

座椅、卧铺系统
SEAT, SLEEPING
BERTH SYSTEM

座椅、卧铺 / SEAT, SLEEPING BERTH

68-A



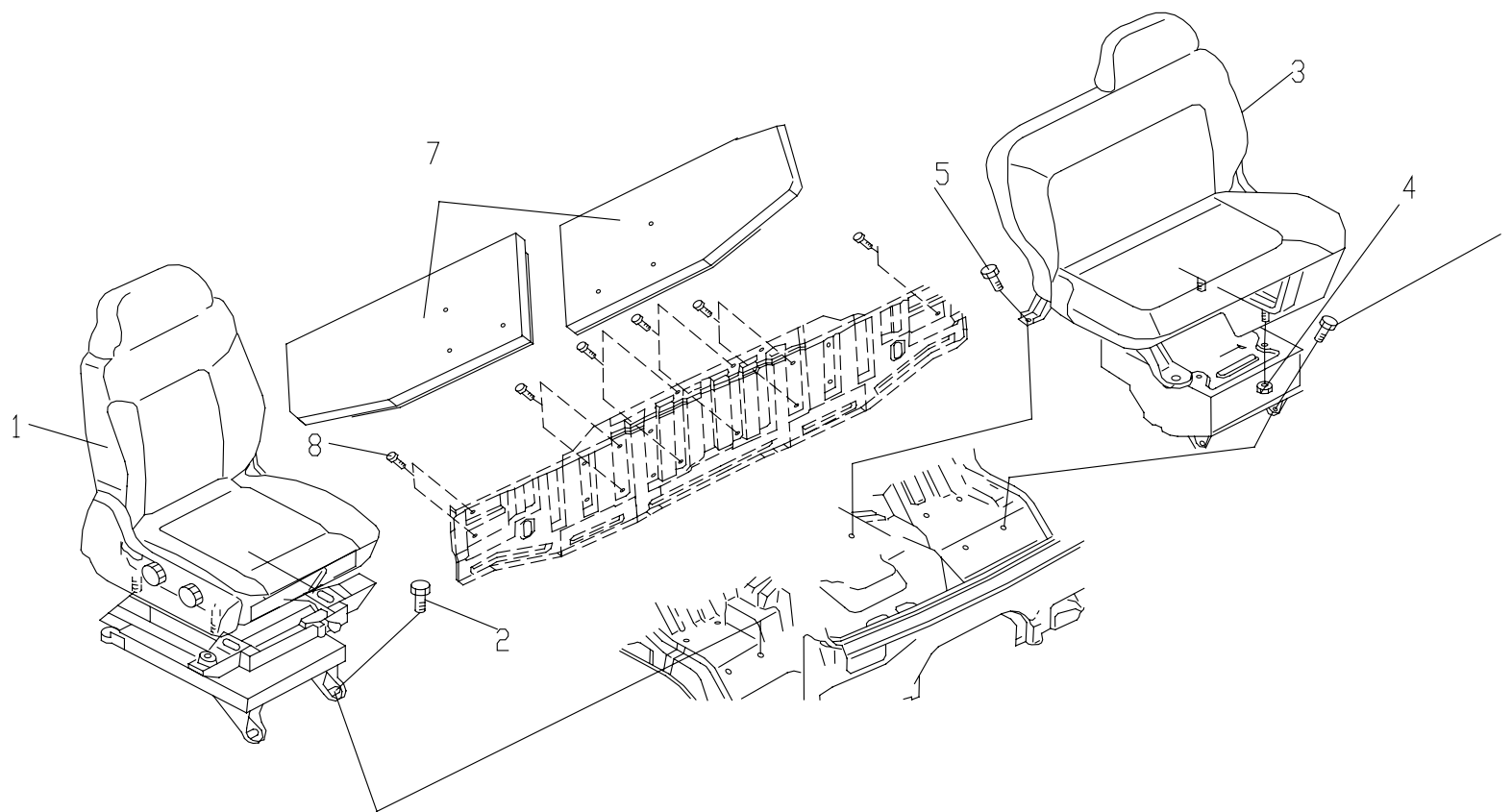
座椅、卧铺系统 / SEAT, SLEEPING BERTH SYSTEM

68-2

序号 No.	件号 Part No.	数量 Quantity	名称 Name	规格 Specification	适用产品 Products Applied	备注 Remark
1	6800A-001	1	司机座椅总成 Driver Seat Assembly			
2	Q1461030	4	六角头组合螺栓 Hexagon Head Combination Bolt			
3	6900A-001	1	乘客座椅总成 Passenger Seat Assembly			
	6900A5-001	1	乘客座椅总成 Passenger Seat Assembly		窄体系列 Narrow Cab Series	
4	Q340B08	2	I型六角螺母 Hexagon Full Nut			
5	Q1460825	2	六角头组合螺栓 Hexagon Head Combination Bolt			
6	Q1461030	4	六角头组合螺栓 Hexagon Head Combination Bolt			
7	70A-00001	1	卧铺装置总成 Sleeping Berth Unit Assembly			
	70A5-00001	1	卧铺装置总成 Sleeping Berth Unit Assembly		窄体系列 Narrow Cab Series	
8	Q1460816	12	六角头组合螺栓 Hexagon Head Combination Bolt			

座椅、卧铺系统装置图 (右驾系列)
SEAT, SLEEPING BERTH SYSTEM (RHD SERIES)

68-B



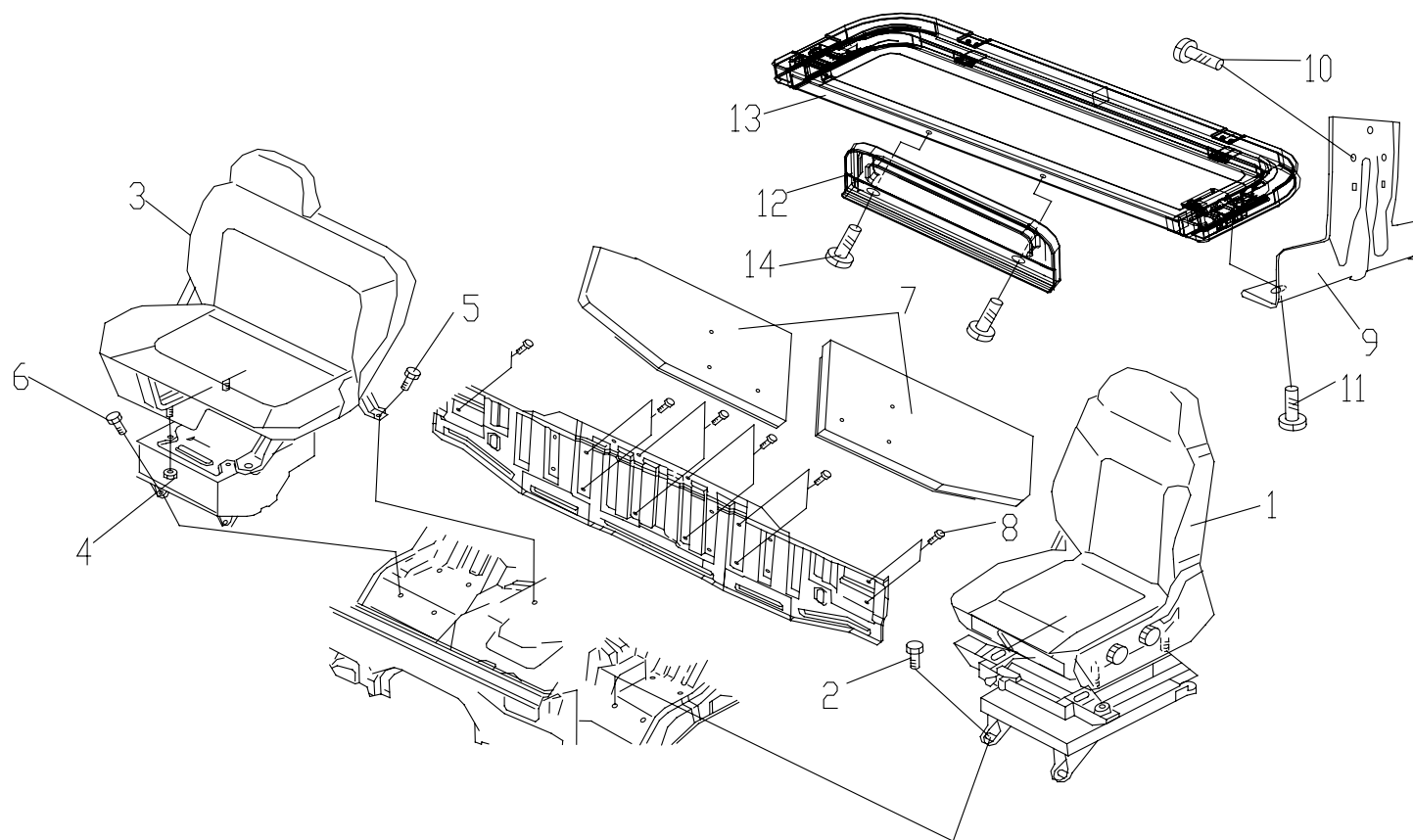
座椅、卧铺系统 / SEAT, SLEEPING BERTH SYSTEM

68-4

序号 No.	件号 Part No.	数量 Quantity	名称 Name	规格 Specification	适用产品 Products Applied	备注 Remark
1	6800Y-001	1	司机座椅总成 Driver Seat Assembly		右驾系列 RHD Series	
2	Q1461030	4	六角头组合螺栓 Hexagon Head Combination Bolt			
3	6900Y-001	1	乘客座椅总成 Passenger Seat Assembly		右驾系列 RHD Series	
4	Q340B08	2	I型六角螺母 Hexagon Full Nut			
5	Q1460825	2	六角头组合螺栓 Hexagon Head Combination Bolt			
6	Q1461030	4	六角头组合螺栓 Hexagon Head Combination Bolt			
7	70A-00001	1	卧铺装置总成 Sleeping Berth Unit Assembly			
8	Q1460816	12	六角头组合螺栓 Hexagon Head Combination Bolt			

座椅、卧铺系统 / SEAT, SLEEPING BERTH SYSTEM

68-C



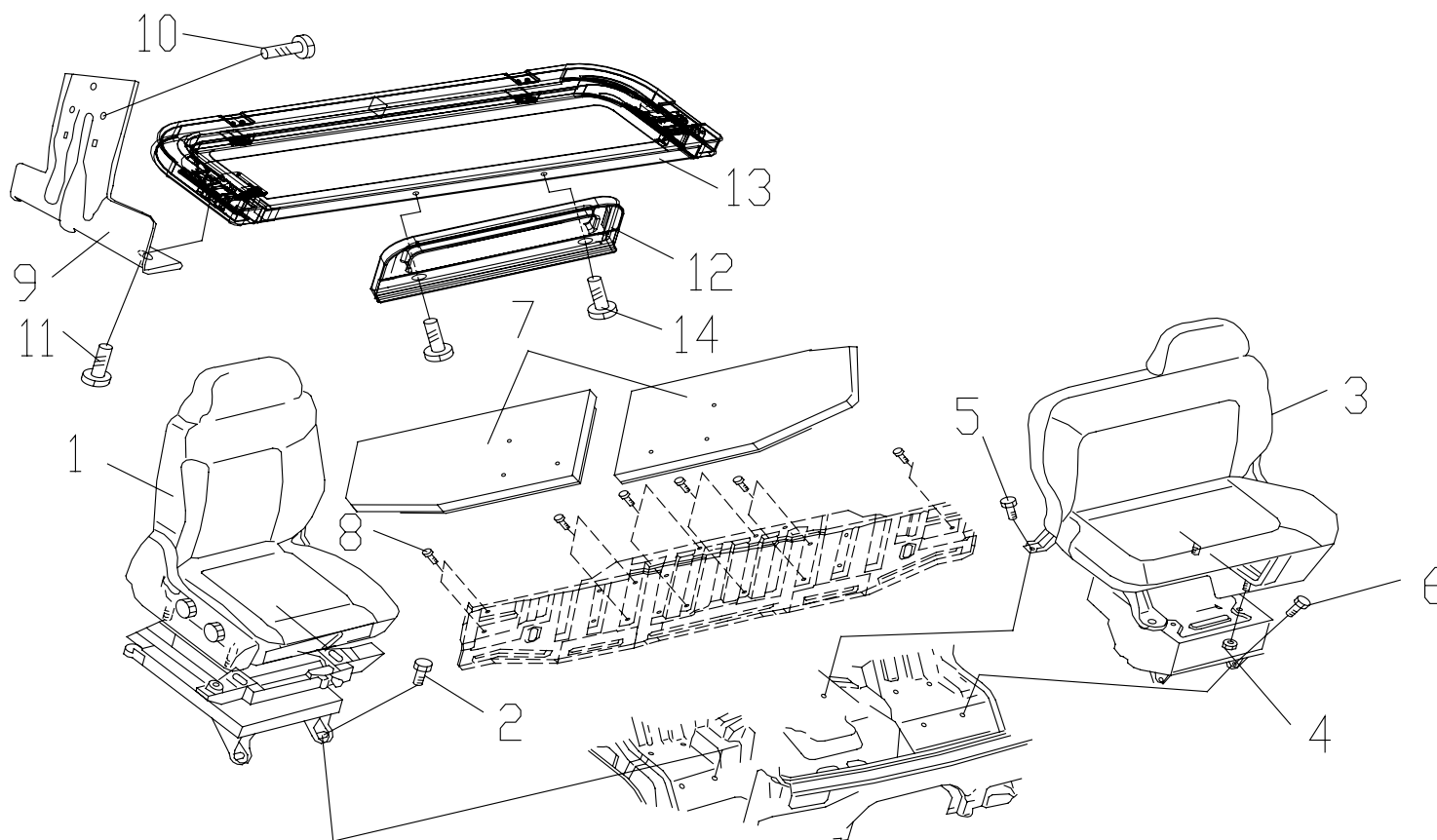
座椅、卧铺系统 / SEAT, SLEEPING BERTH SYSTEM

68-6

序号 No.	件号 Part No.	数量 Quantity	名称 Name	规格 Specification	适用产品 Products Applied	备注 Remark
1	6800A-001	1	司机座椅总成 Driver Seat Assembly		68-C 部分为高顶驾驶室专用 68-C Only For High Roof Cab	
2	Q1461030	4	六角头组合螺栓 Hexagon Head Combination Bolt			
3	6900A-001	1	乘客座椅总成 Passenger Seat Assembly			
4	Q340B08	2	I 型六角螺母 Hexagon Full Nut			
5	Q1460825	2	六角头组合螺栓 Hexagon Head Combination Bolt			
6	Q1461030	4	六角头组合螺栓 Hexagon Head Combination Bolt			
7	70A-00001	1	卧铺装置总成 Sleeping Berth Unit Assembly			
8	Q1460816	12	六角头组合螺栓 Hexagon Head Combination Bolt			
9	70G-00061	2	托架 - 上卧铺 Tray-Upper Sleeping Berth			
10	Q1460825	6	六角头组合螺栓 Hexagon Head Combination Bolt			
11	Q1460820	4	六角头组合螺栓 Hexagon Head Combination Bolt			
12	70G-00055	1	护栏 - 上卧铺 Guard Bar -Upper Sleeping Berth			
13	70G-00050	1	卧铺总成 Sleeping Berth Assembly			
14	Q1460825	2	六角头组合螺栓 Hexagon Head Combination Bolt			

座椅、卧铺系统 (右驾系列) / SEAT, SLEEPING BERTH SYSTEM (RHD SERIES)

68-D



座椅、卧铺系统 / SEAT, SLEEPING BERTH SYSTEM

68-8

序号 No.	件号 Part No.	数量 Quantity	名称 Name	规格 Specification	适用产品 Products Applied	备注 Remark
1	6800Y-001	1	司机座椅总成 Driver Seat Assembly		右驾系列 RHD Series	
2	Q1461030	4	六角头组合螺栓 Hexagon Head Combination Bolt			
3	6900Y-001	1	乘客座椅总成 Passenger Seat Assembly		右驾系列 RHD Series	
4	Q340B08	2	I型六角螺母 Hexagon Full Nut			
5	Q1460825	2	六角头组合螺栓 Hexagon Head Combination Bolt			
6	Q1461030	4	六角头组合螺栓 Hexagon Head Combination Bolt			
7	70A-00001	1	卧铺装置总成 Sleeping Berth Unit Assembly			
8	Q1460816	12	六角头组合螺栓 Hexagon Head Combination Bolt			
9	70G-00061	2	托架 - 上卧铺 Tray-Upper Sleeping Berth			
10	Q1460825	6	六角头组合螺栓 Hexagon Head Combination Bolt			
11	Q1460820	4	六角头组合螺栓 Hexagon Head Combination Bolt			
12	70G-00055	1	护栏 - 上卧铺 Guard Bar -Upper Sleeping Berth			
13	70G-00050	1	卧铺总成 Sleeping Berth Assembly			
14	Q1460825	2	六角头组合螺栓 Hexagon Head Combination Bolt			

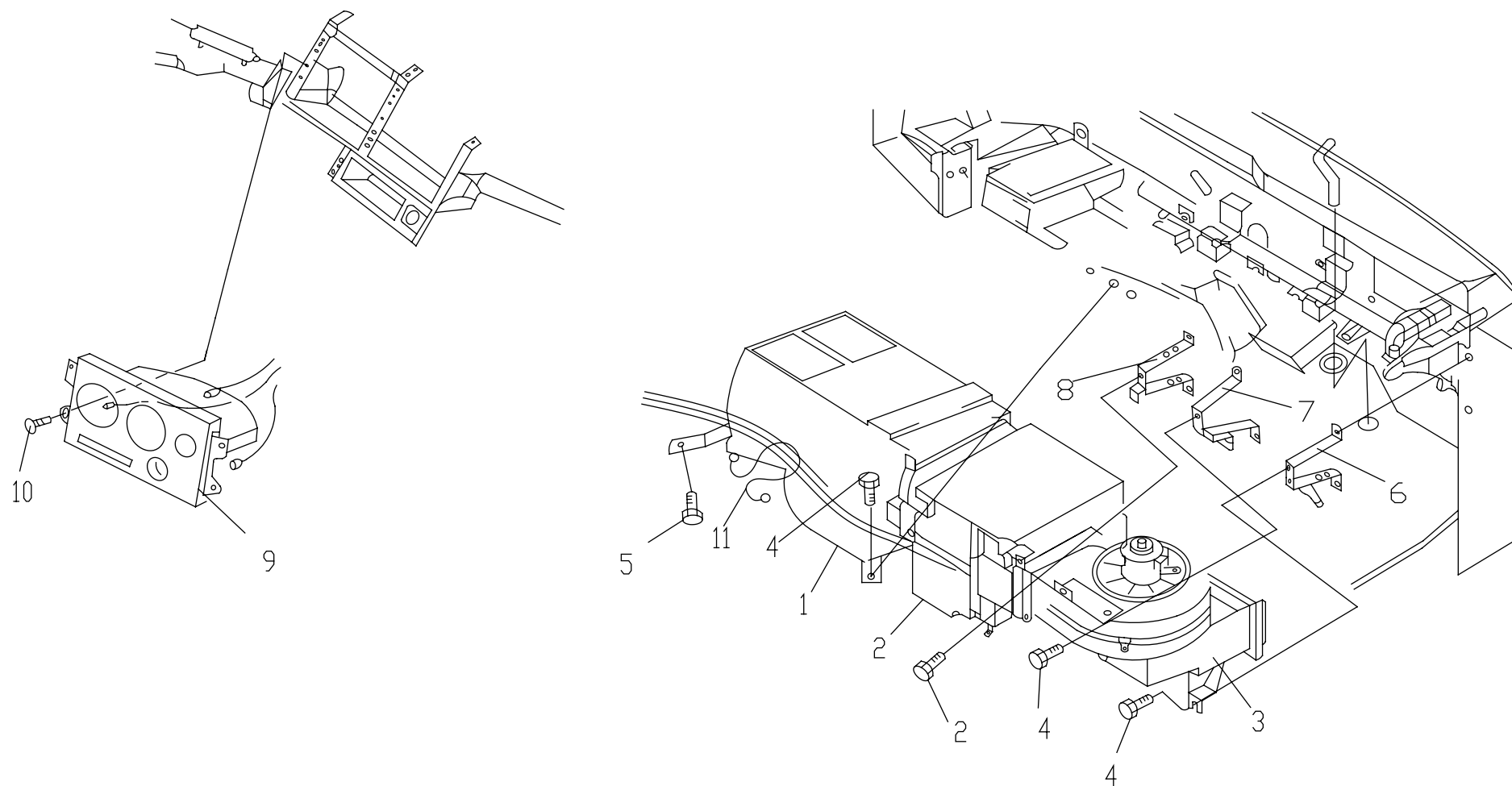
81

空气调节系统

**AIR CONDITIONING
SYSTEM**

控制面板、三箱体 / CONTROL PANEL, THREE-BOX BODY

81-A

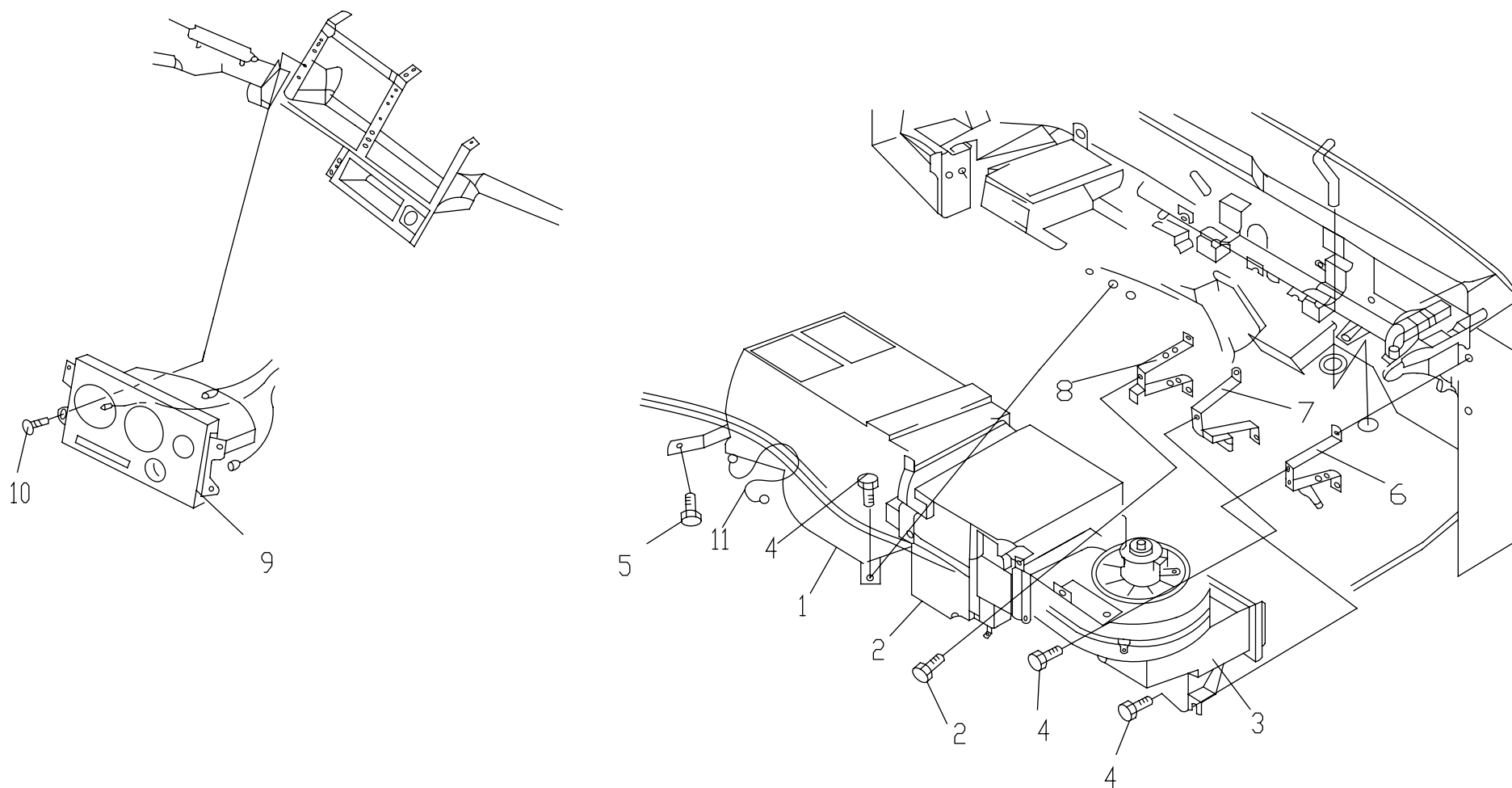


序号 No.	件号 Part No.	数量 Quantity	名称 Name	规格 Specification	适用产品 Products Applied	备注 Remark
1	81A4D-01010	1	暖风机总成 Heater Assembly			
	81A5-01010	1	暖风机总成 Heater Assembly		窄体系列 Narrow Cab Series	
2	8107A4D-010	1	蒸发器总成 Evaporation Assembly		空调用 Air Conditioning	
	8107A7DZ-010	1	蒸发器总成 Evaporation Assembly		仅独立暖风用 Only For Independent Heater	
	8107A5-010	1	蒸发器总成 Evaporation Assembly		窄体系列 Narrow Cab Series	
3	37A4D-44010	1	鼓风机总成 - 带拉丝及新风口 Blower Assembly-W/Wire Drawing And New Air Door			
	37A5-44010	1	鼓风机总成 - 带拉丝及新风口 Blower Assembly-W/Wire Drawing And New Air Door		窄体系列 Narrow Cab Series	
4	Q1460820	4	六角头弹平垫组合螺栓 Hexagon Head Combination Bolt With Spring And Plate Washer			
5	Q1460816	1	六角头弹平垫组合螺栓 Hexagon Head Combination Bolt With Spring And Plate Washer			
6	53A-01315	1	风箱支架总成 - I Air Box Bracket Assembly- I			
7	53A-01326	1	风箱支架总成 - II Air Box Bracket Assembly- II			
8	53A-01330	1	风箱支架总成 - III Air Box Bracket Assembly- III			
9	37A-44015	1	控制面板总成 Control Panel Assembly		空调用 Air Conditioning	
	37A7DZ -44015	1	控制面板总成 Control Panel Assembly		仅独立暖风用 Only For Independent Heater	



控制面板、三箱体 / CONTROL PANEL, THREE-BOX BODY

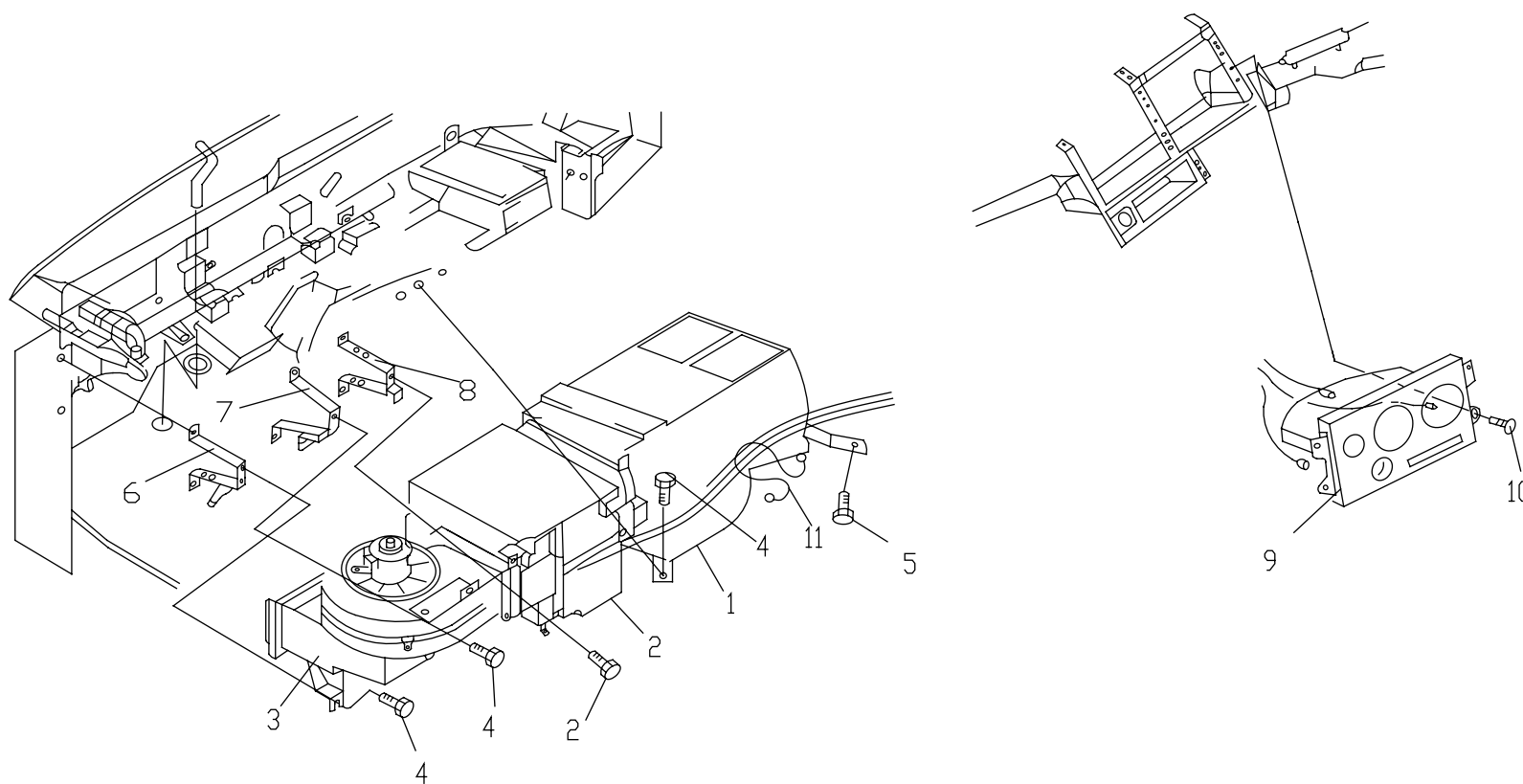
81-A



序号 No.	件号 Part No.	数量 Quantity	名称 Name	规格 Specification	适用产品 Products Applied	备注 Remark
9	37A-44015	1	控制面板总成 Control Panel Assembly		空调用 Air Conditioning	
	37A7DZ -44015	1	控制面板总成 Control Panel Assembly		仅独立暖风用 Only For Independent Heater	
	37A5-44015	1	控制面板总成 Control Panel Assembly		窄体系列 Narrow Cab Series	
10	Q2360412	4	组合螺钉 Combination Screw			
11	81A-01015	1	O型尼龙卡箍 O-Nylon Retaining Ring			

控制面板、三箱体（右驾系列）
CONTROL PANEL, THREE-BOX BODY (RHD SERIES)

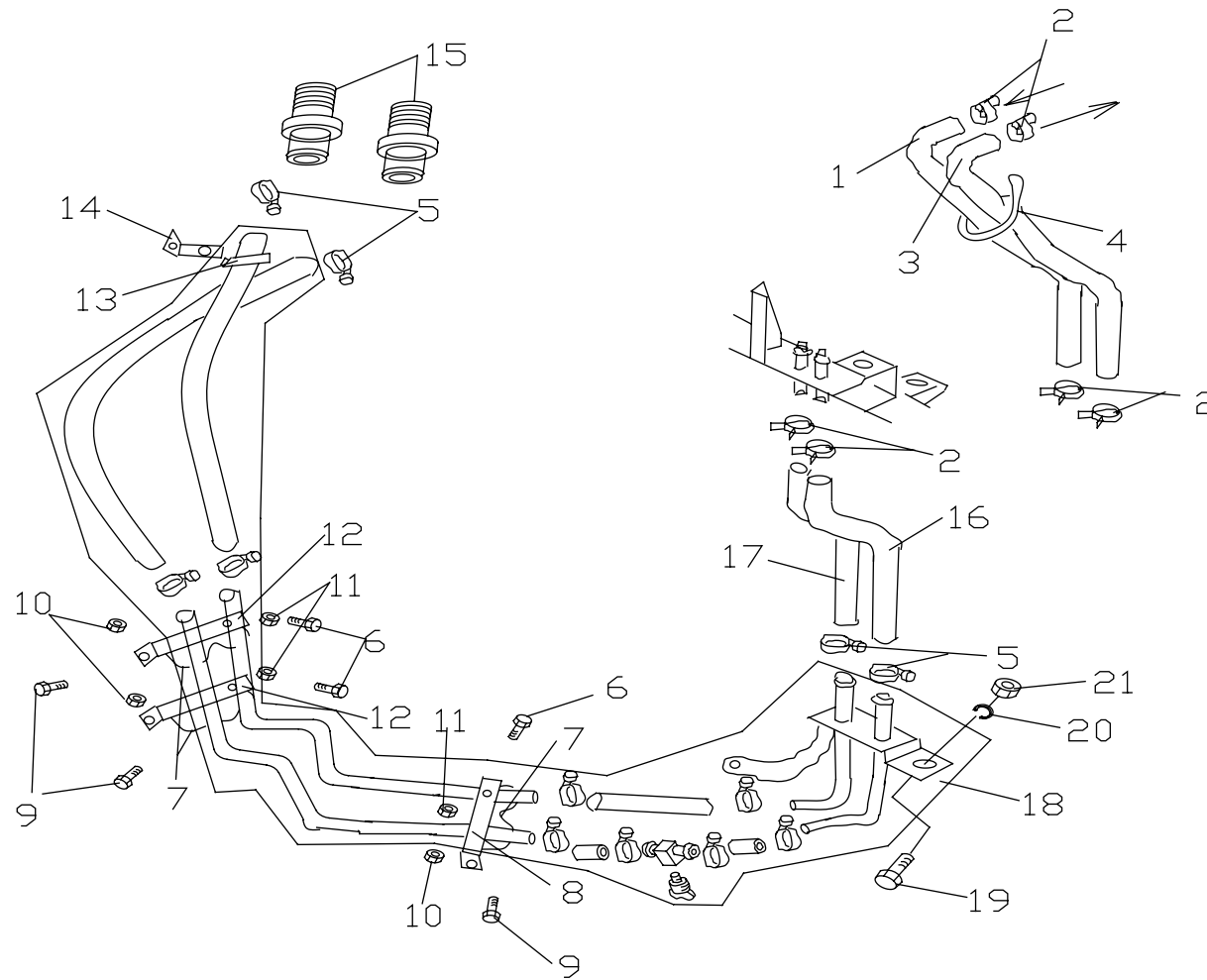
81-B



序号 No.	件号 Part No.	数量 Quantity	名称 Name	规格 Specification	适用产品 Products Applied	备注 Remark
1	81AY-01910	1	暖风机总成 Heater Assembly		右驾系列 RHD Series	
2	8107AY-910	1	蒸发器总成 Evaporation Assembly		右驾系列（空调用） RHD Series (For Air Conditioning)	
3	37AY-44910	1	鼓风机总成 - 带拉丝及新风口 Blower Assembly-W/Wire Drawing And New Air Door		右驾系列 RHD Series	
4	Q1460820	4	六角头弹平垫组合螺栓 Hexagon Head Combination Bolt With Spring And Plate Washer			
5	Q1460816	1	六角头弹平垫组合螺栓 Hexagon Head Combination Bolt With Spring And Plate Washer			
6	53AY-01315	1	风箱支架总成 - I Air Box Bracket Assembly- I		右驾系列 RHD Series	
7	53AY-01326	1	风箱支架总成 - II Air Box Bracket Assembly- II		右驾系列 RHD Series	
8	53A-01330	1	风箱支架总成 - III Air Box Bracket Assembly- III		右驾系列（空调用） RHD Series (For Air Conditioning)	
9	37AY-44015	1	控制面板总成 Control Panel Assembly			
10	Q2360412	4	组合螺钉 Combination Screw			
11	81A-01015	1	0 型尼龙卡箍 O-Nylon Retaining Ring			

暖风管路 / HEATER PIPELINE

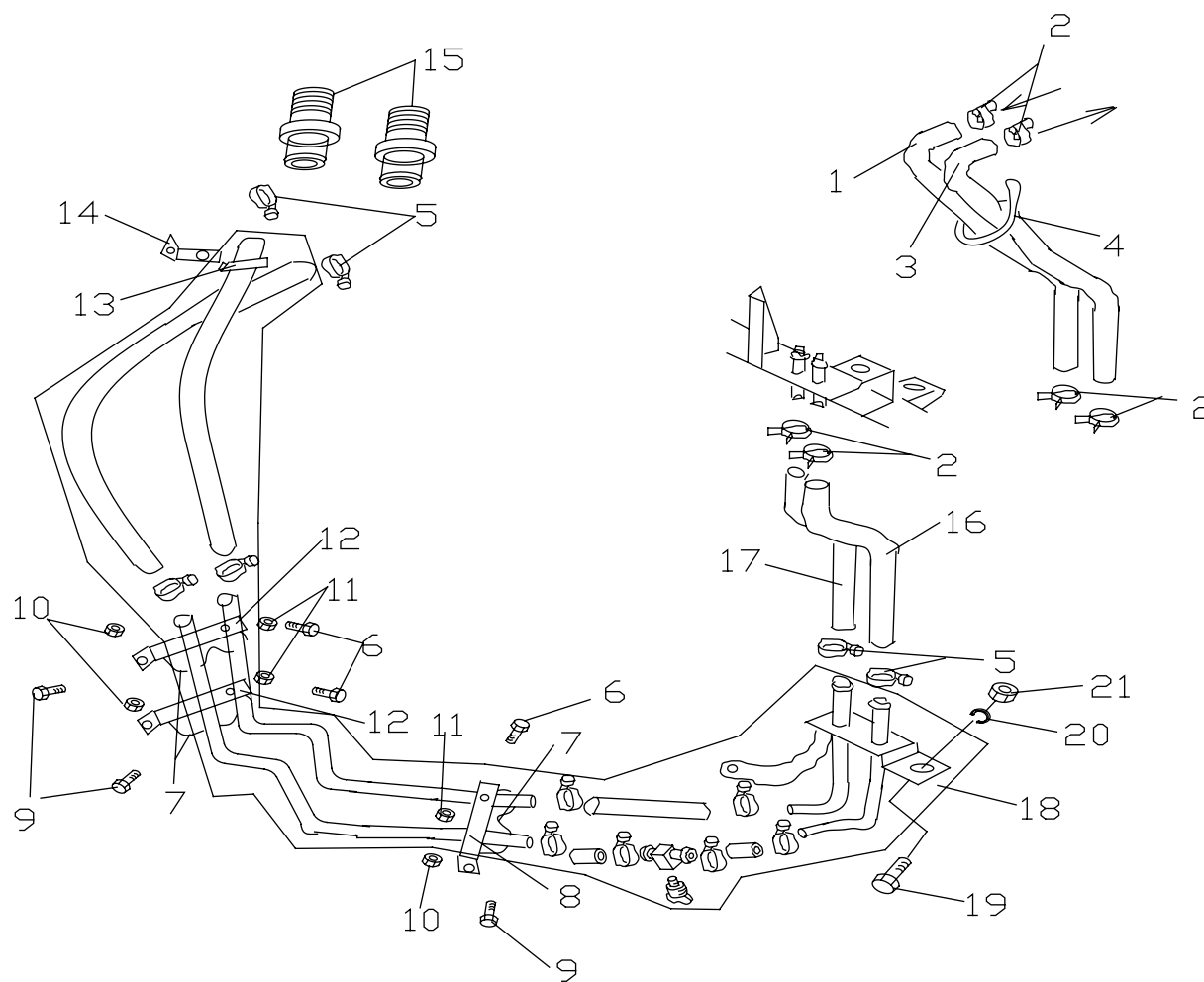
81-C



序号 No.	件号 Part No.	数量 Quantity	名称 Name	规格 Specification	适用产品 Products Applied	备注 Remark
1	81A4D-01028	1	暖风管出水官总成 - 接暖风机 Heater Water Outlet Pipe Assembly-To Heater		81-C 部分为康明斯系列发动机专用 81-C Only For CUMMINS Engine Series	
	81A5-01028	1	暖风管出水官总成 - 接暖风机 Heater Water Outlet Pipe Assembly-To Heater		窄体系列 Narrow Cab Series	
	81AY-01028	1	暖风管出水官总成 - 接暖风机 Heater Water Outlet Pipe Assembly-To Heater		右驾系列 RHD Series	
2	Q673B25	6	钢带式弹性环箍 Steel Strip Type Spring Snap Ring			
3	81A-01027	1	暖风管进水官总成 - 接暖风机 Heater Water Inlet Pipe Assembly-To Heater			
	81A5-01027	1	暖风管进水官总成 - 接暖风机 Heater Water Inlet Pipe Assembly-To Heater		窄体系列 Narrow Cab Series	
	81AY-01027	1	暖风管进水官总成 - 接暖风机 Heater Water Inlet Pipe Assembly-To Heater		右驾系列 RHD Series	
4	37AD-33042	1	扎带 Band			
5	Q67527	4	A 型蜗杆传动式软管环箍 A Type Worm Transmisson Hose Snap Ring			
6	Q1460620	3	六角头弹平垫组合螺栓 Hexagon Head Combination Bolt With Spring And Plate Washer			
7	81A-01026	3	双股管夹 Bifilar Tube Clamp			
8	11A4D-04051	1	支架 Bracket			
9	Q1460825	3	六角头弹平垫组合螺栓 Hexagon Head Combination Bolt With Spring And Plate Washer			
10	Q32008	3	六角法兰面螺母 Hexagonal Nut With Flange			

暖风管路 / HEATER PIPELINE

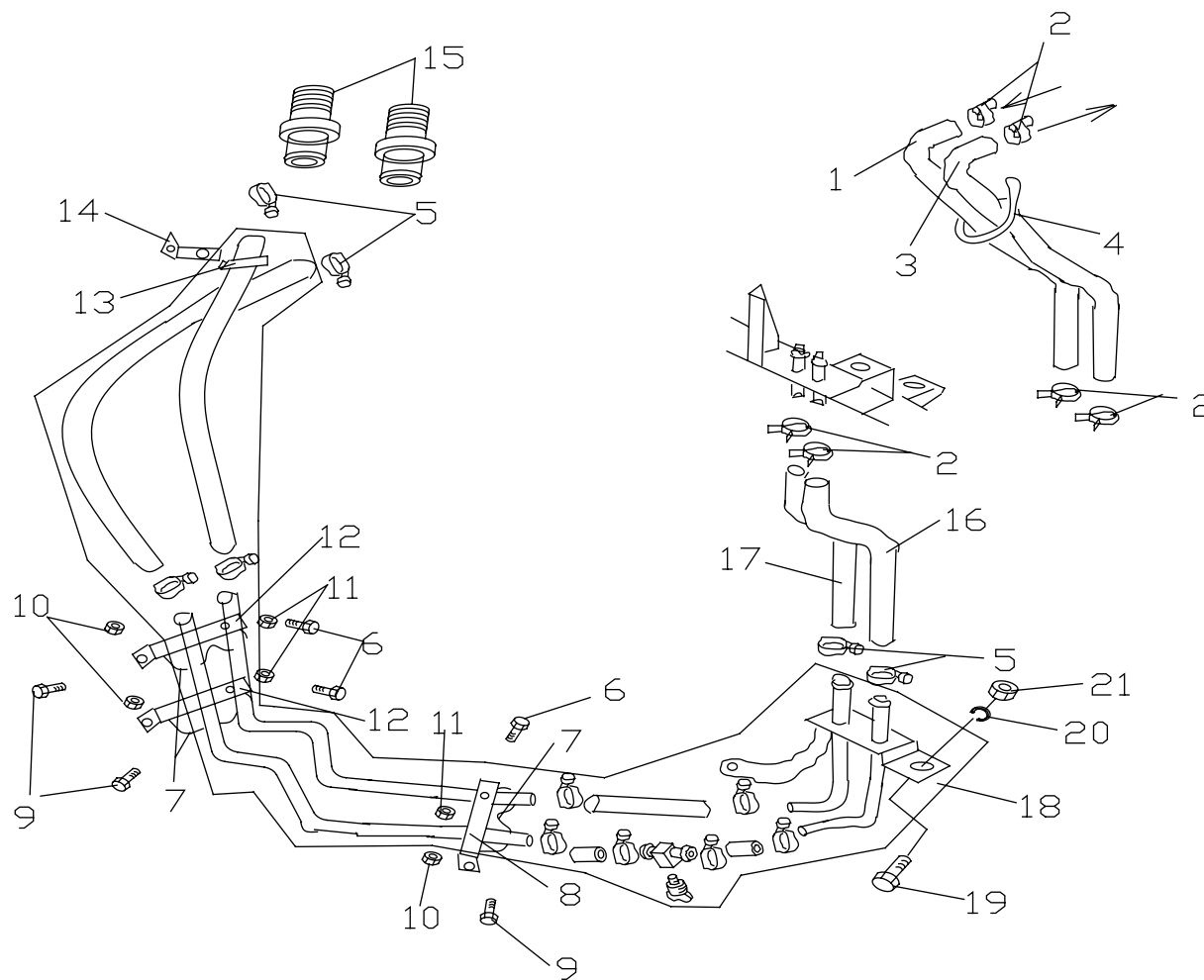
81-C



序号 No.	件号 Part No.	数量 Quantity	名称 Name	规格 Specification	适用产品 Products Applied	备注 Remark
11	Q340B06	3	六角头螺母 Hexagon Head Nut			
12	37AD-34007	2	支架 Bracket			
13	37AD-33012	1	塑料线卡 Plastic Wire Snap Ring			
14	37AD-34068	1	支架 Bracket			
15	81A4D-01021	2	暖风水管接头 Heater Water Pipe Connector			
16	81A3D-01030	1	进水过渡管总成 Water Inlet Transition Pipe Assembly			
	81AY -01030	1	进水过渡管总成 Water Inlet Transition Pipe Assembly		右驾康明斯系列发动机 CUMMINS Engine Series For RHD	
17	81A3D-01031	1	出水过渡管总成 Water Outlet Transition Pipe Assembly			
	81AY -01031	1	出水过渡管总成 Water Outlet Transition Pipe Assembly		右驾康明斯系列发动机 CUMMINS Engine Series For RHD	
18	81A4D-01025	1	暖风进出水管总成 Heater In- And Outlet Water Pipe Assembly			
	81AY-01025	1	暖风进出水管总成 Heater In- And Outlet Water Pipe Assembly		右驾系列 RHD Series	
19	Q150B0820	2	六角头螺栓 Hexagon Head Bolt			
20	Q40308	2	弹簧垫圈 Spring Washer			
21	Q340B08	2	六角头螺母 Hexagon Head Nut			

暖风管路 / HEATER PIPELINE

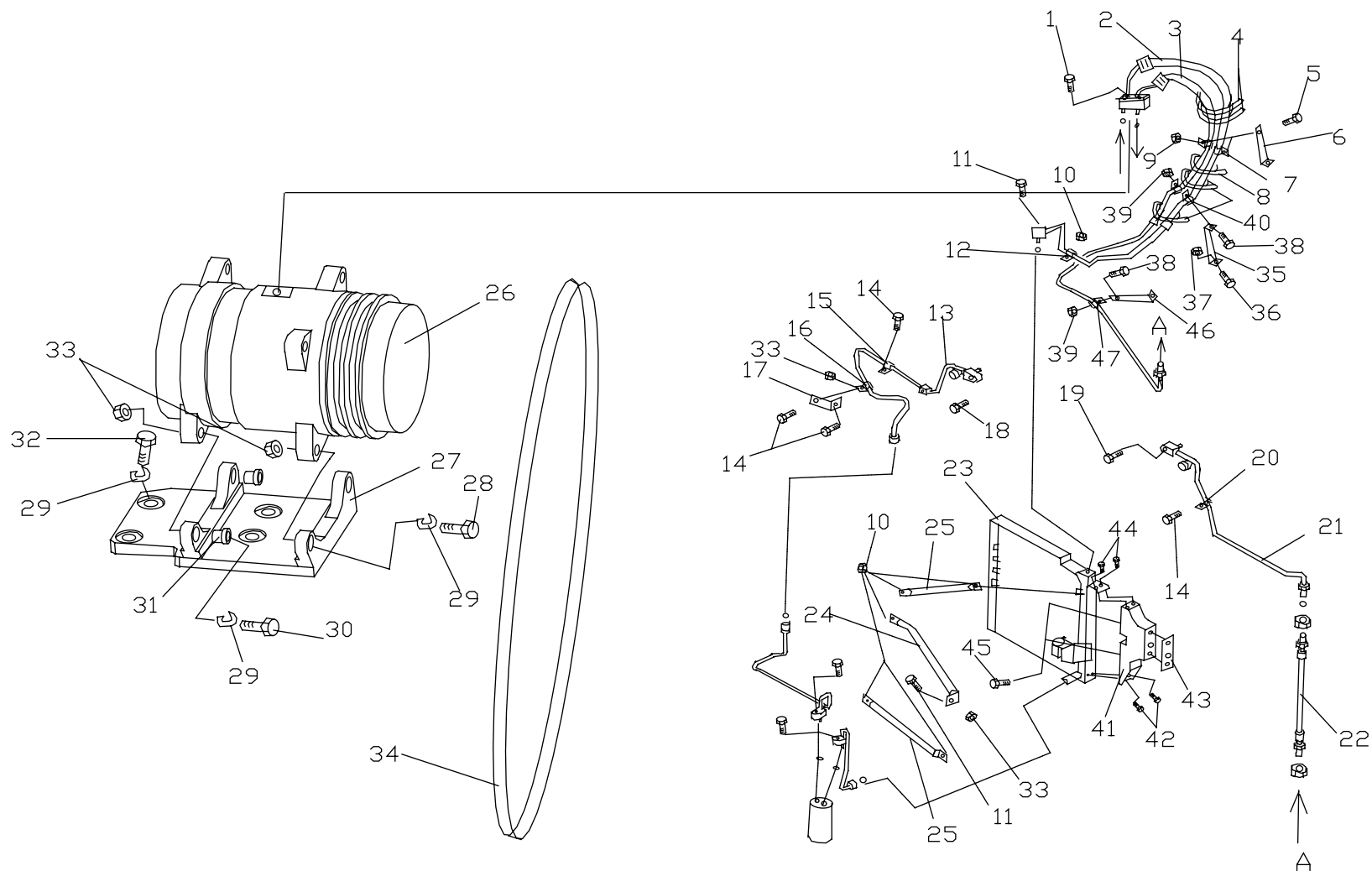
81-C



序号 No.	件号 Part No.	数量 Quantity	名称 Name	规格 Specification	适用产品 Products Applied	备注 Remark
21	37AD-33204	1	定位夹 Locating Clip			
	Q1460616	1	六角组合螺栓 Hexagon Combination Bolt			
	Q340B08	1	六角头螺母 Hexagon Head Nut			

压缩机、管路、冷凝器 / COMPRESSOR, PIPELINE, CONDENSER

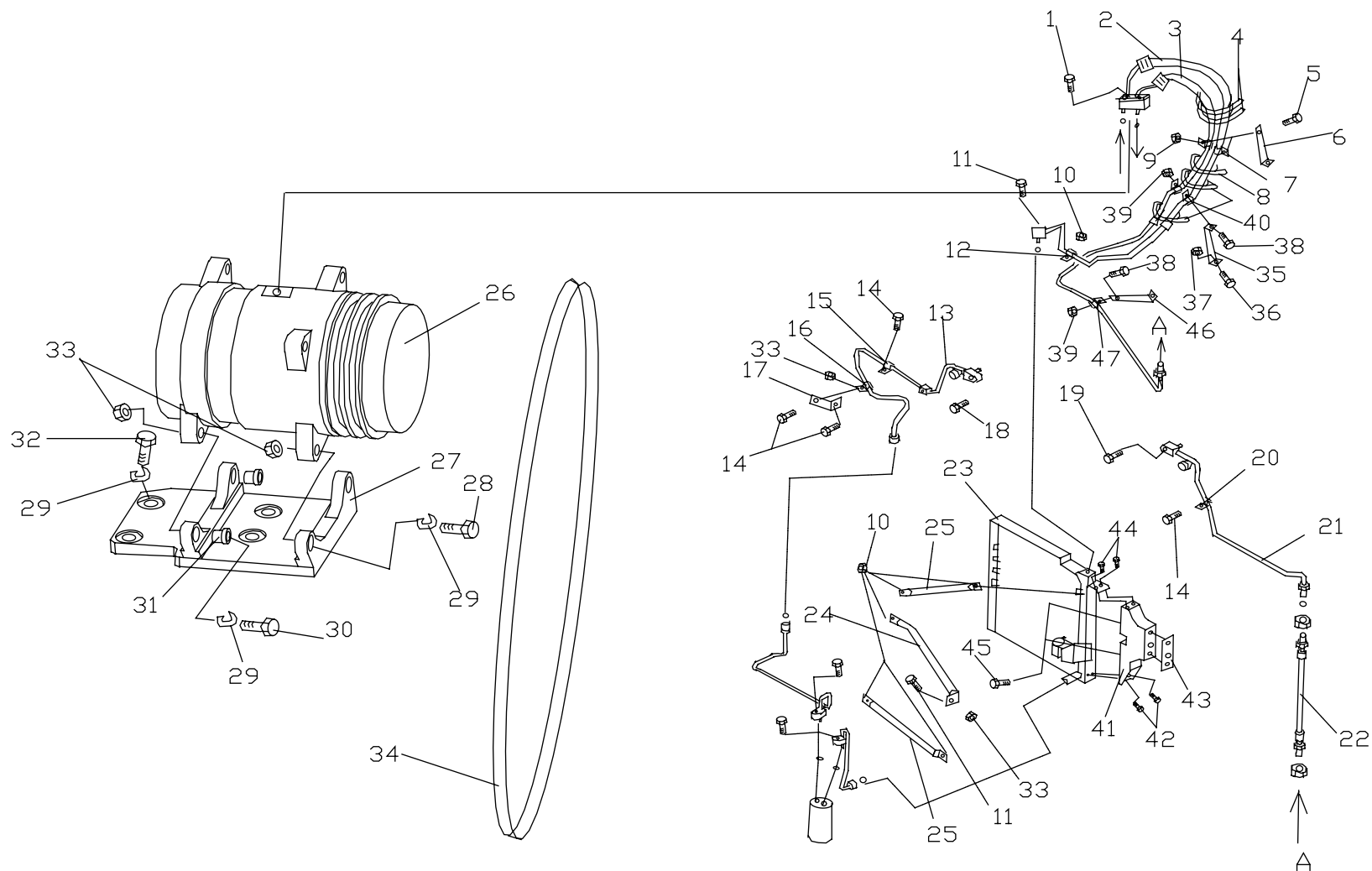
81-D



序号 No.	件号 Part No.	数量 Quantity	名称 Name	规格 Specification	适用产品 Products Applied	备注 Remark
1	HQ1841025	1	六角法兰面螺栓 - 细牙 Hexagon Bolt With Flange-Fine		81-D 部分为康明斯系列发动机空调选装备件 81-D AS A/C Options For CUMMINS Engine Series	
2	8108A4D-030	1	压 - 冷管路总成 Pressure-Cooling Pipeline Assembly		康明斯 C 系列发动机 CUMMINS C Series Engine	
	8108A18DQ -030	1	压 - 冷管路总成 Pressure-Cooling Pipeline Assembly		康明斯 L345、L375 发动机 CUMMINS L345, L375 Engine	
3	8108A4D-070	1	蒸 - 压管路总成III Evaporation-Pressure Pipeline Assembly III		康明斯 C 系列发动机 CUMMINS C Series Engine	
	8108A18DQ-070	1	蒸 - 压管路总成III Evaporation-Pressure Pipeline Assembly III		康明斯 L345、L375 发动机 CUMMINS L345, L375 Engine	
4	35AD-06333	2	扎带 Band			
5	Q1460620	2	六角头螺栓 Hexagon Head Bolt			
6	8108A4D-030-4	1	压缩机高低压管支架 2 Compressor High And Low Pressure Pipe Bracket 2			
7	37AD-33211	2	定位夹 Locating Clip			
8	37AD-33043	3	扎带 Band		康明斯 L345、L375 发动机 CUMMINS L345, L375 Engine	
9	Q340B06	2	六角头螺母 Hexagon Head Nut			
10	Q32008	6	六角头法兰面螺母 Hexagon Head Nut With Flange			
11	Q1460830	2	六角头组合螺栓 Hexagon Head Combination Bolt			
12	8108A-030-1	1	管夹 Tube Clamp			

压缩机、管路、冷凝器 / COMPRESSOR, PIPELING, CONDENSER

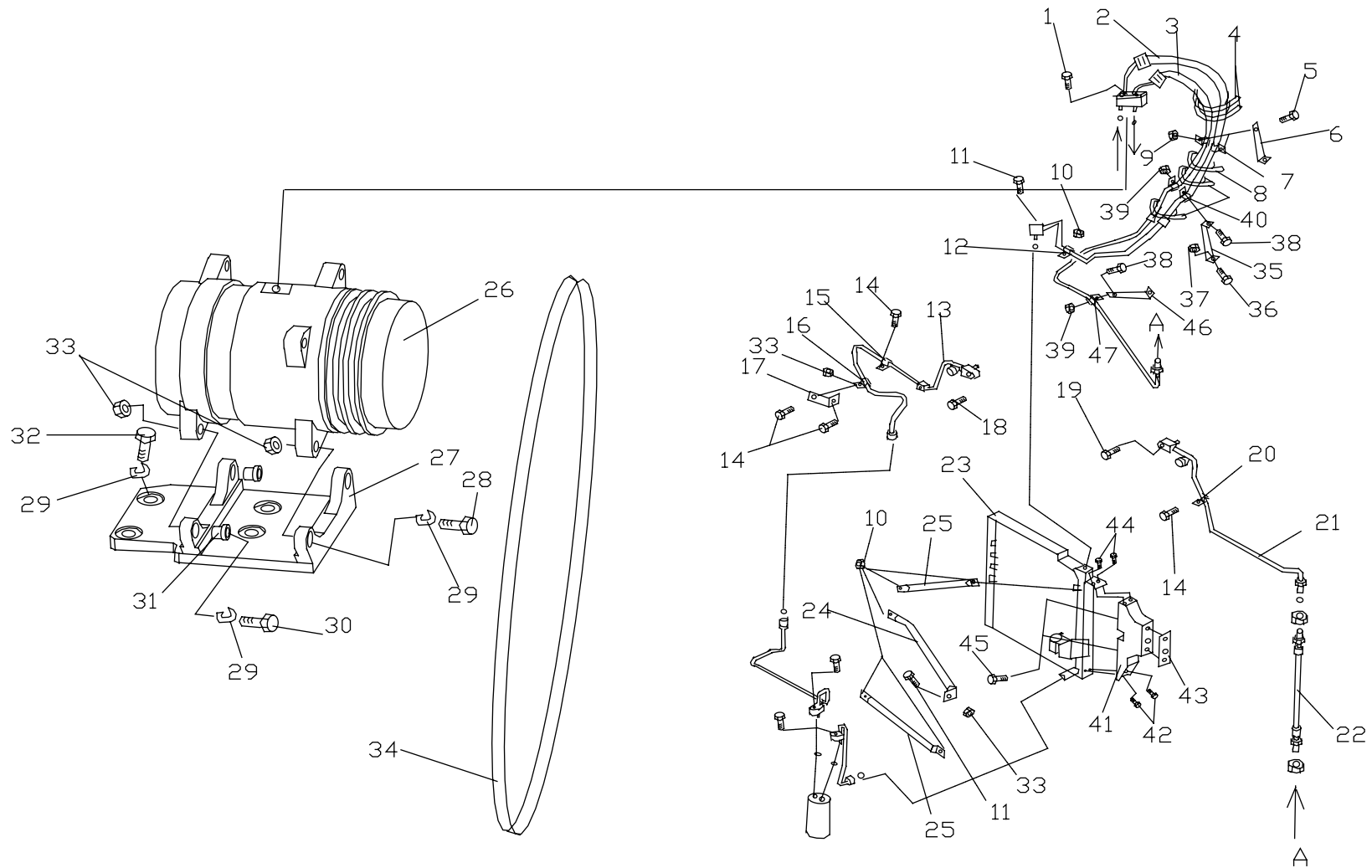
81-D



序号 No.	件号 Part No.	数量 Quantity	名称 Name	规格 Specification	适用产品 Products Applied	备注 Remark
13	8108A-040	1	贮 - 蒸管路总成 Storage-Evaporation Pipeline Assembly			
	8108A5-040	1	贮 - 蒸管路总成 Storage-Evaporation Pipeline Assembly		窄体系列 Narrow Cab Series	
14	Q1460816	4	六角头组合螺栓 Hexagon Head Combination Bolt			
15	8108A-050-1	1	管夹 Tube Clamp			
16	8108A-040-3	1	管夹 Tube Clamp			
17	8108A-040-1	1	支架 Bracket			
18	Q1460825	1	六角头组合螺栓 Hexagon Head Combination Bolt			
19	Q1460835	1	六角头组合螺栓 Hexagon Head Combination Bolt			
20	8108A-050-1	1	管夹 Tube Clamp			
21	8108A-050	1	蒸 - 压管路总成 I Evaporation-Pressure Pipeline Assembly I			
	8108A5-050	1	蒸 - 压管路总成 I Evaporation-Pressure Pipeline Assembly I		窄体系列 Narrow Cab Series	
	8108AY-950	1	蒸 - 压管路总成 I Evaporation-Pressure Pipeline Assembly I		右驾系列 RHD Series	
22	8108A4D-060	1	蒸 - 压管路总成 II Evaporation-Pressure Pipeline Assembly II		康明斯 C 系列发动机 CUMMINS C Series Engine	
	8108A18DQ-060	1	蒸 - 压管路总成 II Evaporation-Pressure Pipeline Assembly II		康明斯 L345、L375 发动机 CUMMINS L345, L375 Engine	

压缩机、管路、冷凝器 / COMPRESSOR, PIPELINE, CONDENSER

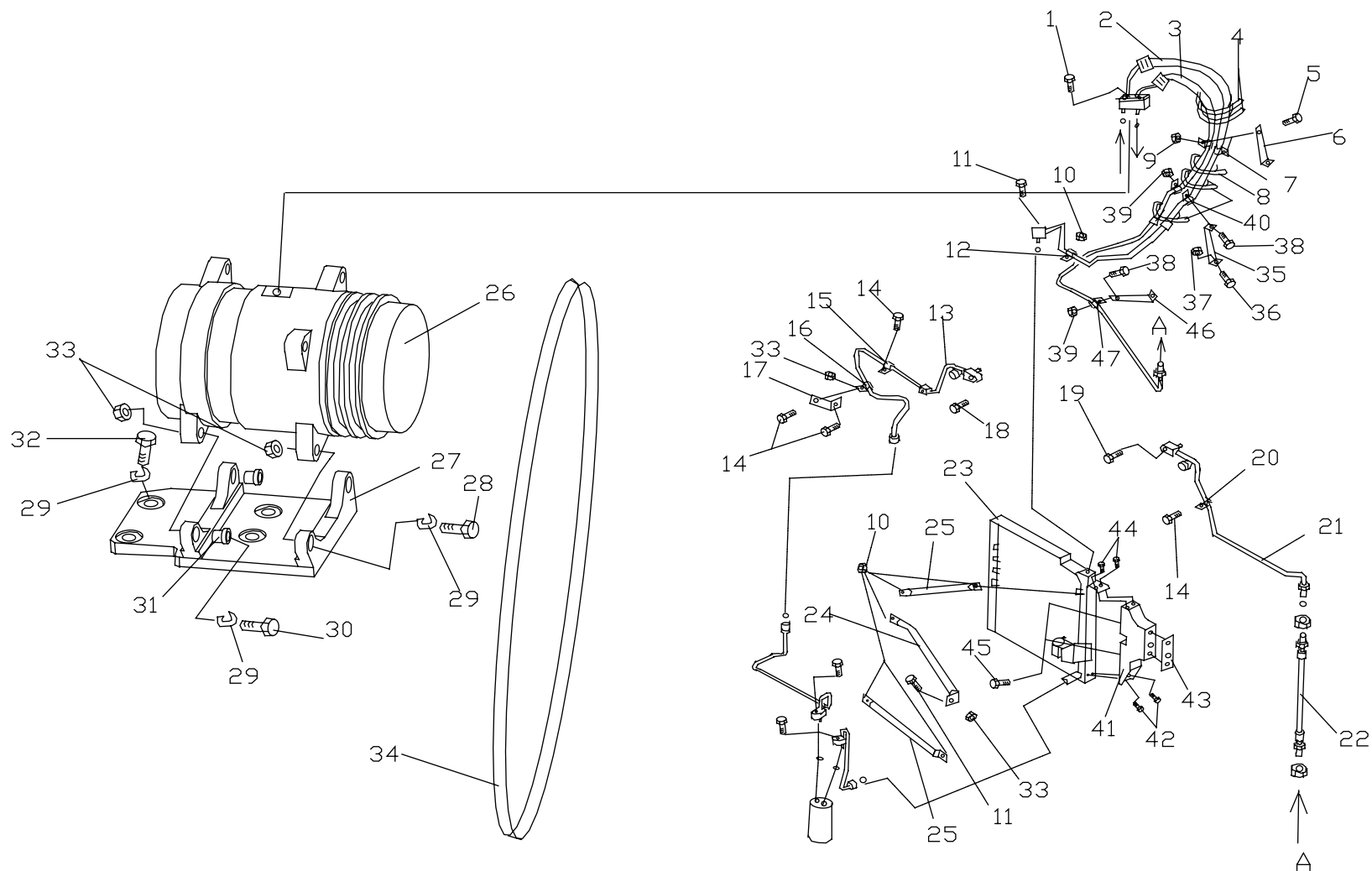
81-D



序号 No.	件号 Part No.	数量 Quantity	名称 Name	规格 Specification	适用产品 Products Applied	备注 Remark
23	8105A4D-010	1	冷凝器总成 - 带干燥器 Condenser Assembly-W/Dryer			
	8105AY-910	1	冷凝器总成 - 带干燥器 Condenser Assembly-W/Dryer		右驾系列 RHD Series	
24	81A-03034	1	长拉杆 - 冷凝器 Long Pull Rod-Condenser			
	81A5-03034	1	长拉杆 - 冷凝器 Long Pull Rod-Condenser		窄体系列 Narrow Cab Series	
	81AY-03934	1	长拉杆 - 冷凝器 Long Pull Rod-Condenser		右驾系列 RHD Series	
25	81A-03033	2	短拉杆 - 冷凝器 Short Pull Rod-Condenser			
	81A5-03033	2	短拉杆 - 冷凝器 Short Pull Rod-Condenser		窄体系列 Narrow Cab Series	
26	1027E8	1	压缩机总成 Compressor Assembly			
27	81A4D-03012	1	压缩机支架 Compressor Bracket		康明斯 C 系列发动机 CUMMINS C Series Engine	
	81A18DQ-03012	1	压缩机支架 Compressor Bracket		康明斯 L345、L375 发动机 CUMMINS L345, L375 Engine	
28	Q150B1040	2	六角头螺栓 Hexagon Head Bolt			
29	Q40310	8	弹簧垫圈 Spring Washer			
30	Q150B1050	2	六角头螺栓 Hexagon Head Bolt			
31	81A4D-03013	2	轴套 Shaft Bush			

压缩机、管路、冷凝器 / COMPRESSOR, PIPELINE, CONDENSER

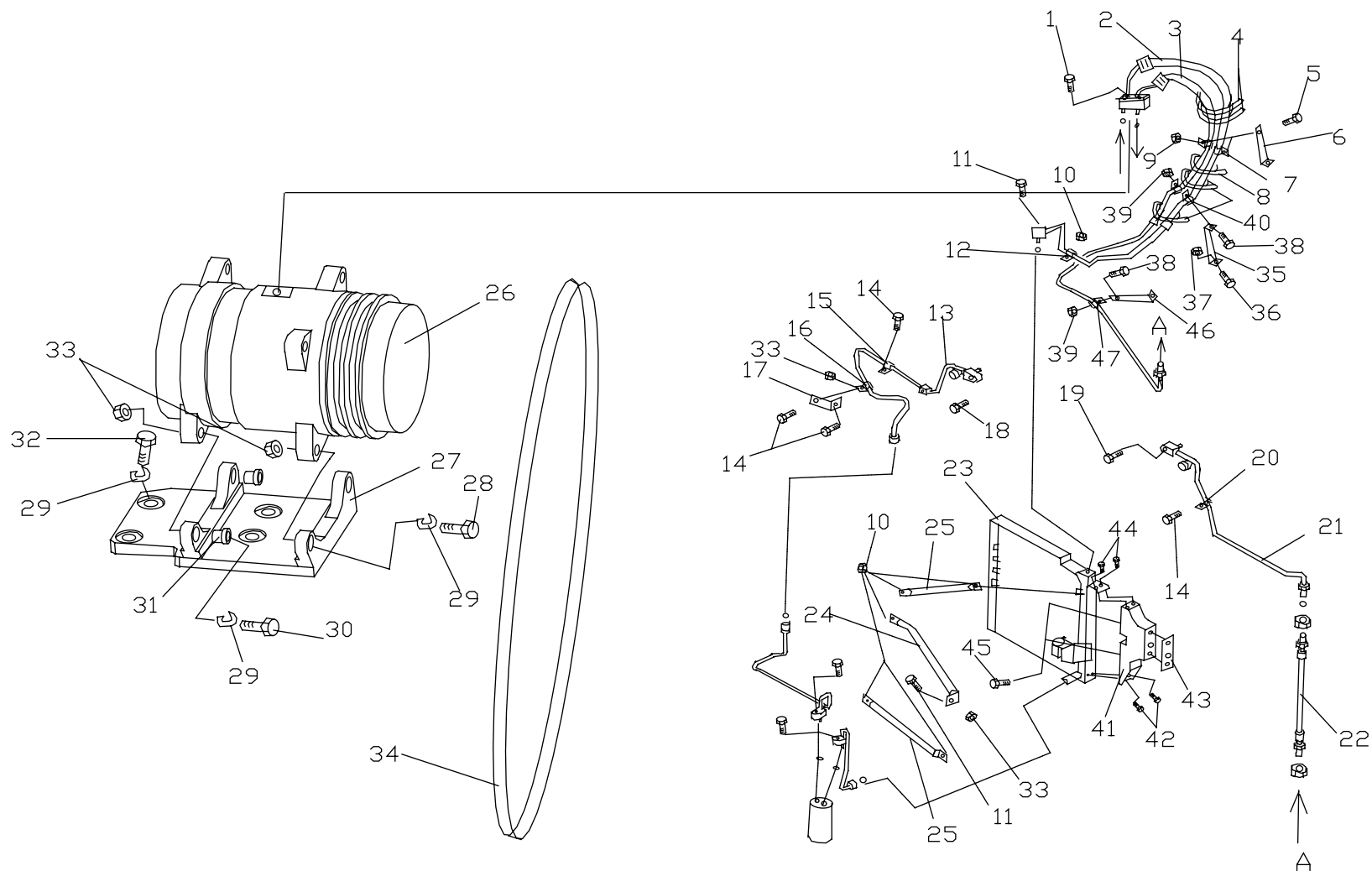
81-D



序号 No.	件号 Part No.	数量 Quantity	名称 Name	规格 Specification	适用产品 Products Applied	备注 Remark
32	Q150B1030	4	六角头螺栓 Hexagon Head Bolt			
33	Q340B10	6	六角头螺母 Hexagon Head Nut			
34	SRRP13×9×1097	1	压缩机皮带 Compressor Belt		康明斯 C 系列发动机 CUMMINS C Series Engine	
	V13×1100	1	压缩机皮带 Compressor Belt		康明斯 L345、L375 发动机 CUMMINS L345, L375 Engine	
35	8108A4D-030-3	1	压缩机高低压管支架 1 Compressor High And Low Pressure Pipe Bracket 1		康明斯 C 系列发动机 CUMMINS C Series Engine	
36	Q1460820	1	六角头组合螺栓 Hexagon Head Combination Bolt			
37	Q340B08	1	六角头螺母 Hexagon Head Nut			
38	Q1460620	1	六角头组合螺栓 Hexagon Head Combination Bolt			
39	Q340B06	1	六角头螺母 Hexagon Head Nut			
40	37AD-33211	2	定位夹 Locating Clip			
	81A-03031	1	冷凝右侧固定支架 Condenser Fixing Bracket RH			
41	81A5-03031	1	冷凝右侧固定支架 Condenser Fixing Bracket RH		窄体系列 Narrow Cab Series	
42	Q1420616	2	六角头组合螺栓 Hexagon Head Combination Bolt			
43	81A-03031-1	1	缓冲垫 1 Cushion 1			

压缩机、管路、冷凝器 / COMPRESSOR, PIPELINE, CONDENSER

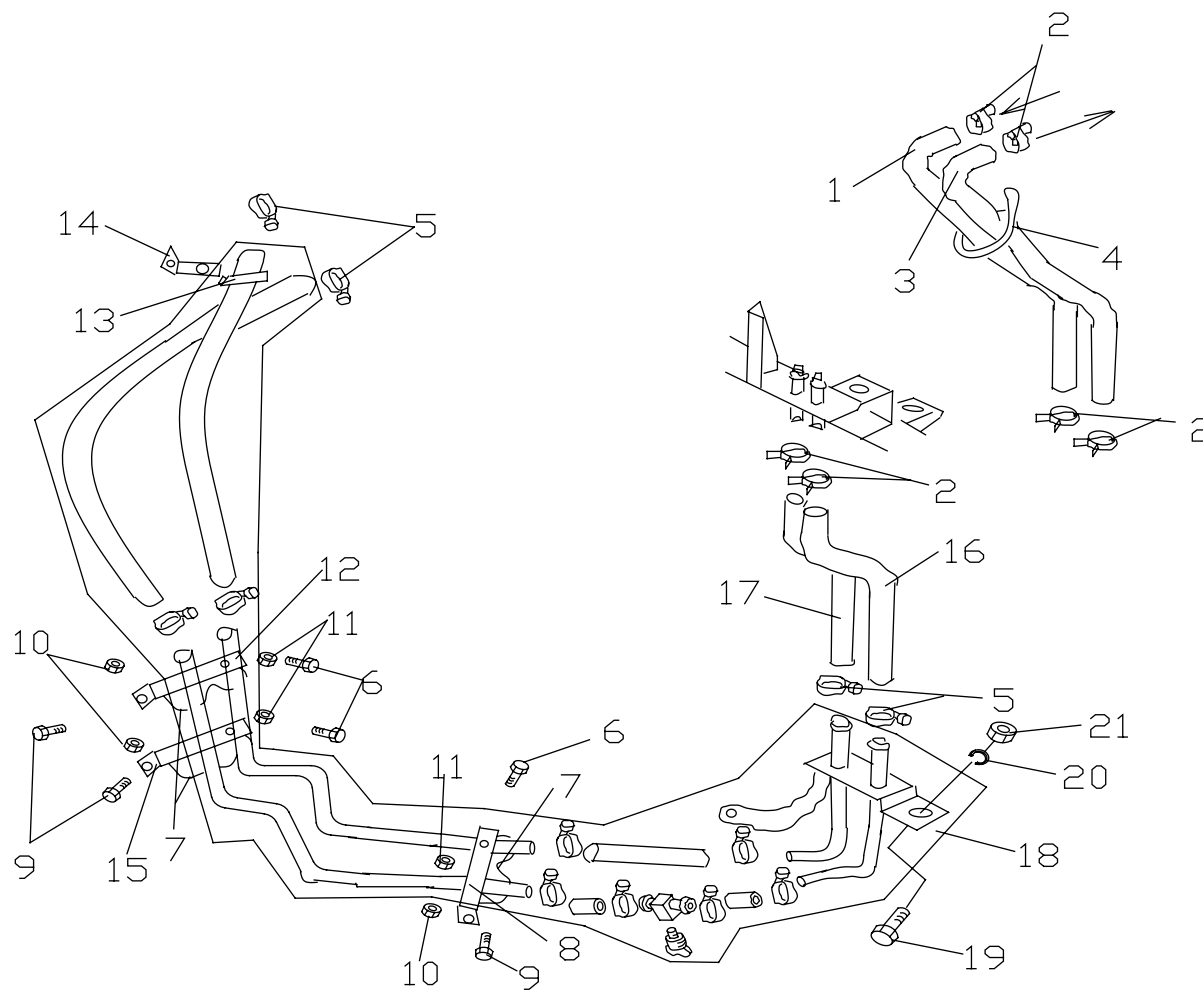
81-D



序号 No.	件号 Part No.	数量 Quantity	名称 Name	规格 Specification	适用产品 Products Applied	备注 Remark
44	Q1460820	2	六角头组合螺栓 Hexagon Head Combination Bolt			
45	Q1461235	2	六角头组合螺栓 - 细牙 Hexagon Head Combination Bolt-Fine			
46	37AD-34003	1	支架 Bracket		康明斯 L345、L375 发动机 CUMMINS L345,L375 Engine	
47	8108A-050-1	1	管夹 Tube Clamp			
	8105A-010-1	1	底板 Baseboard			
	8105A-010-2	1	支板 Supporting Plate			
	8105A-010-3	1	缓冲垫 Cushion			
	Q1461025	1	六角头组合螺栓 Hexagon Head Combination Bolt			
	Q340B10	1	六角头螺母 Hexagon Head Nut			
	81A-03032	1	双色尼龙套 Two-Tone Nylon Sleeve			

暖风管路 / HEATER PIPELINE

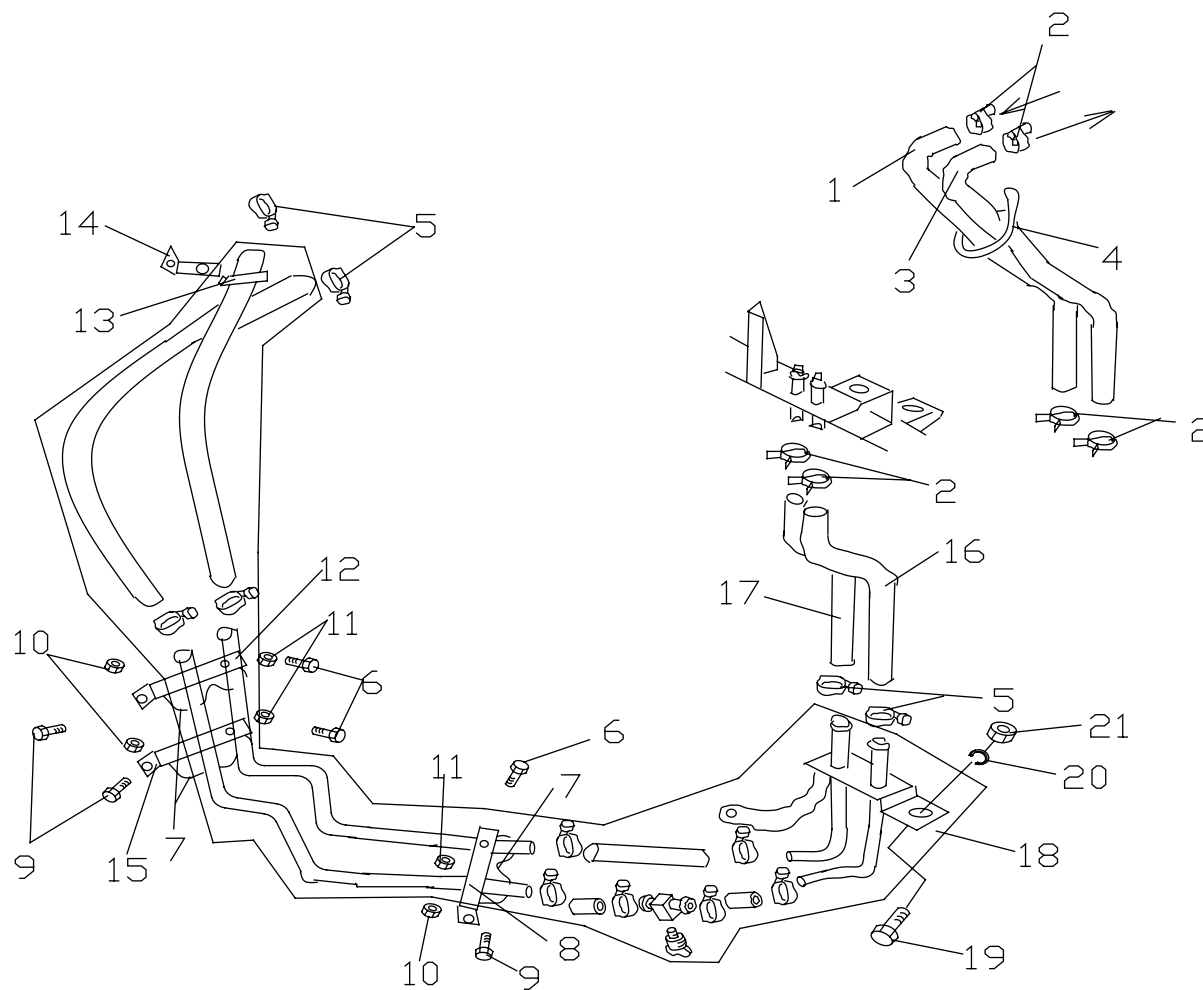
81-E



序号 No.	件号 Part No.	数量 Quantity	名称 Name	规格 Specification	适用产品 Products Applied	备注 Remark
1	81A4D-01028	1	暖风管出水官总成 - 接暖风机 Heater Water Outlet Pipe Assembly-To Heater		81-E 部分为斯太尔系列发动机专用 81-E Only For STEYR Engine Series	
	81A5-01028	1	暖风管出水官总成 - 接暖风机 Heater Water Outlet Pipe Assembly-To Heater		窄体系列 Narrow Cab Series	
	81AY-01028	1	暖风管出水官总成 - 接暖风机 Heater Water Outlet Pipe Assembly-To Heater		右驾系列 RHD Series	
2	Q673B25	6	钢带式弹性环箍 Steel Strip Type Spring Snap Ring			
3	81A-01027	1	暖风管进水官总成 - 接暖风机 Heater Water Outlet Pipe Assembly-To Heater			
	81A5-01027	1	暖风管进水官总成 - 接暖风机 Heater Water Outlet Pipe Assembly-To Heater		窄体系列 Narrow Cab Series	
	81AY-01027	1	暖风管进水官总成 - 接暖风机 Heater Water Outlet Pipe Assembly-To Heater		右驾系列 RHD Series	
4	37AD-33042	1	扎带 Band			
5	Q67527	4	A 型蜗杆传动式软管环箍 A Type Worm Transmisson Hose Snap Ring			
6	Q1460620	3	六角头弹平垫组合螺栓 Hexagon Head Combination Bolt With Spring And Plate Washer			
7	81A-01026	3	双股管夹 Bifilar Tube Clamp			
8	11A4D-04051	1	支架 Bracket			
9	Q1460825	3	六角头弹平垫组合螺栓 Hexagon Head Combination Bolt With Spring And Plate Washer			
10	Q32008	3	六角法兰面螺母 Hexagon Nut With Flange			

暖风管路 / HEATER PIPELINE

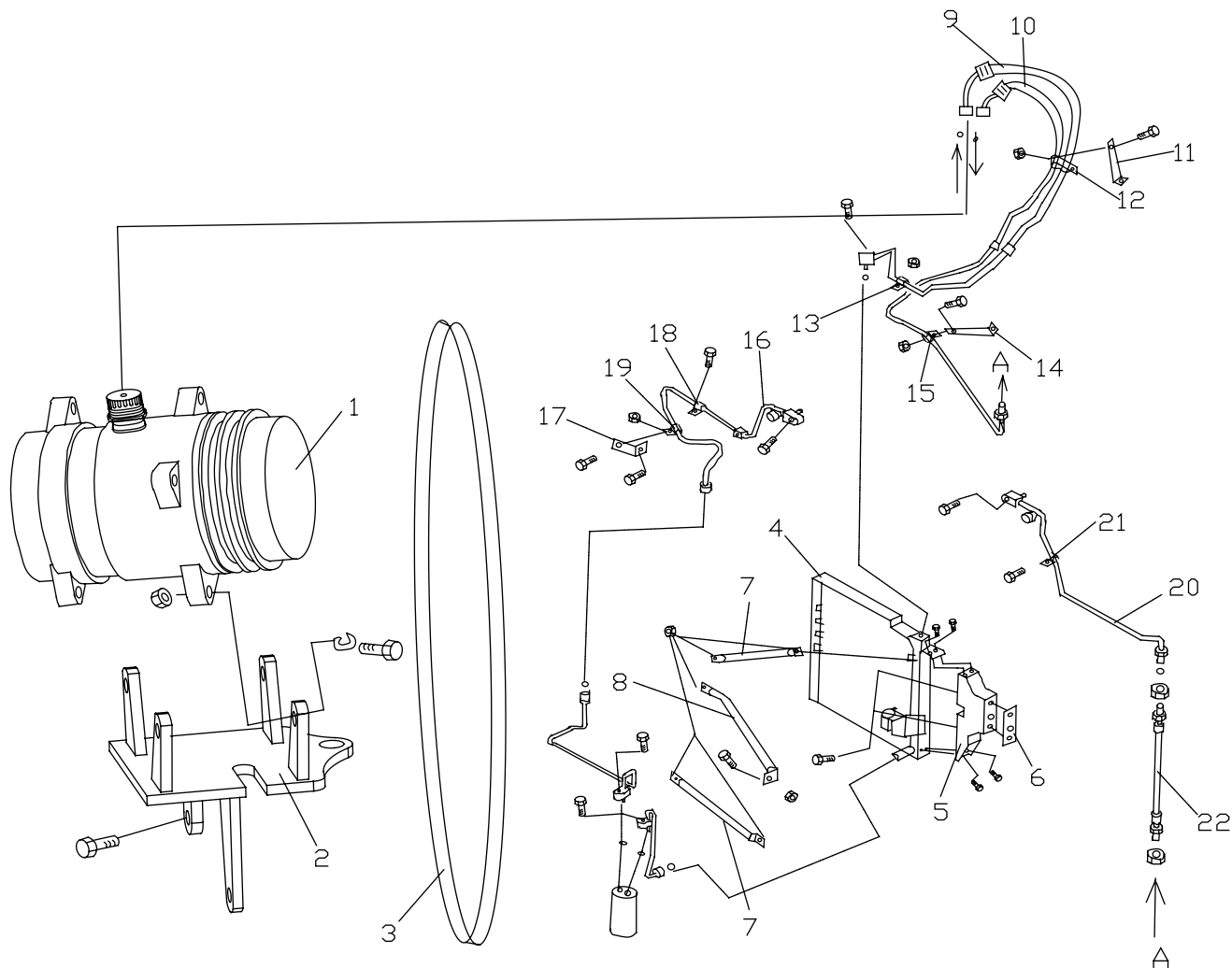
81-E



序号 No.	件号 Part No.	数量 Quantity	名称 Name	规格 Specification	适用产品 Products Applied	备注 Remark
11	Q32006	3	六角法兰面螺母 Hexagon Nut With Flange			
12	37AD-34007	1	支架 Bracket			
13	37AD-33012	1	塑料线卡 Plastic Wire Snap Ring			
14	37AD-34068	1	支架 Bracket			
15	37AD-34003	1	支架 Bracket			
16	81A3D-01030	1	进水过渡管总成 Water Inlet Transition Pipe Assembly			
17	81A3D-01031	1	出水过渡管总成 Water Outlet Transition Pipe Assembly			
18	81A4D-01025	1	暖风进出水管总成 Heater In- and Outlet Water Pipe Assembly			
19	Q150B0820	2	六角头螺栓 Hexagon Head Bolt			
20	Q40308	2	弹簧垫圈 Spring Washer			
21	Q340B08	2	六角头螺母 Hexagon Head Nut			
	37AD-33204	1	定位夹 Locating Clip			
	Q1460616	1	六角组合螺栓 Hexagon Combination Bolt			
	Q340B08	1	六角头螺母 Hexagon Head Nut			

压缩机、管路、冷凝器 / COMPRESSOR, PIPELINE, CONDENSER

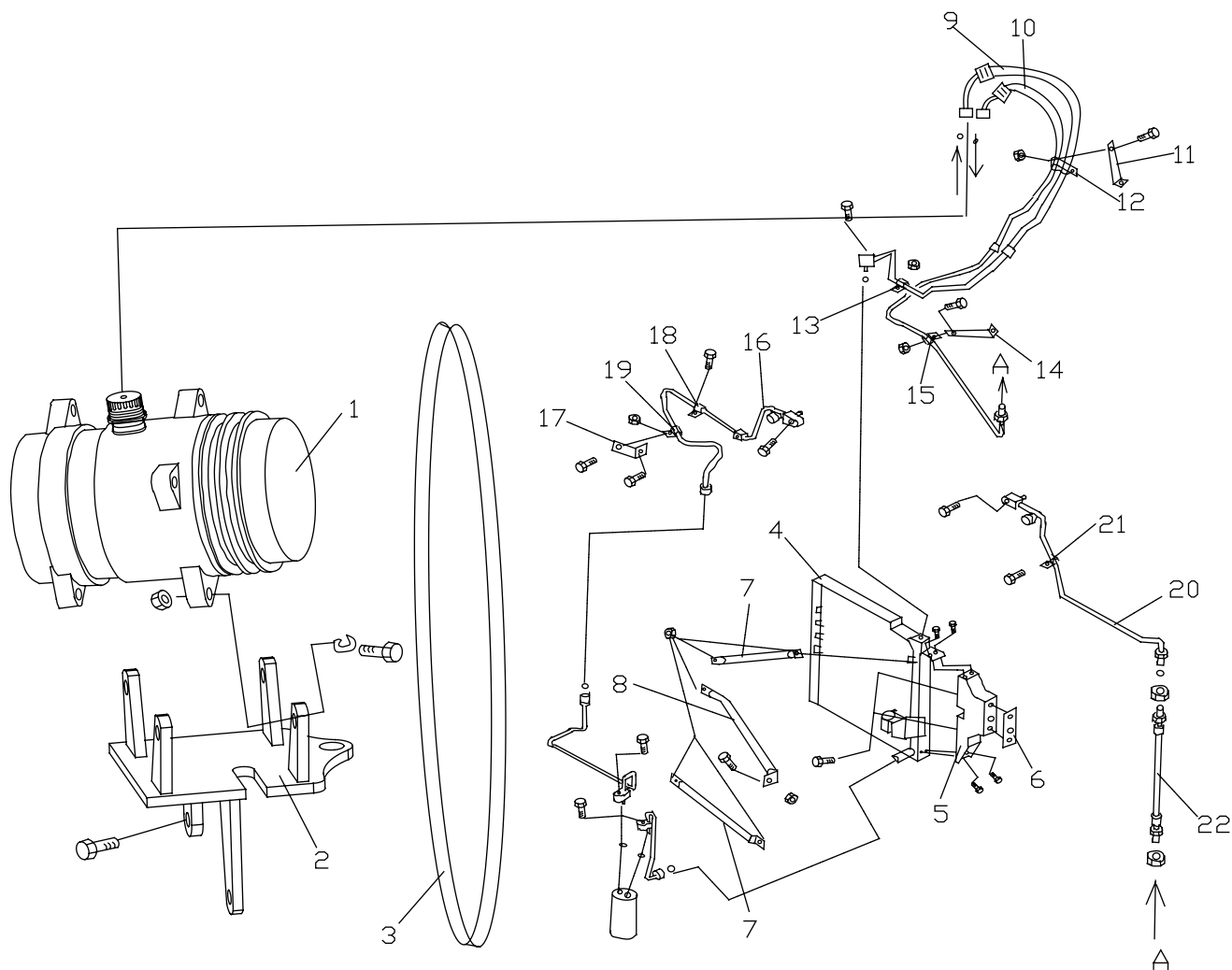
81-F



序号 No.	件号 Part No.	数量 Quantity	名称 Name	规格 Specification	适用产品 Products Applied	备注 Remark
1	81A2D-03010	1	压缩机总成 Compressor Assembly		81-F 部分为斯太尔系列发动机空调选装备件 81-F As A/C Options For STEYR Engine Series	
	Q150B1040	4	六角头螺栓 Hexagon Head Bolt			
	Q40310	4	弹簧垫圈 Spring Washer			
	340B10	4	六角头螺母 Hexagon Head Nut			
2	81A2D-03012	1	压缩机支架 Compressor Bracket			P=1.25
	HQ1460820	1	六角头组合螺栓 - 细牙 Hexagon Head Combination Bolt-Fine			
3	V10X1070	2	齿轮 V 带 Gear V-Belt			
4	8105A4D-010	1	冷凝器总成 Condenser Assembly			
	8105AY-910	1	冷凝器总成 - 带干燥器 Condenser Assembly-W/Dryer		右驾系列 RHD Series	
	Q1420616	2	六角头组合螺栓 Hexagon Head Combination Bolt			
	Q1460820	2	六角头组合螺栓 Hexagon Head Combination Bolt			
5	81A-03031	1	冷凝器右侧固定架 Condenser Fixing Bracket RH			
	81A5-03031	1	冷凝右侧固定支架 Condenser Fixing Bracket RH		窄体系列 Narrow Cab Series	
	Q1461235	2	六角头组合螺栓 Hexagon Head Combination Bolt			

压缩机、管路、冷凝器 / COMPRESSOR, PIPELINE, CONDENSER

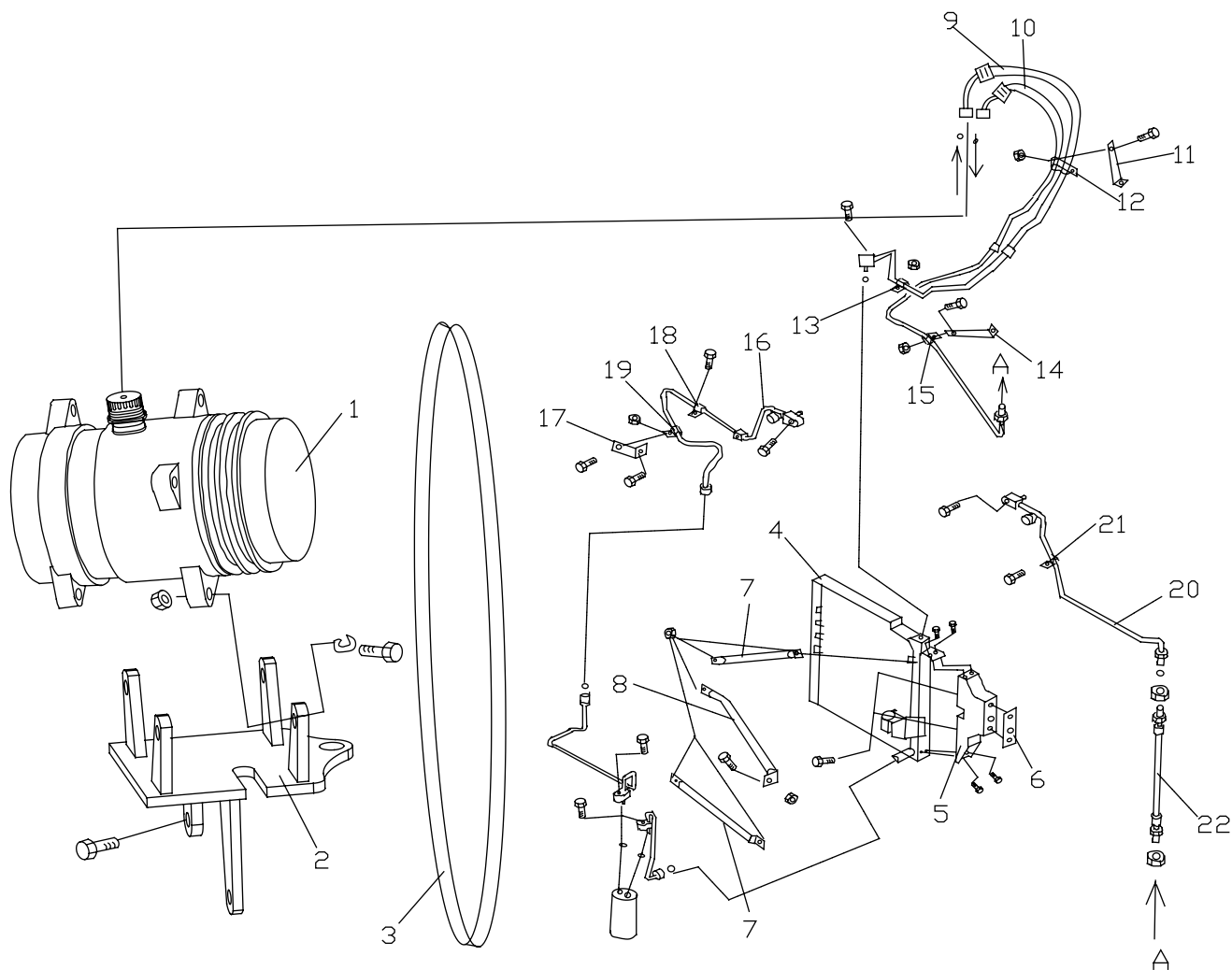
81-F



序号 No.	件号 Part No.	数量 Quantity	名称 Name	规格 Specification	适用产品 Products Applied	备注 Remark
6	81A-03031-1	1	缓冲垫 1 Cushion 1			
7	81A-03033	2	短拉杆 - 冷凝器 Short Pull Rod-Condenser			
	81A5-03033	2	短拉杆 - 冷凝器 Short Pull Rod-Condenser		窄体系列 Narrow Cab Series	
8	81A-03034	1	长拉杆 - 冷凝器 Long Pull Rod-Condenser			
	81A5-03034	1	长拉杆 - 冷凝器 Long Pull Rod-Condenser		窄体系列 Narrow Cab Series	
	81AY-03934	1	长拉杆 - 冷凝器 Long Pull Rod-Condenser		右驾系列 RHD Series	
	Q1460830	1	六角头组合螺栓 Hexagon Head Combination Bolt			
	Q32008	6	六角法兰面螺母 Hexagon Nut With Flange			
9	8108A2D-030	1	压 - 冷管路总成 Pressure-Cooling Pipe Assembly			
	Q1460830	1	六角头组合螺栓 Hexagon Head Combination Bolt			
10	8108A2D-070	1	蒸 - 压管路总成III Evaporation-Pressure Pipe Assembly III			
11	8108A4D-030-1	1	高低压管支架 2 High And Low Pressure Pipe Bracket 2			
12	81A-01026	1	双股管夹 Bifilar Tube Clamp			
	Q1460620	1	六角头组合螺栓 Hexagon Head Combination Bolt			

压缩机、管路、冷凝器 / COMPRESSOR, PIPELINE, CONDENSER

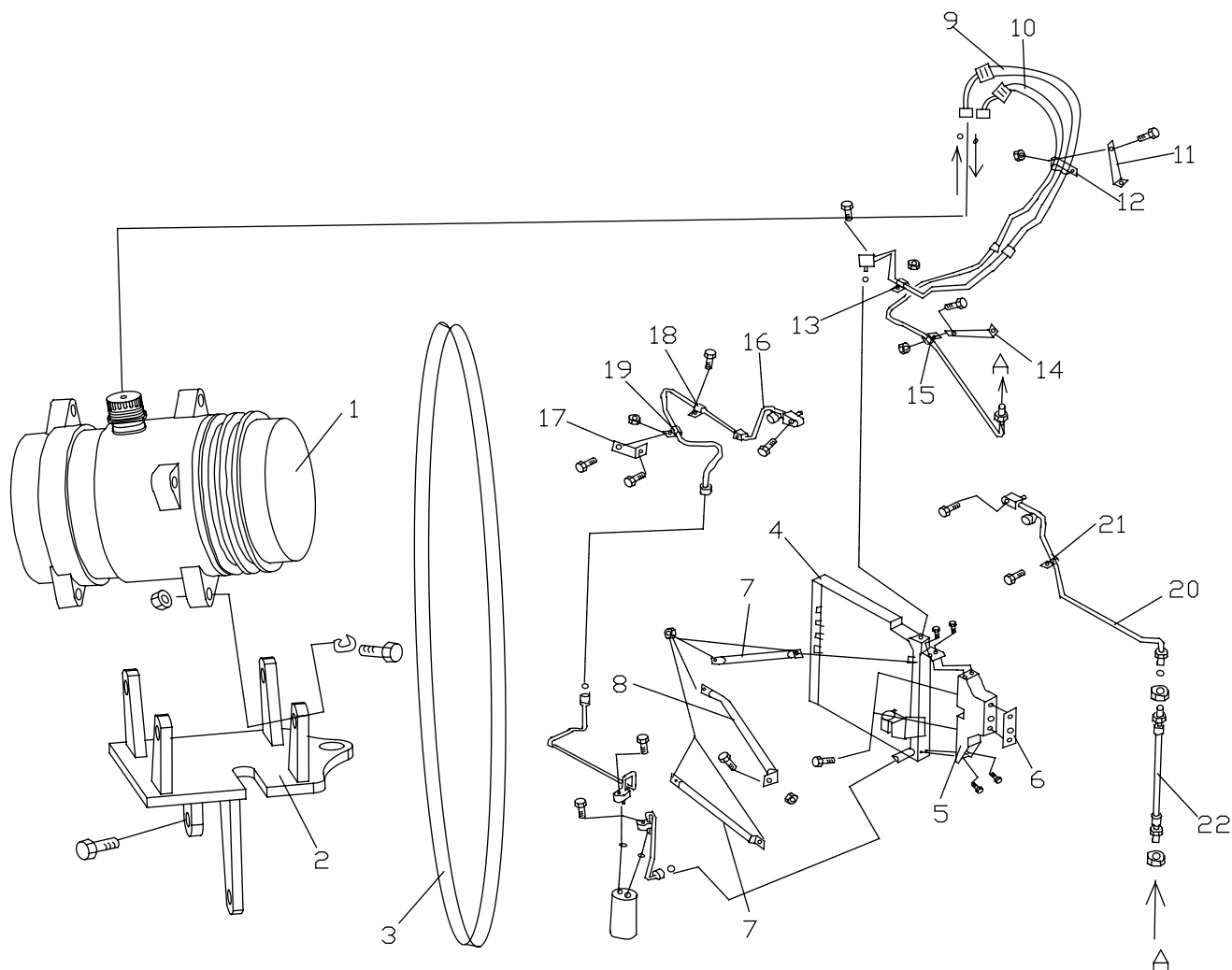
81-F



序号 No.	件号 Part No.	数量 Quantity	名称 Name	规格 Specification	适用产品 Products Applied	备注 Remark
12	Q340B06	1	六角头螺母 Hexagonal Head Nut			
13	8108A-030-1	1	管夹 12 Tube Clamp 12			
	Q32008	1	六角法兰面螺母 Hexagon Nut With Flange			
14	37AD-34003	1	支架 Bracket			
15	8108A-050-1	1	管夹 Tube Clamp			
	Q1460620	1	六角头组合螺栓 Hexagon Head Combination Bolt			
	Q340B06	1	六角头螺母 Hexagonal Head Nut			
16	8108A-040	1	贮 - 蒸管路总成 I Storage-Evaporation Assembly I			
	8108A5-040	1	贮 - 蒸管路总成 Storage-Evaporation Pipeline Assembly		窄体系列 Narrow Cab Series	
	Q1460625	1	六角头组合螺栓 Hexagon Head Combination Bolt			
17	8108A-040-1	1	进口管固定架 Inlet Pipe Fixing Bracket			
	Q1460816	1	六角头组合螺栓 Hexagon Head Combination Bolt			
	Q340B08	1	六角头螺母 Hexagonal Head Nut			

压缩机、管路、冷凝器 / COMPRESSOR, PIPELINE, CONDENSER

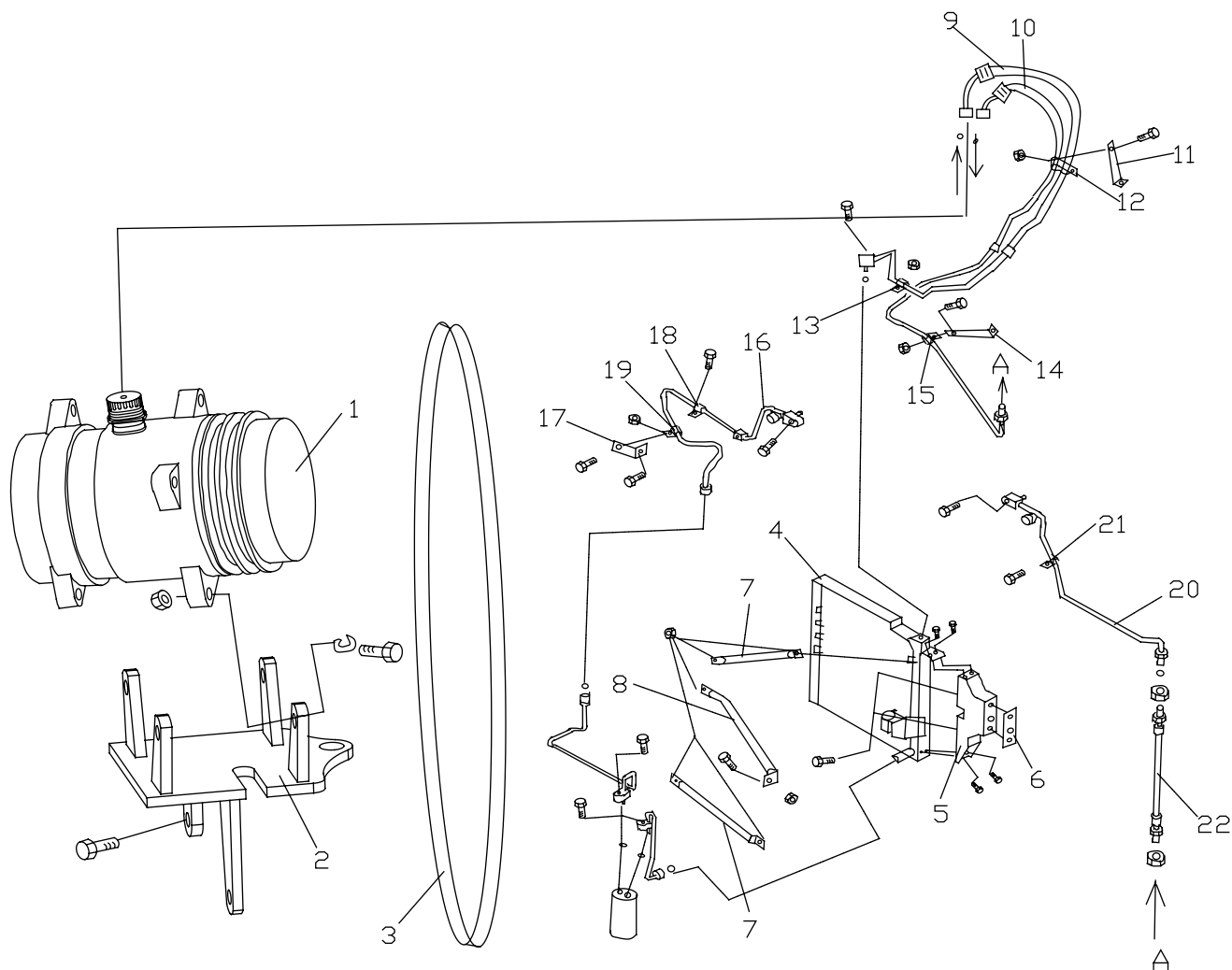
81-F



序号 No.	件号 Part No.	数量 Quantity	名称 Name	规格 Specification	适用产品 Products Applied	备注 Remark
18	8108A-040-2	1	管夹 Tube Clamp			
	Q1460816	1	六角头组合螺栓 Hexagon Head Combination Bolt			
19	8108A-040-3	1	管夹 Tube Clamp			
	Q1460816	1	六角头组合螺栓 Hexagon Head Combination Bolt			
20	8108A-050	1	蒸 - 压管路总成 I Evaporation-Pressure Pipeline Assembly I			
	8108A5-050	1	蒸 - 压管路总成 I Evaporation-Pressure Pipeline Assembly I		窄体系列 Narrow Cab Series	
	8108AY-950	1	蒸 - 压管路总成 I Evaporation-Pressure Pipeline Assembly I		右驾系列 RHD Series	
	Q1460835	1	六角头组合螺栓 Hexagon Head Combination Bolt			
21	8108A-050-1	1	管夹 Tube Clamp			
	Q1460816	1	六角头组合螺栓 Hexagon Head Combination Bolt			
22	8108A-060	1	蒸 - 压管路总成 II Evaporation-Pressure Pipeline Assembly II			
	8105A-010-1	1	底板 Baseboard			
	Q1461025	2	六角头组合螺栓 Hexagon Head Combination Bolt			
	Q340B10	2	六角法兰面螺母 Hexagon Nut With Flange			

压缩机、管路、冷凝器 / COMPRESSOR, PIPELINE, CONDENSER

81-F



序号 No.	件号 Part No.	数量 Quantity	名称 Name	规格 Specification	适用产品 Products Applied	备注 Remark
	8105A-010-2	1	支板 Supporting Plate			
	8105A-010-3	1	缓冲垫 Cushion			
	81A-03032	1	双色尼龙套 Two-Tone Nylon Sleeve			

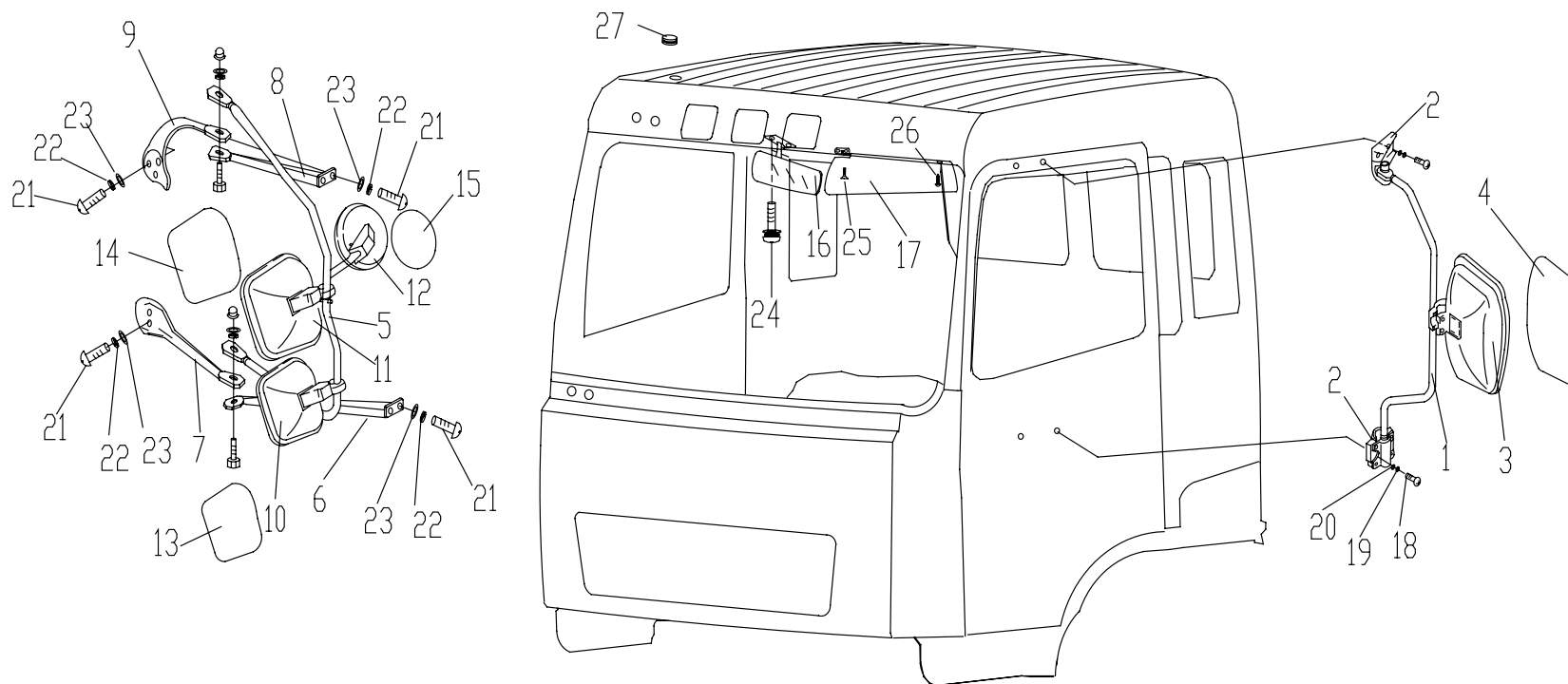
82

附件系统

ACCESSORY SYSTEM

后视镜、遮阳板 / REAR VIEW MIRROR, SUNSHADE

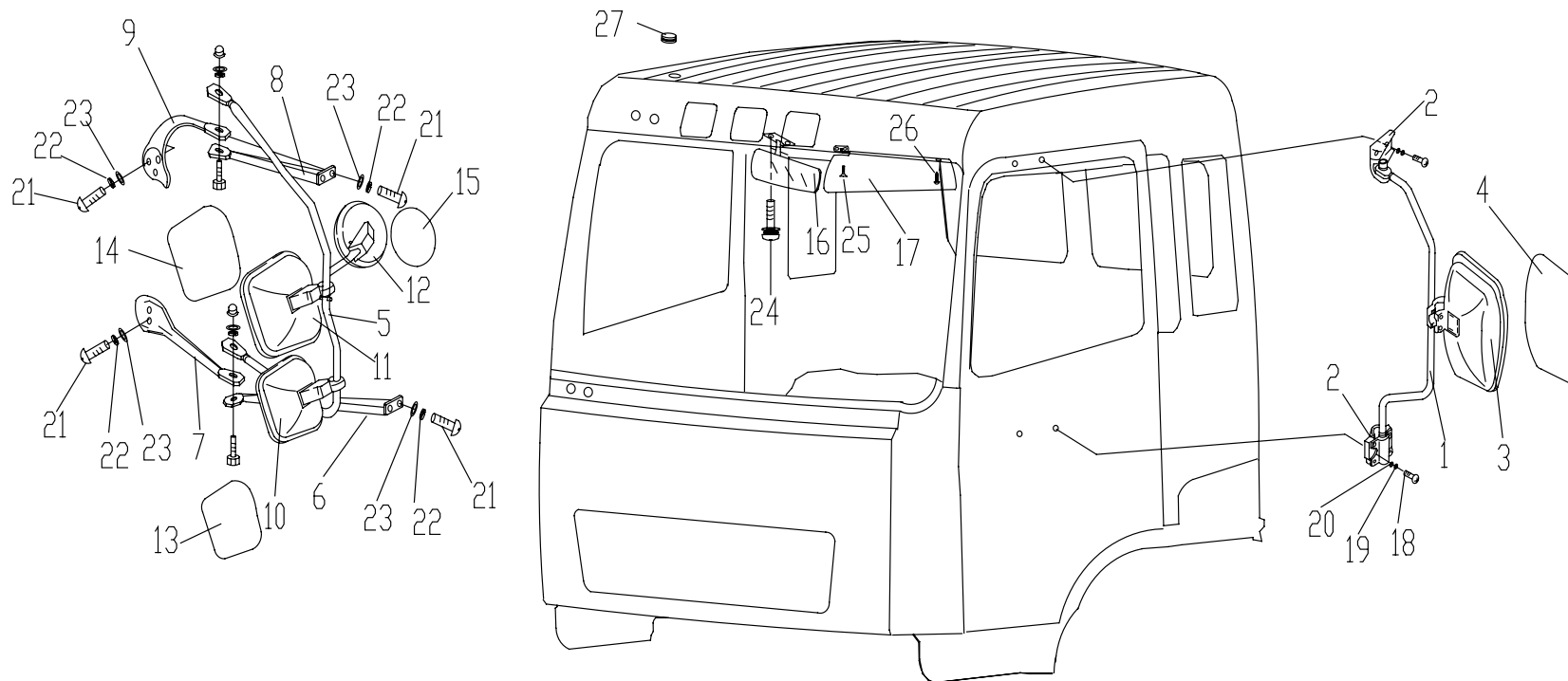
82-A



序号 No.	件号 Part No.	数量 Quantity	名称 Name	规格 Specification	适用产品 Products Applied	备注 Remark
	8202B-010	1	左外后视镜总成 Outer Rear View Mirror Assembly LH			
1	8202B-011	1	左外后视镜支架 Outer Rear View Mirror Bracket LH			
2	8202B-013	2	左外后视镜铝合金支座 Outer Rear View Mirror Aluminium Alloy Pedestal LH			
3	8202B-012	1	左外后视镜镜盖总成 Outer Rear View Mirror Cover Assembly LH			
4	8202B-014	1	左外后视镜镜面 Outer Rear View Mirror Face LH			
	8202B-040	1	右外后视镜总成 Outer Rear View Mirror Assembly RH			
5	8202B-041	1	右外后视镜支架 Outer Rear View Mirror Bracket RH			
6	8202B-044	1	左下支架 - 右外后视镜 Lower Bracket LH-Outer Rear View Mirror RH			
7	8202B-045	1	右下支架 - 右外后视镜 Lower Bracket RH-Outer Rear View Mirror RH			
8	8202B-042	1	左上支架 - 右外后视镜 Upper Bracket LH-Outer Rear View Mirror RH			
9	8202B-043	1	右上支架 - 右外后视镜 Upper Bracket RH-Outer Rear View Mirror RH			
10	8202B-052	1	右下后视镜镜盖总成 Downwards Rear View Mirror Cover Assembly RH			
11	8202B-051	1	右外后视镜镜盖总成 Outer Rear View Mirror Cover Assembly RH			
12	8202B-053	1	前下视镜镜盖总成 Front Downwards View Mirror Cover Assembly			

后视镜、遮阳板 / REAR VIEW MIRROR, SUNSHADE

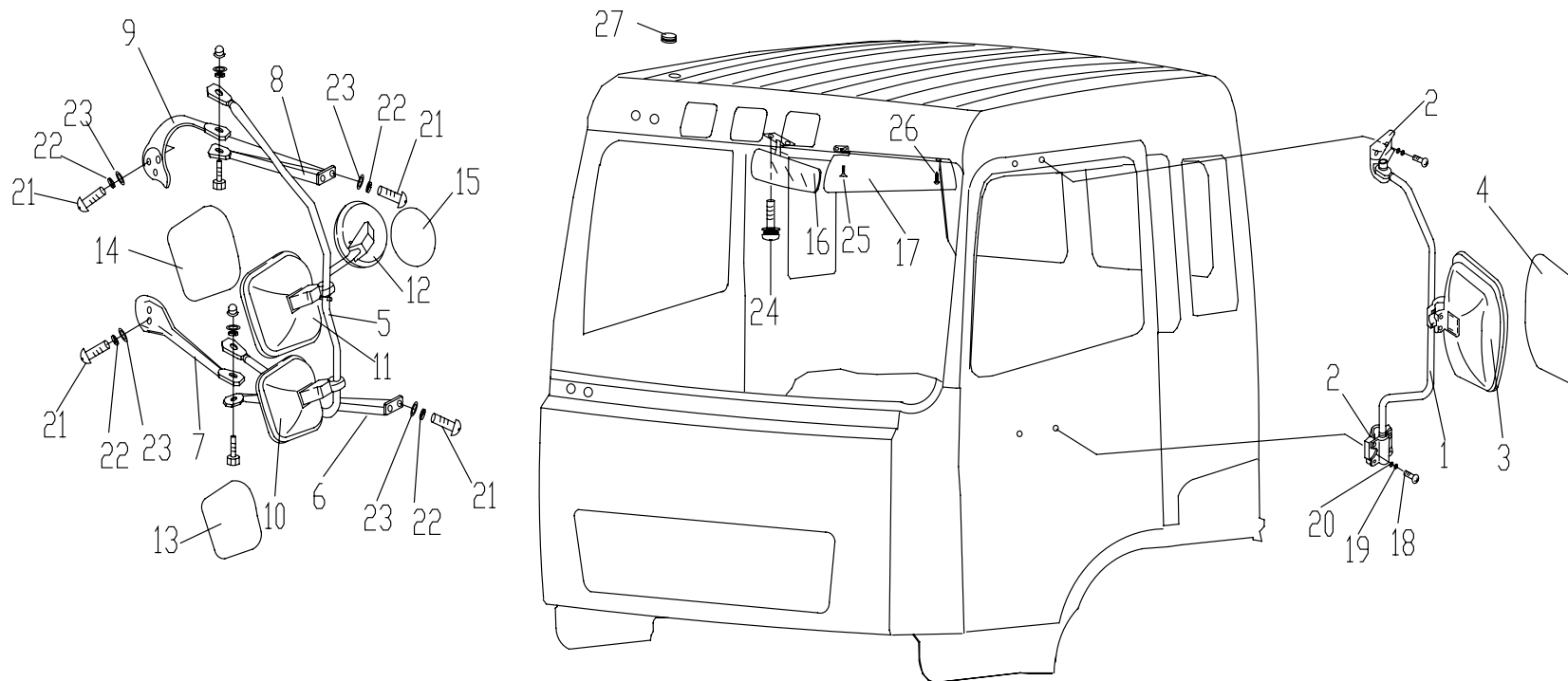
82-A



序号 No.	件号 Part No.	数量 Quantity	名称 Name	规格 Specification	适用产品 Products Applied	备注 Remark
13	8202B-055	1	右下后视镜镜面 Downwards Rear View Mirror Face RH			
14	8202B-054	1	右外后视镜镜面 Outer Rear View Mirror Face RH			
15	8202B-056	1	前下视镜镜面 Front Downwards View Mirror Face			
16	8201B-010	1	内后视镜总成 Inner Rear View Mirror Assembly			
17	8204B-010	1	左遮阳板总成 Sunshade Assembly LH			
	8204B-040	1	右遮阳板总成 Sunshade Assembly RH			
18	Q174B0620	4	六角头头部带十字槽螺栓 Hexagon Head Bolt W/ Cross Recessed Head			
19	Q40306	4	弹簧垫圈 Spring Washer			
20	Q40106	4	平垫圈 Plate Washer			
21	Q2140830	9	十字槽盘头螺钉 Cross Recessed Pan Head Screw			
22	Q40308	9	弹簧垫圈 Spring Washer			
23	Q40108	9	平垫圈 Plate Washer			
24	Q2360616	2	十字槽平垫组合螺栓 Cross Recessed Combination Bolt With Plate Washer			
25	Q2540635	4	十字槽沉头螺钉 Cross Recessed Countersunk Head Screw			

后视镜、遮阳板 / REAR VIEW MIRROR, SUNSHADE

82-A



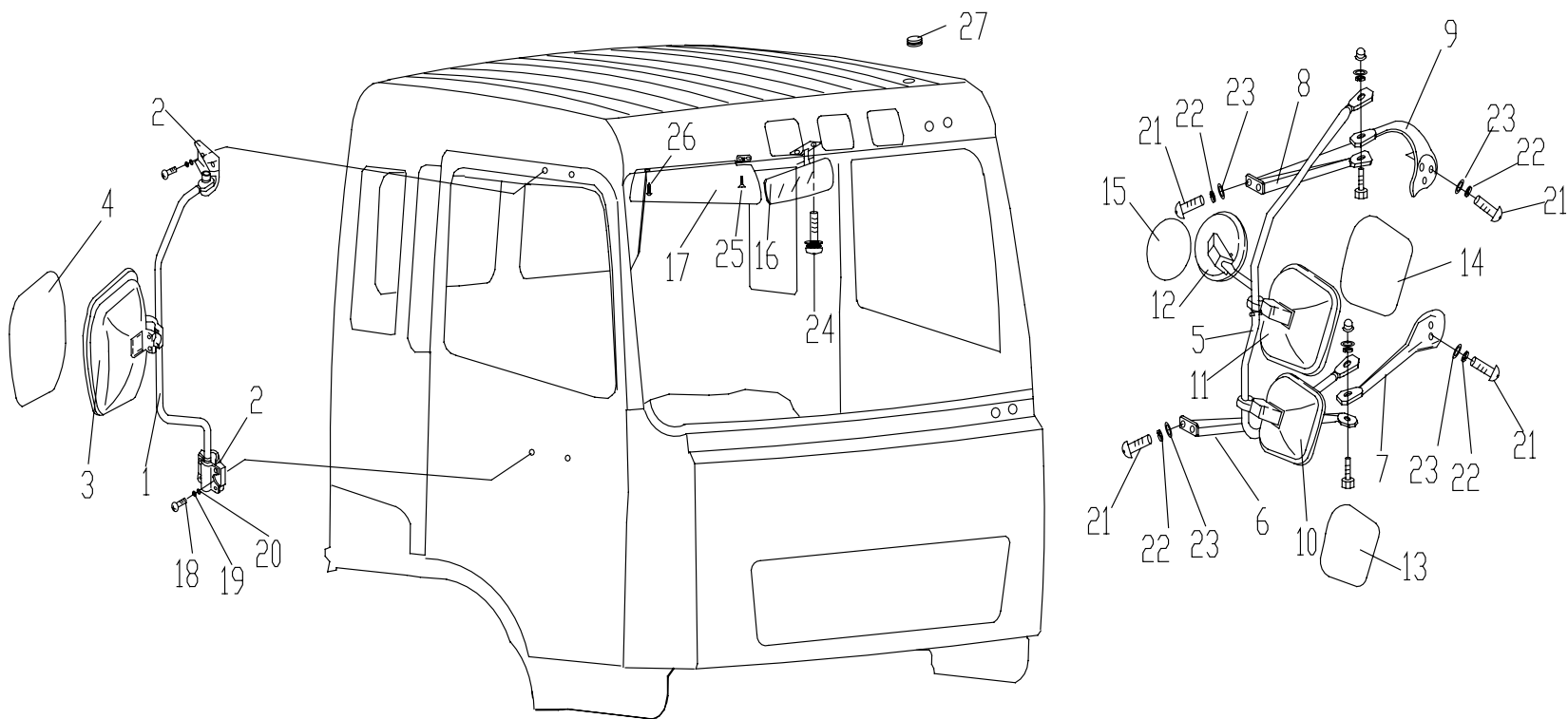
附件系统 / ACCESSORY SYSTEM

82-6

序号 No.	件号 Part No.	数量 Quantity	名称 Name	规格 Specification	适用产品 Products Applied	备注 Remark
26	Q2734816	2	十字槽大半圆头自攻螺钉 Cross Recessed Cup Head Self-Tapping Screw With Large Head			
27	57B-02014	1	前顶橡胶堵盖 Front Roof Rubber Block Cover			

后视镜、遮阳板 (右驾系列) / REAR VIEW MIRROR, SUNSHADE (RHD SERIES)

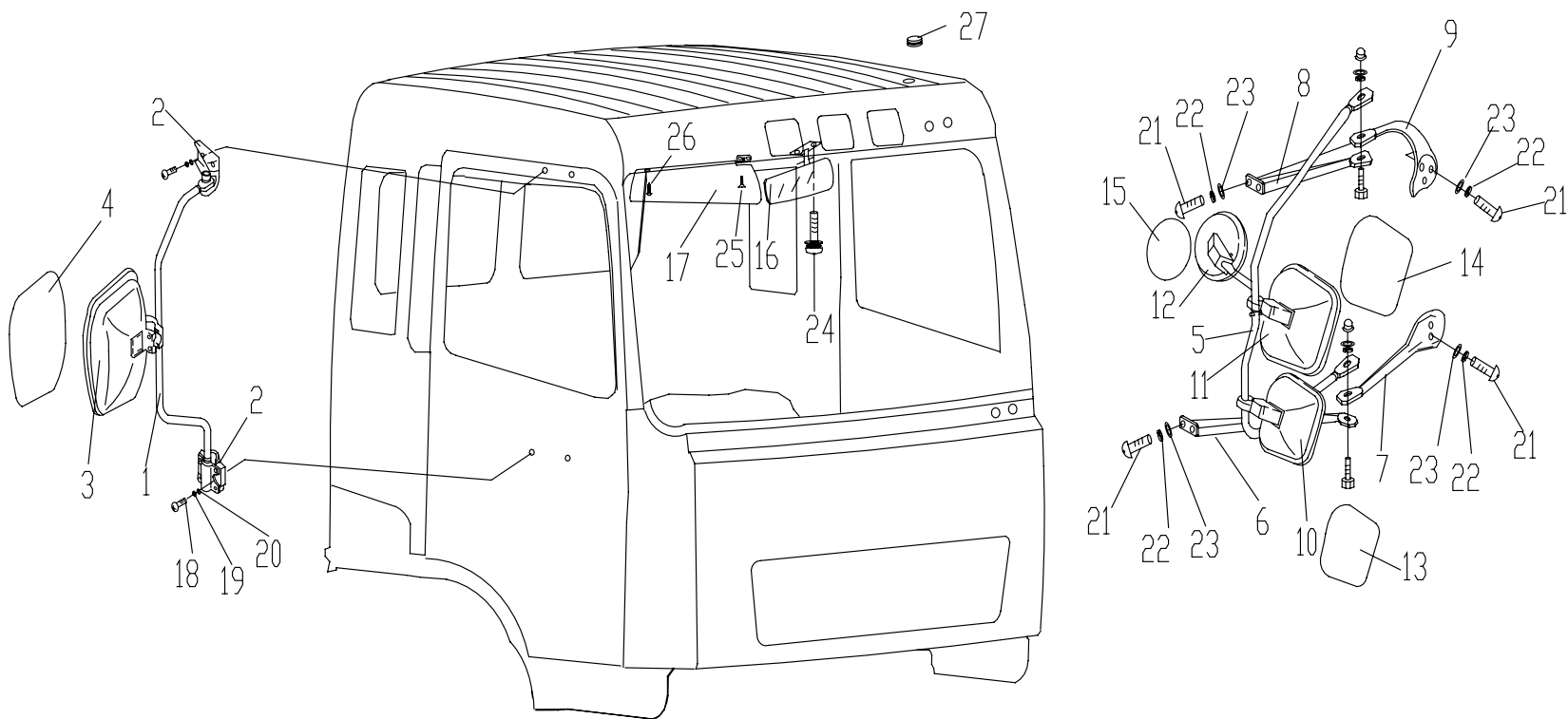
82-B



序号 No.	件号 Part No.	数量 Quantity	名称 Name	规格 Specification	适用产品 Products Applied	备注 Remark
	8202BY-010	1	左外后视镜总成 Outer Rear View Mirror Assembly LH		右驾系列 RHD Series	
1	8202BY-011	1	左外后视镜支架 Outer Rear View Mirror Bracket LH		右驾系列 RHD Series	
2	8202BY-013	2	左外后视镜铝合金支座 Outer Rear View Mirror Aluminium Alloy Pedestal LH		右驾系列 RHD Series	
3	8202BY-012	1	左外后视镜镜盖总成 Outer Rear View Mirror Cover Assembly LH		右驾系列 RHD Series	
4	8202BY-014	1	左外后视镜镜面 Outer Rear View Mirror Face LH		右驾系列 RHD Series	
	8202BY-040	1	右外后视镜总成 Outer Rear View Mirror Assembly RH		右驾系列 RHD Series	
5	8202BY-041	1	右外后视镜支架 Outer Rear View Mirror Bracket RH		右驾系列 RHD Series	
6	8202BY-044	1	左下支架 - 右外后视镜 Lower Bracket LH-Outer Rear View Mirror RH		右驾系列 RHD Series	
7	8202BY-045	1	右下支架 - 右外后视镜 Lower Bracket RH-Outer Rear View Mirror RH		右驾系列 RHD Series	
8	8202BY-042	1	左上支架 - 右外后视镜 Upper Bracket LH-Outer Rear View Mirror RH		右驾系列 RHD Series	
9	8202BY-043	1	右上支架 - 右外后视镜 Upper Bracket RH-Outer Rear View Mirror RH		右驾系列 RHD Series	
10	8202BY-052	1	右下后视镜镜盖总成 Downwards Rear View Mirror Cover Assembly RH		右驾系列 RHD Series	
11	8202BY-051	1	右外后视镜镜盖总成 Outer Rear View Mirror Cover Assembly RH		右驾系列 RHD Series	
12	8202BY-053	1	前下视镜镜盖总成 Front Downwards View Mirror Cover Assembly		右驾系列 RHD Series	

后视镜、遮阳板 (右驾系列) / REAR VIEW MIRROR, SUNSHADE (RHD SERIES)

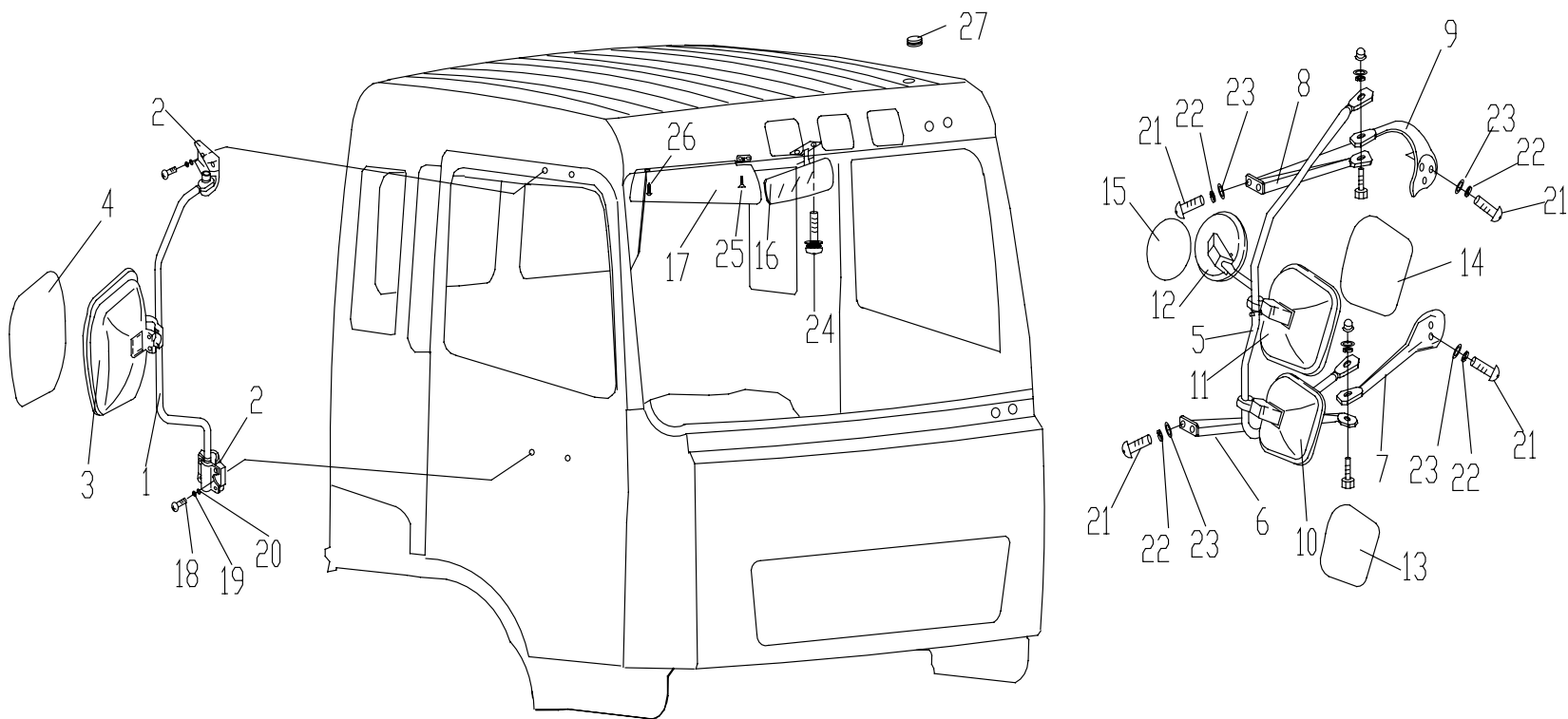
82-B



序号 No.	件号 Part No.	数量 Quantity	名称 Name	规格 Specification	适用产品 Products Applied	备注 Remark
13	8202BY-055	1	右下后视镜镜面 Downwards Rear View Mirror Face RH		右驾系列 RHD Series	
14	8202BY-054	1	右外后视镜镜面 Outer Rear View Mirror Face RH		右驾系列 RHD Series	
15	8202BY-056	1	前下视镜镜面 Front Downwards View Mirror Face		右驾系列 RHD Series	
16	8201B-010	1	内后视镜总成 Inner Rear View Mirror Assembly			
17	8204B-010	1	左遮阳板总成 Sunshade Assembly LH			
	8204B-040	1	右遮阳板总成 Sunshade Assembly RH			
18	Q174B0620	4	六角头头部带十字槽螺栓 Hexagon Head Bolt W/ Cross Recessed Head			
19	Q40306	4	弹簧垫圈 Spring Washer			
20	Q40106	4	平垫圈 Plate Washer			
21	Q2140830	9	十字槽盘头螺钉 Cross Recessed Pan Head Screw			
22	Q40308	9	弹簧垫圈 Spring Washer			
23	Q40108	9	平垫圈 Plate Washer			
24	Q2360616	2	十字槽平垫组合螺栓 Cross Recessed Combination Bolt With Plate Washer			
25	Q2540635	4	十字槽沉头螺钉 Cross Recessed Countersunk Head Screw			

后视镜、遮阳板 (右驾系列) / REAR VIEW MIRROR, SUNSHADE (RHD SERIES)

82-B



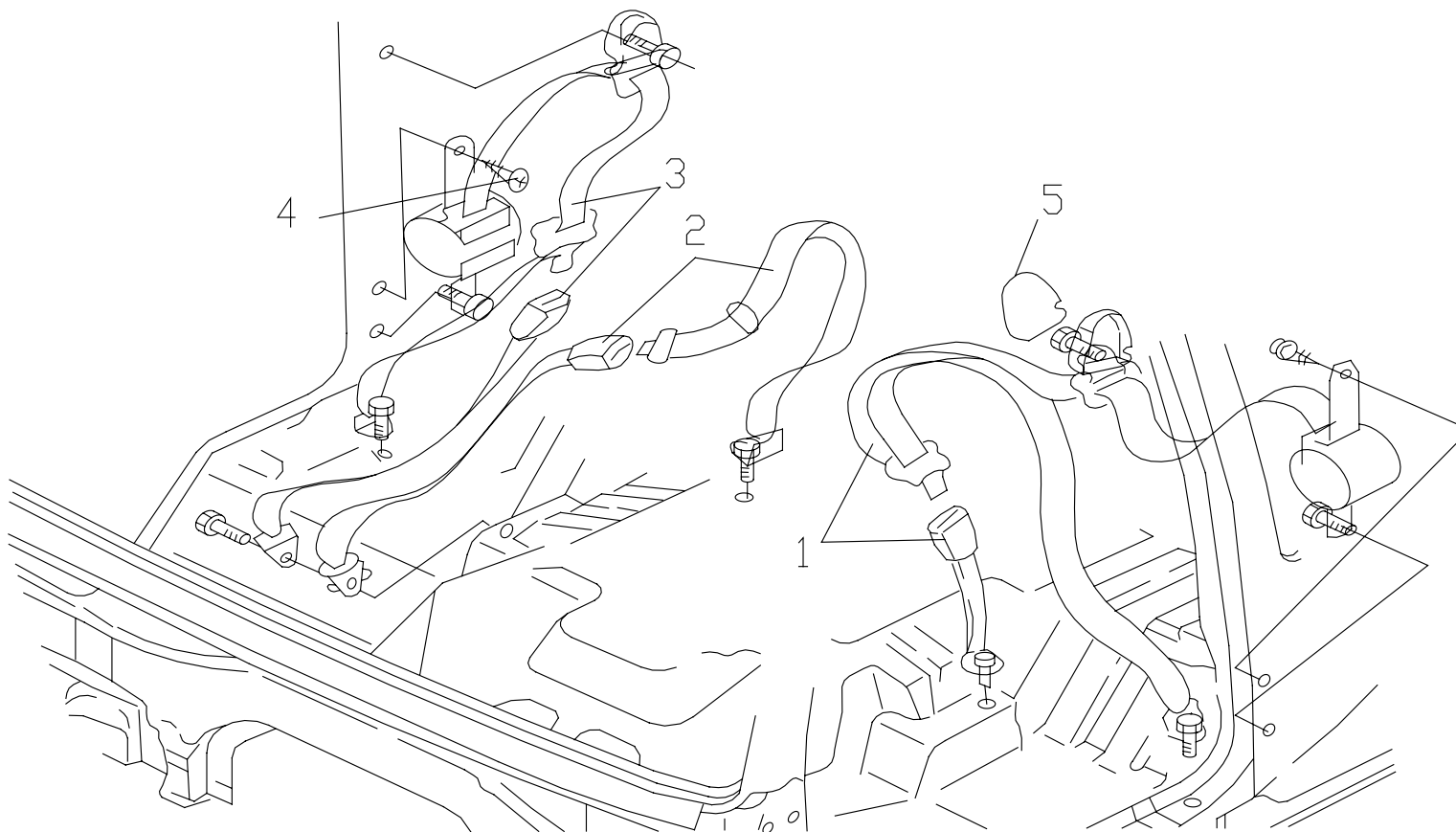
附件系统 / ACCESSORY SYSTEM

82-12

序号 No.	件号 Part No.	数量 Quantity	名称 Name	规格 Specification	适用产品 Products Applied	备注 Remark
26	Q2734816	2	十字槽大半圆头自攻螺钉 Cross Recessed Cup Head Self-Tapping Screw With Large Head			
27	57B-02014	1	前顶橡胶堵盖 Front Roof Rubber Block Cover			

安全带装置 / SEAT BELT

82-C



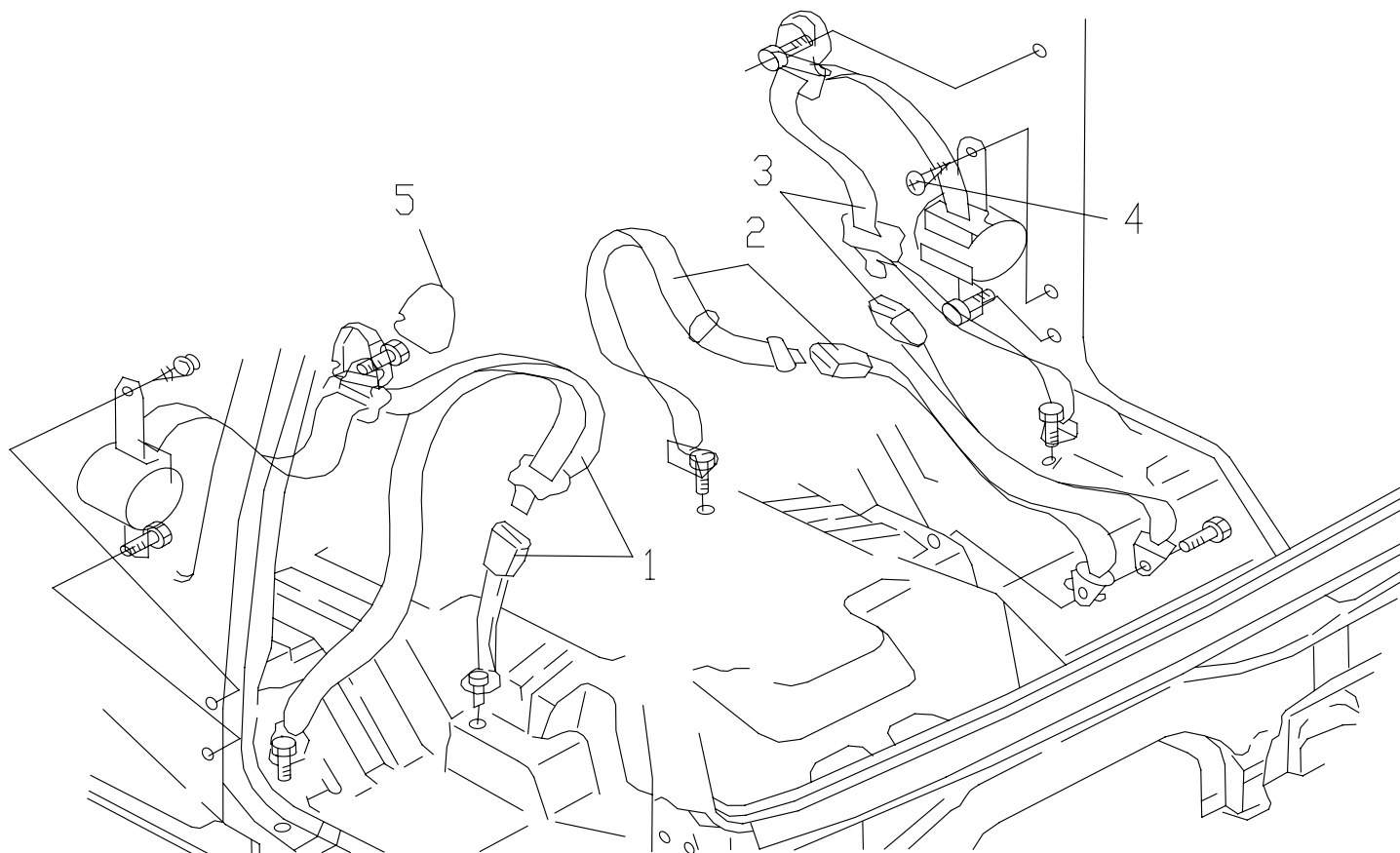
附件系统 / ACCESSORY SYSTEM

82-14

序号 No.	件号 Part No.	数量 Quantity	名称 Name	规格 Specification	适用产品 Products Applied	备注 Remark
1	82B-12010	1	司机安全带总成 Driver Seat Belt Assembly			
2	82B-12048	1	中间安全带总成 Middle Seat Belt Assembly			
3	82B-12050	1	乘客安全带总成 Passenger Seat Belt Assembly			
4	Q2734816	2	十字槽大半圆头自攻螺钉 Cross Recessed Cup Head Self-Tapping Screw With Large Head			
5	54B1-02135	1	左安全带上锁附盖板 Left Seat Belt Upper Lock Cover Board			
	54B1-02136	1	右安全带上锁附盖板 Right Seat Belt Upper Lock Cover Board			

安全带装置 (右驾系列) / SEAT BELT (RHD SERIES)

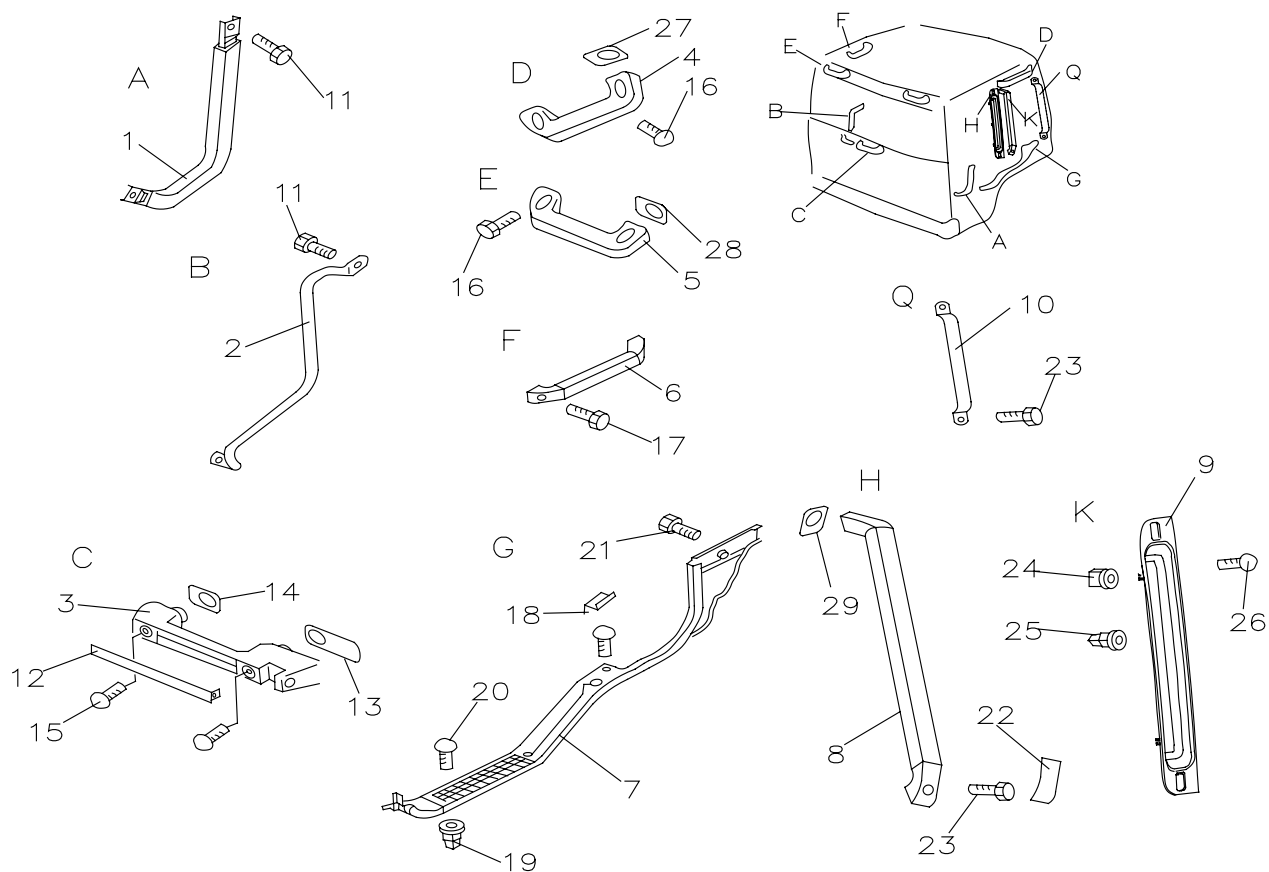
82-D



序号 No.	件号 Part No.	数量 Quantity	名称 Name	规格 Specification	适用产品 Products Applied	备注 Remark
1	82B-12010	1	司机安全带总成 Driver Seat Belt Assembly			
2	82B-12048	1	中间安全带总成 Middle Seat Belt Assembly			
3	82B-12050	1	乘客安全带总成 Passenger Seat Belt Assembly			
4	Q2734816	2	十字槽大半圆头自攻螺钉 Cross Recessed Cup Head Self-Tapping Screw With Large Head			
5	54B1-02135	1	左安全带上锁附盖板 Left Seat Belt Upper Lock Cover Board			
	54B1-02136	1	右安全带上锁附盖板 Right Seat Belt Upper Lock Cover Board			

扶手 / ARM REST

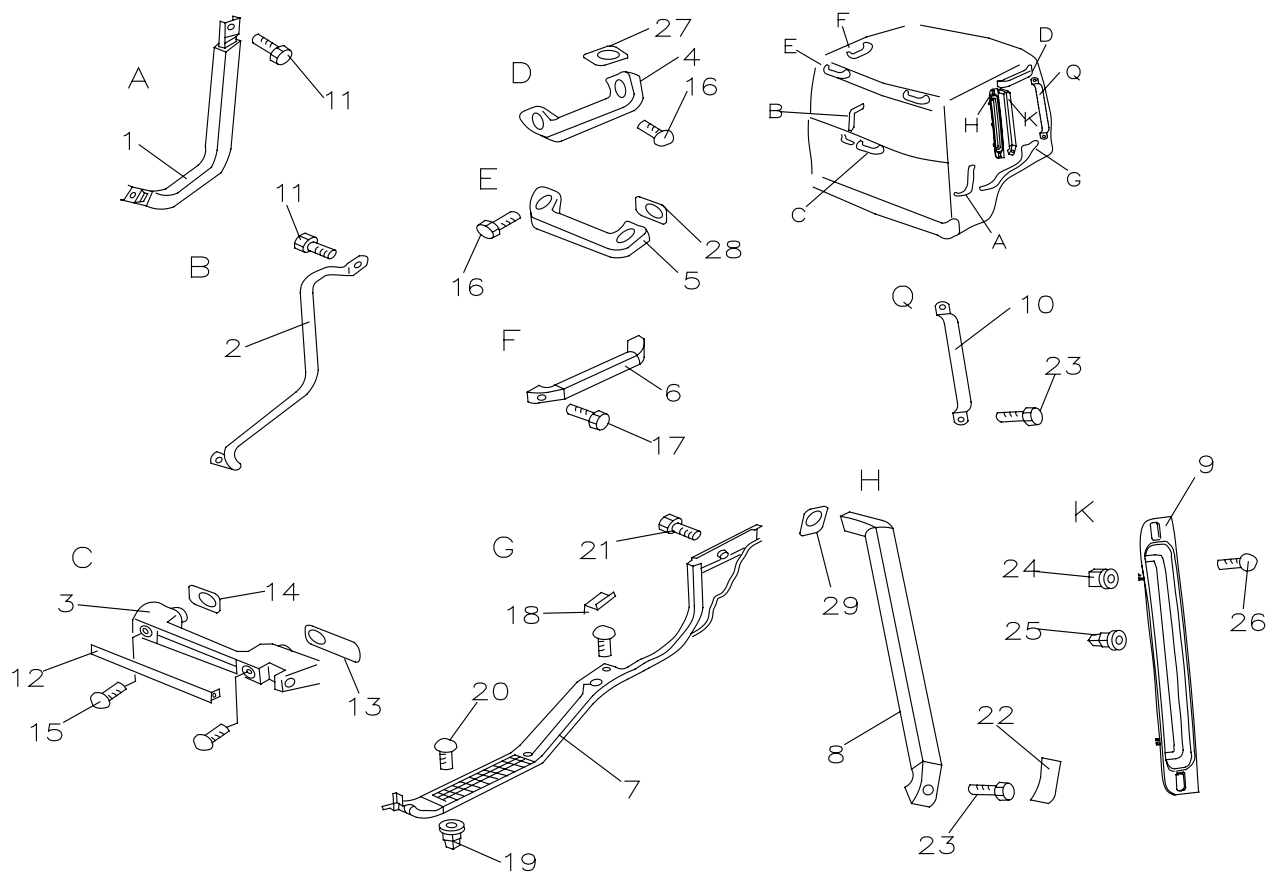
82-E



序号 No.	件号 Part No.	数量 Quantity	名称 Name	规格 Specification	适用产品 Products Applied	备注 Remark
1	53A-05195	1	仪表板左扶手 Dashboard Arm Rest LH			
	53A-05196	1	仪表板右扶手 Dashboard Arm Rest RH			
2	82B-07012	1	右侧门把手 Door Handle RH			
	82B-07011	1	左侧门把手 Door Handle LH		搅拌车 / 自卸车无 Except Mixer, Dump Truck	
3	82B-07025	1	前风窗下把手 - 左 Front Windshield Lower Handle-LH			
	82B-07026	1	前风窗下把手 - 右 Front Windshield Lower Handle-RH			
4	82B-07045	2	侧窗上把手 Side Window Upper Handle			
5	82B-07015	2	顶盖外把手 Roof Cover Outer Handle			
6	82B-07050	1	乘客扶手总成 Passenger Arm Rest Assembly			
7	54B1-02111	1	左门槛饰板 Door Sill Trim Board LH		非搅拌车、非自卸车 Except Mixer, Dump Truck	
	54AD-02111	1	左门槛饰板 Door Sill Trim Board LH		搅拌车、自卸车 Mixer, Dump Truck	
	54B1-02112	1	右门槛饰板 Door Sill Trim Board RH			
8	82B-07035	2	侧围把手总成 Quarter Handle Assembly			
9	82B-07037/38	1/1	左 / 右侧围把手装饰板 Quarter Handle Trim Board LH/RH			

扶手 / ARM REST

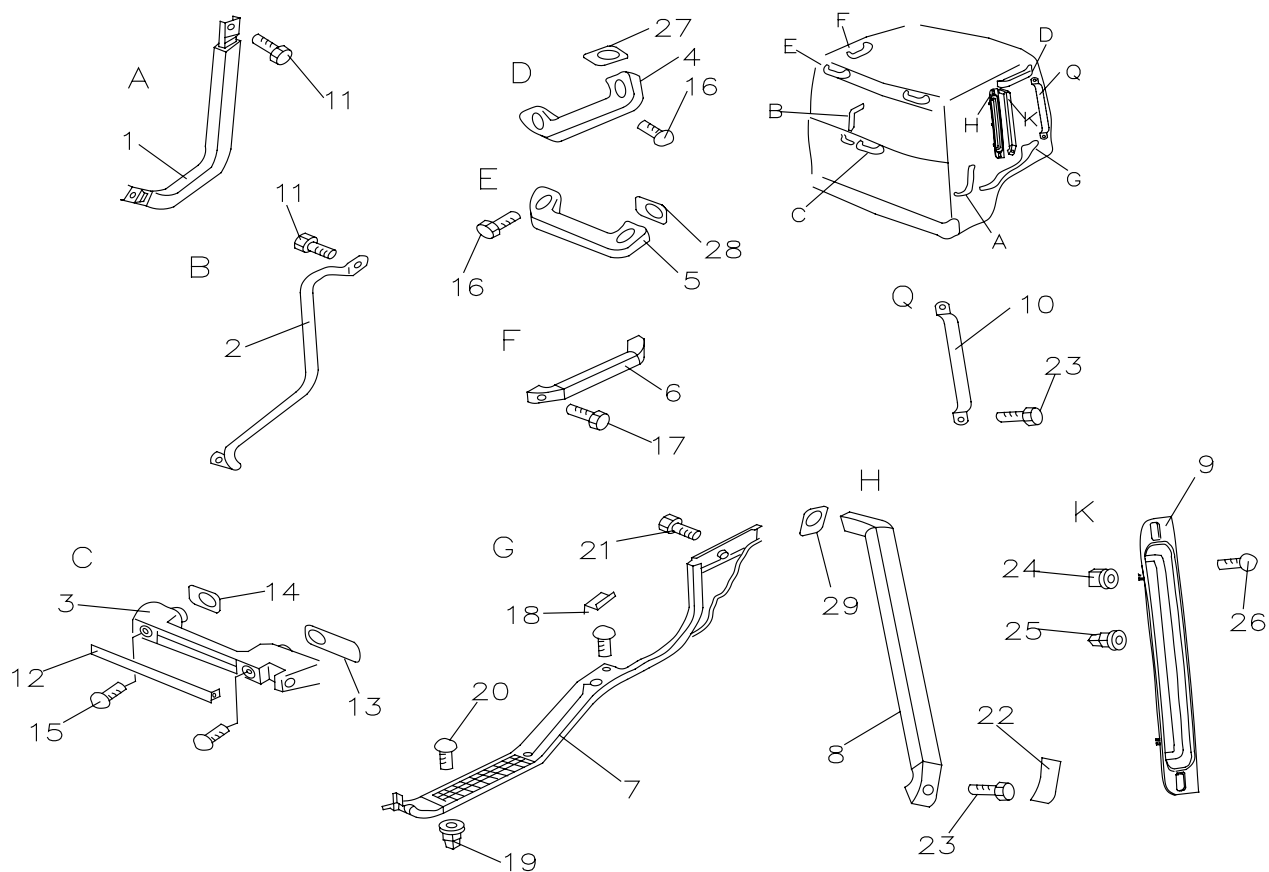
82-E



序号 No.	件号 Part No.	数量 Quantity	名称 Name	规格 Specification	适用产品 Products Applied	备注 Remark
10	82B-07055	1	左后侧外把手 Rear Side Outer Handle LH			
11	Q1460816	8	六角头组合螺栓 Hexagon Head Combination Bolt			
12	82B-07030	2	前风窗下把手装饰条 Front Windshield Lower Handle Trim			
13	82B-07027	2	前风窗下把手橡胶垫 - 大 Front Windshield Lower Handle Rubber Washer-Big			
14	82B-07028	2	前风窗下把手橡胶垫 - 小 Front Windshield Lower Handle Rubber Washer-Small			
15	Q1460830	4	六角头组合螺栓 Hexagon Head Combination Bolt			
16	Q1460825	8	六角头组合螺栓 Hexagon Head Combination Bolt			
17	Q2140620	2	十字槽盘头螺钉 Cross Recessed Pan Head Screw			
18	54B1-02114	2	门槛饰板堵盖 Door Sill Trim Board Block Cover			
19	51A-03012	10/9	圆型塑料螺母 F Round Plastic Nut F		搅拌车 / 自卸车为 9 个 9 Pieces In Mixer And Dump Truck	
20	Q2715532	8/7	十字槽盘头自攻螺钉 -C 型 Cross Recessed Pan Head Self-Tapping Screw-C Type		搅拌车 / 自卸车为 7 个 7 Pieces In Mixer And Dump Truck	
21	Q2715519	2	十字槽盘头自攻螺钉 -C 型 Cross Recessed Pan Head Self-Tapping Screw-C Type			
22	82B-07034	2	侧围把手堵盖 Quarter Handle Block Cover			
23	Q1460820	6	六角头组合螺栓 Hexagon Head Combination Bolt			

扶手 / ARM REST

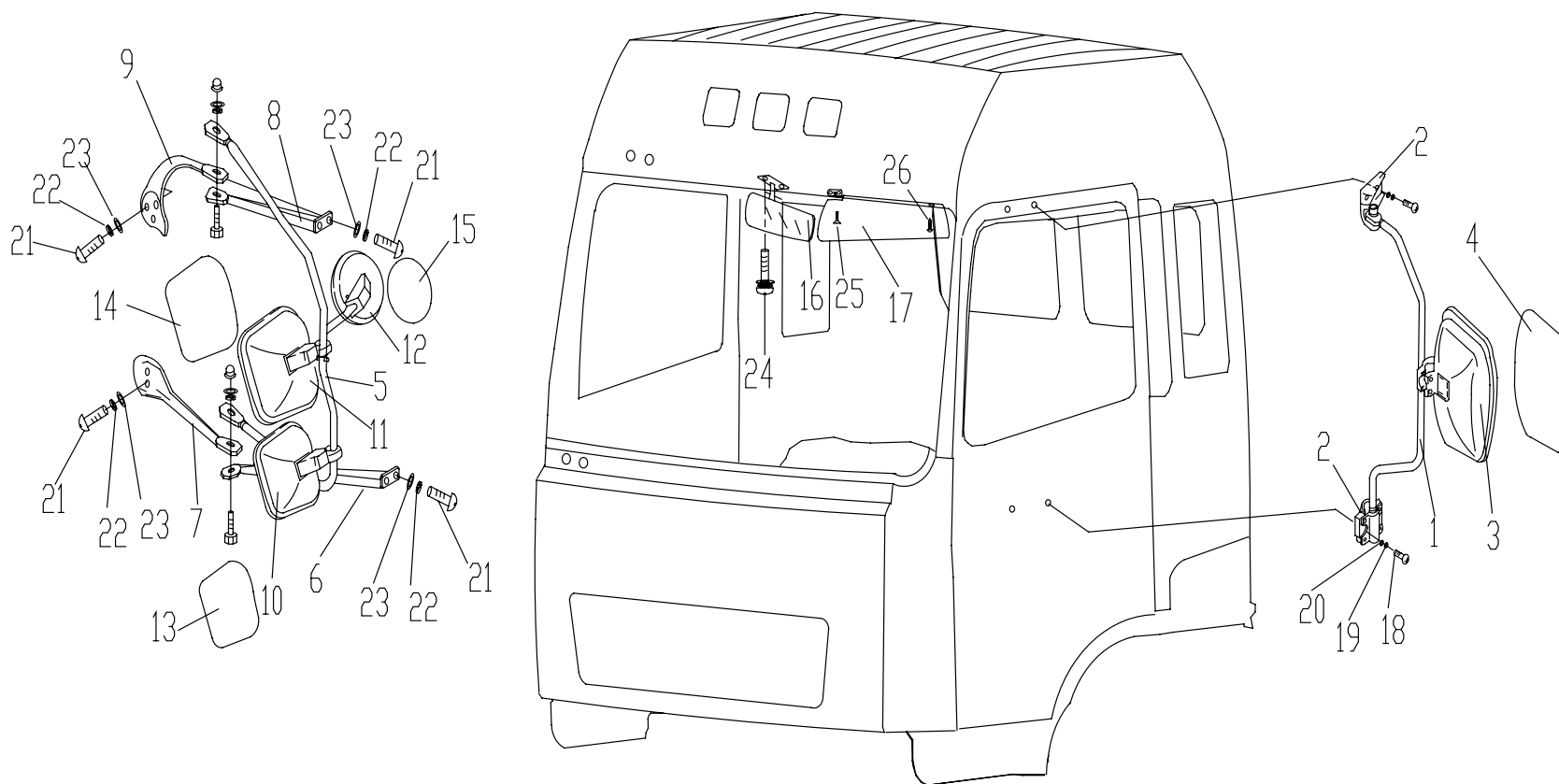
82-E



序号 No.	件号 Part No.	数量 Quantity	名称 Name	规格 Specification	适用产品 Products Applied	备注 Remark
24	82B-07043	6	塑料卡扣 A Plastic Buckle A			
25	82B-07044	6	圆型塑料螺母 A Round Plastic Nut A			
26	Q2734816	6	十字槽大半圆头自攻螺钉 Cross Recessed Cup Head Self-Tapping Screw With Large Head			
27	82B-07046	4	侧窗上把手橡胶垫 Side Window Upper Handle Rubber Washer			
28	82B-07016	4	顶盖外把手橡胶垫 Roof Cover Outer Handle Rubber Washer			
29	82B-07036	4	侧围把手橡胶垫 Quarter Handle Rubber Washer			
	54AD-03020	1	操纵手柄及支架总成 -PTO Control Knob And Bracket Assembly-PTO		搅拌车 / 自卸车专用 Only For Mixer And Dump Truck	
	Q1460825	3	六角头组合螺栓 Hexagon Head Combination Bolt		搅拌车 / 自卸车专用 Only For Mixer And Dump Truck	

后视镜、遮阳板 / REAR VIEW MIRROR, SUNSHADE

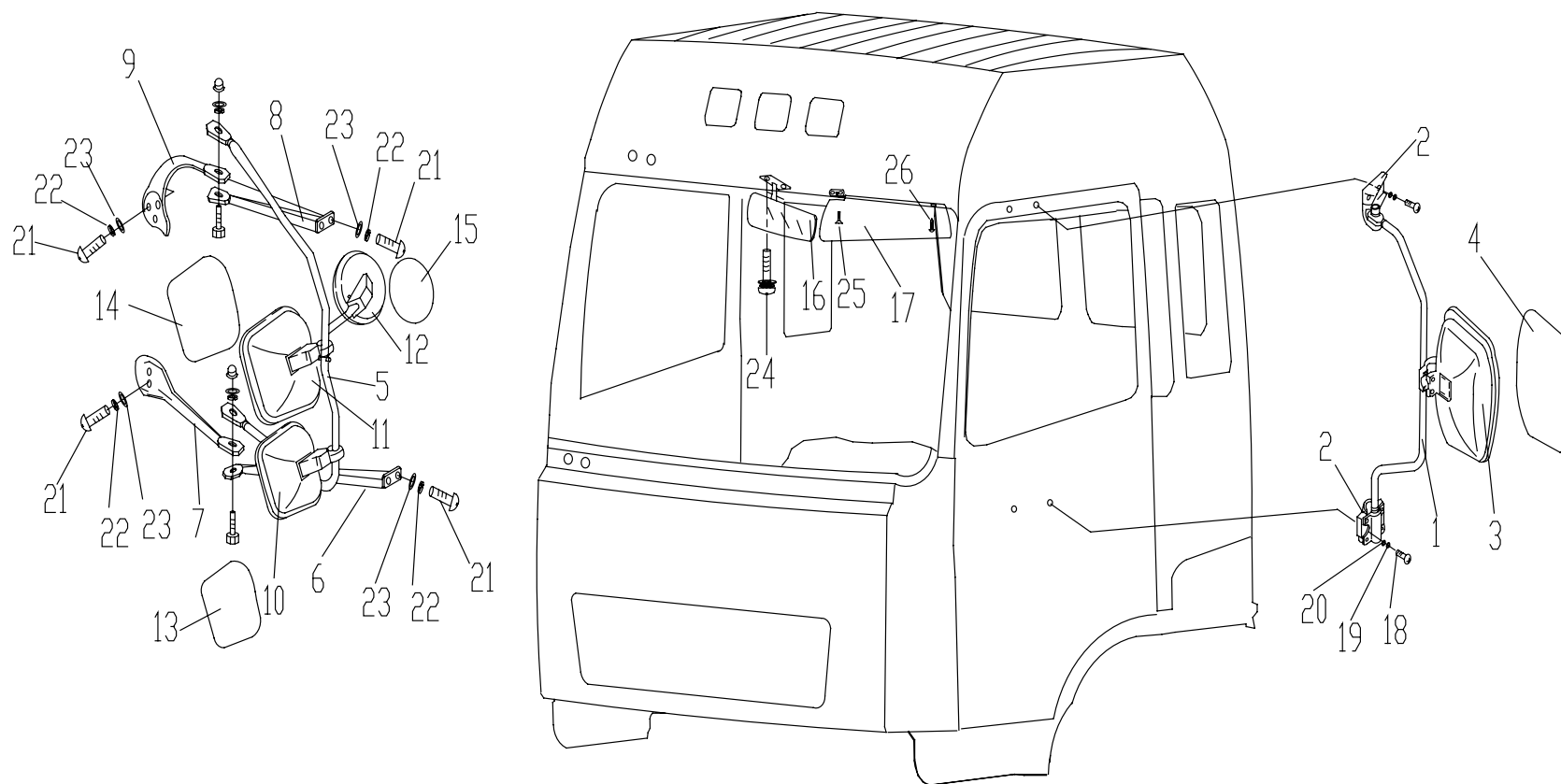
82-F



序号 No.	件号 Part No.	数量 Quantity	名称 Name	规格 Specification	适用产品 Products Applied	备注 Remark
	8202B-010	1	左外后视镜总成 Outer Rear View Mirror Assembly LH		82-F 部分为高顶驾驶室专用 82-F Only For High Roof Cab	
1	8202B-011	1	左外后视镜支架 Outer Rear View Mirror Bracket LH			
2	8202B-013	2	左外后视镜铝合金支座 Outer Rear View Mirror Aluminium Alloy Pedestal LH			
3	8202B-012	1	左外后视镜镜盖总成 Outer Rear View Mirror Cover Assembly LH			
4	8202B-014	1	左外后视镜镜面 Outer Rear View Mirror Face LH			
	8202G-040	1	右外后视镜总成 Outer Rear View Mirror Assembly RH			
5	8202G-041	1	右外后视镜支架 Outer Rear View Mirror Bracket RH			
6	8202B-044	1	左下支架 - 右外后视镜 Lower Bracket LH-Outer Rear View Mirror RH			
7	8202B-045	1	右下支架 - 右外后视镜 Lower Bracket RH-Outer Rear View Mirror RH			
8	8202B-042	1	左上支架 - 右外后视镜 Upper Bracket LH-Outer Rear View Mirror RH			
9	8202B-043	1	右上支架 - 右外后视镜 Upper Bracket RH-Outer Rear View Mirror RH			
10	8202B-051	1	右下后视镜镜盖总成 Downwards Rear View Mirror Cover Assembly RH			
11	8202B-052	1	右外后视镜镜盖总成 Outer Rear View Mirror Cover Assembly RH			
12	8202B-053	1	前下视镜镜盖总成 Front Downwards View Mirror Cover Assembly			

后视镜、遮阳板 / REAR VIEW MIRROR, SUNSHADE

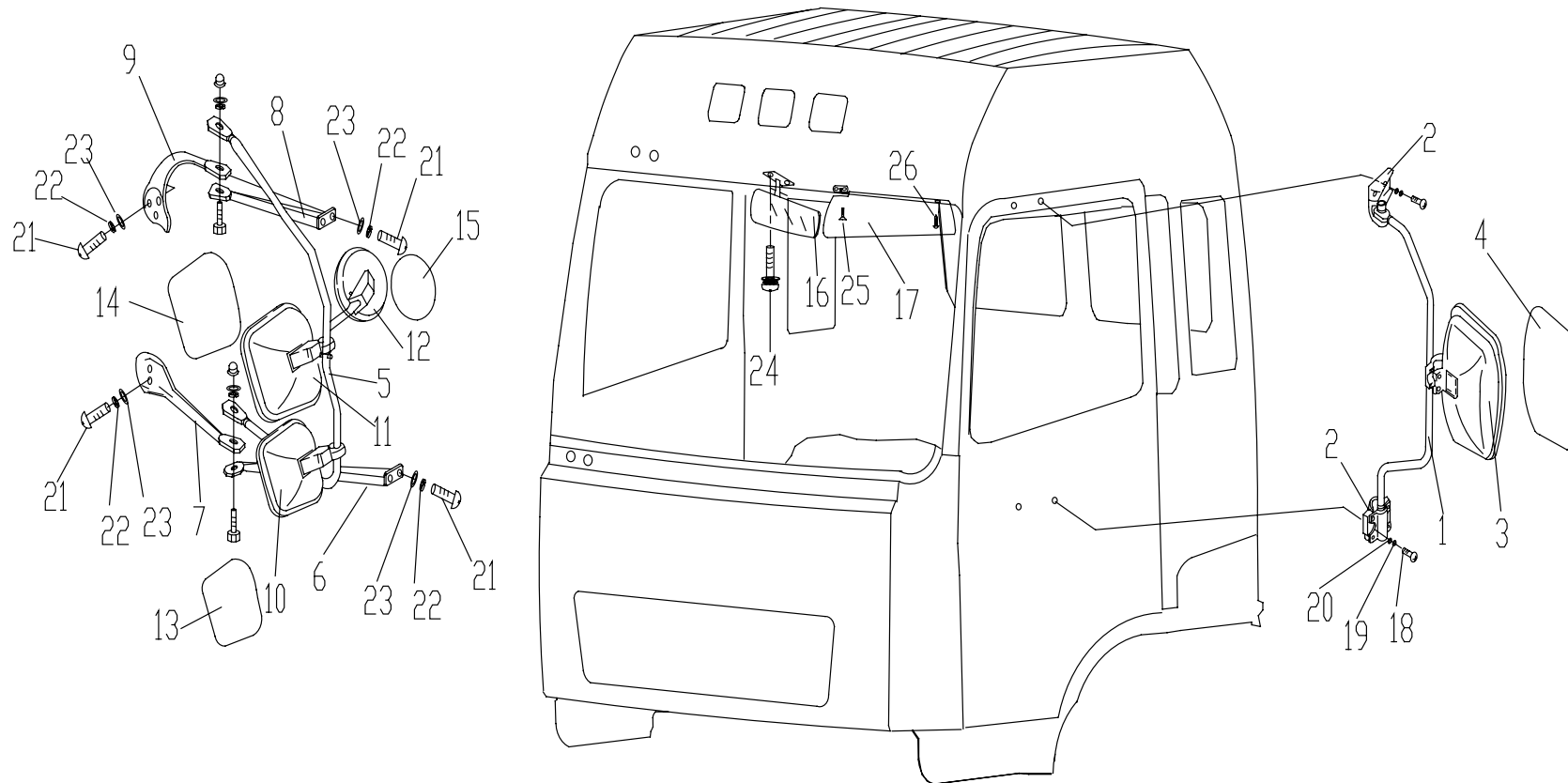
82-F



序号 No.	件号 Part No.	数量 Quantity	名称 Name	规格 Specification	适用产品 Products Applied	备注 Remark
13	8202B-054	1	右下后视镜镜面 Downwards Rear View Mirror Face RH			
14	8202B-055	1	右外后视镜镜面 Outer Rear View Mirror Face RH			
15	8202B-056	1	前下视镜镜面 Front Downwards View Mirror Face			
16	8201B-010	1	内后视镜总成 Inner Rear View Mirror Assembly			
17	8204B-010	1	左遮阳板总成 Sunshade Assembly LH			
	8204B-040	1	右遮阳板总成 Sunshade Assembly RH			
18	Q174B0620	4	六角头头部带十字槽螺栓 Hexagon Head Bolt W/ Cross Recessed Head			
19	Q40306	4	弹簧垫圈 Spring Washer			
20	Q40106	4	平垫圈 Plate Washer			
21	Q2140830	9	十字槽盘头螺钉 Cross Recessed Pan Head Screw			
22	Q40308	9	弹簧垫圈 Spring Washer			
23	Q40108	9	平垫圈 Plate Washer			
24	Q2360616	2	十字槽平垫组合螺栓 Cross Recessed Combination Bolt With Plate Washer			
25	Q2540635	4	十字槽沉头螺钉 Cross Recessed Countersunk Head Screw			

后视镜、遮阳板 / REAR VIEW MIRROR, SUNSHADE

82-F



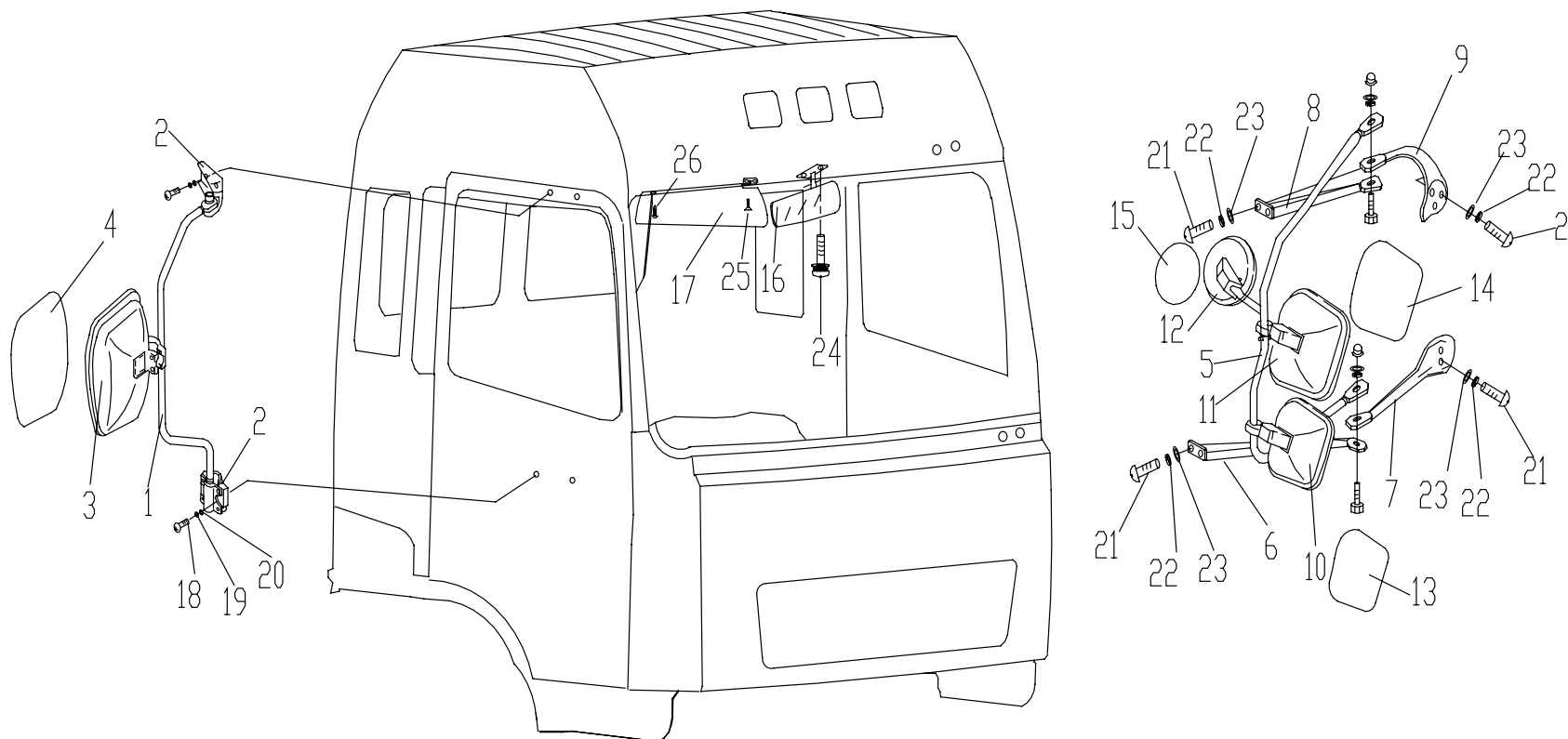
附件系统 / ACCESSORY SYSTEM

82-28

序号 No.	件号 Part No.	数量 Quantity	名称 Name	规格 Specification	适用产品 Products Applied	备注 Remark
26	Q2734816	2	十字槽大半圆头自攻螺钉 Cross Recessed Cup Head Self-Tapping Screw With Large Head			

后视镜、遮阳板 (右驾系列) / REAR VIEW MIRROR, SUNSHADE (RHD SERIES)

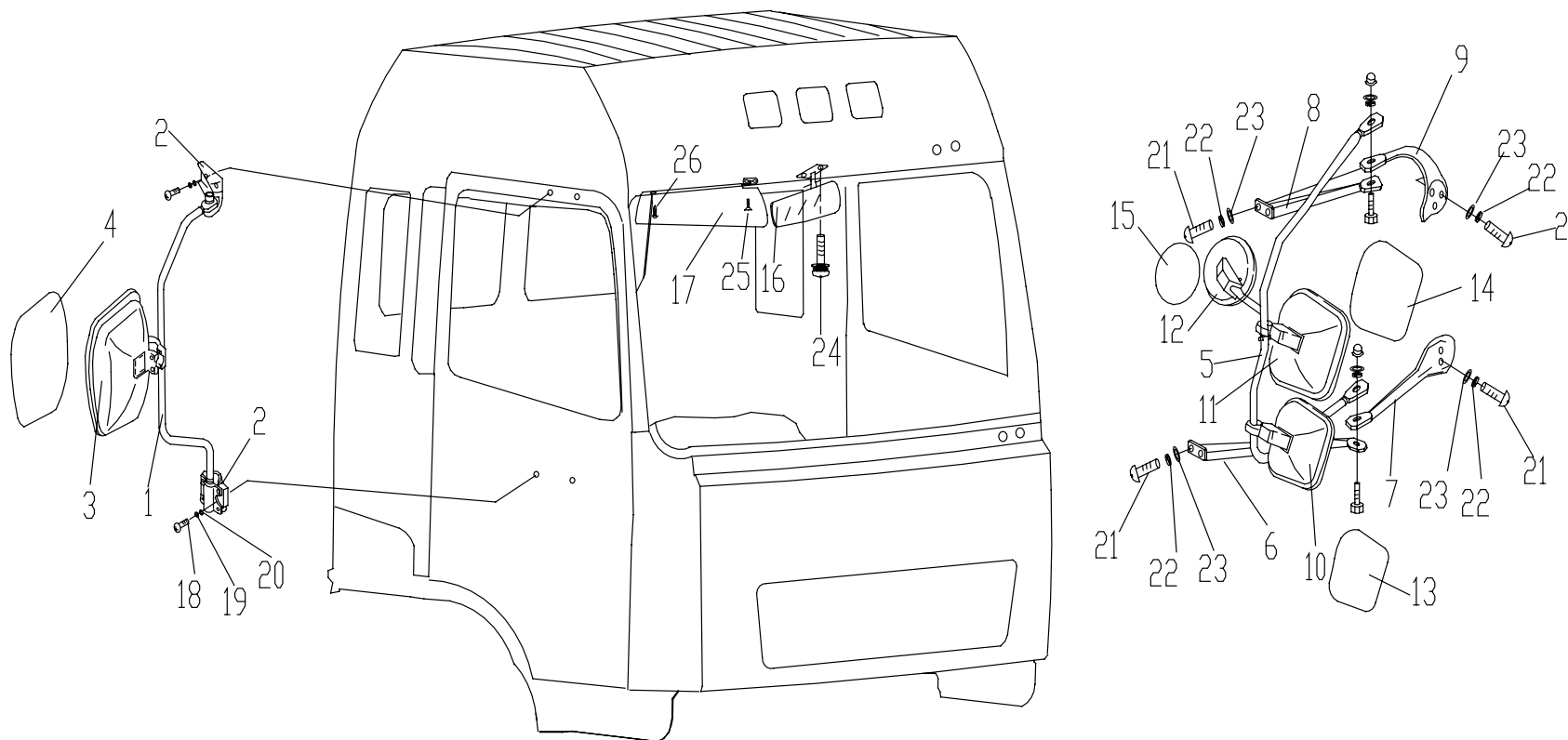
82-G



序号 No.	件号 Part No.	数量 Quantity	名称 Name	规格 Specification	适用产品 Products Applied	备注 Remark
	8202BY-010	1	左外后视镜总成 Outer Rear View Mirror Assembly LH		右驾系列 RHD Series	
1	8202BY-011	1	左外后视镜支架 Outer Rear View Mirror Bracket LH		右驾系列 RHD Series	
2	8202BY-013	2	左外后视镜铝合金支座 Outer Rear View Mirror Aluminium Alloy Pedestal LH		右驾系列 RHD Series	
3	8202BY-012	1	左外后视镜镜盖总成 Outer Rear View Mirror Cover Assembly LH		右驾系列 RHD Series	
4	8202BY-014	1	左外后视镜镜面 Outer Rear View Mirror Face LH		右驾系列 RHD Series	
	8202GY-040	1	右外后视镜总成 Outer Rear View Mirror Assembly RH		右驾系列 RHD Series	
5	8202GY-041	1	右外后视镜支架 Outer Rear View Mirror Bracket RH		右驾系列 RHD Series	
6	8202BY-044	1	左下支架 - 右外后视镜 Lower Bracket LH-Outer Rear View Mirror RH		右驾系列 RHD Series	
7	8202BY-045	1	右下支架 - 右外后视镜 Lower Bracket RH-Outer Rear View Mirror RH		右驾系列 RHD Series	
8	8202BY-042	1	左上支架 - 右外后视镜 Upper Bracket LH-Outer Rear View Mirror RH		右驾系列 RHD Series	
9	8202BY-043	1	右上支架 - 右外后视镜 Upper Bracket RH-Outer Rear View Mirror RH		右驾系列 RHD Series	
10	8202BY-051	1	右下后视镜镜盖总成 Downwards Rear View Mirror Cover Assembly RH		右驾系列 RHD Series	
11	8202BY-052	1	右外后视镜镜盖总成 Outer Rear View Mirror Cover Assembly RH		右驾系列 RHD Series	
12	8202BY-053	1	前下视镜镜盖总成 Front Downwards View Mirror Cover Assembly		右驾系列 RHD Series	

后视镜、遮阳板 (右驾系列) / REAR VIEW MIRROR, SUNSHADE (RHD SERIES)

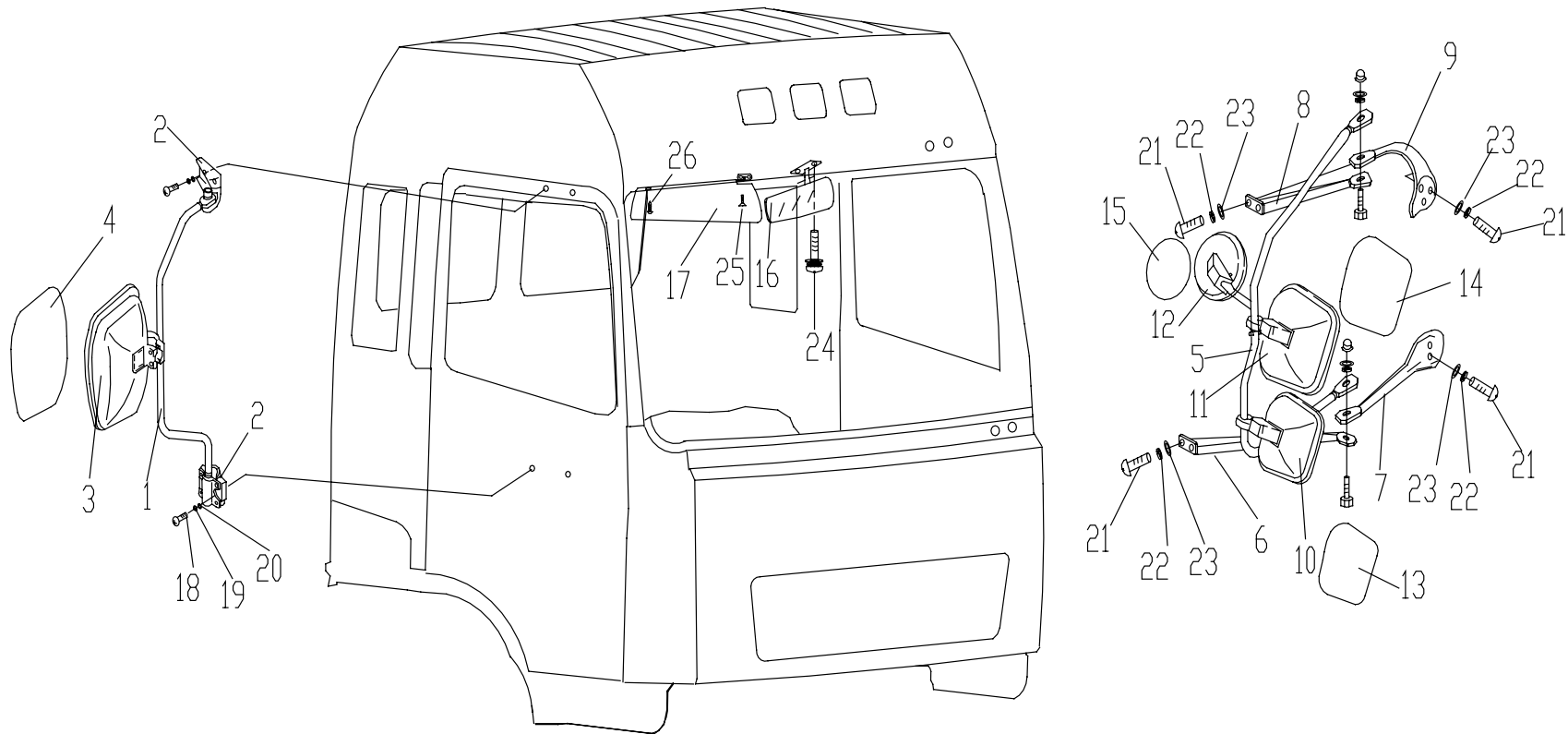
82-G



序号 No.	件号 Part No.	数量 Quantity	名称 Name	规格 Specification	适用产品 Products Applied	备注 Remark
13	8202BY-054	1	右下后视镜镜面 Downwards Rear View Mirror Face RH		右驾系列 RHD Series	
14	8202BY-055	1	右外后视镜镜面 Outer Rear View Mirror Face RH		右驾系列 RHD Series	
15	8202BY-056	1	前下视镜镜面 Front Downwards View Mirror Face		右驾系列 RHD Series	
16	8201B-010	1	内后视镜总成 Inner Rear View Mirror Assembly			
17	8204B-010	1	左遮阳板总成 Sunshade Assembly LH			
	8204B-040	1	右遮阳板总成 Sunshade Assembly RH			
18	Q174B0620	4	六角头头部带十字槽螺栓 Hexagon Head Bolt W/ Cross Recessed Head			
19	Q40306	4	弹簧垫圈 Spring Washer			
20	Q40106	4	平垫圈 Plate Washer			
21	Q2140830	9	十字槽盘头螺钉 Cross Recessed Pan Head Screw			
22	Q40308	9	弹簧垫圈 Spring Washer			
23	Q40108	9	平垫圈 Plate Washer			
24	Q2360616	2	十字槽平垫组合螺栓 Cross Recessed Combination Bolt With Plate Washer			
25	Q2540635	4	十字槽沉头螺钉 Cross Recessed Countersunk Head Screw			

后视镜、遮阳板 (右驾系列) / REAR VIEW MIRROR, SUNSHADE (RHD SERIES)

82-G



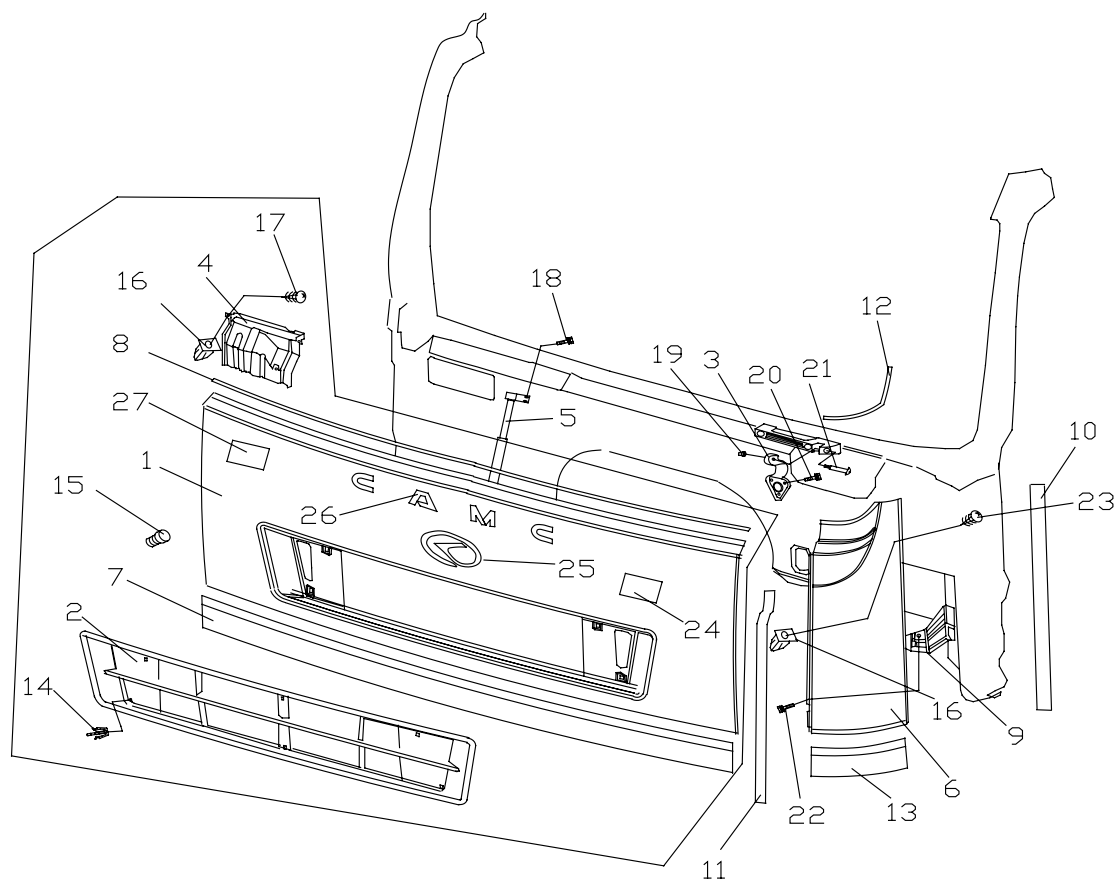
序号 No.	件号 Part No.	数量 Quantity	名称 Name	规格 Specification	适用产品 Products Applied	备注 Remark
26	Q2734816	2	十字槽大半圆头自攻螺钉 Cross Recessed Cup Head Self-Tapping Screw With Large Head			

84

前盖板组件
FRONT COVER
PANEL SET

前盖板 / FRONT COVER PANEL

84-A



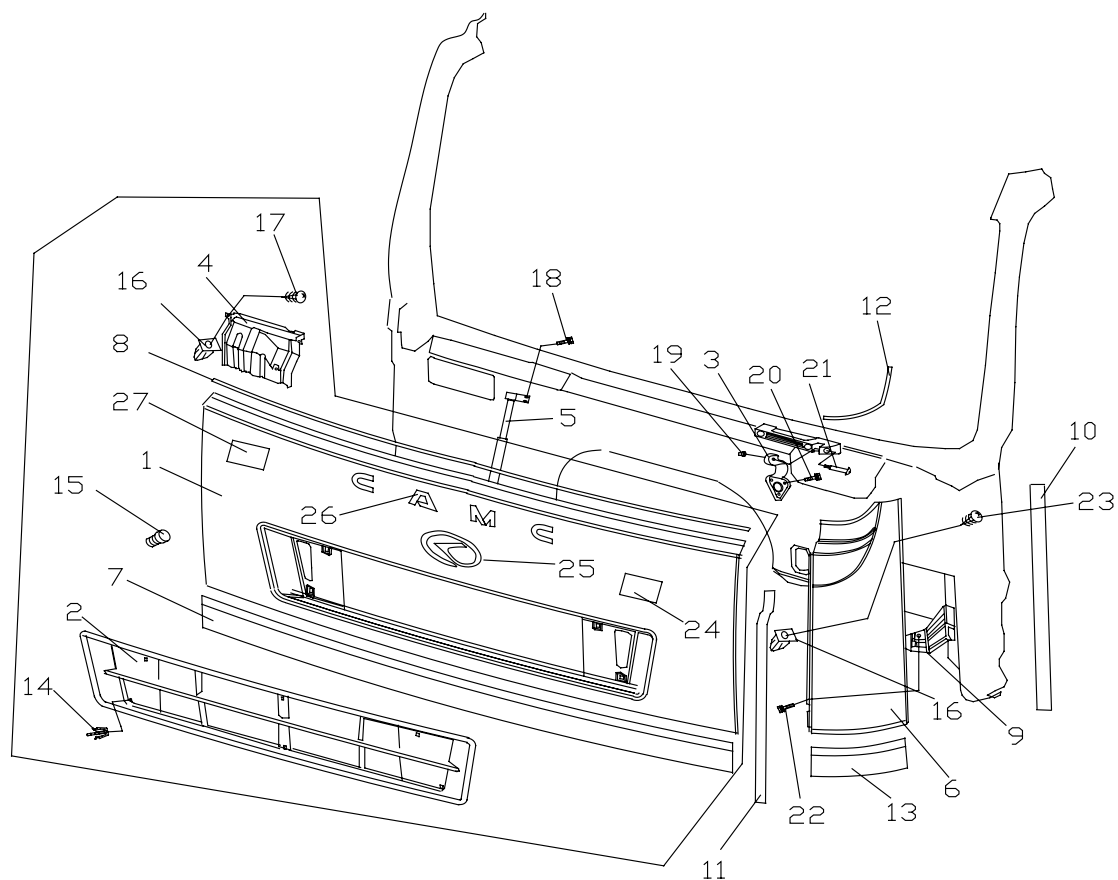
前盖板组件 / FRONT COVER PANEL SET

84-2

序号 No.	件号 Part No.	数量 Quantity	名称 Name	规格 Specification	适用产品 Products Applied	备注 Remark
	84A1-01009	1	前盖板总成 Front Cover Panel Assembly			
1	84A1-01010	1	前盖板焊接总成 Front Cover Panel Welding Assembly			
2	84A1-01315	1	前面罩 Front Grille			
3	84A1-01307	2	前盖板铰链 Front Cover Panel Hinge			
	84E-01307	2	前盖板铰链 Front Cover Panel Hinge		欧款系列 Europe Series	
4	84A-01325	1	隔热护板总成 Insulator Shield Assembly			
	84AY-01325	1	隔热护板总成 Insulator Shield Assembly		右驾系列 RHD Series	
	84E-01325	1	隔热护板总成 Insulator Shield Assembly		欧款系列 Europe Series	
5	84A1-01370	2	气弹簧撑杆总成 Air Spring Stay Rod Assembly			
	84E-01370	2	气弹簧撑杆总成 Air Spring Stay Rod Assembly		欧款系列 Europe Series	
6	53B1-01369	1	左侧外板总成 Outer Panel Assembly LH			
	53B1-01370	1	右侧外板总成 Outer Panel Assembly RH			
7	84A-01331	1	防尘条 - 外盖板 Dustproof Molding-Outer Cover Panel			
8	53A-01375	1	前盖板上密封条总成 Front Cover Panel Upper Weather Strip Assembly			

前盖板 / FRONT COVER PANEL

84-A



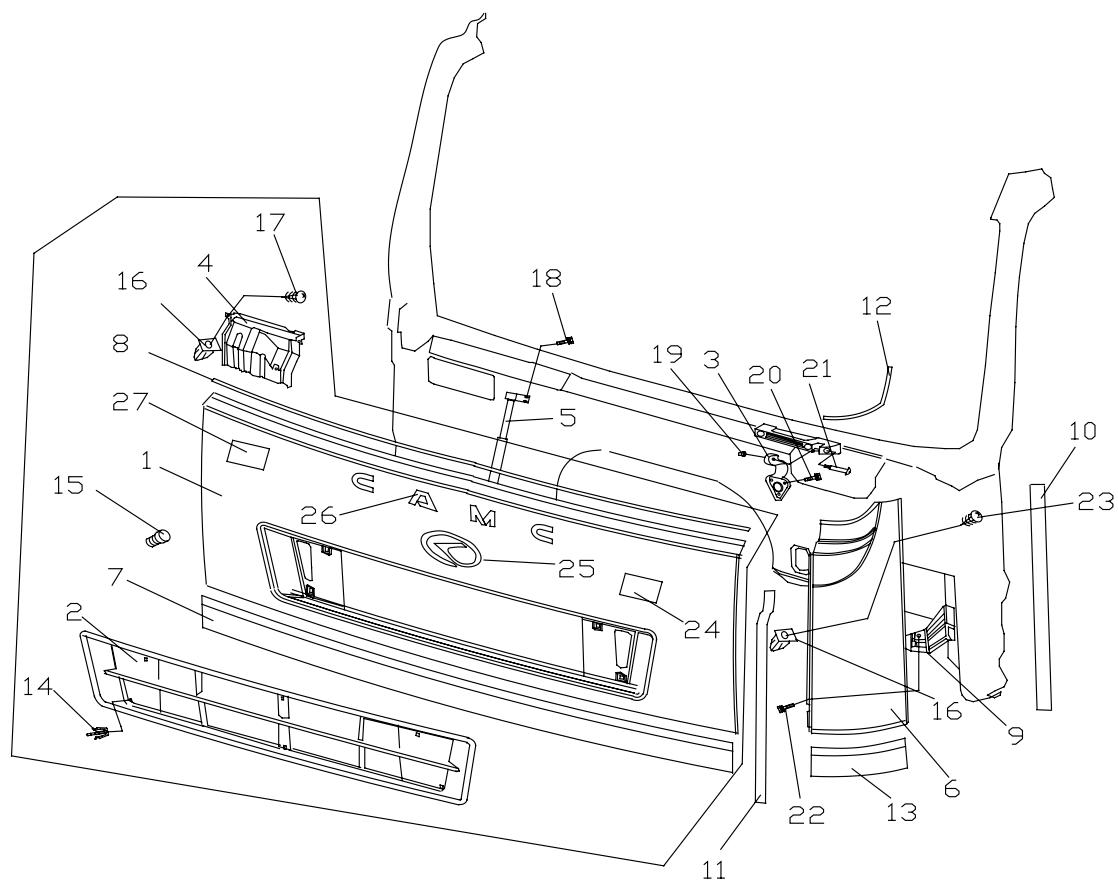
前盖板组件 / FRONT COVER PANEL SET

84-4

序号 No.	件号 Part No.	数量 Quantity	名称 Name	规格 Specification	适用产品 Products Applied	备注 Remark
9	53A-01353	1	下支架总成—左外侧板 Lower Bracket Assembly-Outer Side Panel LH			
	53A-01355	1	下支架总成—右外侧板 Lower Bracket Assembly-Outer Side Panel RH			
10	61B-07065	1	左门框下密封条总成 Frame Lower Weather Strip Assembly LH			
	61B-07066	1	右门框下密封条总成 Frame Lower Weather Strip Assembly RH			
11	53A-01382	1	前盖板侧密封条总成 Front Cover Panel Side Weather Strip Assembly			
12	53B1-01373	1	左外侧板上密封条 Outer Side Panel Upper Weather Strip LH			
	53B1-01376	1	右外侧板上密封条 Outer Side Panel Upper Weather Strip RH			
13	84A-01332	2	防尘条—外侧板 Dustproof Molding-Outer Side Panel			
14	84A-01053	1	W形塑料卡扣 W-Plastic Buckle			
15	84A-01361	2	橡胶缓冲垫—前盖板 Rubber Cushion-Front Cover Panel			
16	54B-02018	9	方型塑料螺母 A Square Plastic Nut A			
17	Q2734816	6	十字槽大半圆头自攻螺钉—C型 Cross Recessed Cup Head Self-Tapping Screw With Large Head-C Type			
18	Q1460820	8	六角头组合螺栓 Hexagon Head Combination Bolt			
19	82B-07032	2	铰链塑料轴套 Hinge Plastic Bush			

前盖板 / FRONT COVER PANEL

84-A

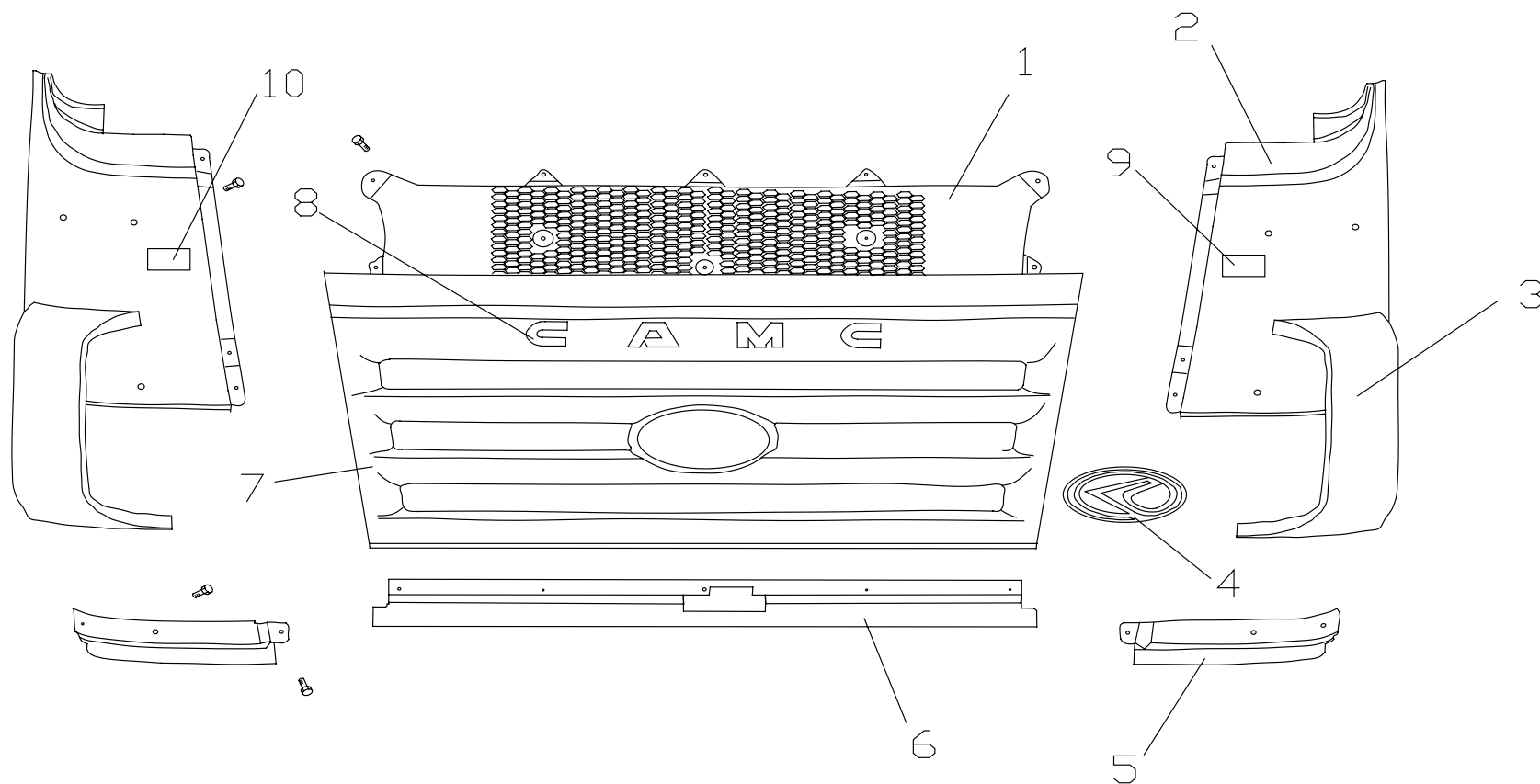


前盖板组件 / FRONT COVER PANEL SET

84-6

序号 No.	件号 Part No.	数量 Quantity	名称 Name	规格 Specification	适用产品 Products Applied	备注 Remark
20	Q1460820	6	六角头组合螺栓 Hexagon Head Combination Bolt			
21	82B-07029	2	螺钉 - 销轴 Screw-Axis Pin			
22	Q1460820	4	六角头组合螺栓 Hexagon Head Combination Bolt			
23	Q2735516	6	十字槽大半圆头自攻螺钉 -C 型 Cross Recessed Cup Head Self-Tapping Screw With Large Head-C Type			
24	84A-06025	1	“华菱” 字样 “Hua Ling” Sample			
25	84A-06011	1	华菱标徽 Hua Ling Symbol			
26	84A-06021	1	CAMC 标牌 CAMC Emblem			
27		1	动力标牌 Power Emblem			

欧款前围外饰件 FRONT-WALL EXTERIOR TRIMMING PARTS FOR EUROPE MODEL

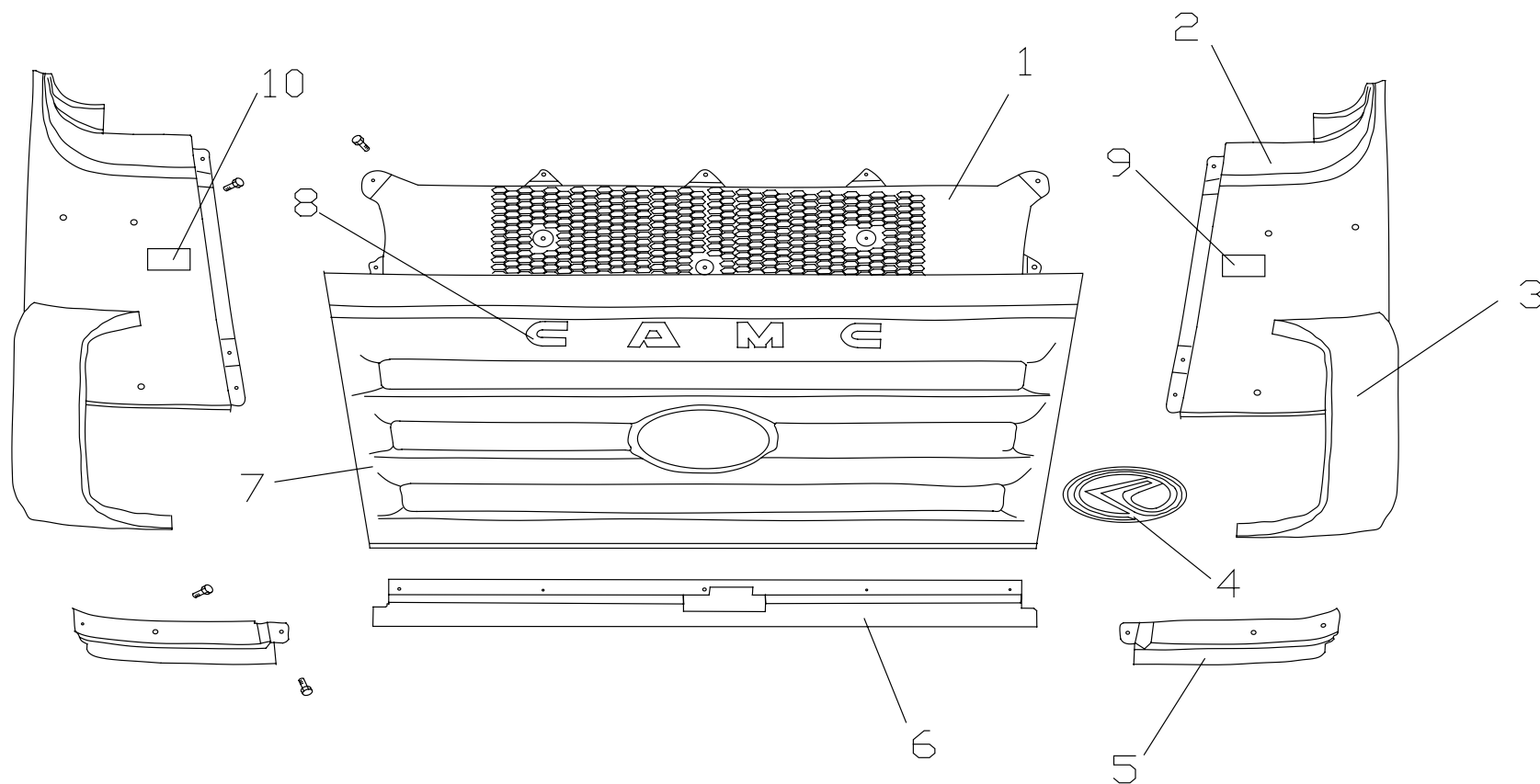
84-B

前盖板组件 / FRONT COVER PANEL SET

84-8

序号 No.	件号 Part No.	数量 Quantity	名称 Name	规格 Specification	适用产品 Products Applied	备注 Remark
1	84E-01015	1	前盖板隔栅 Front Cover Panel Grille		欧款系列 Europe Series	
	Q1840616	17	六角法兰面螺母 Hexagon Nut With Flange			
2	53E-01371	1	左外侧板 Outer Side Panel LH		欧款系列 Europe Series	
	53E-01372	1	右外侧板 Outer Side Panel RH		欧款系列 Europe Series	
	52B-02018	6	方型塑料螺母 Square Plastic Nut			
	Q1460620	4	六角头平弹垫组合螺栓 Hexagon Head Combination Bolt With Spring And Plate Washer			
	Q2735516	6	十字槽盘头自攻螺钉—C型 Cross Recessed Pan Head Self-Tapping Screw-C Type			
3	53E-01391	1	左外侧板扰流板 Outer Side Panel Spoiler LH		欧款系列 Europe Series	
	53E-01396	1	右外侧板扰流板 Outer Side Panel Spoiler RH		欧款系列 Europe Series	
	Q1840616	4	六角法兰面螺母 Hexagon Nut With Flange			
4	84E-06011	1	华菱标徽 Hua Ling Symbol		欧款系列 Europe Series	
5	53E-01387	1	左外侧板防尘条 Outer Side Panel Dustproof Molding LH		欧款系列 Europe Series	
	53E-01388	1	右外侧板防尘条 Outer Side Panel Dustproof Molding RH		欧款系列 Europe Series	
6	84E-01015	1	前盖板防尘条 Front Cover Panel Dustproof Molding		欧款系列 Europe Series	

欧款前围外饰件 FRONT-WALL EXTERIOR TRIMMING PARTS FOR EUROPE MODEL

84-B

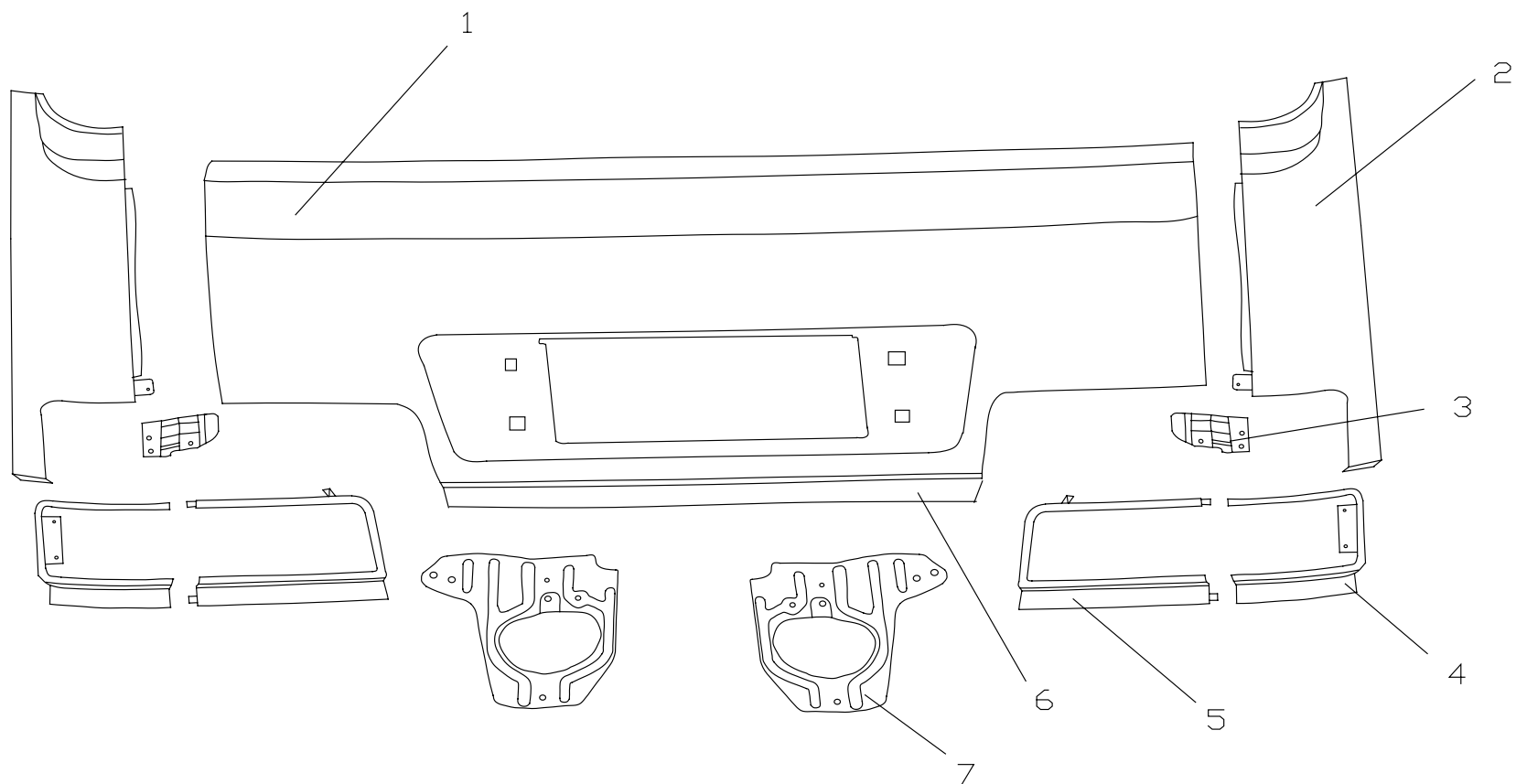
前盖板组件 / FRONT COVER PANEL SET

84-10

序号 No.	件号 Part No.	数量 Quantity	名称 Name	规格 Specification	适用产品 Products Applied	备注 Remark
7	84E-01010	1	前盖板 Front Cover Panel		欧款系列 Europe Series	
8	84E-06021	1	CAMC 标牌 CAMC Emblem		欧款系列 Europe Series	
9	84E-06025	1	“华菱” 字样 “Hua Ling” Sample		欧款系列 Europe Series	
10		1	动力标牌 Power Emblem			

窄体前围外饰件 FRONT-WALL EXTERIOR TRIMMING PARTS FOR NARROW CAB MODEL

84-C



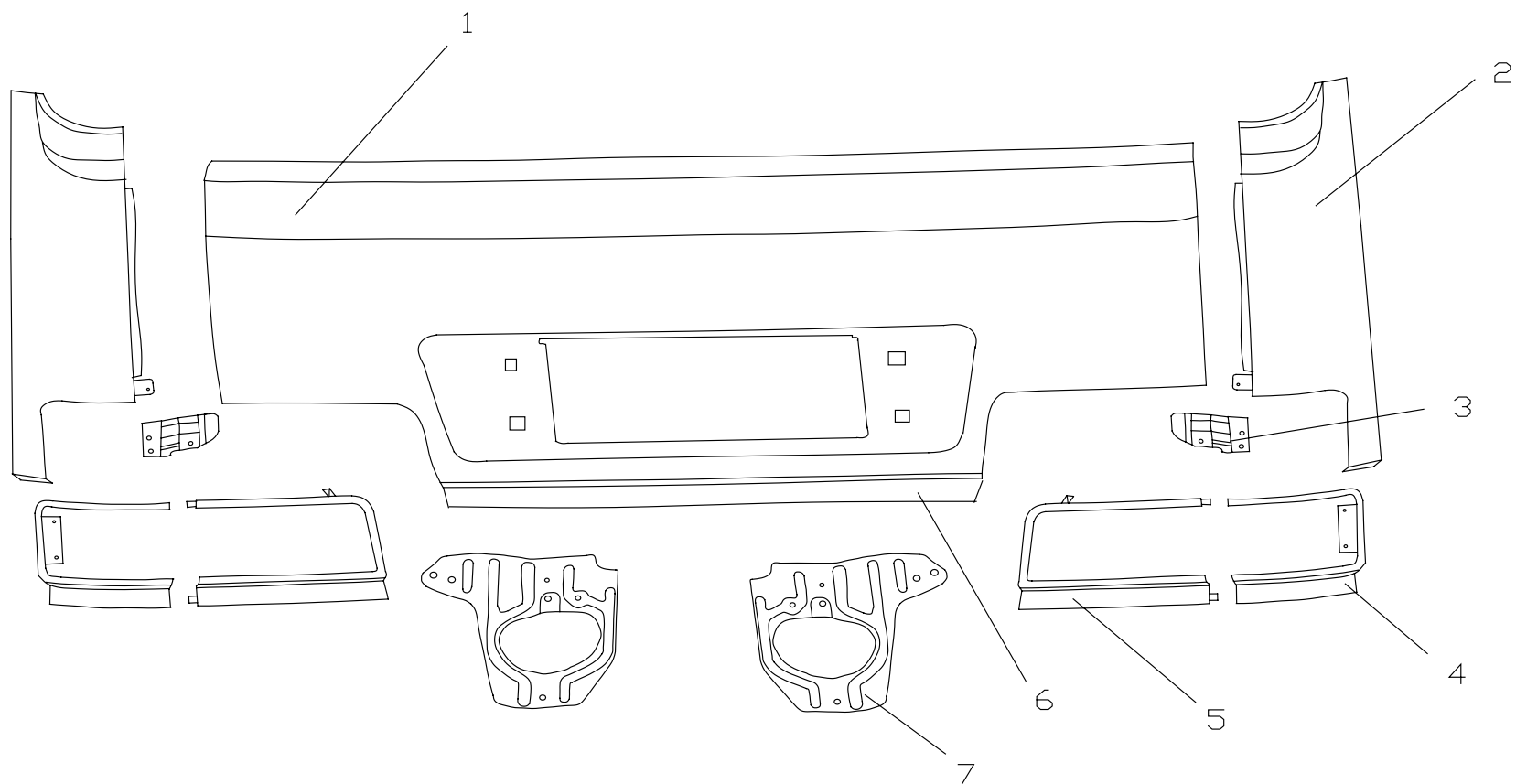
前盖板组件 / FRONT COVER PANEL SET

84-12

序号 No.	件号 Part No.	数量 Quantity	名称 Name	规格 Specification	适用产品 Products Applied	备注 Remark
1	84A15-01009	1	前盖板总成 Front Cover Panel Assembly		窄体系列 Narrow-Cab Series	
2	53B15-01369	1	左外侧板总成 Outer Side Panel Assembly LH		窄体系列 Narrow-Cab Series	
	53B15-01370	1	右外侧板总成 Outer Side Panel Assembly RH		窄体系列 Narrow-Cab Series	
	52B-02018	6	方型塑料螺母 A Square Plastic Nut A			
	Q1460620	4	六角头平弹垫组合螺栓 Hexagon Head Combination Bolt With Spring And Plate Washer			
	Q2735516	6	十字槽盘头自攻螺钉 -C 型 Cross Recessed Pan Head Self-Tapping Screw-C Type			
3	53A15-01354	1	下支架-左外侧板 Lower Bracket-Outer Side Panel LH		窄体系列 Narrow-Cab Series	
	53A15-01356	1	下支架-右外侧板 Lower Bracket-Outer Side Panel RH		窄体系列 Narrow-Cab Series	
	Q1460830	4	六角头平弹垫组合螺栓 Hexagon Head Combination Bolt With Spring And Plate Washer			
4	53A5-03217	1	左外侧大灯罩 Headlamp Door LH		窄体系列 Narrow-Cab Series	
	53A5-03218	1	右外侧大灯罩 Headlamp Door RH		窄体系列 Narrow-Cab Series	
5	53A5-03215	1	左内侧大灯罩 Headlamp Door LH		窄体系列 Narrow-Cab Series	
	53A5-03216	1	右内侧大灯罩 Headlamp Door RH		窄体系列 Narrow-Cab Series	
	28A5-03225	1	卡扣 Buckle		窄体系列 Narrow-Cab Series	

窄体前围外饰件 FRONT-WALL EXTERIOR TRIMMING PARTS FOR NARROW CAB MODEL

84-C



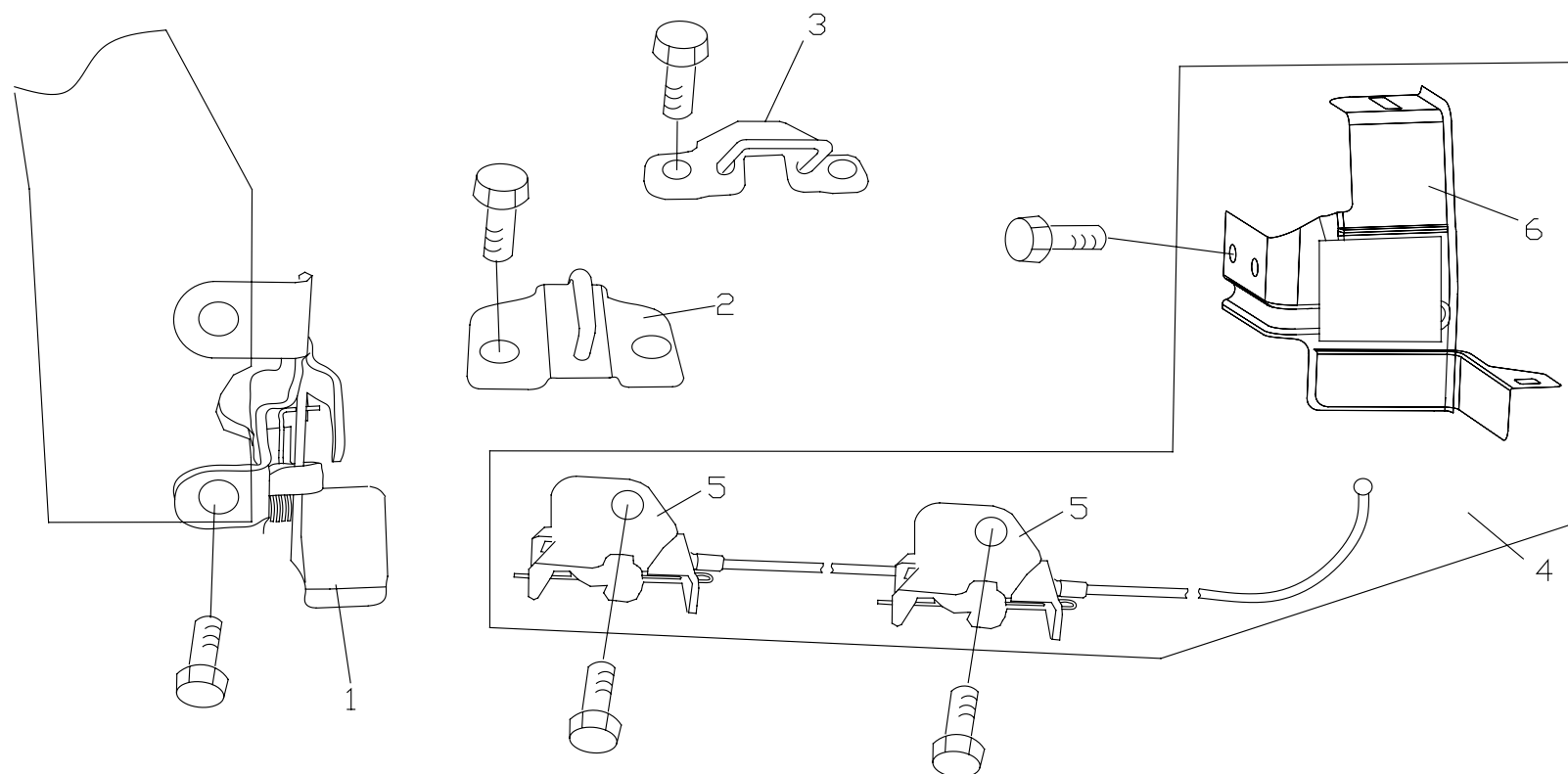
前盖板组件 / FRONT COVER PANEL SET

84-14

序号 No.	件号 Part No.	数量 Quantity	名称 Name	规格 Specification	适用产品 Products Applied	备注 Remark
5	Q2734812	6	十字槽大半圆头自攻螺钉 Cross Recessed Cup Head Self-Tapping Screw With Large Head			
6	84A5-01331	1	防尘条—前盖板 Dustproof Molding-Front Cover Panel		窄体系列 Narrow-Cab Series	
7	53A15-01361/2	1	左 / 右大灯安装板总成 Headlamp Mounting Panel Assembly LH/RH		窄体系列 Narrow-Cab Series	
	Q32008	6	六角法兰面螺母 Hexagon Nut With Flange			

盖板操纵机构 / COVER PANEL CONTROL MECHANISM

84-D



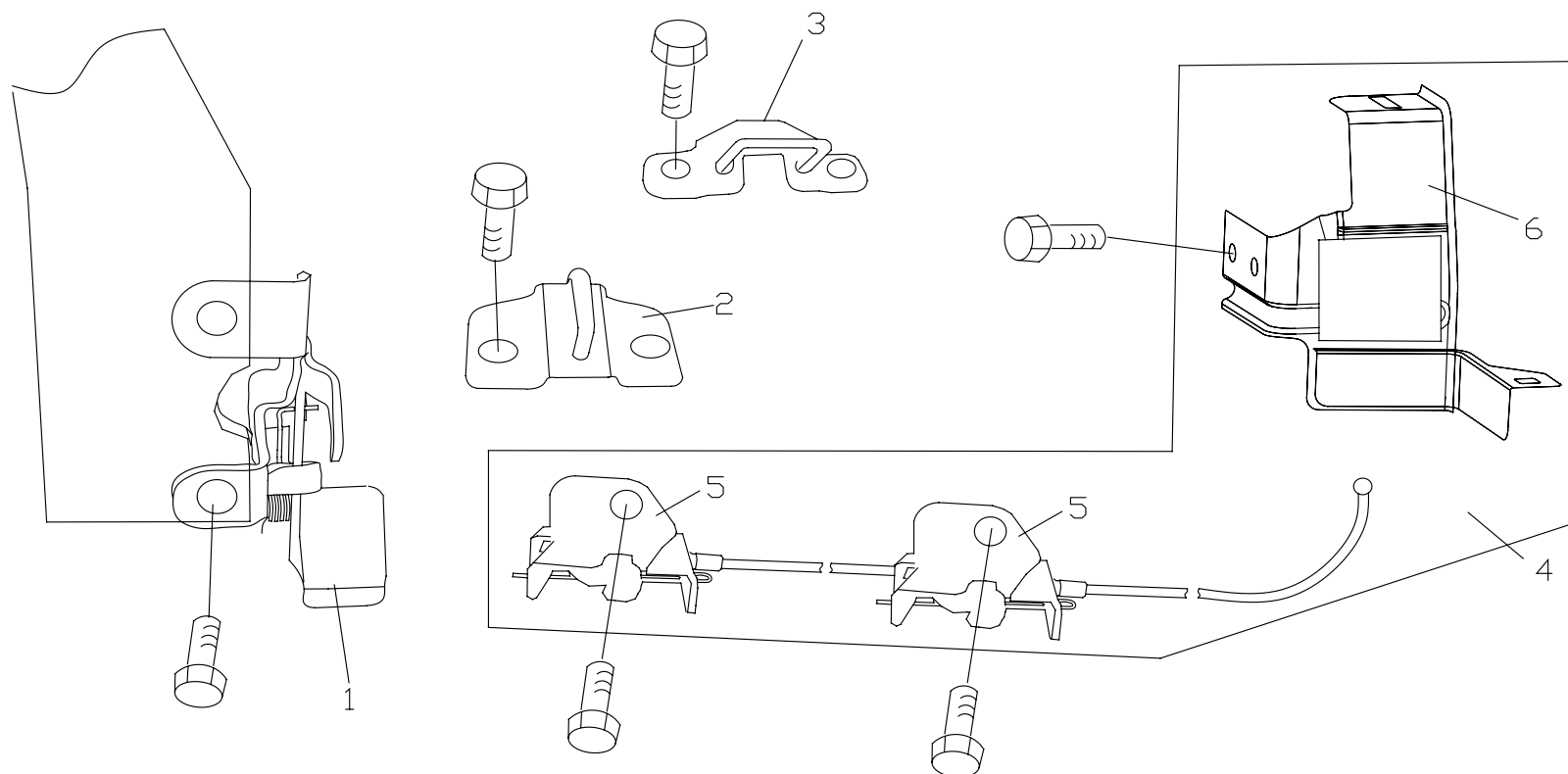
前盖板组件 / FRONT COVER PANEL SET

84-16

序号 No.	件号 Part No.	数量 Quantity	名称 Name	规格 Specification	适用产品 Products Applied	备注 Remark
1	84A-01359	1	保险锁体总成 Security Lock Assembly			
	Q1460616	2	六角头组合螺栓 Hexagon Head Combination Bolt			
2	84A-01355	2	盖板锁扣总成 Cover Panel Buckle Assembly			
	Q1460816	4	六角头组合螺栓 Hexagon Head Combination Bolt			
3	84A-01358	1	安全钩锁扣总成 Safety Hook Buckle Assembly			
	Q1460616	2	六角头组合螺栓 Hexagon Head Combination Bolt			
4	84A-01340	1	前盖板锁及操纵机构总成 Front Cover Panel Lock and Control Mechanism Assembly			
	84AY-01340	1	前盖板锁及操纵机构总成 Front Cover Panel Lock and Control Mechanism Assembly		右驾系列 RHD Series	
	37AD-33002	2	塑料线卡 Plastic Wire Snap Ring			
	37AD-34041	1	扎带 Band			
5	84A-01356	2	盖板锁体总成 Cover Panel Lock Body Assembly			
	84AY-01359	2	盖板锁体总成 Cover Panel Lock Body Assembly		右驾系列 RHD Series	
	Q1460820	2	六角头组合螺栓 Hexagon Head Combination Bolt			
6	84A-01345	1	盖板操纵手柄总成 Cover Panel Control Handle Assembly			

盖板操纵机构 / COVER PANEL CONTROL MECHANISM

84-D



前盖板组件 / FRONT COVER PANEL SET

84-18

序号 No.	件号 Part No.	数量 Quantity	名称 Name	规格 Specification	适用产品 Products Applied	备注 Remark
6	Q1460616	2	六角头组合螺栓 Hexagon Head Combination Bolt			

