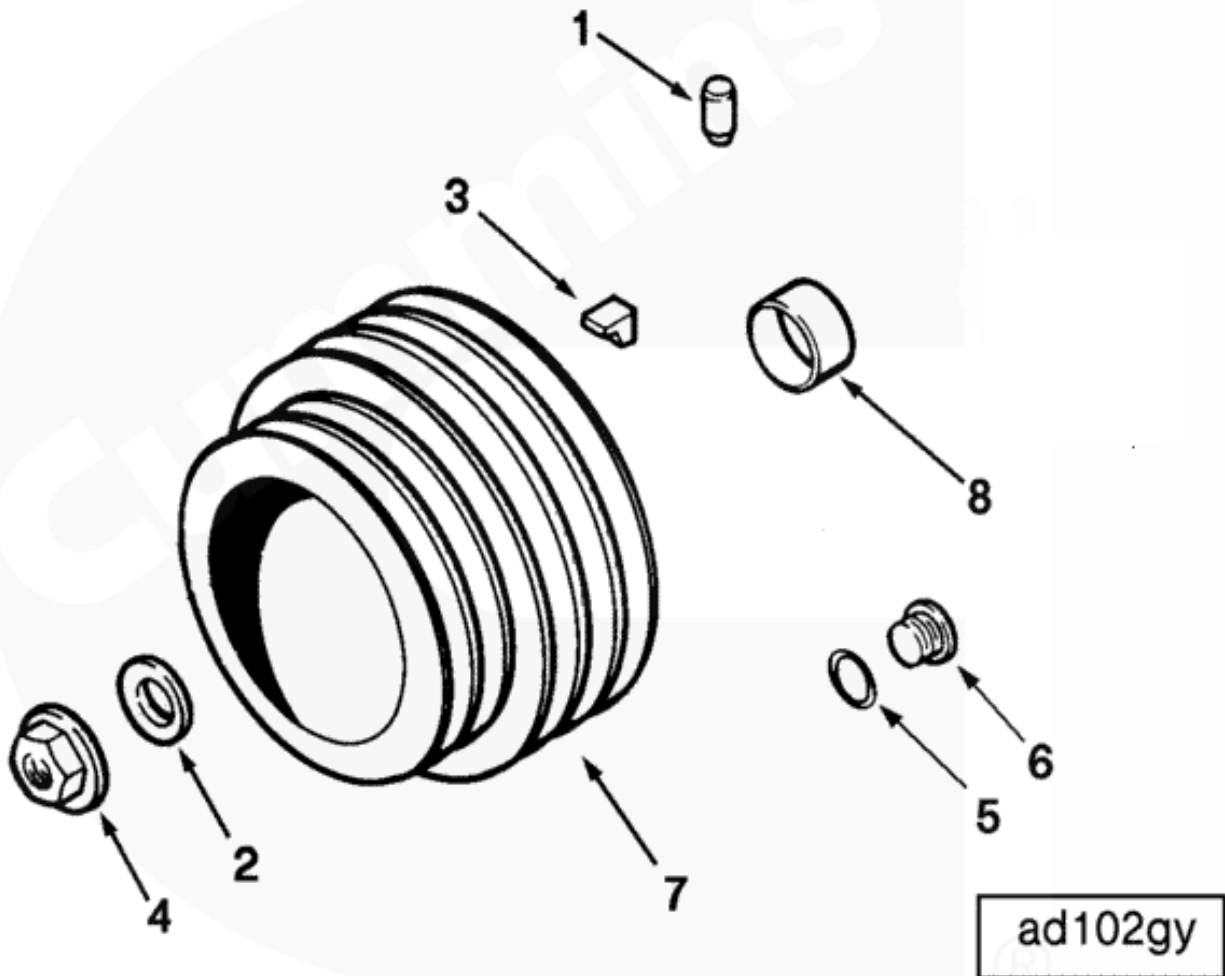


Cummins NTA855-C360 Part Catalogue

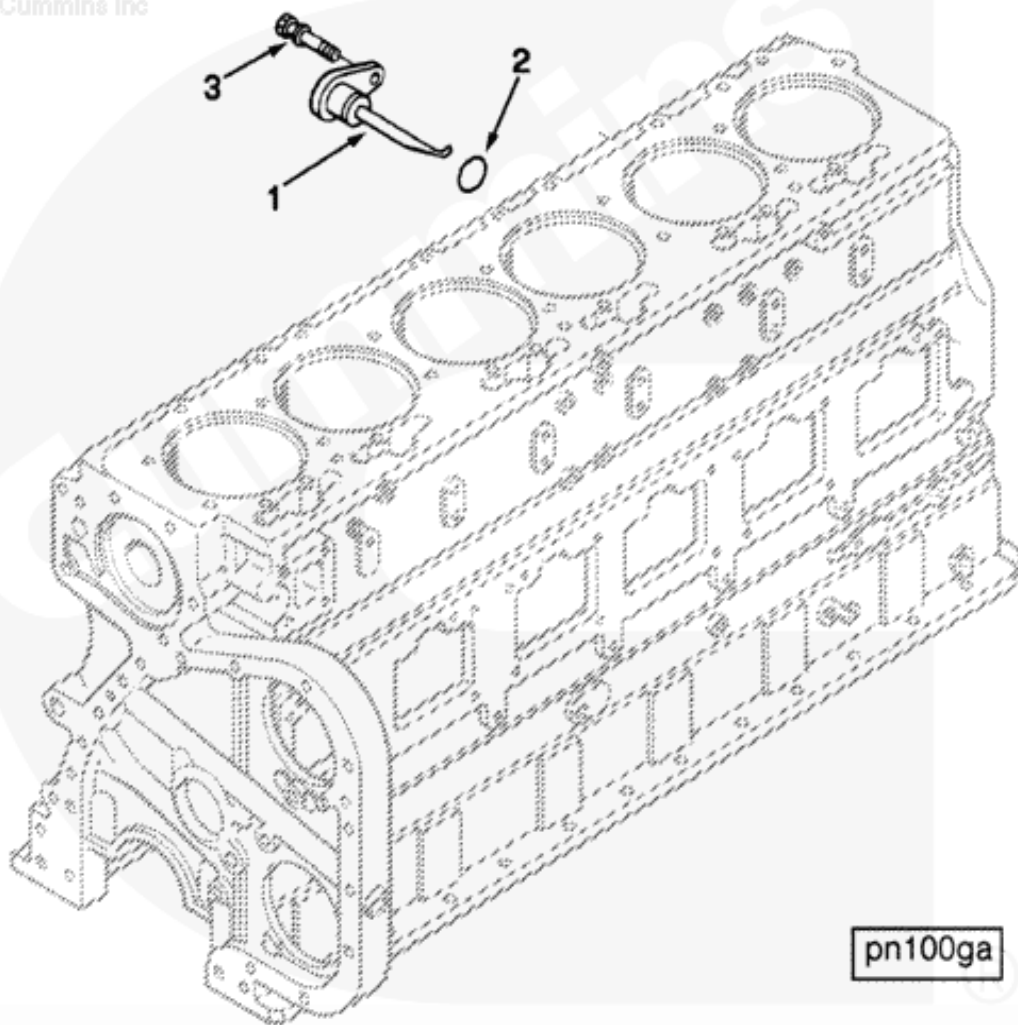
Ref No.	Part No.	Part No
	AD 115	PULLEY,ACCESSORY DRIVE
	3012602-40	PULLEY ACCESSORY MTG
1	70550-20	PIN
2	193136-20	WASHER PLAIN
3	3008947	SEAL,KEYWAY
4	3012526-20	NUT HEXAGON FLANGE
5	3037537	SEAL O RING
6	3040813-20	PLUG THREADED
7	3013538-20	PULLEY ACCESSORY
8	3076346-20	SLEEVE WEAR

©Cummins Inc



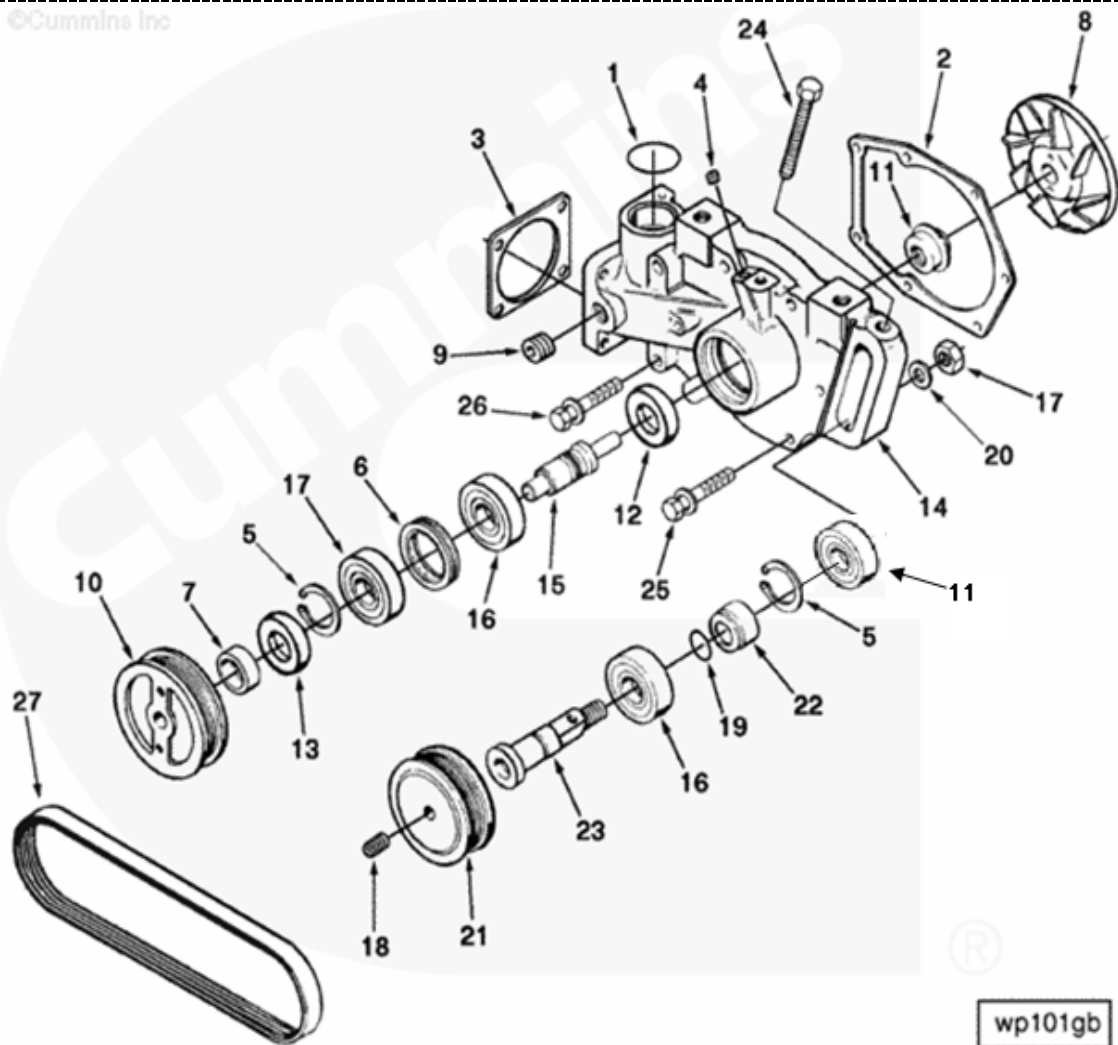
	BP 109	PARTS, BASE
	3014404-40	NOZZLE PISTON COOLING
	3013591-20	NOZZLE PISTON COOLING
1	3013590-20	NOZZLE PISTON COOLING
2	3007442	SEAL, O RING
3	3033822-20	SCREW CAPTIVE WAS

©Cummins Inc



	3024832-40	MTG WATER PUMP
2	3002385-20	GASKET, WATER PUMP
25	3012468-20	SCREW CAPTIVE WAS
26	3012469-20	SCREW, CAPTIVE
24	182706-20	SCREW, HEX HEAD CAP
27	217638-20	BELT, V RIBBED

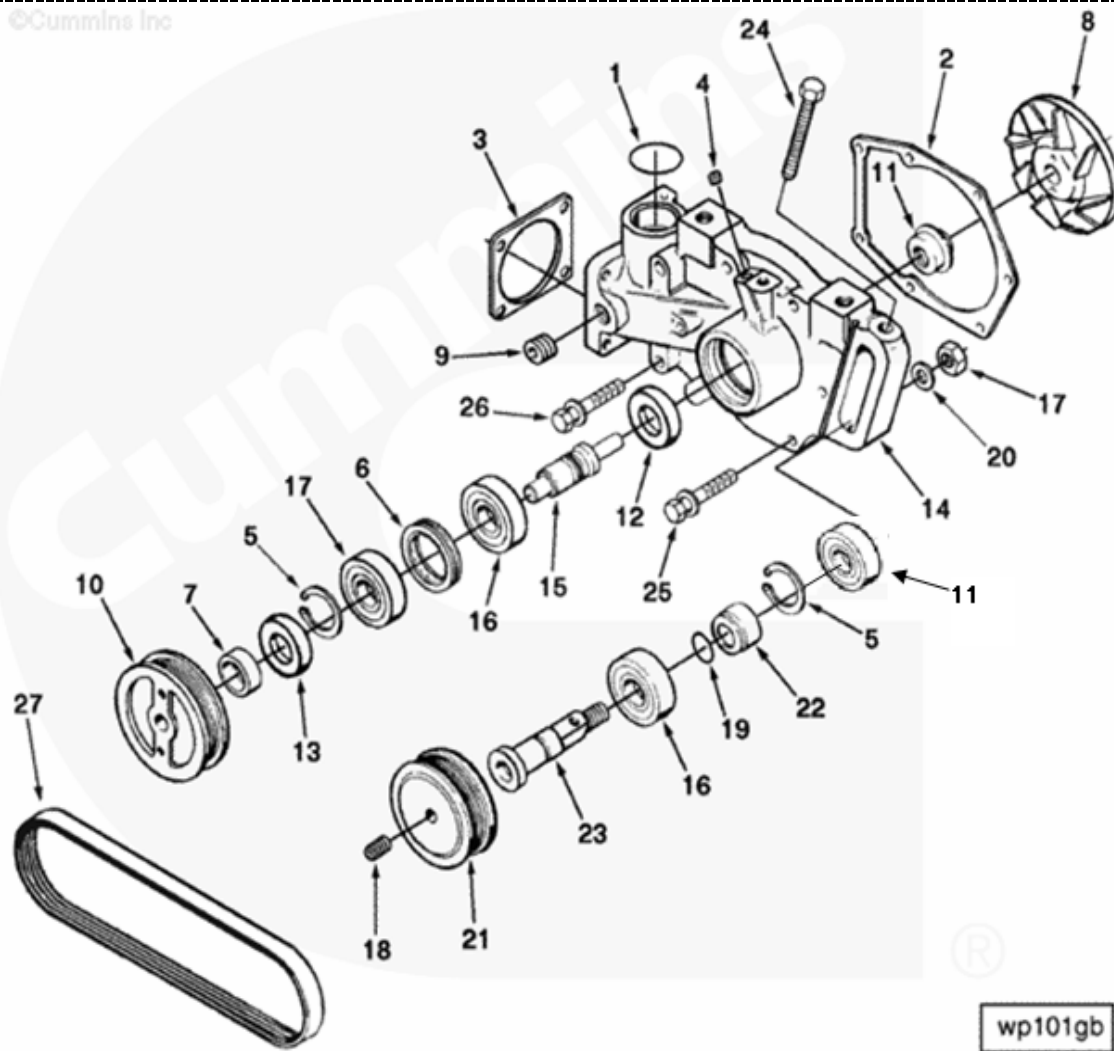
©Cummins Inc



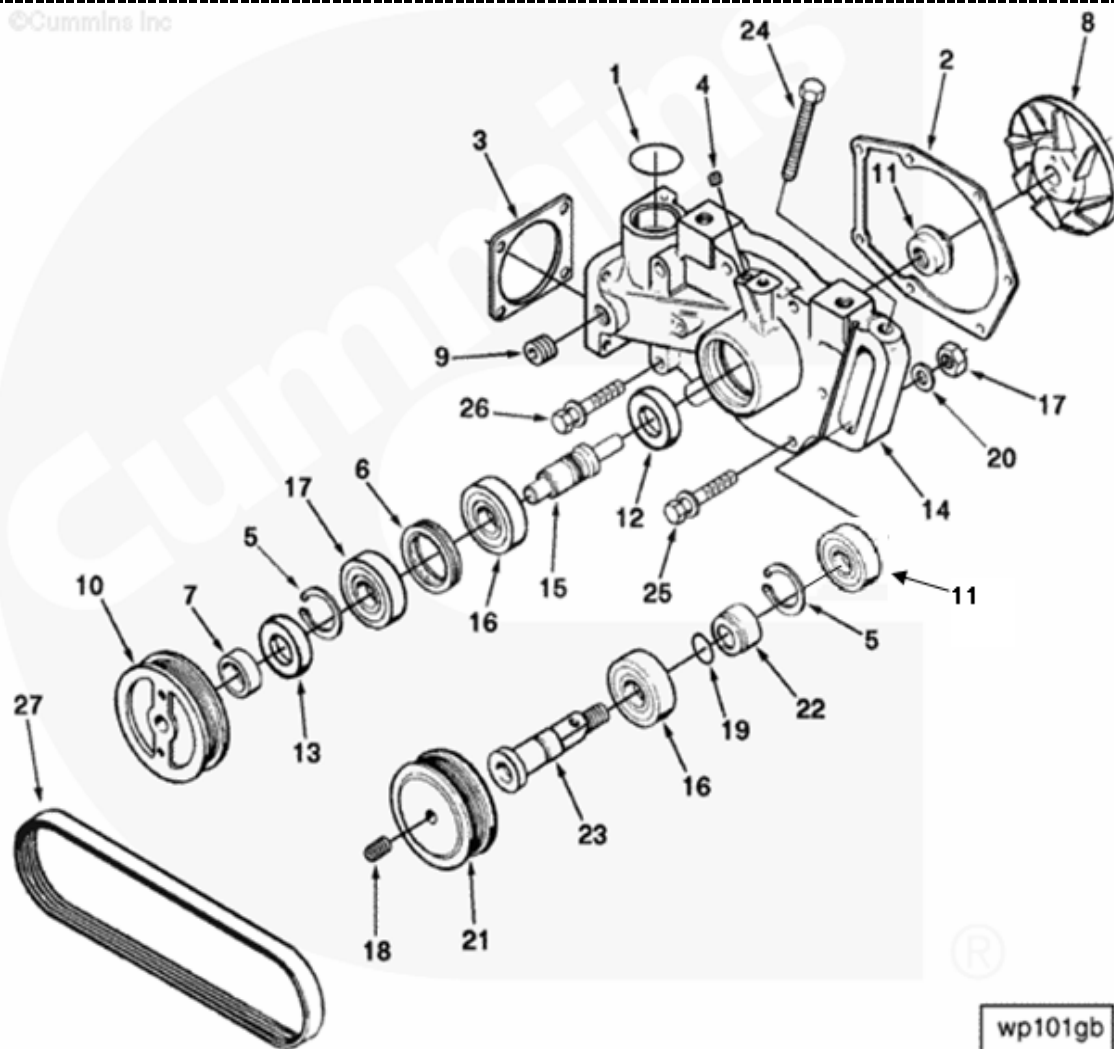
wp101gb

	4915264-10	PUMP, WATER
6	196844-20	SPACER
8	3000888	IMPELLER WATER PUMP
9	3013786-20	PLUG PIPE
10	3025935-20	PULLEY WATER PUMP
14	3045163-10	BODY WATER PUMP
15	3050394-20	SHAFT WATER PUMP
16	3063246-20	BEARING BALL
11	4060899-20	SEAL, WATER
4	S 911 B-20	PLUG PIPE
5	S 16255-20	RING RETAINING

©Cummins Inc

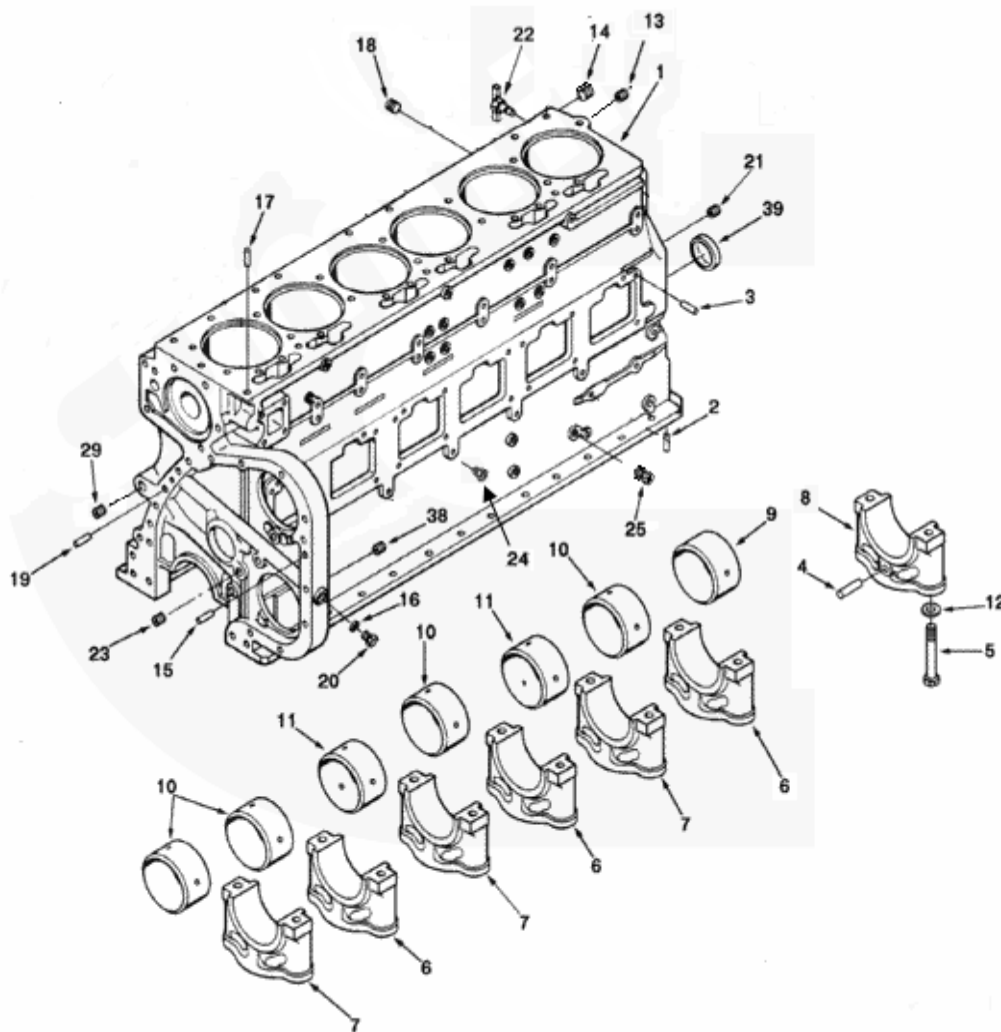


	AR45189-10	IDLER WATER PUMP
19	145506	SEAL O RING
23	208119-20	SHAFT IDLER
22	208120-20	SPACER
20	213082-20	WASHER PLAIN
21	215397-20	PULLEY IDLER
11	3038998	SEAL OIL
16	3063246-20	BEARING BALL
17	S 201-20	NUT HEAVY HEXAGON
18	S 965 E-20	PLUG PIPE
5	S 16255-20	RING RETAINING

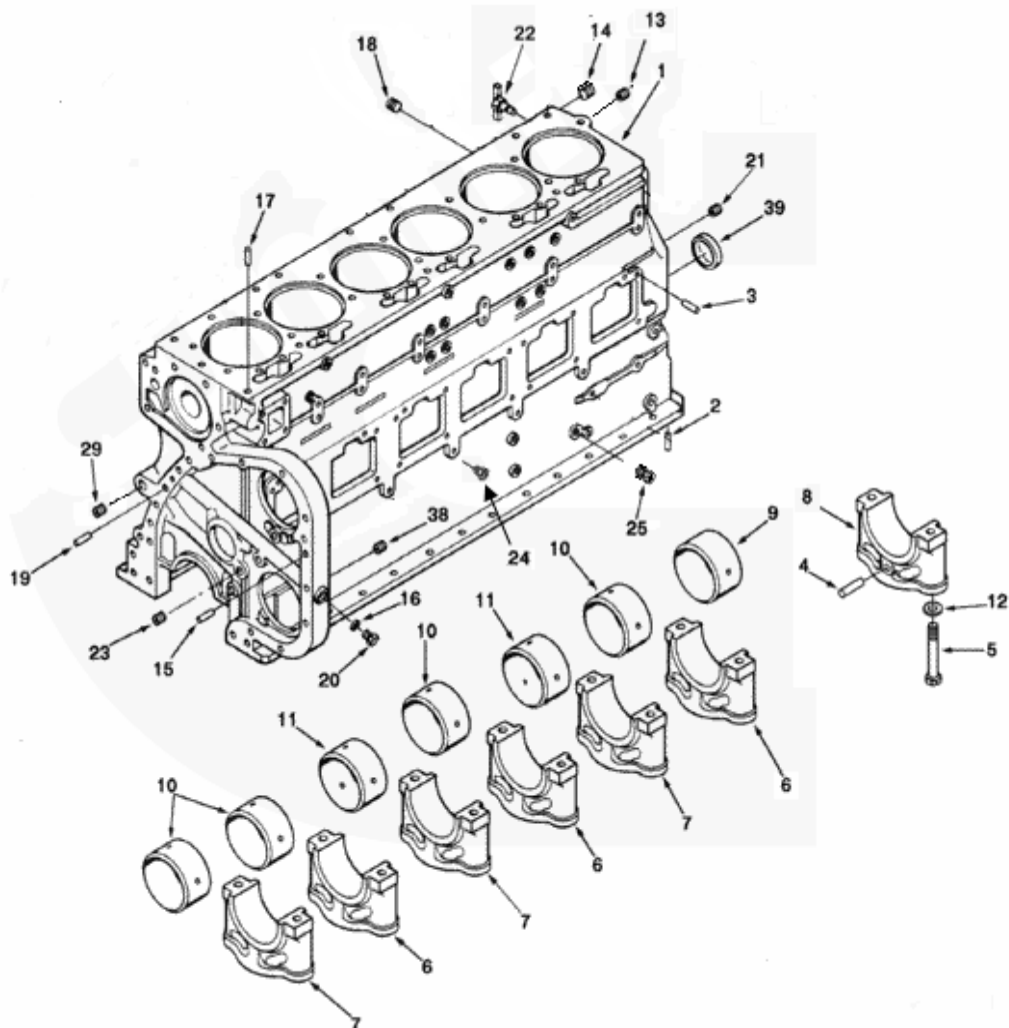


wp101gb

1	3032187-10	BLOCK CYLINDER
1	3031156-10	BLOCK CYLINDER
	3165262 A-20	SLEEVE
2	67211-20	DOWEL, REAR MAIN BEARING
3	68585-20	DOWEL PIN
5	208346-20	SCREW, HEX HEAD CAP
7	3008047-20	CAP MAIN BEARING (1# 3# 5#)
6	3008048-20	CAP MAIN BEARING (2# 4# 6#)
8	3008049-20	CAP MAIN BEARING (7#)
9	3011951	BUSHING (7#)
10	3028075	BUSHING (1# 2# 4# 6#)
11	3028269	BUSHING (3# 5#)
12	3039305-20	WASHER PLAIN

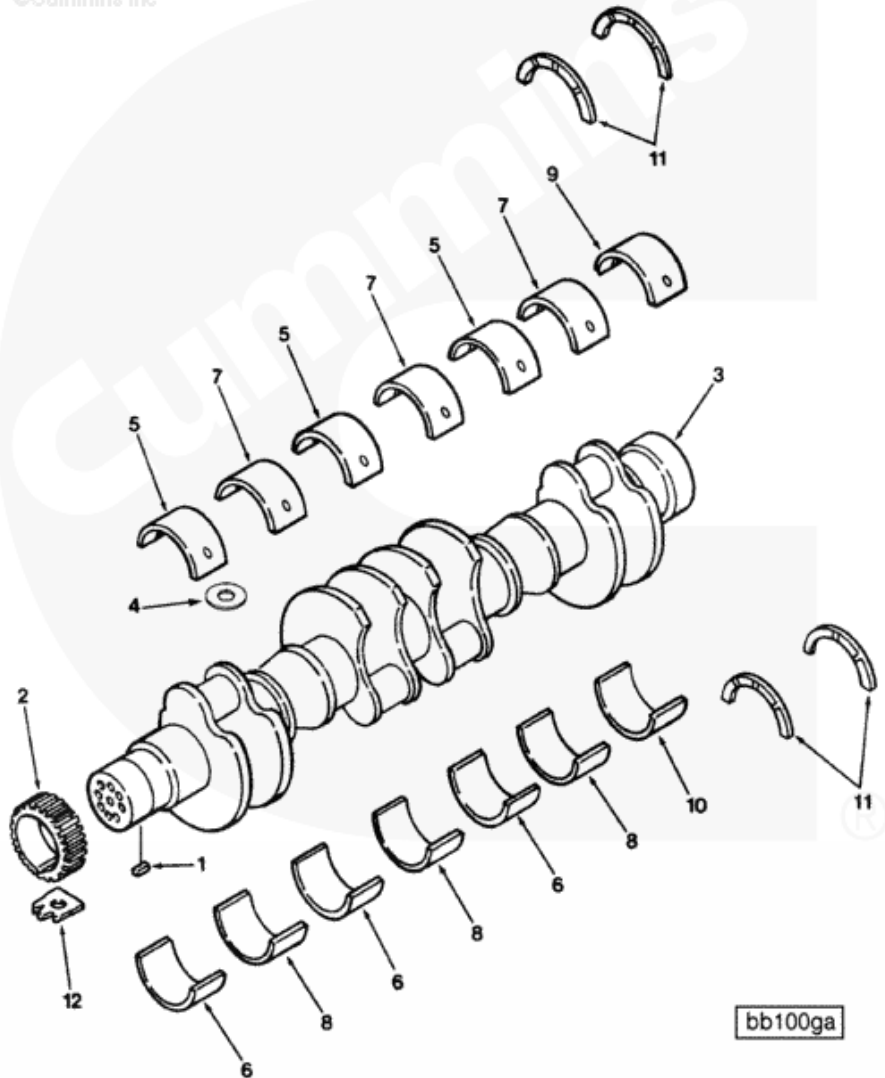


	4915265-10	BLOCK, CYL. MTG
16	66292-20	WASHER PLATE
17	68445-20	PIN GROOVE
24	69901-20	PLUG PIPE
4	202903-20	PIN POLL
20	210884-20	PLUG THREADED
39	3011952-20	PLUG EXPENSION
13, 21, 23, 29	3013786-20	PLUG PIPE
18, 25, 38	4931643-20	PIPE PLUG
14	S 966 E-20	PLUG
	214327-20	DRAINCOCK

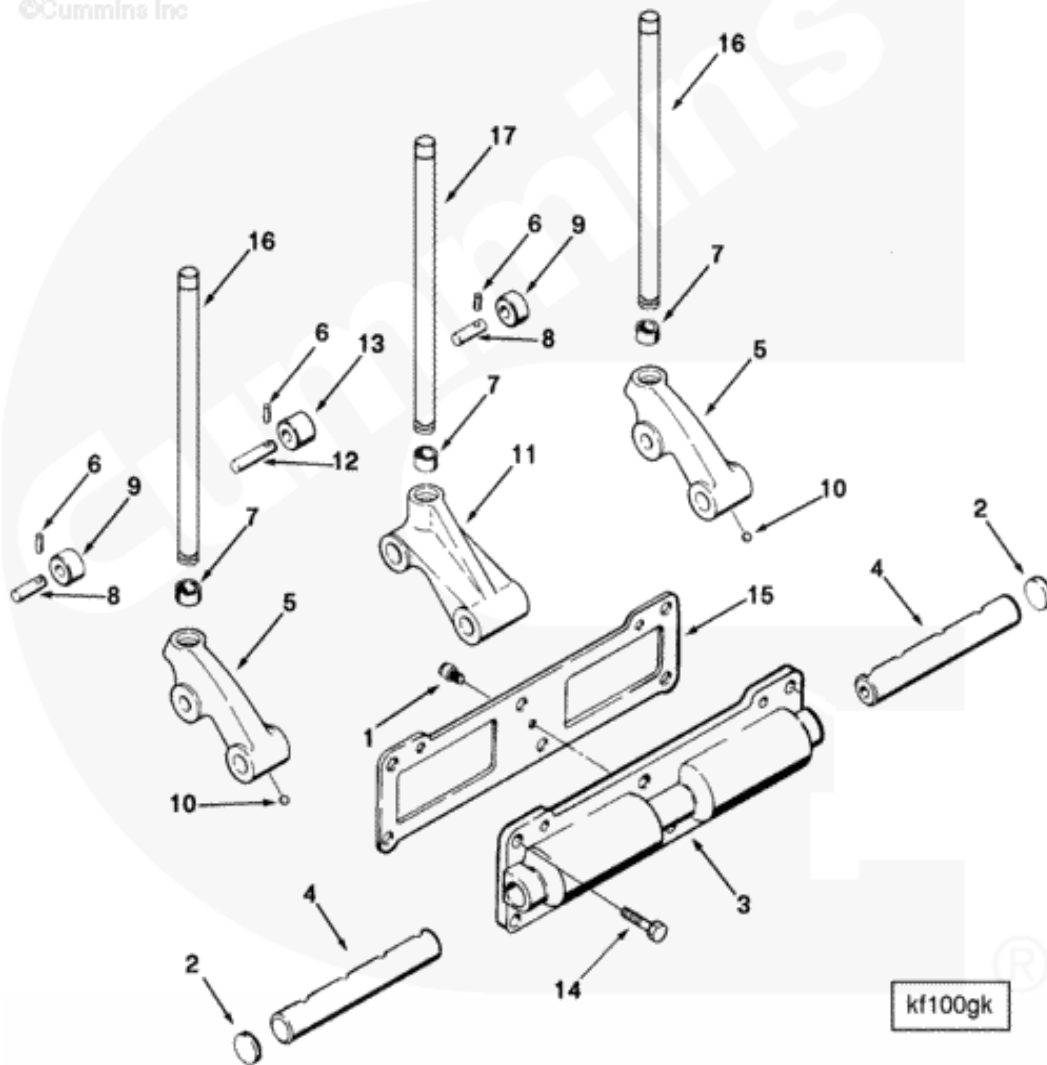


	3054866-40	CRANKSHAFT
1	210179-20	KEY RECTANGULAR
2	3014614-20	GEAR CRANKSHAFT
3	3608833-10	CRANKSHAFT ENGINE
	3037046-40	SET MAIN BEARING
5	3019174-20	BEARING, MAIN
6	3019180-20	BEARING, MAIN
7	3019186-20	BEARING, MAIN
8	3019192-20	BEARING, MAIN
9	3019198-20	BEARING, MAIN
10	3019204-20	BEARING, MAIN
4	3037045-20	RING MAIN BEARING
11	3067568-20	BEARING THRUST

©Cummins Inc

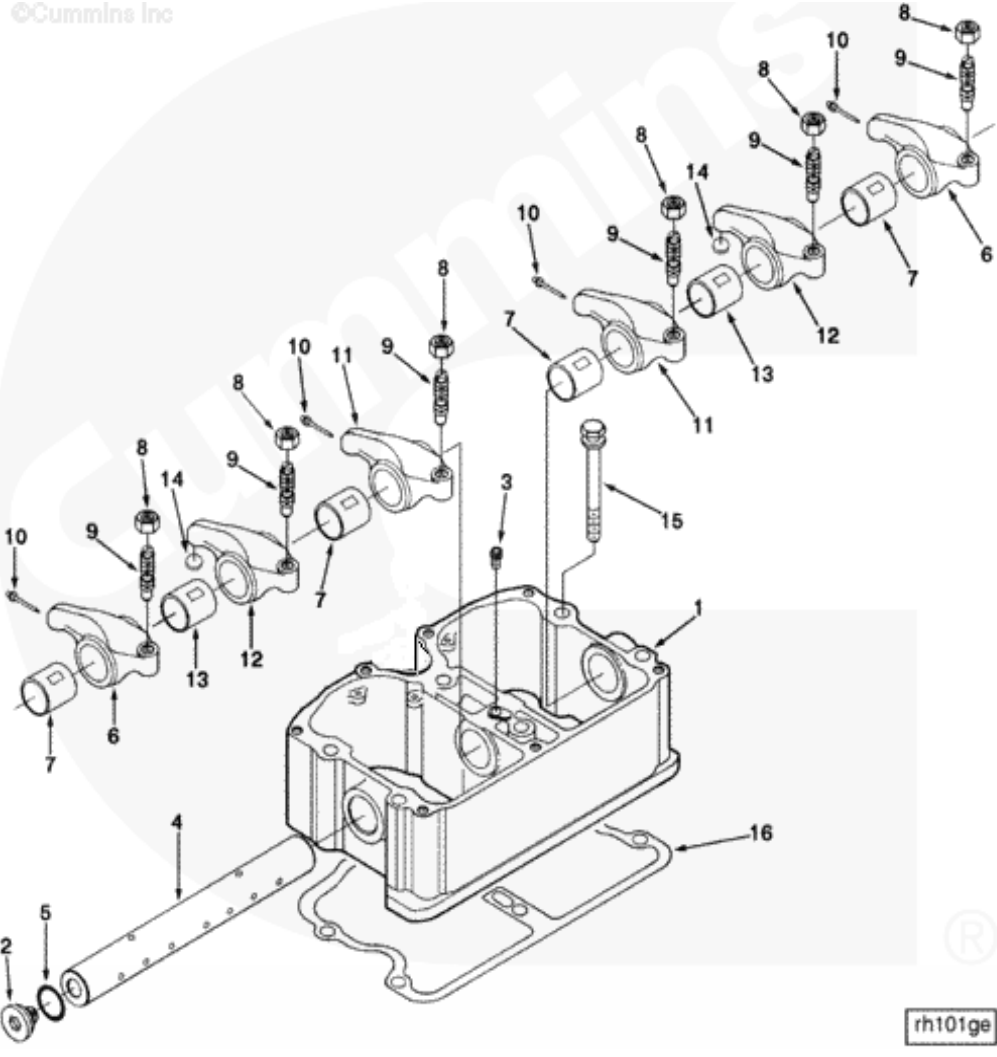


1 ~ 13	3418660-20	HOUSING, CAM FOLLOWER
16	3046420-20	ROD PUSH
17	3046430-20	ROD PUSH
	3063612-40	BOX CAM MTG.
15	3074400-20	GASKET CAM FOL HOUSING
15	3074401-20	GASKET CAM FOL HOUSING
15	3074402-20	GASKET CAM FOL HOUSING
15	3074403-20	GASKET CAM FOL HOUSING
14	S 120 A-20	SCREW, HEX HEAD CAP



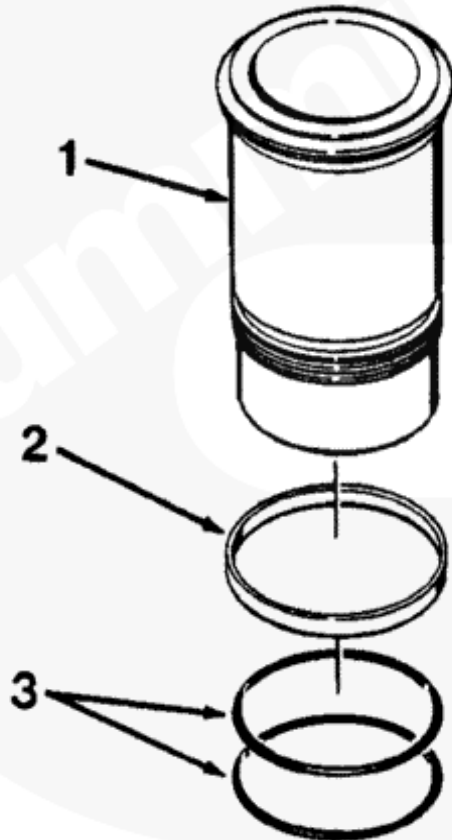
	4915262-10	HOUSING,ROCKER ARM
15	3010589-20	SCREW
16	3017750	GASKET RKR LEVER HOUSING
	3418522-10	RKR HSG
3	168319-20	SET SCREW
2	3038903-20	PLUG ROCKER LEVER SHAFT
4	3038904-20	SHAFT ROCKER LEVER
5	3058653	SEAL O RING
1	3418752-20	LEVER ROCKER
	AR 2308-20	LEVER ROCK
8	S 212	Hexnet
9	168306	Screw, Slotted Set
12	218152	Lever, Rocker
13	218153	Bushing, Lever
14	194037	Socket, Rocker Lever
	BM95161-20	LEVER ROCK
7	140330	Bushing, Lever
8	S 212	Hexnet
9	168306	Screw, Slotted Set
10	208084	Rivet

11	169704	Lever, Rocker
	BM95162-20	LEVER ROCK
6	169705	Lever, Rocker
7	140330	Bushing, Lever
8	S 212	Hexnet
9	168306	Screw, Slotted Set
10	208084	Rivet



	AR 9759-40	LINER, CYLINDER
2	215090	SEAL
3	3032874	SEAL O RING
1	3055099-20	LINER CYLINDER

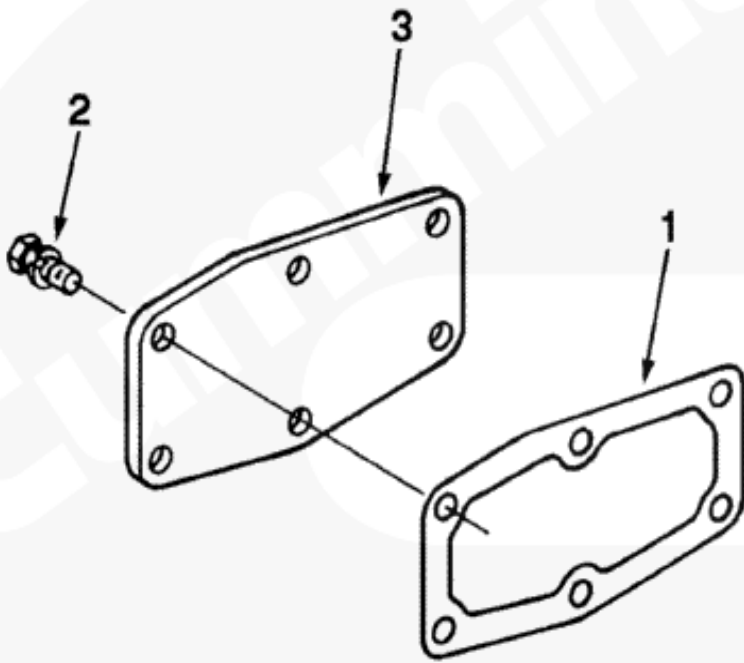
©Cummins Inc



bb100gb

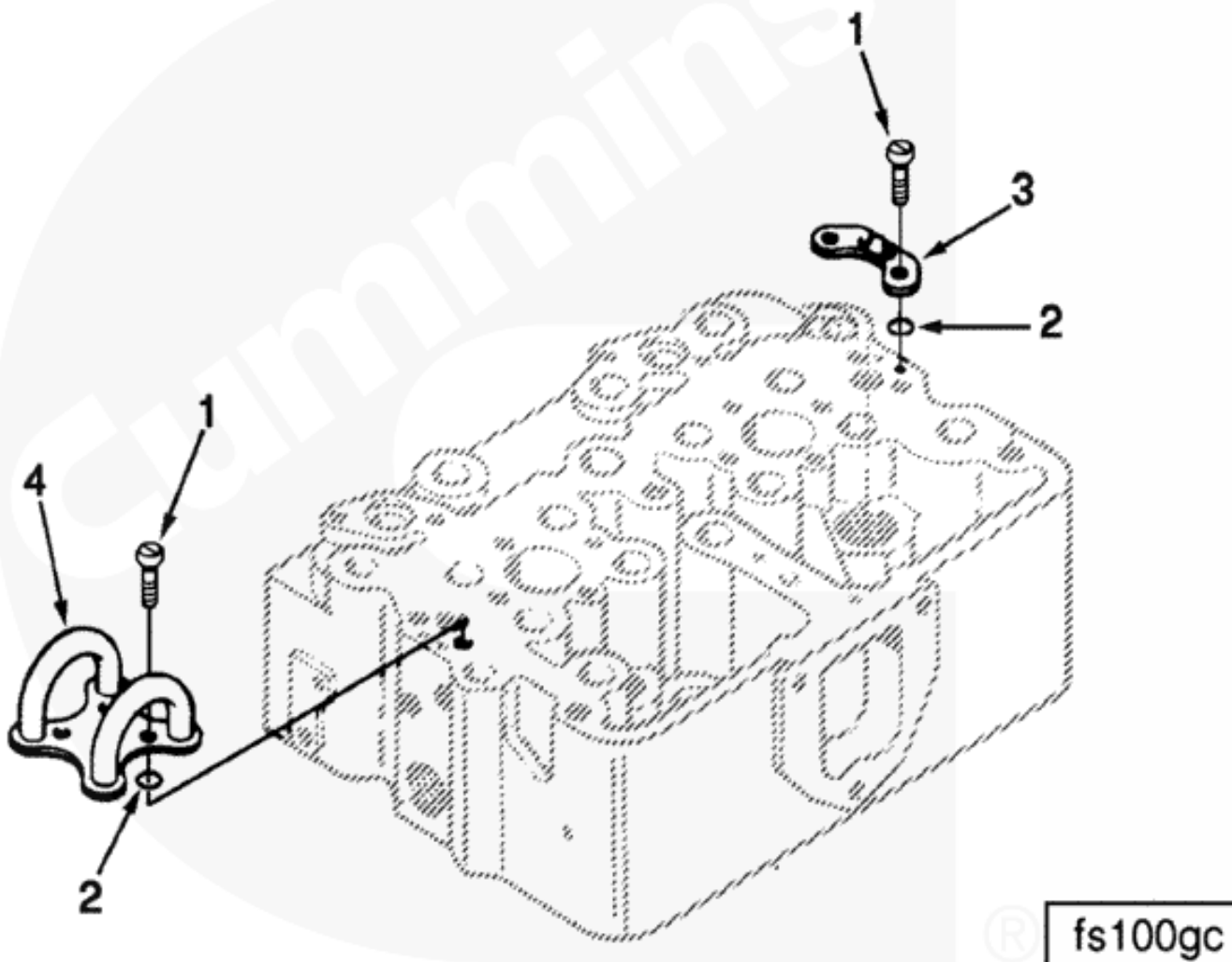
	AR10070-40	COVER WATER HEADER
1	3069098-20	GASKET COVER PLATE
2	132019-20	COVER WATER HEAD
3	3013904-20	SCREW CAPTIVE WAHER

©Cummins Inc



wh100ge

	BM73331 CE-40	CROSSOVER FUEL
1	70772-20	SCREW FILLISTER HEAD CAP
2	131026	SEAL O RING
3	135308-20	PLATE COVER
4	147100-20	CROSSOVER FUEL



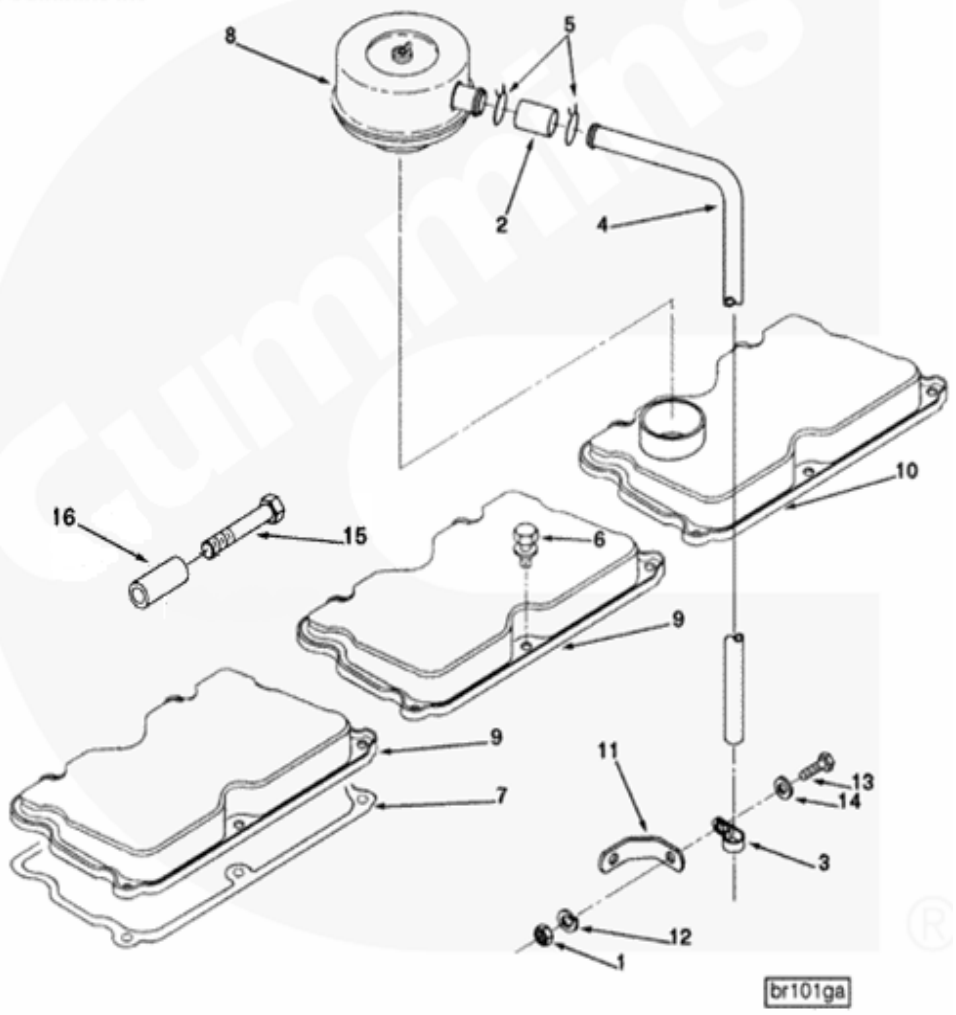
	MP 4053-40	MTG NAMEPLATE
	S 2286-20	SCREW DRIVE
	BR 1087	BREATHER & VENT COVER
9	3006183-20	COVER ROCKER LEVER
	3260666-40	TUBE VENT
5	43828-20	CLAMP HOSE
16	62906 C-20	SPACER
2	64775-20	HOSE
3	69911 A-20	CLIP
11	214096-20	SUPPORT NOISE PA
	3010596-20	SCREW CAPTIVE WASHER CAP
	3012476-20	SCREW CAPTIVE WAS
	3022589-20	SCREW CAPTIVE WASHER
4	3250977-20	TUBE BREATHER
1	S 223-20	NUT HEAVY HEXAGON
	4913633-10	BREATHER CRANKCASE
8	255180-20	BREATHER CRANKCASE
10	3006358-20	COVER ROCKER LEVER
	MP 3887-40	COVER ROCKER HOUSING MTG
6	3038076-20	SCREW

7

3067459-20

GASKET ROCKER COVER

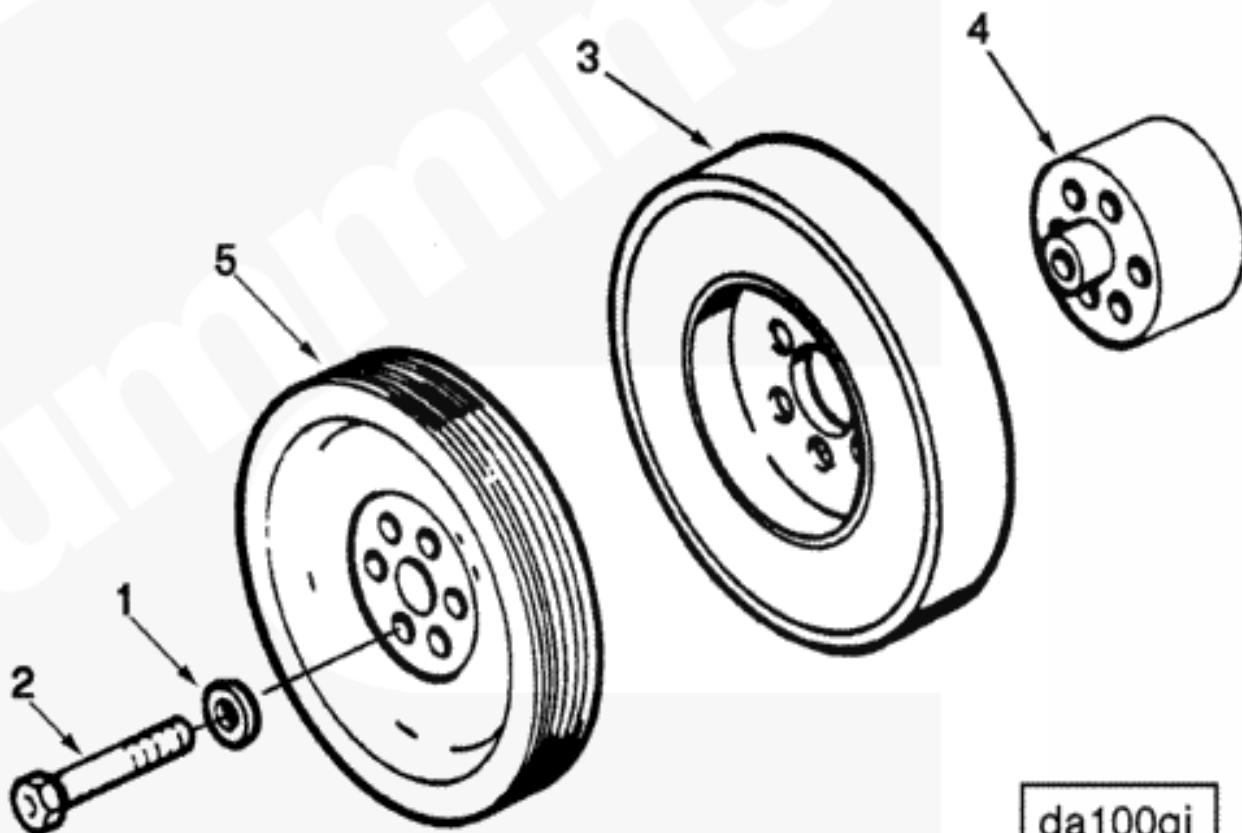
Cummins Inc



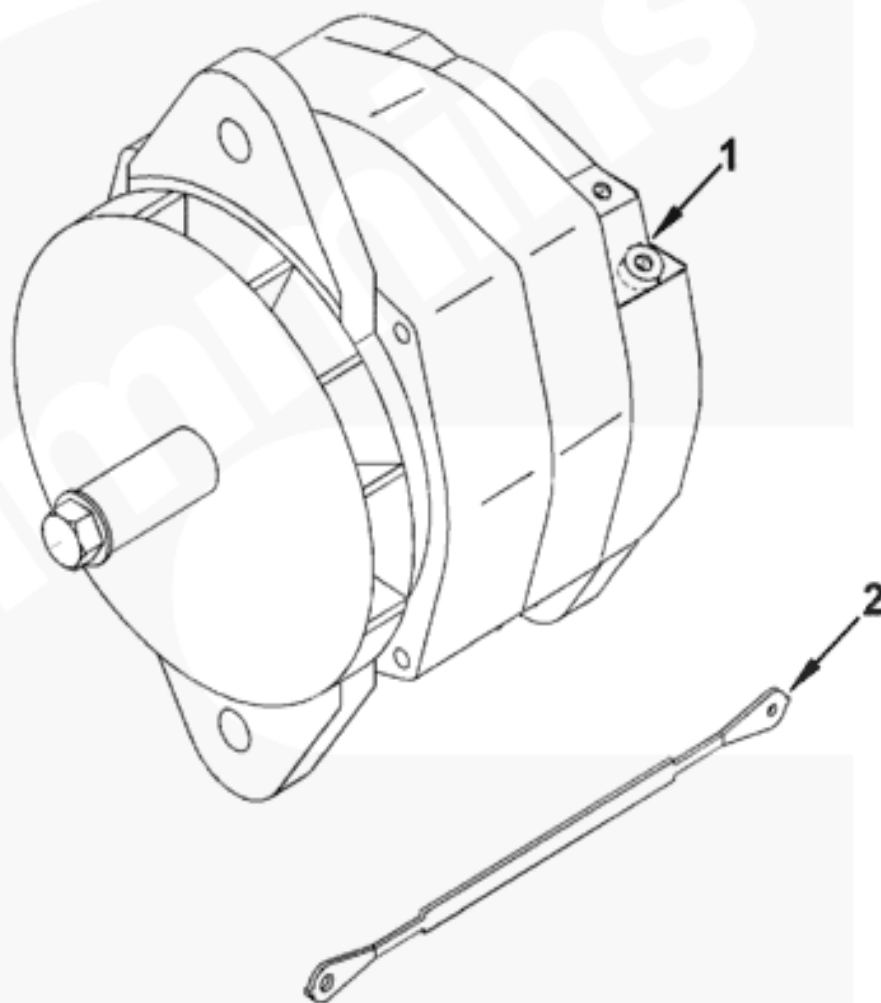
br101ga

	DA 1137	VIBRATION DAMPER
3	3511727-10	DAMPER VIBRATION
1	127316-20	WASHER PLAIN
2	212114-20	SCREW TWELVE POINT
5	3326140-20	PULLEY CRANKSHAFT

©Cummins Inc

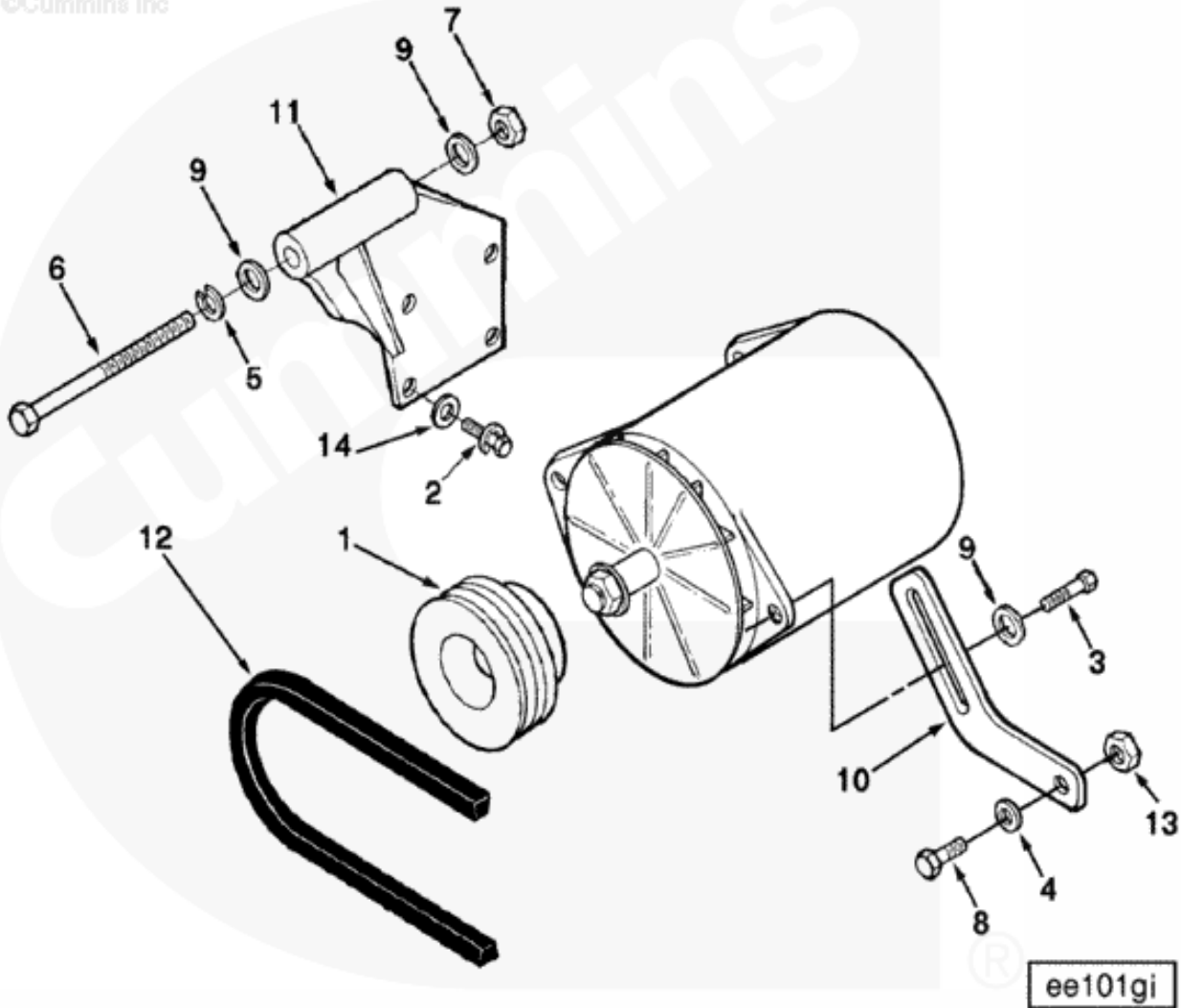


	EE 801	ALTERNATOR
1	4060811-20	ALTERNATOR
2	3202162-20	WIRE GROUND

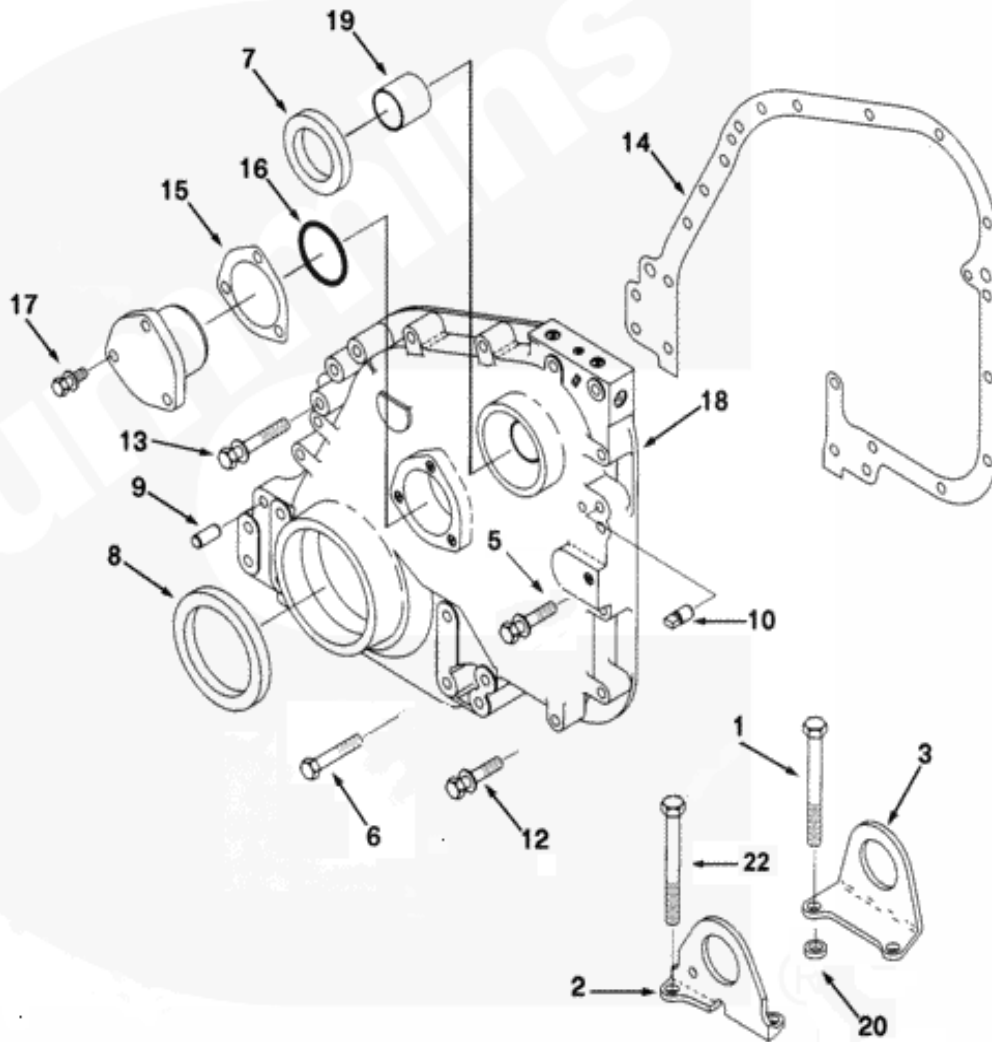


ee400go

	EE 1155	ALTERNATOR MTG
1	213326-20	PULLEY ALTERNATOR
12	3040292-20	BELT V
	3261135-40	MTG ALTERNATOR
7	70897-20	NUT LOCK
6	158829-20	SCREW, HEXAGON HEAD CAP
9	203310-20	WASHER PLAIN
4	203760-20	WASHER PLAIN
11	3010373-20	BRACKET ALTERNATOR
2	3010595-20	SCREW, CAPTIVE WASHER CAP
10	3250968-20	LINK ADJUSTING
3	S 145-20	SCREW, HEX HEAD CAP
8	S 183A-20	SCREW, HEX HEAD CAP
13	S 230A-20	NUT
5	S 608-20	Spring washer



	EM 121	ENGINE SUPPORT
	3166098-40	BACK LIFTING
20	65434-20	SPACER MOUTING
1	120516-20	SCREW HEXAGON
3	3001726-20	BRACKET LIFING
	AR 6059-40	BRACKET LIFTIN
2	170226-20	BRACKET LIFTIN
22	S 176-20	SCREW, HEX HEAD
	3419270-40	ASSY GEAR HOUS
7	3020185	SEAL OIL
8	3020186	SEAL OIL
	3325683-40	COVER, GEAR
19	132770-20	BUSHING
18	3418659-20	COVER GEAR

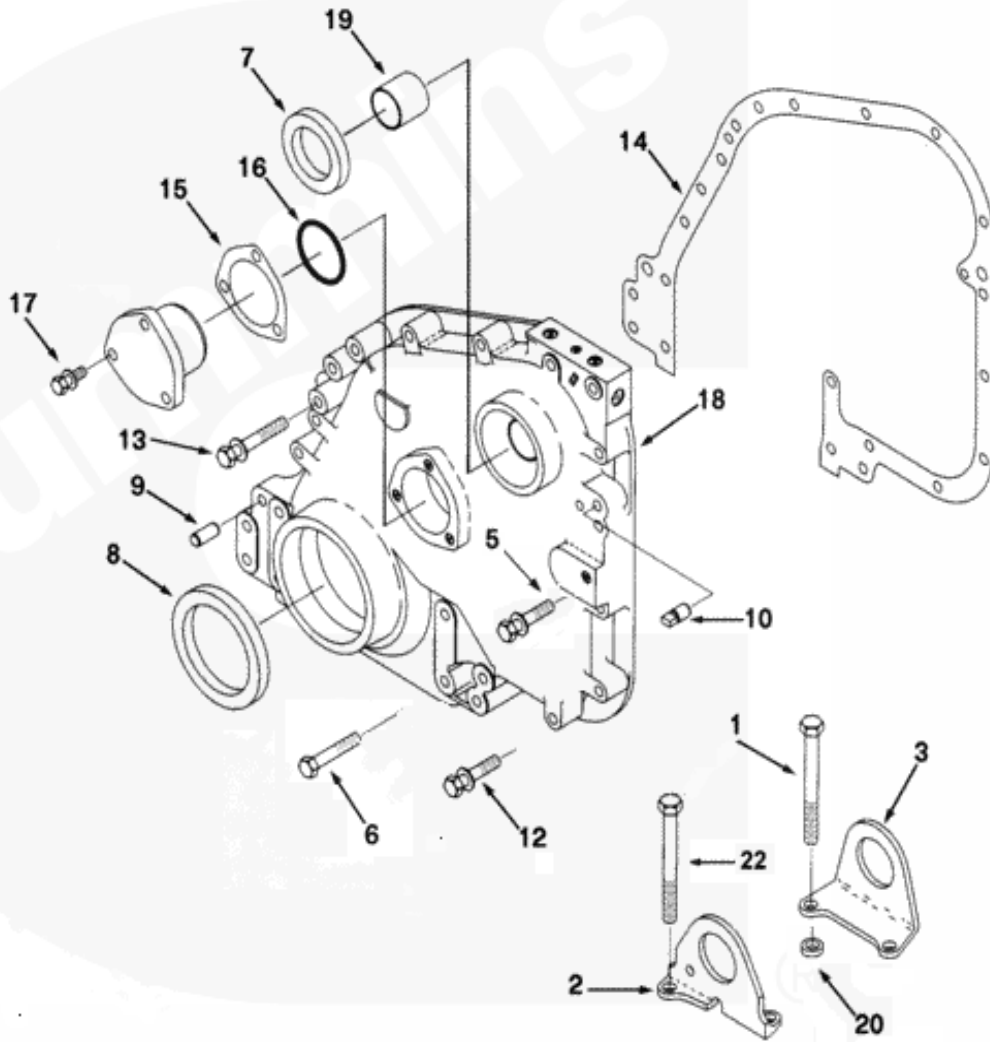


	4915275-10	MTG GEAR COVER
10	60408-20	PIN DOWL
9	70653-20	DOWEL
16	215705	SEAL O RING
12	3011712-20	SCREW CAPTIVE
5	3011713-20	SCREW CAPTIVE
13	3011714-20	SCREW CAPTIVE
17	3011715-20	SCREW CAPTIVE
14	3021704-20	GASKET,GEAR COVER
15	65259 C-20	SHIM
15	4913819-20	SHIM
15	4913820-20	SHIM
6	100915-20	SCREW,HEX HEAD
	S 610-20	WASHER LOCK
	3013786-20	PLUG PIPE
	3008466-20	PLUG PIPE
	S 911 B-20	PLUG PIPE
	3054889-20	SCREW,HEX HEAD
	3058664-20	SCREW TWELVE P
	3600283-20	WASHER,PLAIN
	3600285-20	SCREW,HEX HEAD

300082-20

WASHER

©Cummins Inc



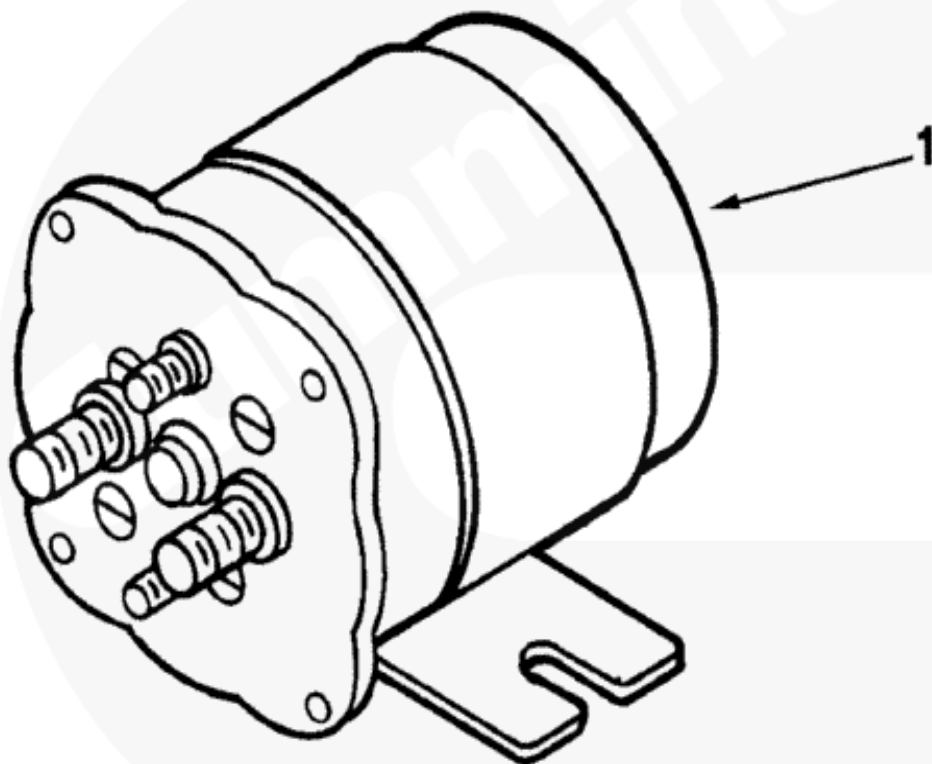
ES 8003

MAGNETIC SWITCH

3050692-20

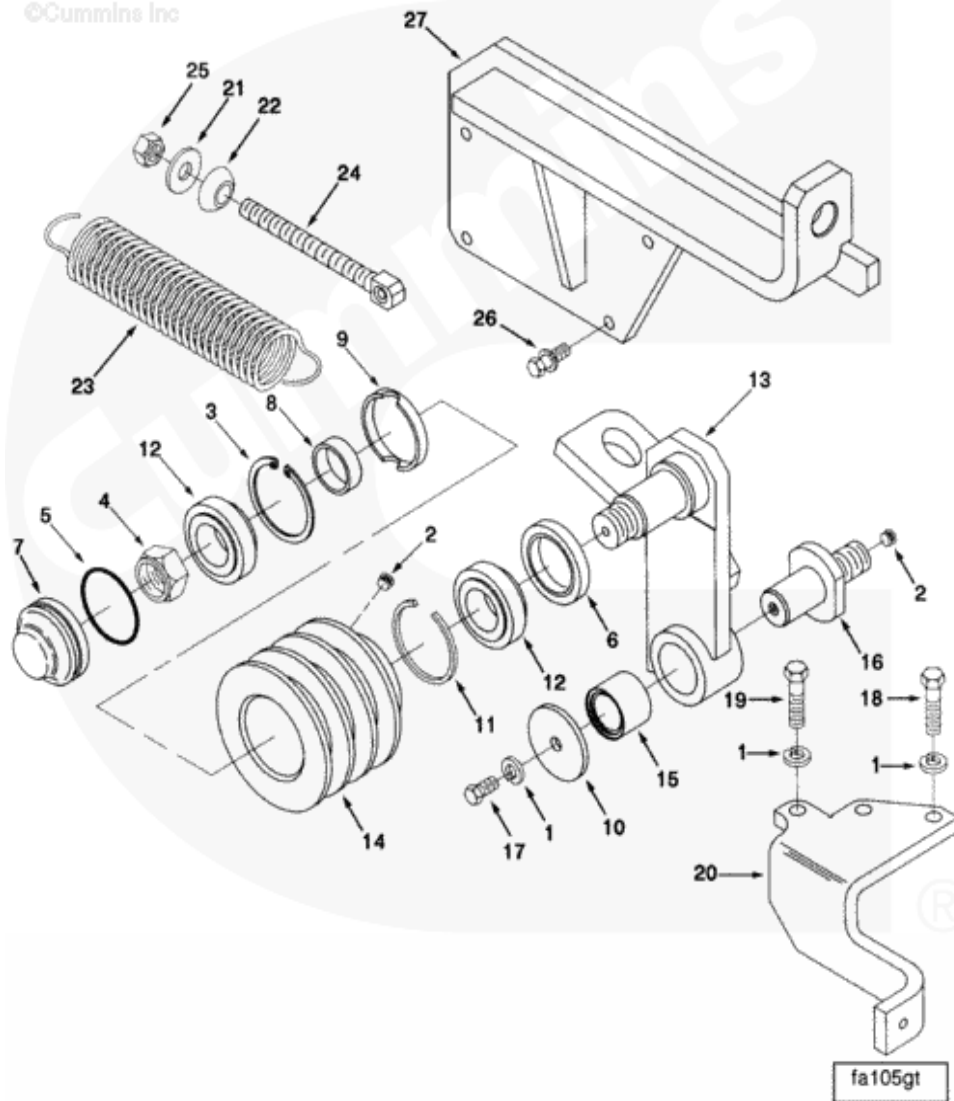
SWITCH MEGIC

1

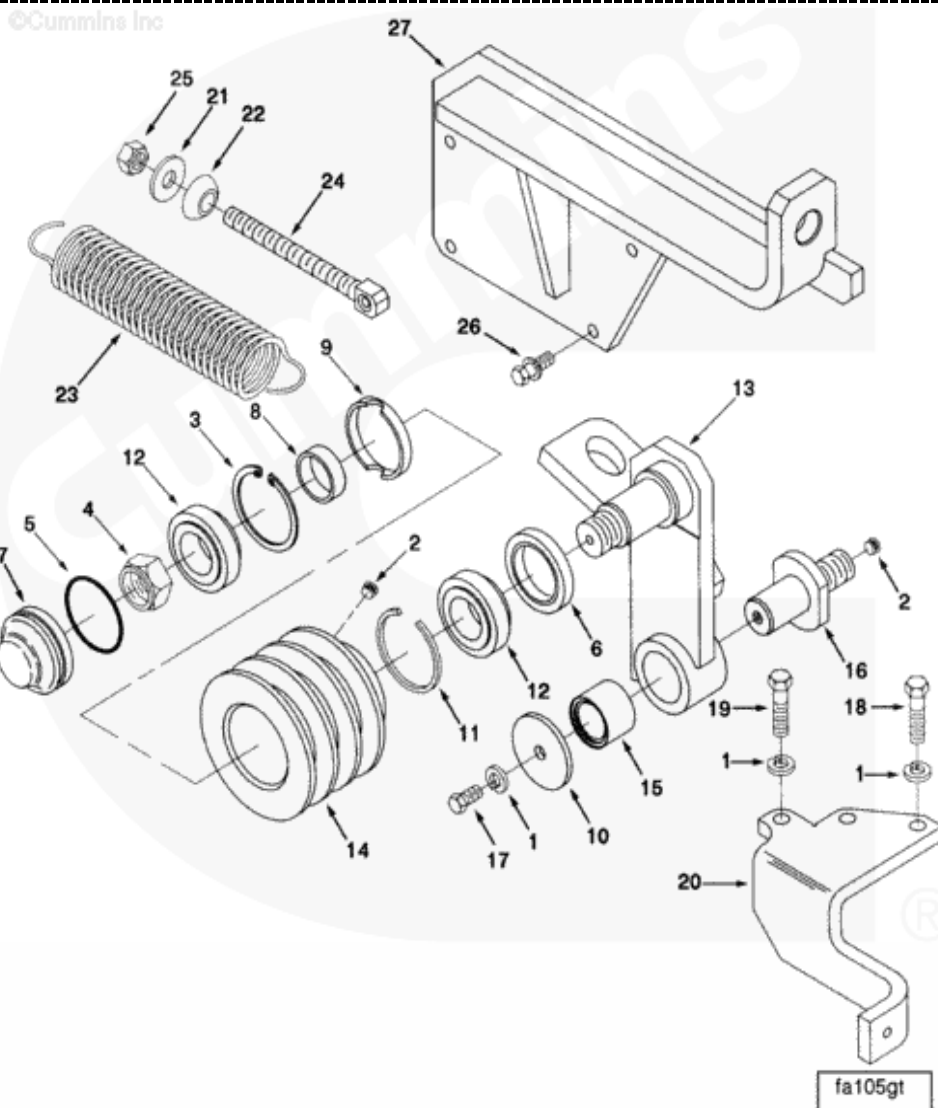


sw400gh

	FA 1170	FAN ARRANGMENT
	3250950-20	IDLER FAN HUB
	3260626-40	SPRING TENSION
21	146163-20	WASHER PLAIN
22	423280-20	WASHER PLAIN
23	3250956-20	SPRING
24	3325952-20	BOLT HOOK
25	3335066-20	NUT
	3260648-40	BRACKET SPRING SU
20	3251051-20	BRACKET SPRING
	3600283-20	WASHER,PLAIN
18	S 108 A-20	SCREW,HEX HEAD CAP
19	S 155-20	SCREW,HEX HEAD CAP
1	S 610-20	WASHER LOCK
	S 622-20	WASHER PLAIN

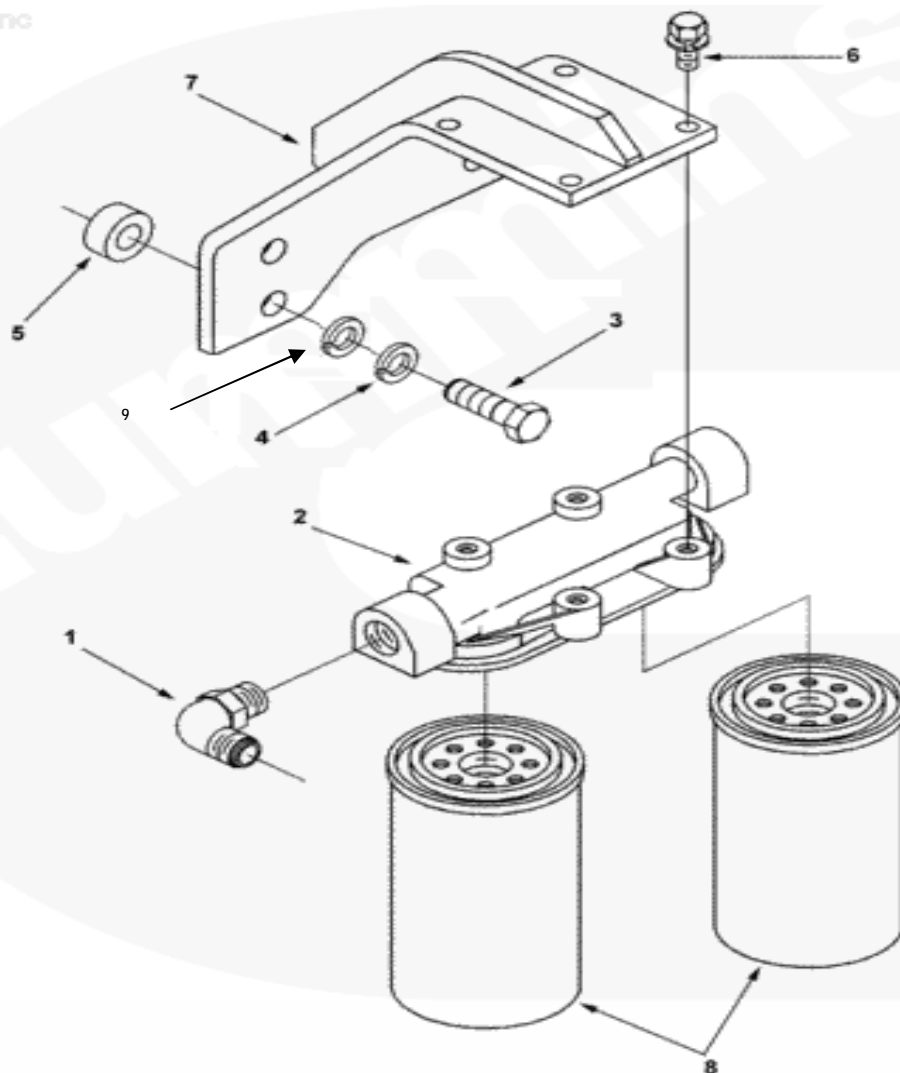


	3260649-40	BRACKET PIVOT
26	3011715-20	SCREW CAPTIVE WASHER CAP
27	3326142-20	BRACKET TDLER PUL
15	3325107-20	BEARING NEEDLE
16	3325495-20	SHAFT PIVOT
17	3335055-20	SCREW, HEX HEAD CAP
14	3250949	PULLEY IDLER
13	3250930-20	LEVER IDLER
12	3655115-20	BEARING ROLLER
11	3001280-20	RING RETAINING
10	423260-20	PLATE CLAMPING
9	217011-20	SPACER
8	217008-20	SPACER
7	200310	cover fan hub
6	200307	SEAL OIL
4	142176-20	NUT LOCK
5	145551	SEAL , O RING
3	16255	RING, RETAINING
2	S 911 B-20	PLUG PIPE
1	S 610-20	WASHER LOCK



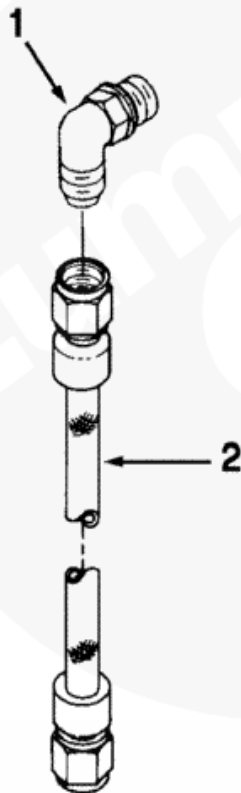
	FF 102	FULE FILTER
	3260634-40	FILTER FUFL MTG
5	68252 A-20	SPACER EXH MANF
	S 689-20	WASHER PLAIN
6	3010595-20	SCREW,CAPTIVE WASHER CAP
7	3250969-20	BRACKET FILTER
3	S 187 A-20	SCREW,HEX HEAD CAP
9	S 602-20	WASHER PLAIN
4	S 609-20	WASHER LOCK
8	3315843-29	FILTER,FUEL
	BM79886-40	FILTER FUEL
1	129859-20	ELBOW,MALE UNOIN
2	212013-20	HEAD FUEL FILTER

©Cummins Inc



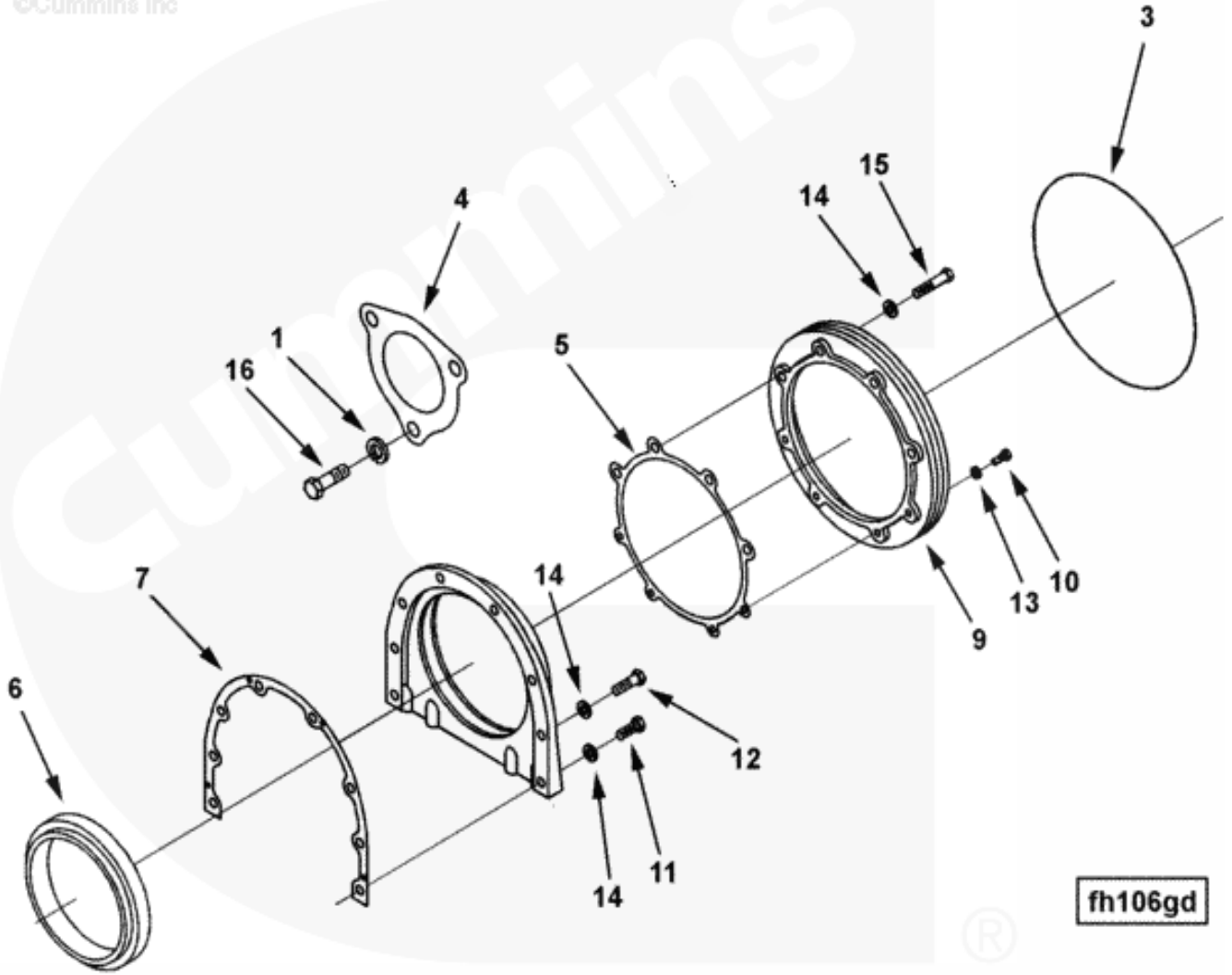
ff106gl

	FF 1707	FUEL FILTER HOSE
1	129859-20	ELBOW, MALE UNION
2	AS10020 SS-20	HOSE FLEXIBLE



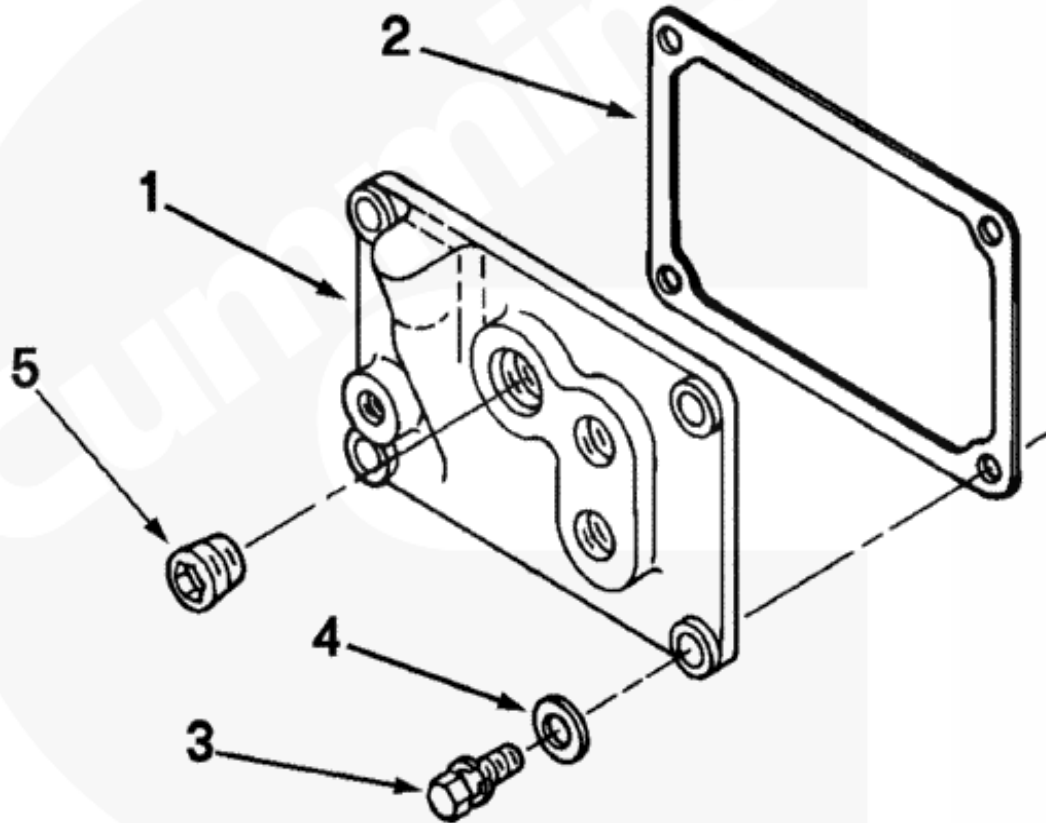
ff101gs

	FH 1400	FLYWHEEL HOUSING
1	S 603-20	WASHER LOCK
3	409191	SEAL O RING
4	3031007-20	GASKET STARTER
16	3165857-20	SCREW
	3260620-40	PLATE REAR COVER
6	3001772	SEAL OIL
8	3350448-20	COVER REAR
	3260621-40	MTG REAR COVER PLATE
7	3067616-20	GASKET, REAR COVER
5	400540-20	GASKET, REAR COVER
9	3655943-20	RETAINER SEAL
10	S 121-20	SCREW, HEX HEADCAP
11	S 129-20	SCREW, HEX HEADCAP
12	S 194-20	SCREW, HEX HEADCAP
13	S 600-20	WASHER LOCK
14	S 604-20	WASHER LOCK
15	106549-20	SCREW, HEX HEADCAP



fh106gd

	FO 1027	HAND HOLE COVER
1	186239-20	COVER HEAD HOLE
	3009581-40	BRACKET OIL GAGE MTG
2	3069097-20	GASKET HEAD HOLE
3&4	3010595-20	SCREW, CAPTIVE WASHER CAP
5	3008469-20	PLUG PIPE

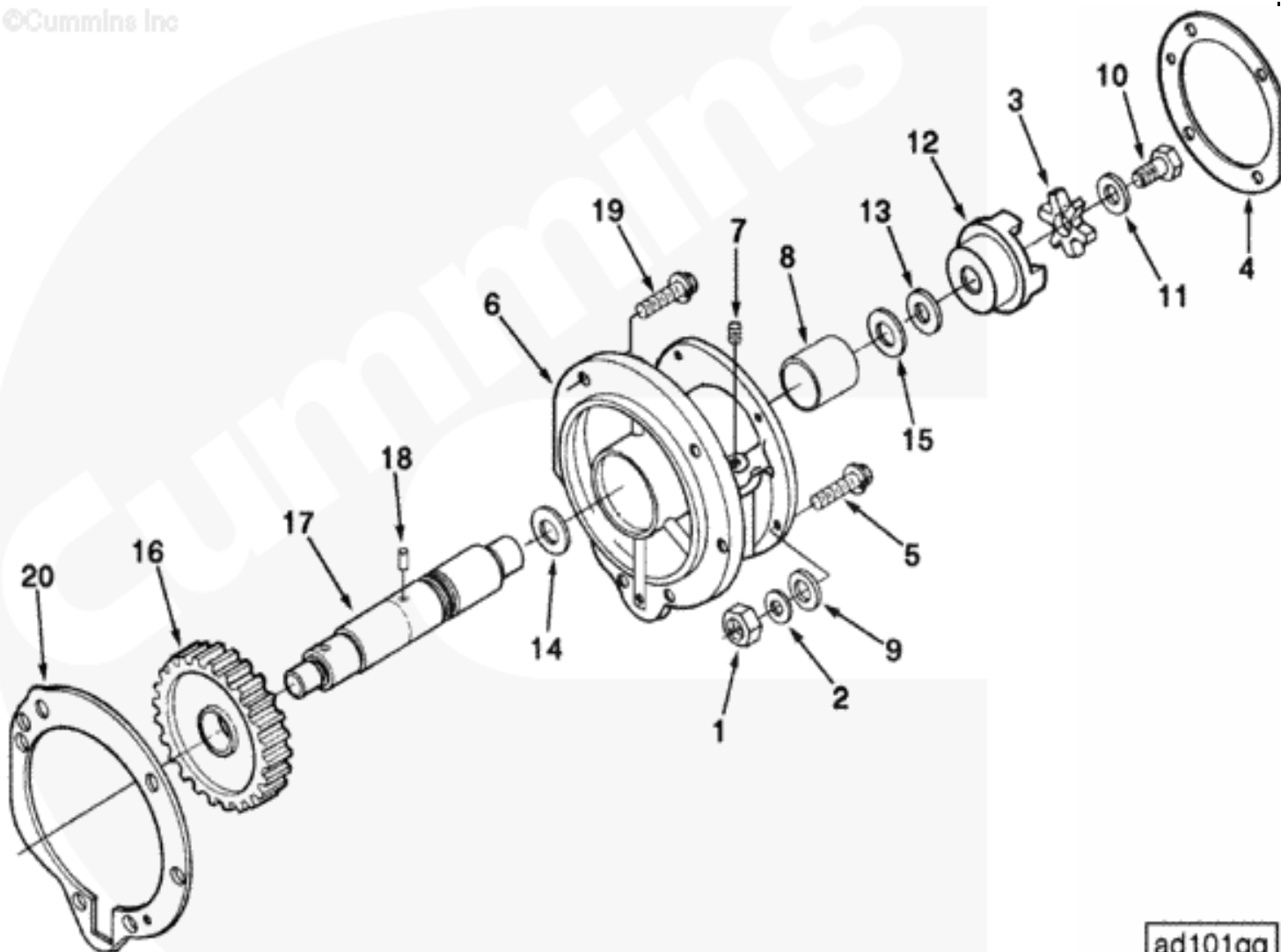


ob104gl

	FP 1519	ACCESSORY DRIVE MTG
	3005131-10	DRIVE ACCESSORY
10	129510-20	SCREW, HEX HEAD CAP
16	142689-20	GEAR ACCESSORY DRIVE
11	170664-20	WASHER PLAIN
17	3000171-20	SHAFT ACCESSORY DRIVE
12	3000175-20	COUPLING, F P DRI
13	3014103-20	WASHER, PLAIN
14	3026556-20	THRUST
15	3026557-20	BEARING, TRUST
18	3034438-20	DOWEL PIN
6	AR45728-40	HOUSING ACCESSORY
8	116391-20	BUSHING
	3002170-20	SUPPORT FUEL PUMP
7	S 911 B-20	PLUG PIPE
	3007821-40	MTG ACCESSORY DRIVE
19	3010590-20	SCREW CAPTIVE WAS
20	3076225-20	SHIM
	BM95029-40	PUMP FUEL MTG
2	69324-20	WASHER PLAIN
3	3046200-20	SPIDER JAW COUPLING

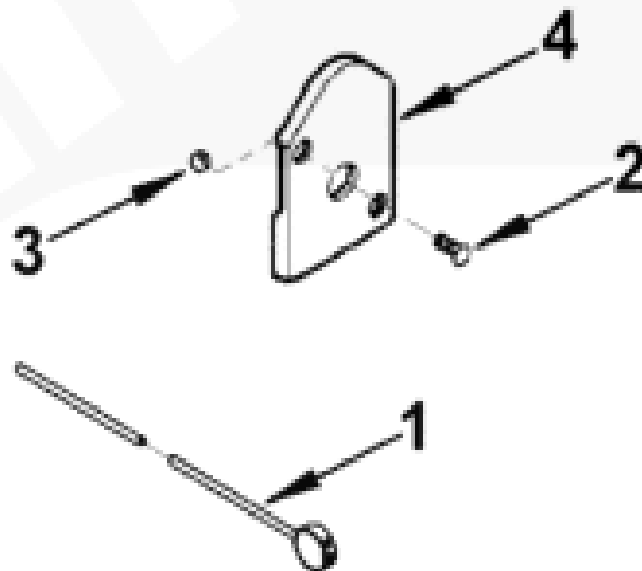
5	3818599-20	SCREW
4	4026171	GASKET, FUEL PUMP
1	S 274-20	NUT HEAVY HEXAGON
9	S 690-20	WASHER PLAIN

©Cummins Inc



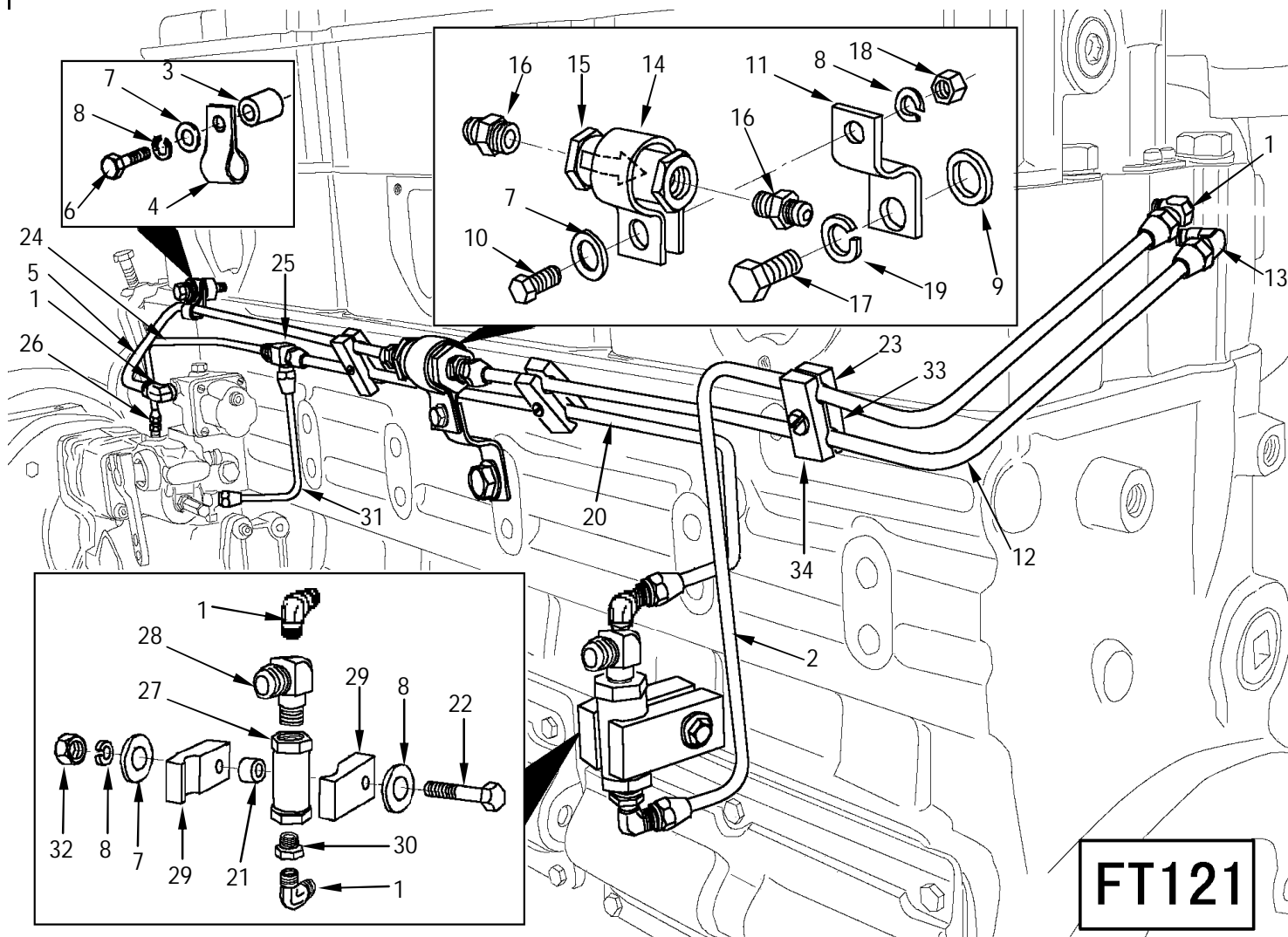
ad101gg

	FP 1647	SEAL
	4915246-10	SEAL, FUEL PUMP
3	213769	PLUG BALL
4	3000446-20	COVER FUEL CONTROL
1	3003156-20	SEAL WIRE
2	S 2286-20	SCREW DRIVE



	FT 121	FUEL TUBING
1	116936-20	ELBOW MALE ADAPTER
2	3165641-20 3166082-40	TUBE FUEL DRUIN MTG.TUBE FUEL
3	63385-20	SPACER
4	180372-20	CLIP
5	3165639-20	TUBE FUEL SUPPLY
6	S 137-20	SCREW, HEX HEAD CAP
7	S 602-20	WASHER PLAIN
8	S 604-20	WASHER LOCK
9	4061471-40 65434-20	NTG.FUEL SUPLY SPACER MOUTING
10	69793-20	SCREW, HEX HEAD CAP
11	113710-20	BRACKET OIL GAUGE
12	3165640-20	TUBE FUEL SUPPLY
13	3165835-20	ELBOW, ADAPTER
	4915073-10	VALVE, CHECK
14	107460-20	CLIP
15	185505-20	VALVE CHECK
16	3165864-20	ADAPTER

17	S 151 C-20	SCREW, HEX HEAD CAP
18	S 205-20	NUT REGULAR HEXAGON
7	S 602-20	WASHER PLAIN
8	S 604-20	WASHER LOCK
19	S 609-20	WASHER LOCK
20	4914112-20	TUBE, FUEL DRAIN

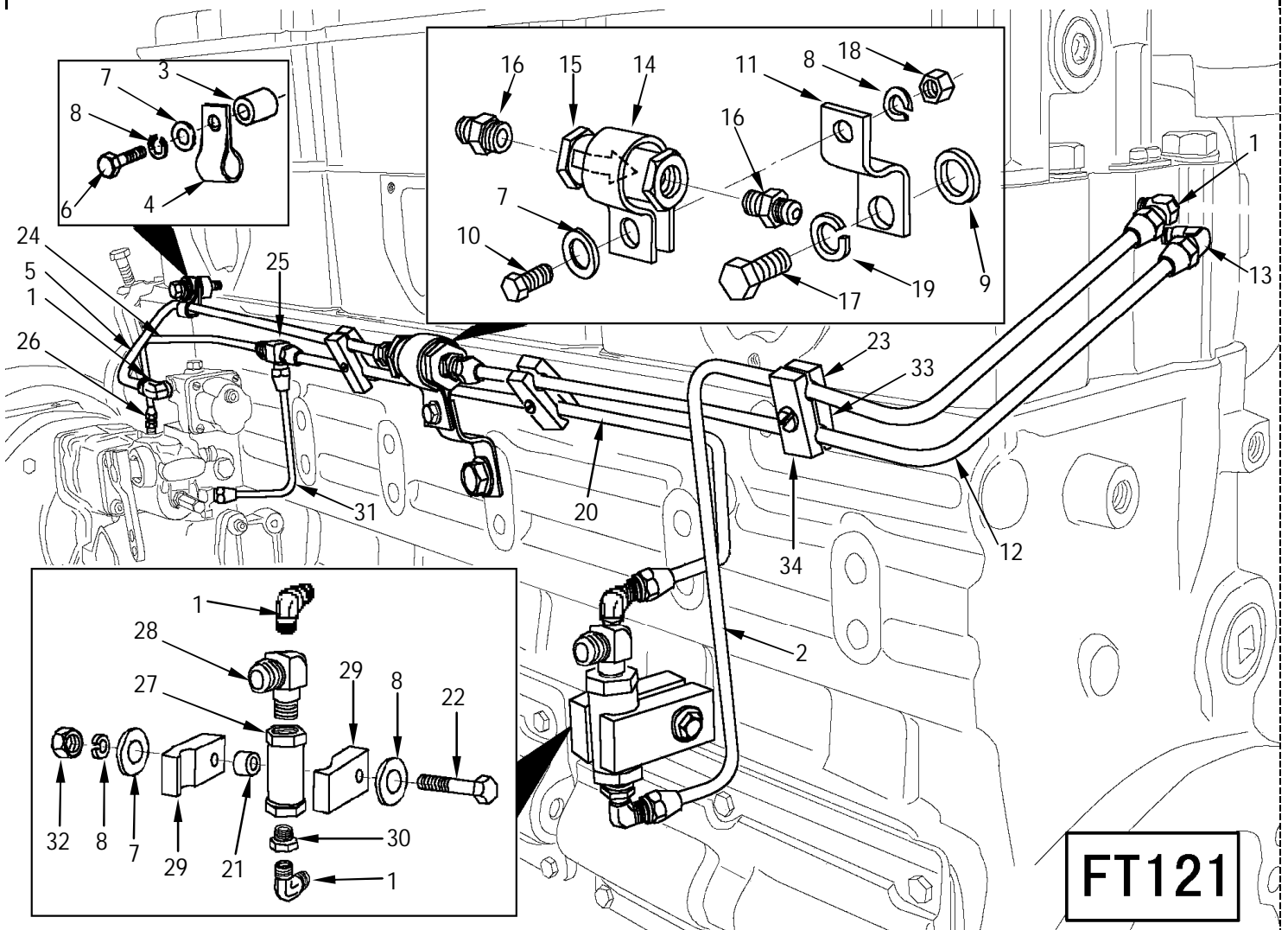


FT121

	4915274-10	MTG. BYPASS TUBE FUEL
21	68368 B-20	SPACER
1	116936-20	ELBOW MALE ADAPTER
22	177020-20	SCREW HEXAGON HEAD CAP
23	3007025-20	CLIP
24	3165646-20	TUBE FUEL DRAIN
25	3165833-20	TEE
26	3165837-20	CONNECT, DRINN
31	4061202-20	HOSE, FUEL
	4915273-10	VALVE, CHECK
1	116936-20	ELBOW MALE ADAPTER
27	178079-20	VALVE CHECK
29	3165643-20	CLAMP
28	4914125-20	ELBOW

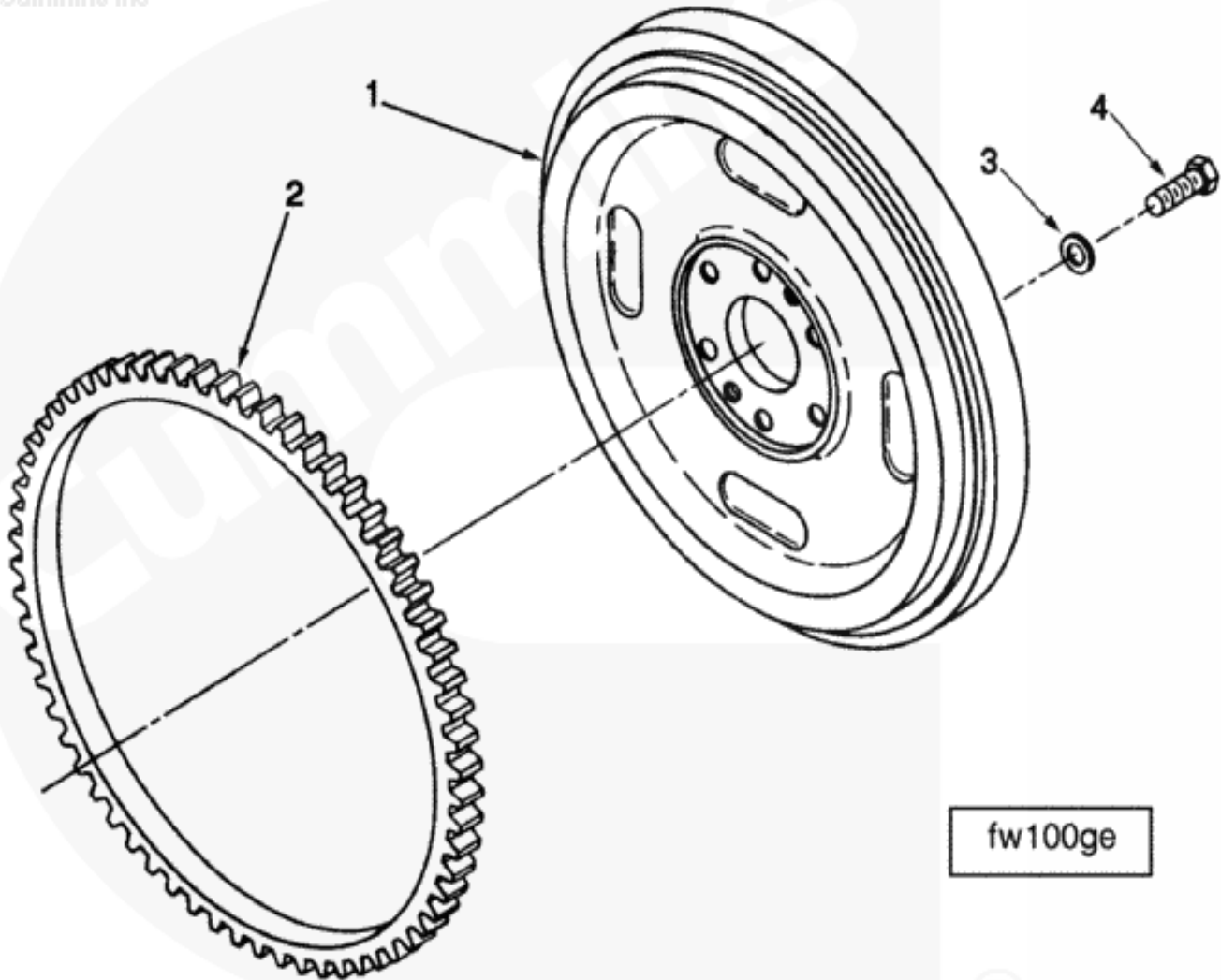
<https://vk.com/dieselinj>

30	S 929 B-20	BUSHING REDUCING PIPE
32	S 223-20	NUT HEAVY HEXAGON
33	S 251-20	NUT REGULAR HEXAGON JAM
7	S 602-20	WASHER PLAIN
	S 604-20	WASHER LOCK
	S 1315-20	SCREW PAN HEAD



FT121

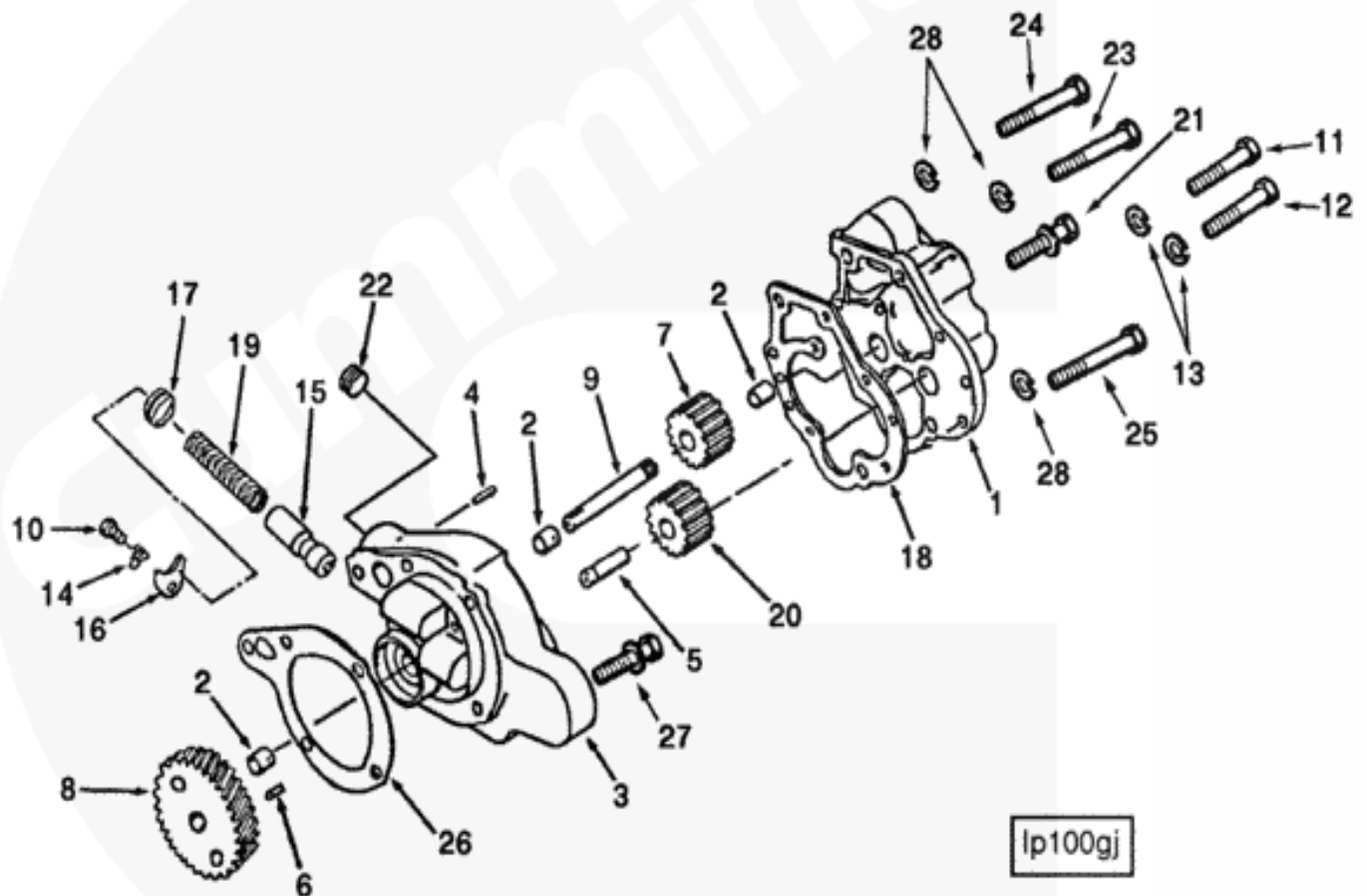
	FW 1007	FLYWHEEL
	3251188-20	FLYWHEEL
1	425710-20	FLYWHEEL
2	422350-20	Gear, Flywheel Ring
	FW1400	FLYWHEEL MTG
3	200861	WASHER PLAIN
4	213883	SCREW, HEX HEAD CAP



	HD 1025	LUB OIL PUMP
	AR 9835-40	PUMP LUB OIL
	3042378-10	PUMP LUB OIL
14	109319-20	LOCKPLATE
15	109333-20	PLUNGER
16	126304-20	CLAMP RETINING
17	134596-20	PLUG BY-PASS VALVE LUB
	177432-10	COVER
2	69521-20	BUSHING
1	177414-10	COVER LUB PUMP
18	203145-20	GASKET LUB OIL PUMP COVE
19	211939	SPRING COMPRESSION
	211942-10	BODY
4	69519-20	DOWEL PIN
9	177417-20	SHAFT LUB PUMP DRIVE
5	177419-20	SHAFT LUB OIL PUMP
	211938-10	BODY & BUSHING LUB PUMP
2	69521-20	BUSHING
3	211929-10	BODY LUBRICATING OIL PUM
	3014783-20	GEAR LUB PUMPING
8	3025281-20	GEAR

22	3008469-20	PLUG PIPE
20	3014965-10	GEAR LUB OIL PUMPING
	68365-20	BUSHING
	3014784-20	GEAR LUB OIL PUMPING
21	3022590-20	SCREW CAPTIVE WASHER
11	S 103-20	SCREW HEXAGON HEAD CAP
10	S 109-20	SCREW, HEX HEAD CAP
12	S 111-20	SCREW, HEX HEAD CAP
13	S 605-20	WASHER LOCK
27	3012479-20	SCREW CAPTIVE WAS
26	3067613	GASKET LUB OIL PUMP
24	S 119 C-20	SCREW, HEX HEAD CAP
25	S 136 B-20	SCREW, HEX HEAD CAP
23	S 140 C-20	SCREW, HEX HEAD CAP
28	S 610-20	WASHER LOCK

©Cummins Inc

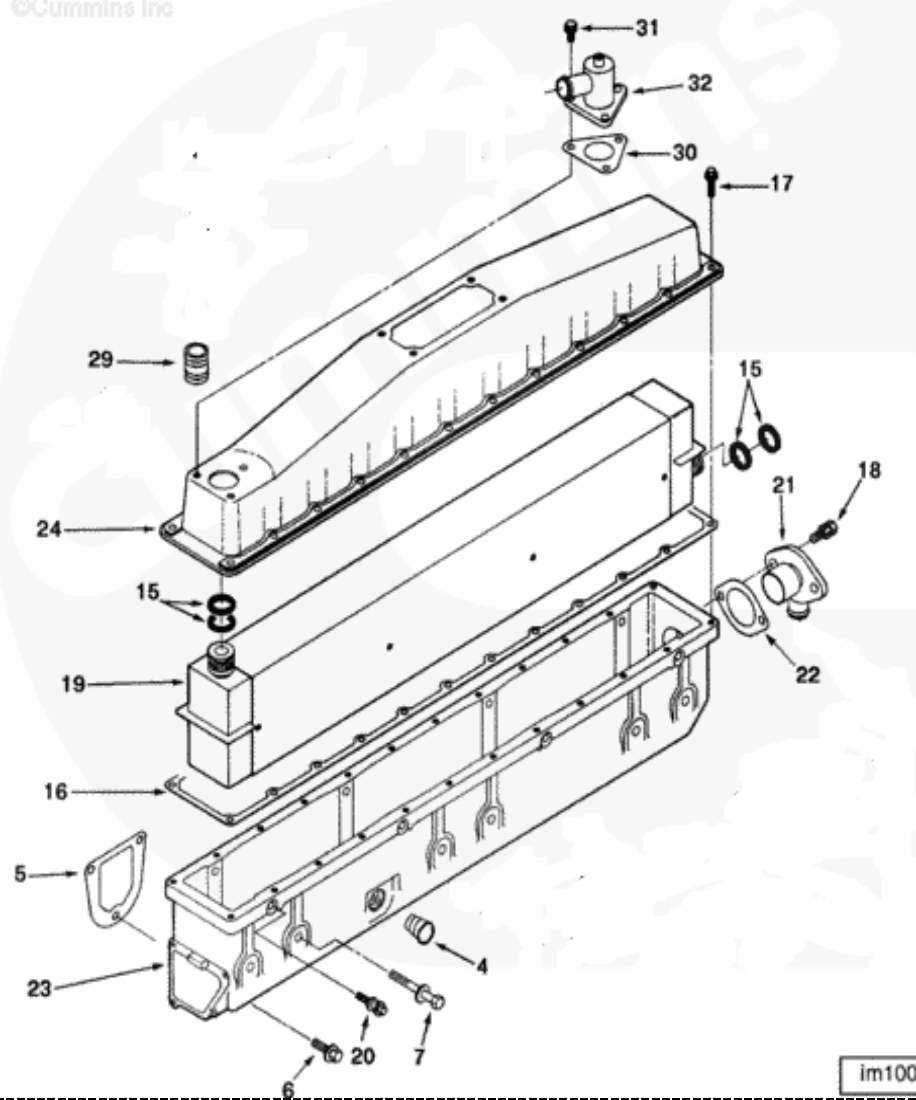


	IM 1082	AIR INTAKE MANIFOLD
	3008790-40	MANIFOLD AIP MTG
4	3008470-20	PLUG PIPE
5	3008591-20	GASKEK
6	3011716-20	SCREW CAPTIVE WAS

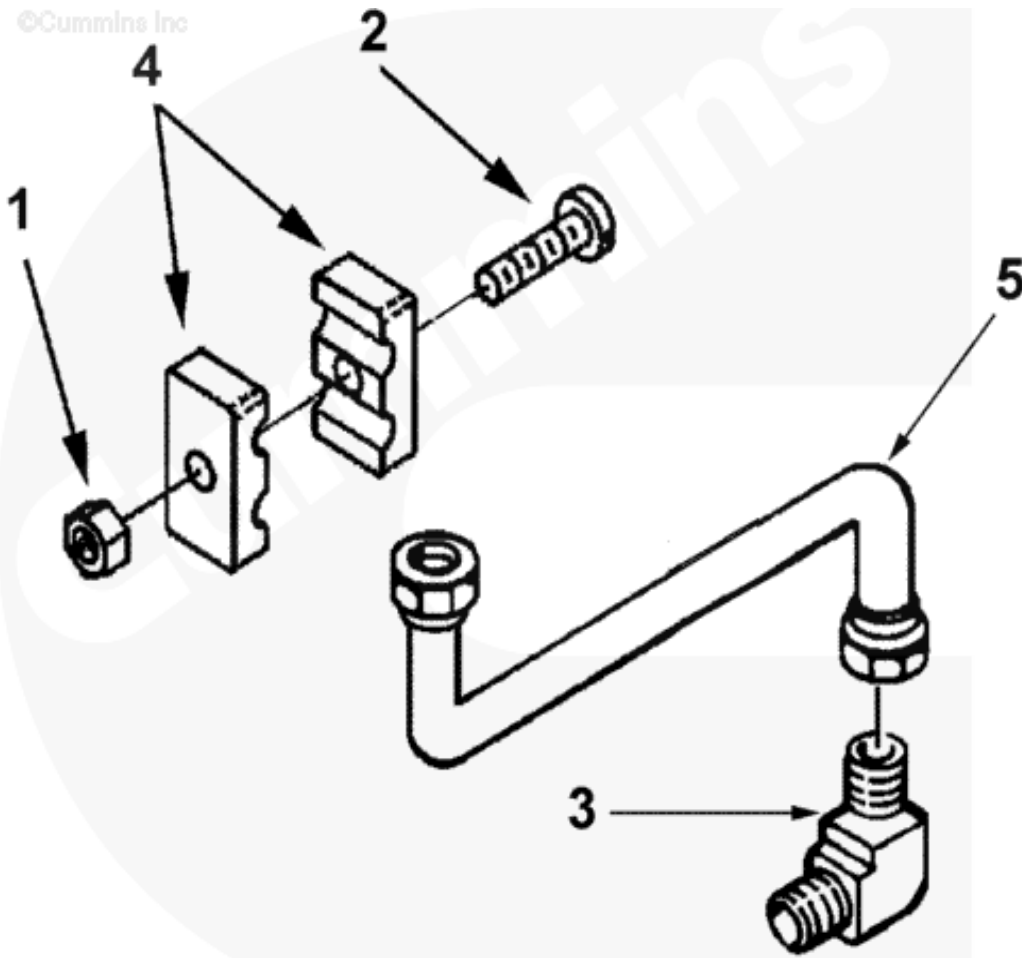
<https://vk.com/dieselinj>

7	3028967-20	SCREW
20	S 911 B-20	PLUG PIPE
	3419233-20	ASSY AFTERCOOLER
15	195925	SEAL O RING
16	216486	GASKET AFTERCOOLER HOUSING
19	3028997-20	CORE, AFTERCOOLER
22	3032348-20	GASKET WTR TRS CONNECTION
30	215044-20	GASKET WTR TRS CONNECTION

©Cummins Inc



	IM 1781 CE	AIR INTAKE MANIFOLD MTG.
	68138-20	UNION, MALE
	3260683-40	TUBE MANIFOLD PRE
	68138-20	UNION, MALE
3	68139-20	BLBOW MALE ADAPTE
4	3007025-20	CLIP
5	3655002-20	TUBE MANIFLD PRE
1	S 251-20	NUT REGULAR HEXAGON JAM
2	S 1315-20	SCREW PAN HEAD



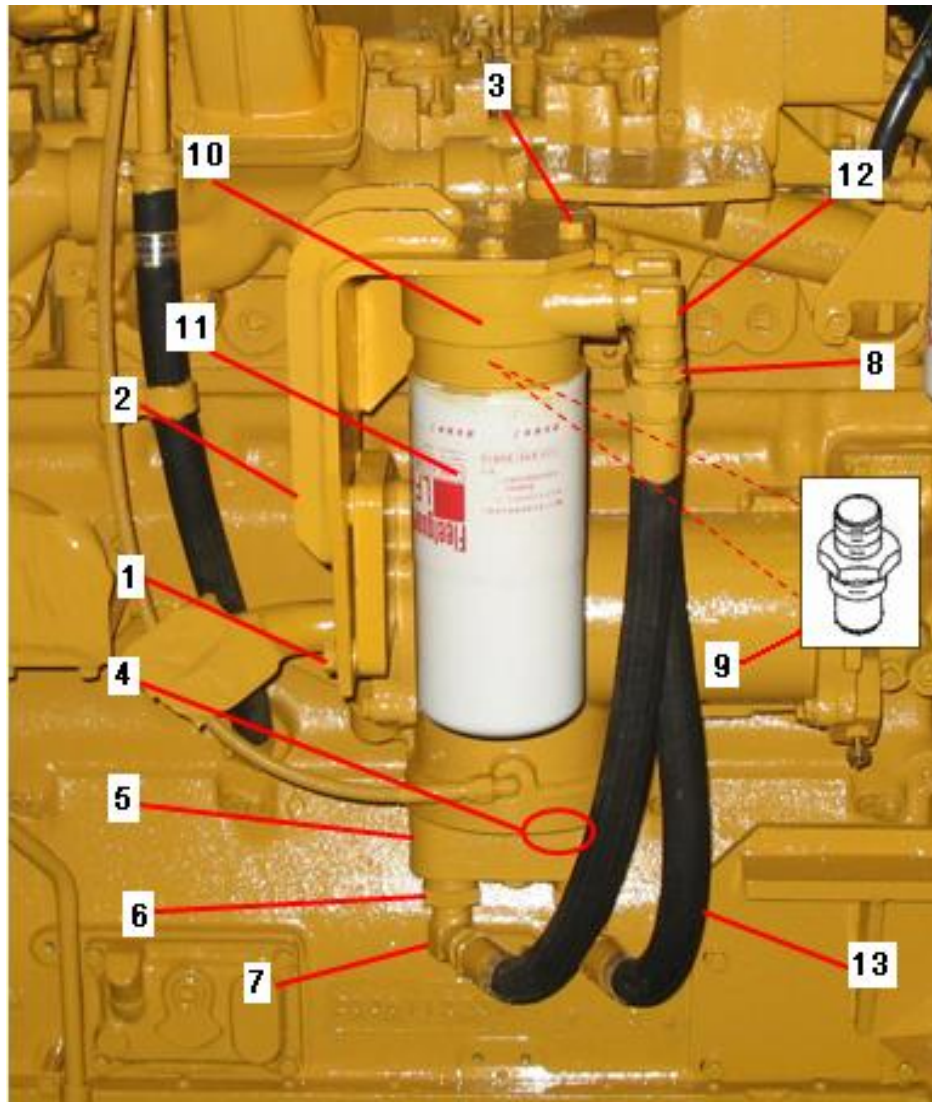
im105gz

	LF 1085	LUB OIL FILTER ELEMENT
	3260653-40	BRACKET LUB FILTE
1	103023-20	SCREW, HEX HEAD CAP
	S 610-20	WASHER LOCK
3	S 145-20	SCREW, HEX HEAD CAP
	S 608-20	WASHER LOCK
	S 670-20	WASHER PLAIN
	3260687-40	ADAPTER LUBE OIL
	8265-20	WASHER PLAIN
4	3016362	SEAL RECTANGULAR
5	3027733-20	ADAPTER FILTER HE
6	S 915 B-20	BUSHING REDUCINS PIPE
7	S 988-20	ELBOW PLAIN STREET PIPE
	3419177-40	FILTER, LUB OIL
8	119984-20	CONNECTOR MALE
9	3034578-20	ADAPTER FILTER HE
10	3419151-20	ASSEM FILTER HEA
11	3889310-29	FILTER, LUB OIL
12	S 988-20	ELBOW PLAIN STREET PIPE
	S 995-20	PLUG PIPE

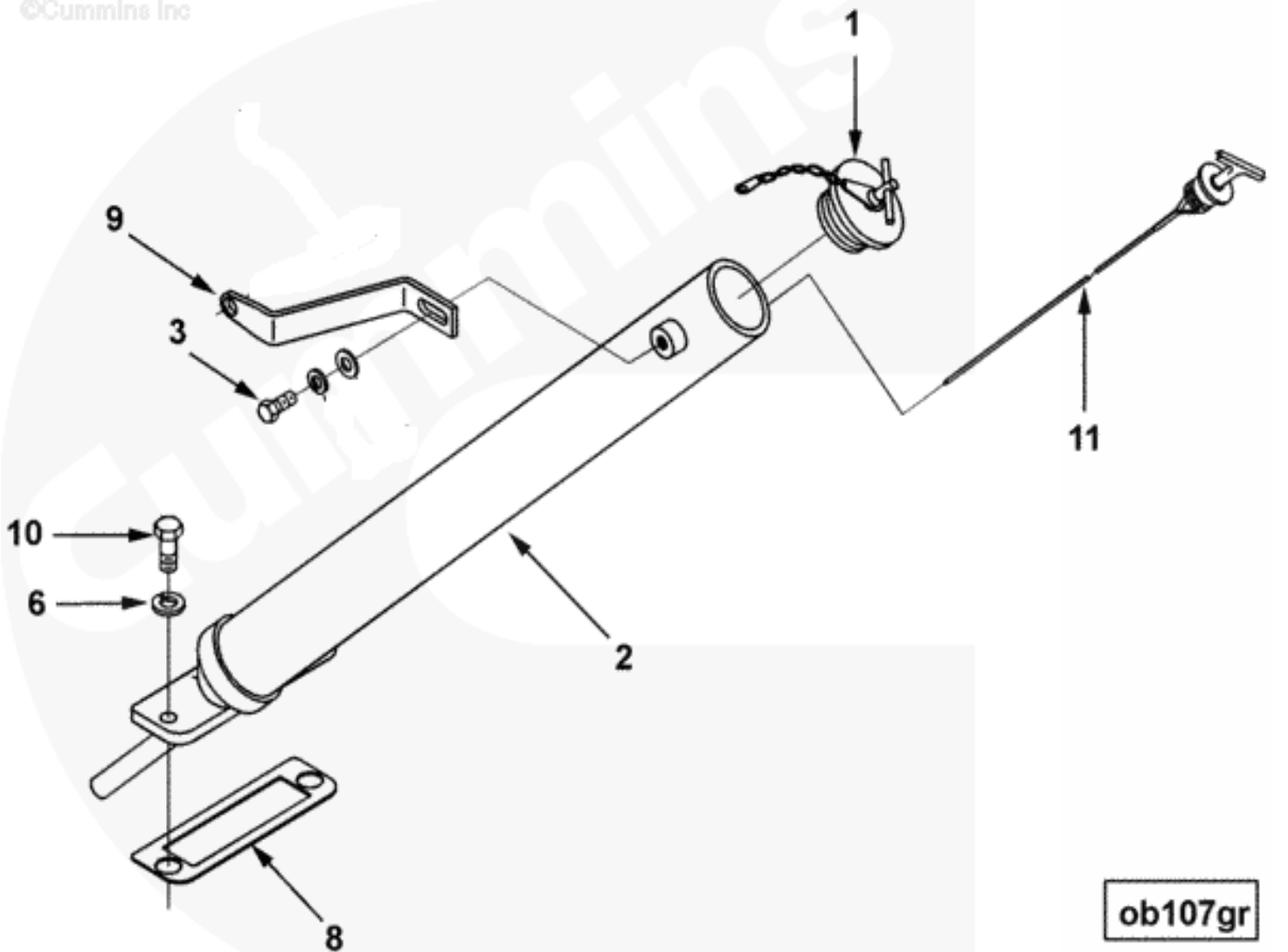
13

AS16024 6MS-20

HOSE FLEXIBLE

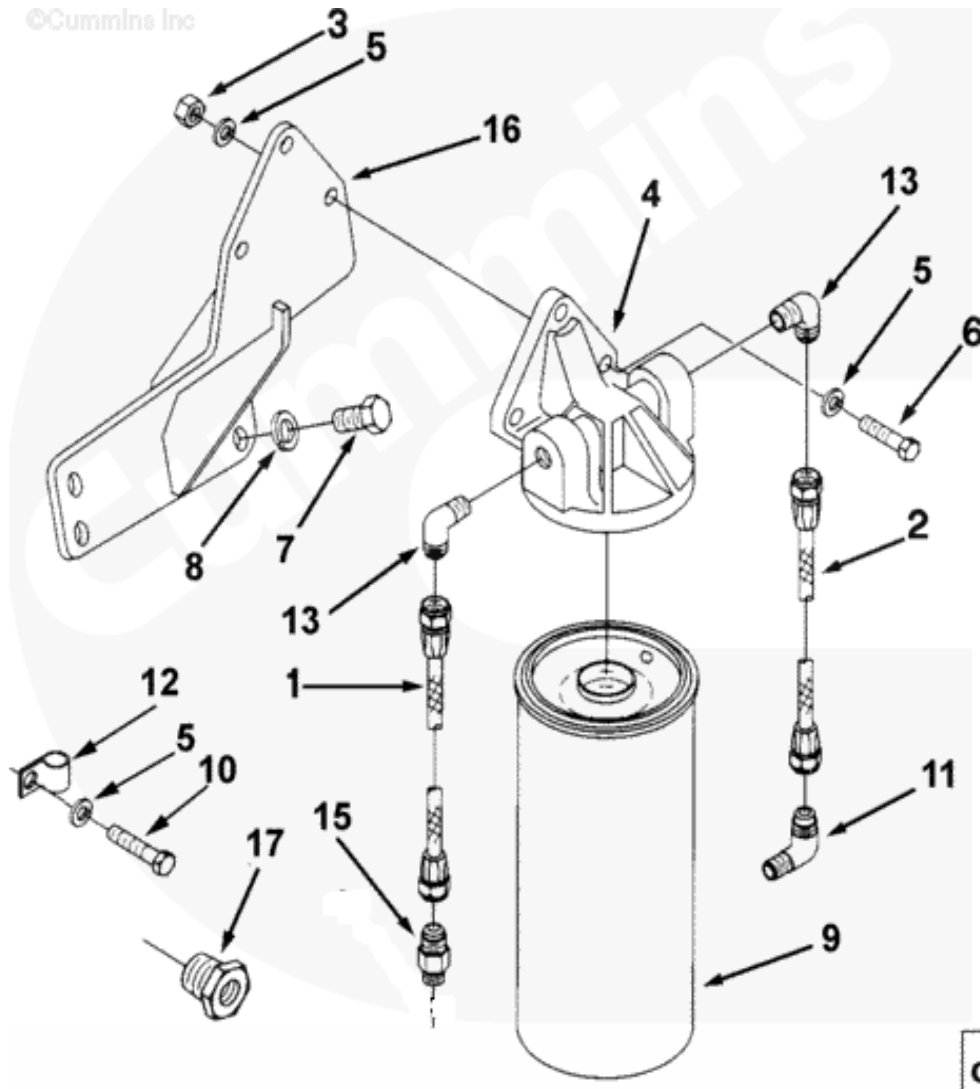


	OB 1142	OIL DIPSTICK & GAUGE
1	3418519-20	CAP, FILLER
2	3250939-20	BRACKET OIL TUBE
	3260633-40	MTG DIPSTICK & FI
8	421541-20	GASKET OIL GAUGE
3	3038076-20	SCREW
9	3251004-20	BRACE TUBE
10	3335005-20	SCREW, HEX HEAD CAP
6	S 608-20	WASHER LOCK
11	3326078-20	LIPSTICK



ob107gr

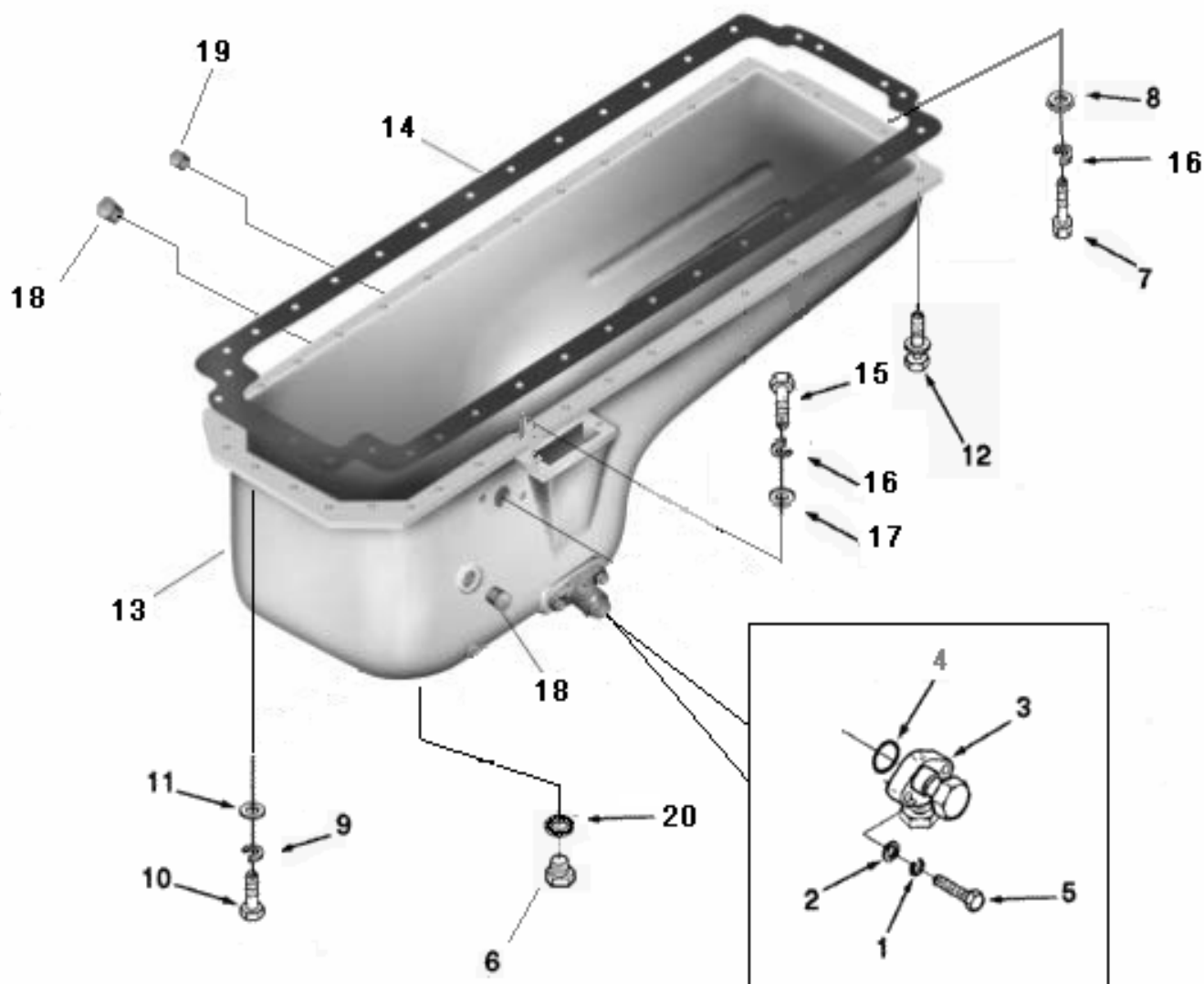
	OF 1020	LUB OIL FILTER ELEMENT
	3260665-40	MTG BYPASS FILTER
12	68425-20	CLIP
13	68645-20	ELBOW MALE ADAPTER
6	108707-20	SCREW, HEXAGON HEAD CAP
15	121229-20	ELBOW MALE ADAPTER
11	144378-20	ELBOW MALE ADAPTER
16	3250942-20	BRACKET FILTER
7	S 151 C-20	SCREW, HEX HEAD CAP
10	S 190 C-20	SCREW, HEX HEAD CAP
3	S 223-20	NUT HEAVY HEXAGON
5	S 604-20	WASHER LOCK
8	S 609-20	WASHER LOCK
17	S 985 C-20	BUSHING REDUCING PIPE
4	3304173-20	HEAD LUB OIL FILTER
9	3889311-29	FILTER, LUB OIL
1	AS 6025 SS-20	HOSE FLEXIBLE
2	AS 6042 SS-20	HOSE FLEXIBLE



of101gg

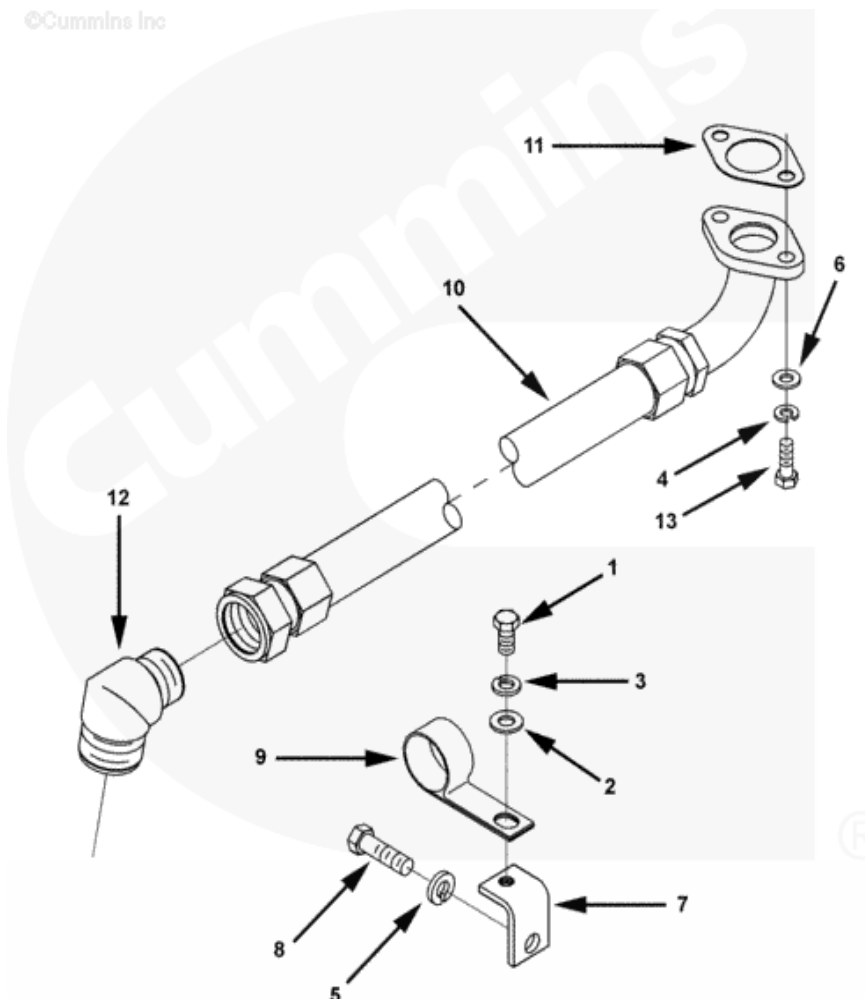
	OP 102	OIL PAN
	3655199-40	OIL PAN
1	3165957-20	WASHER PLAIN
2	3165976-20	WASHER LOCK
3	3325064-20	VALVE SHUTOFF
4	3655315-20	SEAL O RING
5	3335003-20	SCREW, HEX HEAD CAP
6	3046942-20	PLUG PIPE
20	3046943	SEAL O RING
13	3655194-20	OIL PAN
18	3008470-20	PLUG PIPE
19	4931643-20	PIPE PLUG
	4915093-10	OIL PAN
7	S 142-20	SCREW, HEX HEAD CAP
8	104856-20	SPACER
10	103009-20	SCREW, HEX HEAD CAP
9	S 610-20	WASHER LOCK
11	S 622-20	WASHER PLAIN
12	3008069-20	SCREW CAPTIVE WAS
14	3099083-20	GASKET OIL PAN

15	3335001-20	SCREW, HEX HEAD CAP
16	S 605-20	WASHER LOCK
17	3600283-20	WASHER, PLAIN



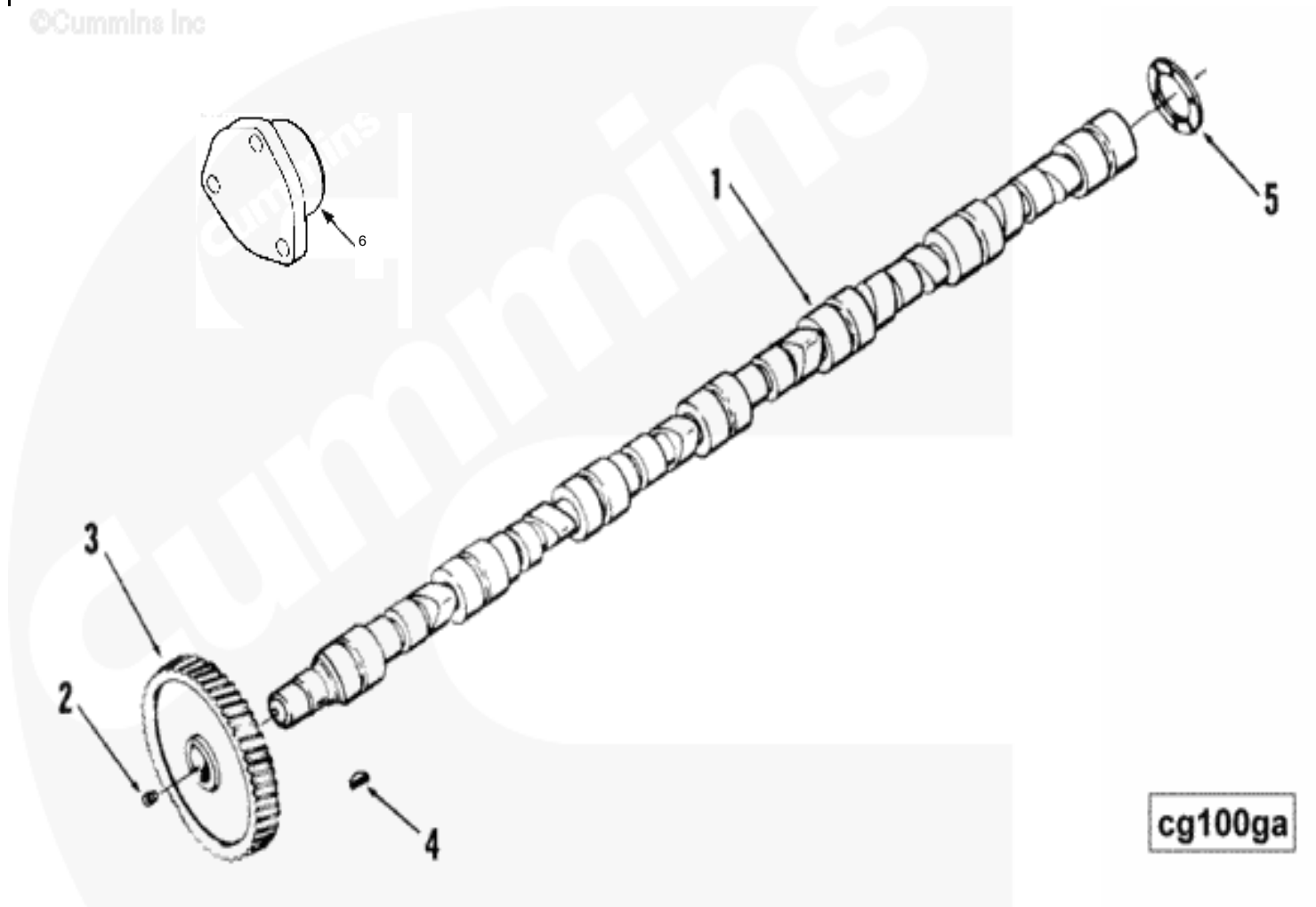
	OP 1385	OIL PAN
	3260630-40	LUB OIL SUCTION T
7	68038-20	SUPPORT TUBE
11	157551-20	GASKET OIL SUC
4.6.13	3010595-20	SCREW, CAPTIVE WASHER CAP
9	3016478-20	CLIP
8	3034526-20	SCREW CAPTIVE WASHER
10	3250943-20	HOSE FLEX
12	3251022-20	ELBOW MALE ADAPTER
5	3600283-20	WASHER, PLAIN
1	S 117-20	SCREW, HEX HEAD CAP
2	S 602-20	WASHER PLAIN
3	S 604-20	WASHER LOCK

©Cummins Inc

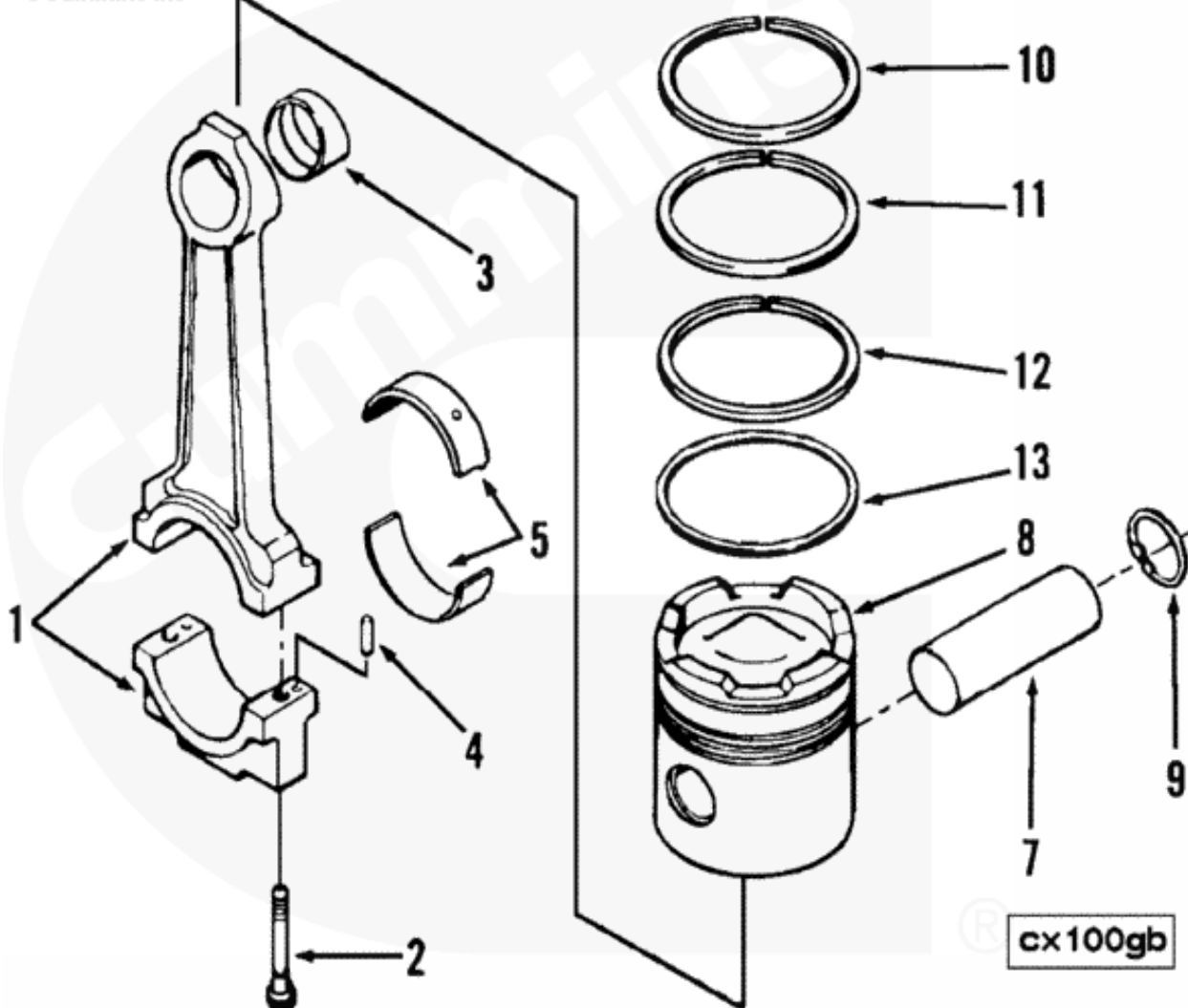


op106gv

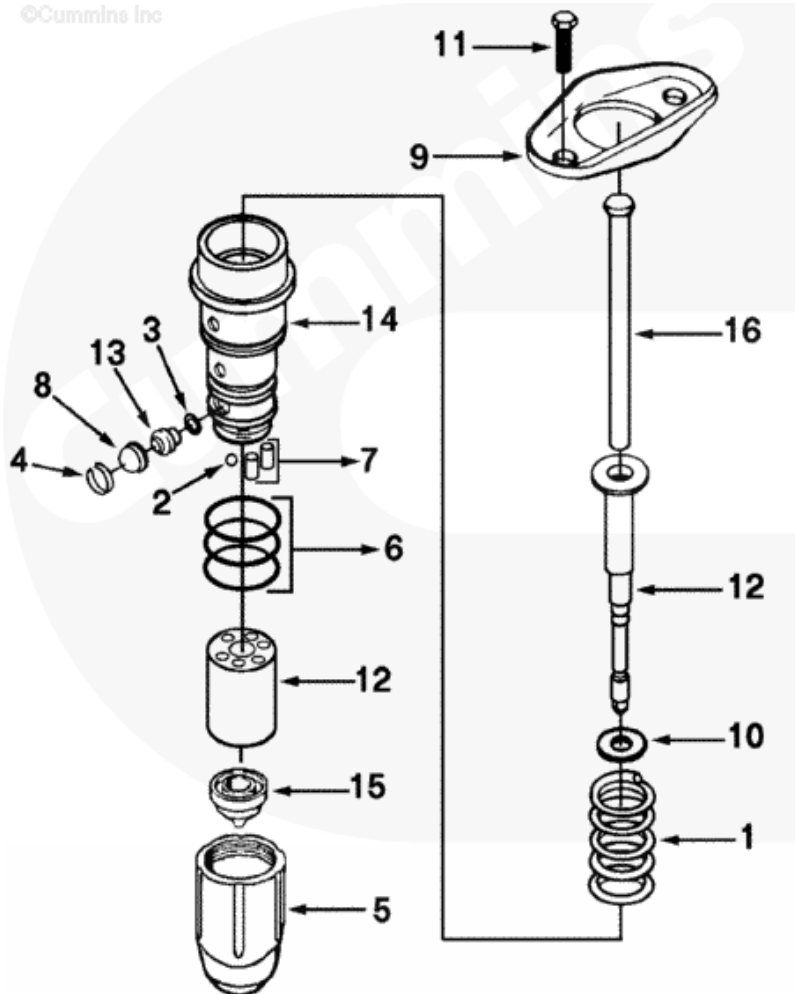
	PP 517 CE	PARTS, PERFORMANCE
	3049026-40	CAMSHAFT
2	68193-20	PLUG PIPE
4	3021592-20	KEY OFFSET
3	3035195-20	GEAR CAMSHAFT
1	3042568-20	CAMSHAFT
5	215233-20	BUING
6	3008530-20	SUPPORT CAMSHAFT THRUST



	3022156 CE-40	PISTON & CONNROD
9	175755-20	RING RETAINING
7	191970-10	PIN PISTON
5	214950-20	BEARING, ROD
	3013930-10	ROD ENGINE CONNECTION
4	70550-20	PIN
3	187420-20	BUSHING, ROD
1	218808-10	ROD ENGINE CONNECTION
2	219153-20	BOLT, CONNECTING ROD
8	3017349-20	PISTON ENGINE
10	3103157	RING, COMPRESSOR
11	3103158	RING, COMPRESSION
12	3103159	RING, COMPRESSOR
13	4058969	RING OIL PISTON



	3054218-20	INJECTOR
1	166009	Spring, Compression
2	167157	Ball, Check
3	173086	Gasket, Injector
4	174299	Retainer, Screen
5	185138	Retainer, Injector Cup
6	193736	O Ring
7	203426	Pin, Roll
8	3008706	Screen, Filter
12	3047964	Barrel & Plunger
13	3045047	Plug, Injector Orifice
14	185139	Adapter, Injector
15	3012536	Cup, Injector
	3032392-40	MTG INJECTOR
10	180626-20	WASHER INJECTOR CLAMPING
16	191916-20	LINK INJECTOR PLUNGER
11	3028279-20	SCREW, HEX HEAD CAP
9	3031137-20	CLAMP INJECTOR

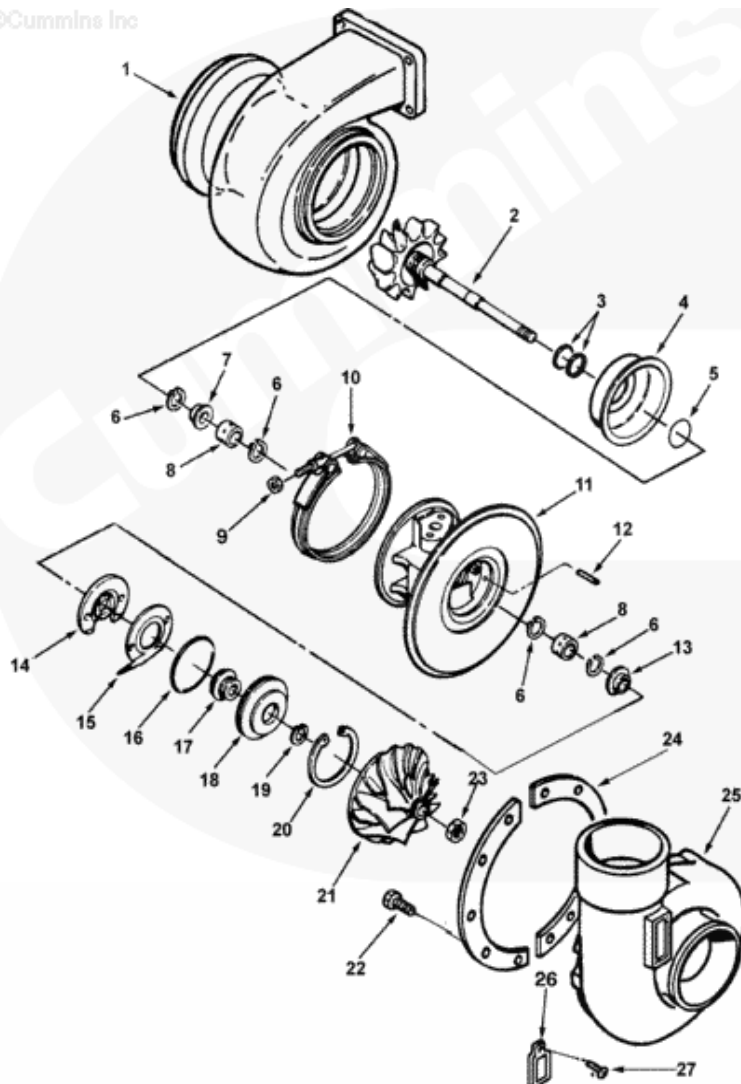


fi100go

	3529040-20	TURBOCHARGER
1	3521837	HOUSING, TURBINE
2	3594952	SHAFT & WHEEL
3	3521441	SEAL, SPLIT RING
4	3519155	SHIELD, TURBOCHARGER HEA
5	3521442	SEAL, SPLIT RING
6	3709510	RING, RETAINING
7	3757753	SLEEVE, OIL CONTROL
8	3722366	BEARING, TURBOCHARGER
9	3529372	NUT, REGULAR HEXAGON
10	3504959	CLAMP, V BAND
	3522740	HOUSING, TUR BEARING
11	3522416	HOUSING, TUR BEARING
12	3756135	PIN, ROLL
13	3521440	COLLAR, THRUST
14	3536075	BEARING, TUR THRUST
15	3529658	BAFFLE, OIL
16	3751948	SEAL, O RING
17	3521439	SLINGER, OIL
18	3759618	PLATE, OIL SEAL

19	3718373	RING,RETAINING
20	3723863	RING,RETAINING
21	3527047	IMPELLER,TUR COMPRESSOR
22	3526653	SCREW,CAPTIVE WASHER CA
23	3519471	NUT,LOCK
24	3520981	PLATE,CLAMPING
25	3529016	HOUSING,COMPRESSOR
26	3527619	DATAPLATE
27	3519163	SCREW,DRIVE

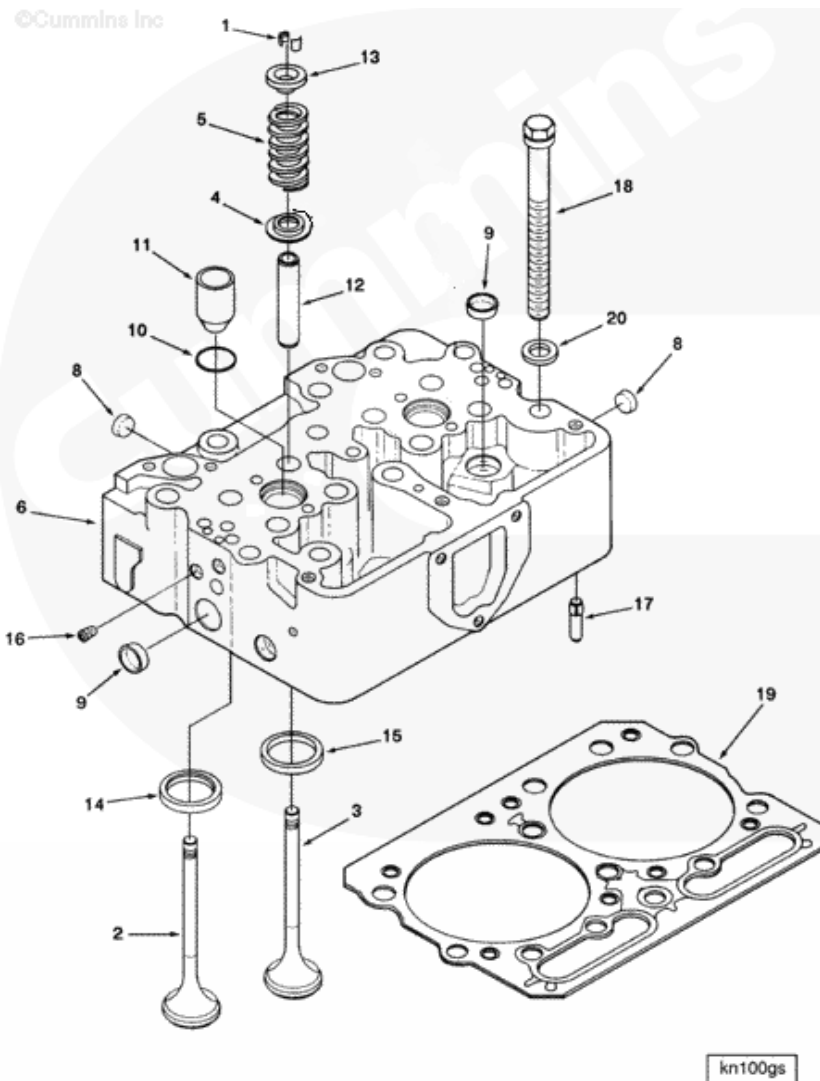
©Cummins Inc



	4061141-20	CROSSHEAD VALVE
	4915442-10	HEAD CYLINDER
1	127554	COLLET VALVE
3	135957-20	VALVE INTAKE
2	145701-20	VALVE EXHAUST
13	170296-20	GUIDE VALVE SPRING
5	211999	SPRING VALVE
4	4913845-20	GUIDE VALVE SPRING
6	4915441-10	HEAD CYLINDER
	67861-20	PLUG PIPE
14	127930-20	INSERT VALVE

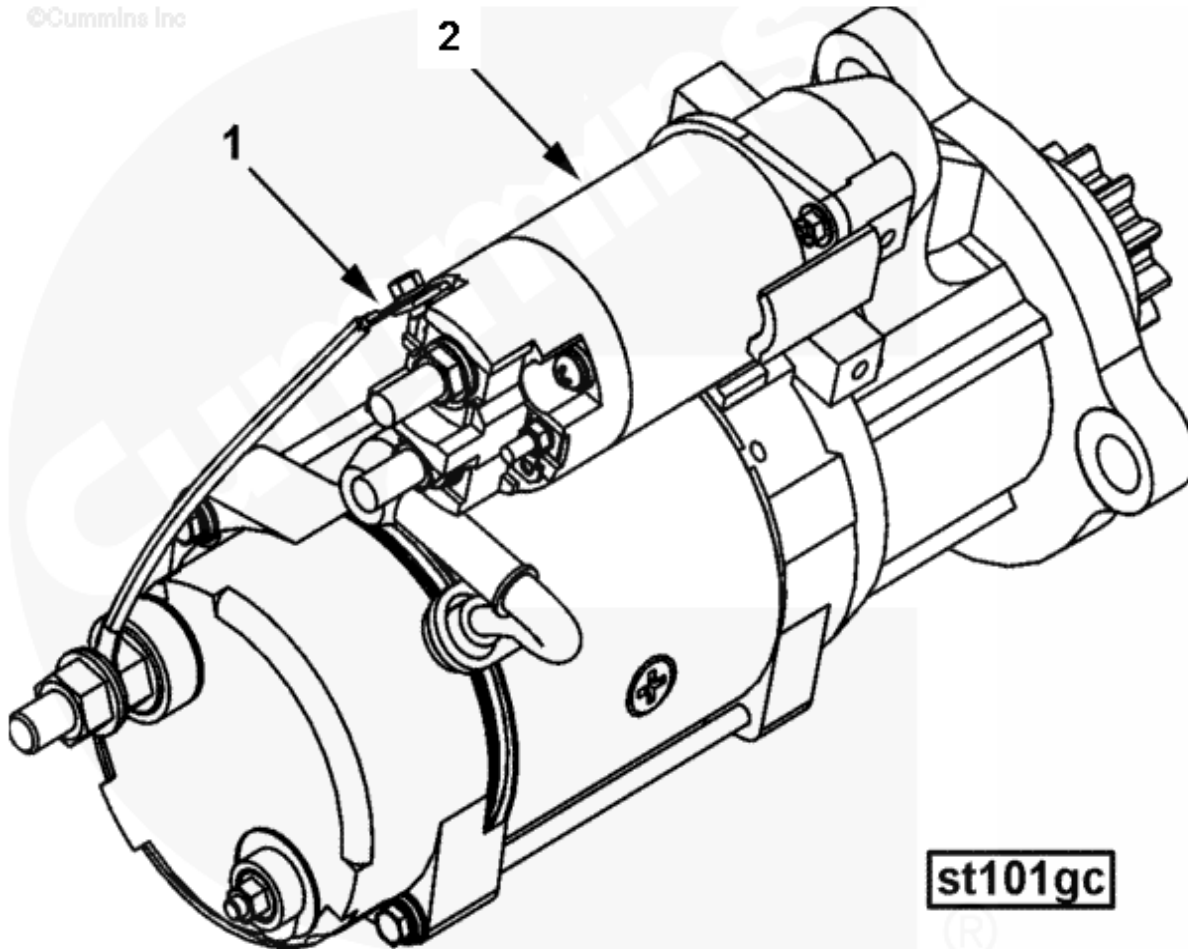
<https://vk.com/dieselinj>

15	200354-20	RETAINER, INTAKE VALVE
12	3006456-20	GUIDE VALVE STEM
10	3007759	SEAL O RING
	3008469-20	PLUG PIPE
	3008470-20	PLUG PIPE
11	3406702-20	SLEEVE CU
6	4913691-10	HEAD CYLINDER
16	S 911 B-20	PLUG PIPE
	3027340 CE-40	HEAD CYLINDER MTG
20	69699-20	WASHER PLAIN
18	3013623-20	SCREW, HEX HEAD CAP
19	4058790-20	GASKET CYLINDER



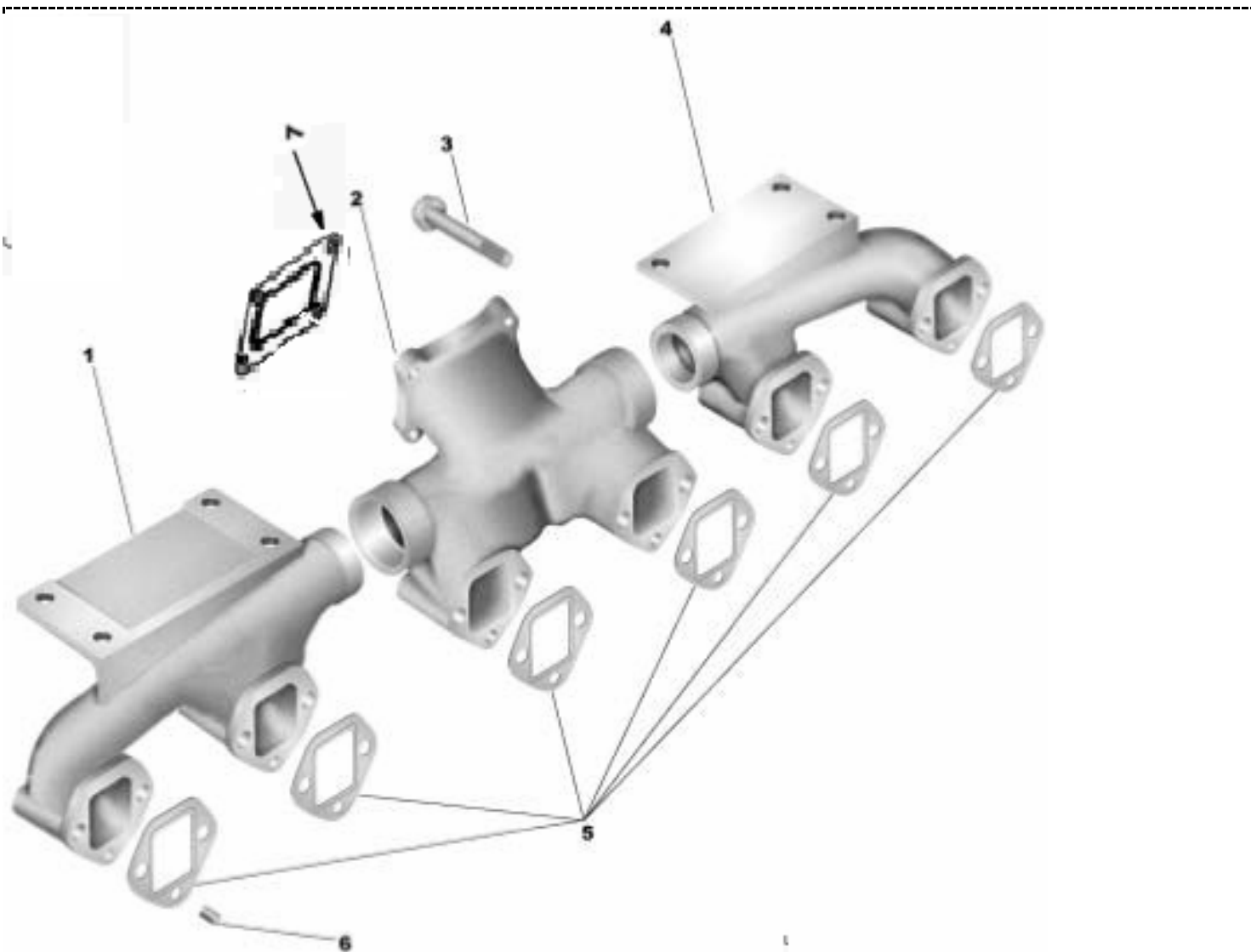
	ST 1388	起动机马达
		MOTOR, STARTING
1	3018924-20	接地线20
		WIRE GROUND
2	3103914	起动机马达
		MOROR, STARTING

©Cummins Inc

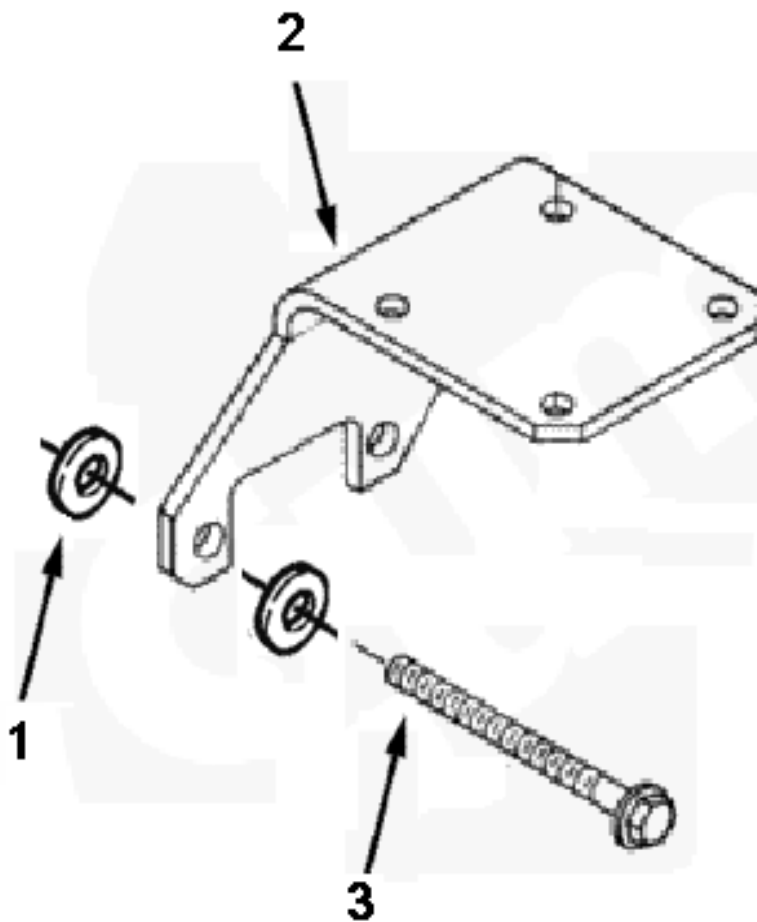


st101gc

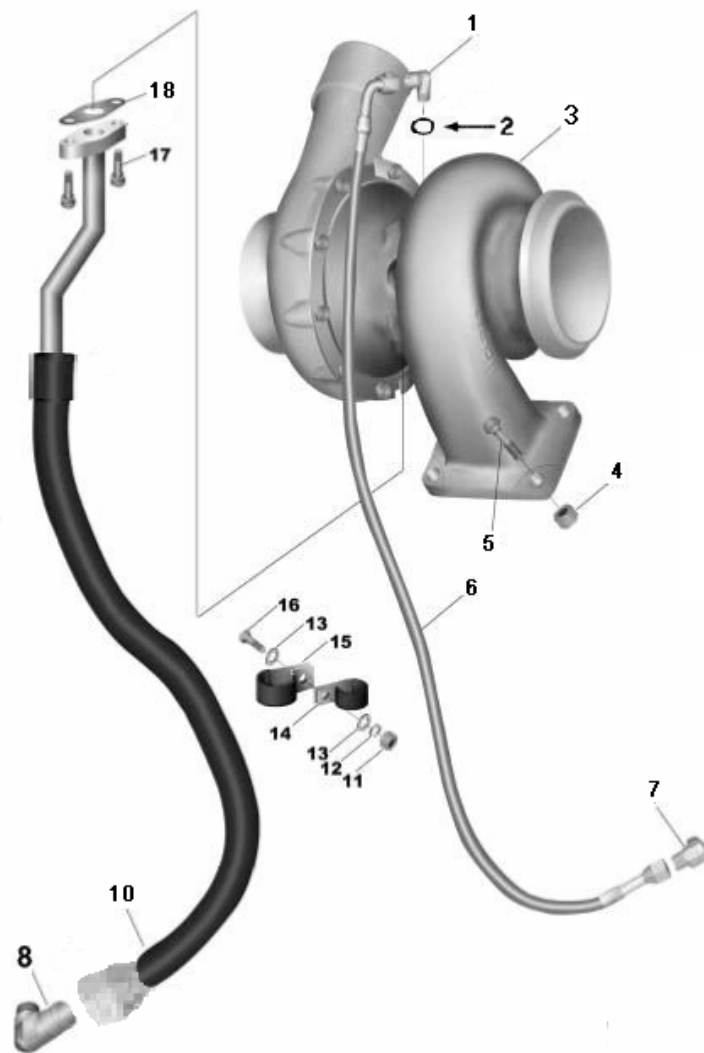
	TB 1136	EXHAUST MANIFOLD MTG
	3014945-40	EXHAUST MOUNTING
6	105199-20	PIN GROOVE
5	3020943-20	GASKET,DXHAUST MANIFOLD
3	3043647-20	SCREW,HEX HEAD CAP
7	3069177-20	GASKET
1	3165310-20	MANIFOLD EXHAUST
4	3165312-20	MANIFOLD EXHAUST
2	3252046-20	MANIFOLD EXHAUST



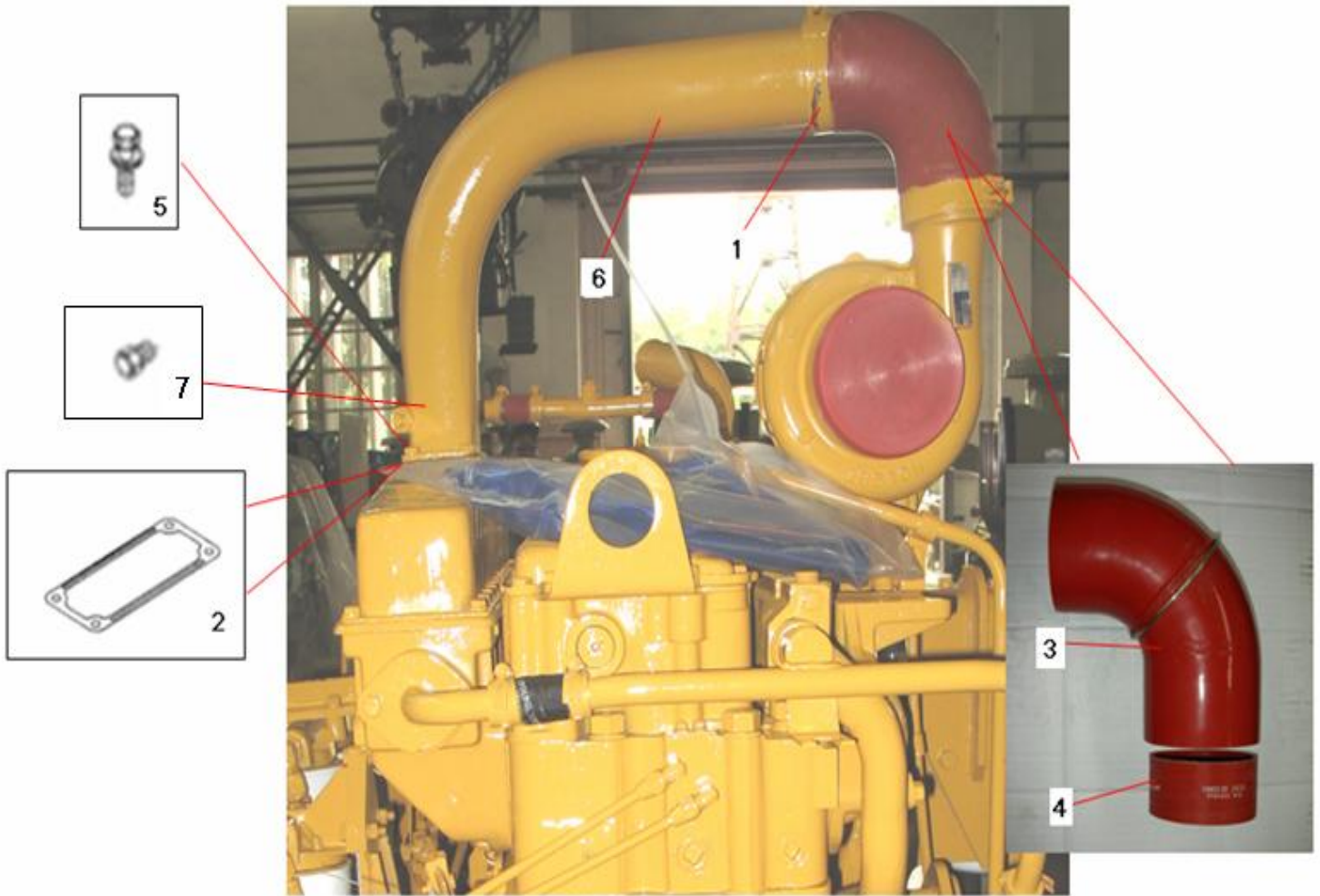
	3038456-40	EXHAUST MTG
1	109594-20	WASHER PLAIN
2	211448-20	BRACKET CRN RESIS
3	3043649-20	SCREW, HEX HEAD CAP



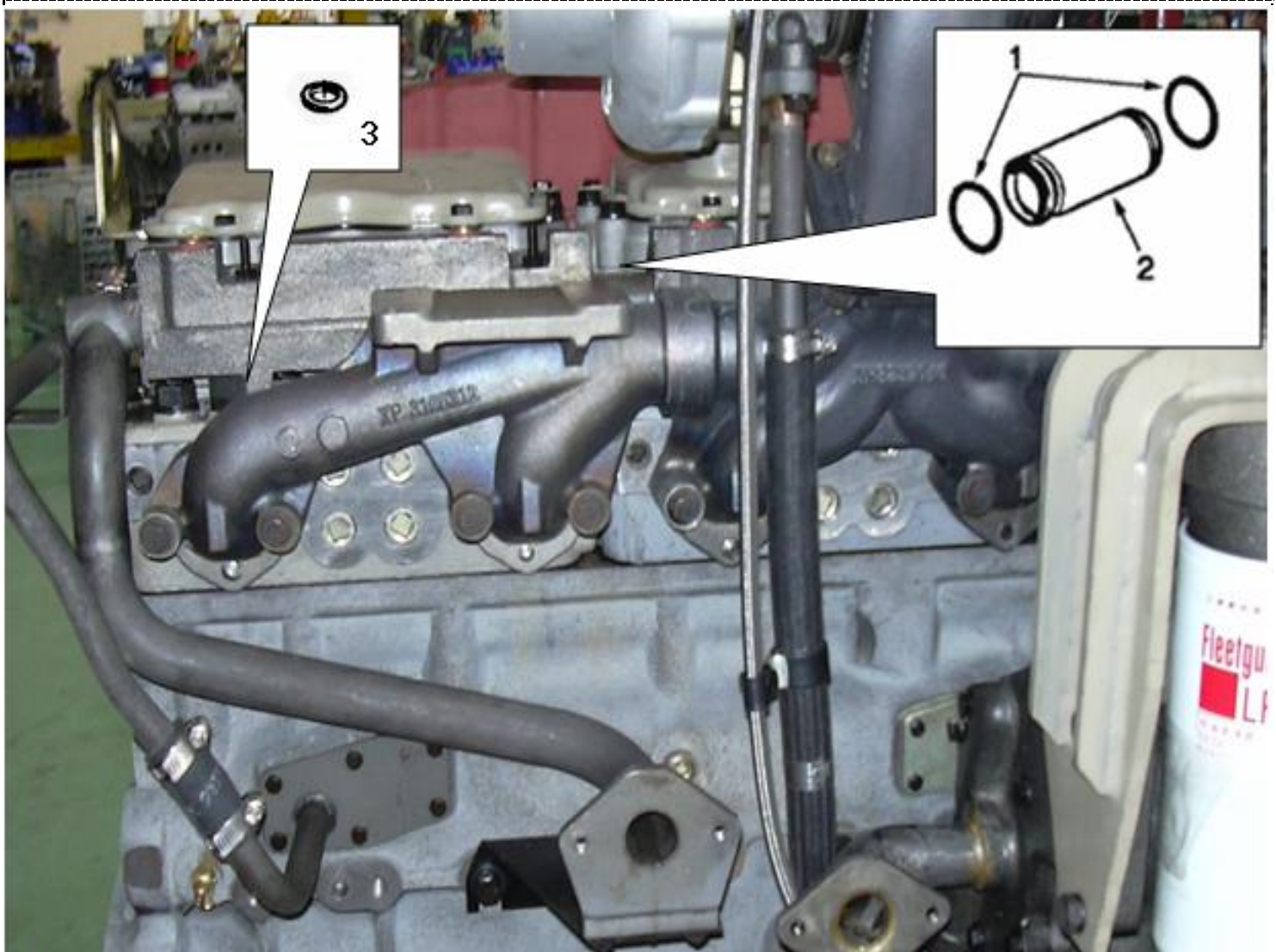
	3166005-40	TURBOCHARGER PLUMBING
5	113226-20	SCREW,HEX HEAD CAP
4	219138-20	NUT,REGULAR HEXAGON
15	67950-20	CLIP
16	69793-20	SCREW,HEX HEAD CAP
14	108722-20	CLIP
7	142429-20	ELBOW
6	209959-20	HOSE FLEXIBLE
17	3010596-20	SCREW CAPTIVE WASHER CAP
1	3037535-20	ADAPTER
2	3037537	SEAL,O RING
18	3202117-20	GASKET CONNECTION
8	4913978-20	ADAPTER,ELBOW MALE
10	4914206-20	TUBE,OIL DRAIN
11	S 205-20	NUT REGULAR HEXAGON
13	S 602-20	WASHER PLAIN
12	S 604-20	WASHER LOCK



	3260646-40	MTG AIR CROSSOVER
1	140311-20	CLAMP T BOLT
2	216487-20	GASKET
3	410190-20	HOSE ELBOW
4	3251014-20	HOSE
5	3011716-20	SCREW CAPTIVE WAS
7	S 911 B-20	PLUG PIPE
6	3326100-20	CONNECTION AIR CROSSOVER



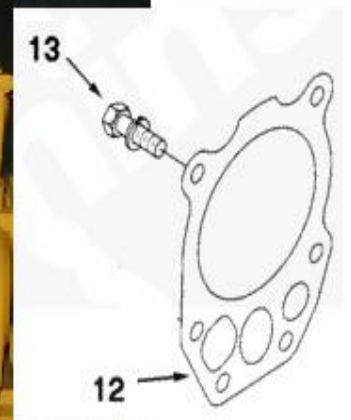
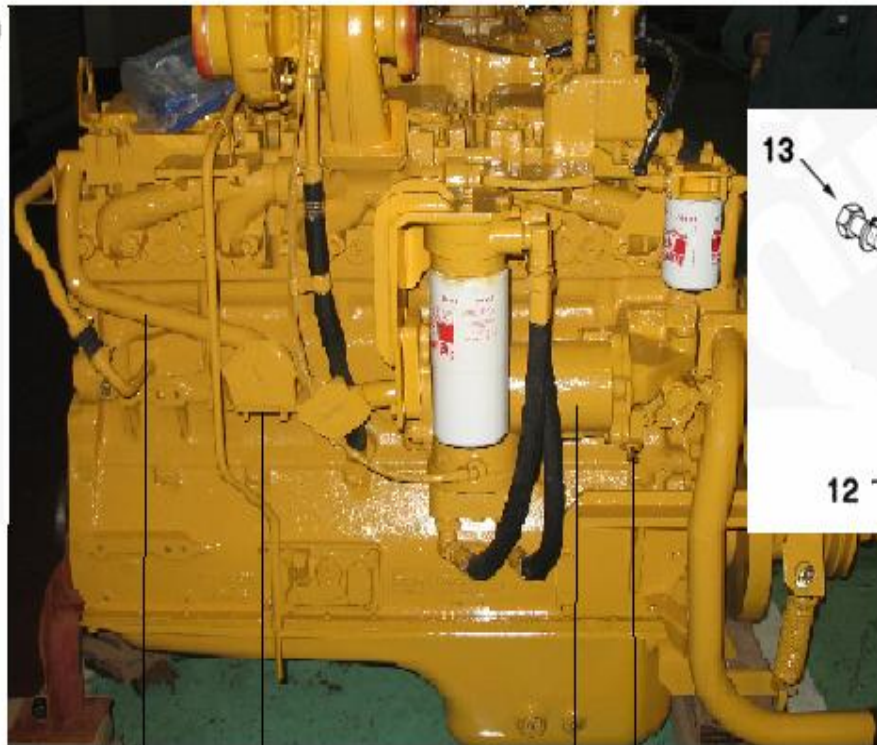
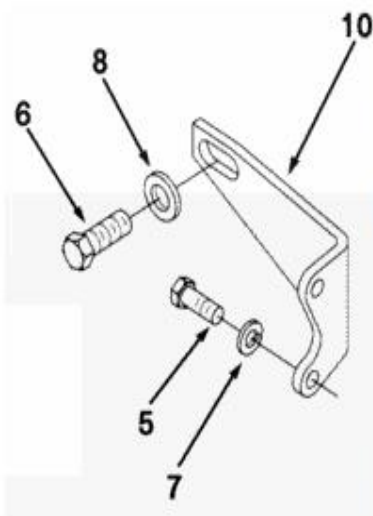
	4061554-40	MANIFOLD WATER
1	70624	SEA,O RING
2	130394-20	CONNECYION WATER BYPASS
	3008469-20	PLUG PIPE
	3010596-20	SCREW CAPTIVE WASHER CAP
3	3024709	SEAL RECTANGULAR
	4931643-20	PIPE PLUG



	TC 106	LUB OIL COOLER
4	107947-20	PECOCK
	3250936-20	GASKET FLAMGE
3	3260651-20	COOLER LUB OIL
	4061535-40	COOLER LUB OIL MTG
	43463 A	SEAL O RING
	108330-20	WASHER PLAIN
8	203310-20	WASHER PLAIN
10	210966-20	BRACE OIL COOLER
12	3008017-20	GASKET
5	3010595-20	SCREW,CAPTIVE WASHER CAP
13	3010596-20	SCREW CAPTIVE WASHER CAP
	3022589-20	SCREW CAPTIVE WASHER
2	3250955-20	BRACKET OIL COOLER
1	4061130-20	TUBE WATER TRANSF
	S 106 C-20	SCREW,HEX HEAD CAP
	S 119-20	SCREW,HEX HEAD CAP
6	S 145-20	SCREW,HEX HEAD CAP
	S 199 B-20	SCREW,HEX HEAD CAP
	S 221-20	NUT HEAVY HEXAGON

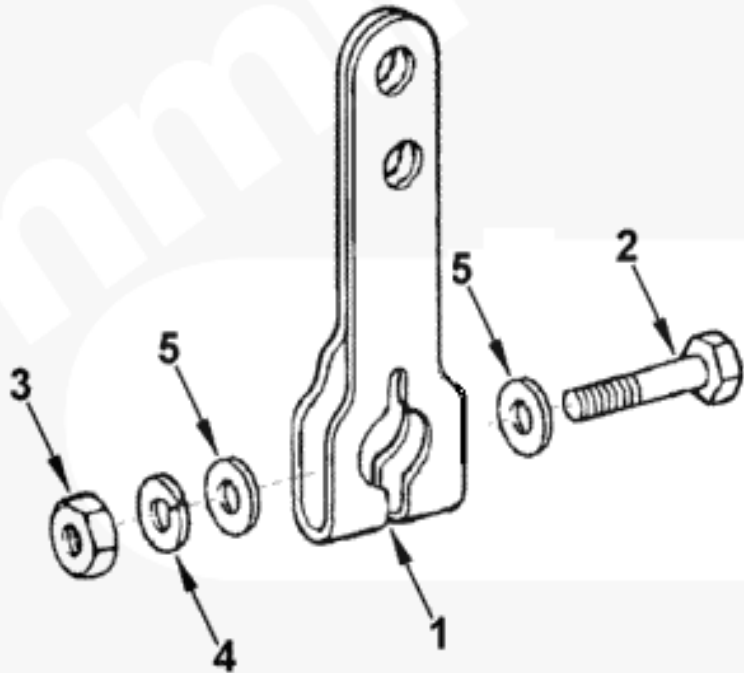
<https://vk.com/dieselinj>

7	S 604-20	WASHER LOCK
	S 605-20	WASHER LOCK
	S 608-20	WASHER LOCK

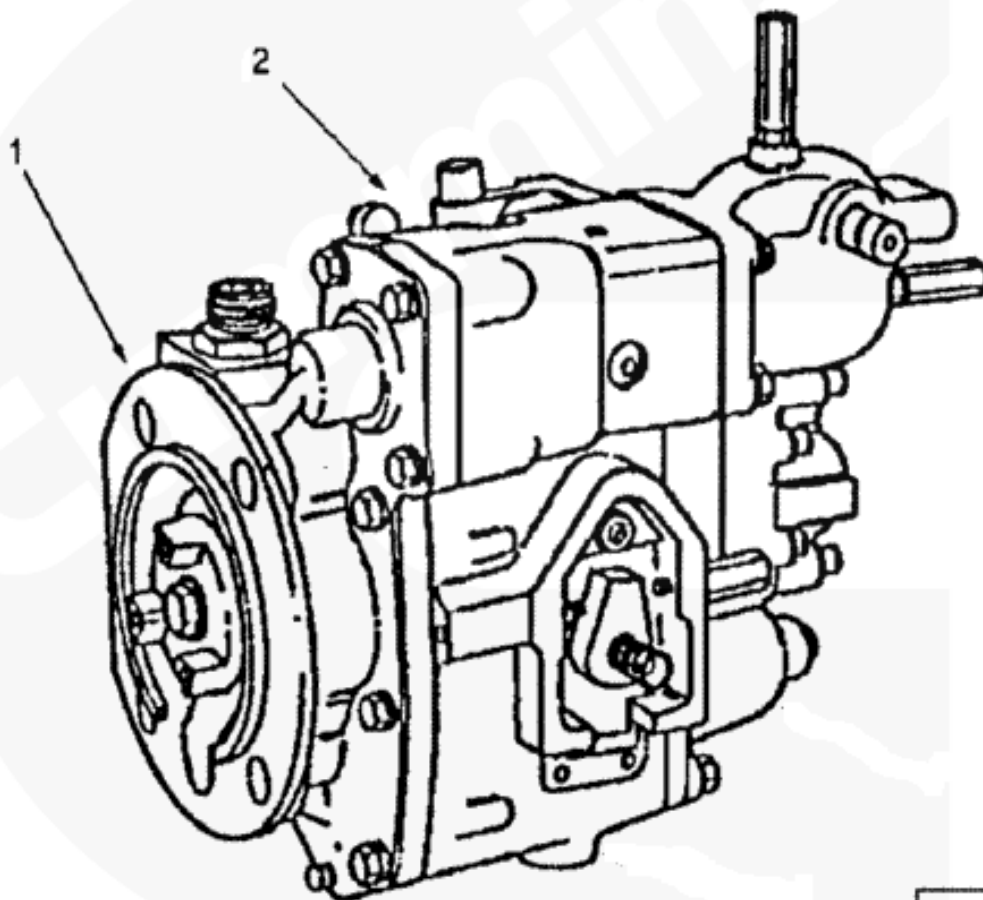


1. 2. 3. 4.

	<u>TL 8005</u>	THROTTLE LEVER
	BM73106-40	LEVER THROTTLE
1	44680-20	LEVER THROTTLE
5	70704-20	WASHER PLAIN
2	S 159 B-20	SCREW, HEX HEAD CAP
3	S 270-20	NUT REGULAR HEXAGON
4	S 600-20	WASHER LOCK

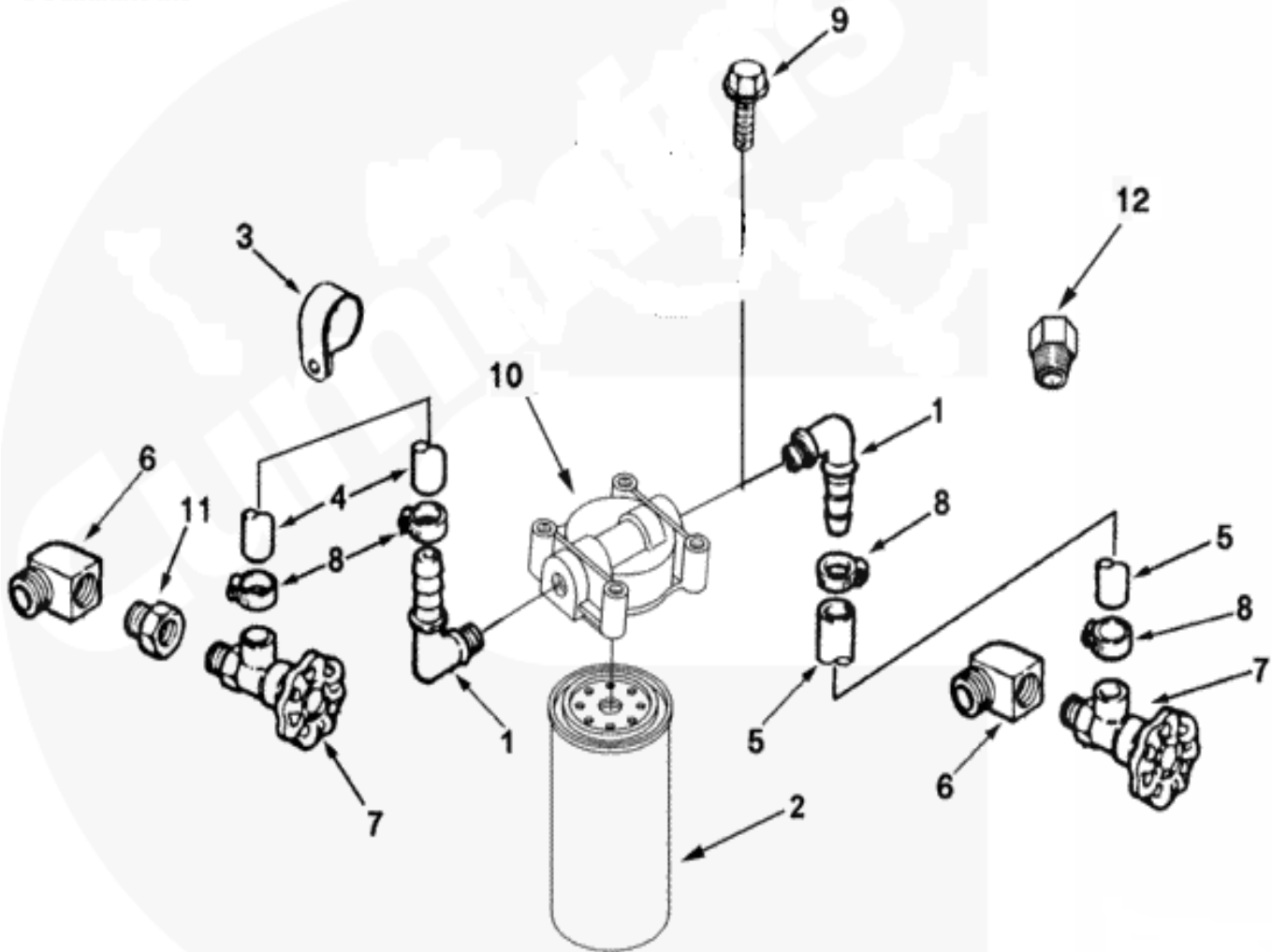


	TLN1212	FUEL, PUMP
1	4061206-20	PUMP FUEL (TLN)
2	3018453-20	VALVE, FUEL SHUTOFF

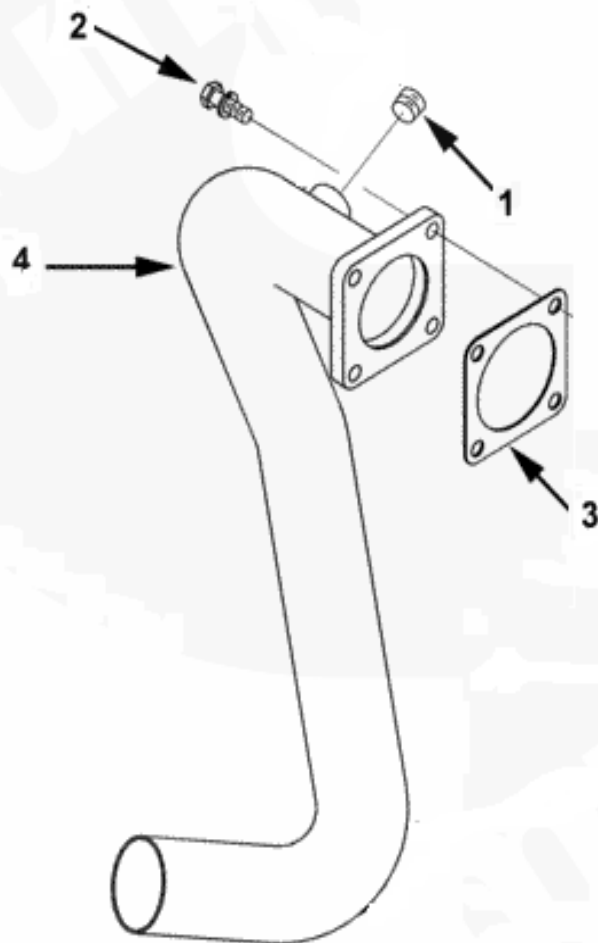


fp401gd

	WF 1119	CORROSION RESISTOR
5	179913-20	HOSE
4	179920-20	HOSE
	4915087-10	BRACKET CORROSION RESIS
3	69911 A-20	CLIP
6	70470-20	ELBOW STREET
7	179901-20	VALVE SHUTOFF
7	179901-20	VALVE SHUTOFF
8	179904-20	CLAMP HOSE
9	3010596-20	SCREW CAPTIVE WASHER CAP
11	4060794-20	ADAPTER
	AR11776-40	RESISTOR CORROSION
1	179903-20	COUPLING ELBOW HOSE
12	187317-20	ADAPTER PLAIN
	3827107-10	RESISTOR,CORROSION
10	204163-20	HEAD CORROSION RESISTOR
2	4058965-29	RESISTOR,CORROSION



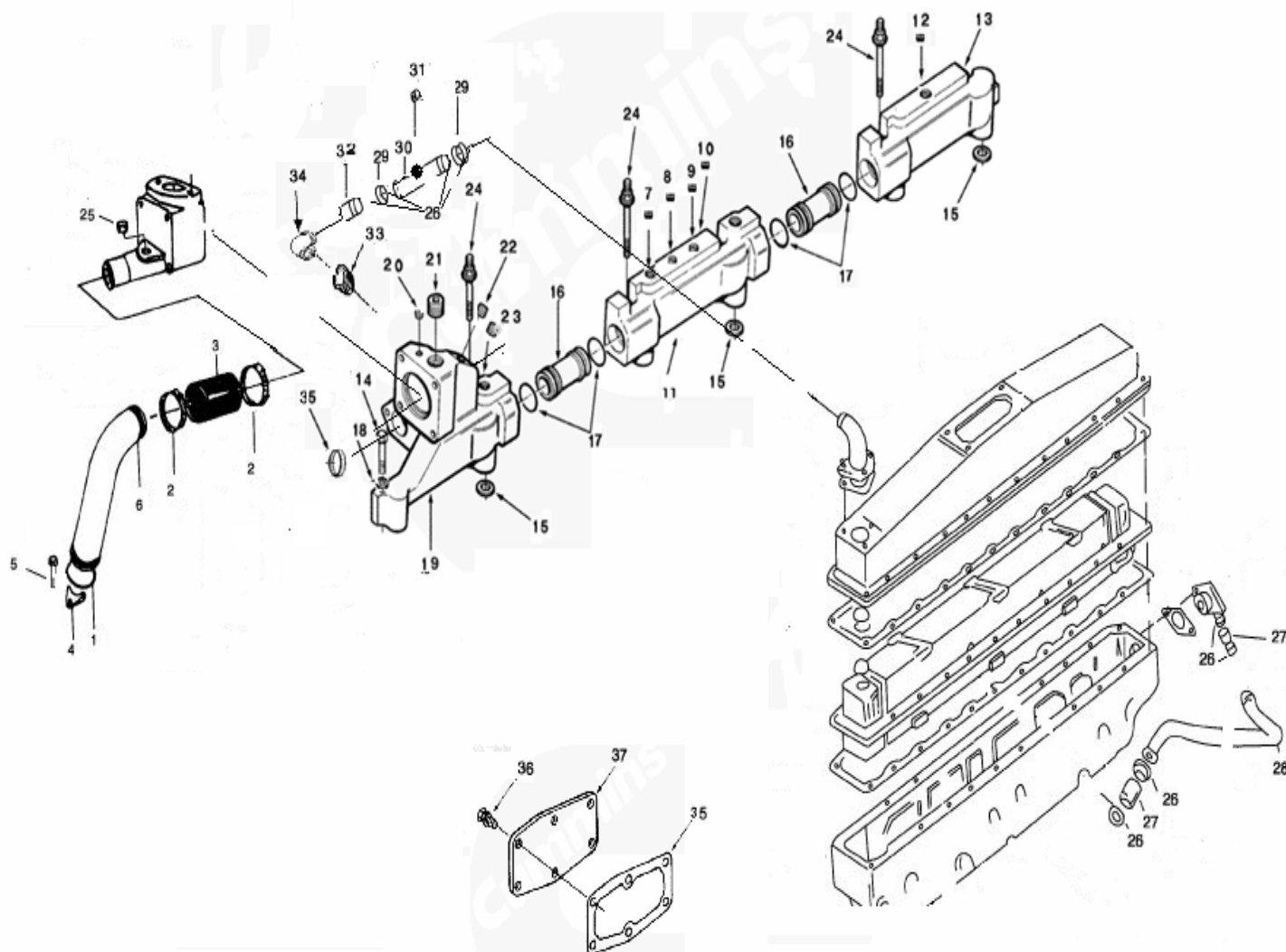
	WI 1042	MTG & CONN WATER INLET
	3419121-40	MTG & CONN WATER INLET
1	3008468-20	PLUG PIPE
2	3010596-20	SCREW CAPTIVE WASHER CAP
3	3024960-20	SHIM
4	3419048-20	CONNECTION WATER INLET



	WM 110	WATER MANIFOLD
35	204476-20	PLUG EXPANSION
25	3013786-20	PLUG PIPE
	3024383-40	PIPE WATER BYPASS
1	43463 A	SEAL O RING
2	43828 B-20	CLAMP HOSE
3	102522-20	HOSE
4	214617-20	CLAMP TUBE
5	3022589-20	SCREW CAPTIVE WASHER
6	4915201-20	TUBE WATER BYPASS
	3260657-40	COVER WATER HEADE
35	3069098-20	GASKET COVER PLATE
36	3011342-20	SCREW,CAPTIVE WASHER CAP
37	3250953-20	COVER WATER HEADE
	3260658-40	TUBE REAR WATER T
26	43828 A-20	CLAMP,HOSE
27	116146-20	HOSE
28	3250954-20	TUBE WATER TRANST
	3260659-40	TUBE WATR CROSSO
26	43828 A-20	CLAMP,HOSE

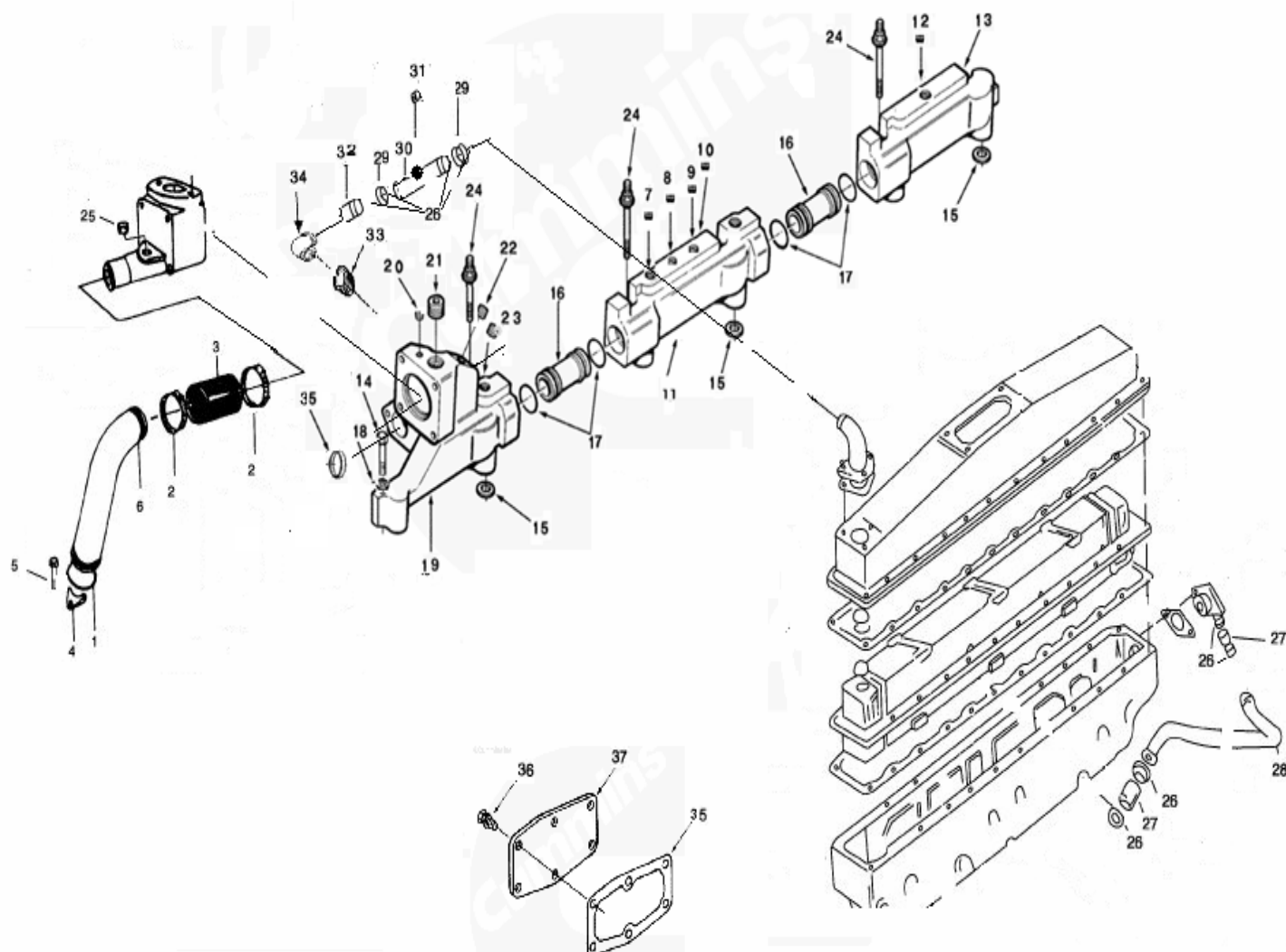


32	69904-20	NIPPLE PLAIN PIPE
31	3008466-20	PLUG PIPE
29	3056138-20	HOSE
30	3326092-20	TUBE WATER TRANSF
33	S 932 B-20	NIPPLE PIPE
34	S 987-20	ELBOW PLAIN FEMALE



	4061513-40	WATER MANIFOLD
7	3008469-20	PLUG PIPE
8	3013786-20	PLUG PIPE
10	4060795-40	PLUG THREADED
	8265-20	WASHER PLAIN
	4060796-20	PLUG THREADED
11	4060823-20	WATER MANIFOLD
9	4931643-20	PIPE PLUG
	4061514-40	WATER MANIFOLD
13	4060824-20	WATER MANIFOLD
12	4931643-20	PIPE PLUG
	4061518-40	MTG WATER MANIFOLD
14	177020-20	SCREW HEXAGON HEAD CAP
15	3024709	SEAL RECTANGULAR

16	3049174-20	TUBE WATER TRANSFER
24	3049175-20	SCREW CAPTIVE WASHER CAP
17	3050667	SEAL O RING
18	S 604-20	WASHER LOCK
	4915129-10	WATER MANIFOLD
20	3008465-20	PLUG PIPE
21	3008469-20	PLUG PIPE
22	3013786-20	PLUG PIPE
19	4060822-20	WATER MANIFOLD
23	4931643-20	PIPE PLUG



	WO 1038	OUT WATER MANIFOLD
	3010870-40	MTG THERMOSTAT HOUSING
5	208128-20	SHIM
6	3010597-20	SCREW CAPTIVE WASHER CAP
7	3013786-20	PLUG PIPE
4	3076489-20	THERMOSTAT
	3260656-40	CONNECTION WATER OUTLET
1	3010596-20	SCREW CAPTIVE WASHER CAP
2	3250952-20	ADAPTER
3	4914260-20	WASHER

<https://vk.com/dieselinj>

11	S 602-20	WASHER PLAIN
	AR10124-40	HOUSING THERMOST
9	186780-20	SEAL THERMOSTAT
10	3013612-20	HOUSING THERMOST TA

